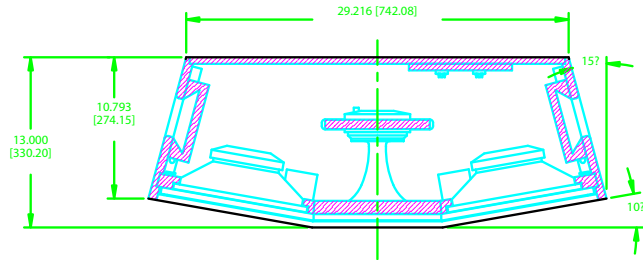
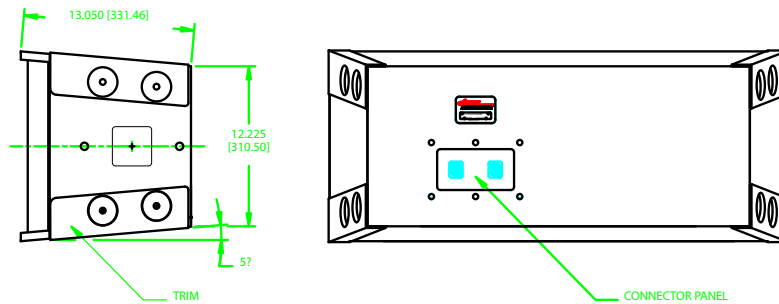


ALA-3 LOUDSPEAKER

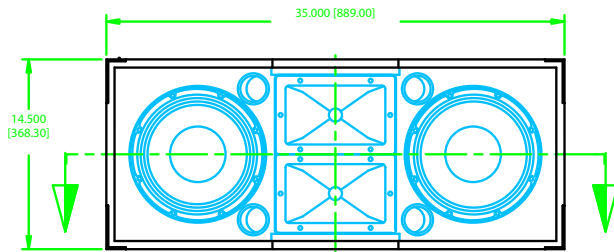
OVERHEAD SECTION VIEW



FRONT VIEW



FRONT VIEW
W/GRILL REMOVED



NOTE: DIMENSIONS ARE IN INCHES & [MILLIMETERS]

| | | | | |
|---|--------------------------|-------------|-------------------|------------------------------|
| <small>INFORMATION CONTAINED IN THIS DOCUMENT IS THE SOLE PROPERTY OF APOGEE SOUND INTERNATIONAL, LLC. REPRODUCTION OF ALL OR ANY PART OF THIS DOCUMENT WITHOUT WRITTEN CONSENT FROM APOGEE SOUND INTERNATIONAL, LLC IS PROHIBITED.</small> | NOT TO SCALE | | | |
| | SCALE: 1/4 | DRAWN: WWE | 10/4/00 | |
| | PRODUCT NUMBER: 101-1300 | REVISION: A | DRAWING NO. ZALA3 | ALA-3 LINE ARRAY LOUDSPEAKER |
| | SIZE: D | | | |

Free Manuals Download Website

<http://myh66.com>

<http://usermanuals.us>

<http://www.somanuals.com>

<http://www.4manuals.cc>

<http://www.manual-lib.com>

<http://www.404manual.com>

<http://www.luxmanual.com>

<http://aubethermostatmanual.com>

Golf course search by state

<http://golfingnear.com>

Email search by domain

<http://emailbydomain.com>

Auto manuals search

<http://auto.somanuals.com>

TV manuals search

<http://tv.somanuals.com>