

# Owner's Operating Service Instruction Manual

10¢

Model Nos.  
114-030A  
114-090A

- ASSEMBLY
- OPERATION
- REPAIR PARTS

## 19" & 22" ROTARY MOWERS

### WARRANTY

For one year from date of purchase, MTD Products Inc will replace for the original purchaser, free of charge, F.O.B. factory or authorized service firm, any part or parts found to be defective in material or workmanship. All transportation charges on parts submitted for replacement under this warranty must be paid by the purchaser. This warranty does not include replacement of parts which become inoperative through misuse, excessive use, accident, neglect, improper maintenance or alterations by unauthorized persons. This warranty does not include the engine, motor, battery, battery charger or any component parts thereof. For service on these units, refer to the applicable manufacturer's warranty.

The above warranty will apply only to the original owner and will be effective only if the warranty card has been properly processed. It will not apply where the unit has been used commercially.

Warranty service is available through your local authorized service dealer or distributor. **UNDER NO CIRCUMSTANCES WILL THE RETURN OF A COMPLETE UNIT BE ACCEPTED BY THE FACTORY UNLESS PRIOR WRITTEN PERMISSION HAS BEEN EXTENDED.**

**MTD PRODUCTS INC** • 5389 WEST 130th STREET • P. O. BOX 2741 CLEVELAND OHIO 44111

PRINTED IN U.S.A.

FORM NO. 770-4851

# **I M P O R T A N T**

## **SAFE OPERATION PRACTICES FOR WALK-BEHIND MOWERS**

### **TRAINING**

1. Read the Operating and Service Instruction Manual carefully. Be thoroughly familiar with the controls and the proper use of the equipment.
2. Never allow children to operate a power mower.
3. Keep the area of operation clear of all persons, particularly small children and pets.

### **PREPARATION**

1. Thoroughly inspect the area where the equipment is to be used and remove all stones, sticks, wire, bones and other foreign objects.
2. Do not operate equipment when barefoot or wearing open sandals. Always wear substantial footwear.
3. Check the fuel before starting the engine. Do not fill the gasoline tank indoors, when the engine is running, or while the engine is still hot. Wipe off any spilled gasoline before starting the engine.
4. Disengage the self-propelled mechanism or drive clutch on units so equipped before starting the engine (motor).
5. Never attempt to make a wheel adjustment while the engine (motor) is running.
6. Mow only in daylight or in good artificial light.
7. Never operate the equipment in wet grass. Always be sure of your footing; keep a firm hold on the handle and walk, never run.

### **OPERATION**

1. Do not change the engine governor settings or overspeed the engine.
2. Do not put hands or feet near or under rotating parts. Keep clear of the discharge opening at all times.
3. Stop the blade(s) when crossing gravel drive, walks or roads.
4. After striking a foreign object, stop the engine (motor), remove the wire from spark plug, thoroughly inspect the mower for any damage, and repair the damage before restarting and operating the mower.

5. If the equipment should start to vibrate abnormally, stop the engine (motor) and check immediately for the cause. Vibration is generally a warning of trouble.
6. Stop the engine (motor) whenever you leave the equipment, before cleaning the mower housing, and when making any repairs or inspections.
7. When cleaning, repairing or inspecting, make certain the blade and all moving parts have stopped. Disconnect the spark plug wire, and keep the wire away from the plug to prevent accidental starting.
8. Do not run the engine indoors.
9. Shut the engine (motor) off and wait until the blade comes to a complete stop before removing the grass catcher or unclogging chute.
10. Mow across the face of slopes, never up-and-down. Exercise extreme caution when changing direction on slopes. Do not mow excessively steep slopes.
11. Always disconnect electric mowers (line operated) before cleaning, repairing or adjusting.
12. Never operate mower without proper guards, plates or other safety protective devices in place.
13. Keep washout ports and other mower-housing service openings closed when mowing.

### **MAINTENANCE AND STORAGE**

1. Check the blade and engine mounting bolts at frequent intervals for proper tightness.
2. Keep all nuts, bolts, and screws tight to be sure the equipment is in safe working condition.
3. Never store the equipment with gasoline in the tank inside of a building where fumes may reach an open flame or spark. Allow the engine to cool before storing in any enclosure.
4. To reduce fire hazard, keep the engine free of grass, leaves, or excessive grease.
5. Check the grass catcher bag frequently for wear or deterioration. Replace with new bag for safety protection.

## ASSEMBLY

Your new mower is shipped completely assembled with the exception of the handle.

1. Remove lawn mower and all parts from carton. Make certain that all loose parts and literature are removed from carton before carton is discarded.
2. Extend throttle control assembly, which is attached to rear of mower and place on floor.

**CAUTION:** Do not bend or kink control wire.

### NOTE

Some engines have manual friction control on the engine; these require no remote throttle control.

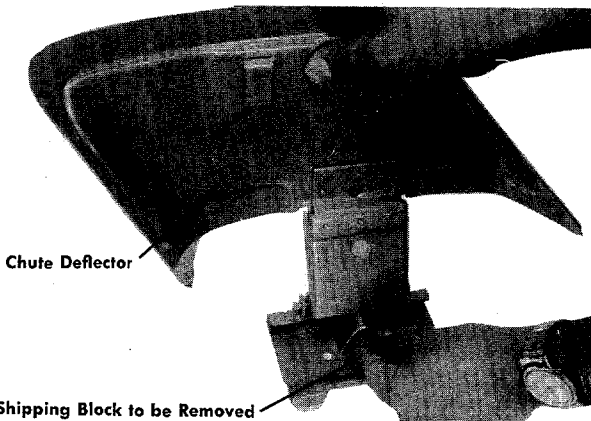
3. a. Snap lower handle into position on two lugs which extend from either side on the rear of the deck.  
b. Assemble the two upper handle parts with cap screws and locknuts provided in parts bag. The yellow cap screw should be used to attach throttle control assembly to upper handle as shown in diagram. Do not tighten nuts.  
c. Attach upper handle assembly to lower handle with cap screws and locknuts. Tighten all nuts.  
d. Secure control wire to lower handle with cable clips.
4. Check all nuts and bolts for correct tightness.

### NOTE

It may be necessary to bend the ends of the lower handle inward slightly to assure a snug fit against the deck mounting area.

### CAUTION

Please note that the chute deflector on your mower is in an upright position. It is held in that position by a shipping block. This block is used for shipping purposes only. It must be removed and discarded before your mower is put into operation.



## OPERATION

### NOTE

For shipping purposes your mower is set with the wheels in a low cutting height position. For best results, raise the cutting position until it is determined which height is best for your lawn. See adjustments.

1. Service engine with gas and oil. See engine manual packed with lawn mower for complete instructions for the care and maintenance of engine. **READ DIRECTIONS CAREFULLY.**
2. When ready to start engine, place throttle control lever in "START" position and start engine in accordance with instructions in engine manual. After engine starts, move throttle control lever to desired engine speed. The engine is stopped by placing control lever in the "STOP" position.
3. Be sure that lawn is clear of stones, sticks, wire or other objects which could damage lawn mower or engine. For best results and to insure more even grass distribution, do not mow when lawn is excessively wet.

## ADJUSTMENTS

### CAUTION

Do not at any time make any adjustment to lawn mower without first stopping engine and disconnecting spark plug wire.

### EASY CUTTING HEIGHT( OPTIONAL)

An adjusting plate and thumb lever at each wheel position provides cutting height adjustment. Each adjusting plate has five holes. Height of cut will be changed when the thumb lever is moved from one hole to another. Simply depress thumb lever towards wheel and move wheel and lever assembly to desired position. All wheels must be positioned in relative height of cut positions.

### STANDARD CUTTING HEIGHT

Adjustment may be made by removing and moving wheel studs to desired position. Cutting heights will be raised as wheel studs are moved to a lower hole and lowered as wheel studs are moved to a higher hole in the deck. All wheel studs must be mounted in a relative position to the deck.

## REMOTE THROTTLE (OPTIONAL)

If adjustment becomes necessary, the throttle control wire assembly can be reset as follows:

1. Loosen, but do not remove, screw securing throttle control wire assembly at engine.
2. Move throttle control lever on handle to "FAST" position.
3. Move lever, to which control wire is fastened at engine, to full open position and retighten screw to secure throttle control wire assembly.

## LUBRICATION

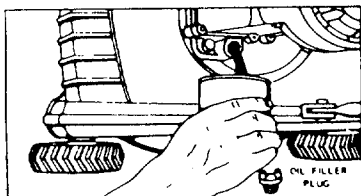
**IMPORTANT:** Always stop engine and disconnect spark plug wire before cleaning, lubricating or doing any kind of work on lawn mower.

**Wheels** — Wheel bearings require no lubrication.

**Throttle (Optional)**—Periodically lubricate throttle control lever and throttle wire assembly with a few drops of light oil (SAE No. 10 or 20) for ease of operation.

**Protective Shield** — The pivot points on the protective shield should be lubricated periodically with light oil to prevent any rust or binding up.

### **NOTE: FILL AND DRAIN OIL FROM OIL FILL PLUG.**



Always disconnect spark plug cable during repairs, refueling or changing oil. Engine oil may be drained through oil filler opening by tilting the mower on its side. Change oil after first 5 hours of operation while engine is warm. Thereafter, change oil every 25 hours of operation while engine is warm.

**Chute Deflector** — The torsion spring and pivot point should be lubricated periodically with light oil to prevent any rust or binding up. Deflector should work freely.

## MAINTENANCE

**Cutting Blade** — The blade may easily be removed for grinding or replacement as follows:

1. Remove bolt and lockwasher holding blade and blade adapter to engine crankshaft.
2. Remove blade and blade adapter from engine crankshaft.
3. Remove two bolts, lockwashers and nuts holding blade to blade adapter (if necessary).

When sharpening blade, follow the original angle of grind as a guide. It is extremely important that each cutting edge receives an equal amount of grinding to prevent an unbalanced blade. An unbalanced blade will cause excessive vibration when rotating at high speeds and may cause damage to the mower. Upon reassembly, make certain all parts are assembled properly and tightened securely.

**NOTE:** To insure safe operation of your unit, all nuts and bolts must be checked periodically for correct tightness.

**Deck** — The underside of the mower deck should be cleaned after each period of use as grass clippings, leaves, dirt and other matter will accumulate. This accumulation of grass clippings, etc., is undesirable as it will invite rust and corrosion and may cause an uneven discharge of grass clippings at the next cutting.

The deck may be cleaned by tilting the mower forward or on its side and scraping clean with a suitable tool or by washing with a stream of water from a garden hose.

## **CAUTION**

Do not direct the stream of water at a hot engine, as damage to the engine may result.

**Storage** — The following steps should be taken to prepare lawn mower for storage:

1. Clean and lubricate mower thoroughly as described in the preceding instructions.
2. Refer to engine manual for correct engine storage instructions.
3. Coat mower's cutting blade with chassis grease to prevent rusting.
4. Place blocks under deck to raise tires clear of floor.
5. Store mower in a dry, clean area.

## USING YOUR ROTARY MOWER

For best results, do not cut wet grass because it tends to stick to underside of the mower thus preventing proper discharge of grass clippings. If wet grass must be cut, reduce walking speed to help distribute the clippings more effectively.

New grass should be treated as wet grass, otherwise a normal walking speed is about the right pace for efficient mowing. The best mowing pattern is one that allows the clippings to discharge towards the uncut part of the lawn. This permits recutting of the clippings to further pulverize them. When cutting high weeds, discharge towards cut portion, then recut at right angles to first direction.

Lawn should be cut in the fall as long as there is growth.

**NOTE**

The manufacturer DOES NOT recommend the use of any accessory on this rotary mower other than those manufactured by MTD products Inc.

GRASS CATCHER Model No. 194-003A is available as optional equipment for the mowers shown in this manual.

**WARNING:**

1. The mower should not be operated without the entire grass catcher or chute deflector in place.
2. The mower should not be operated without the protective shield on the rear of the deck in place.

**NOTE:**

Under normal usage bag material is subject to wear and should be checked periodically. Be sure any replacement bag complies with the mower manufacturer's recommendations.

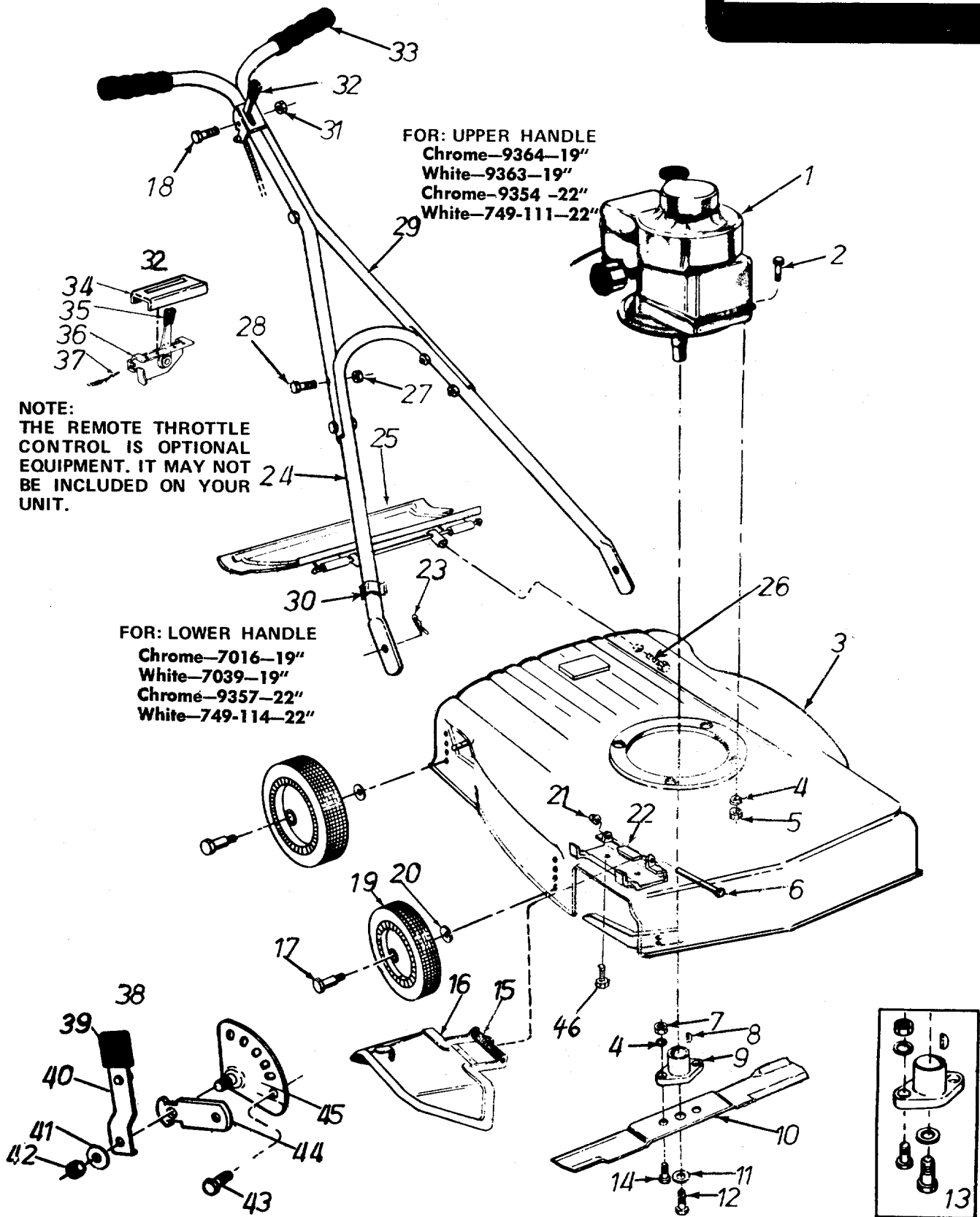
For replacement bags, use only factory authorized replacement bag No. 764-119.

**★ IMPORTANT**

After striking a foreign object, stop the engine (motor), remove wire from spark plug. Thoroughly inspect the mower for any damage, and repair the damage before restarting and operating the mower.

# 114-030A 114.090A

IF YOU WRITE TO US ABOUT THIS ARTICLE  
OR IF YOU ORDER REPLACEMENT PARTS AL-  
WAYS MENTION THIS MODEL & SERIAL NO  
MODEL



**PARTS LIST FOR MODEL 114-030A AND 114-090A**

REF. NO.	PART NO.	COLOR CODE	DESCRIPTION	NEW PART
1	—		Engine	
2	710-158		Hex Hd. Cap Scr. 5/16-24 x 1¼" Lg.*	
3	11448—463		Deck Assembly—Complete 114-030A	
	12275—463		Deck Assembly—Complete 114-090A	
4	736-119		Spring Lockwasher 5/16" Scr.*	
5	712-123		Hex Nut 5/16-24" Thd.*	
6	711-555		Pivot Pin	
7	712-123		Hex Nut 5/16-24" Thd.*	
8	714-365		#6 Hi-Pro-Key 5/32 x ⅝" Dia.	
9	10769		Blade Adapter Kit	
10	742-122		Blade 19" 114-030A	
	742-125		Blade 22" 114-090A	
11	736-217		Spring Lockwasher ⅜" Scr. Heavy Duty	
12	710-459		Hex Hd. Cap Scr. ⅜-24 x 1½" Lg.—Heat Treated	
13	10769		Blade Adapter Kit	
14	710-117		Hex Hd. Cap Scr. 5/16-24 x 1" Lg.—Heat Treated	
15	732-253		Torsion Spring	
16	11680—463		Chute Deflector Assembly	
17	738-213		Axle Bolt	
	738-102		Axle Bolt (Use with Height Adjuster)†	
18	710-606		Hex Hd. Cap Scr. ¼-20 x 1½" Lg.*	
19	734-480		Wheel Assembly—Complete 114-030A	
	734-512		Wheel Assembly—Complete 114-090A	
20	736-105		Belleville Washer ⅜" Scr.	
21	726-106		Push-on Flange Palnut	
22	11130—463		Adapter Plate	
23	714-104		Hair Pin Cotter	
24	7039		Lower Handle 114-030A	
	749-114		Lower Handle 114-090A	
25	11191—463		Protective Shield Ass'y.—Complete 114-030A	
	11190—463		Protective Shield Ass'y.—Complete 114-030A (For units with easy height adjuster)	
	11193—463		Protective Shield Ass'y.—Comp. 114-090A	
26	710-567		Hex Hd. Cap Scr. ¼-18 x .62" Lg.	
27	712-107		Hex Center Locknut ¼-20 Thd.	
28	710-106		Hex Hd. Cap Scr. ¼-20 x 1¼" Lg. 114-030A*	
	710-606		Hex Hd. Cap Scr. ¼-20 x 1.50" Lg. 114-090A	
29	9363		Upper Handle 114-030A	
	749-111		Upper Handle 114-090A	
30	746-145		Cable Clip 114-030A	
	746-128		Cable Clip 114-090A	
31	712-107		Hex Center Locknut ¼-20 Thd.	
32	11609		Throttle Control Ass'y.—Complete	
33	7071		Grip 114-030A	
	720-157		Grip 114-090A	
34	731-180		Throttle Control—Cover	
35	7470		Throttle Control—Knob	
36	11598		Throttle Control—Bracket Assembly	
37	746-229		Conduit and Wire	
38	10951		Height Adjuster Ass'y.—Complete R.H.†	
	10950		Height Adjuster Ass'y.—Complete L.H.†	
39	7520		Knob†	
40	10949		Spring Lever Assembly with Knob†	
41	736-219		Spring Washer†	
42	712-116		Elastic Locknut ⅜-24 Thd.†	
43	710-209		Sems Hex Hd. Cap Scr. ⅜-16 x ⅝" Lg.†	
44	10937		Pivot Bar†	
45	10934		Index Plate Assembly—R.H.†	
	10935		Index Plate Assembly—L.H.†	
46	710-289		Hex Scr. ¼-20 x .50" Lg.*	
	11680—463		Chute Deflector Ass'y. Complete (Includes Ref. Nos. 6, 15, 16, 21, 22)	

\*For faster service obtain standard nuts and bolts locally. If these items cannot be obtained locally, order by part number and size as shown on the parts list.

463—Top Flite Red—When ordering parts if color or finish is important, use the appropriate color code shown at left (e.g. Top Flite Red Finish—11448 (463)).

†Optional Equipment

**NOTE:** This instruction manual covers various models and all accessories shown do not necessarily apply to your model tiller. The engine is not under warranty by the tiller manufacturer.

If repairs or service is needed on the engine, please contact your nearest authorized engine service outlet. Check the "Yellow Pages" of your telephone book under "Engines-Gasoline."



# PARTS INFORMATION

**DEFECTIVE OR MISSING PARTS** must be reported to the factory immediately. Such claims must include your model number and date of purchase.

## POWER EQUIPMENT PARTS AND SERVICE

Parts and service for all MTD manufactured power equipment are available through the authorized service firms listed below. All orders should specify the model number of your unit, parts numbers, description of parts and the quantity of each part required.

### A 1 Engine & Mower Co.

327 East 9th Street  
Salt Lake City, Utah 84102

### American Electric Ignition Co.

124 N. W. 8th Street  
Oklahoma City, Oklahoma 73102

### Auto Electric & Carburetor Co.

2525 4th Avenue, S.  
P. O. Box 1948  
Birmingham, Alabama 35233

### Automotive Equipment Service Co.

3117 Holmes Street  
Kansas City, Missouri 64109

### Bailey's Rebuild Inc.

1325 E. Madison Street  
Seattle Washington 98102

### Bleckrie, Inc.

7900 Lorain Avenue  
Cleveland, Ohio 44102

### Brown Equipment Distributor Inc.

110 Beech Street  
Corydon, Indiana 47112

### Bullard Supply

2409 Commerce Street  
Houston, Texas 77003

### Carl A. Anderson Co.

623 S. 16th Street  
Omaha, Nebraska 68102

### Catto & Putty, Inc.

P. O. Box 2408  
510 Soledad Street  
San Antonio, Texas 78205

### Center Supply Company

6867 New Hampshire Avenue  
Takoma Park, Maryland 20012

### Dixie Sales Company

P. O. Box 1408  
327 Battleground Avenue  
Greensboro, North Carolina 27402

### East Point Cycle & Key Shop

1617 Whiteway  
East Point, Georgia 30044

### Gamble Distributors

West End Avenue  
Carthage, New York 13619

### Garden Equipment Co., Inc.

6600 Cherry Avenue  
Long Beach, California 90805

### Gardenville Supply, Inc.

Pipersville, Pennsylvania 18947

### Henry W. O'Neil & Assoc., Inc.

410 North Goodman Street  
Rochester, New York 14609

### Henzler, Inc.

2015 Lemay Ferry Road  
St. Louis, Missouri 63125

### Kenton Supply

8216 North Denver Avenue  
Portland, Oregon 97217

### Kimber's Inc.

115 W. Geddes St.  
Syracuse, New York 13204

### The Lawnmower Shop

1340 El Camino Real  
San Carlos, California 94070

### Marr Brothers

423 E. Jefferson  
Dallas, Texas 75203

### Mathews Auto Electric Co.

420 East 2nd Street  
Tulsa Oklahoma 74120

### McClure Lawn & Garden Supply

1114 Lexington Avenue  
Mansfield, Ohio 44907

### Memphis Cycle & Supply Co.

421 Monroe Avenue  
Memphis Tennessee 38103

### Morton B. Collins Co.

300 Birnie Avenue  
Springfield, Massachusetts 01107

### Moz-All of Florida, Inc.

365 Greco Avenue  
Coral Gables, Florida 33146

## BRIGGS & STRATTON, TECUMSEH AND PEERLESS PARTS AND SERVICE

Briggs & Stratton, Tecumseh and Peerless parts and service should be handled by your nearest authorized engine service firm. Check the yellow pages of your telephone directory under the listing *Engines — Gasoline*, Briggs & Stratton or Tecumseh Lauson — Power Products.

### National Central, Div. of

Joe Sterling, Inc.  
Drawer "D" 687 Seville Rd.  
Wadsworth, Ohio 44281

### Parts & Sales Inc.

2101 Industrial Pkwy.  
Elkhart, Indiana 46514

### Power Equipment Distributor

36463 So. Gratiot Avenue  
Mt. Clemens, Michigan 48043

### Power Lawn & Garden Equip. Co.

2551-2571 J. F. Kennedy Road  
Dubuque, Iowa 52001

### Radco Distributors

2403 Market Street  
P. O. Box 3216  
Jacksonville, Florida 32209

### Raub Supply Company

James & Mulberry Sts.  
Lancaster, Pennsylvania 17604

### Richmond Battery & Ignition

P. O. Box 25369 — 957 Myers St.  
Richmond, Virginia 23260

### Smith Hardware Company

515 N. George Street  
Goldsboro, North Carolina 27530

### South Denver Lawn Equip. Co.

527 West Evans  
Denver, Colorado 80223

### Suhren Engine

8330 Earhart Blvd.  
New Orleans, Louisiana 70118

### Sutton's Lawn Mower Shop

Route 4, Box 343  
North Little Rock, Arkansas 72117

### Warner Equipment

7520 Lyndale Avenue, So.  
Minneapolis, Minnesota 55423

### Woodson Sales & Service

1702 North Sylvania  
Ft. Worth, Texas 76111

## WARRANTY PARTS AND SERVICE POLICY

The purpose of warranty is to protect the customer from defects in workmanship and materials, defects which are NOT detected at the time of manufacture. It does not provide for the unlimited and unrestricted replacement of parts. Use and maintenance are the responsibility of the customer. The manufacturer cannot assume responsibility for conditions over which it has no control. Simply put, if it's the manufacturer's fault, it's the manufacturer's responsibility; if it's the customer's fault, it's the customer's responsibility.

### CLAIMS AGAINST THE MANUFACTURER'S WARRANTY INCLUDES

1. Replacement of Missing Parts on new equipment.
2. Replacement of Defective Parts within the warranty period.
3. Repair of Defects within the warranty period.

All claims MUST be substantiated with the following information:

1. Model Number of unit involved.
2. Date unit was purchased or first put into service.
3. Date of failure.
4. Nature of failure.



## Free Manuals Download Website

<http://myh66.com>

<http://usermanuals.us>

<http://www.somanuals.com>

<http://www.4manuals.cc>

<http://www.manual-lib.com>

<http://www.404manual.com>

<http://www.luxmanual.com>

<http://aubethermostatmanual.com>

Golf course search by state

<http://golfingnear.com>

Email search by domain

<http://emailbydomain.com>

Auto manuals search

<http://auto.somanuals.com>

TV manuals search

<http://tv.somanuals.com>