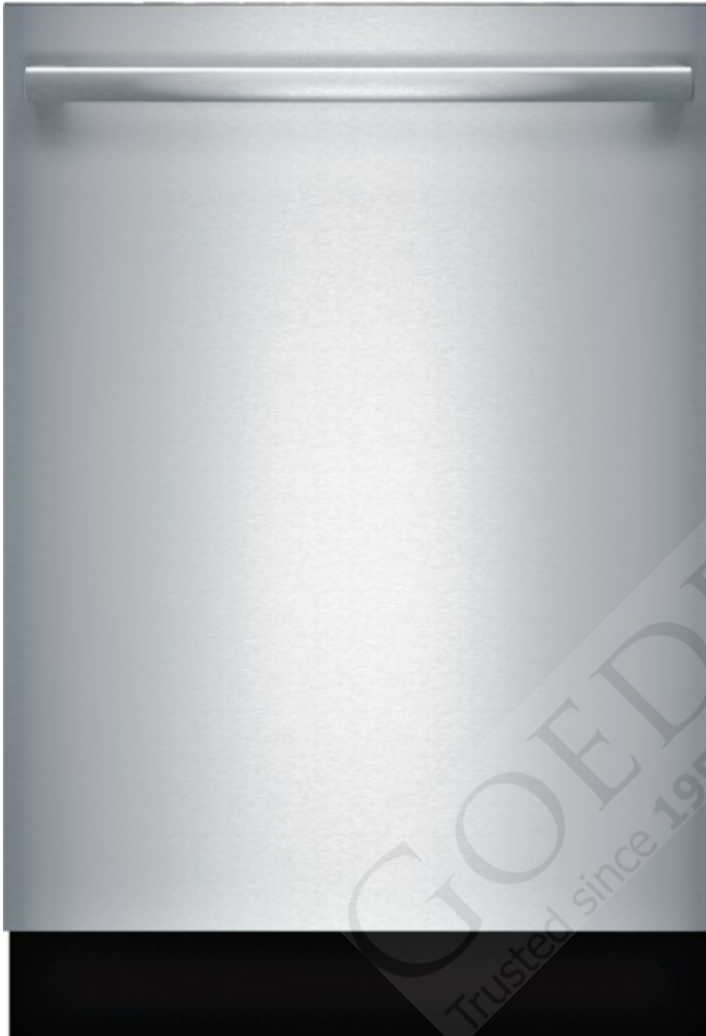


24" Bar Handle Dishwasher

Ascenta Series- Stainless steel

SHX4AT75UC



Features and Benefits

Key Features

- 49 dBA- Quietest Brand
- InfoLight® Beams on Floor to Indicate Dishwasher is Running
- RackMatic™ on Upper Rack - 3 Height Adjustments and Up to 9 Possible Rack Positions
- 24/7 Overflow Protection System®

Design

- Silver Fascia Panel
- Stainless Steel Tall Tub with Polypropelene
- 14 Place Setting Capacity
- LED Remaining Time Display
- RackMatic™ on Upper Rack - 3 Height Adjustments and Up to 9 Possible Rack Positions
- Flexible Silverware Basket Can be Split into Two Pieces and Placed Anywhere for Added Flexibility

Performance

- 49 dBA- Quietest Brand
- 4 Wash Cycles and 5 Options
- Load Size Sensor Automates Wash Temperature
- Sanitize Option Eliminates Bacteria and Enhances Drying Results

Efficiency

- 279 kwh/yr - Energy Star®
- Half Load Option for Small Loads

Convenience

- InfoLight® Beams on Floor to Indicate Dishwasher is Running
- 24/7 Overflow Protection System®



Notes: All height, width and depth dimensions are shown in inches. *Please refer to installation instructions prior to making cutout. BSH reserves the absolute and unrestricted right to change product materials and specifications, at any time, without notice. Consult the product's installation instructions for final dimensional data and other details. Applicable product warranty can be found in a accompanying product literature or you may contact your account manager for further details.

For more information on our entire line of products, go to boschappliances.com or call 1-800-944-2904.
Copyright ©2013 BSH Home Appliances Corporation. All rights reserved. Bosch is a registered trademark of Robert Bosch GmbH.

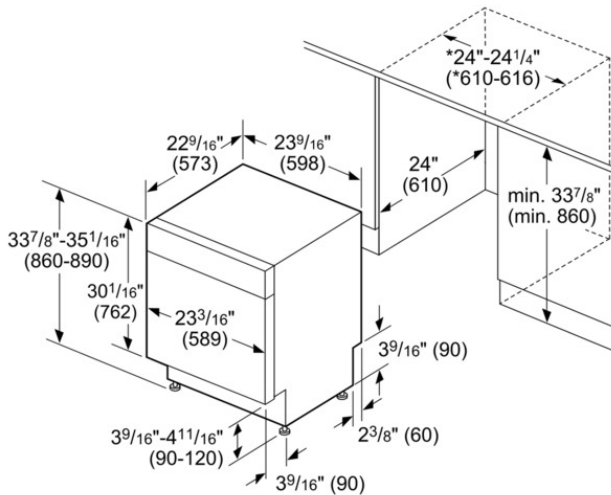
Litho Date: 05/2013



24" Bar Handle Dishwasher

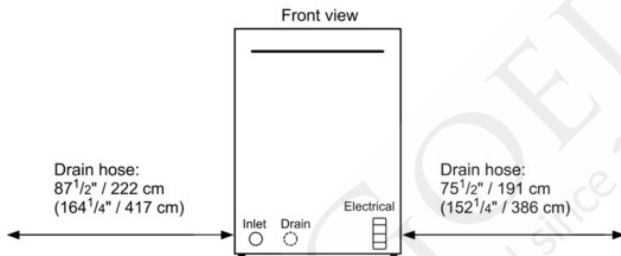
Ascenta Series- Stainless steel

SHX4AT75UC



*23⁵/₈" (600) without decor strips

measurements in inches (mm)



() values with extension kit.
The electrical junction box and the water inlet are at the front of the appliance, the drain is at the rear.

Features

Leak Protection System	24/7 Overflow Protection
ChildLock	No
Water softener	No
Upper Rack	
Adjustable upper rack	Rackmatic
Upper rack cup shelf	2
Lower Rack	
Lower rack cup shelf	
3rd Rack	no
Silverware basket	Standard
Optional accessories	SGZ1010UC, SGZPC001UC, SMZ5002UC

Technical Specification

UPC code	825225904847
Panel ready	No
Alternative colors available	
Silence level (dBA)	49
Watts (W)	1300
Current (A)	12
Volts (V)	120
Frequency (Hz)	60
Energy Consumption (kWh/yr)	279
Energy Star® qualified	Yes
NSF certified	Yes
Plug type	Fixed connection
Power cord length (in)	
Length outlet hose (in)	87 1/2 "
Length inlet hose (in)	
Required cutout size (HxWxD) (in)	33 7/8 " x 24 " x 24 "
Product packaging dimensions (HxWxD) (in)	35 7/8" x 26 7/8" x 26"
Net weight (lbs)	71
Gross weight (lbs)	79
Adjustable feet	No
Tube material	Stainless steel/plastic
Tube type	TallTube
ADA Compliant	No
Number of place settings	14

Notes: All height, width and depth dimensions are shown in inches. *Please refer to installation instructions prior to making cutout. BSH reserves the absolute and unrestricted right to change product materials and specifications, at any time, without notice. Consult the product's installation instructions for final dimensional data and other details. Applicable product warranty can be found in a accompanying product literature or you may contact your account manager for further details.

For more information on our entire line of products, go to boschappliances.com or call 1-800-944-2904.
Copyright ©2013 BSH Home Appliances Corporation. All rights reserved. Bosch is a registered trademark of Robert Bosch GmbH.

Litho Date: 05/2013



Free Manuals Download Website

<http://myh66.com>

<http://usermanuals.us>

<http://www.somanuals.com>

<http://www.4manuals.cc>

<http://www.manual-lib.com>

<http://www.404manual.com>

<http://www.luxmanual.com>

<http://aubethermostatmanual.com>

Golf course search by state

<http://golfingnear.com>

Email search by domain

<http://emailbydomain.com>

Auto manuals search

<http://auto.somanuals.com>

TV manuals search

<http://tv.somanuals.com>