

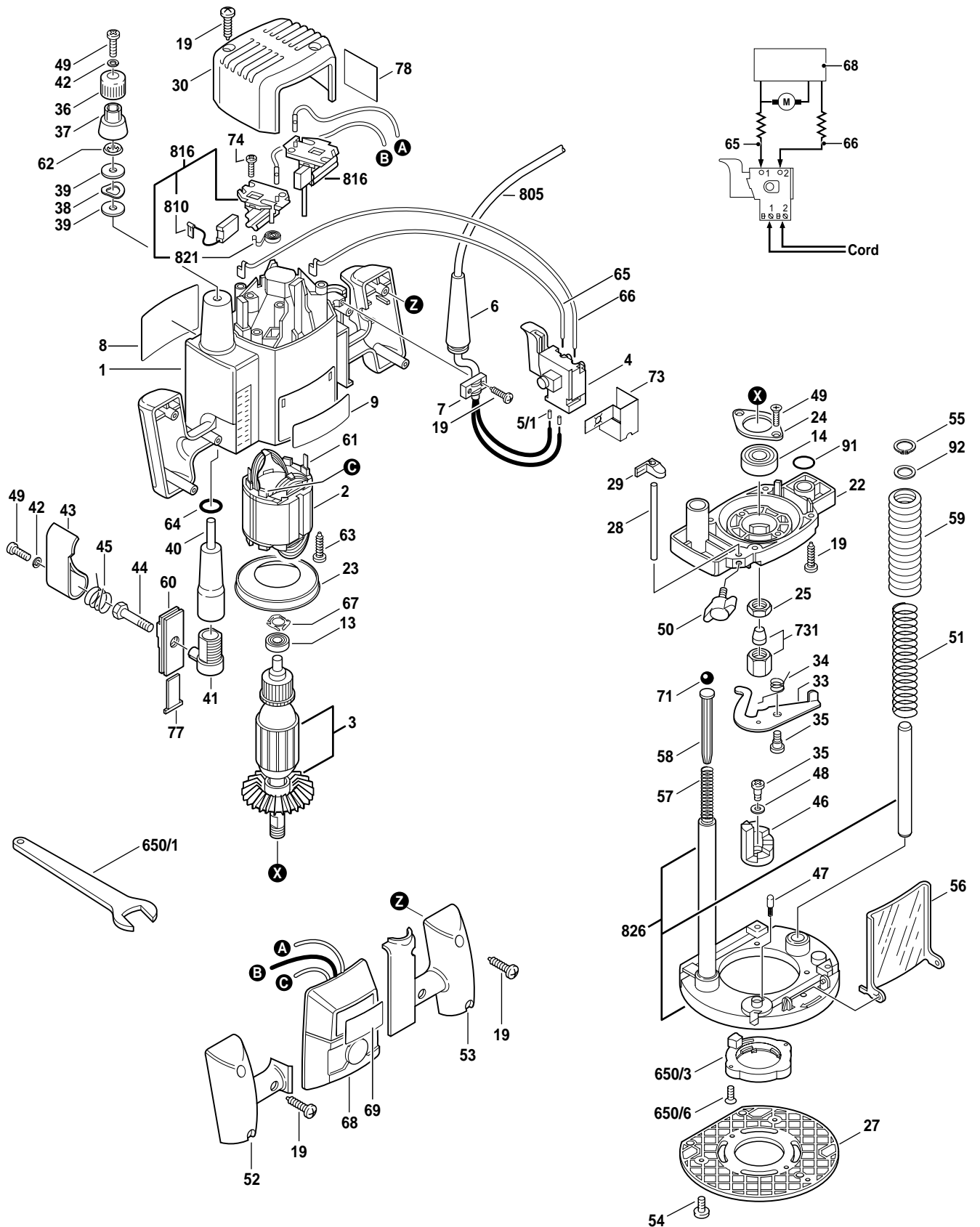
# BOSCH

April 2001  
INDUSTRIAL

## PLUNGE ROUTER

Model 0601613639

## 1613AEVS



# 1613AEVS PLUNGE ROUTER

Pos.	Part Number	Description {Qty.}	F/C	Pos.	Part Number	Description {Qty.}	F/C
1	3 605 108 584	Motor Housing	71	51	2 610 997 100	Spring	27
2	3 604 220 569	Field 120V	22	52	3 605 133 531	Handle Cover	74
3	3 604 011 620	Armature 120V	AW	53	3 605 133 530	Handle Cover	74
4	2 607 200 251	Switch On/Off	15	54	2 914 411 046	Screw {3}	89
5/1	1 900 452 002	Terminal Sleeve {2}	11	55	2 916 650 003	Retaining Ring	89
6	3 600 703 508	Strain Relief	11	56	3 605 510 547	Chip Deflector	9
7	2 601 035 001	Cord Clamp	89	57	3 604 613 508	Spring	27
8	2 610 907 705	Nameplate	9	58	3 603 120 502	Guide Piece	87
9	2 610 998 941	Label	9	59	3 605 510 548	Bellows {2}	9
13	3 600 905 513	Ball Bearing	60	60	3 601 010 519	Slot Cover	70
14	3 600 905 512	Ball Bearing	61	61	1 604 477 005	Terminal {2}	10
19	2 910 611 020	Screw {15}	89	62	3 604 680 502	Retaining Ring	89
22	2 610 997 096	Fan Housing	73	63	2 610 991 306	Screw {2}	89
23	3 600 590 508	Air Deflector	24	64	3 600 210 507	O-Ring	78
24	3 600 034 506	Retaining Plate	9	65	3 604 445 518	Cable 300mm	10
25	3 603 300 502	Bearing Nut	85	66	3 604 445 519	Cable 375mm	10
27	2 610 997 099	Sub-Base	88	67	3 600 150 501	Spring Washer	65
28	2 610 997 093	Rod	87	68	1 607 233 152	Speed Control	17
29	2 610 997 094	Pointer	9	69	3 601 119 760	Label	9
30	3 605 500 598	Housing Cover	70	71	1 903 230 007	Ball 4mm	66
33	3 601 021 510	Swing Plate	65	73	2 610 996 090	Retainer	9
34	3 604 651 502	Spring	27	74	2 910 611 006	Screw {4}	89
35	3 603 415 556	Screw {3}	89	77	3 601 010 521	Slot Insert	9
36	3 603 231 539	Knob	63	78	3 601 007 504	Insulator {2}	9
37	3 600 209 500	Indicator Ring	9	91	1 900 210 109	O-Ring	78
38	3 600 100 528	Spring Washer	65	92	2 610 913 282	Washer	65
39	3 600 100 527	Washer {2}	65	650/1	2 610 992 417	Wrench 24mm	9
40	3 600 360 507	Adjustment Sleeve	82	650/3	2 610 991 370	Adaptor	9
41	3 600 400 507	Locking Piece	80	650/6	2 910 861 120	Screw {2}	89
42	2 916 680 005	Lock Washer {2}	89	731	2 610 906 284	1/2" Collet	91
43	3 602 000 510	Locking Lever	64	731.2	2 610 906 283	1/4" Collet	91
44	3 603 450 504	Lock Bolt LH	89	731.3	2 610 906 287	3/8" Collet	91
45	3 604 651 503	Spring	27	805	3 604 460 514	Cord	11
46	3 600 232 503	Depth Stop	87	810	3 604 321 514	Brush Set	26
47	2 600 590 006	Cap/Spring	80	816	3 604 336 507	Brush & Holder Set (2ea.) w/pos. 810, 821	25
48	3 916 060 500	Spring Washer	65	821	3 604 652 501	Brush Spring Set	27
49	2 910 641 122	Screw {4}	89	826	2 610 997 115	Base Assembly	88
50	1 613 480 009	Wing Screw	89				

## Service Notes:

## Free Manuals Download Website

<http://myh66.com>

<http://usermanuals.us>

<http://www.somanuals.com>

<http://www.4manuals.cc>

<http://www.manual-lib.com>

<http://www.404manual.com>

<http://www.luxmanual.com>

<http://aubethermostatmanual.com>

Golf course search by state

<http://golfingnear.com>

Email search by domain

<http://emailbydomain.com>

Auto manuals search

<http://auto.somanuals.com>

TV manuals search

<http://tv.somanuals.com>