

The Bose® Companion® 3 Multimedia Speaker System

Owner's Guide

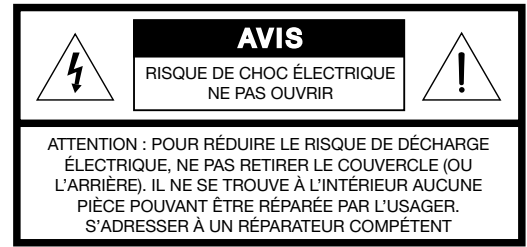
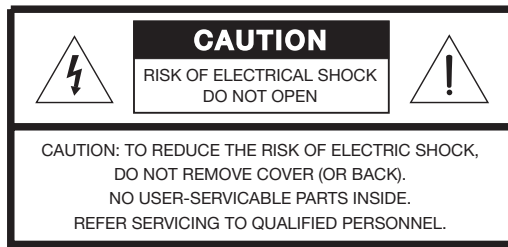
Guía del usuario

Notice d'utilisation

BOSE®



WARNING: To reduce the risk of fire or electric shock, do not expose this system to rain or moisture. The apparatus shall not be exposed to dripping or splashing, and objects filled with liquids, such as vases, shall not be placed on the apparatus.



These CAUTION marks are located on the rear panel of the Acoustimass® module:



The lightning flash with arrowhead symbol, within an equilateral triangle, is intended to alert the user to the presence of uninsulated dangerous voltage within the system enclosure that may be of sufficient magnitude to constitute a risk of electric shock.



The exclamation point, within an equilateral triangle, as marked on the system, is intended to alert the user to the presence of important operating and maintenance instruction in this owner's guide.


WARNING: To prevent electric shock, match wide blade of plug to wide slot, insert fully.

Please read this owner's guide

Please take the time to read and follow this owner's guide carefully. It will help you set up and operate your system properly, and enjoy all of its advanced features. Save your owner's guide for future reference.

CAUTION: Do not place computer monitors, floppy disks, hard drives, or other magnetic media within 6 inches of the Acoustimass module. The magnetic field produced by this module can erase magnetic media and interfere with the monitor.

CAUTION: No naked flame sources, such as lighted candles, should be placed on the apparatus.

1. **Read these instructions** – for all components before using this product.
2. **Keep these instructions** – for future reference.
3. **Heed all warnings** – on the product and in the owner's guide.
4. **Follow all instructions.**
5. **Do not use this apparatus near water or moisture** – Do not use this product near a bathtub, washbowl, kitchen sink, laundry tub, in a wet basement, near a swimming pool, or anywhere else that water or moisture are present.
6. **Clean only with a dry cloth** – and as directed by Bose® Corporation. Unplug this product from the wall outlet before cleaning.
7. **Do not block any ventilation openings. Install in accordance with the manufacturer's instructions** – To ensure reliable operation of the product and to protect it from overheating, put the product in a position and location that will not interfere with its proper ventilation. For example, do not place the product on a bed, sofa, or similar surface that may block the ventilation openings. Do not put it in a built-in system, such as a bookcase or a cabinet that may keep air from flowing through its ventilation openings.
8. **Do not install near any heat sources, such as radiators, heat registers, stoves or other apparatus (including amplifiers) that produce heat.**
9. **Do not defeat the safety purpose of the polarized or grounding-type plug. A polarized plug has two blades with one wider than the other. A grounding-type plug has two blades and a third grounding prong. The wider blade or third prong are provided for your safety. If the provided plug does not fit in your outlet, consult an electrician for replacement of the obsolete outlet.**
10. **Protect the power cord from being walked on or pinched, particularly at plugs, convenience receptacles, and the point where they exit from the apparatus.**
11. **Only use attachments/accessories specified by the manufacturer.**
12. **Use only with the cart, stand, tripod, bracket or table specified by the manufacturer or sold with the apparatus. When a cart is used, use caution when moving the cart/apparatus combination to avoid injury from tip-over.** 
13. **Unplug this apparatus during lightning storms or when unused for long periods of time** – to prevent damage to this product.
14. **Refer all servicing to qualified service personnel. Servicing is required when the apparatus has been damaged in any way: such as power-supply cord or plug is damaged; liquid has been spilled or objects have fallen into the apparatus; the apparatus has been exposed to rain or moisture, does not operate normally, or has been dropped** – Do not attempt to service this product yourself. Opening or removing covers may expose you to dangerous voltages or other hazards. Please call Bose to be referred to an authorized service center near you.
15. **To prevent risk of fire or electric shock, avoid overloading wall outlets, extension cords, or integral convenience receptacles.**
16. **Do not let objects or liquids enter the product** – as they may touch dangerous voltage points or short-out parts that could result in a fire or electric shock.
17. **See product enclosure bottom for safety related markings.**

Information about products that generate electrical noise

If applicable, this equipment has been tested and found to comply with the limits for a Class B digital device, pursuant to Part 15 of the FCC rules. These limits are designed to provide reasonable protection against harmful interference in a residential installation. This equipment generates, uses, and can radiate radio frequency energy and, if not installed and used in accordance with the instructions, may cause harmful interference to radio communications. However, this is no guarantee that interference will not occur in a particular installation. If this equipment does cause harmful interference to radio or television reception, which can be determined by turning the equipment off and on, you are encouraged to try to correct the interference by one or more of the following measures:

- Reorient or relocate the receiving antenna.
- Increase the separation between the equipment and receiver.
- Connect the equipment to an outlet on a different circuit than the one to which the receiver is connected.
- Consult the dealer or an experienced radio/TV technician for help.

Note: *Unauthorized modification of the receiver or radio remote control could void the user's authority to operate this equipment.*

This product complies with the Canadian ICES-003 Class B specifications.

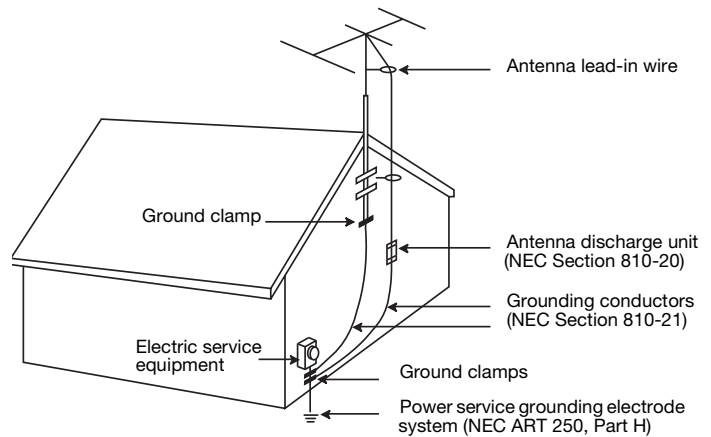
Important Safety Instructions

18. **Use Proper Power Sources** – Plug the product into a proper power source, as described in the operating instructions or as marked on the product.
19. **Avoid Power Lines** – Use extreme care when installing an outside antenna system to keep from touching power lines or circuits, as contact with them may be fatal. Do not install external antennas near overhead power lines or other electric light or power circuits, nor where an antenna can fall into such circuits or power lines.
20. **Ground All Outdoor Antennas** – If an external antenna or cable system is connected to this product, be sure the antenna or cable system is grounded. This will provide some protection against voltage surges and built-up static charges.

Section 810 of the National Electrical Code ANSI/NFPA No. 70 provides information with respect to proper grounding of the mast and supporting structure, grounding of the lead-in wire to an antenna discharge unit, size of grounding conductors, location of antenna-discharge unit, connection to grounding electrodes, and requirements for the ground electrode. Refer to the antenna grounding illustration on this page.

Antenna grounding

Example of antenna grounding as per National Electrical Code, ANSI/NFPA 70.



Note to CATV system installer

This reminder is provided to call the CATV system installer's attention to Article 820-40 of the NEC (of USA) that provides guidelines for proper grounding. In particular, it specifies that the cable ground shall be connected to the grounding system of the building, as close to the point of cable entry as is practical.

Where to Find

Safety Information	2
Where to Find	3
Introduction	4
Your Companion® 3 Multimedia Speaker System	4
System Setup	5
Unpacking	5
Selecting a location for your Companion 3 Multimedia Speaker System	6
Positioning the Acoustimass® module	6
Positioning the satellite speakers	7
Making connections	10
To Connect:	10
To make the final connection and power the system	10
Additional Connections	10
Operation	11
Operating the Companion 3 multimedia speaker system	11
Troubleshooting	12
Troubleshooting	12
Reference	13
Maintaining the Companion® 3 Multimedia Speaker System	13
Cleaning the system	13
Limited Warranty period	13
Technical Information	13
Features	13
Driver complement	13
Power rating	13
Dimensions (approximate)	13
Weight (approximate)	13
Finish	13

English

Español

Français

For your records


The system serial number is located on the bottom of the Acoustimass module.

Serial number: _____

Dealer name: _____

Dealer phone: _____

We suggest you keep your sales receipt together with this owner's guide.

 **Note:** Now would be a good time to register your product online at www.bose.com/register.

Your Companion® 3 Multimedia Speaker System

Thank you for purchasing the Bose® Companion 3 multimedia speaker system. Bose designed this amplified speaker system to provide high-fidelity stereo sound for your computer and a variety of other desktop sources. Its unique features make this system a superior choice for your home or office workspaces.

- Small satellite speakers and an Acoustimass® module that hides away help maximize work-space.
- Magnetically shielded satellite speakers protect your screen from color distortion so you can place the satellite speakers right next to your monitor or television.
- TrueSpace® stereo signal processing provides a wide soundstage even when the speakers are close together.
- Control pod allows you to control system volume and connect headphones or portable audio players.
- Integrated signal processing provides full, rich sound at all listening levels.
- Auxiliary input jack lets you expand your system to include an external source such as a CD player, MP3 player, or other audio source.

Unpacking

Carefully unpack your system. Save all packing materials, which provide the safest way to transport your system, if needed.

WARNING: To avoid danger of suffocation, keep the plastic bags out of the reach of children.

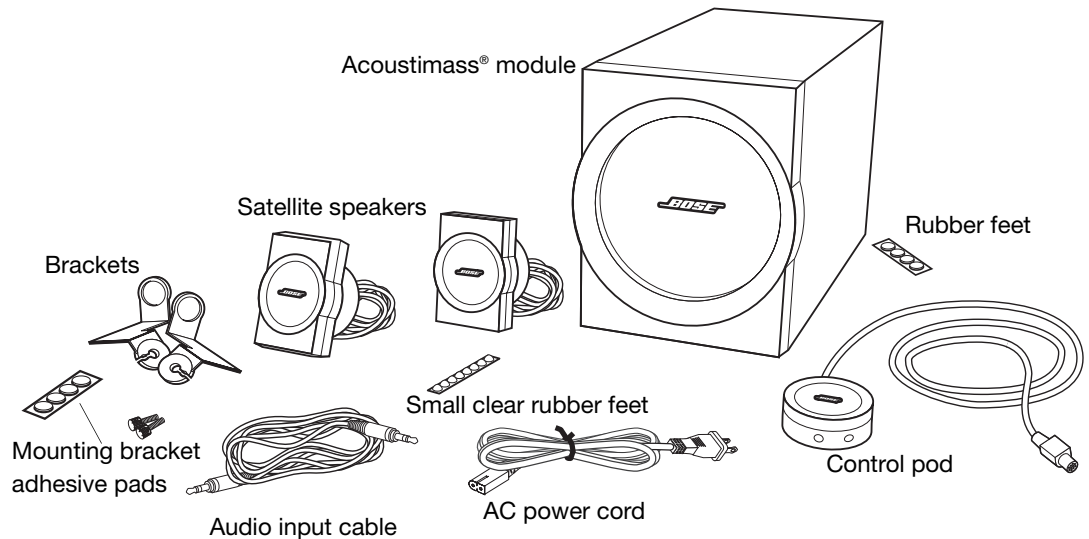
If any part of the system appears damaged, do not attempt to use it. Notify Bose Corporation or your authorized Bose® dealer immediately. For contact information, refer to the address sheet included in the carton.

Check to be sure your system includes the parts shown in Figure 1.

Note: Now is a good time to record the serial number on the bottom of these speakers on page 3 of this guide and on your warranty card.

Figure 1

Contents of the shipping carton

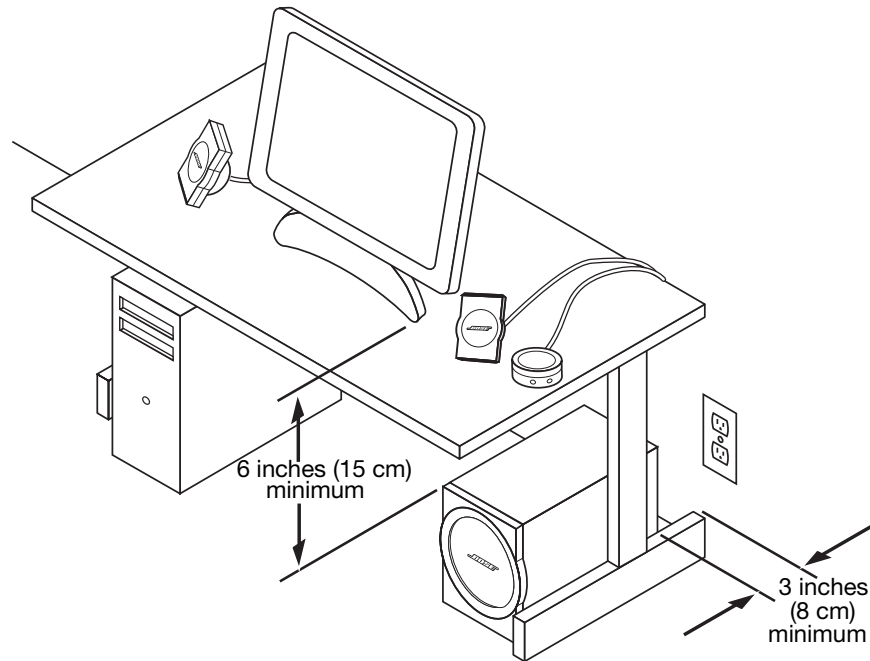


Selecting a location for your Companion® 3 Multimedia Speaker System

Use the following guidelines to choose locations and positions for the speakers and the Acoustimass® module (Figure 2). While these guidelines are offered to provide outstanding system performance, you may find other placement options that are more convenient and provide the sound you enjoy.

Figure 2

Recommended system placement



Positioning the Acoustimass® module

The Acoustimass module is designed to be the unseen part of this system. It can be placed under or behind furniture, for example, and contribute to the lifelike sound you hear from the speakers without being visible.

Place the module on a flat surface:

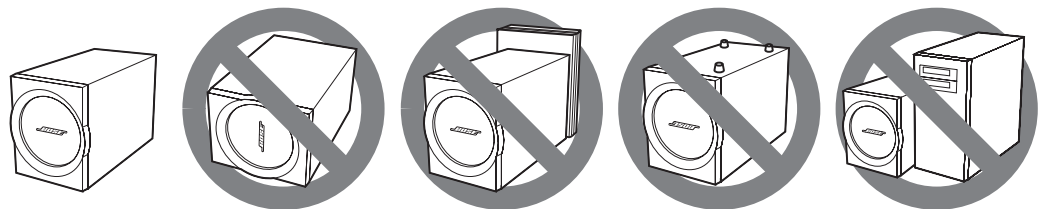
- within reach of an AC (mains) power outlet and
- place the module a minimum of *6 inches (15 cm)* from the computer monitor (or TV) to prevent interference from the module, which is not magnetically shielded.
- Once you have selected a position for the module, place the four self-adhesive rubber feet near the corners of the bottom surface. The rubber feet provide increased stability and protection from scratches.

CAUTION: Do not place computer monitors, floppy disks, hard drives, or other magnetic media within *6 inches (15 cm)* of the Acoustimass module. The magnetic field produced by this module can erase magnetic media and interfere with the monitor.

- Stand the Acoustimass module on its feet. Do not lay it on its side or stand it on either end (Figure 3).

Figure 3

Module placement



- Aim the port of the module away from the wall to decrease bass or toward the wall to increase bass; in either case, be sure it is at least 3 inches (8 cm) from the wall.
- Place the module away from heat sources (radiators, baseboard, quartz heater, etc.). Adequate ventilation is necessary to prevent the module from overheating during use. Do not block the openings on the back of the module, which provide ventilation for the built-in circuitry.
- Using the supplied audio input cable, you can place the module up to 6 feet (2 m) away from the multimedia sound source. If you put the module farther away, use an audio input extension cable available from any retail electronics store.

Positioning the satellite speakers

These speakers are designed to sit upright on your desk, or be mounted on your monitor with the supplied speaker brackets. The speakers are magnetically shielded to prevent interference when they are on or near your monitor. Using the supplied speaker cables, you can place the satellite speakers up to 6 feet (2 m) away from the module.

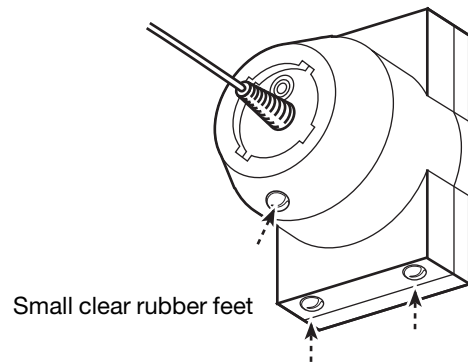
If placing your speakers on the desktop:

- Attach three small clear rubber feet to each satellite speaker as indicated by the indentations on the bottom of each speaker (Figure 4).
- Place speakers facing slightly outward, at an equal distance on either side of the monitor (Figure 2 on page 6).
- Place both speakers a maximum of 3 feet (90 cm) from the edge of the screen, and at approximately the same height.

⚠ CAUTION: Choose a stable, level surface for the speakers. Vibration can cause the speakers to move, particularly on smooth surfaces like marble, glass, or highly polished wood. If needed, you may obtain additional rubber feet from Bose® Customer Service. To contact Customer Service, refer to the address sheet included in the product carton.

Figure 4

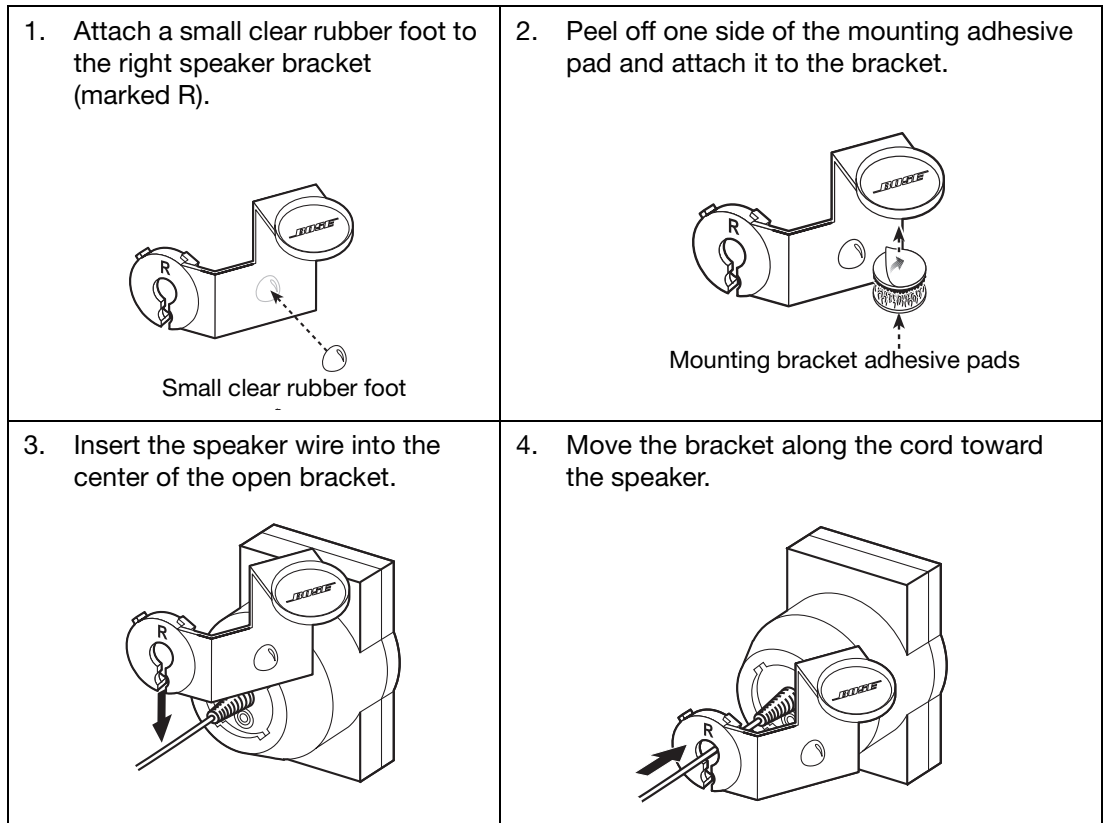
Attaching small clear rubber feet to speaker



If mounting speakers on your monitor (Figure 5):

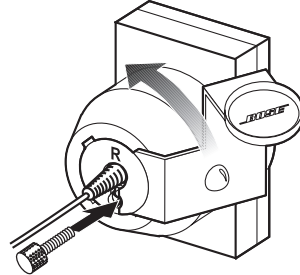
Figure 5

Mounting the bracket

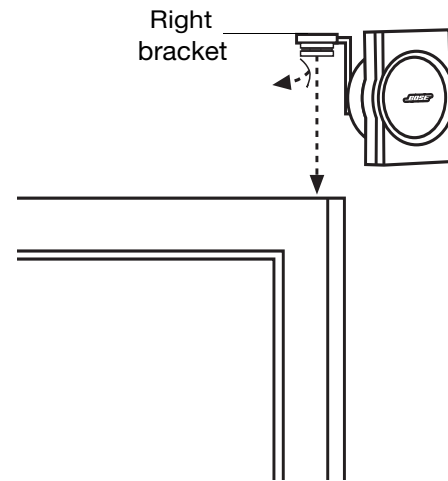


Note: Be sure to wipe the monitor clean before affixing speaker brackets.

5. Center the bracket opening over the screw hole and press the bracket snugly into the speaker cutouts. Rotate the bracket counterclockwise to secure. Install the supplied screw.

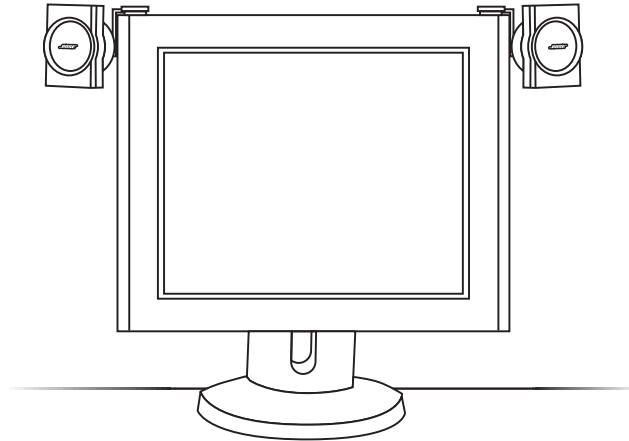


6. Peel off the remaining tape on the mounting adhesive, and attach the bracket to the appropriate side of the monitor.



7. Repeat steps 1-6 for the left bracket, marked L.

🎵 **Note:** The speakers mounted on the monitor are designed to perform at their best when they are angled slightly away from the listener. This orientation provides the most lifelike performance for the seated listener, and expands coverage for other listeners in the room.



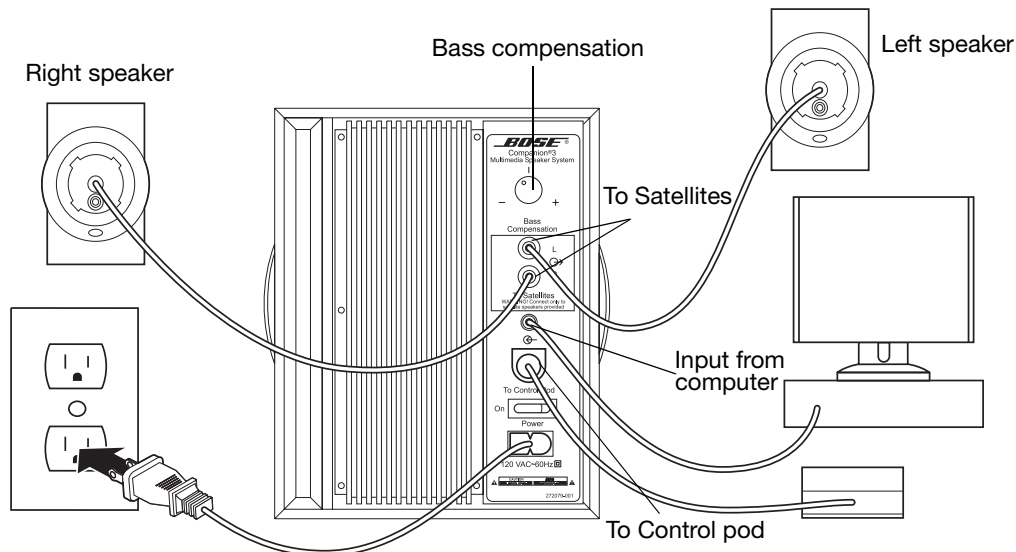
Making connections

Labeled jacks on the rear of the Acoustimass® module and the custom cables supplied with the system permit fast and easy hookup (Figure 6).


⚠ CAUTION: Do not plug the Acoustimass module into an AC power (mains) outlet until all the source components are connected to the module.

Figure 6

Making connections



To Connect:

- *Speakers to the Acoustimass module;* Plug each speaker connector into the corresponding “L” or “R” jack marked “To Satellite”, on the rear of the module.
- *Control pod to the Acoustimass module;* Plug the control pod cable into the jack marked “Control Pod”, on the rear of the Acoustimass module.
- *Sound source to the Acoustimass module;* Connect one end of the audio input cable to the input from the computer jack  on your Acoustimass module. Connect the other end to your computer’s audio output jack.

🎵 Note: If your computer only has two phono jacks, instead of a stereo mini jack, you will need an audio adapter cable. Connect the audio input cable from your module to the adapter cable. Then insert the ends of the adapter cable into your computer’s stereo phono jacks.

To make the final connection and power the system


1. Insert the small connector end of the power cord into the AC INPUT jack on the module.
2. Insert the large end of the cord into an AC power (mains) outlet.
3. Turn the power switch, located on the back of the Acoustimass module, to ON (I).
The LED on the control pod will light up yellow indicating standby mode.

Additional Connections

To connect an additional sound source:

To connect an external CD or MP3 player to your system, plug the cable from the sound source output jack into the input jack on the control pod. See Figure 7 on page 11.

To connect headphones:

Insert the headphone connector into the headphone jack  on the control pod.

🎵 Note: Connecting headphones will silence the output from your speakers.

Operating the Companion® 3 multimedia speaker system

Turning your speaker system on and off

1. Turn on your computer or sound source.
2. Turn the power switch on the back of the Acoustimass® module to ON (I).

♪ **Note:** To conserve energy, your system can be put into standby mode. The mute or standby mode is activated by touching the center portion of the control pod and indicated by the yellow light.

Adjusting the sound

The acoustics of your listening room affect the sound quality of any speaker system. Upholstered furniture, wall-to-wall carpets, or heavy drapes can muffle the treble (high frequencies). Bare floors and walls and unupholstered furniture reflect the treble and may cause it to sound too shrill.

Bass

After listening to your speaker system, you may wish to adjust the sound. Use the bass compensation control on the Acoustimass module. Turn the control clockwise to increase, or counterclockwise to decrease bass. You may also adjust the placement of the module to affect bass; simply aim the port of the module away from the wall to decrease bass, or toward the wall to increase bass.

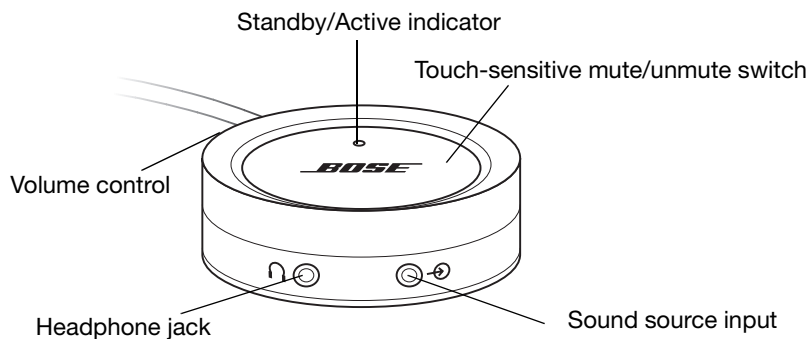
Volume

Use the volume control on the control pod. Rotate the outer ring clockwise to increase, or counterclockwise to decrease the volume (Figure 7).

To mute the system, gently tap the silver touch-sensitive panel on the control pod. Tap again to unmute. The indicator light turns yellow when the system is muted, and green when it is active.

Figure 7

Control pod features



♪ **Note:** Using the volume controls in their maximum position may reduce the speaker system's maximum volume, by causing the internal protection circuitry to engage.

If you wish to control volume at the sound source instead of from the control pod, set the volume control on the control pod near maximum volume; then make all other adjustments using the volume control on your sound source. For instance, you may be able to control the volume on your computer from its control panel.

Troubleshooting

If you have a problem with your Companion® 3 multimedia speaker system, try the following solutions. If you still have trouble with your system, turn off the multimedia sound source and disconnect the speaker system. Contact your authorized Bose® dealer or local Bose customer service center. The dealer will check for any defects and arrange for service by an authorized Bose service center. Bose Corporation will make every effort to remedy your problem within the terms of the warranty.

Problem	What to do
The speaker system does not play	<ul style="list-style-type: none"> • Make sure connections are secure (see “Making connections” on page 10). Check your speaker wires for cuts or frays which can cause an open or short circuit. • Ensure the sound source is plugged in and playing at an audible volume. • Make sure the power is on and the system is not muted. The LED on the control pod should be green when unmuted. • If using a PC, check your sound card settings to make sure the “Digital output only” setting is turned OFF. This setting is typically found in the Options menu of the volume control icon. This icon is usually located in the lower right hand corner of the Windows desktop.
The speaker system sound seems distorted	<ul style="list-style-type: none"> • Decrease the volume at the sound source and increase the volume on the control pod.
A satellite speaker does not play or sounds distorted	<ul style="list-style-type: none"> • Check all the connections between the satellite speakers, control pod, sound source and the Acoustimass® module. Insert the audio connectors completely into the jacks on the module. • At the Acoustimass module, switch the wire connected to the left satellite with the wire connected to the right satellite. If the problem remains in the same satellite, the problem is with that satellite speaker. If the problem switches to the other satellite (the one that previously played), the problem is with the sound source or the Acoustimass module. • To determine if the problem is in the sound source or the Acoustimass module, disconnect the audio input cable from the sound source. Plug it into another sound source (such as a portable CD player headphone jack) and adjust the volume on the sound source. If the Companion 3 speaker system operates properly, the problem is in the original sound source. If the problem remains, then the problem is in the Acoustimass module. • Check balance levels on your sound source.

Maintaining the Companion® 3 Multimedia Speaker System

Cleaning the system

- Wipe with a dry cloth.
- Do not use solvents or chemicals.
- Do not put liquids or objects on the back panel or in the opening on the Acoustimass® module, speaker grilles or control pod.

Limited Warranty period

The Companion 3 multimedia speaker system is covered by a limited transferable warranty. Details of the limited warranty are provided on the product registration card that came with your system. Please fill out the information section on your product registration card and mail it to Bose or register your product at www.bose.com/register. Failure to do so will not affect your limited warranty rights.

Technical Information

Features

Built-in amplification
Active equalization
Automatic protection circuitry
TrueSpace® stereo signal processing

Driver complement

Two magnetically shielded 2-inch (5.0 cm) long-throw, wide-range transducers
One 5.25-inch (13.3 cm) woofer

Power rating

USA/Canada: 115VAC~50/60 Hz
International: 230VAC~50/60 Hz

Dimensions (approximate)

Satellite speakers: 3¹/₂"H x 2¹/₂"W x 2³/₈"D (8.89 cm x 6.35 cm x 6.10 cm)
Acoustimass module: 8⁵/₈"H x 7¹/₈"W x 14"D (21.8 cm x 18 cm x 35.56 cm)
Control pod: 2¹/₂"D x 1¹/₈"H (6.35 cm x 2.79 cm)

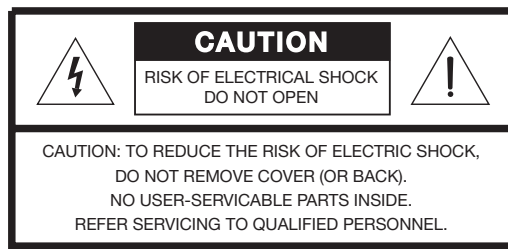
Weight (approximate)

One satellite speaker, unpacked: 0.5 lbs (0.23 kg)
Acoustimass module, unpacked: 15.4 lbs (6.98 kg)

Finish

Acoustimass module: Scratch-resistant, satin-finished vinyl
Satellite speakers: Painted polymer finish

ADVERTENCIA: Con el fin de reducir el riesgo de descargas eléctricas, no exponga este sistema a la lluvia o humedad. El aparato no debe recibir salpicaduras ni mojarse, por lo que cualquier objeto que contenga líquido, como jarrones, no debe colocarse sobre éste.



Las indicaciones de PRECAUCIÓN están situadas en el panel trasero del módulo de Acoustimass®:



El símbolo de un relámpago con una flecha dentro de un triángulo equilátero, avisa al usuario de que dentro de la caja del sistema puede haber voltaje de una magnitud suficiente para constituir un riesgo de descarga eléctrica.



El signo de exclamación dentro de un triángulo equilátero, tal como aparece marcado en el sistema, sirve para avisar al usuario de que existen instrucciones de funcionamiento y mantenimiento importantes en esta guía del usuario.

ADVERTENCIA: Para evitar descargas eléctricas, haga coincidir la patilla ancha del enchufe con la ranura ancha e insértela completamente.

Por favor, lea esta guía del usuario.

Dedique el tiempo que sea necesario para leer y seguir el contenido de esta guía del usuario cuidadosamente. Le ayudará a configurar y utilizar correctamente el sistema y a disfrutar de todas sus funciones avanzadas. Guarde la guía del usuario para utilizarla como material de referencia en el futuro.

PRECAUCIÓN: No coloque monitores de ordenador, disquetes, discos duros u otros medios magnéticos a menos de 15 cm del módulo de graves. El campo magnético producido por el módulo puede borrar los datos de los medios magnéticos e interferir con el monitor.

PRECAUCIÓN: No coloque sobre el aparato ninguna fuente de llama viva.

©2004 Bose Corporation. Ninguna parte de este trabajo puede reproducirse, modificarse, distribuirse o usarse de ninguna otra manera sin consentimiento previo por escrito.

Dónde encontrar...

Introducción	4
Sistema de tres altavoces multimedia Companion®	4
Configuración del sistema	5
Desembalaje	5
Selección de ubicaciones para su sistema de 3 altavoces multimedia Companion®	6
Posicionamiento del módulo de Acoustimass	6
Posicionamiento de los altavoces satélite	7
Si coloca los altavoces sobre el escritorio:	7
Si monta los altavoces en el monitor (Figura 5):	8
Conexiones	10
Para conectar:	10
Para hacer las últimas conexiones y encender el sistema	10
Conexiones adicionales	10
Para conectar una fuente de sonido adicional:	10
Para conectar los auriculares:	10
Funcionamiento del sistema de tres altavoces multimedia Companion®	11
Encendido y apagado del sistema de altavoces	11
Ajuste del sonido	11
Compensación de graves	11
Volumen	11
Resolución de problemas	12
Funcionamiento del sistema de tres altavoces multimedia Companion®	13
Limpieza del sistema	13
Período de garantía limitada	13
Información técnica	13
Características	13
Altavoces	13
Voltaje	13
Dimensiones	13
Acabado	13

Para conservar como referencia

El número de serie del sistema se encuentra en la cara inferior del módulo Acoustimass.

Número de serie: _____

Nombre del distribuidor: _____

Teléfono del distribuidor: _____

Se recomienda conservar el recibo de compra junto con esta guía del usuario.

 **Nota:** Éste sería un buen momento para registrar su producto en línea en www.bose.com/register.

Sistema de tres altavoces multimedia Companion®

Gracias por adquirir el sistema de tres altavoces multimedia Companion de Bose®. Bose ha diseñado este sistema de altavoces amplificado para proporcionar sonido estéreo de alta fidelidad para su ordenador, así como para a una amplia variedad de fuentes de sobremesa. Sus exclusivas funciones convierten este sistema en una opción superior para sus espacios de trabajo domésticos o de oficina.

- Los altavoces satélite de tamaño reducido y un módulo de Acoustimass® que se oculta, se oculta y ayuda a maximizar el espacio de trabajo.
- Los altavoces satélite protegidos magnéticamente protegen la pantalla de la distorsión del color, de modo que puede colocar dichos altavoces cerca del monitor o de la televisión.
- El procesamiento de la señal estéreo TrueSpace® proporciona un amplio escenario acústico incluso en los casos en los que los altavoces se han colocado uno al lado del otro.
- La consola de control cableada le permite controlar el volumen del sistema, conectar auriculares o reproductores de sonido portátiles, así como pasar de una fuente de sonido a otra de un modo sencillo.
- El procesamiento de la señal integrada proporciona un sonido pleno e intenso en todos los niveles de escucha.
- La toma de entrada auxiliar le permite ampliar el sistema de modo que incluya una fuente externa, como un reproductor de CD, un reproductor de MP3 o cualquier otra fuente de sonido.

Desembalaje

Desembale el sistema cuidadosamente. Conserve todo el material de embalaje, ya que es la forma más segura de transportar el sistema cuando sea necesario.

ADVERTENCIA: Mantenga las bolsas de plástico fuera del alcance de los niños, para evitar el peligro de asfixia.

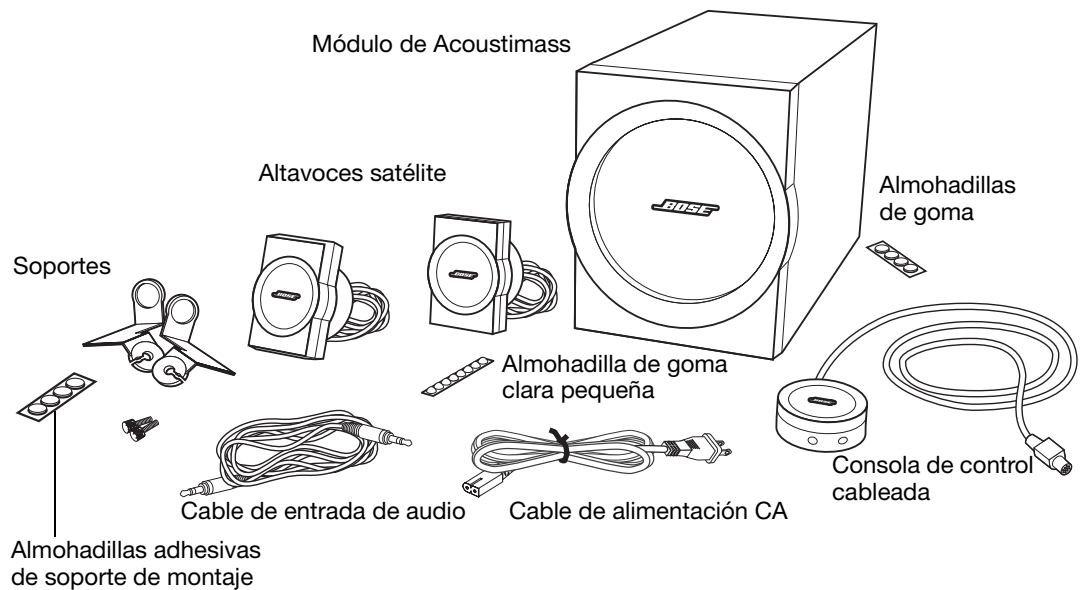
Si alguna pieza del sistema parece estar dañada, no lo utilice. Comuníquese de inmediato con Bose Corporation o con un concesionario Bose® autorizado. Para conocer la información de contacto, consulte la página de direcciones que se adjunta con la caja.

Compruebe que el sistema incluye los componentes indicados en la Figura 1.

Nota: Éste es un buen momento para anotar el número de serie de estos altavoces en la página 3 de esta guía del usuario y en su tarjeta de garantía.

Figura 1

Contenido de la caja de envío

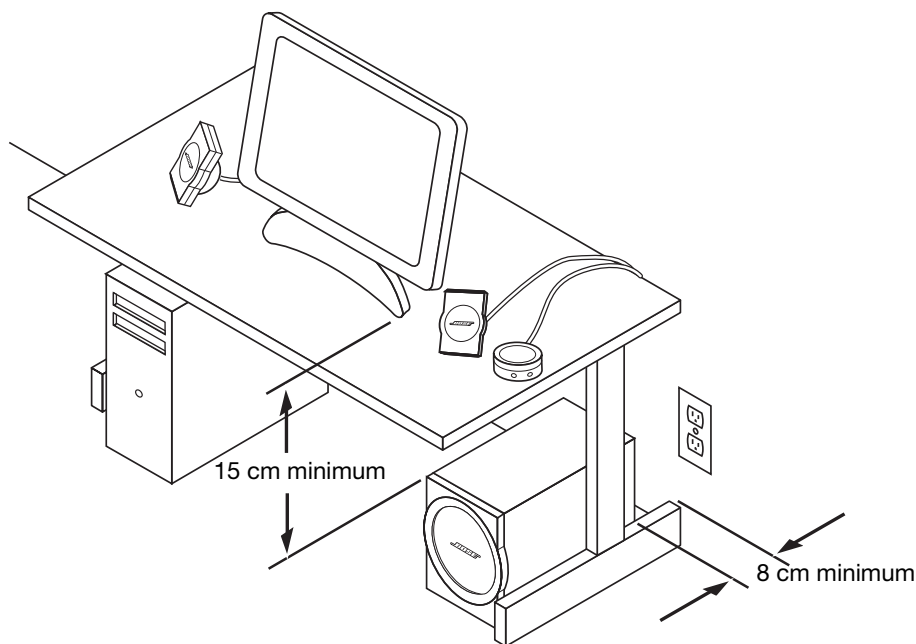


Selección de ubicaciones para su sistema de 3 altavoces multimedia Companion®

Utilice las siguientes directrices para elegir ubicaciones y posiciones para los altavoces y el módulo de Acoustimass® (Figura 2). Aunque estas directrices se proporcionan para asegurar el mejor rendimiento del sistema, puede encontrar otras opciones de colocación más convenientes que proporcionen el sonido que usted quiera.

Figura 2

Colocación recomendada del sistema



Posicionamiento del módulo de Acoustimass

El módulo de Acoustimass está diseñado para ser la parte invisible del sistema. Puede colocarse debajo o detrás de los muebles, por ejemplo, y contribuir al sonido realista que se recibe de los altavoces sin que éstos se detecten.

Coloque el módulo en una superficie plana:

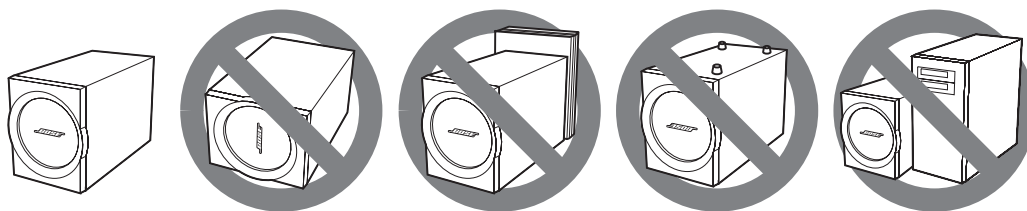
- al alcance de una toma de corriente alterna (CA) y
- a una distancia mínima de 15 cm del monitor del ordenador (o del televisor), para evitar interferencias del módulo, que no posee protección magnética
- Una vez decidida la posición del módulo, pegue las cuatro almohadillas de goma adhesivas en las esquinas de la base. Los pies de caucho contribuyen a aumentar la estabilidad y protección.

⚠ PRECAUCIÓN: No coloque monitores de ordenador, disquetes, discos duros u otros medios magnéticos a menos de 15 cm del módulo de graves. El campo magnético producido por el módulo puede borrar los datos de los medios magnéticos e interferir con el monitor.

- Coloque el módulo de Acoustimass sobre las patas. No lo apoye de lado ni sobre los extremos (Figura 3).

Figura 3

Colocación del módulo



- Oriente el puerto del módulo hacia la pared para aumentar los graves y en dirección contraria para reducirlos; en cualquier caso, asegúrese de que está a una distancia de al menos 8 cm del muro.
- Coloque el módulo lejos de las fuentes de calor (radiadores, rodapiés, calentadores de cuarzo, etc.). Es necesaria una ventilación adecuada para evitar que el módulo se sobrecaliente durante el uso. No bloquee las aberturas de la parte trasera del módulo, pues suministran ventilación para los circuitos incorporados.
- Con el cable de entrada de audio suministrado, puede colocar el módulo hasta a 2 m de la fuente de sonido multimedia. Si coloca el módulo más lejos, utilice un cable alargador de entrada de audio, que podrá encontrar en cualquier tienda de productos eléctricos.

Posicionamiento de los altavoces satélite

Estos altavoces están diseñados para mantenerse en posición vertical sobre escritorios o montarse en monitores con el soporte de altavoces suministrado. Los altavoces poseen un blindaje magnético para evitar interferencias cuando están un monitor o cerca de alguno. Usando los cables de altavoz suministrados, puede colocar los altavoces satélite a 2 metros del módulo como máximo.

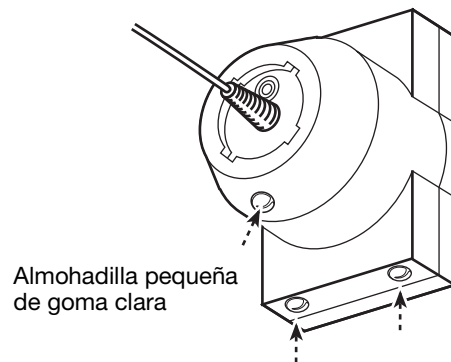
Si coloca los altavoces sobre el escritorio:

- Coloque las almohadillas de goma clara en cada altavoz satélite, como indican las incisiones en la parte inferior de cada altavoz.
- Coloque los altavoces simétricamente a cada lado del monitor, a un máximo de 90 cm de la pantalla y oriente cada altavoz hacia usted.
- Mantenga ambos altavoces ligeramente hacia el exterior y aproximadamente a la misma altura.

⚠ PRECAUCIÓN: Seleccione una superficie estable y nivelada para los altavoces. La vibración puede causar el movimiento de los altavoces, en particular sobre superficies uniformes tales como mármol, cristal o madera muy pulida. Si fuese necesario, el departamento de atención al cliente de Bose® le puede proporcionar más almohadillas. Para ponerse en contacto con el departamento de atención al cliente de Bose, consulte la página de direcciones incluida en el paquete del producto.

Figura 4

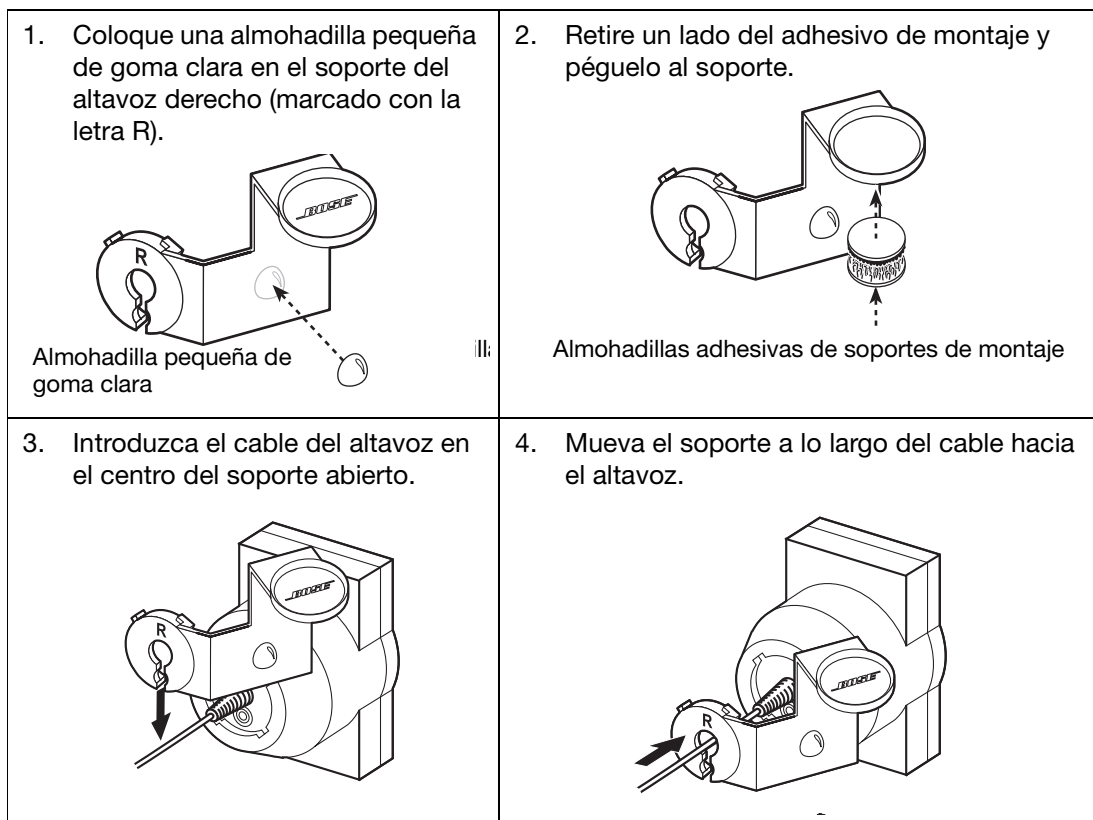
Acople de la almohadilla pequeña de goma clara al altavoz



Si monta los altavoces en el monitor (Figura 5):

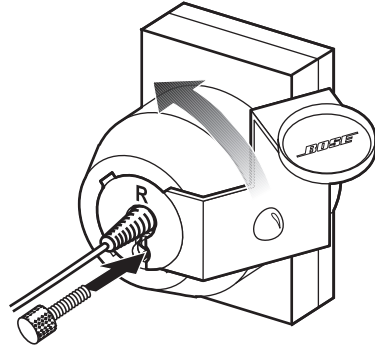
Figura 5

Montaje del soporte

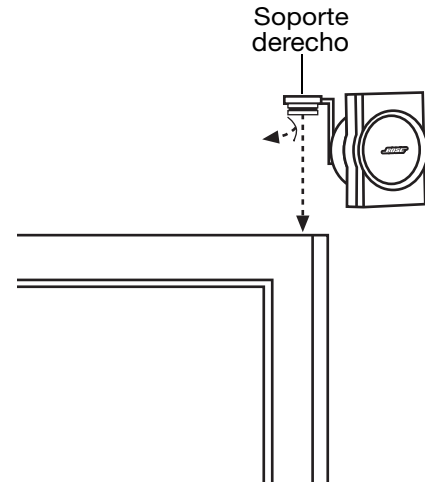


🎵 **Nota:** Asegúrese de que el monitor esté limpio antes de acoplar los soportes de los altavoces.

5. Centre el soporte abriendo el hueco para el tornillo e introduzca el soporte en los cortes del altavoz. Gire el soporte en la dirección contraria a la de las agujas de reloj para asegurarlo. Introduzca el tornillo suministrado.

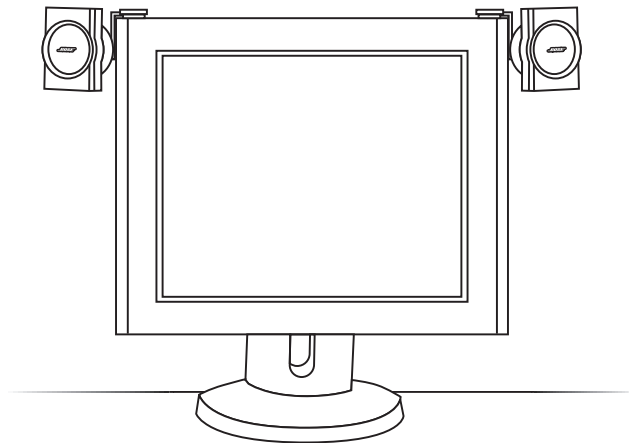


6. Retire la cinta que queda en el adhesivo de montaje y pegue el soporte al lado apropiado del monitor.



7. Repita los pasos 1-6 con el soporte izquierdo, marcado con la letra L.

🎵 **Nota:** Os altavoces montados en el monitor están diseñados para proporcionar su mejor rendimiento cuando están orientados hacia afuera, en una dirección ligeramente alejada del oyente. Esta orientación proporciona el sonido más realista para el oyente sentado y aumenta la cobertura para otros oyentes que haya en la habitación.



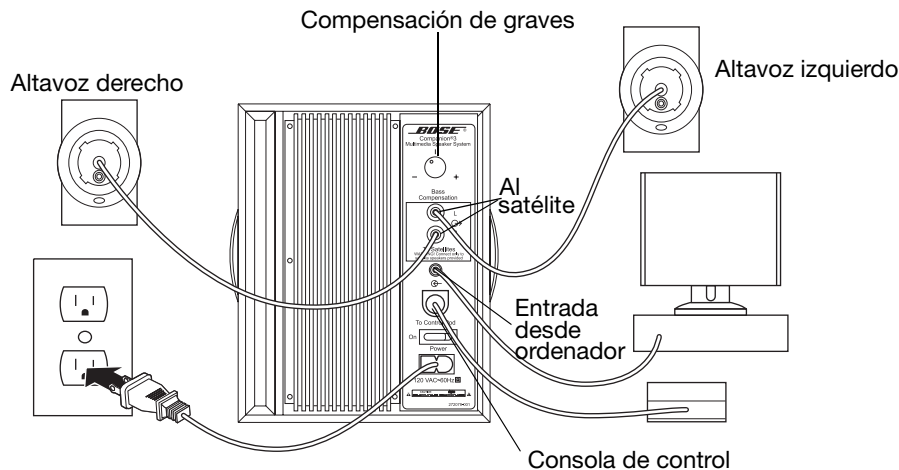
Conexiones

Las tomas con etiquetas de la parte posterior del módulo de Acoustimass® y los cables personalizados suministrados con el sistema aseguran una conexión fácil y rápida (Figura 6).

⚠ PRECAUCIÓN: No enchufe el módulo de Acoustimass en una toma de corriente alterna (CA) de la red eléctrica hasta no haber conectado todos los componentes de las fuentes al módulo.

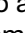
Figura 6

Conexiones



Para conectar:

- **Altavoces al módulo de Acoustimass;** enchufe cada conector de altavoz en la correspondiente toma "L" o "R" marcada como "To Satellites", en la parte posterior del módulo.
- **Consola de control al módulo de Acoustimass;** enchufe el cable de la consola de control a la toma marcada "Control Pod", en la parte posterior del módulo de Acoustimass.

Fuente de sonido al módulo de Acoustimass; conecte un extremo del cable de la entrada de audio a la toma entrada desde ordenador  del módulo de Acoustimass. Conecte el otro extremo a la toma de salida de audio de su ordenador.

🎵 Nota: Si su ordenador tiene dos tomas fonográficas, en lugar de una minitoma estereofónica, necesitará un cable adaptador de audio. Conecte el cable de entrada de audio de su módulo al cable adaptador. Introduzca los extremos del cable adaptador en las tomas fonográficas de su ordenador.

Para hacer las últimas conexiones y encender el sistema

1. Introduzca el extremo pequeño del conector del cable de alimentación a la toma de entrada de CA del módulo.
2. Inserte el extremo grande del cable en la toma de red de CA (red eléctrica principal).
3. Pulse en la línea vertical del botón de encendido situado en parte trasera del módulo Acoustimass para encender el sistema. El indicador LED de la consola de control se iluminará en color amarillo, lo que indica que está en modo de espera.

Conexiones adicionales

Para conectar una fuente de sonido adicional:

Para conectar un reproductor de CD o MP3 externo a su sistema, enchufe el cable de la fuente de sonido en la toma de entrada en la consola de control cableada (Figura 7).

Para conectar los auriculares:

Introduzca el conector de auriculares en la toma de auriculares en la consola de control cableada.

🎵 Nota: Al conectar los auriculares se silenciará la salida de los altavoces.

Funcionamiento del sistema de tres altavoces multimedia Companion®

Encendido y apagado del sistema de altavoces

1. Encienda el ordenador o la fuente de sonido.
2. Coloque el interruptor de alimentación de la parte posterior del módulo Acoustimass® en la posición ON (I).

♪ **Nota:** Para conservar energía, su sistema se puede poner en modo de espera. El modo de silencio o de espera se activa tocando la parte central de la consola de control.

Ajuste del sonido

La acústica de la habitación afecta a la calidad del sonido de los sistemas de altavoces. Los muebles tapizados, moquetas o cortinas tupidas pueden ahogar los agudos (altas frecuencias). Los suelos y las paredes vacíos y los muebles sin tapizar reflejan los agudos y el sonido puede llegar a ser demasiado estridente.

Compensación de graves

Tras escuchar su sistema de altavoces, tal vez desee ajustar el sonido. Utilice el control de compensación de graves del módulo de Acoustimass. Gire el control en el sentido de las agujas del reloj para aumentar los graves y en sentido contrario para reducirlos. También puede ajustar la colocación del módulo de modo que tenga un efecto sobre los graves; para ello, basta con orientar el puerto del módulo hacia la pared para aumentar los graves y en dirección contraria para reducirlos.

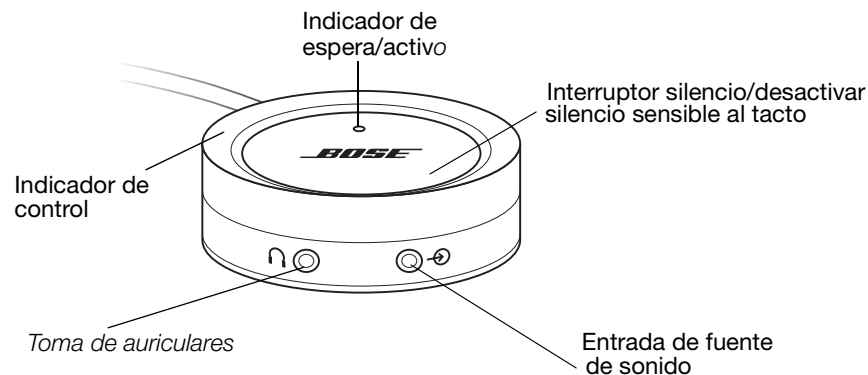
Volumen

Utilice el control de volumen en la consola de control. Gire el anillo exterior en el sentido de las agujas del reloj para aumentar el volumen y en sentido contrario para reducirlo (Figura 7).

Para silenciar el sistema, pulse suavemente en el panel plateado sensible al tacto de la consola de control. Vuelva a pulsar para desactivar el silencio. La luz del indicador se pone amarilla cuando el sistema está silenciado y verde cuando está activo.

Figura 7

Características de la consola de control cableada



♪ **Nota:** El uso de los controles de volumen en su posición máxima puede reducir el volumen máximo del sistema de altavoces, al hacer que el circuito de protección interna se active.

Si desea controlar el volumen en la fuente de sonido en lugar de la consola de control, seleccione un volumen casi máximo en el control de volumen de la consola de control y haga todos los demás ajustes mediante el control de en la fuente de sonido. Por ejemplo, puede controlar el volumen del ordenador desde su propio panel de control.

Resolución de problemas

Si tiene algún problema con su sistema de tres altavoces multimedia Companion®, pruebe alguna de las siguientes soluciones. Si aún tiene problemas con su sistema de altavoces después de intentar aplicar estas soluciones, apague la fuente de sonido multimedia y desconecte el sistema de altavoces. Póngase en contacto con un concesionario Bose autorizado o su centro de atención al cliente local. En el concesionario comprobarán que no haya defectos y gestionarán su reparación en un centro de servicio técnico autorizado de Bose®. Bose Corporation hará todo lo posible por resolver los problemas con arreglo a las condiciones de la garantía.

Problema	Acción
El sistema de altavoces no funciona	<ul style="list-style-type: none"> • Asegúrese de que las conexiones se hayan hecho correctamente. Compruebe que los cables de su altavoz no estén cortados o deshilachados, lo que podría provocar un corto circuito o un circuito abierto (Consulte "Conexiones" en la página 10.) • Asegúrese de que la fuente de sonido esté enchufada y emita a un volumen audible. • Asegúrese de que el aparato esté encendido y de que el sistema no se encuentre en modo silencio. El indicador LED de la consola de control debería estar verde, si es que el modo de silencio está desactivado. • Compruebe la configuración de su tarjeta de sonido para asegurarse de que la opción de sólo salida digital esté desactivada. Esta opción se encuentra normalmente en el menú Opciones del icono de control de volumen. Este icono está situado normalmente en la esquina inferior derecha del escritorio de Windows.
El sonido del sistema de altavoces parece distorsionado	<ul style="list-style-type: none"> • Reduzca el volumen en la fuente de sonido y aumentelo en la consola de control.
Uno de los altavoces satélite no suena o el sonido está distorsionado	<ul style="list-style-type: none"> • Compruebe todas las conexiones entre los altavoces satélite, la consola de control, la fuente de sonido y el módulo de Acoustimass®. Introduzca los conectores de audio completamente en las tomas del módulo. • En el módulo de Acoustimass, intercambie los cables conectados al satélite izquierdo y al derecho, respectivamente. Si no desaparece el problema, se debe al altavoz satélite. Si el problema cambia al otro satélite (el que previamente sonaba), el problema está en la fuente de sonido o en el módulo de Acoustimass. • Para determinar si el problema está en la fuente de sonido o en el módulo de Acoustimass, desconecte el cable de entrada de audio de la fuente de sonido. Enchúfelo en otra fuente de sonido (como un reproductor portátil de CD o toma de entrada de auriculares) y ajuste el volumen en la fuente de sonido. Si el sistema de 3 altavoces Companion funciona correctamente, el problema está en la fuente de sonido original. Si el problema no desaparece, se debe al módulo de Acoustimass • Compruebe el nivel de balance de la fuente de sonido.

Funcionamiento del sistema de tres altavoces multimedia Companion®

Limpieza del sistema

- Límpielo con un paño seco.
- No use disolventes ni productos químicos.
- No introduzca líquidos ni objetos en la parte posterior o en la abertura del módulo, las rejillas de altavoz o la consola de control de Acoustimass®.

Período de garantía limitada

El sistema de tres altavoces multimedia Companion® está cubierto por una garantía limitada transferible. Los detalles sobre la garantía limitada constan en la tarjeta de registro del producto que se incluye con el sistema. Rellene la sección de información solicitada en la tarjeta de garantía y remítala a Bose o registre su producto en www.bose.com/register. Si esto último no se hiciera, no afectaría a sus derechos de garantía limitada.

Información técnica

Características

Amplificación incorporada
Ecuilización activa
Circuito de protección automática
Procesamiento de señal estéreo TrueSpace®

Altavoces

Dos transductores de 5 cm de largo alcance y amplia frecuencia con protección magnética
Un altavoz para graves de 13,3 cm

Voltaje

EE.UU./Canadá: 115 VCA~50/60 Hz
Modelos internacionales: 230 VCA~50/60 Hz

Dimensiones

Altavoces satélite: 8,89 cm Alt. x 6,35 cm Anch. x 6,10 cm longitud
Módulo de Acoustimass: 21,8 cm Alt. x 18 cm Anch. x 35,56 cm de longitud
Consola de control: 6,35 cm de longitud x 2,79 cm Alt.

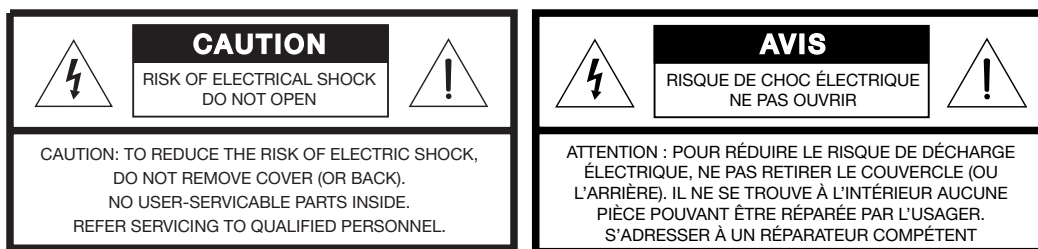
Peso (aproximado)

Sistema completo, en caja de envío:
Un altavoz satélite, sin desembalar: 0,23 kg
Módulo de Acoustimass, sin desembalar: 6,98 kg

Acabado

Módulo de Acoustimass: vinilo con acabado satinado resistente a los arañazos
Altavoces satélite: acabado en polímero pintado

AVERTISSEMENT : Afin de limiter les risques d'incendie ou d'électrocution, n'exposez jamais le système à la pluie ou à l'humidité. Protégez-le de tout risque de ruissellement ou d'éclaboussure. Ne placez pas d'objets contenant des liquides, tels que des vases, sur l'appareil.



Ces marquages de SÉCURITÉ se trouvent sur le panneau arrière du module Acoustimass®.



Le symbole représentant un éclair avec une flèche à l'intérieur d'un triangle équilatéral est utilisé pour prévenir l'utilisateur de la présence d'une tension électrique dangereuse non isolée à l'intérieur de l'appareil. Cette tension est d'un niveau suffisamment élevé pour représenter un risque d'électrocution.



Le symbole représentant un point d'exclamation à l'intérieur d'un triangle équilatéral, tel qu'il figure sur le système, signale à l'utilisateur la présence d'instructions importantes relatives au fonctionnement et à l'entretien de l'appareil dans cette notice d'utilisation.

ATTENTION : Afin d'éviter tout risque d'électrocution, insérez bien les fiches de la prise dans les fentes correspondantes.

Veillez lire cette notice d'utilisation

Prenez le temps de lire attentivement les instructions de cette notice d'utilisation. Elles vous seront précieuses pour installer et utiliser correctement votre système et vous aideront à tirer le meilleur parti de sa technologie. Conservez cette notice d'utilisation pour référence ultérieure.

ATTENTION : Ne placez pas d'écrans d'ordinateurs, de disquettes, de disques durs ou tout autre support magnétique à moins de 15 centimètres du module de graves. Le champ magnétique créé par ce module peut effacer le contenu du support magnétique et provoquer des interférences avec l'écran.

ATTENTION : Ne placez jamais d'objets enflammés, tels que des bougies allumées, sur l'appareil.

Pour trouver

Système d'enceintes multimédia Companion® 3	4
Déballage	5
Choix de l'emplacement du système d'enceintes multimédia Companion® 3	6
Positionnement du module Acoustimass	6
Positionnement des enceintes satellites	7
Si vous placez les enceintes sur votre bureau :	7
Si vous placez les enceintes sur votre écran (Figure 5) :	8
Branchements	10
Pour brancher :	10
Pour réaliser le branchement final et mettre le système sous tension	10
Branchements supplémentaires	10
Pour brancher une source audio supplémentaire :	10
Pour brancher un casque :	10
Fonctionnement du système d'enceintes multimédia Companion® 3	11
Activation et désactivation du système d'enceintes	11
Réglage du son	11
Son grave	11
Volume	11
Dépannage	12
Entretien du système d'enceintes multimédia Companion® 3	13
Nettoyage du système	13
Durée de la garantie limitée	13
Informations techniques	13
Caractéristiques	13
Caractéristiques des haut-parleurs	13
Puissance nominale	13
Dimensions	13
Finition :	13

Renseignements à conserver

Le numéro de série du système figure au-dessous du module Acoustimass.

Numéro de série : _____

Nom du revendeur : _____

Numéro de téléphone du revendeur : _____

Nous vous conseillons de conserver votre facture avec cette notice d'utilisation.

 **Remarque :** Vous pouvez enregistrer votre produit sur Internet, à l'adresse www.bose.com/register.

Systeme d'enceintes multimedia Companion® 3

Nous vous remercions d'avoir fait l'acquisition du système d'enceintes multimedia Companion 3 de Bose®. Bose a conçu ce système d'enceintes amplifiées pour que vous bénéficiez d'un son stéréo haute-fidélité à partir de votre ordinateur et de diverses autres sources de bureau. Ses caractéristiques uniques en font un système de premier choix aussi bien pour les espaces de travail professionnels que familiaux.

- De petites enceintes satellites et un module Acoustimass® qu'il est possible de cacher très facilement vous aident à optimiser votre espace de travail.
- Les enceintes sont équipées d'un blindage magnétique qui protège l'écran de votre ordinateur ou de votre télévision contre toute interférence. Vous pouvez donc les placer juste à côté de l'écran.
- La technologie de traitement de signal stéréo TrueSpace® offre un espace sonore plus vaste même lorsque les enceintes sont situées à proximité l'une de l'autre.
- Un boîtier de commande vous permet de régler le volume du système et de brancher un casque ou des lecteurs audio portables.
- La technologie de traitement de signal intégrée garantit une richesse et une profondeur de son quel que soit le niveau d'écoute.
- Une prise d'entrée auxiliaire vous permet d'ajouter une source externe à votre système, telle qu'un lecteur CD, un lecteur MP3 ou toutes autres sources audio.

Déballage

Déballer le système avec précaution. Conservez tous les emballages pour une éventuelle utilisation ultérieure.

AVERTISSEMENT : Afin d'éviter tout risque d'étouffement, gardez les sacs plastiques hors de portée des enfants.

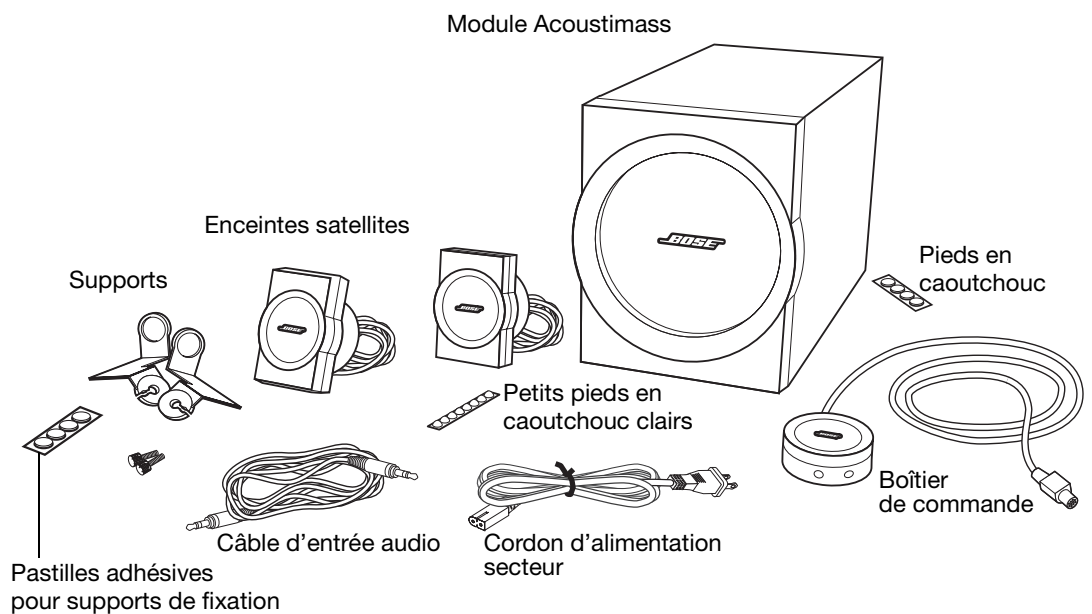
Si vous remarquez que l'un des composants du système semble endommagé, n'essayez pas de l'utiliser. Avertissez immédiatement Bose ou votre revendeur Bose® agréé. Pour contacter Bose, consultez la liste des adresses figurant dans le carton d'emballage.

Assurez-vous que toutes les pièces illustrées sur la Figure 1 sont dans le carton.

Remarque : C'est le bon moment pour noter le numéro de série figurant sous les enceintes sur la page 3 de guide et sur votre carte de garantie.

Figure 1

Contenu du carton d'emballage

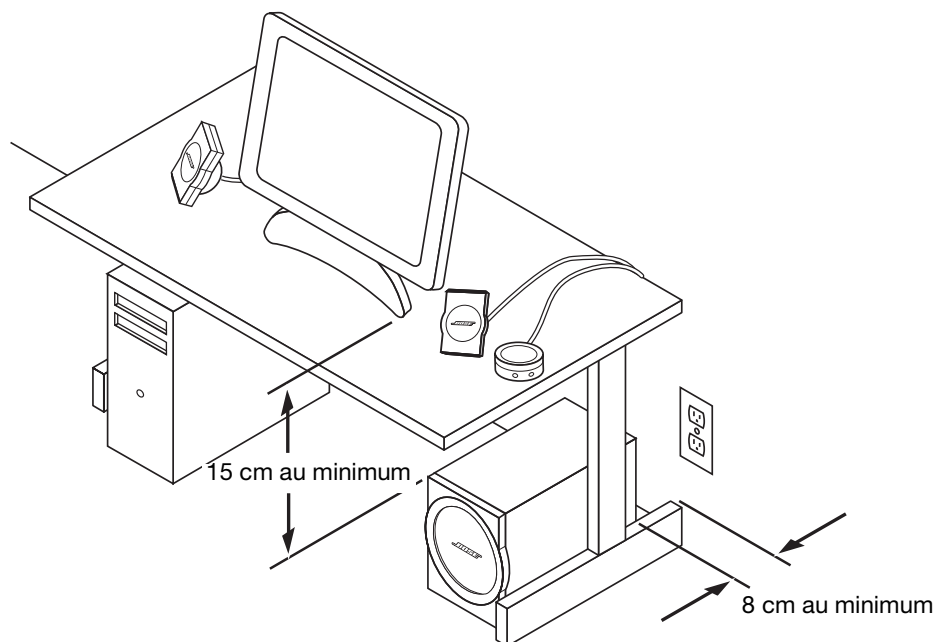


Choix de l'emplacement du système d'enceintes multimédia Companion® 3

Tenez compte des recommandations suivantes pour déterminer l'emplacement et le positionnement des enceintes et du module Acoustimass® (Figure 2). Ces recommandations vous sont fournies dans le but de permettre au système d'offrir les meilleures performances possibles. Cependant, d'autres emplacements peuvent s'avérer plus pratiques et vous fournir le son que vous souhaitez.

Figure 2

Emplacement du système recommandé



Positionnement du module Acoustimass

Le module Acoustimass est conçu pour constituer la partie invisible de ce système. Il peut, par exemple, être placé sous ou derrière un meuble et contribue au réalisme acoustique du son dispensé par les enceintes, tout en étant indécélable.

Placez le module sur une surface plane :

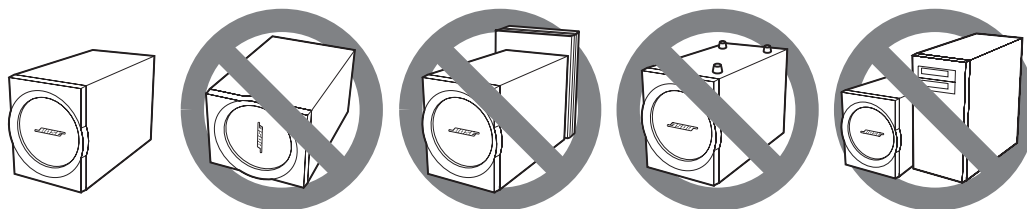
- à proximité d'une prise électrique et
- à une distance minimale de 15 centimètres de l'écran de l'ordinateur (ou de la télévision) afin de prévenir toute interférence du module, car celui-ci n'est pas blindé magnétiquement.
- Une fois la position du module choisie, placez les quatre patins en caoutchouc adhésifs dans les angles de la base. Ces patins améliorent la stabilité et évitent les rayures.

⚠ ATTENTION : Ne placez pas d'écrans d'ordinateurs, de disquettes, de disques durs ou tout autre support magnétique à moins de 15 centimètres du module de graves. Le champ magnétique créé par ce module peut effacer le contenu du support magnétique et provoquer des interférences avec l'écran.

- Positionnez le module Acoustimass verticalement sur ses pieds. Ne le faites pas reposer sur le côté ou sur toute autre extrémité (Figure 3).

Figure 3

Positionnement du module



- Éloignez l'évent, du module, du mur lorsque vous souhaitez réduire le volume des graves ou rapprochez-le du mur lorsque vous souhaitez l'augmenter (dans les deux cas, placez l'évent à une distance minimale de 8 cm du mur).
- Placez le module à l'écart des sources de chaleurs, telles que radiateur, plinthe chauffante, chauffage à quartz, etc. L'emplacement choisi doit être suffisamment aéré pour empêcher toute surchauffe du module lors de son fonctionnement. N'obstruez pas les orifices situés à l'arrière du module, car ceux-ci assurent la ventilation de l'électronique intégrée.
- À l'aide du câble d'entrée audio fourni, vous pouvez placer le module jusqu'à 2 mètres de la source audio multimédia. Si vous souhaitez le placer plus loin, munissez-vous d'un câble d'extension d'entrée audio disponible dans tout magasin d'articles électroniques spécialisé.

Positionnement des enceintes satellites

Ces enceintes sont conçues pour reposer verticalement sur votre bureau ou être installées sur votre écran avec les supports fournis. Les enceintes sont blindées magnétiquement afin d'éviter toute interférence lorsqu'elles sont placées au-dessus ou à proximité de l'écran. Grâce aux câbles d'enceintes fournis, vous pouvez placer les enceintes jusqu'à 2 mètres du module.

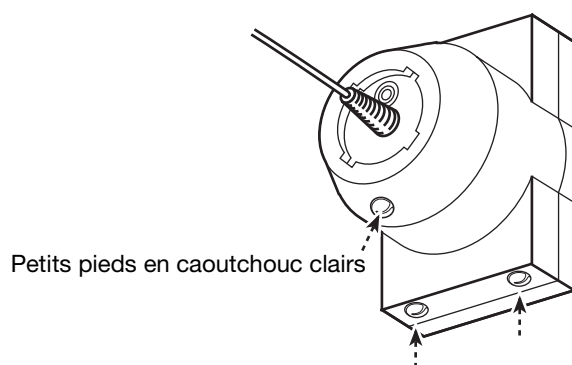
Si vous placez les enceintes sur votre bureau :

- Fixez les trois petits pieds en caoutchouc clairs à l'emplacement approprié de chaque satellite.
- Placez chaque enceinte symétriquement de part et d'autre de l'écran, à une distance maximum de 90 centimètres de l'écran et orientez chaque enceinte vers l'extérieur.
- Placez les deux enceintes à la même hauteur approximativement.

⚠ ATTENTION : La surface sur laquelle reposent les enceintes doit être stable et plane. Les enceintes risquent de bouger sous l'effet des vibrations, en particulier si elles sont positionnées sur des surfaces lisses telles que le marbre, le verre ou le bois bien ciré. Si nécessaire, des pieds supplémentaires sont disponibles sur simple demande auprès du service clients de Bose®. Pour contacter Bose, consultez la liste des adresses figurant dans le carton d'emballage.

Figure 4

Fixation des petits pieds en caoutchouc clairs

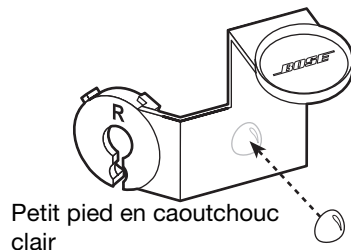


Si vous placez les enceintes sur votre écran (Figure 5) :

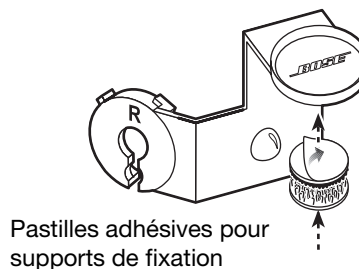
Figure 5

Fixation des supports

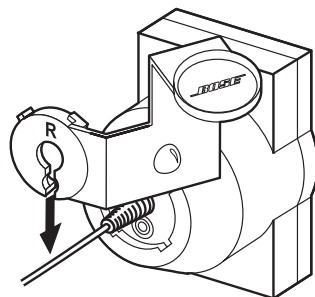
1. Collez l'un des petits pieds en caoutchouc clairs fournis sur le support droit de l'enceinte (signalé par la lettre R).



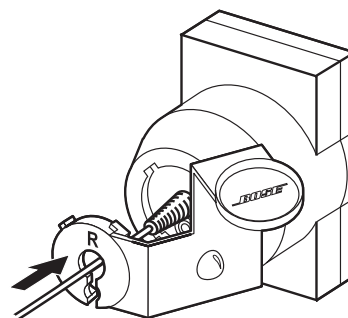
2. Prenez une autre pastille et retirez la protection (un seul côté seulement) afin de découvrir la partie adhésive, puis collez-la au support comme indiqué.



3. Faites passer le câble de l'enceinte par l'orifice situé sur le support comme indiqué.

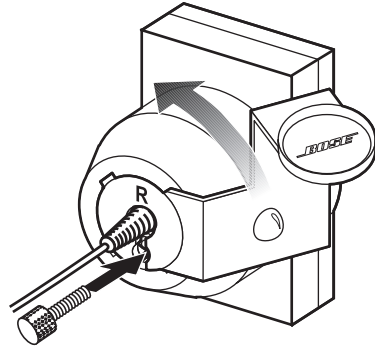


4. Faites glisser le support le long du câble en direction de l'enceinte.

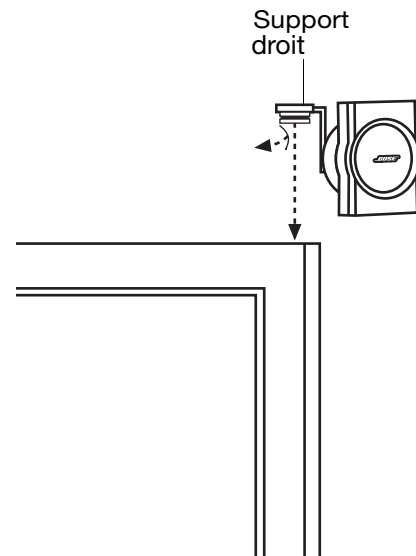


🎵 **Remarque :** Veillez à bien nettoyer l'écran à l'aide d'un chiffon avant de fixer les supports.

5. Alignez les ergots de la partie arrondie du support sur les petites entailles de l'enceinte et appuyez sur le support de façon à l'installer correctement. Faites pivoter le support dans le sens inverse des aiguilles d'une montre pour le fixer. Placez ensuite la vis fournie à l'emplacement indiqué.



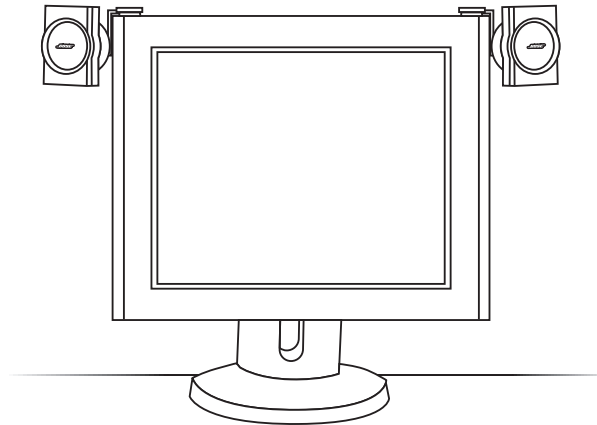
6. Retirez la protection restante de la deuxième pastille et fixez le support sur le côté approprié de l'écran.



7. Répétez les étapes 1 à 6 pour le support gauche (signalé par la lettre L).



Remarque : Les enceintes installées sur un écran sont conçues pour délivrer le meilleur son possible lorsqu'elles sont orientées vers l'extérieur ou légèrement de biais par rapport à l'auditeur. L'auditeur assis peut ainsi bénéficier d'un son d'une qualité proche de la réalité et cette orientation permet également aux autres auditeurs de la pièce de profiter de cette exceptionnelle qualité sonore.



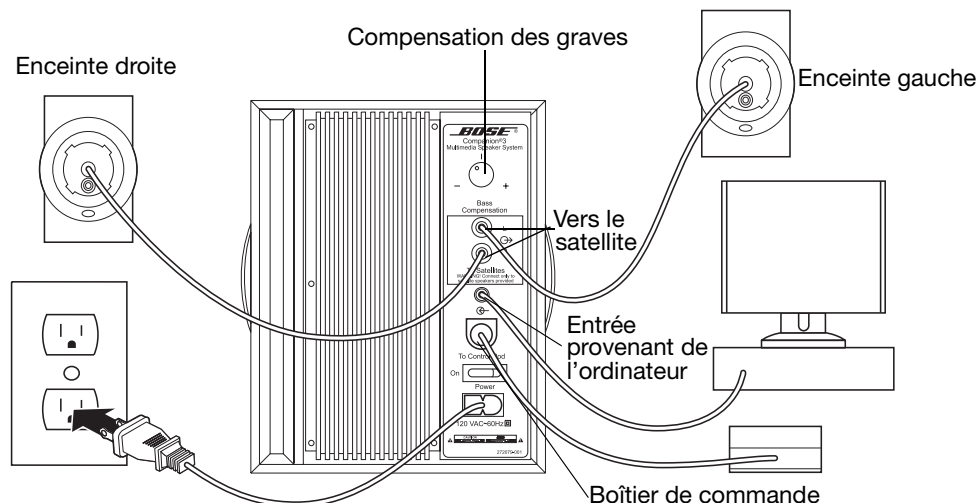
Branchements

Grâce aux prises identifiées par des symboles à l'arrière du module Acoustimass® et aux câbles spécifiques fournis avec le système, les branchements s'effectuent rapidement et simplement (Figure 6).


⚠ ATTENTION : Ne raccordez pas le module Acoustimass à une prise secteur avant d'avoir connecté tous les appareils source au module.

Figure 6

Branchements



Pour brancher :

- les enceintes au module Acoustimass : insérez chaque connecteur d'enceinte dans la prise correspondante (lettre « L » ou « R ») signalée par la mention « To Satellite » (Vers le satellite), à l'arrière du module.
- le boîtier de commande au module Acoustimass : branchez le câble du boîtier de commande sur la prise signalée par la mention « Control Pod » (boîtier de commande), à l'arrière du module Acoustimass.
- la source audio au module Acoustimass : branchez une extrémité du câble d'entrée audio sur la prise Entrée provenant de l'ordinateur  du module Acoustimass. Branchez l'autre extrémité sur la prise de sortie audio de l'ordinateur.

🎵 Remarque : Si votre ordinateur dispose uniquement de deux prises phono au lieu d'un mini-jack stéréo, vous devez alors vous munir d'un câble adaptateur audio. Branchez le câble d'entrée audio du module sur le câble adaptateur. Insérez ensuite les extrémités du câble adaptateur dans les prises phono stéréo de l'ordinateur.

Pour réaliser le branchement final et mettre le système sous tension

1. Insérez la petite extrémité du cordon d'alimentation dans la prise AC INPUT du module.
2. Branchez l'autre extrémité du cordon sur une prise secteur.
3. Appuyez sur le bouton d'alimentation situé à l'arrière du module Acoustimass pour activer le système. La LED jaune du boîtier de commande s'allume et indique qu'il s'agit du mode veille.

Branchements supplémentaires

Pour brancher une source audio supplémentaire :

Pour connecter un lecteur CD ou MP3 à votre système, reliez la prise de sortie de la source audio à la prise d'entrée du boîtier de commande à l'aide d'un câble. Voir Figure 7 page 11.

Pour brancher un casque :

Insérez le connecteur dans la prise de casque sur le boîtier de commande connecté.

🎵 Remarque : Le branchement d'un casque coupe le son au niveau des enceintes.

Fonctionnement du système d'enceintes multimédia Companion® 3

Activation et désactivation du système d'enceintes

1. Allumez votre ordinateur ou activez la source audio.
2. Positionnez l'interrupteur électrique situé à l'arrière du module sur la position ON (I).

♪ **Remarque :** Pour économiser de l'énergie, vous pouvez mettre votre système en mode veille ou silence. Pour activer le mode veille ou silence, appuyez sur la partie centrale du boîtier de commande.

Réglage du son

L'acoustique de la zone d'écoute influe sur la qualité sonore de tout système d'enceintes. Par exemple, des sièges capitonnés, de la moquette ou de lourdes tentures peuvent étouffer les sons aigus (hautes fréquences). De même, les pièces à sol et cloisons bruts ainsi que les sièges nus peuvent produire un son trop aigu.

Son grave

Après avoir utilisé le système d'enceintes, il se peut que vous souhaitiez régler le son. Pour ce faire, utilisez la commande de compensation des sons graves du module Acoustimass®. Tournez le bouton de commande dans le sens des aiguilles d'une montre pour augmenter les graves ou dans le sens inverse pour les baisser. Vous pouvez également déplacer le module pour influencer sur les sons graves. Il vous suffit d'éloigner l'événement, du module, du mur lorsque vous souhaitez réduire le volume des graves ou de le rapprocher du mur lorsque vous souhaitez l'augmenter.

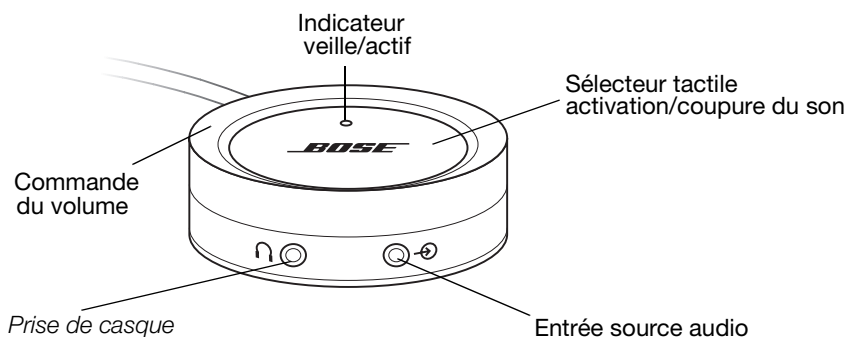
Volume

Utilisez la commande de volume du boîtier de commande, si nécessaire. Faites pivoter l'anneau extérieur dans le sens des aiguilles d'une montre pour augmenter le volume et dans le sens inverse pour le baisser (Figure 7).

Pour mettre le système en mode silence, appuyez légèrement sur le sélecteur tactile argenté du boîtier de commande. Appuyez dessus de nouveau pour désactiver le mode silence. La LED est jaune lorsque le système est en mode silence et verte lorsqu'il est actif.

Figure 7

Fonctions du boîtier de commande connecté



♪ **Remarque :** Le réglage du volume au maximum risque d'enclencher le système électronique de protection interne et de réduire le volume maximum du système d'enceintes.

Si vous souhaitez régler le volume au niveau de la source audio plutôt qu'avec le boîtier de commande, réglez le volume du boîtier de commande de façon à ce qu'il soit presque au maximum et effectuez tous les autres réglages à l'aide de la commande de volume de la source audio. Par exemple, vous pouvez régler le volume sur votre ordinateur à partir de son panneau de commande.

Dépannage

Si vous rencontrez des problèmes avec le système d'enceintes multimédia Companion® 3, essayez les solutions suivantes. Si ces solutions ne permettent pas de résoudre le problème, désactivez la source audio multimédia et débranchez le système d'enceintes. Contactez votre revendeur Bose agréé ou le service client local de Bose. Il vérifiera le défaut et prendra les dispositions nécessaires pour qu'une réparation soit effectuée par un technicien Bose® agréé. Bose Corporation mettra tout en œuvre pour résoudre vos problèmes dans le respect de la garantie applicable.

Problème	Action à entreprendre
Le système d'enceintes ne fonctionne pas.	<ul style="list-style-type: none"> Assurez-vous que tous les branchements sont corrects. Vérifiez si les câbles d'enceintes ne sont pas entaillés ou effilochés, ce qui pourrait entraîner une déconnexion ou un court-circuit (Voir « Branchements », page 10.) Assurez-vous que la source audio est branchée et que le niveau sonore est suffisamment audible. Assurez-vous que l'appareil est sous tension et que le système n'est pas en mode silence. La LED du boîtier de commande doit être verte lorsque le mode silence n'est pas activé. Vérifiez les paramètres de la carte son pour être certain que le paramètre « Digital output only » (Sortie digitale uniquement) est désactivé. Ce paramètre figure généralement dans le menu Options de l'icône de commande du volume. Cette icône est habituellement située dans l'angle inférieur droit du bureau de Windows.
Le son du système d'enceintes est mauvais.	<ul style="list-style-type: none"> Baissez le volume au niveau de la source audio et augmentez le volume à partir du boîtier de commande.
Un satellite ne fonctionne pas ou le son produit est mauvais.	<ul style="list-style-type: none"> Vérifiez tous les branchements entre les enceintes satellites, le boîtier de commande, la source audio et le module Acoustimass. Insérez les connecteurs audio complètement dans les prises du module. Au niveau du module Acoustimass®, inversez le câble connecté au satellite gauche à celui du satellite droit. Si le problème persiste au niveau du même satellite, celui-ci est probablement défectueux. Si le problème est répercuté sur l'autre satellite (celui qui fonctionnait auparavant), le problème provient de la source audio ou du module Acoustimass. Pour déterminer si le problème se situe au niveau de la source audio ou du module Acoustimass, débranchez le câble d'entrée audio de la source audio. Branchez-la ensuite sur une autre source audio, telle qu'une prise de casque de lecteur CD et réglez le volume sur celui-ci. Si le système d'enceintes Companion 3 fonctionne correctement, le problème provient de la source audio d'origine. Si le problème persiste, il se situe au niveau du module Acoustimass. Vérifiez l'équilibrage des niveaux de la source audio.

Entretien du système d'enceintes multimédia Companion® 3

Nettoyage du système

- Essuyez-le avec un chiffon sec.
- N'utilisez pas de solvants ou de produits chimiques.
- Ne versez pas de liquides et n'introduisez pas d'objets sur le panneau arrière ou au niveau de l'ouverture du module Acoustimass®, des grilles d'enceintes ou du boîtier de commande.

Durée de la garantie limitée

Votre système d'enceintes multimédia Companion® 3 est couvert par une garantie limitée transférable. Les conditions détaillées de la garantie limitée sont notées sur la carte d'enregistrement qui accompagne votre système. Veuillez remplir la section « Information » de la carte et la renvoyer par courrier à Bose. Vous pouvez également enregistrer votre produit à l'adresse www.bose.com/register. En cas d'oubli, les droits que vous confère cette garantie limitée ne s'en trouveront pas affectés.

Informations techniques

Caractéristiques

Amplification intégrée
Égalisation active
Circuit de protection automatique
Technologie de traitement de signal stéréo TrueSpace®

Caractéristiques des haut-parleurs

Deux haut-parleurs de longue portée, large bande de 5 cm, équipés d'un blindage magnétique
Un woofer de 13,3 cm

Puissance nominale

États-Unis/Canada : 115 V c.a ~ 50/60 Hz
International : 230 V c.a ~ 50/60 Hz

Dimensions

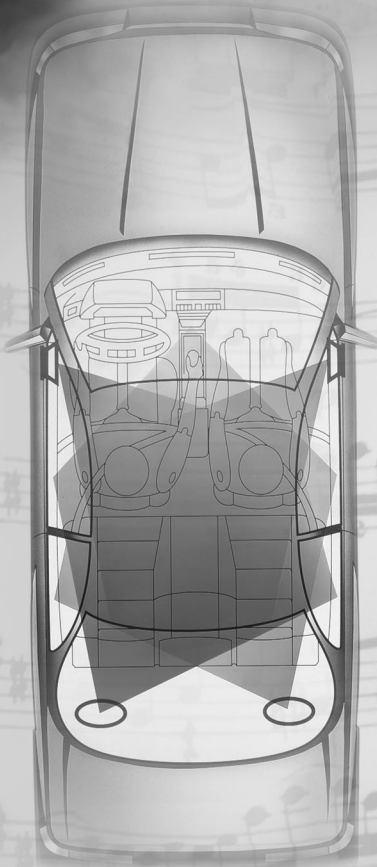
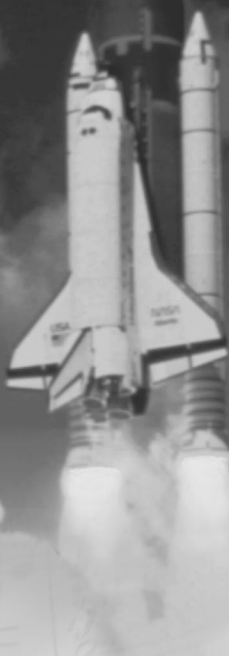
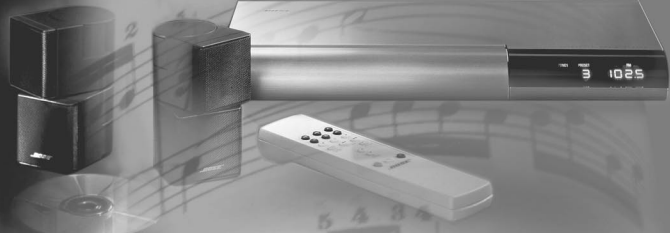
Enceintes satellites : 8,8 cm H x 6,35 cm L x 6 cm P
Module Acoustimass® : 21,9 cm H x 18 cm L x 35,5 cm P
Boîtier de commande : 6,3 cm P x 2,8 cm H

Poids (approximatif)

Système complet dans le carton d'emballage :
Une enceinte satellite déballée : 0,23 kg
Module Acoustimass déballé : 6,98 kg

Finition :

Module Acoustimass : vinyle résistant aux rayures, finition satinée
Enceintes satellites : finition polymère peinte



BOSE®

©2004 Bose Corporation, The Mountain
Framingham, MA 01701-9168 USA
271883 AM Rev.02 CCM-000609

Free Manuals Download Website

<http://myh66.com>

<http://usermanuals.us>

<http://www.somanuals.com>

<http://www.4manuals.cc>

<http://www.manual-lib.com>

<http://www.404manual.com>

<http://www.luxmanual.com>

<http://aubethermostatmanual.com>

Golf course search by state

<http://golfingnear.com>

Email search by domain

<http://emailbydomain.com>

Auto manuals search

<http://auto.somanuals.com>

TV manuals search

<http://tv.somanuals.com>