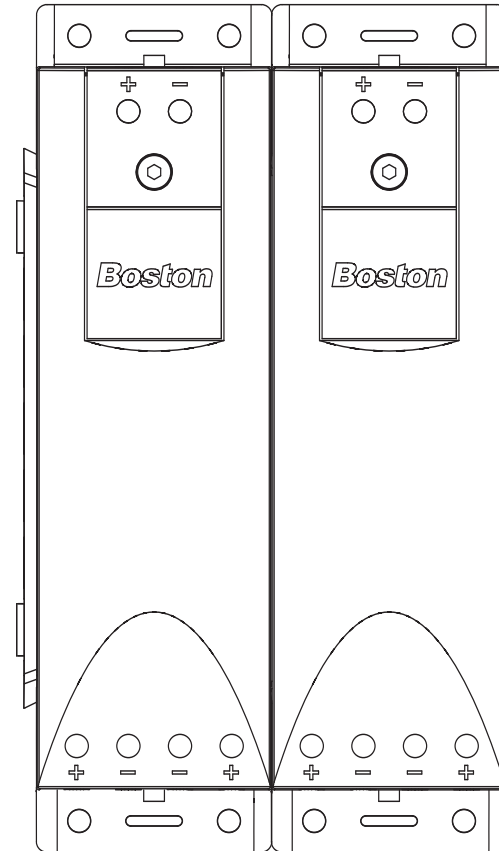
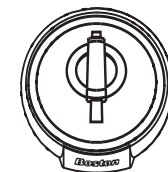
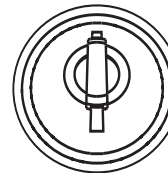
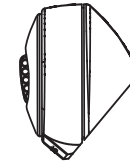
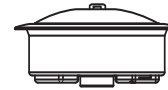
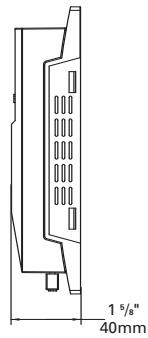


Specifications	Neo Type-M SE
Nominal Size	1"
RMS Power Handling	50 watts
Peak Power Handling	100 watts
Nominal Impedance	8 ohms
Frequency Response (SQ mode)	8kHz–22kHz (± 3dB)
Frequency Response (SPL mode)	3kHz–22kHz (± 3dB)
Sensitivity	90dB (1watt @ 1meter)

#	Description	Quantity
1	Type-M1 1" Allow Dome Tweeter	2
2	Neo Type-M Crossover	2
3	Tweeter Grille	2
4	Tweeter Flush-Mount	2
5	Tweeter Angle-Mount (top)	2
6	Tweeter Angle-Mount (bottom)	2
not shown	Tweeter Hardware Pack	2
7	Spring Clips	4
8	Terminated Tweeter Wire	2
9	#8 x 3/8" Pan Head Screw	2
10	#8 x 1/2" Self-Tapping Screw	4
11	#8 x 1" Self-Tapping Screw	8
12	1 1/2" Hex Nut	2
13	Hex Key	1



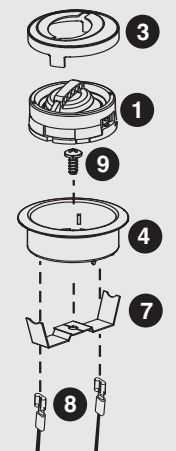
Boston Acoustics, Inc. 300 Jubilee Drive, Peabody, MA 01960 USA T: 978.538.5000 F: 978.538.5100 W: bostonacoustics.com/car  
 Boston, Boston Acoustics, and the Boston Acoustics logo are registered trademarks of Boston Acoustics, Inc.  
 Specifications are subject to change without notice.  
 © 2008 Boston Acoustics, Inc. All rights reserved. Covered by patents issued and/or pending. 142-002098-2

Neo Type-M SE Imaging System

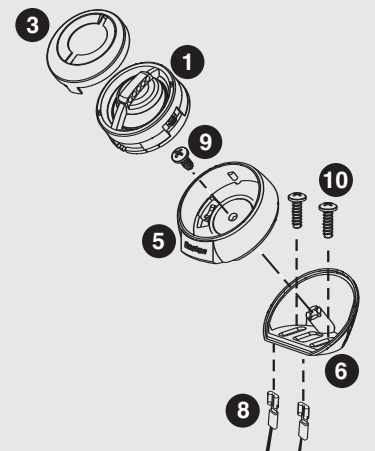
25 YEARS  
 OF PERFORMANCE AND INNOVATION

IS

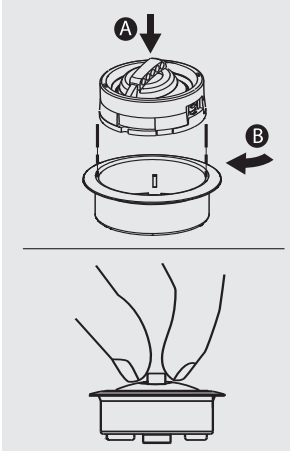
### Flush-Mount



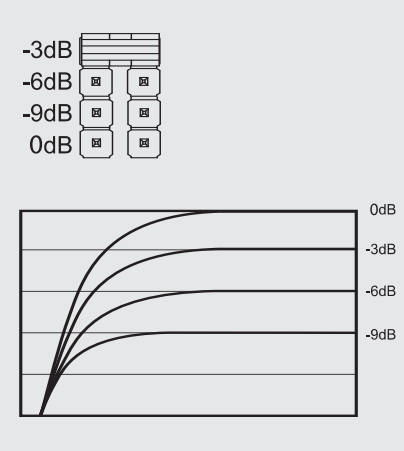
### Angle-Mount



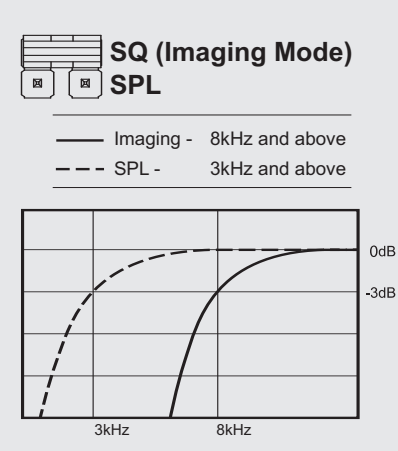
### Tweeter Installation



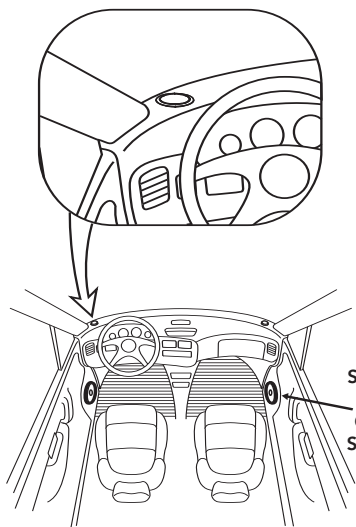
### Tweeter Attenuation - J1



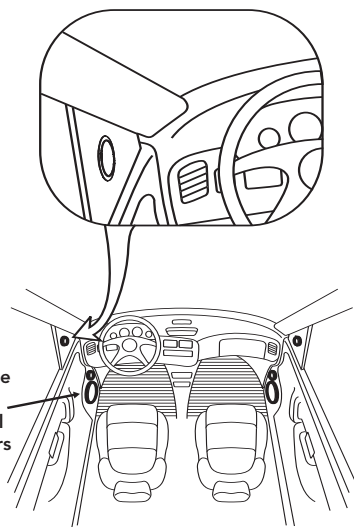
### Crossover Configuration - J2



### Application - Dash Mount

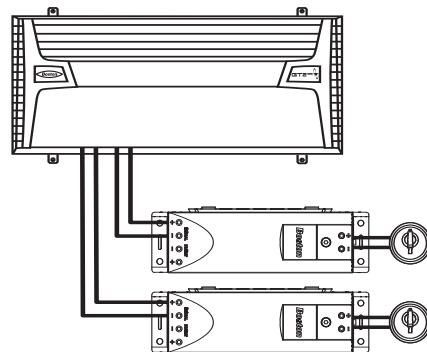


### Application - Door Mount

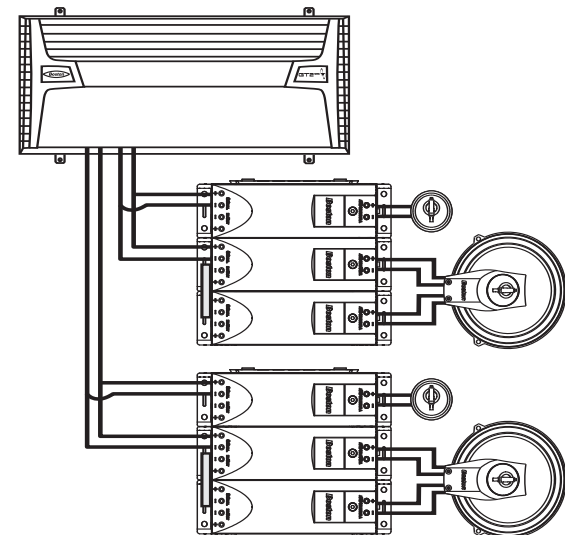


Separate or Coaxial Speakers

### Wiring - Separate Amplification



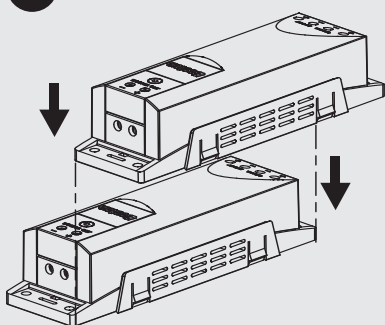
### Wiring - Parallel With Front Speakers



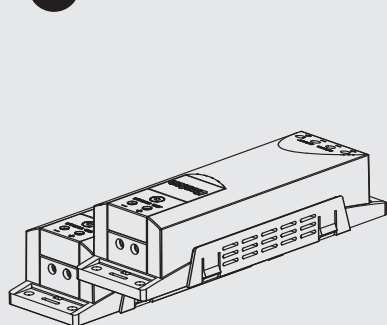
# Key on Back Page

### Connecting / Securing Crossover Cases

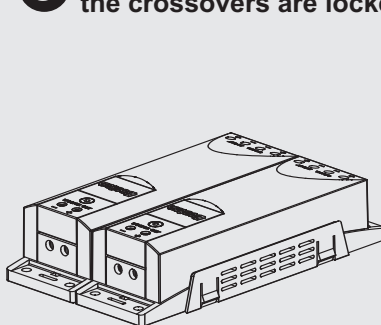
#### A Line Up Crossovers



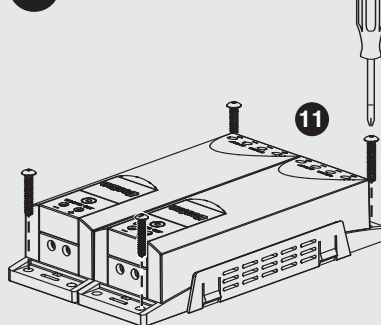
#### B Slide Together



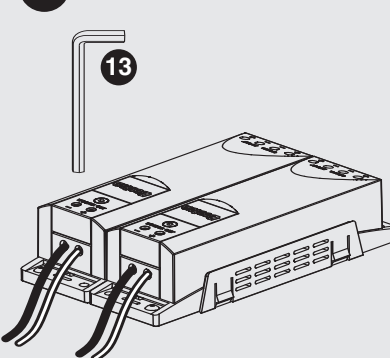
#### C A "Click" indicates that the crossovers are locked



#### D Secure with Hardware



#### E Wiring



## Free Manuals Download Website

<http://myh66.com>

<http://usermanuals.us>

<http://www.somanuals.com>

<http://www.4manuals.cc>

<http://www.manual-lib.com>

<http://www.404manual.com>

<http://www.luxmanual.com>

<http://aubethermostatmanual.com>

Golf course search by state

<http://golfingnear.com>

Email search by domain

<http://emailbydomain.com>

Auto manuals search

<http://auto.somanuals.com>

TV manuals search

<http://tv.somanuals.com>