

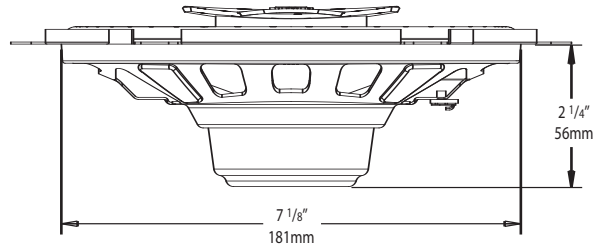
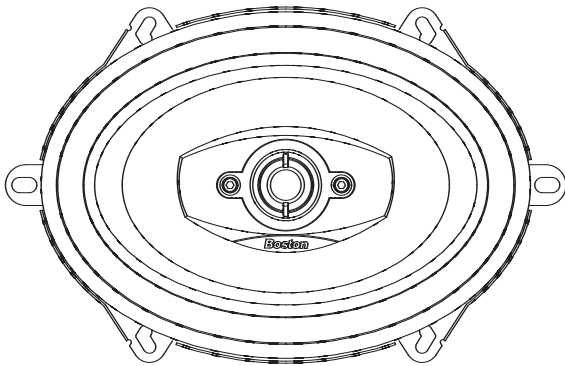


# SX85 5 x 7-inch Coaxial Speakers

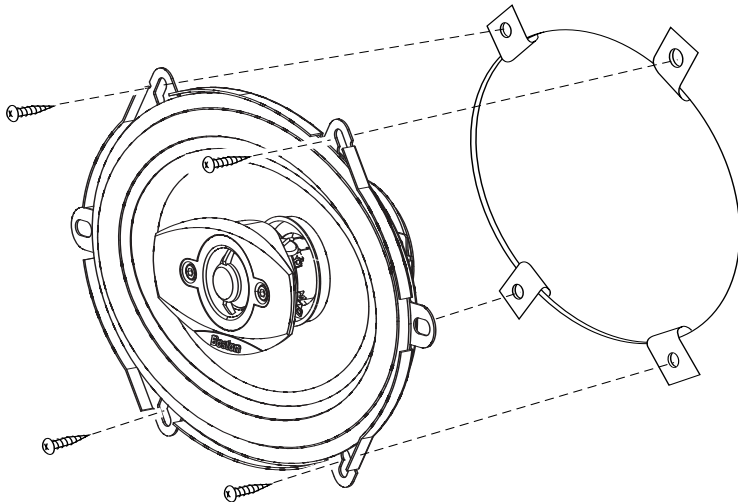
<b>Specifications:</b>	<b>SX85</b>
Nominal Size	5 x 7"
RMS Power Handling	50w
Peak Power Handling	160w
Frequency Response ( $\pm 3$ dB)	50-20kHz
Impedance	4 $\Omega$
Sensitivity (1w/1M)	90dB

<b>SX85 Speakers Include:</b>		
8	x	Hex Head Screw
8	x	Spring Clip
1	x	Hex Key
2	x	Terminated Speaker Wire

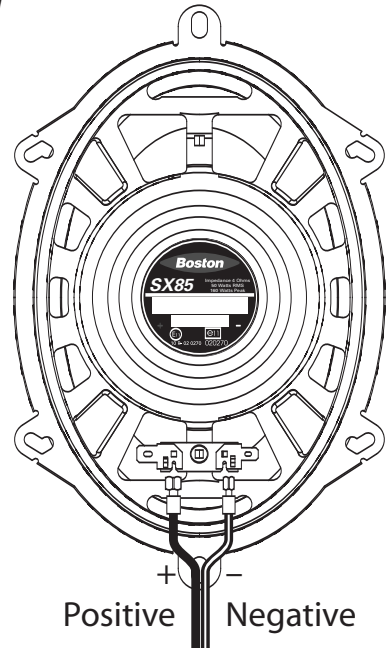
## Dimensions



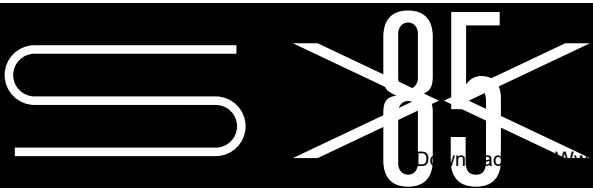
## Installation



## Wiring



**Boston Acoustics, Inc.** 300 Jubilee Drive Peabody, Massachusetts 01960 U.S.A. [bostonacoustics.com](http://bostonacoustics.com)  
 © 2005 Boston Acoustics, Inc. All rights reserved. Boston, Boston Acoustics, and the Boston Acoustics logo are registered trademarks of Boston Acoustics, Inc.



## Free Manuals Download Website

<http://myh66.com>

<http://usermanuals.us>

<http://www.somanuals.com>

<http://www.4manuals.cc>

<http://www.manual-lib.com>

<http://www.404manual.com>

<http://www.luxmanual.com>

<http://aubethermostatmanual.com>

Golf course search by state

<http://golfingnear.com>

Email search by domain

<http://emailbydomain.com>

Auto manuals search

<http://auto.somanuals.com>

TV manuals search

<http://tv.somanuals.com>