



Figure 1

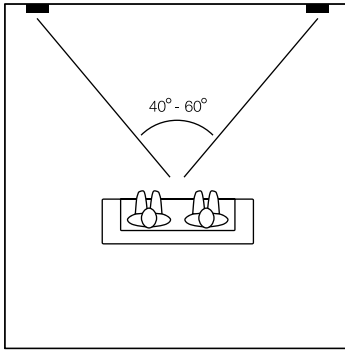


Figure 2

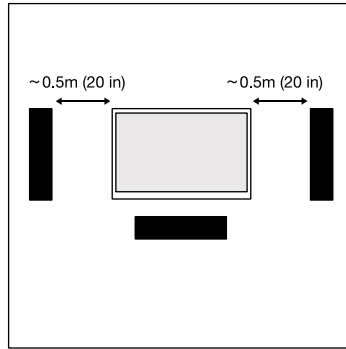


Figure 3

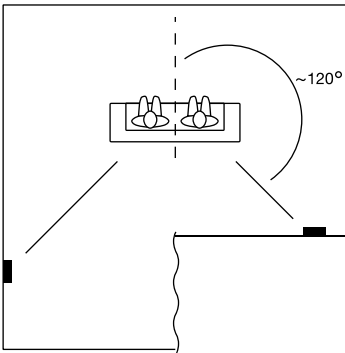


Figure 4

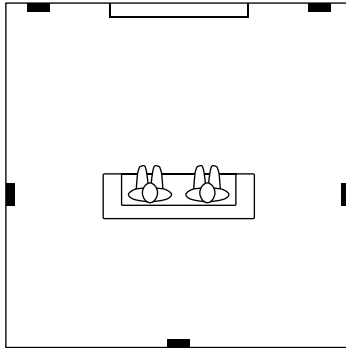


Figure 5

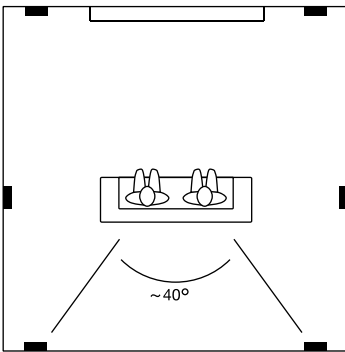


Figure 6

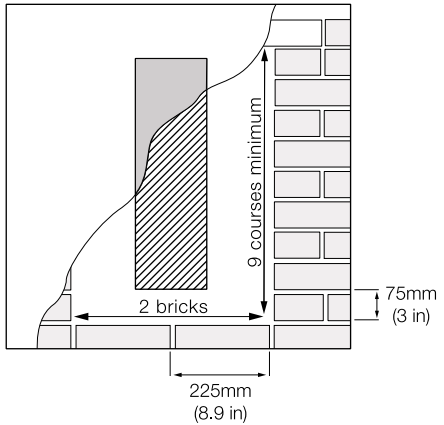


Figure 7

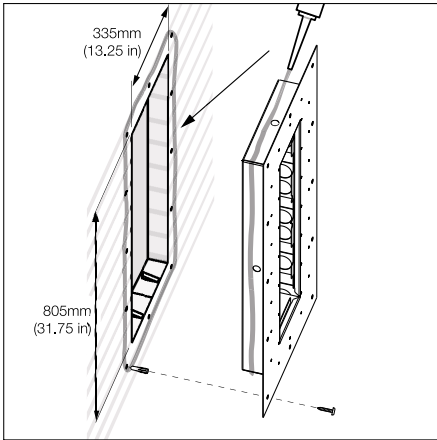


Figure 8

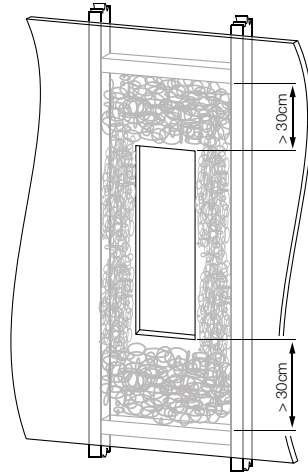


Figure 9

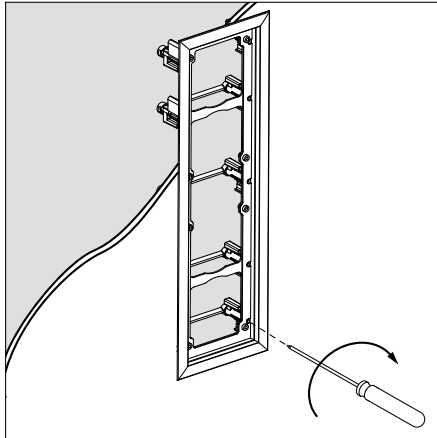


Figure 10

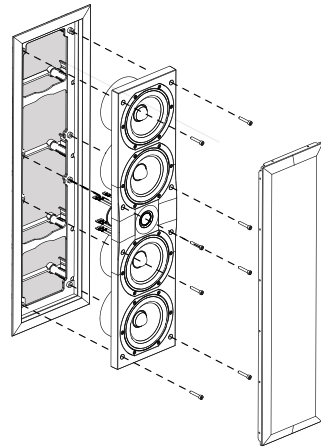


Figure 11

AWG	0.2 Ω	0.3 Ω	0.4 Ω	0.5 Ω	Loop Resistance
20	10	15	20	25	Feet
18	16	23	31	39	
16	25	37	49	62	
14	39	59	78	98	
12	62	93	124	155	
10	98	147	196	245	
9	123	185	247	309	

mm ²	0.2 Ω	0.3 Ω	0.4 Ω	0.5 Ω	Loop Resistance
0.5	2.9	4.4	5.9	7.4	Metres
0.75	4.4	6.6	8.8	11.0	
1	5.9	8.8	11.8	14.7	
1.5	8.8	13.2	17.6	22.1	
2.5	14.7	22.1	29.4	36.8	
4	23.5	35.3	47.1	58.8	
6	35.3	52.9	70.6	88.2	

Contents

English

Limited Warranty.....	2
Owner's Manual.....	2

Français

Garantie limitée.....	3
Manuel d'utilisation	4

Deutsch

Garantie	5
Bedienungsanleitung.....	6

Español

Garantía limitada.....	8
Manual de instrucciones	8

Português

Garantia limitada.....	10
Manual do utilizador.....	10

Italiano

Garanzia limitata	12
Manuale di istruzioni ...	12

Nederlands

Beperkte garantie	14
Handleiding	14

Ελληνικά

Περιορισμένη εγγύηση.....	16
Οδηγίες Χρήσεως	16

Русский

Ограниченная гарантия.....	18
Руководство по эксплуатации	18

Česky

Záruka	20
Návod k použití.....	21

Magyar

Korlátozott garancia ..	22
Használati útmutató ..	23

Polski

Gwarancja	24
Instrukcja użytkownika	25

日本語

有限保証	27
取扱説明書	27

中文

有限担保	28
用户说明书	29

English

Limited Warranty

Dear customer, welcome to B&W.

This product has been designed and manufactured to the highest quality standards. However, if something does go wrong with this product, B&W Loudspeakers and its national distributors warrant free of charge labour (exclusion may apply) and replacement parts in any country served by an official B&W distributor.

This limited warranty is valid for a period of five years from the date of purchase or two years for electronics including amplified loudspeakers.

Terms and Conditions

- 1 The warranty is limited to the repair of the equipment. Neither transportation, nor any other costs, nor any risk for removal, transportation and installation of products is covered by this warranty.
- 2 This warranty is only valid for the original owner. It is not transferable.
- 3 This warranty will not be applicable in cases other than defects in materials and/or workmanship at the time of purchase and will not be applicable:
 - a. for damages caused by incorrect installation, connection or packing,
 - b. for damages caused by any use other than correct use described in the user manual, negligence, modifications, or use of parts that are not made or authorised by B&W,
 - c. for damages caused by faulty or unsuitable ancillary equipment,
 - d. for damages caused by accidents, lightning, water, fire heat, war, public disturbances or any other cause beyond the reasonable control of B&W and its appointed distributors,
 - e. for products whose serial number has been altered, deleted, removed or made illegible,
 - f. if repairs or modifications have been executed by an unauthorised person.
- 4 This guarantee complements any national/regional law obligations of dealers or national distributors and does not affect your statutory rights as a customer.

How to claim repairs under warranty

Should service be required, please follow the following procedure:

- 1 If the equipment is being used in the country of purchase, you should contact the B&W authorised dealer from whom the equipment was purchased.
- 2 If the equipment is being used outside the country of purchase, you should contact B&W national distributor in the country of residence who will advise

where the equipment can be serviced. You can call B&W in the UK or visit our web site to get the contact details of your local distributor.

To validate your warranty, you will need to produce this warranty booklet completed and stamped by your dealer on the date of purchase. Alternatively, you will need the original sales invoice or other proof of ownership and date of purchase.

Owner's manual

Introduction

Thank you for purchasing Bowers and Wilkins CWM LCR8 speakers.

Since its foundation in 1966, the continuing philosophy of B&W has been the quest for perfect sound reproduction. Inspired by the company's founder, the late John Bowers, this quest has entailed not only high investment in audio technology and innovation but also an abiding appreciation of music and movies to ensure that the technology is put to maximum effect.

The CWM LCR8 is an audiophile quality in-wall speaker that may be used in vertical or horizontal orientation, the latter aesthetically better for centre channel applications.

However, no matter how good the speakers themselves, they will not deliver their full potential unless properly installed. Please read through this manual fully. It will help you optimise the performance of the system.

B&W distributes to over 60 countries worldwide and maintains a network of dedicated distributors who will be able to help should you have any problems your dealer cannot resolve.

Check the contents

The outer carton should contain:

In pack 1:

Wall frame,
Grille with fabric scrim backing,
Mounting template,
Paint mask.

In pack 2:

Baffle with drive units and crossover,
Fixing screws.

Choosing the position

Check that there is no conflict with other installations (pipe work, air conditioning, power cabling etc.). In existing drywall construction, use a stud-finding tool to map the construction accurately, and a pipe detector to scan the proposed installation position. Refer to the section drawing of the speaker and ensure that there is enough clearance behind the plasterboard (sheetrock) for the clamps to swing out fully. Avoid installing the speakers in the same cavity as flimsy ducting, which may be induced to rattle. The speakers are designed to operate satisfactorily in a wide range of cavity volumes, ideally above 20 litres (0.7 cu ft), so make sure the

volume is not too restricted by cross studs. This is particularly important when the speaker is installed in horizontal orientation for centre channel applications. In order to fit the speaker horizontally, part of one vertical stud will have to be removed and this will necessitate the use of two cross studs to maintain the strength and integrity of the wall.

In solid wall construction, be prepared to provide a cavity in the wall that extends outside the boundaries of the speaker's frame, otherwise bass performance will be compromised. The speakers are balanced for half-space mounting (ie flush in a ceiling or soffit). Placement near a wall/ceiling junction or in a corner may give rise to too much bass and a boomy quality to the sound. Try to keep the speakers at least 0.5m (20in) from wall/ceiling edges. The following sections give guidance on optimum positioning, but this may be modified in line with domestic constraints.

WARNING: The speakers produce a static magnetic field. As such they should not be placed within 0.5m (20in) of equipment that may be affected by such a field (eg Cathode Ray Tubes in TVs and Personal Computers).

Front speakers for audio or home theatre

Best imaging for 2-channel is obtained when the speakers are mounted in the wall in vertical orientation, with the tweeters approximately at ear height and making an angle between 40° and 60° at the centre of the listening position. (figure 1)

For multi-channel home theatre the left and right speakers should be approximately 0.5m (20 in) from the edges of the screen and they and the centre speaker should be as near the centre height of the screen as possible. For a centre speaker, horizontal orientation is normally preferred for aesthetic reasons and you should choose between above or below screen mounting depending on which is nearer ear height. (figure 2)

Surround speakers

The speakers should be positioned with the tweeters 60cm (2 ft) or more above head height.

5.1 Channel

The horizontal angle to the centre of the listening position should be approximately 120° round from the centre of the screen. (figure 3)

6.1 Channel Position

Two speakers to the sides in line with the centre of the listening area and one centrally behind the listeners (figure 4)

7.1 Channel Position

Two speakers to the sides in line with the centre of the listening area and two behind the listeners, subtending an angle of approximately 40°. (figure 5)

PREPARING THE LOCATION

Choosing cable

Excessive resistance in the speaker cable wastes power and alters the frequency response of the speaker. Always try to keep the resistance as low as possible with the loop resistance preferably below 0.5 ohms for non-critical applications and below 0.2 ohms for best results. Use the table of figure 11 to calculate the minimum gauge of cable required.

Existing drywall construction (retrofit)

Position the template at the desired location of the speaker. The template is marked with both vertical and horizontal centre lines to aid alignment.

Trace round the outer edge of the template and cut neatly just inside the line.

To improve the mechanical integrity of the wall and reduce the likelihood of rattles, we recommend you apply a bead of wood glue or mastic along the joints between the back of the plasterboard and the studs in the vicinity of the speaker.

Run the cable to the aperture, allowing enough length to comfortably connect the speaker, but not too much, as the excess may rattle against the structure.

New drywall construction

The speaker can be installed once the wall is completed in the same manner as retrofitting, but it is easier to position and cut the hole if the optional pre-mount kit is used before the plasterboard (sheetrock) is fitted. Staple or nail the PMK to the studs as described in the instructions with the kit. Run the cable and secure it to the fixing point on the PMK. Allow enough length to comfortably connect the speaker, but not too much, as the excess may rattle against the structure. Results are affected by how well the plasterboard is attached to the studs and we recommend gluing as well as screwing or nailing the panels to the studs in the vicinity of the speaker. Once the board is fitted, the inner flange of the PMK serves as a guide for a hole router or saw. If extra acoustic isolation to adjoining rooms is required or some protection against the spread of fire, use the optional back box in place of the PMK. Follow the instructions with the back box for fitting and running the cable. When fitting the plasterboard, use mastic between the sheets and the back box to avoid rattles. Rout or saw out the speaker aperture using the backbox flange as a guide. Depending on the diameter of the router, you may need to square off the corners with a saw.

Solid wall construction

In order for the bass performance not to be compromised, the speaker requires a cavity volume of at least 20 litres (0.7 cu ft). This means that, in a standard 10cm (4 in) thick wall, the cavity will extend beyond the boundaries of the speaker frame. It is possible to provide this cavity simply by using a lintel, covering the hole with plasterboard and fitting the speaker as described above for retrofitting into a drywall. (figure 6) However,

the back box provides a useful means of defining the minimum volume required.

Follow the instructions with the back box for fitting and running the cable. If using a wet plaster finishing method, first paint a layer of PVA adhesive onto the back box before plastering to avoid rattles as a result of the plaster shrinking away from the back box as it dries. If using plasterboard (sheetrock), stick the sheets to the surfaces of the back box using flexible mastic. Rout out the aperture using the flange as a guide. Depending on the diameter of the router, you may need to square off the corners with a saw. In all cases, we recommend not using cement or mortar to fix the back box into the brick or blockwork. rattles are best avoided by using flexible mastic and wedges. (figure 7)

Damping the cavity

Fill the wall cavity or back box, but not the space immediately behind the speaker, with unlined fibreglass or mineral wool matting. The packing density should be just enough to comfortably prevent the material from dropping or sagging over time. In an open wall cavity, fill to a distance of at least 30cm (1 ft) above and below the speaker. (figure 8)

IMPORTANT: Ensure that the materials you use meet local fire and safety regulations.

Fitting the speaker

All connections should be made with the equipment switched off.

With the grille and speaker baffle removed, position the wall frame in the aperture and screw in the 10 screws visible from the front. (figure 9) These screws automatically swing out clamping dogs that locate behind the mounting surface. Ensure that they have located properly before fully tightening the screws. A certain amount of flexing of the frame is allowed to take up unevenness in the mounting surface, but do not overtighten the screws as excessive distortion of the speaker frame may result and the grille will be difficult to fit.

Connect the cable, observing the correct polarity.

Once the wall frame is secure, screw in the baffle with the drive units and crossover, using the 8 screws provided. (figure 10) Check that the grille will slide comfortably into place without fitting it fully. If it is too tight, remove the baffle and check the wall frame clamps for excessive tightening and distortion.

Customising

The frame has a paintable white semi-matte finish, ready if necessary to be re-finished to match your own decor. Remove the grille and fit the paint mask before re-finishing. Do not re-finish the drive units or baffle area behind the grille. Avoid touching the drive units, as damage may result.

Before painting the grille, peel off the fabric scrim from the back, otherwise the pores will get clogged and the sound will be impaired. If the scrim does not stay in place properly when replaced, spray the back of the grille mesh (NOT the scrim) with a light coating of 3M SprayMount adhesive or similar.

Français

Garantie limitée

Cher Client,

Bienvenue à B&W.

Ce produit a été conçu et fabriqué en vertu des normes de qualité les plus rigoureuses. Toutefois, en cas de problème, B&W Loudspeakers et ses distributeurs nationaux garantissent une main d'œuvre (exclusions possibles) et des pièces de rechange gratuites dans tout pays desservi par un distributeur agréé de B&W.

Cette garantie limitée est valide pour une période de cinq ans à compter de la date d'achat ou une période de deux ans pour les composants électroniques, y compris les haut-parleurs amplifiés.

Conditions

- 1 La garantie est limitée à la réparation de l'équipement. Les frais de transport ou autres, les risques associés à l'enlèvement, au transport et à l'installation des produits ne sont pas couverts par cette garantie.
- 2 La garantie est exclusivement réservée au propriétaire d'origine et ne peut pas être transférée.
- 3 Cette garantie ne s'applique qu'aux produits faisant l'objet de vices de matériaux et/ou de construction au moment de l'achat et ne sera pas applicable dans les cas suivants :
 - a. détériorations entraînées par une installation, connexion ou un emballage incorrect,
 - b. détériorations entraînées par un usage autre que l'usage correct décrit dans le manuel de l'utilisateur, la négligence, des modifications ou l'usage de pièces qui ne sont pas fabriquées ou agréées par B&W,
 - c. détériorations entraînées par un équipement auxiliaire défectueux ou qui ne convient pas,
 - d. détériorations résultant de : accidents, foudre, eau, chaleur, guerre, troubles de l'ordre public ou autre cause ne relevant pas du contrôle raisonnable de B&W ou de ses distributeurs agréés,
 - e. les produits dont le numéro de série a été modifié, effacé, éliminé ou rendu illisible,
 - f. les produits qui ont été réparés ou modifiés par une personne non autorisée.
- 4 Cette garantie vient en complément à toute obligation juridique nationale / régionale des revendeurs ou distributeurs nationaux et n'affecte pas vos droits statutaires en tant que client.

Comment faire une réclamation en vertu de la garantie

Veuillez respecter la procédure ci-dessous, si vous souhaitez faire une réclamation sous garantie :

- 1 Si l'équipement est utilisé dans le pays d'achat, veuillez contacter le distributeur agréé de B&W qui a vendu l'équipement.
- 2 Si l'équipement est utilisé dans un pays autre que le pays d'achat, veuillez contacter le distributeur national B&W du pays de résidence, qui vous indiquera où vous pouvez faire réparer l'équipement. Vous pouvez appeler B&W au Royaume-Uni ou consulter notre site Web pour obtenir les coordonnées de votre distributeur local.

Afin de valider votre garantie, vous devez présenter ce livret de garantie qui aura été rempli et tamponné par votre revendeur le jour de l'achat. En l'absence de ce livret, vous devez présenter l'original de la facture commerciale ou une autre preuve d'achat et de la date d'achat.

Manuel d'utilisation

Introduction

Nous vous remercions pour l'achat de ces enceintes Bowers et Wilkins CWM LCR8.

Depuis sa création en 1966, la philosophie de B&W a été la recherche permanente de la perfection de la reproduction sonore. Inspirée par son fondateur, le regretté John Bowers, cette quête a nécessité non seulement d'importants investissements dans la technologie audio, mais aussi une profonde connaissance de la musique et des spécificités du son cinématographique.

La CWM LCR8 est une enceinte encastrable de qualité audiophile, pouvant être montée verticalement ou horizontalement, cette dernière position étant plus esthétique en utilisation comme enceinte de canal central.

Cependant, quelle que soit la qualité intrinsèque d'une enceinte acoustique, elle ne peut délivrer ses meilleures performances que correctement installée. Nous vous conseillons donc de lire attentivement ce manuel d'utilisation ; il vous aidera à optimiser les performances de votre installation.

B&W est distribué dans plus de 60 pays dans le monde entier, par l'intermédiaire de distributeurs spécialement sélectionnés ; ceux-ci pourront vous aider à résoudre d'éventuels problèmes ignorés par votre revendeur.

Vérification du contenu

L'emballage externe doit contenir :

Dans le carton 1 :

- Le châssis mural
- La grille frontale avec son tissu interne
- Le gabarit de montage
- Le masque de protection pour peinture

Dans le carton 2 :

- Le baffle avec les haut-parleurs et le filtre
- Les vis de fixation

Choix de la position

Vérifiez qu'il n'y ait aucun conflit avec une autre installation (tuyau, climatisation, câblage électrique, etc.). Dans les cloisons en dur existantes, utilisez des outils spéciaux pour sonder soigneusement le mur et détecter la présence éventuelle de conduits. Reportez-vous au schéma de l'enceinte pour vérifier qu'il y a suffisamment d'espace derrière une cloison creuse pour son encastrement, et que ses fixations pourront être fermement maintenues. Évitez d'installer les enceintes dans une cavité où se trouvent déjà des gaines flottantes susceptibles de vibrer. Les enceintes sont conçues pour fonctionner parfaitement dans une large gamme de volumes de charge, idéalement supérieures à 20 litres ; assurez-vous que le volume ne soit pas limité par des renforts internes. Ceci est particulièrement important en orientation horizontale (canal central). Dans ce cas, il faudra certainement couper un support vertical de la cloison, et renforcer l'armature par deux nouveaux supports horizontaux en croix, afin de maintenir la rigidité et l'intégrité de l'ensemble de la cloison.

Dans un mur plein, une cavité sera creusée dans ce mur, cavité qui devra dépasser les limites externes de l'enceinte sous peine d'en limiter les performances dans le grave. Les enceintes sont équilibrées pour un montage dans un espace relativement dégagé (mur ou cloison). Une position trop près de la jonction entre un mur et le plafond peut se traduire par un excès de grave et l'apparition de résonances dans les basses. Essayez de conserver une distance minimum de 0,5 mètre avec les angles murs/plafond de la pièce. Les paragraphes suivants vous donnent quelques conseils pour un positionnement optimum, conseils qui peuvent être adaptés en fonction des contraintes particulières à chaque situation.

ATTENTION : les enceintes produisent un champ magnétique permanent. Elles ne doivent donc pas être installées à moins de 0,5 mètre d'un appareil affecté par un tel champ magnétique (par exemple, tube cathodique d'un téléviseur ou moniteur informatique).

Enceintes frontales audio ou Home Cinema

La meilleure image en 2 canaux est obtenue lorsque les enceintes sont encastrées en position verticale, avec leur tweeter placé approximativement à hauteur d'oreille, et formant un angle compris entre 40° et 60° par rapport à la position centrale d'écoute. (figure 1)

Pour le Home Cinema multicanal, les enceintes gauche et droite doivent être placées à environ 0,5 mètre des bords de l'écran, l'enceinte centrale se trouvant le plus près possible du centre de l'écran. Pour cette enceinte centrale, un positionnement horizontal est normalement préférable pour des raisons esthétiques, et vous choisirez un positionnement au-dessus ou au-dessous de l'écran suivant la hauteur des oreilles des spectateurs. (figure 2)

Enceintes surround

Les enceintes doivent être installées avec leur tweeter placé à 60 cm ou plus de la tête des spectateurs.

5.1 Canaux

La position des enceintes doit approximativement former un angle de 120° par rapport à la position centrale d'écoute. (figure 4)

6.1 Canaux

Placez deux enceintes sur les côtés, sur la même ligne que les spectateurs, plus une au centre, derrière les spectateurs. (figure 4)

7.1 Canaux

Placez deux enceintes sur les côtés, sur la même ligne que les spectateurs, et deux enceintes derrière les spectateurs, formant un angle d'environ 40°. (figure 5)

PRÉPARATION DE L'INSTALLATION

Choix du câble

Une résistance électrique trop élevée du câble de liaison limite la puissance et altère la réponse en fréquence de l'enceinte. Toujours conserver la résistance la plus faible possible, de préférence au-dessous de 0,5 ohms pour une utilisation ordinaire et à moins de 0,2 ohms pour une utilisation plus sérieuse. Consultez le tableau de la figure 11 pour calculer le diamètre (gauge) de câble minimum requis.

Cloison creuse existante

Positionnez le gabarit sur la position d'installation de l'enceinte désirée. Ce gabarit propose à la fois les lignes de centrage horizontales et verticales, pour un alignement parfait.

Tracez le contour externe du gabarit sur le mur, puis coupez la cloison précisément juste à l'intérieur de ce tracé.

Pour améliorer la rigidité mécanique de la cloison et éliminer tout risque de vibrations, nous vous recommandons d'appliquer un cordon de colle ou de mastic entre la cloison proprement dite et ses supports, dans tout le voisinage de l'enceinte.

Passez le câble dans l'ouverture, en laissant suffisamment de longueur pour pouvoir confortablement brancher l'enceinte, mais pas trop tout de même afin d'éviter tout risque de vibration ultérieure.

Nouvelle cloison creuse

L'enceinte peut être installée une fois la cloison posée, exactement comme dans le cas précédent. Mais il sera sûrement plus simple de localiser la position, faire le trou et fixer le kit de prémontage optionnel avant que le revêtement externe de la cloison ne soit mis en place. Agrafez ou clouez le kit PMK aux supports de cloison comme indiqué dans les instructions fournies avec le kit. Passez le câble et sécurisez-le en le fixant sur le kit PMK. Laissez suffisamment de longueur pour pouvoir confortablement brancher l'enceinte, mais pas trop tout de même afin d'éviter tout risque de vibration ultérieure. Les résultats dépendront aussi de la façon

dont le revêtement de la cloison est fixé sur ses supports, et nous vous recommandons de coller, en plus d'une fixation par agrafage ou vissage, les panneaux placés près de l'enceinte. Une fois le panneau fixé, les bords intérieurs du kit PMK servent de guides pour le sciage. Si une isolation acoustique supplémentaire des pièces adjacentes, ou une protection contre l'incendie sont nécessaires, utilisez le volume arrière optionnel "Back box" à la place du kit PMK. Suivez les instructions fournies avec le "Back box" pour placer et tirer le câble. Lors de la fixation du panneau, utilisez du mastic entre le revêtement et le "Back box" pour éviter les vibrations. Découpez l'ouverture nécessaire à l'enceinte en utilisant les contours du "Back box" comme guides. Suivant le type d'outil utilisé, vous devrez peut-être découper précisément les angles avec une scie.

Mur plein

Afin que les performances dans les fréquences graves ne soient pas compromises, l'enceinte nécessite une cavité arrière d'un volume d'au moins 20 litres. Cela signifie que, sur un mur plein standard de 10 cm d'épaisseur, la cavité devra dépasser les limites visuelles de l'enceinte (largeur et hauteur). Une des solutions consiste à percer une ouverture plus grande soutenue par un linteau, puis à recouvrir le trou ainsi pratiqué avec un panneau de cloison creuse. La fixation de l'enceinte se fera alors comme dans les cas précédents. (figure 6) Cependant, l'utilisation du volume "Back box" est optimale, car elle définit le volume minimum requis.

Suivez les instructions fournies avec le "Back box" pour placer et tirer le câble. Si vous utilisez un revêtement final nécessitant une humidification, passez tout d'abord une couche de colle PVA à l'arrière du "Back box", afin d'éviter les éventuelles vibrations du revêtement entrant en contact avec le Back box, une fois sec. Si vous utilisez un panneau plastifié (sheetrock), plaquez cette feuille au Back box en utilisant du mastic, toujours pour éviter les vibrations. Utilisez les contours du "Back box" comme guides. Suivant le type d'outil utilisé, vous devrez peut-être découper précisément les angles avec une scie. Dans tous les cas, nous ne recommandons pas l'utilisation de ciment ou mortier pour fixer le Back box dans le mur plein. Les vibrations seront plus efficacement éliminées en utilisant du mastic et des cales. (figure 7)

Amortissement de la cavité

Remplissez la cavité du mur ou le Back box, mais pas directement l'espace derrière les haut-parleurs, avec de la laine de verre ou de la laine minérale. La densité de cet amortissement doit être juste suffisante pour éviter que le matériau employé ne se tasse ou ne se déplace avec le temps. Dans une paroi creuse, remplissez tout l'espace au moins à 30 cm au-dessus et au-dessous de l'enceinte. (figure 8)

IMPORTANT : Assurez-vous que tous les matériaux employés satisfont bien aux normes de sécurité et anti-incendie en vigueur.

Installation de l'enceinte

Tous les branchements doivent être effectués avec l'équipement électronique éteint.

La grille frontale et le baffle étant retirés, positionnez le châssis mural dans son ouverture, et vissez les 10 vis visibles depuis la face avant. (figure 9) Ces vis déploient et serrent automatiquement les crochets de fixation placés derrière le châssis. Vérifiez qu'ils se sont tous positionnés correctement avant de les visser à fond. Un certain degré de flexibilité du châssis est prévu pour compenser des irrégularités de la surface de montage, mais ne serrez pas trop les vis si une nette déformation apparaît : le baffle et sa grille ne pourraient plus ensuite être parfaitement encastrés dans le châssis.

Branchez le câble, en respectant la polarité correcte.

Une fois le châssis parfaitement installé et sécurisé, vissez le baffle supportant les haut-parleurs et le filtre avec les 8 vis fournies. (figure 10) Vérifiez que la grille frontale est parfaitement en place avant de l'enfoncer complètement dans son logement. Si cela est impossible, retirez le baffle et vérifiez que les crochets ne sont pas vissés trop fort, entraînant une déformation excessive du châssis.

Personnalisation

Le châssis est recouvert d'une peinture semi-mate, prête à recevoir une peinture de finition adaptée à votre décoration. Retirez la grille, et utilisez le masque de protection pour peinture fourni avant de peindre. Ne jamais tenter de peindre les haut-parleurs ou la surface du baffle placée derrière la grille ! Évitez aussi de toucher les haut-parleurs pendant les travaux de peinture, sous peine d'endommagement irrémédiable de ceux-ci.

Avant de peindre la grille frontale, retirez délicatement le tissu de protection interne, afin de ne pas obstruer les pores de celui-ci, ce qui dégraderait la qualité sonore. Si le tissu refuse de se replacer correctement ensuite, pulvérisez légèrement de la colle en bombe type 3M SprayMount ou équivalent à l'arrière de la grille (et PAS directement sur le tissu).

Deutsch

Garantie

Sehr geehrte Kundin, sehr geehrter Kunde, willkommen bei B&W.

Dieses Produkt wurde nach den höchsten Qualitätsstandards entwickelt und hergestellt. Sollte dennoch der unwahrscheinliche Fall eintreten, dass Sie als Kunde Grund zur Reklamation haben, werden B&W Loudspeakers und seine nationalen Vertriebsgesellschaften das fehlerhafte Produkt ohne Berechnung der Arbeits- und Materialkosten (abgesehen von einigen Ausnahmen) in jedem Land, in dem eine offizielle B&W-Vertriebsgesellschaft vertreten ist, reparieren.

Die Garantiezeit beträgt fünf Jahre ab Kaufdatum bzw. zwei Jahre auf Aktivlautsprecher und elektronische Bauteile.

Garantiebedingungen

1. Die Garantie ist auf die Reparatur der Geräte beschränkt. Weder der Transport noch sonstige Kosten, noch das Risiko des Ausbaus, des Transports und der Installation der Produkte wird von dieser Garantie abgedeckt.
2. Diese Garantie gilt nur für den Originalbesitzer. Sie ist nicht übertragbar.
3. Diese Garantie ist nur dann gültig, wenn zum Zeitpunkt des Kaufs Fabrikations- und/oder Materialfehler vorliegen und nicht:
 - a. bei Schäden durch unfachmännische Installation, falsches Anschließen oder unsachgemäßes Verpacken,
 - b. bei Schäden, die auf einen nicht in der Bedienungsanleitung genannten Einsatzzweck, auf Fahrlässigkeit, Modifikationen oder die Verwendung von Teilen zurückzuführen sind, die nicht von B&W hergestellt bzw. zugelassen wurden,
 - c. bei Schäden durch defekte oder ungeeignete Zusatzgeräte,
 - d. bei Schäden durch Unfälle, Blitzschlag, Wasser, Feuer, Hitze, Krieg, öffentliche Unruhen oder sonstige Ereignisse, die nicht der Kontrolle von B&W und seinen Vertriebsgesellschaften unterliegen,
 - e. für Produkte, deren Seriennummern geändert, gelöscht, entfernt oder unleserlich gemacht wurden,
 - f. wenn Reparaturen oder Modifikationen von einem Nichtfachmann durchgeführt wurden.
4. Diese Garantie ergänzt die nationalen/regionalen gesetzlichen Verpflichtungen der Händler bzw. der nationalen Vertriebsgesellschaften und schränkt in keiner Weise die gesetzlichen Rechte, die Sie als Kunde haben, ein.

Inanspruchnahme von Garantieleistungen

Sollten Sie unseren Service in Anspruch nehmen müssen, gehen Sie bitte folgendermaßen vor:

1. Befindet sich das Gerät in dem Land, in dem Sie es gekauft haben, setzen Sie sich mit Ihrem autorisierten B&W-Fachhändler in Verbindung.
2. Befindet sich das Gerät außerhalb des Landes, in dem Sie es gekauft haben, wenden Sie sich bitte an die nationale B&W-Vertriebsgesellschaft des Landes, in dem Sie leben. Diese wird Ihnen Auskunft darüber geben, wo Sie das Gerät reparieren lassen können. Die Adresse der für das jeweilige Land zuständigen Vertriebsgesellschaft erhalten Sie bei B&W in Großbritannien oder über unsere Website.

Garantieleistungen werden nur nach Vorlage dieses Garantie-Booklets (vollständig ausgefüllt und mit dem Händlerstempel und dem Kaufdatum versehen) erbracht. Alternativ können Sie die Originalrechnung oder einen anderen, mit Kaufdatum versehenen Beleg einreichen, der Sie als Eigentümer des Gerätes ausweist.

Bedienungsanleitung

Einleitung

Vielen Dank für den Kauf der CWM LCR8-Lautsprecher von Bowers und Wilkins.

Seit der Gründung 1966 war B&W oberstes Anliegen die perfekte Klangwiedergabe. Inspiriert durch den Firmengründer John Bowers wird diesem Streben nicht nur durch hohe Investitionen in die Audio-Technologie und stetige Investitionen Rechnung getragen, sondern auch durch die Liebe zur Musik und zu Filmen, um sicherzustellen, dass die Technologie optimal eingesetzt wird.

Der CWM LCR8 ist ein audiophiler Einbaulautsprecher, der vertikal und horizontal eingebaut werden kann. Für Centerkanal-Anwendungen ist die horizontale Ausrichtung zu bevorzugen.

Unabhängig davon, wie gut die Lautsprecher selbst auch klingen – sie können ihr gesamtes Potenzial nur entfalten, wenn sie auch ordnungsgemäß eingebaut sind. Lesen Sie sich diese Bedienungsanleitung bitte vollständig durch. Sie wird Ihnen dabei helfen, die Systemleistung zu optimieren.

B&W liefert weltweit in über 60 Länder und verfügt über erfahrene Distributoren, die Ihnen zusammen mit dem autorisierten Fachhändler jederzeit weiterhelfen, um Ihnen den Musikgenuss zu Hause zu ermöglichen.

Prüfen des Inhalts

Der Karton enthält:

In Pack 1:

Wandrahmen
Lautsprecherabdeckung mit Stoffbesatz
Montage-Schablone
Lackiermaske

In Pack 2:

Schallwand mit Lautsprechersystemen und Frequenzweiche
Befestigungsschrauben

Auswahl der Position

Prüfen Sie bei einer bestehenden Wandkonstruktion aus Trockenbauplatten genau, ob und wo sich Balken, Leitungen und Rohre in der Wand befinden. Stellen Sie sicher, dass hinter der Gipsbauplatte genügend Abstand für das vollständige Ausfahren der Schnellbefestigungen ist. Vermeiden Sie es, die Lautsprecher in dieselbe Wandöffnung wie dünne Rohrleitungen einzubauen, da diese mitschwingen können. Die Lautsprecher sind in Öffnungen unterschiedlicher Größe einsetzbar. Ideal ist eine Einbaubauöffnung von mehr als 20 Litern Volumen. Stellen Sie daher sicher, dass das Volumen nicht zu stark durch Querbalken eingeschränkt wird. Dies ist besonders wichtig, wenn der Lautsprecher für Centerkanal-Anwendungen horizontal eingebaut wird. Bei horizontaler Ausrichtung des Lautsprechers müssen Sie einen Teil eines senkrechten Balkens entfernen. Um die Stabilität und Belastbarkeit der Wand aufrechtzuerhalten, sind zwei Querbalken einzusetzen.

Bei einer festen Wandkonstruktion benötigen Sie eine Öffnung in der Wand, die über die Grenzen des Lautsprecherrahmens hinausgeht. Ansonsten wird die Tieftonleistung beeinträchtigt. Die Lautsprecher werden bündig (z.B. in eine Decke) eingesetzt. Eine Platzierung in der Nähe des Wand-/Deckenübergangs oder in einer Ecke ist zu vermeiden, da dies zu einer Verstärkung des Basses und zu einem Dröhnen führt. Installieren Sie die Lautsprecher möglichst in einem Abstand von mehr als 0,5 m zu den Wand-/Deckenkanten. Den folgenden Abschnitten können Sie Hinweise zur optimalen Positionierung entnehmen. Die Rahmenbedingungen können jedoch, je nach den Wohnbedingungen, variieren.

WARNUNG: Die Lautsprecher erzeugen ein statisches Magnetfeld, das sich über die Gehäusengrenzen hinaus aufbaut. Daher muss zwischen Lautsprecher und Geräten, die durch dieses Feld beeinflusst werden können (z.B. Bildröhren in Fernsehgeräten, Computermonitore usw.), ein Mindestabstand von 0,5 m bestehen.

Einsatz als Frontlautsprecher für Audio oder HiFi-Cinema

Bei Stereo-Anwendungen wird das beste Klangbild erzielt, wenn die Lautsprecher vertikal mit dem Hochtöner in Ohrhöhe in der Wand montiert werden. Die Lautsprecher bilden einen Winkel zwischen 40° und 60° zum Zentrum der Hörposition (Figure (Abb.) 1).

Bei Mehrkanal-HiFi-Cinema-Anwendungen sollte der Abstand von linkem und rechtem Lautsprecher zu den Kanten des Fernsehers ca. 0,5 m betragen. Die Front- und der Centerlautsprecher sind so zu positionieren, dass sie sich möglichst nahe am Bildschirmmittelpunkt befinden. Aus optischen Gründen wird für einen Centerlautsprecher normalerweise die horizontale Ausrichtung bevorzugt. Der Lautsprecher kann oberhalb oder unterhalb des Bildschirms montiert werden, je nachdem, in welcher Position er der Ohrhöhe am nächsten kommt (Figure (Abb.) 2).

Surroundlautsprecher

Die Lautsprecher sind mit den Hochtönern mindestens 60 cm über Kopfhöhe zu positionieren.

5.1-Kanal

Der horizontale Winkel zum Zentrum der Hörposition sollte ca. 120° zum Bildschirmmittelpunkt liegen (Figure (Abb.) 3).

6.1-Kanal

Positionieren Sie zwei Lautsprecher an den Seiten in einer Linie mit dem Zentrum des Hörbereichs und einen mittig hinter den Zuhörern (Figure (Abb.) 4).

7.1-Kanal

Positionieren Sie zwei Lautsprecher an den Seiten in einer Linie mit dem Zentrum des Hörbereichs und zwei hinter den Zuhörern, die gegenüberliegend einen Winkel von ca. 40° bilden (Figure (Abb.) 5).

VORBEREITUNGEN FÜR DEN EINBAU

Kabelauswahl

Durch einen sehr hohen Widerstand des Lautsprecherkabels wird Energie verschwendet und der Frequenzgang verändert. Halten Sie den Widerstand stets möglichst gering. Der Schleifenwiderstand sollte in unkritischen Anwendungen möglichst unter 0,5 Ohm liegen und unter 0,2 Ohm, wenn Sie beste Ergebnisse erzielen möchten. Nutzen Sie die Tabelle in Figure (Abb.) 11, um den erforderlichen Mindestquerschnitt für das Kabel zu bestimmen.

Bestehende Wandkonstruktion aus Trockenbauplatten

Positionieren Sie die Schablone an der Stelle, an der der Lautsprecher eingebaut werden soll. Die Schablone verfügt über vertikale und horizontale Metalllinien, um die Ausrichtung zu erleichtern.

Zeichnen Sie eine Linie entlang der äußeren Kante der Schablone und bleiben Sie beim Ausschneiden genau auf der Linie.

Um die mechanische Festigkeit der Wand zu verbessern und die Wahrscheinlichkeit des Mitschwingens zu reduzieren, empfehlen wir, entlang der Verbindungen zwischen der Hinterseite der Gipsbauplatte und den Balken in der Nähe des Lautsprechers Holzleim oder Mastix aufzutragen.

Zeihen Sie das Kabel durch die Öffnung. Geben Sie ausreichend Kabel, um den Lautsprecher problemlos anschließen zu

können, aber nicht zu viel, da überschüssiges Kabel gegen die Konstruktion schwingen kann.

Neue Wandkonstruktion aus Trockenbauplatten

Ist die Wand fertiggestellt, so erfolgt der Einbau auf dieselbe Art und Weise wie bei einer bestehenden Wandkonstruktion. Die Positionierung und das Ausschneiden der Öffnung sind jedoch einfacher, wenn der optionale Vormontage-Rahmen (PMK) vor dem Anbringen der Gipsbauplatte eingesetzt wird. Klammern oder nageln Sie das PMK an die Balken, wie es in der dem Kit beiliegenden Anleitung beschrieben wird. Führen Sie das Kabel zum Befestigungspunkt am PMK und sichern Sie es dort. Geben Sie ausreichend Kabel, um den Lautsprecher problemlos anschließen zu können, aber nicht zu viel, da überschüssiges Kabel gegen die Konstruktion schwingen kann. Die Ergebnisse werden davon beeinflusst, wie gut die Gipsbauplatte an den Balken befestigt ist. Sie können die Platten sowohl an die Balken in der Nähe des Lautsprechers kleben als auch schrauben oder an den Balken festnageln. Ist die Platte angebracht, dient der Innenrand des PMKs als Orientierung beim Ausschneiden mit einer Säge. Ist eine zusätzliche akustische Isolierung zu angrenzenden Räumen oder eine Schutzmaßnahme gegen die Ausbreitung von Feuer erforderlich, verwenden Sie anstelle des PMKs die optionale Einbaubox. Der Einbaubox liegen Hinweise zur Montage und zum Kabelverlauf bei. Verwenden Sie beim Anbringen der Gipsbauplatten Mastix zwischen den Platten und der Einbaubox, um ein Mitschwingen zu vermeiden. Sägen Sie die Lautsprecheröffnung aus und orientieren Sie sich dabei am Rand der Einbaubox. Abhängig vom Schneidwerkzeug kann es erforderlich sein, die Ecken mit einer Säge rechtwinklig zu machen.

Feste Wandkonstruktion

Um in puncto Tieftonleistung keinerlei Kompromisse einzugehen, benötigt der Lautsprecher eine Öffnung mit einem Volumen von mindestens 20 Litern. Dies bedeutet, dass die Öffnung bei einer 10 cm dicken Standardwand über die Grenze des Lautsprecherrahmens hinaus geht. Diese Öffnung kann einfach durch Nutzung eines Türsturzes zur Verfügung gestellt werden, wobei das Loch mit einer Gipsbauplatte abgedeckt und der Lautsprecher, wie unter „Bestehende Wandkonstruktion aus Trockenbauplatten“ beschrieben, eingebaut werden (Figure (Abb.) 6). Die Einbaubox ist hilfreich, um das erforderliche Mindestvolumen zu definieren.

Der Einbaubox liegen Hinweise zur Montage und zum Kabelverlauf bei. Wenn Sie verputzen, streichen Sie zuvor eine Schicht PVA-Klebstoff auf die Einbaubox, um Geräuschen vorzubeugen, die entstehen können, wenn sich der Putz beim Trocknen von der Einbaubox löst.

Verwenden Sie Gipsbauplatten, so kleben Sie die Platten mit flexiblem Mastix auf die Oberflächen der Einbaubox. Schneiden Sie die Öffnung aus und nutzen Sie dabei den

Rand zur Orientierung. Abhängig vom Schneidwerkzeug kann es erforderlich sein, die Ecken mit einer Säge rechtwinklig zu machen.

In allen Fällen empfehlen wir, keinen Zement oder Mörtel zu verwenden, um die Einbaubox an den Steinen zu befestigen. Geräusentwicklung wird am besten durch die Verwendung von flexiblem Mastix vorgebeugt (Figure (Abb.) 7).

Dämmen der Wandöffnung

Füllen Sie die Wandöffnung oder die Einbaubox (aber nicht den Bereich direkt hinter dem Lautsprecher) mit Matten aus Glasfaser oder Mineralwolle. Die Packungsdichte sollte so sein, dass das Material mit der Zeit nicht absackt. In einer offenen Wand füllen Sie einen Bereich von mindestens 30 cm über und unter dem Lautsprecher (Figure (Abb.) 8).

WICHTIG: Stellen Sie sicher, dass die von Ihnen eingesetzten Werkstoffe den örtlichen Gebäude- und Brandschutzverordnungen entsprechen.

Anbringen der Lautsprecher

Vergewissern Sie sich, dass alle Geräte vor dem Anschließen abgeschaltet sind.

Positionieren Sie den Wandrahmen ohne Abdeckung und Schallwand in der Öffnung und schrauben Sie die 10 von der Front aus sichtbaren Schrauben ein (Figure (Abb.) 9). Durch Anziehen dieser Schrauben werden automatisch Schnellbefestigungen hinter die Montagefläche geschoben. Stellen Sie sicher, dass die Schnellbefestigungen exakt ausgerichtet sind, bevor Sie die Schrauben festziehen. Ein gewisses Maß an Biegung des Rahmens ist erlaubt, um Unebenheiten an der Montagefläche auszugleichen. Überdrehen Sie die Schrauben jedoch nicht, da sich der Lautsprecherrahmen dadurch stark verziehen kann und die Abdeckung anschließend schwer zu befestigen ist.

Schließen Sie das Kabel an. Achten Sie dabei auf die korrekte Polarität.

Sitzt der Wandrahmen ordnungsgemäß, schrauben Sie die Schallwand mit den Lautsprechersystemen und der Frequenzweiche mit den 8 beiliegenden Schrauben ein (Figure (Abb.) 10). Prüfen Sie, ob die Abdeckung sich leicht positionieren lässt, ohne sie jedoch vollständig anzubringen. Sitzt sie zu fest, entfernen Sie die Schallwand und prüfen, ob die Schnellbefestigungen zu stark angezogen sind und der Wandrahmen dadurch verzogen ist.

Farbliche Abstimmung

Der Wandrahmen besitzt eine weiße Oberfläche (halbmatt). Er ist lackierfähig und kann farblich an die Umgebung angepasst werden. Entfernen Sie die Abdeckung und bringen Sie die Lackiermaske an, bevor Sie mit dem Lackiervorgang beginnen. Lackieren Sie weder die Lautsprechereinheiten noch den Schallwandbereich hinter der Abdeckung. Vermeiden Sie es, die Lautsprechersysteme zu berühren, da dies zu Beschädigungen führen kann.

Auch die Abdeckung kann lackiert werden. Zuvor muss jedoch der Stoff von der Abdeckung entfernt werden, da sich ansonsten das Gewebe zusetzt, was zu einer Beeinträchtigung der Klangqualität führt. Lässt sich der Stoff nicht ohne weiteres wieder befestigen, entfernen Sie ihn noch einmal und besprühen die Rückseite der Metallabdeckung (NICHT den Stoff) mit einer dünnen Schicht 3M-Sprünkleber oder Ähnlichem.

Garantía limitada

Estimado cliente:

Bienvenido a B&W.

Este producto ha sido diseñado y fabricado de acuerdo con las más altas normas de calidad. No obstante, si hallara algún defecto B&W Loudspeakers y sus distribuidores nacionales garantizan, sin coste alguno para usted, la mano de obra (es posible que haya excepciones) y la reposición de piezas en cualquier país donde se cuente con un distribuidor autorizado de B&W.

Esta garantía limitada es válida por un periodo de cinco años desde la fecha de compra y de dos años para las partes electrónicas, incluyendo sistemas de altavoces amplificados.

Términos y condiciones

- 1 Esta garantía está limitada a la reparación del equipo. La garantía no cubre ni el transporte, ni otros costes, ni ningún riesgo por traslado, transporte e instalación de los productos.
- 2 La garantía será aplicable exclusivamente para el propietario original. No es transferible.
- 3 Esta garantía tendrá validez solamente si se trata de materiales defectuosos y/o de fabricación existentes en el momento de la compra, y no será válida en los siguientes casos:
 - a. daños causados por instalación, conexión o embalaje inapropiados,
 - b. daños causados por uso inapropiado que no se corresponda con el uso correcto tal como se describe en el manual del usuario, negligencia, modificaciones o la utilización de piezas no originales de fábrica o no autorizadas por B&W,
 - c. daños causados por equipos auxiliares defectuosos o inapropiados,
 - d. daños causados por accidentes, relámpagos, agua, incendios, calor, guerra, disturbios sociales u otra causa ajena al control razonable de B&W y de sus distribuidores autorizados,
 - e. productos cuyo número de serie haya sido modificado, borrado, retirado o convertido en ilegible,
 - f. si una persona no autorizada ha efectuado alguna reparación o modificación en el producto.
- 4 Esta garantía complementa cualquier obligación legal a nivel nacional/regional de concesionarios o distribuidores nacionales y, como cliente, no afecta a sus derechos estatutarios.

Cómo solicitar reparaciones bajo garantía

En caso de ser necesaria alguna revisión, siga el siguiente procedimiento:

- 1 Si está usando el equipo en el país en que fue adquirido, debería contactar con el concesionario autorizado de B&W en donde lo adquirió.
- 2 Si el equipo está siendo utilizado fuera del país en que fue adquirido, debería contactar con el distribuidor nacional de B&W correspondiente al país donde reside, que le asesorará sobre el lugar al que enviarlo para que pueda ser revisado. Para obtener información sobre cómo contactar con su distribuidor local, puede llamar a B&W en el Reino Unido o visitar nuestro sitio web.

Para validar su garantía, debe mostrar este folleto de garantía debidamente rellenado y con la fecha de compra estampada por su concesionario. De lo contrario, tendrá que mostrar la factura de venta original u otro comprobante que demuestre su propiedad y la autenticidad de su fecha de compra.

Manual de instrucciones

Introducción

Gracias por adquirir las cajas acústicas CWM LCR8 de Bowers and Wilkins.

Desde su creación en 1966, la filosofía de B&W no ha sido sino la búsqueda continua de la perfecta reproducción sonora. Inspirada por el fundador de la compañía, el ya desaparecido John Bowers, esta búsqueda ha supuesto no sólo una elevada inversión en tecnología e innovación aplicadas al mundo del audio sino también una permanente apreciación de todo tipo de grabaciones musicales y audiovisuales con el fin de garantizar que los recursos utilizados se exploten al máximo.

La CWM LCR8 es una caja acústica empotrable de calidad audiófila que puede utilizarse tanto en posición vertical como horizontal, siendo esta última más adecuada desde el punto de vista estético para la restitución del canal central de los modernos sistemas de Cine en Casa.

Sin embargo, las CWM LCR8 no rendirán –independientemente de su calidad intrínseca– al cien por cien de sus posibilidades a menos que sean instaladas adecuadamente. En consecuencia, le rogamos que lea atentamente la totalidad del presente manual ya que ello le ayudará a optimizar las prestaciones del sistema.

B&W distribuye sus productos en más de 60 países repartidos en todo el mundo y mantiene una red de importadores altamente motivados que podrán ayudarle en el caso de que se produzca algún problema que no pueda resoluto por su distribuidor especializado.

Verifique el contenido

La caja externa debería contener lo siguiente:

Paquete 1:

Marco de montaje en pared
Rejilla protectora de tela
Plantilla de montaje
Máscara para pintura

Paquete 2:

Baffle (panel frontal) con los altavoces y el filtro divisor de frecuencias
Tornillos de fijación

Elección de la posición

Compruebe que no se produzcan conflictos con otras instalaciones (regatas, conductos del aire acondicionado, cables de alimentación). En construcciones de pladur ya existentes, utilice un buscador de tacos para confeccionar un mapa preciso de las mismas y un detector de tubos para explorar la posición de instalación propuesta.

Consulte la sección en la que figura el dibujo de la caja acústica y asegúrese de que haya el suficiente espacio libre detrás de la placa de yeso para que los dispositivos de fijación puedan colocarse sin restricciones.

Evite instalar las cajas acústicas en cavidades que alberguen conductos endebles susceptibles de vibrar a niveles de presión sonora elevados.

Las cajas acústicas han sido diseñadas para funcionar satisfactoriamente en cavidades de volúmenes muy variados aunque idealmente superiores a 20 litros, por lo que debería asegurarse de que el volumen disponible no esté excesivamente limitado por la presencia de tacos y refuerzos cruzados. Esto es particularmente importante cuando la caja acústica es instalada en posición horizontal para reproducir el canal central en sistemas de Cine en Casa. Es posible que para colocar la caja horizontalmente sea necesario cortar una parte de un taco de refuerzo vertical, lo que a su vez requerirá utilizar otros dos refuerzos entrecruzados con el fin de preservar la robustez y la integridad de la pared.

En el caso de que el montaje se vaya a efectuar en una pared de albañilería, deberá estar preparado para construir en la misma una cavidad que se extienda más allá de los límites de la carcasa de la caja acústica ya que en caso contrario la respuesta en graves quedará seriamente comprometida.

Las cajas acústicas han sido equilibradas para ser montadas en el centro de una pared o techo. La colocación cerca de una intersección pared/techo o en una esquina puede provocar un aumento excesivo del nivel de graves y el correspondiente emborronamiento del sonido. Por este motivo, le recomendamos que intente mantener las cajas acústicas a una distancia mínima de 0'5 metros con respecto a los límites de cualquier pared o techo.

Las secciones que siguen pretenden servirle de guía para colocar de manera óptima sus cajas acústicas, aunque es posible que las orientaciones que allí se dan tengan que ser modificadas para satisfacer determinados imperativos domésticos.

ADVERTENCIA: Las cajas acústicas generan un campo magnético estático. En consecuencia, no deberían colocarse a menos de 0'5 metros de componentes susceptibles de ser afectados por campos de este tipo (por ejemplo los televisores y monitores de ordenador equipados con tubos de rayos catódicos).

Cajas acústicas frontales en aplicaciones de audio estéreo o Cine en Casa

En las configuraciones de 2 canales, la mejor imagen sonora se obtiene cuando las cajas acústicas son montadas en la pared en orientación vertical, con los altavoces de agudos situados aproximadamente a la altura del oído y formando un ángulo de valor comprendido entre 40° y 60° en el centro de la posición de escucha. (figura 1)

Para aplicaciones de audio multicanal y Cine en Casa, las cajas acústicas izquierda y derecha deberían estar aproximadamente a 0'5 metros de los lados de la pantalla de visualización y tanto dichas cajas como la encargada de restituir el central deberían estar alineadas lo máximo posible con el centro de aquélla. Para el funcionamiento como caja acústica central suele recomendarse la posición horizontal por razones estéticas, por lo que usted debería elegir entre las partes inferior y superior de la pantalla de visualización dependiendo de la que se acerque más a la altura de sus oídos. (figura 2)

Cajas acústicas de efectos

Las cajas acústicas deberían colocarse con los altavoces de agudos situados a un mínimo de 60 centímetros por encima de la altura de la cabeza del oyente.

5.1 canales

En este caso, el ángulo horizontal con respecto al centro de la posición de escucha debería ser de unos 120° desde el centro de la pantalla de visualización. (figura 3)

6.1 canales

Coloque las dos cajas acústicas de efectos estándar en las paredes laterales de la sala alineadas con el centro del área de escucha y la caja de efectos posteriores (es decir el canal "6") en el centro de la zona situada justo detrás de los oyentes. (figura 4)

7.1 canales

Coloque las dos cajas acústicas de efectos estándar en las paredes laterales de la sala alineadas con el centro del área de escucha y las dos cajas de efectos posteriores (es decir los canales "6" y "7") detrás de los oyentes formando un ángulo de aproximadamente 40° con respecto a los mismos. (figura 5)

PREPARANDO LA COLOCACIÓN

Elección del cable

El exceso de resistencia en el cable de conexión hace que se desperdicie energía y se altere la curva de respuesta en frecuencia de las cajas acústicas. Intente siempre que la citada resistencia sea lo más baja posible, con un valor en bucle cerrado preferiblemente inferior a 0'5 ohmios en aplicaciones poco exigentes y por debajo de 0'2 ohmios para conseguir unos resultados óptimos. Utilice la tabla de la figura 11 para calcular el grosor mínimo del cable requerido para cada aplicación.

Construcción de pladur ya existente

Coloque la plantilla en la posición en la que desee ubicar la caja acústica. La plantilla tiene marcadas líneas centrales verticales y horizontales para facilitar el proceso de alineación.

Siga el contorno exterior de la plantilla y corte limpiamente el interior de la línea trazada.

Con el fin de mejorar la integridad mecánica de la pared y reducir la posibilidad de que se produzcan vibraciones molestas, le recomendamos que aplique un poco de masilla o una pequeña capa de adhesivo para madera a lo largo de las juntas entre la parte posterior de la placa de pladur y los tacos de fijación situados cerca de la caja acústica.

Coloque el cable hasta la apertura disponiendo la longitud suficiente –aunque no excesiva, ya que en ese caso el cable podría vibrar y golpear la estructura– para conectar confortablemente la caja acústica.

Construcción de pladur nueva

Una vez que la construcción de la pared ha sido completada, la caja acústica puede instalarse directamente en la zona posterior de la misma, aunque si se va a utilizar el kit opcional de pre-montaje es más fácil colocarla sobre dicha pared y cortar la pertinente apertura antes de aplicar la capa de yeso.

Grape o clave el PMK a los tacos de fijación tal y como se describe en las instrucciones que lo acompañan. Coloque el cable y asegúrelo al punto de fijación del PMK. Disponga la longitud suficiente –aunque no excesiva, ya que en ese caso el cable podría vibrar y golpear la estructura– para conectar confortablemente la caja acústica.

Los resultados finales dependerán de la calidad de la unión entre la placa de pladur y los tacos de fijación, por lo que le recomendamos que coloque una capa de adhesivo y a la vez tornillos o clavos para sujetar paneles a los tacos de fijación en las cercanías de la caja acústica.

Una vez colocada la placa de pladur, la pestaña interna del PMK le servirá de guía para la sierra o la herramienta que utilice para efectuar el orificio de instalación.

En el caso de que se precise aislamiento acústico extra para las habitaciones

contiguas, así como protección frente a la propagación del fuego, utilice la caja posterior opcional en lugar del PMK. Para la colocación e instalación del cable, siga las instrucciones que acompañan a la caja posterior.

Cuando coloque la placa de pladur, ponga masilla entre las láminas de la misma y la caja posterior para evitar posibles vibraciones. Taladre o sierre la apertura de montaje de la caja acústica utilizando como guía el reborde de la caja posterior. En función del diámetro del taladro, es posible que tenga que cortar las esquinas en ángulo recto con una sierra.

Construcción en pared sólida (albañilería)

Para no comprometer la respuesta en graves, la caja acústica necesita disponer de una cavidad cuyo volumen no sea inferior a 20 litros. Esto significa que si se utiliza una pared de grosor estándar (10 centímetros) dicha cavidad se extenderá más allá de los límites de la carcasa de la caja acústica. Para disponer de esta cavidad bastará con utilizar un dintel, cubrir el orificio con yeso y colocar la caja acústica tal y como se describe en la figura 6. No obstante, la caja posterior proporciona una manera útil para definir el volumen mínimo requerido.

Para la colocación e instalación del cable, siga las instrucciones que acompañan a la caja posterior. En caso de que para el acabado utilice yeso mojado, pinte en primer lugar una capa de adhesivo PVA en la caja posterior antes de enyesar con el fin de evitar que se produzcan vibraciones como consecuencia de la contracción del yeso a medida que se vaya secando. En caso de que utilice yeso, pegue las láminas a las superficies de la caja posterior con masilla flexible. Siga la apertura utilizando el reborde como guía. En función del diámetro del taladro, es posible que tenga que cortar las esquinas en ángulo recto con una sierra. En todos los casos, le recomendamos que no utilice cemento ni mortero para fijar la caja posterior al ladrillo o pared. La mejor manera de evitar que se produzcan vibraciones es empleando masilla flexible y cuñas de fijación. (figura 7)

Amortiguamiento (acondicionamiento acústico) de la cavidad

Rellene la cavidad del muro o la caja posterior –aunque no el espacio situado inmediatamente detrás de la caja acústica– con bloques de fibra de vidrio o lana de roca. La densidad del relleno utilizado debería ser suficiente para prevenir confortablemente que se caiga o ceda con el paso del tiempo. En una cavidad abierta, rellene hasta una distancia de por lo menos 30 centímetros por encima y por debajo de la caja acústica. (figura 8)

IMPORTANTE: Asegúrese de que los materiales que utilice satisfagan las normas locales en materia de seguridad y protección contra incendios.

Colocación de la caja acústica

Todas las conexiones deberían realizarse con el equipo desconectado.

Con la rejilla protectora y el panel frontal de la caja acústica fuera, coloque la carcasa de esta última en la apertura y fije los 10 tornillos que se ven en su parte frontal. (figura 9) Estos tornillos giran automáticamente unas pinzas de sujeción situadas detrás de la superficie de montaje. Asegúrese de que dichas pinzas estén adecuadamente posicionadas antes de fijar definitivamente los tornillos. La carcasa admite un cierto flexado con el fin de compensar posibles desviaciones de la superficie de montaje aunque le recomendamos que no fuerce en exceso los tornillos de fijación ya que se podría producir una deformación excesiva de la carcasa de la caja acústica susceptible de dificultar la colocación de la rejilla protectora.

Conecte el cable observando siempre que se respete la polaridad correcta.

Una vez asegurada la carcasa de montaje en pared, monte el panel frontal de la caja acústica con los altavoces y el filtro divisor de frecuencias utilizando los 8 tornillos suministrados para ello. (figura 10) Compruebe que la rejilla protectora se pueda colocar cómodamente en su lugar sin necesidad de que encaje por completo. Si la estructura está muy tensa, quite el panel frontal y verifique los dispositivos de sujeción de la carcasa de montaje en pared para ver si se ha efectuado una fijación excesiva con la pertinente deformación de la citada carcasa.

Personalización

La carcasa de montaje está terminada en un color blanco semi-mate que, en caso de que así se desee, puede ser pintado a voluntad para que haga juego con cualquier decoración. Antes de volver a completar el conjunto, retire la rejilla protectora y pinte de nuevo la citada carcasa. No pinte de nuevo ni los altavoces ni el área del panel frontal situada detrás de la rejilla protectora. Evite tocar los altavoces ya que podrían producirse daños en los mismos.

Antes de pintar la rejilla protectora, quite la tela de su parte posterior ya que en caso contrario podrían obstruirse los poros de la misma y perjudicar el sonido. Si la tela no se mantiene adecuadamente en su lugar cuando se vuelve a colocar, rocíe la parte posterior de la malla (NO la tela) con una fina capa de pegamento SprayMount de 3M o similar.

Português

Garantia limitada

Estimado Cliente,

Bem-vindo à B&W.

Este produto foi concebido e fabricado de acordo com os mais elevados padrões de qualidade. No entanto, se houver qualquer problema com o mesmo, a B&W e os seus distribuidores internacionais garantem o serviço de mão-de-obra (podendo-se aplicar exclusões) e de substituição de peças gratuitos em qualquer país servido por um distribuidor oficial de B&W.

Esta garantia limitada é válida por um período de cinco anos a partir da data de compra ou dois anos pela parte eletrónica incluindo altifalantes amplificados.

Termos e condições

- 1 Esta garantia limita-se à reparação do equipamento. Nem transporte, nem quaisquer outros custos, nem qualquer risco de remoção, transporte e instalação de produtos estão cobertos por esta garantia.
- 2 A garantia só é válida para o proprietário original. Não é transferível.
- 3 Esta garantia não será aplicável nos casos em que os defeitos não sejam atribuíveis a materiais e/ou mão-de-obra na altura da compra e não será aplicável a:
 - a. danos causados pela instalação, ligação ou embalamento incorrectos,
 - b. danos causados por qualquer utilização que não seja a correcta conforme descrita no manual do utilizador, negligência, modificações ou utilização de peças que não sejam fabricadas ou autorizadas pela B&W,
 - c. danos causados por equipamento auxiliar inadequado ou defeituoso,
 - d. danos causados por acidentes, relâmpagos, água, incêndio, calor, guerra, distúrbios públicos ou qualquer outra causa para além do controlo razoável da B&W e dos seus distribuidores nomeados,
 - e. produtos cujo número de série tenha sido alterado, apagado, removido ou que tenha sido tornado ilegível,
 - f. reparações ou modificações que tenham sido efectuadas por pessoa não autorizada.
- 4 Esta garantia complementa quaisquer obrigações legais nacionais e regionais de revendedores ou distribuidores nacionais e não afecta os seus direitos estatutários como cliente.

Como reivindicar reparações sob garantia

Caso seja necessário assistência técnica, queira seguir o procedimento seguinte:

- 1 Se o equipamento está a ser utilizado no país de compra, deverá contactar o distribuidor autorizado da B&W de onde o equipamento foi comprado.

- 2 Se o equipamento está a ser utilizado fora do país de compra, deverá contactar o distribuidor nacional da B&W do país de residência que o aconselhará onde o equipamento pode ser reparado. Pode telefonar para a B&W no Reino Unido ou visitar a nossa página na internet para obter os pormenores de contacto do seu distribuidor local.

Para validar a sua garantia, precisará de preencher a mesma devendo esta ser carimbada pelo seu distribuidor na data da compra. Em alternativa, precisará da factura original de venda ou outra prova de propriedade e data de compra.

Manual do utilizador

Introdução

Obrigado por ter adquirido as colunas Bowers & Wilkins CWM LCR8.

Desde a sua fundação em 1966, que a filosofia da B&W tem sido a continua busca pela perfeita reprodução sonora. Inspirada pelo fundador da companhia, o já falecido John Bowers, esta tarefa tem acarretado não apenas um forte investimento em tecnologia audio e inovação mas igualmente numa permanente apreciação de música e filmes de molde a garantir que essa mesma tecnologia é aplicada com o máximo de eficiência.

Assim sendo a CWM LCR8 é uma coluna de embutir de qualidade audíofila que poderá ser utilizada tanto vertical como horizontalmente, sendo esta última forma a mais indicada esteticamente para aplicações como canal central.

No entanto, independentemente do valor individual das colunas, estas não libertarão todo o seu potencial a não ser que sejam correctamente instaladas. Por favor leia este manual atentamente. Pois será uma preciosa ajuda para otimizar a performance do seu sistema.

A B&W é distribuída em mais de 60 países no mundo inteiro e mantém uma rede de distribuidores dedicados que serão capazes de o ajudar no caso de surgirem problemas que o lojista não consiga resolver.

Verificação de conteúdo

A caixa exterior deverá conter:

Na caixa 1:

Moldura de parede
Grelha com película traseira
Régua de alinhamento
Mascara de pintura

Na caixa 2:

Frontal com unidades e crossover
Parafusos de fixação

Escolhendo a posição

Verifique que não existe conflito com outras instalações embutidas (canos, ar condicionado, cabos de corrente eléctrica etc.) Em construções de paredes falsas ou

de pladur, use uma ferramenta de detecção de prumos para efectuar um mapa da construção com precisão e um detector de tubos para efectuar o varrimento da zona da instalação. Consulte a secção de desenho da coluna de molde a assegurar que existe espaço suficiente por detrás da placa de estuque para que os grampos rotem totalmente para fora. Evite a instalação das colunas na mesma cavidade de tubos com pouca consistência porque podem ser induzidos a vibrar. As colunas foram desenhadas para operar satisfatoriamente numa gama alargada de volumes de cavidade, idealmente acima de 20 litros (0.7 cu ft), consequentemente certifique-se que a cavidade não está excessivamente restringida por pilares de travamento. Isto é particularmente importante quando a coluna é instalada horizontalmente, pois parte do travamento vertical terá de ser retirado o que torna necessário a utilização de dois travamentos cruzados de molde a manter a força e integridade da parede.

Na construção de paredes sólidas, esteja preparado para providenciar uma cavidade na parede que estenda bem para fora da área da moldura das colunas, de outra forma a performance de graves ficará comprometida. As colunas estão equilibradas para uma montagem a meio da parede. A sua colocação perto da junção tecto/parede ou num canto pode dar origem a um excesso de graves e uma qualidade ribombante ao som. Tente manter as colunas a pelo menos a 0.5m (20in) dos cantos entre parede e tecto. As secções seguintes servem de guia para um optimo posicionamento, mas este poderá ser alterado em função dos constrangimentos domésticos.

ATENÇÃO: As colunas produzem campos electromagnéticos. Como tal não deverão ser colocadas a menos de 0.5m (20in) de equipamento que seja afectado por este tipo de campo (ex: Televisores convencionais e Computadores Pessoais).

Colunas frontais para audio ou cinema em casa

A melhor imagem para audio de dois canais é obtida quando as colunas são montadas na parede com uma orientação vertical, com os tweeters aproximadamente à altura dos ouvidos e fazendo um ângulo entre 40° e 60° na posição central de audição. (figura 1)

Para aplicações de cinema em casa multi canal as colunas esquerda e direita devem estar aproximadamente a 0.5m (20 in) dos bordos laterais do ecrã e estas e a coluna central deverão estar tão perto quanto possível do centro da altura do ecrã. Para uma coluna central, a orientação horizontal é normalmente preferida por razões estéticas e deverá escolher entre uma montagem por cima ou por baixo do ecrã dependendo de qual a mais próxima da altura dos ouvidos. (figura 2)

Colunas de surround

As colunas devem ser colocadas com os tweeters 60cm (2 ft) ou mais acima da altura da cabeça.

Sistema 5.1

O ângulo horizontal ao centro da posição de audição deverá ser aproximadamente de 120° em redor e a partir do centro do ecrã. (figura 3)

Sistema 6.1

Coloque duas colunas lateralmente em linha com o centro da área de audição e uma centralmente por detrás dos ouvintes. (figura 4)

Sistema 7.1

Coloque duas colunas lateralmente em linha com o centro da área de audição e duas por detrás dos ouvintes, num ângulo entre estas e o eixo de audição de cerca de 40°. (figura 5)

PREPARANDO A LOCALIZAÇÃO

Escolhendo o cabo

Excessiva resistência no cabo de colunas desperdiça potência e altera a resposta de frequência da coluna. Tente pois manter a resistência tão baixa quanto possível preferencialmente em valores inferiores a 0.5 ohms numa aplicação não crítica e abaixo dos 0.2 ohms para obtenção dos melhores resultados. Use a tabela da figura 11 para calcular a secção mínima de cabo necessária.

Paredes de estuque ou Pladur (falsas)

Posicione a régua de alinhamento no local desejado para colocar a coluna. A régua está marcada com as linhas centrais de colocação vertical e horizontal para auxiliar no alinhamento.

Trace à volta do rebordo exterior da régua e corte precisamente no interior da linha.

Para melhorar a integridade mecânica da parede e reduzir a probabilidade de vibrações, recomendamos que aplique um pouco de cola de Madeira ao longo das juntas entre a traseira da parede de pladur e os pilares de travamento nas proximidades das colunas.

Passo o cabo pela abertura, permitindo que o comprimento seja suficiente para ligar a coluna sem problemas, mas não em excesso já isto poderá provocar vibrações contra a estrutura.

Construção de parede de Pladur

A coluna pode ser instalada uma vez a parede terminada encastrando normalmente, mas é mais fácil posicionar e cortar o buraco se o kit opcional de pré montagem for utilizado antes do acabamento final. Agrade ou pregue o PMK aos pilares como descrito nas instruções fornecidas com o mesmo. Passe o cabo e segure-o no ponto de fixação no PMK. Permita um comprimento suficiente para ligar confortavelmente a coluna, mas não em excesso para não provocar vibrações contra a estrutura. Os resultados são afectados pela forma como o pladur é fixado aos pilares de travamento e nós recomendamos para além do aparafusamento a colagem dos painéis aos pilares nas proximidades da coluna. Uma vez a placa aplicada, o rebordo interno do

PMK serve como guia para o buraco a ser aberto. Se for necessário isolamento acústico extra para as salas adjacentes ou algum tipo de protecção contra a propagação de fogo, utilize a caixa traseira opcional em vez do PMK. Siga as instruções incluídas com a caixa traseira para a colocação e passagem do cabo. Quando colocar a placa de pladur, use mastig entre a folha e a caixa traseira para evitar vibrações. Corte a abertura utilizando o rebordo da caixa traseira como guia. Dependendo do diâmetro da cortadora, poderá ter necessidade de cortar os cantos com uma serra.

Construção em parede sólida

Para que a performance de graves não fique comprometida, a coluna requer um volume de cavidade de pelo menos 20 litros (0.7 cu ft). Isto significa, numa parede standard de 10cm (4 in) de espessura, que a cavidade se estenderá para além dos limites da moldura da coluna. É possível providenciar esta cavidade simplesmente através da utilização de um lintel, cobrindo o buraco com pladur e colocando a coluna como descrito acima para colocação em parede falsa. (figura 6) No entanto, a caixa traseira providencia um meio útil para definir o volume mínimo requerido.

Siga as instruções fornecidas com a caixa traseira para fixação e passagem do cabo. Se utilizar o método de acabamento com estuque ou reboco molhado, dê primeiro uma camada de adesivo PVA na caixa traseira antes do reboco para evitar vibrações, como resultado do afastamento do estuque da caixa à medida que este seca. Se utilizar pladur, cole placas às superfícies da caixa traseira utilizando mastig flexível. Corte a abertura utilizando o rebordo como guia. Dependendo do diâmetro da cortadora, poderá ter necessidade de cortar os cantos com uma serra. Em qualquer dos casos, recomendamos a não utilização de cimento ou argamassa para fixar a caixa traseira ao tijolo. As vibrações são mais facilmente evitadas pela utilização de cunhas e mastig flexível. (figura 7)

Amortecendo a cavidade

Encha a cavidade ou a caixa traseira, mas não o espaço imediatamente posterior à coluna, com fibra de vidro ou placas de lâ mineral. A compactação do material deverá ser suficiente de molde a evitar que o mesmo descaia ou se desprenda com o tempo. Numa cavidade aberta, encha até uma distância de pelo menos 30cm acima e abaixo da coluna. (figura 8)

IMPORTANTE: Assegure-se que o material utilizado obedece às normas de segurança contra incêndios.

Colocando a coluna

Todas as ligações deverão ser feitas com o equipamento desligado.

Com a grelha e o frontal da coluna removidos, posicione a moldura de parede na abertura e aparafuse os 10 parafusos visíveis pela frente. (figura 9) Estes parafusos automaticamente fazem girar

para fora os grampos localizados por detrás da superfície de montagem. Assegure-se que estes estão correctamente posicionados antes os apertar totalmente. É permitida uma certa flexibilidade à moldura para que se adapte a alguma irregularidade da superfície de montagem, mas não exagere no aperto dos parafusos pois se o empeno da moldura da coluna for excessivo poderá ter dificuldade em colocar a grelha.

Ligue o cabo, verificando a correcta polaridade.

Uma vez que a moldura de parede esteja segura, coloque e aperte o frontal com as unidades e o crossover, utilizando os 8 parafusos providenciados. (figura 10) Certifique-se que a grelha entra suavemente no lugar sem a colocar totalmente. Se estiver demasiadamente apertada, retire o painel frontal e verifique os grampos da moldura que por excesso de aperto estejam a deformar a mesma.

Acabamento

A moldura tem um acabamento branco semi-mate pintável, pronta se necessário para levar o acabamento que combine com o seu decor. Remova a grelha e coloque a mascara de pintura antes de dar o acabamento. Não pinte as unidades ou o painel frontal. Evite tocar nas unidades, pois pode danificá-las.

Antes de pintar a grelha, retire a película da sua traseira, de outra forma os orifícios ficarão preenchidos e o som ficará desequilibrado. Se quando recolocada a película não voltar a ficar no lugar, pulverize a traseira da grelha (e NÃO a película) com uma ligeira camada de 3M SprayMount adesivo ou similar.

Italiano

Garanzia limitata

Egregio cliente

Un benvenuto da parte della B&W.

Questo prodotto è stato progettato e fabbricato secondo i più alti standard qualitativi. Tuttavia, nell'improbabile caso di un guasto o malfunzionamento, B&W Loudspeakers e i suoi distributori nazionali garantiscono parti sostitutive e mano d'opera gratuite (alcune eccezioni sono possibili) nei paesi in cui è presente un distributore ufficiale B&W.

Questa garanzia limitata è valida per un periodo di cinque anni dalla data di acquisto o di due anni per i componenti elettronici, altoparlanti inclusi.

Termini e condizioni

- 1 La garanzia è limitata alla sola riparazione delle apparecchiature. La garanzia non copre i costi di trasporto o nessun altro tipo di costo, né i rischi derivanti dalla rimozione, il trasporto e l'installazione dei prodotti.
- 2 La garanzia è valida solo per l'acquirente originario e non è trasferibile.
- 3 Questa garanzia è applicabile solo in caso di materiali e/o fabbricazione difettosi al momento dell'acquisto e non è applicabile nei seguenti casi:
 - a. danni causati da installazione, connessione o imballaggio incorretti,
 - b. danni causati da un uso inadeguato del prodotto, diverso dall'uso specificato nel manuale dell'utente, negligenza, modifiche o impiego di componenti non fabbricati o autorizzati da B&W,
 - c. danni causati da apparecchiature ausiliarie difettose o inadatte,
 - d. danni causati da incidenti, fulmini, acqua, fiamme, calore, guerra, disordini pubblici o altra causa al di fuori del ragionevole controllo di B&W e i suoi ufficiali distributori,
 - e. quando il numero di serie del prodotto è stato alterato, cancellato, rimosso o reso illeggibile,
 - f. se riparazioni o modifiche sono state effettuate da persone non autorizzate.
- 4 Questa garanzia completa le obbligazioni di legge regionali e nazionali dei rivenditori o distributori nazionali e non incide sui diritti del consumatore stabiliti per legge.

Riparazioni sotto garanzia

Se sono necessarie delle riparazioni, seguire le procedure delineate qui di seguito:

- 1 Se le apparecchiature sono utilizzate nel paese in cui sono state acquistate, contattare il rivenditore autorizzato B&W da cui sono state acquistate.
- 2 Se le apparecchiature non sono utilizzate nel paese in cui sono state acquistate, contattare il distributore

nazionale B&W nel paese di residenza, che sarà in grado di fornire i dettagli della ditta incaricata delle riparazioni. Contattare B&W nel Regno Unito o visitare il sito web per i dettagli dei vari distributori di zona.

Per ricevere assistenza in garanzia, bisognerà esibire, compilata e timbrata dal rivenditore il giorno dell'acquisto, il tagliando di garanzia e lo scontrino d'acquisto originale o altro tipo di prova d'acquisto con data d'acquisto.

Manuale di istruzioni

Introduzione

Grazie per avere acquistato i diffusori CWM LCR8 Bowers & Wilkins.

Dalla sua fondazione nel 1966, la linea guida di B&W è stata quella di ricercare sempre la perfetta riproduzione del suono. Questa filosofia, ispirata dal suo fondatore John Bowers, non comporta solo elevati investimenti in termini tecnologici e di sviluppo, ma anche una costante ricerca sugli effetti della tecnologia stessa nella riproduzione di musica e film.

Il CWM LCR8 è un diffusore da incasso di elevata qualità che può essere posizionato sia in verticale , che in orizzontale come diffusore centrale.

Comunque, indipendentemente dalla qualità dei diffusori stessi, non si potranno raggiungere le migliori prestazioni se non si effettua una corretta installazione. Vi preghiamo di leggere attentamente il manuale, vi aiuterà ad ottimizzare le prestazioni del sistema.

B&W è presente in 60 paesi in tutto il mondo, ed i suoi distributori nazionali saranno in grado di aiutarvi nel caso in cui doveste avere un problema che il vostro rivenditore non riesce a risolvere.

Controllate il contenuto

L'imballo dovrebbe contenere:

Nel contenitore 1:

Telaio
Griglia in tessuto
Dima di montaggio
Maschera verniciabile

Nel contenitore 2:

Pannello con altoparlanti e crossover
Viti di fissaggio

Posizionamento

Verificate che non vi siano interferenze con altre installazioni (tubature, aria condizionata, cavi di alimentazione). In costruzioni preesistenti utilizzate uno strumento per rilevare accuratamente la struttura e un rivelatore di tubature per sondare la posizione di installazione proposta. Tenendo conto delle dimensioni dei diffusori assicuratevi che ci sia spazio sufficiente dietro al telaio del diffusore per il libero movimento dei dispositivi di fissaggio. Evitate di installare i diffusori in un incavo della parete quale un condotto molto

stretto che potrebbe provocare vibrazioni. I diffusori sono progettati per operare in modo soddisfacente in una vasta gamma di spazi, idealmente in volumi maggiori di 20L, perciò assicuratevi che il volume non sia troppo basso. Questo è particolarmente importante quando il diffusore è installato in posizione orizzontale per utilizzo come canale centrale.

In caso di installazione in muri pieni, predisponete una cavità nel muro più grossa del diffusore, altrimenti le prestazioni dei bassi potrebbero essere compromesse. I diffusori sono bilanciati per un montaggio a mezza altezza (es.: a livello sul soffitto). Il posizionamento vicino ad una giunzione parete/soffitto o in un angolo è da evitarsi in quanto potrebbe dare origine a una qualità sonora troppo bassa e rimbombante. Se possibile mantenete i diffusori a più di 0.5m dai bordi del muro/soffitto. La sezione seguente contiene indicazioni per il posizionamento ottimale, che comunque possono essere adeguate alle caratteristiche del vostro ambiente.

ATTENZIONE: I diffusori producono un campo magnetico statico. Perciò vi raccomandiamo di posizionarli ad almeno 0,5m da qualsiasi apparecchio che potrebbe esserne disturbato (ad es. il tubo catodico di un TV o uno schermo di un PC).

Diffusori frontali per applicazioni audio o home theatre

La migliore riproduzione sonora in 2-canali si ottiene quando i diffusori sono montati in posizione verticale, con i tweeter ad altezza dell'orecchio, orientati tra 40° e 60° verso il centro della posizione di ascolto. (figura 1)

Per applicazioni home theatre i diffusori frontali destro e sinistro dovrebbero essere a circa 0.5m dal bordo dello schermo ed il canale centrale dovrebbe essere posizionato in posizione centrale rispetto allo schermo. Per il diffusore centrale, la posizione orizzontale è preferibile per ragioni estetiche, dovrete scegliere solo se montarlo sopra o sotto lo schermo per posizionarlo ad altezza dell'orecchio. (figura 2)

Diffusori surround

I diffusori dovrebbero essere posizionati con i tweeter a 60cm o più al di sopra dell'altezza della testa dell'ascoltatore.

5.1 canali

L'angolo di orientamento orizzontale verso il centro della posizione di ascolto, dovrebbe essere compreso tra circa 120° dal centro dello schermo. (figura 3)

6.1 canali

Posizionate i due diffusori laterali in linea con il centro della posizione di ascolto, ed uno al centro dietro gli ascoltatori. (figura 4)

7.1 canali

Posizionate i due diffusori laterali in linea con il centro della posizione di ascolto, e due dietro gli ascoltatori, con una angolazione di circa 40°. (figura 5)

PREPARAZIONE DELL'INSTALLAZIONE

Sceita dei cavi

Un cavo di collegamento dei diffusori on una resistenza eccessiva potrebbe causare una dispersione di potenza ed alterare la risposta in frequenza dei diffusori. Cercate sempre di mantenere la resistenza più bassa possibile, con una resistenza di loop entro 0.5ohms in normali sistemi, e per ottenere i migliori risultati, entro 0.2ohms. Utilizzate la tabella della figura 11 per calcolare il tipo di cavo necessario.

Pareti in cartongesso esistenti

Posizionate la dima nella posizione desiderata del diffusore. Sulla dima sono tracciate le linee centrali orizzontale e verticale per facilitare l'allineamento.

Tracciate una linea seguendo i contorni esterni della dima e praticate una apertura all'interno della linea disegnata.

Per diminuire la possibilità di vibrazioni, vi consigliamo di applicare della colla tra il telaio del diffusore ed il telaio del muro.

Fate passare i cavi di connessione attraverso l'apertura, considerando di lasciarli ad una lunghezza tale da potere collegare i diffusori, ma non troppo lunghi da potere vibrare o interferire con la struttura.

Pareti in cartongesso nuove

Il diffusore può essere installato dopo che il muro è stato completato come indicato sopra, ma è più facile praticare l'apertura nel pannello se il kit di pre-montaggio opzionale viene utilizzato prima di installare il pannello. Fissate il PMK al telaio del muro con chiodi o altro come descritto nelle istruzioni nel kit. Posizionate i cavi ed assicuratevi al PMK, lasciandoli abbastanza lunghi da potere collegare i diffusori, ma non troppo lunghi da potere vibrare o interferire con la struttura. La resa del diffusore deriva da quanto bene sia stato fissato al telaio del muro: vi raccomandiamo inoltre di rinforzare con colla o chiodi il fissaggio dei pannelli vicino al diffusore. Una volta posizionato il PMK, la flangia interna dello stesso può essere utilizzato come guida per il seghetto. Se necessitate di ulteriore isolamento acustico o ignifugo, utilizzate il back box opzionale al posto del PMK. Seguite le istruzioni fornite in dotazione al back box per il montaggio. Quando installate il telaio, usate della colla tra il foglio ed il back box per evitare vibrazioni. Praticate l'apertura con un seghetto utilizzando la flangia del back box come guida.

Muri pieni

Per non compromettere le prestazioni alle basse frequenze, il diffusore necessita di una cavità di volume pari ad almeno 20L: in un muro standard dello spessore di 10cm, la cavità dovrà essere allargata al di fuori dei bordi del diffusore. E' possibile realizzare una cavità più larga del diffusore e coprire il buco con del cartongesso, fissando ad esso il diffusore come descritto in precedenza (figura 6). Comunque, utilizzando il back box opzionale sarà garantito il volume minimo necessario.

Seguite le istruzioni fornite in dotazione al back box per il montaggio. Se decidete di rifinire il muro con intonaco/gesso, per prima cosa stendete uno strato di adesivo PVA sul lato posteriore del back box, altrimenti le vibrazioni potrebbero causare crepe sul muro. Se nel muro è presente dell'isolante (es: lana di roccia), incollato alla superficie del back box con della colla flessibile. Praticate una apertura utilizzando la flangia come guida. In tutti i casi, vi raccomandiamo di non utilizzare cemento o malta per fissare il back box al muro. Le vibrazioni possono essere meglio sopresse utilizzando un fissaggio elastico. (figura 7)

Riempimento dell'intercapedine

Colmate la cavità del muro o il back box, ma non lo spazio dietro al diffusore, con fibra di vetro o lana di roccia che consente anche di prevenire la possibilità che del materiale possa cadere all'interno del diffusore. In una intercapedine, riempite la zona circostante il diffusore fino ad almeno 30cm. (figura 8)

IMPORTANTE: Assicuratevi di utilizzare materiali conformi alle norme antincendio e di sicurezza in vigore nel vostro paese.

Fissaggio del diffusore

Tutti i collegamenti dovrebbero essere effettuati con gli apparecchi spenti.

Posizionate il telaio nella cavità, senza le griglie e gli altoparlanti, ed avvitate le 10 viti visibili sulla parte anteriore; (figura 9) così facendo i ganci che bloccano il telaio sulla superficie di montaggio si posizionano automaticamente. Assicuratevi comunque che siano nella corretta posizione prima di serrare le viti. Una certo gioco è tollerato per recuperare eventuali difformità della superficie su cui è montato, ma se le viti vengono serrate troppo forte potrebbe piegarsi il telaio e la griglia potrebbe non aderire perfettamente.

Collegate i cavi osservando le polarità.

Una volta montato il telaio, avvitate il pannello con gli altoparlanti ed il crossover, utilizzando le 8 viti in dotazione. (figura 10) Verificate che la griglia si inserisca agevolmente in posizione senza inserirla completamente. Se c'è troppa interferenza, rimuovete il pannello e controllate il serraggio dei ganci del telaio sul muro.

Personalizzazione

Il telaio ha una finitura semi opaca bianca verniciabile, pronta per essere verniciata, se necessario. Rimuovete la griglia e fissate la maschera di verniciatura prima della verniciatura. Non dipingete gli altoparlanti o la zona del pannello dietro la griglia. Evitate di toccare gli altoparlanti perché potreste danneggiarli.

Prima di verniciare la griglia, rimuovete il tessuto dalla parte posteriore, altrimenti i pori saranno occlusi ed il suono ne verrà penalizzato. Se il tessuto, quando andrete a riposizionarlo, non rimane attaccato sulla parte posteriore della griglia, spruzzate su quest'ultima (NON sul tessuto) un sottile strato di colla spray del tipo 3M SprayMount o simile.

Nederlands

Beperkte garantie

Geachte cliënt,

Welkom bij B&W.

Dit product is volgens de hoogste kwaliteitsnormen ontworpen en vervaardigd. Mocht er toch iets defect zijn aan dit product dan kunt u aanspraak maken op gratis vervanging van onderdelen via de nationale distributeur van B&W Loudspeakers (er zijn uitzonderingen) in elk land waar een officiële B&W distributeur gevestigd is.

Deze beperkte garantie is geldig voor een periode van vijf jaar vanaf de aankoopdatum en twee jaar voor de elektronica, waaronder actieve luidsprekers.

Voorwaarden

- 1 De garantie is beperkt tot de reparatie van de apparatuur. Transport- en andere kosten, eventueel risico voor het verwijderen, vervoeren en installeren van producten vallen niet onder deze garantie.
- 2 De garantie geldt alleen voor de eerste eigenaar en is niet overdraagbaar.
- 3 Deze garantie is niet van toepassing in andere gevallen dan defecten van materialen en/of fabricage ten tijde van aankoop en is niet van toepassing:
 - a. voor schade die veroorzaakt is door onjuiste installatie, aansluiting of verpakking;
 - b. voor schade die veroorzaakt is door onjuist gebruik, anders dan beschreven in de handleiding, nalatigheid, modificatie, of gebruik van onderdelen die niet door B&W goedgekeurd of gemaakt zijn;
 - c. voor schade veroorzaakt door defecte of ongeschikte aanvullende apparatuur;
 - d. voor schade veroorzaakt door ongeval, onweer, water, brand, hitte, oorlog, openbaar geweld of een andere oorzaak buiten controle van B&W en haar distributeurs;
 - e. voor producten waarvan het serienummer gewijzigd, verwijderd, gewist of onleesbaar gemaakt is;
 - f. indien reparaties of modificaties uitgevoerd zijn door een onbevoegd persoon.
4. Deze garantie vult eventuele nationale / regionale wettelijke verplichtingen voor dealers of nationale distributeurs aan en heeft geen invloed op uw wettelijke rechten als consument.

Garantieclaims

Wanneer u aanspraak wilt maken op garantie handelt dan als volgt:

- 1 Indien de apparatuur gebruikt wordt in het land van aankoop, neem dan contact op met de erkende B&W dealer waar de apparatuur gekocht is.
- 2 Indien de apparatuur niet het land van aankoop wordt gebruikt, neem dan

contact op met de nationale distributeur van B&W in het land waar u verblijft. Deze zal u informeren hoe te handelen.

U kunt contact opnemen met B&W in Groot-Brittannië of onze website bezoeken voor het adres van uw plaatselijke distributeur. Om aanspraak te maken op garantie, dient u uw koopbon te overleggen.

Handleiding

Inleiding

Dank u voor de aanschaf van de Bowers & Wilkins CWM LCR8 luidsprekers.

Sinds de oprichting in 1966 heeft B&W als uitgangspunt het streven naar perfecte geluidsweergave. Geïnspireerd door de oprichter van het bedrijf, wijlen John Bowers, heeft dit streven niet alleen grote investeringen in audio technologie en innovatie gebracht, maar vooral ook de blijvende waardering van muziek en film zorgen ervoor dat de technologie optimaal tot zijn recht komt.

De CWM LCR8 is een luidspreker voor echte liefhebbers en kan zowel verticaal als horizontaal worden toegepast; het laatste geeft in esthetisch opzicht een beter resultaat bij gebruik als center luidspreker.

Hoe goed de luidsprekers zelf ook zijn, zij komen alleen volledig tot hun recht wanneer ze optimaal geïnstalleerd zijn. Lees daarom eerst deze handleiding in zijn geheel door. Het zal u helpen de maximale prestaties uit uw systeem te halen.

B&W wordt verkocht in meer dan 60 landen over de gehele wereld en heeft een netwerk van speciale distributeurs die u bij kunnen staan in het geval u een probleem heeft dat uw handelaar niet kan oplossen.

Controleer de inhoud

In de doos vindt u twee kleinere dozen:

In doos 1:

Muurbeugel
Grill met stoffen inzet
Montagemal
Verfsjabloon

In doos 2:

Frontplaat met de eenheden en wisselfilter
Bevestigingsschroeven

Kiezen van de juiste positie

Controleer eerst of er geen problemen kunnen ontstaan met andere installaties (waterleiding, airco, lichtnet enz.). In bestaande tussenwanden zoekt u met speciaal gereedschap steunbalken en leidingen op om de optimale montagepositie te bepalen. Aan de hand van de tekening van de luidspreker controleert u of er voldoende ruimte achter de wand is om de bevestigingsklampen geheel te openen. Vermijd montage van de luidsprekers in dezelfde open ruimte als lichte buizen en dergelijke, daar deze kunnen gaan rammelen. De luidsprekers

zijn ontwikkeld voor goede prestaties in een holle ruimte van liefst meer dan 20 liter; let er dus op dat de ruimte niet teveel wordt beperkt door verstevigingsbalken. Dat is vooral van belang wanneer de luidspreker horizontaal wordt geïnstalleerd voor toepassing als center kanaal. Om de luidspreker horizontaal te monteren kan het nodig zijn een deel van een verticale steunbalk te verwijderen en zal het noodzakelijk zijn twee gekruiste balken aan te brengen om de structuur en de sterkte van de wand te handhaven.

Bij vaste wanden kan het noodzakelijk zijn een holle ruimte in de muur te maken tot buiten de maten van het luidsprekerchassis om de laagweergave niet te belemmeren. De luidsprekers zijn afgestemd op montage gelijk met de wand of het plafond, verzonken dus. Kiest u daarvoor een plaats in de nabijheid van een hoek van wanden of wand/plafond, dan kan het resultaat teveel laag bevatten en zelfs boemiger klinken. Probeer de luidsprekers minimaal 0,5 m uit de hoek en van vloer of plafond te houden. De volgende paragrafen geven informatie over de optimale opstelling, die uiteraard door de omstandigheden kan worden beïnvloed.

WAARSCHUWING: deze luidsprekers bezitten een statisch magnetisch veld en worden daarom minimaal 0,5 m verwijderd te blijven van magnetisch gevoelige apparatuur zoals beeldbuisen in TV's en computers.

Front luidsprekers voor audio of home theater

Het beste ruimtebeeld voor tweekanaals audio krijgt u wanneer de luidsprekers verticaal in de wand zijn gemonteerd met de tweeters ongeveer op oorhoogte en onder een hoek van 40 tot 60° naar het luistergebied. (afbeelding 1)

Voor meerkanaals home theater dienen de linker en rechter luidsprekers ongeveer 0,5 m van de zijkant van het beeldscherm te blijven en de center luidspreker zo dicht mogelijk bij het centrum van het beeld te worden opgesteld. Voor een center luidspreker wordt om esthetische redenen meestal de horizontale opstelling geprefereerd, in welk geval moet worden gekozen voor een positie boven of onder het beeldscherm. Kies de positie die het dichtst bij oorhoogte is. (afbeelding 2)

Surround luidsprekers

Monteer de luidsprekers met de tweeters ca. 60 cm boven de hoogte van uw hoofd.

5.1 Kanalen

In het horizontale vlak dient een hoek van ongeveer 120° vanuit het centrum van het beeldscherm naar het luistergebied aangehouden te worden. (afbeelding 3)

6.1 Kanalen

Plaats twee luidsprekers aan de zijkant in lijn met het centrum van het luistergebied en één in het midden achter de luisteraars. (afbeelding 4)

7.1 Kanalen

Plaats twee luidsprekers aan de zijkant in lijn met het centrum van het luistergebied

en twee achter de luisteraars, onder een onderlinge hoek van ca. 40°.

VOORBEREIDING

Welke kabels

Een te hoge kabelweerstand gaat ten koste van het vermogen en beïnvloedt ook de frequentiekenmerk van de luidspreker. Houd de weerstand altijd zo laag mogelijk; de weerstand van beide aders samen dient liefst beneden 0,5 ohm te blijven en voor optimaal resultaat beneden 0,2 ohm. Raadpleeg de tabel in afbeelding 11 om de minimale kabeldikte te berekenen.

Montage in bestaande wanden

Plaats de montageplaat op de plaats waar u de luidspreker wilt inbouwen. De mal is voorzien van horizontale en verticale hartlijnen om het markeren te vergemakkelijken.

Markeer de positie zorgvuldig binnen de mal en maak exact binnen de markering de opening.

Om de structuur en sterkte van de wand niet aan te tasten en bijgeluiden zoals rammelen te voorkomen, raden we u aan een ruime hoeveelheid houtlijm of mastiek aan te brengen tussen de balken en de wand in de nabijheid van de luidspreker.

Leg de kabel naar de opening en houd voldoende lengte om de luidspreker gemakkelijk aan te kunnen sluiten, maar niet teveel daar het loshangende stuk kan gaan rammelen tegen de constructie.

Nieuwe tussenwand

De luidsprekers kunnen worden geïnstalleerd nadat de wand is voltooid, op dezelfde manier als hiervoor omschreven, maar het is eenvoudiger om de plaats te bepalen en het gat uit te zagen wanneer de voormontageset wordt gebruikt voordat de gipsplaat of steenstrip wordt aangebracht. Niet of spijker de PMK (voormontageset) op de balken als aangegeven in de bij de set gevoegde aanwijzingen. Leg de kabel en zet deze vast op het bevestigingspunt op de PMK. Houd voldoende lengte om de luidspreker gemakkelijk aan te kunnen sluiten, maar niet teveel daar het loshangende stuk kan gaan rammelen tegen de constructie. Het resultaat wordt beïnvloed door de hechting van de gipsplaat op de balken en wij raden u dan ook aan de panelen rond de luidsprekers zowel te lijmen als te nieten of spijkeren op de balken. Is de gipsplaat eenmaal aangebracht, dan dient de buitenrand van de PMK als mal voor het uitzagen van de opening. Wanneer extra isolatie naar andere kamers nodig is en/of bescherming om verspreiding van vuur tegen te gaan, gebruik dan de extra leverbare achterkast in plaats van de PMK. Volg dan de aanwijzingen bij de achterkast voor het leggen en afwerken van de kabel. Bij het aanbrengen van de gipsplaat altijd lijm of mastiek gebruiken tussen de beplating en de achterwand om rammelen te voorkomen. Zaag of snij de luidsprekeropening uit en gebruikt de achterkast daarbij als mal. Afhankelijk van de diameter van de boor, kan het nodig zijn in de hoeken met een zaag scherpe hoeken te maken.

Vaste wand

Om de basweergave niet te hinderen heeft de luidspreker een ruimte van minimaal 20 liter nodig. Dat wil zeggen dat bij een standaard wanddikte van 10 cm de ruimte doorloopt buiten de grenzen van het luidsprekerframe. Deze ruimte kan worden verkregen door simpelweg gebruik te maken van een latei en het gat met plaat af te dekken en de luidspreker te monteren als eerder beschreven bij montage in een tussenwand. (afbeelding 6) Hoe dan ook, de achterkast biedt een handige manier om het gewenste volume te verkrijgen.

Volg de bij de achterwand gevoegde aanwijzingen voor wat betreft de afwerking en het leggen van de kabel. Werkt u e.e.a. af met stucwerk, breng dan eerst een rechthoek op de achterkast aan om rammelen te voorkomen, daar het stucwerk bij het drogen krimpt en dan niet hecht aan de achterwand. Bij gebruik van steenstrips brengt u deze op de achterkast aan met flexibele mastiek. Bepaal de opening met de flens als mal. Afhankelijk van de diameter van de zaag kan het nodig zijn de hoek met een zaag recht te maken. In alle gevallen raden we u geen cement of mortel te gebruiken om de achterkast in de muur te bevestigen. Rammelen kan het beste worden voorkomen door flexibele mastiek en ankers te gebruiken. (afbeelding 7)

Dempen van de opening

Vul de opening of de achterkast, maar niet de ruimte direct achter de luidspreker, met glaswol of iets dergelijks. De dichtheid ervan dient juist voldoende te zijn om te voorkomen dat het materiaal na verloop van tijd naar beneden zakt. In een open wandruimte vullen tot minimaal 30 cm boven en onder de luidspreker. (afbeelding 8)

BELANGRIJK: zorg ervoor dat de materialen die u gebruikt voldoen aan de plaatselijke brand- en veiligheidseisen.

Bevestigen van de luidspreker

Schakel bij het maken van de verbindingen alle apparatuur uit.

Verwijder de grill en het luidsprekerpaneel (baffle), positioneer het frame in de opening en zet het met de 10 zichtbare schroeven in de voorzijde vast. (afbeelding 9) Deze schroeven openen vanzelf de klampen achter het frontpaneel. Controleer of ze in de juiste positie zijn voordat u de schroeven echt vastdraait. Een zekere mate van buiging van het frame om eventuele ongelijkheid van de wand op te vangen, is toelaatbaar. Let er echter op de schroeven niet te vast te draaien omdat dan door buiging van het luidsprekerframe de grill moeilijk zal passen.

Let bij het aansluiten van de kabels vooral op de juiste populariteit.

Zit het frame eenmaal goed op zijn plaats, breng dan de baffle met de eenheden en het wisselfilter weer aan en zet het met de 8 bijgevoegde schroeven vast. (afbeelding 10) Controleer of de grill makkelijk op zijn plaats schuift, vooraan zonder deze vast te zetten. Klemt het,

verwijder dan de baffle weer en controleer de klampen en of deze te vast zijn aangedraaid waardoor het frame gebogen is.

Afwerking

Het frame is half mat wit afgewerkt en is geschikt om gelakt te worden in een kleur die bij uw interieur past. Verwijder de grill en breng het verfmasker aan voordat u aan de afwerking begint. Zorg dat u de eenheden of de baffle niet mee verft. Vermijd ook aanraking van de eenheden daar deze gemakkelijk beschadigd worden.

Voordat u de grill verft eerst de stofafdichting verwijderen daar deze verstopt raakt met verf en het geluid zal tegenhouden wanneer deze ook wordt geveerd. Blijft de stof nadat deze weer is aangebracht niet goed op zijn plaats, spray dan wat lijmspray op de grill (NIET of de stof) om deze weer vast te zetten.

Ελληνικά

Περιορισμένη εγγύηση

Αξιότιμε Πελάτη

Καλωσορίσατε στην B&W.

Το παρόν προϊόν έχει σχεδιαστεί και κατασκευαστεί σύμφωνα με τις υψηλότερες προδιαγραφές ποιότητας. Πάντως, εάν κάποιο πρόβλημα όντως παρατηρηθεί με το προϊόν αυτό, η B&W Loudspeakers και οι εθνικοί της αντιπρόσωποι, εγγυώνται ότι θα παρέχουν χωρίς χρέωση εργασία (μπορεί να ισχύσουν περιορισμοί) και εξαρτήματα σε κάθε χώρα όπου υπάρχει εξουσιοδοτημένος αντιπρόσωπος της B&W.

Η περιορισμένη αυτή εγγύηση ισχύει για μια περίοδο δύο ετών από την ημερομηνία αγοράς και δύο ετών για τα ηλεκτρονικά συμπεριλαμβανομένων και των ενεργών ηχείων.

Όροι και προϋποθέσεις

- 1 Η εγγύηση καλύπτει μόνο την επισκευή του εξοπλισμού. Η εγγύηση δεν καλύπτει τα έξοδα μεταφοράς, ή οποιαδήποτε άλλα έξοδα, ούτε άλλους κινδύνους για τη μετακίνηση, μεταφορά και εγκατάσταση των προϊόντων.
- 2 Η εγγύηση ισχύει μόνο για τον αρχικό αγοραστή. Δεν μεταβιβάζεται.
- 3 Η εγγύηση δεν θα ισχύει σε περιπτώσεις που δεν σχετίζονται με αστοχία υλικών και/ή εργασία συναρμολόγησης κατά τον χρόνο αγοράς και δεν θα ισχύει:
 - a. για ζημιές που προκλήθηκαν από λανθασμένη εγκατάσταση, σύνδεση ή συσκευασία,
 - β. για ζημιές που προκλήθηκαν από οποιαδήποτε άλλη από τη σωστή χρήση όπως περιγράφεται στο εγχειρίδιο χρήστη, από αμέλεια, από μετατροπές ή από χρήση εξαρτημάτων που δεν κατασκευάζονται ούτε έχουν εγκριθεί από την B&W,
 - γ. για ζημιές που προκλήθηκαν από βλαπτικό ή ακατάλληλο βιοηθικό εξοπλισμό,
 - δ. για ζημιές που προκλήθηκαν από ατυχήματα, αστραπές, νερό, φωτιά, θερμότητα, πόλεμο, λαίκες εξεγέρσεις ή οποιαδήποτε άλλη αιτία υπεράνω του εύλογου ελέγχου της B&W και των εξουσιοδοτημένων αντιπροσώπων της,
 - ε. για προϊόντα των οποίων ο αριθμός σειράς έχει μεταβληθεί, διαγραφεί, αφαιρεθεί ή έχει καταστεί δυσανάγνωστος,
- στ. εάν έχουν γίνει επισκευές ή μετατροπές από κάποιο μη-εξουσιοδοτημένο άτομο.

- 4 Η εγγύηση αυτή συμπληρώνει οποιοδήποτε εθνικό / περιφερειακό νόμιμο δικαίωμα αντιπροσώπων ή εθνικών διανομικών και δεν επηρεάζει τα νόμιμα δικαιώματα σας ως καταναλωτού.

Πως μπορείτε να ζητήσετε επισκευές υπό την παρούσα εγγύηση

Εάν ο εξοπλισμός χρειαστεί επισκευή, παρακαλώ ακολουθείστε την ακόλουθη διαδικασία:

- 1 Εάν ο εξοπλισμός χρησιμοποιείται στη χώρα όπου αγοράστηκε, επικοινωνήστε με τον εξουσιοδοτημένο αντιπρόσωπο της B&W από όπου αγοράσατε τον εξοπλισμό.
- 2 Εάν ο εξοπλισμός χρησιμοποιείται εκτός από τη χώρα αγοράς, θα πρέπει να επικοινωνήσετε με τον εξουσιοδοτημένο αντιπρόσωπο της B&W στη χώρα που κατοικείτε που θα σας συμβουλευθεί πού μπορείτε να επισκευάσετε τον εξοπλισμό. Μπορείτε να καλέσετε την B&W στην Βρετανία ή να επισκεφθείτε τη σελίδα μας στο [Internet](#) για να βρείτε πληροφορίες ως προς την διεύθυνση του τοπικού σας αντιπροσώπου.

Για να ισχύσει η εγγύηση, θα πρέπει να έχετε μαζί σας το απόκομμα εγγύησης συμπληρωμένο και σφραγισμένο από τον πωλητή σας την ημέρα της αγοράς. Εναλλακτικά, θα χρειαστεί να δείξετε την πρωτότυπη απόδειξη ή τιμολόγιο ή άλλη απόδειξη ιδιοκτησίας και ημερομηνίας αγοράς.

Οδηγίες Χρήσεως

Εισαγωγή

Σας ευχαριστούμε που επιλέξατε τα ηχεία CWM LCR8 της Bowers and Wilkins.

Από την ίδρυσή το 1966, η φιλοσοφία της B&W είναι η διαρκής αναζήτηση της τέλει αναπαραγωγής του ήχου. Εμπνευσμένη από την ιδρυτική εταιρεία του John Bowers, η αναζήτηση αυτή δεν αποτέλεσε μόνο την αφετηρία για εντυπωσιακές επενδύσεις στην τεχνολογία του ήχου και μία ατέλειωτη σειρά καινοτομιών που έφεραν επανάσταση στο χώρο, αλλά βελτίωσε την ικανότητά μας να εκτιμούμε σωστά τη μουσική και τις κινηματογραφικές ταινίες, έτσι ώστε η μοναδική αυτή τεχνολογία να αξιοποιείται στο μέγιστο.

Το CWM LCR8 είναι ένα εντοχιζόμενο ηχείο επιπέδου audiophile, που μπορεί να τοποθετηθεί σε κάθετη ή οριζόντια θέση, με την τελευταία να είναι πρακτικά και αισθητικά ιδανική για τη θέση του κεντρικού καναλιού σε ένα σύστημα οικιακού κινηματογράφου.

Ωστόσο, όσο καλό και αν είναι ένα ηχείο, δεν θα μπορέσει να αποδώσει στο μέγιστο των δυνατοτήτων του, αν

δεν εγκατασταθεί σωστά. Για το λόγο αυτό, καλό είναι να διαβάσετε προσεκτικά τις οδηγίες που περιλαμβάνονται σε αυτό το φυλλάδιο, για να μπορέσετε να βελτιστοποιήσετε την απόδοση του συστήματός σας.

Η B&W έχει ένα δίκτυο αποκλειστικών αντιπροσώπων σε περισσότερες από 60 χώρες, οι οποίοι θα μπορούν να σας βοηθήσουν στην περίπτωση που συναντήσετε κάποια προβλήματα που δεν μπορεί να λύσει ο πωλητής σας.

Περιεχόμενα συσκευασίας

Το εξωτερικό κιβώτιο θα πρέπει να περιέχει:

Στη συσκευασία 1:

Πλαίσιο εντοχισης
Προστατευτικό πλέγμα με υφασμάτινη πίσω πλευρά
Πρότυπο (φόρμα) για το μαρκάρισμα της θέσης του ηχείου στον τοίχο
Κάλυμμα βαφής

Στη συσκευασία 2:

Το κυρίως τμήμα του ηχείου με τα μεγάφωνα και το κύκλωμα διαχωρισμού (crossover)
Βίδες στριβής

Επιλογή θέσης

Τοποθετήστε τα ηχεία σε σημείο που να μην είναι κοντά σε άλλες εσωτερικές εγκαταστάσεις (σωλήνες ύδρευσης, εγκατάσταση κλιματισμού, καλώδια ρεύματος κ.λπ.). Σε υπάρχουσες κατασκευές με γυψοσανίδες (ψευδοροφές κ.λπ.), χρησιμοποιήστε ειδικά εργαλεία για τον εντοπισμό των πλασίων του σκελετού, σωλήνων κ.λπ. ώστε να τοποθετήσετε τα ηχεία στις κατάλληλες θέσεις. Δείτε το σχέδιο της κατατομής του ηχείου και βεβαιωθείτε ότι υπάρχει αρκετός χώρος πίσω από τη γυψοσανίδα ώστε οι σφικτικές να μπορούν να τοποθετηθούν άνετα. Αποφύγετε να τοποθετήσετε τα ηχεία σε εσωτερική κολοδήτα όπου υπάρχουν λεπτοί σωλήνες, για να αποφύγετε τους κραδασμούς. Τα ηχεία είναι σχεδιασμένα για να λειτουργούν ικανοποιητικά σε κολοδήτες διαφορετικών όγκων. Ωστόσο ο ιδανικός όγκος της κολοδήτας είναι 20 λίτρα ή μεγαλύτερος, έτσι φροντίστε ώστε ο εσωτερικός χώρος τοποθέτησης των ηχείων να μην περιορίζεται από το σκελετό της γυψοσανίδας. Αυτό είναι ιδιαίτερα σημαντικό για το ηχείο του κεντρικού καναλιού που τοποθετείται οριζόντια. Για την οριζόντια τοποθέτηση, τμήμα του ενός κάβητου δοκαρίου πρέπει να αφαιρεθεί, με αποτέλεσμα να χρειάζονται δύο σταυρωτά δοκάρια για να διατηρηθεί η αντοχή και η σταθερότητα του τοίχου.

Σε σμαγαιές τοίχους, το άνοιγμα που θα κάνετε για την τοποθέτηση του ηχείου θα πρέπει να είναι μεγαλύτερο από τις εξωτερικές του διαστάσεις, έτσι ώστε να μην περιορίζεται η απόδοση των μπάσων. Τα ηχεία είναι

σχεδιασμένα για να τοποθετούνται "half-space" (δηλ. σε εσοχή στον τοίχο ή στο ταβάνι). Αν τα τοποθετήσετε κοντά στην ένωση του τοίχου με το ταβάνι ή σε γωνία, μπορεί να αυξηθούν υπερβολικά τα μπάσα και ο ήχος να είναι "μουντός". Προσπαθήστε τα ηχεία να απέχουν τουλάχιστον μισό μέτρο από τις γωνίες. Οι επόμενες ενότητες περιλαμβάνουν γενικές οδηγίες για την καλύτερη τοποθέτηση των ηχείων, όμως ίσως χρειαστεί να κάνετε ορισμένες αλλαγές για να προσαρμοστές την εγκατάσταση στις ιδιαιτερότητες του χώρου.

ΠΡΟΣΟΧΗ: Τα ηχεία παράγουν στατικό μαγνητικό πεδίο. Για το λόγο αυτό δεν πρέπει να τοποθετηθούν σε απόσταση μικρότερη από μισό μέτρο από συσκευές που μπορούν να επηρεαστούν από το πεδίο αυτό, όπως είναι οι τηλεοράσεις και οι οθόνες των ηλεκτρονικών υπολογιστών).

Εμπρόσθια ηχεία για στερεοφωνικά συγκροτήματα και συστήματα οικιακού κινηματογράφου

Η καλύτερη ηχητική απεικόνιση σε στερεοφωνικά συστήματα επιτυγχάνεται όταν τα ηχεία είναι τοποθετημένα κάθιστα στον τοίχο, με τα μεγάφωνα υψηλών συχνοτήτων (tweeters) στο ύψος των αυτιών, και σχηματίζοντας μία νοητή γωνία μεταξύ 40 και 60 μοιρών με το κέντρο της θέσης ακρόασης. (Εικόνα 1)

Σε πολυκανάλα συστήματα οικιακού κινηματογράφου, τα δύο εμπρόσθια ηχεία πρέπει να απέχουν περίπου μισό μέτρο από τα άκρα της οθόνης, και – αυτό ισχύει και για το κεντρικό ηχείο – το ύψος τους να είναι όσο πιο κοντά γίνεται στο κέντρο του ύψους της οθόνης. Για το κεντρικό ηχείο, η οριζόντια θέση είναι συνήθως προτιμότερη για αισθητικούς λόγους, ενώ μπορεί να τοποθετηθεί επάνω ή κάτω από την οθόνη, ανάλογα με τη θέση που είναι πλησιέστερη στο ύψος των αυτιών (Εικόνα 2).

Ηχεία surround

Τα ηχεία surround (πίσω ηχεία) πρέπει να τοποθετούνται με τα tweeters 60 cm επάνω από το ύψος του κεφαλιού.

Συστήματα 5.1 καναλιών

Η οριζόντια γωνία με το κέντρο της θέσης ακρόασης πρέπει να είναι περίπου 120 μοίρες γύρω από το κέντρο της οθόνης (Εικόνα 3).

Συστήματα 6.1 καναλιών

Τοποθετήστε δύο ηχεία σε ευθεία με το κέντρο της θέσης ακρόασης, και ένα κεντρικά, πίσω από τους ακροατές (Εικόνα 4).

Συστήματα 7.1 καναλιών

Τοποθετήστε δύο ηχεία σε ευθεία με το κέντρο της θέσης ακρόασης, και δύο πίσω από τους ακροατές, έτσι ώστε να σχηματίζουν νοητή γωνία 40 περίπου μοιρών (Εικόνα 5).

ΠΡΟΕΤΟΙΜΑΣΙΑ ΤΟΥ ΧΩΡΟΥ ΕΓΚΑΤΑΣΤΑΣΗΣ

Επιλογή καλωδίων

Αν τα καλώδια έχουν υπερβολικά υψηλή αντίσταση, ελαττώνεται η ισχύς και αλλοιώνεται η απόκριση συχνότητας των ηχείων. Επιλέξτε καλώδια με όσο το δυνατό πιο χαμηλή αντίσταση. Η αντίσταση βρόγχου (loop resistance) θα πρέπει να είναι μικρότερη από 0.5 ohms, ενώ για απαιτητικές εφαρμογές και καλύτερα αποτελέσματα, θα πρέπει να μην ξεπερνά τα 0.2 ohms. Χρησιμοποιήστε τον πίνακα της Εικόνας 11 για να υπολογίσετε την ελάχιστη διάμετρο των καλωδίων.

Υπάρχουσα ψευδο-κατασκευή (γυφθοσανίδα, ψευδοροφή κ.λπ.)

Τοποθετήστε το πρότυπο (φόρμα) στο σημείο που θέλετε να τοποθετήσετε το ηχείο. Η φόρμα έχει οριζόντιες και κάθετες κεντρικές γραμμές για να είναι ευκολότερη η ευθυγράμμιση.

Μαρκαρώστε την οπή γύρω από το εξωτερικό άκρο της φόρμας και κόψτε προσεκτικά, ελάχιστα μέσα από τη γραμμή.

Για να βελτιώσετε τη μηχανική ομοιογένεια του τοίχου και να μειώσετε το ενδοχόμενο κραδασμών, συνιστούμε να περάσετε ένα στρώμα ξυλόκολλας στους αρμούς μεταξύ της πίσω πλευράς της γυφθοσανίδας και του σκελετού, στην περιοχή γύρω από το ηχείο.

Περάστε το καλώδιο στο άνοιγμα, αφήνοντας αρκετό "αέρα" ώστε να το συνδέσετε εύκολα στο ηχείο, αλλά όχι υπερβολικό γιατί το καλώδιο που θα περισσεύει μπορεί να προκαλεί θόρυβο (τριξίματα κ.λπ.) ερχόμενο σε επαφή με την υπόλοιπη κατασκευή.

Νέα ψευδο-κατασκευή

Το ηχείο μπορεί να τοποθετηθεί μόλις ολοκληρωθεί ο τοίχος με τον ίδιο τρόπο που περιγράψαμε για τις υπάρχουσες κατασκευές, αλλά στις νέες κατασκευές είναι ευκολότερο να ανοίξετε την οπή αν χρησιμοποιήσετε το προ-εγκατάσταση (παρέχεται Εξχωριστά) πριν τοποθετηθεί η γυφθοσανίδα. Συνδέστε με κλίπς ή καρφώστε το σετ προ-εγκατάστασης PMK στο σκελετό, με τον τρόπο που περιγράφεται στις οδηγίες που το συνοδεύουν. Περάστε το καλώδιο και ασφαλίστε το στο ειδικό σημείο τοποθέτησης του PMK. Αφήνοντας αρκετό "αέρα" ώστε να το συνδέσετε εύκολα στο ηχείο, αλλά όχι υπερβολικό γιατί το καλώδιο που θα περισσεύει μπορεί να προκαλεί θόρυβο (τριξίματα κ.λπ.) ερχόμενο σε επαφή με την υπόλοιπη κατασκευή. Το ηχητικό αποτέλεσμα μπορεί να επηρεαστεί από το πόσο καλά είναι συνδεδεμένη η γυφθοσανίδα στο σκελετό, και συνιστούμε να κολλήσετε και να βιδώσετε ή να καρφώσετε τις πλάκες στο σκελετό, στην περιοχή γύρω από το ηχείο. Αφού τοποθετηθεί η

γυφθοσανίδα, χρησιμοποιήστε το εσωτερικό πλαίσιο του PMK για να ανοίξετε την τρύπα που θα μετρί το ηχείο. Αν θέλετε επιπλέον ηχομόνωση, ή προστασία από την εξάπλωση φωτιάς, χρησιμοποιήστε το "back box" (παρέχεται Εξχωριστά) στη θέση του PMK. Διαβάστε τις οδηγίες που συνοδεύουν το back box για να το τοποθετήσετε και να περάσετε τα καλώδια. Όταν τοποθετείτε τη γυφθοσανίδα, χρησιμοποιήστε στόκο μεταξύ των πλάκων και του back box για να αποφυγείτε τους θορύβους και τους κραδασμούς. Ανοίξτε την οπή που θα τοποθετηθεί το ηχείο χρησιμοποιώντας σαν οδηγό το πλαίσιο του back box. Αν χρησιμοποιήσετε φρέζα, ίσως χρειαστεί να τετραγωνίσετε τις γωνίες με ένα πρίονι.

Κανονική κατασκευή (συμπαγής τοίχος)

Για να μην περιορίζεται η απόδοση των μπάσων, η κοιλότητα του τοίχου στην οποία θα τοποθετηθεί το κάθε ηχείο πρέπει να έχει όγκο τουλάχιστον 20 λίτρα. Αυτό σημαίνει ότι σε ένα τυπικό τοίχο πάχους 10 εκατοστών, η κοιλότητα θα ξεπερνά τα όρια του πλαισίου του ηχείου. Είναι δυνατό να δημιουργήσετε αυτή την κοιλότητα, χρησιμοποιώντας απλά ένα πρίκι, καλύπτοντας την τρύπα με γυφθοσανίδα και τοποθετώντας το ηχείο όπως περιγράφεται πιο πάνω, στην ενότητα για τις υπάρχουσες ψευδο-κατασκευές (Εικόνα 6). Οστόσο, το back box είναι μία πιο απλή λύση για να εξασφαλίσετε τον ελάχιστο όγκο που χρειάζεται.

Ακολουθήστε τις οδηγίες που συνοδεύουν το back box, για να το τοποθετήσετε και να περάσετε τα καλώδια. Αν επιλέξετε μέθοδο φινιρίσματος με υγρό γύψο, χρησιμοποιήστε μία πολυβινυλική κόλλα (PVA) στο back box πριν περάσετε το γύψο, για να αποφυγείτε τους κραδασμούς, καθώς ο γύψος θα συστέλλεται και θα φεύγει από το back box όσο στεγνώνει. Αν χρησιμοποιήσετε γυφθοσανίδα, κολλήστε τις πλάκες στην επιφάνεια του back box χρησιμοποιώντας εύπλαστο στόκο. Κόψτε το άνοιγμα, χρησιμοποιώντας το πλαίσιο ως οδηγό. Ανάλογα με τη διάμετρο της φρέζας, ίσως χρειαστεί να τετραγωνίσετε τις γωνίες με ένα πρίονι. Σε κάθε περίπτωση, δεν συνιστούμε να χρησιμοποιήσετε τοιμεντό ή σοβά για να τοποθετήσετε το back box σε τοίχο με τούβλα ή πέτρα. Οι κραδασμοί αποφεύγονται καλύτερα αν χρησιμοποιήσετε εύπλαστο στόκο και σφήνες (Εικόνα 7).

Μόνωση της κοιλότητας

Γεμίστε την κοιλότητα του τοίχου ή το back box – αλλά όχι το χώρο ακριβώς πίσω από το ηχείο με στρώσεις υαλονημάτων (fiberglass) ή ορυκτοβάμβακα (mineral wool). Το πάχος του μονωτικού υλικού θα πρέπει να είναι μόνο όσο χρειάζεται για να μην πέσει η να χαλαρώσει με τον

καιρό. Σε ανοιχτή κοιλότητα, καλύψτε με τη μόνωση απόσταση τουλάχιστον 30 εκατοστών επάνω και κάτω από το ηχείο (Εικόνα 8).

ΠΡΟΣΟΧΗ: Βεβαιωθείτε ότι τα υλικά που θα χρησιμοποιήσετε τηρούν όλους τους κανονισμούς αντιπυρικής προστασίας και ασφαλείας.

Τοποθέτηση του ηχείου

Πριν κάνετε οποιαδήποτε σύνδεση θέστε όλες τις συσκευές του συστήματος εκτός λειτουργίας και βγάλτε τις από την πρίζα.

Έχοντας αφαιρέσει την προστατευτική ούλα και την εμπρόσθια όψη (μπάφλα) του ηχείου, τοποθετήστε το πλαίσιο εντοιχισής στο άνοιγμα και βιδώστε τις 10 βίδες που υπάρχουν μπροστά. Οι βίδες αυτές πάνουν αυτόματα σε σφικτήρες που υπάρχουν πίσω από την επιφάνεια του πλαισίου.

Βεβαιωθείτε ότι οι βίδες είναι απόλυτα ευθυγραμμισμένες με τους σφικτήρες πριν τις σφίξετε τελείως. Το πλαίσιο μπορεί να “παίζει” λίγο για να προσαρμοστεί σε ενδεχόμενη ανομοιομορφία της επιφάνειας του τοίχου, αλλά δεν θα πρέπει να σφίξετε υπερβολικά τις βίδες, γιατί αν παραμορφωθεί πολύ το πλαίσιο θα είναι δύσκολο να τοποθετήσετε τη ούλα του ηχείου.

Συνδέστε το καλώδιο τηρώντας τη σωστή πολικότητα (+, -).

Αφού τοποθετήσετε το πλαίσιο και βεβαιωθείτε ότι είναι στερεωμένο καλά, βιδώστε την εμπρόσθια όψη του ηχείου (μπάφλα) με τα μεγάρφανα και το κύκλωμα διαχωρισμού (Εικόνα 10). Ελέγξτε αν η προστατευτική ούλα μπαίνει εύκολα, χωρίς να την τοποθετήσετε πλήρως. Αν χρειάζεται ιδιαίτερη πίεση, αφαιρέστε την μπάφλα και ελέγξτε αν το πλαίσιο έχει παραμορφωθεί.

Βαφή

Το πλαίσιο είναι σε λευκό ματ χρώμα, το οποίο μπορεί να βαφεί στο χρώμα που θέλετε. Πριν βάψετε το πλαίσιο, αφαιρέστε την ούλα και τοποθετήστε την προστατευτική μάσκα βαφής. ΜΗΝ βάψετε τα μεγάρφανα ή το τμήμα της εμπρόσθιας όψης που βρίσκεται πίσω από τη ούλα. Αποφύγετε να αγγιζέτε τα μεγάρφανα γιατί μπορεί να προκληθεί ζημιά.

Πριν βάψετε την προστατευτική ούλα, αφαιρέστε το ύφασμα από την πίσω πλευρά της για να μην κλείσουν οι πόροι από το χρώμα και εμποδίζεται η σωστή απόδοση του ήχου. Αν όταν βάλετε πάλι το ύφασμα δεν στέκεται καλά, ριζέτε στην πίσω πλευρά της ούλας (OXI στο ύφασμα!) ένα λεπτό στρώμα κόλλας σε μορφή σπρέι, όπως η SprayMount της 3M ή κάποια παρόμοια.

Русский

Ограниченная гарантия

Уважаемый покупатель!

Добро пожаловать в компанию B&W!

Данное изделие было разработано и произведено в соответствии с высочайшими стандартами качества. Однако, при обнаружении какой-либо неисправности, компания B&W Loudspeakers и её национальные дистрибьюторы гарантируют бесплатный ремонт (существуют некоторые исключения) и замену частей в любой стране, обслуживаемой официальным дистрибьютором компании B&W.

Данная ограниченная гарантия действительна на период одного года со дня приобретения изделия конечным потребителем.

Условия гарантии

- 1 Данная гарантия ограничивается починкой оборудования. Затраты по перевозке и любые другие затраты, а также риск при отключении, перевозке и установке изделий не покрываются данной гарантией.
- 2 Действие данной гарантии распространяется только на первоначального владельца. Гарантия не может быть передана другому лицу.
- 3 Данная гарантия распространяется только на те неисправности, которые вызваны дефектными материалами и/или дефектами при производстве на момент приобретения и не распространяется:

- a. на повреждения, вызванные неправильной установкой, подсоединением или упаковкой,
- b. на повреждения, вызванные использованием, не соответствующим описанному в руководстве по применению, а также неправильным обращением, модифицированием или использованием запасных частей, не произведённых или не одобренных компанией B&W,
- в. на повреждения, вызванные неисправным или неподходящим вспомогательным оборудованием,
- г. на повреждения, вызванные несчастными случаями, молнией, водой, пожаром, войной, публичными беспорядками или же любыми другими факторами, не подпадающими под контроль компании B&W и её официальных дистрибьюторов,
- д. на изделия, серийный номер которых был изменён, уничтожен или сделан неузнаваемым,

e. на изделия, починка или модификация которых производились лицом, не уполномоченным компанией B&W.

4 Данная гарантия является дополнением к национальным/региональным законодательствам, которым подчиняются дилеры или национальные дистрибьюторы, то есть в возникновении противоречий, национальные/региональные законодательства имеют приоритетную силу. Данная гарантия не нарушает Ваших прав потребителя.

Куда обратиться за гарантийным обслуживанием

При необходимости получения гарантийного обслуживания, выполните следующие шаги:

- 1 Если оборудование используется в стране приобретения, Вам необходимо связаться с уполномоченным дилером компании B&W, у которого было приобретено оборудование.
- 2 Если оборудование используется за пределами страны приобретения, Вам необходимо связаться с национальным дистрибьютором компании B&W в данной стране, который посоветует Вам, где можно починить оборудование. Вы можете позвонить в компанию B&W в Великобритании или же посетить наш вебсайт, чтобы узнать контактные адреса Вашего местного дистрибьютора.

Для получения гарантийного обслуживания, Вам необходимо предоставить данный буклет, заполненный Вашим дилером и с поставленной им в день приобретения оборудования печатью; или же чек продажи или другое доказательство владения оборудованием и даты приобретения.

Руководство по эксплуатации

Введение

Благодарим за приобретение акустических систем (АС) CWM LCR8 производства компании Bowers and Wilkins.

Со времени основания в 1966 году, компания Bowers & Wilkins всегда ставила своей целью безупречное воспроизведение звука. Воздушевляемая в этом стремлении своим основателем, ныне покойным Джоном Бауэрсом, компания вкладывала большие средства не только в разработку новейших аудио технологий, но и в постоянное изучение особенностей современной музыки и

кино, чтобы использовать эти технологии максимально эффективно.

CWM LCR8 представляют собой встраиваемые в стену AC аудиофильного класса. Их можно ориентировать вертикально или горизонтально, последнее эстетически предпочтительнее при использовании AC в качестве центрального канала.

Однако, как бы хороши ни были AC сами по себе, их полный потенциал может раскрыться только при правильной установке. Пожалуйста, внимательно прочтите данное руководство. Оно поможет оптимизировать характеристики Вашей аудиосистемы.

V&W поддерживает сеть специализированных дистрибьюторов более чем в 60-ти странах. Если у Вас возникли какие-либо проблемы, с которыми не может справиться дилер, наши дистрибьюторы охотно придут на помощь.

Проверьте комплектацию

Большая коробка должна содержать:

В упаковке 1:

Настенную раму
Декоративную решетку с тканевой подложкой
Монтажный шаблон
Трафарет для окраски

В упаковке 2:

Звукоотражающую панель с динамиками и кроссовером
Фиксирующие винты

Размещение

Убедитесь, что установке AC на выбранном месте не мешают другие встроенные объекты (трубы, воздуховоды систем кондиционирования, силовые кабели и т.д.). Для поиска стоек и труб в готовой гипсокартонной стене можно воспользоваться специальными инструментами. Убедитесь, что за гипсокартонной плитой достаточно места для полной фиксации поворотных зажимов (найдите зажимы на прилагаемом чертеже). Не следует монтировать AC в одной полости с тонкими трубами, которые могут дребезжать. AC могут нормально работать в полостях различного объема, но предпочтительно, чтобы объем полости превышал 20 литров. Поэтому проверьте, не слишком ли ограничивают объем поперечные элементы конструкции. Особенно это важно при горизонтальной ориентации AC. Чтобы расположить AC горизонтально, приходится удалить часть вертикальной стойки и установить две поперечных перекладины для поддержки прочности стены.

В сплошной стене следует обеспечить полость, границы которой выходят за раму AC, иначе пострадает воспроизведение низких частот. AC рассчитаны на монтаж в

протяженную плоскость (например, потолок или софит). При размещении AC в углу или вблизи сопряжения стены с потолком низкие частоты могут усиливаться, отчего бас становится гулким. Старайтесь, чтобы расстояние до сопряжения стены с потолком составляло не менее 0,5 м. Ниже мы даем общие рекомендации по оптимальному размещению AC. Следуйте им с учетом особенностей домашней обстановки.

ПРЕДУПРЕЖДЕНИЕ: AC излучают статическое магнитное поле. Поэтому не следует размещать их в пределах 0,5 м от устройств, подверженных влиянию такого поля, например, телевизоров на ЭЛТ и персональных компьютеров.

Фронтальные AC в аудиосистеме или домашнем театре

В 2-канальной системе наилучшая фокусировка звукового образа достигается при вертикальной ориентации AC и расположении ВЧ динамиков примерно на высоте уха слушателя. AC должны образовывать угол от 40° до 60°, если смотреть с места слушателя. (рисунок 1)

В многоканальном домашнем театре левая и правая AC должны отстоять от краев экрана примерно на 0,5 м. Как и центральная AC, по высоте они должны быть как можно ближе к уровню середины экрана. Для центральной AC по эстетическим соображениям обычно предпочитается горизонтальная ориентация. Расположение над или под экраном выбирается в зависимости от того, что ближе к высоте уха слушателя. (рисунок 2)

AC окружающего звука

ВЧ динамики этих AC должны быть как минимум на 60 см выше уровня головы.

В 5.1-канальной системе

Две тыловые AC должны располагаться под углом примерно 120° относительно центральной оси. (рисунок 3)

В 6.1-канальной системе

Боковые AC разместите на уровне центра зоны прослушивания, а тыловую – на задней стене в центре. (рисунок 4)

В 7.1-канальной системе

Боковые AC разместите на уровне центра зоны прослушивания. Две тыловые AC поместите на задней стене так, чтобы угол между ними с точки зрения слушателя составлял примерно 40°. (рисунок 5)

ПОДГОТОВКА К МОНТАЖУ

Выбор кабеля

Повышенное сопротивление кабеля приводит к потере мощности и влияет на частотную характеристику AC. Предпочтительно, чтобы общее сопротивление кабеля (при измерении оба проводника кабеля соединены

последовательно) не превышало 0,5 Ома для некритичных случаев и 0,2 Ома для достижения наилучшего результата. Минимальную толщину кабеля можно найти в таблице на рис. 11.

Подготовка стены гипсокартонной

Приложите шаблон к стене в месте предполагаемого размещения AC. На шаблоне отмечены его центральные оси по горизонтали и вертикали.

Обведите шаблон по периметру и прорежьте отверстие точно по линии.

Для повышения механического единства конструкции и уменьшения вероятности дребезга, рекомендуем нанести чуть-чуть древесного клея или мастики вдоль стыков плиты с элементами конструкции в непосредственной близости от AC.

Протяните кабель в отверстие, оставив достаточно длины для удобного подсоединения AC, но не слишком много, т.к. провисший кабель может дребезжать о стену.

Подготовка гипсокартонной стены в процессе ее сборки

Можно установить AC в готовую стену, как указано выше, но проще сделать это с помощью опционального монтажного комплекта (ПМК), пока плита еще не прикреплена к стене. Прикрепите ПМК к элементам конструкции степлером или гвоздиками, как описано в инструкции на ПМК. Протяните кабель и закрепите его в точке фиксации ПМК. Оставьте небольшой запас длины для удобного подсоединения AC, но не слишком много, т.к. провисший кабель может дребезжать о стену. Полученный результат будет зависеть от качества крепления плиты к элементам конструкции, поэтому рекомендуем в непосредственной близости от AC, помимо шурупов или гвоздей, использовать клей. После установки плиты внутренней край ПМК служит направляющей для пилы или другого режущего инструмента. Если требуются звукоизоляция от соседних комнат или меры против распространения огня, вместо ПМК используйте опциональный монтажный короб. Следуя инструкциям на короб, протяните и закрепите кабель. При монтаже плиты между коробом и плитой нанесите мастику во избежание дребезга. Прорежьте отверстие, используя в качестве направляющей крошку короба. В зависимости от диаметра режущего инструмента, может потребоваться обработка углов пилы (доведение до прямого угла).

Подготовка сплошной стены

Чтобы не страдало воспроизведение низких частот, требуется объем полости не менее 20 литров. Это значит, что в стандартной кирпичной стене толщиной 10 см полость должна выходить за границы рамы AC. Можно

создать такую полость, просто используя горизонтальную перемычку, закрыть проем гипсокартонной плитой и смонтировать АС, как в готовую гипсокартонную стену. (рисунок 6) Кроме того, для обеспечения минимального требуемого объема полезным инструментом служит монтажный короб.

Следуя инструкциям на короб, протрите и закрепите кабель. Если в качестве отделки используется мокрая штукатурка, сначала загрунтуйте поверхность короба клеем ПВА. Это необходимо, чтобы после высыхания штукатурки ее отслоившиеся кусочки не дребезжали о короб. Если одновременно с коробом используется гипсокартонная плита, приклейте ее листы к поверхности короба эластичной мастикой. Прорежьте отверстие, используя в качестве направляющей кромку короба. В зависимости от диаметра режущего инструмента, может потребоваться обработка углов пилой (доведение до прямого угла). В любом случае мы не рекомендуем для крепления короба к кирпичной или блочной стене использовать цемент или раствор. Лучше всего предотвратить дребезг помогают эластичная мастика и расклинивание короба в положении, когда между ним и стеной остается свободный зазор. (рисунок 7)

Демпфирование полости

Заполните полость или короб (но не пространство непосредственно позади АС) пластом стекло- или минеральной ваты. Плотность материала должна быть такой, чтобы он со временем не стал сыпаться или провисать. Пустотелую стену заполните по крайней мере на 30 см выше и ниже АС. (рисунок 8)

ВНИМАНИЕ: Убедитесь, что применяемый материал соответствует противопожарным и строительным нормам.

Установка АС

Все электрические соединения должны производиться при выключенном оборудовании.

Поместите раму (без решетки и звукоотражающей панели) в отверстие и закрутите 10 видимых спереди винтов. (рисунок 9) При этом поворотные зажимы автоматически прикреплют раму к плите. Убедитесь, что все они заняли правильное положение, затем полностью затяните винты. Рама обладает определенной гибкостью, компенсирующей неровность монтажной поверхности. Однако не следует затягивать винты слишком сильно, так как лишнее искривление рамы может затруднить установку декоративной решетки.

Подсоедините кабель, соблюдая правильную полярность.

Надежно закрепив раму, привинтите звукоотражающую панель с динамиками и кроссовером 8-ю винтами, входящими

в комплект. (рисунок 10) Проверьте, чтобы решетка легко вставала на место, но фиксируя ее окончательно. Если решетку трудно вставить, удалите звукоотражающую панель и проверьте, не перетянуты ли винты поворотных зажимов.

Отделка

Полуматовая белая поверхность рамы готова к окраске в соответствии с цветовой гаммой интерьера. Перед окраской рамы удалите декоративную решетку и наложите трафарет. Нельзя наносить краску на динамики и звукоотражающую панель. Не прикасайтесь к динамикам, их легко повредить.

Перед окраской декоративной решетки удалите ткань с ее обратной стороны, иначе просветы в ткани закупорятся и пострадает качество звука. Если при возврате от диаметра ткань не будет лежать плоско, распылите на обратную сторону решетки (а НЕ на ткань) немного аэрозольного клеящего вещества, например, 3M SprayMount.

Česky Záruka

Milý zákazník, vítáme Vás mezi št astnými majiteli výrobků firmy B&W.

Výrobky firmy B&W jsou vyráběny tak, aby vyhověly všem požadavkům našeho náročného zákazníka. Nicméně, vznikne-li přesto nějaká závada, firma BW Loudspeakers a její místní dovozce udělají vše potřebné, aby váš výrobek byl bezplatně (krom uvedených výjimek) opraven či uveden do řádného stavu.

Záruka běží po dobu 5 let a vztahuje se na neelektronické součásti výrobku. Dvouletá záruka je pak poskytována na veškeré elektronické součásti výrobků včetně zesilovačů aktivních reprosoustav.

Podmínky záruky

- 1 Záruka se vztahuje pouze na opravy výrobků. Nepokrývá přepravu reklamovaného výrobku do servisního střediska, manipulaci s ním a ani žádná rizika z přepravy a manipulace plynoucí.
- 2 Záruka platí pouze pro prvního kupce výrobku, při dalším prodeji se již nepěnáší.
- 3 Práva vyplývající ze záruky nebudou uznána v případě jiných závad než závad materiálu a dílenského zpracování a dále zejména v těchto případech:
 - a. výrobky byly špatně nainstalovány, zapojeny nebo špatně uskladněny či zabaleny,
 - b. výrobky byly zapojeny či použity jinak než se uvádí v návodu k použití, byla zanedbána jejich údržba, byla modifikovány nebo byly použity jiné než originální náhradní díly,
 - c. výrobky byly používány společně s nevhodným zařízením,
 - d. výrobky byly poškozeny nehodou, bleskem, vodou, ohněm, válkou, veřejnými nepokoji nebo nějakou jinou okolností za kterou firma B&W Loudspeakers ani její místní dovozce nemohou nést odpovědnost,
 - e. výrobní číslo výrobků bylo změněno, smazáno, odstraněno nebo se stalo nečitelným,
 - f. výrobky byly opravovány neautorizovanou osobou.
- 4 Tato záruka doplňuje místní právní úpravu záruční doby dle té které země a neplatí v těch bodech, které jsou s místní právní úpravou v rozporu. Neplatí v případech, kdy tato záruka jde nad rámec místní úpravy.

Uplatnění záruky

Uplatňujete-li reklamaci, postupujte prosím dle následujících kroků:

- 1 Reklamujete-li výrobek v zemi, ve které byl i zakoupen, kontaktujte autorizovaného prodejce výrobků B&W, kde jste výrobek zakoupili.

- 2 Reklamujete-li výrobek v jiné zemi, než ve které byl zakoupen, kontaktujte dopravce, který servis zajistí. Příslušného dopravce zjistíte buď přímo telefonicky u firmy B&W nebo na jejich [www stránkách](#).

Při uplatnění záruky se vždy prokazuje zúčastněným listem, který musí být opatřen datem prodeje, razítkem a podpisem autorizovaného prodejce. Alternativně se můžete prokázat paragonem či fakturou na základě které jste výrobek koupili. I tyto doklady musí obsahovat datum, podpis a razítko autorizovaného prodejce.

Návod k použití

Úvod

Děkujeme, že jste si vybrali značku Bowers & Wilkins.

Již od svého založení v roce 1966 vyrábí firma B&W reproduktory pro náročné. Již od dob zakladatele společnosti Johna Bowerse neinvestuje společnost pouze do audio technologií a inovací, ale snaží se porozumět novým trendům v poslechu hudby a sledování filmů – to vše proto, aby zajistila maximální efektivitu svých výrobků v těchto náročných aplikacích.

Model CWM LCR8 je kvalitní audiofilská reproduktora určená k vertikálnímu či horizontálnímu zabudování. V případě horizontální montáže může být využita i jako centrální.

Bez ohledu na to o jak kvalitní reproduktory se samo osobě jedná, je vždy nanejvýš důležitá jejich patřičná instalace a zabudování. Proto si prosím přečtěte tento manuál celý. Pomůže vám to zoptimalizovat celý váš domácí hudební systém.

Firma B&W udržuje síť výhradních distributorů ve více než 60 zemích světa, kteří Vám pomohou vyřešit váš problém v případě, že vám nebude schopen pomoci váš prodejce.

Kontrola obsahu

Krabice obsahuje :

Balení 1:

Rámeček k instalaci do zdi
Mřížku s tkaninou
Montážní šablonu
Masku k aplikaci náteru

Balení 2:

Reproduktory a reproduktory a vyhybkou
Šroubky

Volba pozice

Zkontrolujte, aby se pozice pro reproduktory nepřekrývala s ostatními instalacemi (vodovodními trubkami, elektroinstalací apod.). Před montáží do sádkartonové stěny napřed lokalizujte prvky podpůrné konstrukce pomocí detektoru. Při montáži do sádkartonové desky, počítejte ze zadní strany s větší mezerou než je obrys reproduktory, aby bylo možné plně vysunout zadní úchyty reproduktory do stran. Vyvarujte se instalace reproduktory do dutiny, ve

kteří se nachází například tenkostěnné potrubí, které by mohlo rezonovat. Reproduktory jsou navrženy s předpokladem velkého potřebného pracovního objemu (tvořeného instalační dutinou), ideální je více než 20 litrů, takže se ujistěte, že prostor za reproduktory není ničím omezený. Tato podmínka je obzvláště důležitá při horizontální montáži reproduktory jako centrální. Při montáži do plně zdi zhotovte pokud možno dutinu širší než obrys reproduktorového rámečku, aby nebyla omezena reprodukce basů.

Reproduktory jsou konstruovány tak, aby při namontování do zdi vyzářovaly symetricky do půlkruhu. Umístění v rohu blízko jiné kolmé zdi či stropu může způsobit nepřijemné zdůraznění basů a jejich špatnou čitelnost. Zkuste umístit reproduktory dále než 0,5m od rohů zdi. Následující doporučení vám mohou být vodítkem pro optimální umístění, mohou však být modifikovány dle podmínek prostoru konkrétní instalace.

POZOR: Reproduktory produkují stálé magnetické pole. Proto se nedoporučuje umístit ovat do vzdálenosti menší než 0,5m od nich zařízení citlivá na magnetické vyzářování (např. klasické vakuové obrazovky TV přijímačů).

Přední reproduktory pro audio či domácí kino

Nejlepšího dojmu z dvoukanalové reprodukce docílíte namontováním reproduktory do zdi ve vertikální pozici, s výškovými reproduktory zhruba ve výšce uší posluchače. Úhel ke středu poslechového pole by měl být mezi 40° a 60°. (obr. 1)

Pro multikanalovou reprodukci v systému domácího kina by pravá a levá reproduktora měla být zhruba 0,5m od krajů zobrazovače a centrální reproduktora pod zobrazovačem, co nejblíže jeho středu. Pro centrální kanál bývá z estetických důvodů preferována horizontální orientace reproduktory. Vyberte umístění nad nebo pod zobrazovačem podle toho, při kterém je výškový reproduktor blíže výšce uší posluchače. (obr. 2)

Surround reproduktory

Reproduktory by měly být umístěny tak aby výškové reproduktory byly 60cm či více nad hlavou posluchače.

5.1 konfigurace

Horizontální úhel k centru poslechového pole by měl být asi 120° okolo středu obrazovky. (obr. 3)

6.1 konfigurace

Umístěte dvě reproduktory po stranách v linii středu poslechového prostoru a jednu doprostřed za posluchače (obr. 4)

7.1 konfigurace

Umístěte dvě reproduktory po stranách v linii středu poslechového prostoru a dvě za posluchače, tak aby svíraly úhel zhruba 40°. (obr. 5)

PŘÍPRAVA UMÍSTĚNÍ

Výběr kabelu

Nadměrný odpor kabelu snižuje výkon a degraduje frekvenční pásmo reproduktory. Vždy zkuste dodržovat co nejmenší odpor s hodnotou raději méně než 0,5 Ohm ve smyčce u méně kritických aplikací a pod 0,2 Ohm pro nekompromisní zvuk. Použijte tabulku z obrázku 11 pro výpočet doporučené hodnoty kabelu.

Při instalaci do již existující sádkartonové konstrukce

Umístěte šablonu na požadovanou pozici reproduktory. Na šabloně jsou horizontálně i vertikálně linky označující střed, které usnadňují nastavení.

Překreslete vnější rozměr šablony a jen podle vnitřních linek na šabloně vyřezáte otvor.

Pro zdokonalení mechanické integrity stěny a redukci rezonancí doporučujeme nanést lepidlo na dřevo či tmel na ta místa sádkartonu, o které se zaprou zádni úchyty reproduktory.

Protáhněte kabel ven otvorem a ponechte si délku postačující k pohodlnému připojování reproduktory, ne však takovou, aby volný kabel způsoboval rezonance.

Při nově budované sádkartonové konstrukci

Jednou z možností je instalovat reproduktory do již kompletní stěny dle výše popsaného způsobu. Pro nalezení pozice a vyřiznutí otvoru je ale lepší toto řešit dříve ještě sádkartonový panel není namontován, což také umožňuje použití příslušného Pre-Mount Kitu (PMK). Upevnění PMK ke konstrukci je popsáno v návodu kiti. Protáhněte kabel a zajistěte ho v upevňovacích bodech PMK. Nechte dostatečnou délku pro pohodlné zapojení reproduktory, nikoli však více, aby volný kabel nezpůsoboval rezonance uvnitř konstrukce. Nejlepších výsledků se dosáhne, je-li panel v okolí reproduktory pevně přichycen šrouby či hřebíky, nebo přilepen aby nerezonoval. Vnitřní příruba PMK slouží jako vodítko pro vyřiznutí či vyřezávání otvoru do připraveného panelu. Pro zvýšení akustické izolace (např. proti průzvučnosti do sousední místnosti) se doporučuje – stejně jako pro ochranu před požárem – použít místo PMK příslušný "Back Box". Pro přípravu Back Boxu a instalaci kabelu postupujte podle dodávaného návodu. Při přípravě sádkartonového panelu použijte měřítko jeho povrch a Back Box tmel, aby jste předešli rezonancím. Vyřezujte nebo vyřizněte dola otvor pro reproduktory přičemž použijte přírubu Back Boxu jako šablonu. V závislosti na průměru frézky budete možná muset doříznout rohy otvoru pilkou.

Při instalaci do plně zdi

Pro dosažení nekompromisního podání basů, vyžaduje reproduktora pracovní objem v dutině alespoň 20 litrů. To znamená při standardní 10cm silné stěně

dotinu širší než je plocha vyhraničená rámečkem reprosoustavy. To je možné pomocí překrytí dutiny sádrokartonovým panelem a uchycením reprosoustavy způsobem popsáním v části upevnění do sádrokartonu. Back Box zabezpečuje minimální doporučený pracovní objem. Postupujte podle instrukcí dodávaných s Back Boxem pro uchycení a protažení kabelu. Pokud používáte na povrchovou úpravu mokrou omítku, naneste napřed na Back Box vrstvu adhesivního PVA, (obr. 6) aby se zabránilo sesychání a popraskání omítky před Back Boxem a pozdějším rezonancím.

Používáte-li sádrokarton, přilepte povrch k Back Boxu pružným tmelem. Vyřezujte nebo vyřízněte okolo otvor pro reprosoustavu přičemž použijte přírubu Back Boxu jako šablonu. V závislosti na průměru fréky budete možná muset doříznout rohy otvoru pilkou. Ve všech případech doporučujeme nepoužívat cement či maltu pro upevnění Back Boxu k cihlám či panelu. Rezonancím se nejlépe předejde použitím pružného tmelu. (obr. 7)

Zatlumení dutiny

Vypilňte dutinu nebo Back Box – nikoli však prostor bezprostředně za reprosoustavou – rohožemi ze skelné či minerální vaty. Hustota materiálu by měla být taková, aby se časem nebotil a nedeformoval. V otevřené dutině zdi zachovejte vzdálenost zatlumení min. 30cm od reprosoustavy. (obr. 8)

DŮLEŽITĚ: Dbejte aby materiály které používáte splňovaly místní protipožární a bezpečnostní předpisy.

Upevnění reprosoustavy

Veškeré připojování musí být prováděno při vypnutém zařízení.

Dokud není namontována mřížka a čelní ozvučnice reprosoustav, upravte pozici rámečku v otvoru a přišroubujte jej 10ti šrouby viditelnými zepředu. (obr. 9) Tyto šrouby automaticky vytočí do stran úchyty, které se nacházejí v zadní části pod povrchem. Než plně dotáhnete šrouby, ujistěte se o jejich správné pozici. Pružnost rámečku dovoluje přizpůsobení se drobným nerovnostem povrchu, dejte však pozor abyste jej přílišným dotažením šroubů nedeformovali.

Připojte kabel, zkontrolujte správnou polaritu.

Nemusela by kvůli tomu jít nasadit mřížka. Je-li uchycen rámeček, přišroubujte ozvučnici s reproduktory a vyhybkou dodávanými 8 šrouby. (obr. 10) Zkuste mírným nasunutím, zda mřížka pasuje správně na své místo, nezasunutí ji však zcela. Jde-li to velmi ztuhla, odmontujte ozvučnici a zkontrolujte, zda dotažení úchytných není příliš pevné a nedeformuje rámeček.

Přizpůsobení

Rámeček má bílou polomatnou povrchovou úpravu dovolující přebarvení aby reprosoustava lépe splynula s okolím. Sejměte mřížku a před barvením místo ní

použijte zakrývací masku k tomu určenou. Nepřebarvujte reproduktory nebo ozvučnici pod mřížkou. Vyvarujte se dotyku s membránami měničů – mohou být snadno poškozeny.

Před barvením mřížky z ní vyjměte protiprachový mul, při jeho zabarvení by ztratil svou průzvučnost. Pokud mul po znovuvložení nedrží na svém místě tak jak má, naneste na zadní část mřížky (NIKOLI na mul) slabou adhezivní vrstvu např. pomocí 3M SprayMount.

Magyar

Korlátozott garancia

Tisztelt Vásárlónk, üdvözli Önt a B&W!

Ezt a terméket a legmagasabb minőségű színvonalon tervezték és gyártották. Ha azonban a termék elromlik, a B&W Loudspeakers és annak hivatalos forgalmazói garantálják a térítésmentes javítást (ez alól adódhatnak kivételek) és cserealkatrészeket bármely olyan országban, amelyet egy hivatalos B&W forgalmazó lát el.

Ez a korlátozott garancia a vásárlás dátumától számított öt évig érvényes illetve elektronikai berendezésekre vonatkozóan (beleértve az erősítőt tartalmazó hangsugárzókat is) két évig.

Feltételek

- 1 A garancia csak a berendezés javítására vonatkozik. A terméknek sem szállítási és egyéb költségei, sem leszerelése, szállítása és üzembe helyezése nem tartozik ezen garancia hatásköre alá.
- 2 Ez a garancia csak az eredeti tulajdonos számára érvényes. Nem átruházható.
- 3 Ez a garancia csak a vásárlás időpontjában már fennálló, az anyagokban és/vagy a kivitelezésben bekövetkezett hibákra vonatkozik, és nem vonatkozik az alábbiakra:
 - a a helytelen üzembe helyezés, csatlakoztatás vagy csomagolás okozta károkra,
 - b a használati útmutatóban helyes használatként feltüntetett használati módtól eltérő felhasználásból, hanyagságból, módosításból vagy a B&W által jóvá nem hagyott alkatrészek alkalmazásából eredő károkra,
 - c hibás vagy nem megfelelő csatlakozó eszközök által okozott károkra,
 - d baleset, villámcsapás, beázás, tűz, háború, helyi zavargások vagy más, a B&W és kijelölt forgalmazói ésszerű hatáskörén kívül eső események okozta károkra,
 - e azokra a termékekre, amelyek sorozatszámát megváltoztatták, törölték, eltávolították vagy más módon olvashatatlanná tették,
 - f ha a javításokat vagy módosításokat egy arra fel nem hatalmazott személy végezte el.
- 4 Ez a garancia kiegészít minden más, a helyi szakkereskedőkre vagy országos forgalmazókra vonatkozó egyéb törvényt és nem érintik az Ön alapvető vásárlói jogait.

Hogyan igényelje a garanciális javítást

Amennyiben javítás válik szükségessé, kérjük kövesse az alábbi eljárást:

- 1 Ha a terméket a vásárlás országában használják, akkor lépjen kapcsolatba azzal a hivatalos B&W szakkereskedővel, akitől a berendezést vásárolta.
- 2 Ha a terméket nem a vásárlás országában használják, akkor lépjen kapcsolatba a tartózkodási ország B&W forgalmazójával, aki megadja Önnek a legközelebbi szerviz adatait. Felhívhatja még a B&W-t is az Egyesült Királyságban vagy meglátogathatja honlapunkat a helyi forgalmazó kapcsolat felvételi adatainak kiderítése érdekében.

A garancia érvényesítéséhez fel kell mutatnia ezt a garanciafüzetet, amit a szakkereskedőnek a vásárlás napján ki kell töltenie és le kell bélyegeznie. Ehelyett szüksége lehet az eredeti kereskedelmi számlára vagy a tulajdonosi viszonyt bizonyító más dokumentumra és a vásárlás dátumára.

Használati útmutató

Bevezetés

Köszönjük, hogy a Bowers & Wilkins CWM LCR8 hangsugárzót választotta.

Az 1966-os alapítása óta a B&W folyamatosan a legjobb hangminőség elérésének kutatását végzi. Ezt a küldetést a cég alapítója, idősebb John Bowers ihlette, aki szerint nem csak az audio technológiában és a fejlesztésében történő komoly mértékű befektetés fontos, hanem megbecsülése a zenének és a filmeknek is, ezzel biztosítván a technika maximális hatékonyságát.

A CWM LCR8 egy kiváló minőségű hangsugárzó, mely mind vízszintes, mind függőleges pozícióban is használható. Center hangsugárzóként való használatkor, javasoljuk a vízszintes pozíciót.

Azonban függetlenül attól, milyen kiválóak maguk a hangsugárzók, nem képesek teljes hatékonysággal üzemelni, amennyiben nem megfelelően kerülnek felszerelésre. Kérjük figyelmesen olvassa végig a kezelési útmutatót. Segíteni fog a rendszer optimális minőségű működésében.

A B&W világszerte több mint 60 országban van jelen és egy olyan szakképzett vizsonteladói hálózatot üzemeltet, akik képesek lesznek segíteni bármilyen felmerülő probléma megoldásában.

Tartozékok ellenőrzése

1 csomag:

falikeret
hangsugárzó rács szövettel
beépítő elem
festőmaszk

2 csomag:

keret/hangsugárzó és hangváltó
csavarok

Elhelyezés kiválasztása

Ellenőrizze, hogy nem ütközik semmilyen akadályba (csövezetek, légkondicionáló, elektromos vezetékek, stb.). Már elkészült vasbeton fal esetén használjon fémkeresőt. Győződjön meg arról, hogy a hangsugárzó beépítéséhez, elegendő mélységű a falvastagság. Tartózkodjon a hangsugárzó, olyan űrbe való beszerelésétől, ahol a falszerkezet laza, mivel ez zörgéshez vezethet. A hangsugárzók úgy lettek tervezve, hogy a maximális működéshez nagy űrmeget igényeljenek. Ennek mérete a 20 liter feletti űrtartalom. Ezért ellenőrizze hogy az űrmeget nem túl korlátozott, a belső falszerkezet konstrukciója miatt (keresztgerenda, falmélység, stb.)

Szilárd fal esetén készüljön fel, hogy olyan űrreget kell biztosítani a falba, mely a hangsugárzó keretein is kívül esik, ellenkező esetben a mélyhang teljesítmény nem lesz kielégítő. A hangsugárzók kiegyenlített fél-helyes beépítés szempontjából. Fal/plafon találkozása vagy sarok közelében történő elhelyezéskor, túl sok mélyhang keletkezhet és ez a hangnak kongó színezetet adhat, ezért próbálja meg a hangsugárzókat legalább fél méter távolságra elhelyezni a fal/mennyezet találkozási pontjaitól. A következő rész elmagyarázza a legoptimális elhelyezést, de ez változtatható a lakberendezési szempontok alapján is.

FIGYELMEZTETÉS: A hangsugárzók állandó mágneses mezőt hoznak létre. Ezért ne helyezze fél méteres körzetbe olyan készülékek, mely érzékeny erre a mezőre (hagyományos CRT képsőves TV készülékek vagy monitorok).

Első hangsugárzók audio vagy házimozis használatra

A 2 csatorna legjobb hangképe abban az esetben válik elérhetővé, amennyiben az a falban függőlegesen s a hallgatói pozícióhoz képest, 40-60 fokkal van elhelyezve. (1. ábra)

Többcsatornás házimozis kialakítása esetén a bal és a jobb hangsugárzókat a kellemes megjelenítőtől min. 0,5 m távolságra, a centerhangsugárzót pedig a képernyő középmagasságához a lehető legközelebb.

A középsugárzót vízszintesen a képernyő alsó vagy felső részéhez helyezze, attól függően, hogy melyik van közelebb a fülmagassághoz. (2. ábra)

Surround hangsugárzók

A hangsugárzókat célszerű legalább 60 centiméterrel a fejmagasság felé helyezni.

5.1 csatorna

A hallgatói pozíció középpontjához viszonyítva a vízszintes szögnek megközelítőleg 120 fokos körben kell elhelyezkednie a képernyő középpontjától. (3. ábra)

6.1 csatorna

Helyezzen el két hangsugárzót két oldalra, egy vonalban a középsugárzóval, ebből az egyik pontosan a hallgató mögött legyen. (4. ábra)

7.1 csatorna

Helyezzen el két hangsugárzót két oldalra, egy vonalban a középsugárzóval, kettő a hallgatók mögött legyen, körülbelül 40 fokos szögben. (5. ábra)

A HELY ELŐKÉSZÍTÉSE

A hangsugárzóvezetékek kiválasztása

A túlzott ellenállású hangsugárzó vezetékek teljesítmény pazarolnak és a hangsugárzó frekvencia választás módosítják. Ezért célszerű olyan vezetéket választania, melynek ellenállása lehetőleg ne legyen több 0,5 ohmnál, kompromisszummentes alkalmazásoknál 0,2 ohm impedanciájú kábel használjon. Használja a 11. ábra táblázatát a minimális vezeték méret megállapításához.

Meglévő falba történő beépítés (gipszkarton, farostlemez)

Jelölje meg a hangsugárzó középpozícióját és a mérce helyzetét, így a jel látható a középső lyukban.

Rajzolja körbe a mérce külső szélét és vágja ki gondosan a vonalon épp csak belül maradvá.

A fal mechanikai épségének megőrzéséhez és az esetleges zörgések elkerülése végett, egy csepp faenyvet vagy gyantát helyezzen a gipszkarton hátsó része és a hangsugárzó tartó közé (gipszkartonnal)

A hangsugárzókábelek hosszúságát a lehető legrövidebbre vágjuk- természetesen akkorra hogy a kényelmesen beköthető legyen-, hogy a fennmaradó felesleges kábel ne zörgöghessen a szerkezetben.

Új falazásba történő beépítés (gipszkarton, farostlemez)

A hangsugárzó a mennyezetre vagy falra is felszerelhető az előbbieken ismertetett módon, de a munkát jelentősen megkönnyíthetik azzal, ha az opcionális beépítő keretet használják (PMK).

Kapcsolja vagy tűzze a PMK-t a reteszhöz, a készlethez kapott kezelési útmutatóban ismertetett módon. Vigye a hangfalkábelt a PMK-hoz és rögzítse. Hagyon megfelelő mennyiségű vezetékét a kényelmes csatlakoztatáshoz. Az eredményesség érdekében, javasoljuk, ragassza, csavarozza vagy tűzze a gipszkartont a reteszhöz. Amint a lap a helyére került, a PMK belső pereme egy vezetőként szolgál egy lyukfűrész a fűrész számára. Amennyiben különleges akusztikai elkülönítés vagy némi védelem szükséges a tűz ellen, használja az opcionális hátsó dobozt a PMK helyett. Kövesse a doboz használati útmutatójában leírtakat, a vezetékek elhelyezésével kapcsolatban. Amikor behelyezi a gipszkartont, használjon gyantát a lapok és a hátsó doboz között a

zörgés elkerülése végett. Fűrészelje ki a hangszugárzó nyílást a hátsó doboz peremén kialakított mérce segítségével. Esetleg szükség lehet a sarkok lefűrészelésére is.

Szilárd falba történő beépítés

Hogy a mélyhang teljesítmény optimális legyen, a hangszugárzó kb. húsz literes üregre igényel. Egy 10cm-es vastagságú fal esetén az üreg tül fog nyúlni a hangszugárzó keretén. Amennyiben lehetséges egyszerűen nyílászáthidalás segítségével, a lyukat eltakarva egy gipszkartonnal, helyezze el a hangszugárzót az előbbi fejezetekben leírtan. (6. ábra) Azonban hátsó doboz használatá is lehetséges, az optimális működés érdekében.

Kövésse a doboz használati útmutatójában leírtakat, a vezetékek elhelyezésével kapcsolatban. Amennyiben a hátsó doboz elhelyezése után begipszeli a réseket, előtte vigyen fel egy réteg ragasztót, amivel rögzíti a dobozt, a zörgések elkerülése végett. A zörgés a gipsz megszáradása után keletkezhet, mivel összehúzódik és elválik a doboztól. Amennyiben gipszkartont használ, ragassza a lapokat a doboz felületére, rugalmas gyanta használatával. Hajtsa ki a nyílást a perem segítségével. Esetleg szükség lehet a sarkok lefűrészelésére is. Célserű a cement és a malter használatának elkerülése a hátsó doboz rögzítéséhez téglá vagy tőmbal esetén. A zörgést legjobban rugalmas gyanta és ékelés használatával kerülheti el. (7. ábra)

Az üreg csillapítása

Töltse ki a fali üreget vagy a hátsó dobozt, de ne közvetlenül a hangszugárzó mögött. Célserű béleletlen üvegyapotot vagy fonott gyapút használni. A sűrűség akkor megfelelő, amikor a csillapító anyag nem esik össze és nem ereszkedik meg. Egy nyitott fali üregben, legalább 30cm távolságot töltsön fel a hangszugárzó felett és alatt. (8. ábra)

FONTOS: Ügyeljen arra hogy a felhasznált csillapítóanyag, megfelelően a helyi tűzvédelmi és biztonsági előírásoknak.

A hangszugárzó felszerelése

Minden csatlakoztatást a készülék kikapcsolt állapotában végezze el.

Az eltávolított rácozatú hangszugárzót helyezze a nyílásba és csavarozza be az előlapon található 10 csavart. (9. ábra) Ezek a csavarok automatikusan kinyomják a rögzítő fűleket, melyek a hangszugárzó belső felületén vannak. Ügyeljen arra, hogy a rögzítő fűlek behelyezéskor megfelelő pozícióban álljanak. A csavarokat ne húzza túl, mert a keret eldeformálódhat.

Csatlakoztassa a vezetékeket a megfelelő polaritás figyelembevételével.

Amint a falikeret biztosan felszerelt állapotban van, csavarozza be a hangszugárzót és a hangváltót a mellékelt 8 db csavarral. (10. ábra) Ellenőrizze, hogy a rácozt kényelmesen a helyére

tudja illeszteni. Amennyiben túl szoros ellenőrizze a fali kereteket, hogy nem húzta-e túl a csavarokat.

Személyre szabás

A keret fehér, mely festhető felülettel rendelkezik, amennyiben a lakás berendezésével, színvilágával szeretné harmoniába hozni. Helyezze fel a festőmaszkot az újrafestés előtt. Ne fesse át a meghajtó egységet vagy a hangfal rácozn belül részét. Ügyeljen a meghajtó egység biztonságára, ezért ne érintse meg, mert az sérüléshez vezethet.

A rácoz festése előtt vegye le a szövethálót a hátsó részről, ellenkező esetben a nyílások eltömődnek és ez a hangminőség romlásához vezethet. Amennyiben a szövet nem marad a helyén fűjja be a rácozat belső részét (NE a szövethálót) egy 3M SprayMount könnyű ragasztóval vagy ehhez hasonlóval.

Polski

Gwarancja

Drogi kliencie, witamy w B&W

Ten produkt został zaprojektowany i wyprodukowany zgodnie z najwyższymi standardami jakości. Jednak, jeśli zdarzy się jakaś awaria, firma B&W Loudspeakers oraz jej międzynarodowi dystrybutorzy gwarantują bezpłatny serwis (wyjakti mogą wystąpić) na części i robociznę w każdym kraju, w którym jest autoryzowany dystrybutor B&W.

Warunki gwarancji

- 1 Gwarancja odnosi się tylko do naprawy sprzętu. Ani transport, ani żadne inne koszty, włącznie z ryzykiem przenoszenia, transportu i instalacji produktów nie są objęte tą gwarancją.
- 2 Gwarancja jest ważna tylko dla pierwszego właściciela. Nie przechodzi na następnych właścicieli.
- 3 Gwarancja obejmuje tylko i wyłącznie wady materiałowe lub inne wady ukryte w dniu zakupu. Gwarancja nie ma zastosowania w odniesieniu do:
 - a uszkodzeń spowodowanych niewłaściwą instalacją, podłączeniem lub zapakowaniem produktu,
 - b uszkodzeń spowodowanych niewłaściwą eksploatacją, niezgodną z instrukcją obsługi, modyfikacjami produktu lub wykorzystaniem części, które nie pochodzą od lub nie mają autoryzacji B&W,
 - c uszkodzeń spowodowanych przez popusze lub niewłaściwe urządzenia towarzyszące,
 - d uszkodzeń spowodowanych przez wypadki losowe, udary pioruna, wodę, pożar, czy inne czynniki, pozostające poza kontrolą firmy B&W i jej autoryzowanych dystrybutorów,
 - e produktów, których numer seryjny został zamazany, usunięty lub przerobiony,
 - f oraz w przypadku gdy wykonano już naprawy lub modyfikacje przez firmę lub osoby nieautoryzowane.
- 4 Ta gwarancja jest dopełnieniem prawnych podstaw udzielania gwarancji, obowiązujących na terenie danego kraju i nie narusza statutowych praw klienta.

Jak reklamować sprzęt na gwarancji

Jeśli zaistnieje potrzeba oddania produktu do serwisu, prosimy zaskoować się do następującej procedury:

- 1 Jeśli sprzęt jest używany w kraju zakupu, powinieneś skontaktować się z autoryzowanym dealerem, u którego sprzęt został zakupiony.
- 2 Jeśli sprzęt jest używany poza granicami kraju, powinieneś się skontaktować z dystrybutorem B&W właściwym dla miejsca zamieszkania

w celu uzyskania informacji, gdzie sprzęt może być serwisowany. Możesz zadzwonić do B&W w Wielkiej Brytanii lub odwiedzić naszą witrynę internetową aby uzyskać kontakt do lokalnego dystrybutora.

Abymy nadać gwarancję ważność, musisz wystąpić ją wypełnioną i podstemplowaną przez swojego dealera. Dodatkowo, konieczny jest dowód zakupu stwierdzający jego datę.

Instrukcja użytkownika

Wstęp

Dziękujemy za zakup głośników CWM LCR8 firmy Bowers & Wilkins.

Już od swego powstania w 1966 roku, B&W kontynuuje filozofię poszukiwania metod perfekcyjnej reprodukcji dźwięku. Badania, zainspirowane przez założyciela firmy Johna Bowersa, pociągają za sobą nie tylko konsekwentne inwestowanie w technologie audio i innowacje, ale wymagają również właściwego szacunku i zrozumienia dla muzyki i filmu, dzięki czemu, możemy wykorzystywać technologię z maksymalnym efektem.

CWM LCR8 jest audiofilskiej jakości głośnikiem ściennym, który może być wykorzystywany zarówno w pionowym jak i poziomym położeniu, które to z estetycznego punktu widzenia jest bardziej odpowiednim rozwiązaniem w przypadku zastosowania tego głośnika do obsługi kanału centralnego.

Niemniej, bez względu na to jak dobre będą same głośniki, nie wykorzystają one swego pełnego potencjału dopóki nie zostaną właściwie zamontowane. Prosimy o uważne przeczytanie tej instrukcji. Pomocze ona zoptymalizować parametry brzmieniowe całego systemu.

B&W dostarcza swoje produkty do ponad 60 krajów na całym świecie, utrzymując sieć specjalizowanych dystrybutorów, którzy są w stanie pomóc w rozwiązaniu jakichkolwiek problemów, z którymi nie może poradzić sobie Twój sprzedawca.

Sprawdź zawartość

Kartonowe opakowanie powinno zawierać:

W paczce 1:

Ramkę ścienną
Maskownicę z częścią tekstylną
Szablon montażowy
Szablon do malowania

W paczce 2:

Obudowę wraz z głośnikami i zwrótnicą
Wkręty mocujące

Wybór miejsca montażu

Sprawdź, czy nie zachodzi konflikt z przebiegiem innych instalacji (rury wodociągowe, kanały klimatyzacyjne, instalacja elektryczna itd.). W przypadku

plyt kartonowo-gipsowych, zwróć uwagę na położenie elementów stelażu nośnego, aby właściwie określić umiejscowienie głośnika. Korzystając w wykrywacza metalu, sprawdź, czy w wybranej przez Ciebie lokalizacji nie przebiegają żadne rury. Korzystając z ilustracji, upewnij się, że pod płytą gipsową pozostaje dostateczna ilość miejsca, aby zaciski mogły się w pełni odchylić. Unikaj umiejscawiania głośników w przestrzeni, w której znajdują się kanały o cienkich ściankach, gdyż może to powodować brzęczenie podczas pracy głośników. Głośniki zostały zaprojektowane tak, aby działały w satysfakcjonujący sposób, w szerokiej gamie możliwych objętości komór. Optymalną wielkością jest 20 litrów, więc upewnij się, że komora, w której ma pracować głośnik nie jest zbyttno ograniczona poprzez stelaż mocujący płytę gipsową. Jest to szczególnie istotne, gdy głośnik instalowany jest w poziomym położeniu, dla obsługi kanału centralnego. Aby móc umieścić go w takiej pozycji, część pionowej szyny nośnej płyty musi zostać wtedy usunięta, co powoduje konieczność zastosowania dwóch poziomych odcinków stelażu dla utrzymania stabilności konstrukcji ściany.

W przypadku ścian litych, zadbaj o to, aby przestrzeń robocza głośnika w ścianie, była większa niż zewnętrzny obrys ramki głośnika. W przeciwnym razie, otwieranie niskich częstotliwości będzie osłabione. Głośniki zostały zestrojone w taki sposób, aby były montowane pośrodku ich przestrzeni roboczej. Umiejscowienie w pobliżu połączenia ściany i sufitu, może powodować nadmierny wzrost reprodukcji basu, a w wyniku tego dudniące brzmienie. Postaraj się umieścić głośnik przynajmniej 0,5 metra od krawędzi pomiędzy ścianą a sufitem. Kolejne rozdziały zawierają wskazówki dotyczące optymalnego pozycjonowania głośników. Może być ono jednak modyfikowane w zależności od wymogów, jakie stawia konkretne wnętrza.

UWAGA: Głośniki wytwarzają statyczne pole magnetyczne. Z tego też powodu nie mogą być umieszczane w odległości mniejszej niż 0,5 metra od urządzeń, na których pracę może wpływać takie pole (np. telewizory z kineskopem CRT, komputery).

Głośniki przednie w systemach audio i kina domowego

Najlepszą scenę dźwiękową w systemie 2-kanałowym, można osiągnąć umieszczając głośniki w ścianie, w pozycji pionowej, z przetwornikiem wysokotonowym umieszczonym na poziomie uszu, i kątem od 40° do 60° w stosunku do punktu odsłuchu. (rysunek 1)

W przypadku wielokanałowych systemów kina domowego, lewy i prawy głośnik przedni powinien być umieszczony w odległości ok. 0,5 metra od brzegów ekranu. Obydwa te głośniki oraz głośnik centralny, powinny być umieszczone tak blisko środka wysokości ekranu jak to tylko możliwe. W przypadku głośnika

centralnego, z powodów estetycznych preferowana jest zwykle pozioma orientacja. Może on być zamontowany pod lub nad ekranem, w zależności od tego, w którym położeniu będzie się on znajdował bliżej poziomu uszu. (rysunek 2)

Głośniki efektowe

Głośniki te powinny być umiejscowione w taki sposób, aby ich przetworniki wysokotonowe znajdowały się ok. 60 cm ponad poziomem uszu słuchacza.

System 5.1

Kąt poziomy, zawarty pomiędzy głośnikami efektywnymi, miejscem odsłuchu a środkiem ekranu powinien wynosić ok. 120°. (rysunek 3)

System 6.1

Umieść dwa głośniki po bokach, w jednej linii ze środkiem miejsca odsłuchu, oraz jeden centralnie za słuchaczami. (rysunek 4)

System 7.1

Umieść dwa głośniki po bokach, w jednej linii ze środkiem miejsca odsłuchu, oraz kolejne dwa centralnie za słuchaczami, pod kątem 40°. (rysunek 5)

PRZYGOTOWANIE MIEJSCA MONTAŻU

Wybór przewodu

Nadmierna rezystancja przewodu głośnikowego powoduje utratę mocy i różnicowanie charakterystyki częstotliwościowej głośnika. Zawsze staraj się, aby rezystancja kabla była tak niska jak to tylko możliwe. Preferowana wartość to 0,5 omha w przypadku „normalnych” instalacji oraz 0,2 omha dla uzyskania maksymalnego poziomu jakościowego. Korzystając z tabeli rysunku 11, oblicz minimalną, wymaganą długość przewodu.

Montaż w istniejącej konstrukcji ściany gipsowo-kartonowej

Ustaw szablon w miejscu pożądanego umiejscowienia głośnika. Dla ułatwienia właściwego wyrównania, szablon ma naniesione zarówno pionowe jak i poziome linie środkujące.

Wyruszyć linię wokół zewnętrznej krawędzi szablonu, a następnie precyzyjnie wytnij płytę, prowadząc ostrze po wewnętrznej stronie narysowanej linii.

Abypoprawić mechaniczną spójność konstrukcji ściany oraz zredukować prawdopodobieństwo występowania brzdęczenia, w pobliżu miejsca zamocowania głośnika, w punktach stychnych tyłu płyty gipsowej ze stelażem nośnym, zalecamy zastosowanie kleju do drewna lub plastycznej masy.

Poprowadź przewód do komory, w której będzie pracował głośnik w taki sposób, aby można go było wygodnie podłączyć. Jednakowoż nadmiar kabla nie jest wskazany, gdyż stykając się z konstrukcją ściany, może on powodować brzęczenie.

Nowo wznoszona ściana gipsowo-kartonowa

Głośnik może być zainstalowany po skończeniu budowania ściany, w analogiczny sposób, jak ma to miejsce w przypadku montażu w już istniejącej konstrukcji. Łatwiej jest jednak pozycjonować głośnik i wycinać otwór, jeśli przed zamocowaniem płyty zastosowany zostanie opcjonalny zestaw montażowy PMK. Za pomocą zszywek lub gwóźdź, przymocuj zestaw montażowy PMK do stelaża, jak opisano to w jego instrukcji. Poprowadź przewód i przymocuj go do punktu zamocowania PMK. Dostosuj długość przewodu tak, aby móc wygodnie podłączyć głośnik, pamiętaj jednak, że jego nadmierna długość może powodować brzęczenie. Końcowy rezultat uzależniony jest od tego, na ile dobrze płyta przymocowana jest do stelaża, dlatego też zalecamy, aby w pobliżu głośnika dodatkowo przykręcić panele do stelaża lub zastosować klej. Jeśli płyta zostanie zamontowana, wewnętrzna krawędź PMK służy jako szablon do wycięcia otworu. Jeśli niezbędna jest dodatkowa izolacja akustyczna w stosunku do sąsiadujących pomieszczeń, lub, gdy wymagana jest pewna forma zabezpieczenia przed rozprzestrzenieniem się ognia, zastosuj opcjonalną, tylną obudowę zamiast zestawu montażowego PMK. W takim przypadku postępuj zgodnie ze wskazówkami zawartymi w instrukcji dołączonej do tylnej obudowy. Gdy mocujesz płytę gipsową, użyj masy plastycznej na styku tylnej obudowy głośnika i płyty, aby uniknąć powstawania brzęczenia. Zaznacz obrys lub wytnij otwór na głośnik, używając krawędzi tylnej obudowy jako szablonu. W zależności od rozmiaru użytego narzędzia, może wystąpić konieczność dodatkowego usunięcia zaokrągleń w narożnikach wyciętego otworu.

Lita konstrukcja ściany

Aby uniknąć degradacji jakości otwarzania basu, głośnik wymaga komory o objętości nie mniejszej niż 20 litrów. Oznacza to, że w przypadku standardowej ściany o grubości 10 cm, komora, w której pracuje głośnik musi mieć powierzchnię wykraczającą rozmiarem poza krawędzie ramki. Możliwe jest uzyskanie takiej objętości poprzez zastosowanie nadproża, przykrycie otworu płytą gipsowo-kartonową i zamocowanie głośnika w analogiczny sposób jak ma to miejsce przypadku istniejącej konstrukcji gipsowo-kartonowej. (rysunek 6) Tylna obudowa głośnika ma w takim przypadku dodatkowe znaczenie, gdyż definiuje minimalną przestrzeń wymaganą dla prawidłowej pracy przetwornika.

Podczas montażu i prowadzenia przewodu, postępuj zgodnie ze wskazówkami zawartymi w instrukcji dołączonej do tylnej obudowy głośnika. Jeśli stosujesz wykończenie tynkiem mokrym, najpierw pomaluj warstwę taśmy klejącej na tyle obudowy, aby uniknąć odłączania się od niej tynku podczas procesu schnięcia, co mogłoby

powodować powstawanie brzęczenia podczas pracy głośnika. Jeżeli wykorzystujesz płyty gipsowo-kartonowe, przyklej je do powierzchni tylnej obudowy głośnika, używając masy plastycznej. Wytnij otwór na głośnik, używając krawędzi tylnej obudowy jako szablonu. W zależności od rozmiaru użytego narzędzia, może wystąpić konieczność dodatkowego usunięcia zaokrągleń w narożnikach wyciętego otworu. W żadnym przypadku nie zalecamy użycia cementu ani zaprawy murarskiej do mocowania tylnej obudowy głośnika. Brzęczenie można najskuteczniej wyeliminować poprzez zastosowanie masy plastycznej i klinów. (rysunek 7)

Wygłuszenie komory głośnika

Wypełnij komorę w ścianie lub tylną obudowę głośnika (ale nie bezpośrednio za głośnikiem) włóknem szklanym lub matą z waty mineralnej. Gęstość upakowania materiału gładzącego powinna być taka, aby nie występowało jego odpadanie lub zwisanie. W przypadku komory umieszczonej w otwartej przestrzeni ściany, zastosuj wygłuszenie przynajmniej na przestrzeni 30 cm poniżej i powyżej głośnika. (rysunek 8)

WAŻNE: Upewnij się, że materiały gładzące, których używasz spełniają lokalne standardy niepalności.

Zamocowanie głośnika

Wszelkie podłączenia mogą być wykonywane jedynie, gdy urządzenia są wyłączone.

Przy zdjętej maskownicy i panelu z głośnikami, ustaw ramkę ścienną w miejscu komory i przykręć 10 wkrętami widocznymi od przodu. (rysunek 9) Wchwytaj te automatycznie odchyłają uchwyty znajdujące się za pod powierzchnią ściany. Przed końcowym dokręceniem wkrętów, upewnij się, że wszystkie z nich znajdują się na swoich miejscach. Ramka posiada pewną elastyczność, aby zniwelować ewentualną nierówność płaszczyzny montażowej, jednak nie dokręcaj wkrętów zbyt silnie, gdyż deformacja ramki może powodować problemy z założeniem maskownicy.

Podłącz przewód głośnikowy zwracając uwagę na polaryzację.

Gdy ramka jest już właściwie zamocowana, przykręć panel z głośnikami i zwrotnicą, używając 8 dołączonych wkrętów (rysunek 10) Przyłóż maskownicę do ramki i sprawdź, czy daje się ona założyć bez problemu. Jeśli pasowanie jest zbyt ciasne, zdejmij panel z głośnikami i sprawdź czy ramka nie została zdeformowana zbyt silnym dokręceniem.

Indywidualne dostosowanie

Ramka głośnika wykonana została z polycjanowego do pokrycia farbą, białego, półmatowego materiału, który może zostać pomalowany, aby dostosować jego wygląd do koloru ściany. Nie maluj panelu pod maskownicą ani głośników. Unikaj dotykania

głośników, gdyż może to doprowadzić do ich uszkodzenia.

Przed przystąpieniem do pomalowania maskownicy, wyjmij od tyłu jej tekstylną część, gdyż w przeciwnym razie zablokowane zostaną akustyczne pory, i dźwięk będzie zniekształcony. Jeśli po założeniu tekstylnej części maskownicy nie pozostaje ona na swoim miejscu, rozpyl na tył ramki maskownicy (NIE na maskownicę) cienką warstwę klejącego środka 3M SprayMount lub podobnego.

日本語

保証期間

お客様各位

B&W製品をお買い上げいただき、ありがとうございます。

当社製品は高い品質水準で設計・製造されており、万が一製品に不備のある場合は、B&W公認代理店のあるいかなる国においても、B&W Loudspeakersおよびその各国代理店が無料で修理(例外もあり)および部品交換をいたします。

この保証期間は、購入の日から5年間またはアンペアの故障、または付属のスピーカーを含む電子機器の故障は2年間有効となります。

保証条件:

- 保証範囲は、製品修理に限定されます。交通費、その他の費用、また製品の取り外し、移動、設置に起因する故障の危険は当保証の対象外となっています。
- 当保証は、製品購入時に不良部品および製造上の欠陥があった場合のみに適用されます。以下の項目は適用外となりますのでご了承ください。
 - 不適切な設置、接続、包装によって生じた損傷。
 - 取扱説明書に記載された正しい使用方法以外の使い方、本人の過失、改造、またB&W製またはその認定する以外の部品を使用したことによって生じた損傷。
 - 不良または不適切な付属器具によって生じた損傷。
 - 事故、雷、水害、火災、熱、戦争、争乱、またB&Wおよびその公認代理店の常駐的管理の範囲を超えた不可抗力による損傷。
 - 製造番号が修正、削除、取り外し、また故意に判読不明にされた製品。
 - 認定外の者による修理、改造が行われた場合。
- 当保証は、各国/地方行政の定める代理店または各国代理店に課された義務を補足するものであり、消費者としての法定権利には影響しません。

保証期間中の修理について

修理を希望されるかたは以下の手順にて手続きをしてください。

- 製品を購入された国で使用されているかたは購入された販売店または公認代理店に連絡してください。
- 製品を購入された国以外で使用している場合はイギリスのB&Wに連絡して頂くか、我々のwebサイトを訪ねてください。あなたの地域の連絡先を知ることができます。

保証期間中の無料修理を受けるには保証書に販売店の捺印および購入日の記入がされていることが必要です。

取扱説明書

はじめに

Bowers and Wilkins CWM LCR8 スピーカーをお買い上げいただきありがとうございます。

1966年の創設以来一貫してこだわってきたB&Wの哲学は音の完全な再生を追求することです。我が社の創設者であるJohn Bowersの考えに基づき、この追求には、オーディオ技術と革新への大

きな投資だけでなく、音楽と映画の理解を続けることによって技術の効果を最大限に引き出す作業が必要です。

CWM LCR8はオーディオマニア・クオリティのウォールマウント式スピーカーで、垂直方向でも水平方向にも設置することができます。センターチャンネルなら水平方向に置く方が見た目にも美しくなります。

しかし、どれほど優れたスピーカーでも適切に設置しなければ最大の性能を発揮することはできません。この説明書をよくお読みいただいてシステムのパフォーマンスを最適なものにしてください。

B&Wは、世界60ヶ国以上に販売会社のネットワークを有しており、お買い求めの販売店では解決できない問題に対応しております。

中身の確認

外側の段ボール箱には以下が含まれています。

梱包1:

壁用フレーム
グリル
取り付け用テンプレート
塗装用マスク

梱包2:

ドライブユニットとクロスオーバー付きパツフル固定用ネジ

設置位置の選択

他の設置物(配管、空調装置、電源ケーブルなど)に接触しないことを確認してください。既存のドライ壁構造では、スタッドツールを用いて正確に構造を把握し、配管検出器で設置予定位置をスキヤンします。スピーカーの断面図を見て、石膏ボード(シートロック)の後ろにクラブが完全に飛び出るだけの隙間があることを確認してください。スピーカーは軽いダクトと同じ範囲に設置しないでください。不要な音が出る可能性があります。このスピーカーは広い空間内で十分に機能するよう設計されています。理想的には20リットル(0.7立方フィート)必要です。この大きさを文字スタッドで制限し過ぎないようにしてください。これは、センターチャンネルとしてスピーカーを水平方向に設置する際は特に重要です。スピーカーを水平に設置するには垂直スタッドの一部を取り除かなければならず、壁の強度と統合性を維持するために2つの十字スタッドを使用しなければなりません。

硬質壁構造の場合、壁内部にはスピーカー・フレームより大きな目の空洞を作れるようにしてください。そうしないと低音特性が損なわれます。スピーカーは半空間取り付け(天井やソフィットと同一平面)にバランスをとっています。壁/天井の接合点やコーナーに設置すると低音が強くなりすぎて低音の響きすぎた音になります。スピーカーは壁/天井の端から少なくとも0.5m(20インチ)は離してください。次のセクションでは最適な設置位置について説明します。これは国内規制に従って変更される場合があります。

注意: スピーカーからは漏洩境界が発生しますので、この境界の影響を受ける可能性がある機器の0.5m(20インチ)以内にスピーカーを設置しないでください(例: テレビやパソコンのブラウン管)。

オーディオ用またはホームシアター用のフロントスピーカー

2チャンネルで最高のイメージができるのはスピーカーを垂直方向に壁に取り付けた場合です。ツイーターはほぼ真の高さにし、リスニングポジションの中央から40~60度の角度に置きます(図1)。

マルチチャンネルのホームシアターでは左右のスピーカーを画面の端から約0.5m(20インチ)の所

に置きます。センタースピーカーはできるだけ画面中央の高さに合わせて設置します。一般的に、センタースピーカーは美的観点から水平方向に置きます。画面の上または下の、耳の高さに近い方に取り付けます(図2)。

サラウンドスピーカー

サラウンドスピーカーは、ツイーターが頭の高さから60cm(2フィート)以上に来るように設置します。

5.1チャンネル

リスニングポジション中央に対する水平角を画面中央から約120度になります(図3)。

6.1チャンネル

2つのスピーカーをリスニング領域中央の線の上の両サイドに置きます。1つはリスナーの真後ろに置きます(図4)。

7.1チャンネル

2つのスピーカーをリスニング領域中央の線の上の両サイドに置きます。2つはリスナーの後ろに約40度の角度で置きます(図5)。

設置場所の準備

ケーブルの選択

スピーカーケーブルの抵抗が大きすぎると電力が浪費され、スピーカーの周波数レスポンスが変わります。できればループ(+、-合計)の抵抗を0.5オーム未満に抑えてできる限り抵抗を小さくします。0.2オーム以下で最良の結果が得られます。図11の表を用いて必要なケーブルの最小長を計算してください。

既存のドライ壁構造(改装)

スピーカーを設置したい場所にテンプレートを設置します。配置しやすいようにテンプレートには垂直と水平のセンターラインが付いています。

テンプレートの外縁をなぞってラインのちょうど内側を切ります。

壁の構造的統合性を良くし、不要な音を抑えるために、石膏ボードの後ろとスピーカーの近くにあるスタッドとの接合部分に沿って木工バンドかマステックを少し塗ることをお奨めします。

開口部にケーブルを這わせません。適切にスピーカーに接続できるくらいの長さにしてください。あまり長くなりすぎないようにしてください。長すぎると壁構造に触れて不要な音が出る場合があります。

新設のドライ壁構造

壁が完成したら、改装の場合と同じようにスピーカーを設置できますが、石膏ボード(シートロック)を取り付ける前にオプションのプレマウントキット(PMK)を用いれば位置決めと穴開けもさらに簡単にできます。キットの説明に従ってPMKをスタッドに留めるかまたはネジで打ち付けてください。ケーブルを這わせてPMKの固定ポイントに固定してください。適切にスピーカーに接続できるくらいの長さにしてください。あまり長くなりすぎないようにしてください。ケーブルが長すぎると壁構造に触れて不要な音が出る場合があります。石膏ボードをどれくらい厚くスタッドに取り付けられるかによって結果が変わってきます。スピーカー付近にあるスタッドにパネルを貼り付けるか、ネジ止めるか、あるいはクギで打ち付けるようお奨めします。ボードを取り付けると、PMKの内側のフランジが、穴あけ機やノコギリで穴をあける際の目安となります。隣接する部屋に音が漏れないようにしなければならぬ場合、あるいは火災時に火が広がらないように何らかの防護が必要な場合はPMKの代わりオプションのバックボックスを使用してください。取り付けと

ケーブルの設置についてはバックボックスの説明書を参照してください。石膏ボードを取り付ける際はシートとバックボックスの間でマスチックを使用し、不要な音が出ないようにしてください。バックボックス・フランジを目安にしてスピーカー埋め込み部を開けるかノコギリで切ります。穴あけ機の直径によってはノコギリで角を作らなければならない場合があります。

硬質壁構造

低音特性を落とさないようにするためにはスピーカーには最低20リットル(0.7立方フィート)の空洞が必要となります。標準の10cm(4インチ)厚の壁では、空洞はスピーカー・フレームより大きくなります。横架材を使ってこの空洞を作り、石膏ボードで穴を覆って、上記のドライ壁での改装の場合と同じようにスピーカーを取り付けることができます(図6)。しかし、必要最小限の大きさを決めるにはバックボックスを使うと便利です。

取り付けとケーブルの設置についてはバックボックスの説明書に従って行ってください。湿式石膏仕上げを行う場合は、空洞を塞ぐ前にバックボックスにPVA接着剤を薄く塗って、乾燥の際に石膏が縮んでバックボックスから剥がれ不要な音が出ないようにします。石膏ボード(シートロック)を使用する場合はフレキシブル・マスチックを使ってバックボックスの表面にシートを貼り付けます。フランジを目安にして穴を開けます。穴あけ機の直径によってはノコギリで角を作らなければならない場合があります。いずれの場合でも、バックボックスをレンガやブロックにセメントやモルタルで固定することはお奨めしません。不要な音が出ないようにするにはフレキシブル・マスチックとウェッジが最も有効です(図7)。

空洞を埋める

壁の空洞またはバックボックスには裏地のないファイバーグラスまたは鉱質綿を詰めます。スピーカーの真後ろには入れないでください。密度は、時間と共に資材が落下したり下がったりしない程度にしてください。開いた壁の空洞には、最低限スピーカーの上下30cm(1フィート)まで詰めてください(図8)。

重要: 資材は地域の防火安全規則に合ったものを使用してください。

スピーカーの取り付け

接続を行う場合は機器のスイッチを切ってから行ってください。

グリルとスピーカーバツフルを取り外す場合は、壁フレームを開口部に置き、前面から見える10個のネジを留めます(図9)。これらのネジは取り付け面の後部にあるクランプ・ドッグを自動的に振り出します。ネジを完全に締める前に適切な位置にあることを確認してください。取り付け表面を平らにするためフレームを少し曲げることはできますが、ネジを締めすぎないでください。スピーカー・フレームが変形したり、グリルが取り付け難くなります。

極性が正しいことを確認しながらケーブルを接続します。

壁フレームを固定したら、付属の8個のネジでドライユニットとクロスオーバーの付いたバツフルを固定します(図10)。グリルはしっかりと取り付けなくても簡単にスライドするかどうか確認してください。堅すぎる場合はバツフルを取り外し壁フレームのクランプを締めすぎでないかあるいは歪んでいないか確認してください。

カスタマイズ

フレームは塗装が可能なホワイトのセミマット仕上げになっています。ご自分の部屋の装飾に合わせてもう一度仕上げを行うことができます。再仕

上げの前にはグリルを取り外して塗装用マスクを取り付けてください。グリルの後ろにあるドライユニットやバツフルの部分は再仕上げしないでください。ドライユニットには触れないようにしてください。損傷する可能性があります。

グリルを塗装する前に背部の布を剥がしてください。そうしないと繊維の穴が詰まって音が悪くなります。布を再度取り付けの際に適切に取り付けられない場合は、グリルメッシュの背部(布ではありません)に3Mスプレー接着剤あるいはそれに類似の接着剤を吹き付けて軽くコーティングします。

中文

有限担保

尊敬的顾客

欢迎选购 B&W 产品。

本产品的设计和制造满足最高的质量标准。但是, 如果本产品确实出现了问题, 不论在任何由正式的 B&W 销售商服务的国家, B & W Loudspeakers 和它的国内销售商都将保证提供免费部件更换。

该有限保用的有效期为自购买日起 5 年, 或对包括扬声器在内的电子设备有效期为 2 年。

条款

- 1 该保用只限于设备的修理。它不包括产品的运输和任何其它费用, 也不保用何由于产品的搬动、运输和安装引起的风险。
- 2 该保用只对原所有者有效。不可转让。
- 3 该保用仅适用于由在购买时已存在的材料和/或做工缺陷所引起的故障, 它不适用于:
 - a. 由于不正确的安装、连接和包装造成的损坏;
 - b. 由于没有按照用户说明书里说明的正确使用方法使用、粗心大意、改装、或使用未经 B&W 认可的部件而造成的损坏;
 - c. 由于不完善的或不适合的辅助设备造成的损坏;
 - d. 由于事故、闪电、水、火、热、战争、公共骚乱或任何其它在 B&W 和它指定的销售商们的合理控制之外的原因造成的损坏;
 - e. 机身编号被更改、擦涂、去除或使无法辨认的产品;
 - f. 如果经非指定人员修理或改装过;
- 4 该保用是对销售商或国内批发商的任何国家/地区的法律责任的补充, 它不影响你作为顾客的法定权益。

如何要求保用维修

如果需要服务, 请按下列步骤进行:

- 1 如果设备是在购买的国家使用, 你应当与所购买该设备的 B&W 许可销售商联系。
- 2 如果设备是在购买的国家以外使用, 你应当与居住国的 B&W 国内销售商联系, 它们会告诉你那里可以修理设备。你可以打电话给英国的 B&W 或浏览我们的网站来获取你们当地销售商的联系详情。

为使你的保用生效, 你需要在购买的当天填好这个保用手册, 并由销售商盖章。或者, 你需要有发票正本或具有所有权和购买日期的其它凭证。

用户说明书

概述

感谢阁下选用 B&W CWM LCR8 扬声器。

自从 1966 年公司成立以来，B&W 公司的延续理念始终是追求完美重播。受到公司创始人、已故的约翰·鲍尔斯 (John Bowers) 的鼓舞，这种完美追求不但继承了在音响技术上的高瞻远瞩，同时还继承了对音乐和电影持之以恒的欣赏力，以确保发挥技术的最佳效果。

CWM LCR8 是一款发烧级高品质壁式扬声器，既可以用于垂直定位，也可以用于水平方向定位。从美学上看，其更加适用于中央声道。

然而，不管自身多么优良的扬声器，只有当被安装在最佳位置，它们才会发挥出最佳性能。请仔细阅读完本手册。它会帮助阁下让阁下的音响系统发挥最佳的性能。

B&W 分销世界各地 60 多个国家，有一个完善的经销商网络。如果阁下的销售商不能解决阁下遇到的问题，通过这个网络，可以帮助阁下解决。

检查包装内容

外部盒子含有：

包装 1 中含有：

墙壁框架
带织物面部的面板
安装模板
油漆档罩

包装 2 中含有：

带驱动单元和分音器的障板
固定螺钉

选择摆放

检查一下，是否有其他装置冲突（如管道工程、空气调节装置，或者电源线，等等）。在现有的干饰面内墙结构中，使用一个柱头螺旋探测工具，准确地标示出结构，然后用一个管式探测器检查安装位置是否存在冲突物。

参阅扬声器制图章节，确保石膏板（石膏胶纸夹板）后面有足够的空隙，使夹子可以完全的摆动出来。

不要在同一空腔上安装多个扬声器，因为薄薄的导管会引起咔哒咔哒的响声。

此扬声器的设计，在空腔体积较大的变化范围内，均可以任意地操作，最理想的大小是在 20 升 (0.7 立方英尺) 以上，因此，确保空腔大小不要过于被交叉饰钮限制。当将扬声器安装在一个水平方向，用于中央声道时，这一点特别重要。为了水平安装扬声器，要去掉垂直螺钉的一部分，这就需要使两个交叉饰钮，来保持墙壁的强度和完整性。

在坚固的墙壁结构中，要在墙壁上凿个洞，一直延伸到外部，扬声器框架的边界处，否则就会影像到低音效果。安装一半空间的扬声器（即：在天花

板或者下端背面齐平），要保持平衡。摆放在墙和天花板的交叉处或者摆放在一个角上，可能会引起太多的低音，听起来就像轰炸的声音。保持扬声器距离墙壁或者天花板边缘至少 0.5 米 (20 英寸)。

以下章节会指导阁下将扬声器摆放在最佳位置，但是根据具体的室内限制条件，摆放可以有所变动。

警告：扬声器会产生静电磁场。因此，扬声器不可安装在会受此磁场影响的设备的 0.5 米 (20 英寸) 范围之内（例如：电视机和个人电脑中的阴极射线管）。

音响或者家庭影院的前置扬声器

要获得 2 声道最好的声像，要将扬声器水平安装在墙上，高音扩音器的位置大概在耳的高度，并且在收听位置的正中央成 40—60 度角。（图 1）

对于多声道的家庭影院，左和右声道相对于屏幕的边缘大约 0.5 米 (20 英寸)，中央的扬声器安装要尽可能地接近屏幕中央高度。对于中央扬声器，一般来说，水平方向摆放在美学上是最好的。阁下要在屏幕以上或者以下选择扬声器安装位置，以更接近耳朵高度者为准。（图 2）

环绕扬声器

扬声器要和高音一起摆放在头以上 60 厘米 (2 英尺) 或者更高的位置。

5.1 声道

收听位置中心的水平角距屏幕中央大约是 120 度。（图 3）

6.1 声道

根据收听区域的中心位置，将两个扬声器摆放在两边，一个摆放在听众后面的中央。（图 4）

7.1 声道

根据收听区域的中心位置，将两个扬声器摆放在两边，两个同时摆放在听众后面，大约成 40 度角。（图 5）

选定位置

电线选择

扬声器电线的额外电阻耗电，同时也改变了扬声器的频率反应。尽可能保持低的电阻，一般使用 0.5 欧姆以下的回路电阻，但如在 0.2 欧姆以下，更可达最佳的效果。使用图 11 中的表格，计算出电线所需的最小电阻规格。

现有干饰面内墙结构（样式翻新）

将模板摆放在自己喜欢的扬声器安装位置。模板要标上垂直和水平的中心线，以便定位调整。

在模板的外部边缘周围画上痕迹，然后齐整地沿着线剪下。

为了提高天花板或者墙壁的机械完整性，减少喀喀喀响声的发生，我们建议阁下在扬声器的附近，沿着石膏板的背部和螺钉的接合处涂上木胶或者木粘剂。

将电线穿过缝隙，留出足够的长度，以便轻松接到扬声器上，但也不要太长，过长可能也会引起结构发出响声。

全新干饰面内墙结构

天花板或者墙壁经过同样风格的翻新之后，就可以安装扬声器了，但是，如果阁下在安装石膏板（石膏胶纸夹板）之前，就已经使用了另购的 PMK 预安装工具的话，那么定位就会变得更容易。

参照说明书操作方法，用工具将 PMK 牢牢地钉在螺栓上。穿过电线，并确保电线牢牢地固定在 PMK 的固定点上。留出足够的长度，以便轻松接到扬声器上，但也不要太长，过长可能也会引起结构发出响声。

石膏板和螺栓连接的好环会直接影像到安装的最后效果，因此我们建议，在扬声器附近，用胶水和钉子将面板固定好。

板子安装好之后，PMK 的内部边缘就可以用来引导挖孔或者锯孔。

如果要求与隔壁房间隔音或者需要一些防火保护装置，那么阁下可以在 PMK 安装的地方使用备用的低矮圆筒形箱体，参照说明书，安装好低矮圆筒形箱体，并将电线接好。

在安装石膏板的时候，请在夹板和低矮圆筒形箱体之间使用粘剂，以避免发出喀喀响声。沿着低矮圆筒形箱体的边缘，挖或者锯好安装扬声器的孔洞。由于挖掘机的直径，阁下可能需要用锯子将角锯成方形。

实心墙结构

为了不影响到低音效果，安装扬声器的孔洞至少要 20 升 (0.7 立方英尺)。这也就是，在一个标准的小厘米 (4 英寸) 厚的墙壁上，孔洞大小要延伸至扬声器结构边缘之外。很简单，只要使用一根过梁，就可以做好这个孔洞，然后让石膏板盖住这个孔，按照上面所述的方法在干饰面内墙上安装扬声器。（图 6）

然而，低矮圆筒形背箱体给阁下提供一个很有用的方法，确定需要的最小孔洞大小。

参照说明书，安装低矮圆筒形背箱体，并接好电线。如果使用一种湿石膏装饰方法，在涂石膏避免喀喀响声之前，首先涂一层聚乙烯醇，粘在低矮圆筒形箱体上，结果，当湿石膏干了之后，就会从低矮圆筒形箱体上收缩。

如果阁下要使用石膏板（石膏胶纸夹板），那么请使用一种粘剂将夹板粘在低矮圆筒形背箱体的表面上。沿着边缘挖出孔洞。由于挖掘机的直径，阁下可能需要用锯子将角锯成方形。

无论在什么情况下，我们都不主张使用水泥或者灰泥来将低矮圆筒形箱体固定在砖块上或者是砖块墙上。使用柔软的粘剂和楔是避免喀喀响声的最好方法。（图 7）

孔洞阻尼

用无衬里的纤维玻璃或者矿棉席将墙上的孔洞或者低矮圆桶形背箱体全部填满，但不是扬声器后面的直接空间。组装密度要足以轻松保护材料在使用一段时间后不会掉下或者下垂。对于敞开的墙壁孔洞，充满范围至少在扬声器的上部或者下部 30 厘米 (1 英尺) 距离。(图 8)

特别注意：确保阁下所使用的材料都符合当地火警和安全守则。

安装扬声器

在连接所有的设备过程中，都要保持断电状态。

将面网撤离后，将扬声器摆放在孔洞中，并且拧紧在前面(图 9)可以看得到的 10 个螺丝钉。这些螺丝钉会自动回转出定位在安装表面后面的夹销。在完全拧紧螺丝钉之前，一定要确保这些夹销定位在适当的位置。框架的可弯曲性可以使它抚平安装表面上不平整的地方，但是，也不要过于拧紧螺丝钉，因为这样可能会导致扬声器框架的过度变形，最后，面网就会很难安装上去了。

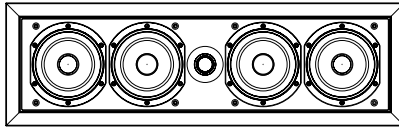
连接电线时，一定要观察电线的正确极性。

墙壁框架固定好后，和驱动设备以及分音器一起用 8 个配备的螺丝钉固定在障板中。(图 10) 检查在面网没有被完全安装好的情况下，会轻松地滑到适当的位置。如果太紧了，那么就撤掉障板，然后检查墙壁框架夹子是否拧的过紧或者变形。

定制

框架和面网具有一个可绘画的白色部分糙面装修，如果需要再次装修以符合阁下自己的装饰格调，这就随时可以派上用场。在重新装修之前，请先撤掉面网。千万不要重新装饰面网后面的驱动设备或者障板区域。使用配备的油漆面罩。不要接触到驱动设备，否则就会导致设备损坏。

在给面网上漆之前，先将纤维棉布从背部取下来，否则就会堵住上面的细孔，那样就会削弱声音。如果在将棉布放回原处的时候，没有放在正确的位置，那么就在面网网孔(不是棉布)的背部喷射 3M SprayMount 喷粘剂或者类似物品。



CWM LCR8

Technical features	Very high rigidity glass-filled resin baffle Aluminium cone bass drivers Woven Kevlar® bass/midrange drivers Nautilus™ tube-loaded tweeter
Description	2½-way in-wall speaker system
Drive units	1x ø25mm (1 in) tube-loaded aluminium dome high-frequency 2x ø130mm (5 in) woven Kevlar® cone bass/midrange 2x ø130mm (5 in) aluminium cone bass
Frequency range	-6dB at 35Hz and 50kHz
Frequency response	45Hz-22kHz ±3dB on reference axis
Sensitivity	91dB spl (2.83V, 1m)
Nominal impedance	8Ω (minimum 4.5Ω)
Crossover frequency	3.5kHz
Recommended amplifier power	150W into 8Ω on unclipped programme
Frame size	708mm (27.9 in) x 219mm (8.6 in)
Cut-out size	668mm(26.3 in) x 180mm(7.1 in)
Min depth req	89.2mm (3.5 in) behind mounting surface
Net weight	8.0kg (17.6 lb)

B&W Bowers & Wilkins

B&W Loudspeakers Ltd
Dale Road
Worthing West Sussex
BN11 2BH England

T +44 (0) 1903 221800
F +44 (0) 1903 221801
info@bwspeakers.com
www.bwspeakers.com

UK Sales Enquiries and Service
T +44 1903 221 500
E uksales@bwspeakers.com

B&W Loudspeakers of America
T +1 978 664 2870
E marketing@bwaudio.com

B&W Loudspeakers (Asia) Ltd
T +852 2 869 9916
E showroom@bwspeakerasia.com.hk

Copyright © B&W Loudspeakers Ltd. E & OE
Printed in the UK.

Free Manuals Download Website

<http://myh66.com>

<http://usermanuals.us>

<http://www.somanuals.com>

<http://www.4manuals.cc>

<http://www.manual-lib.com>

<http://www.404manual.com>

<http://www.luxmanual.com>

<http://aubethermostatmanual.com>

Golf course search by state

<http://golfingnear.com>

Email search by domain

<http://emailbydomain.com>

Auto manuals search

<http://auto.somanuals.com>

TV manuals search

<http://tv.somanuals.com>