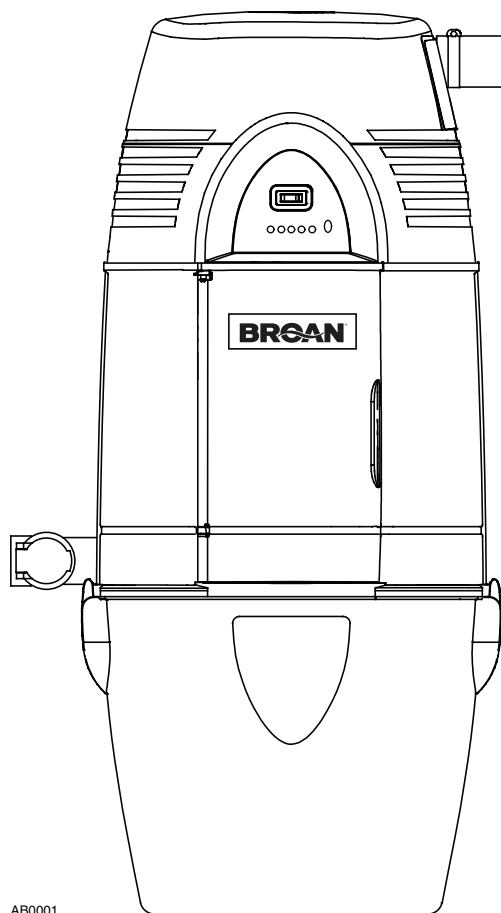


CENTRAL VACUUM POWER UNIT



AB0001

For Power Unit
Broan models VX3000C, VX6000C, VX12000C

HOMEOWNER'S OPERATING INSTRUCTIONS



7 72371 09314 0

30042323 rev. C

IMPORTANT SAFETY INSTRUCTIONS

**SAVE THESE INSTRUCTIONS
READ ALL INSTRUCTIONS BEFORE USING
THIS APPLIANCE**

 **FOR HOUSEHOLD USE ONLY.** 

When using an electrical appliance, basic precautions should always be followed, including the following:

WARNING

To reduce the risk of fire, electric shock, or injury:

- Do not use on wet surfaces or outdoors.
- Do not allow to be used as a toy. Close attention is necessary when used by or near children.
- Use only as described in this manual. Use only manufacturer's recommended attachments.

CAUTION

For all models, DO NOT REMOVE either of the TOP red cap plugs that are glued to the unit. Removing these glued plugs will damage the unit. Only remove and use the outlets covered by the green BOTTOM plugs.

- Do not put any object into openings. Do not use with any opening blocked; keep free of dust, lint, hair and anything that may reduce air flow.
- Keep hair, loose clothing, fingers and all parts of body away from openings and moving parts.
- Do not pick up anything that is burning or smoking, such as cigarettes, matches, or hot ashes.
- Do not use without filter in place.
- Do not use to blow leaves or debris.
- Do not vacuum liquids or fine powders (such as drywall dust).
- Do not put any object on the unit.
- Ensure air flows freely to both side intake vents and exhausts unobstructed from top outlet.
- Do not install the unit horizontally.
- Do not use the pail as a wash bucket.
- Do not use the pail as a stool.
- Turn off all controls before unplugging.
- Use extra care when cleaning on stairs.
- Avoid picking up sharp objects.

- Do not use to pick up flammable or combustible liquids such as gasoline or use in areas where they may be present.
- Do not use with damaged cord or plug. If appliance is not working as it should, if it has been dropped, damaged, left outdoors, or dropped into water, return it to a Service Center.
- Do not unplug the unit by pulling on cord. To unplug, grasp the plug, not the cord.
- Do not handle plug or appliance with wet hands.
- Connect to a properly grounded outlet only. See grounding instructions shown on page 6.
- Any servicing other than that recommended in this manual should be performed by an authorized service facility.
- We recommend that your unit be inspected by a specialized technician once a year.

OPERATION

The power unit is located away from the everyday living areas of your home – usually in the garage, basement, or utility room. Through a network of strong, lightweight tubing, the power unit connects to inlets strategically placed throughout your home. To clean, attach cleaning tools to the system's hose and insert the hose into an inlet. The system is turned on by a power switch on the hose. As you vacuum, dirt and dust is transported to the power unit where it remains in a debris pail until emptied.

WARNING

To avoid electric shock, never use hose and tools on a wet surface. To avoid fire hazard, do not use vacuum to pick up matches, fireplace ashes, or smoking material.

- This device has been evaluated by the appropriate listing agencies and is intended for household use only.

The system status indicator light(s) on the front of the power unit indicate that the power unit is ready for use. Under normal operation, the light(s) will be green. **(A red light on Broan models VX6000C or VX12000C indicates a need to empty pail. See next page for instructions.)**

When you are ready to clean, attach the wand and cleaning tool onto the end of the hose. Open the inlet cover and insert the end of the hose into the inlet.

For non-switched hoses, inserting the hose automatically turns on the power unit; removing the hose shuts off the power unit. Some hoses have switches which can be used to activate power unit.

NOTE: The inlet located on the power unit does not automatically work when the hose is inserted. To turn on the power unit inlet, use the rocker switch located on the side of the power unit.

Use the cleaning tools as you would for any other vacuum cleaner. Avoid picking up pine needles, popsicle sticks, and other similar objects. These kinds of objects may become lodged in the hose or tubing.

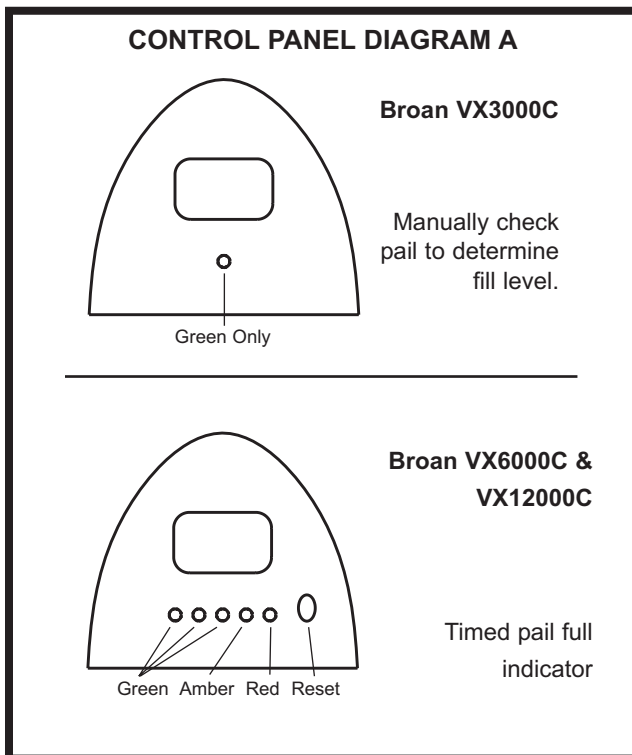
VACUUM POWER CONTROL

The wand ends of the deluxe hoses are equipped with a control ring to regulate suction. The control ring covers a "bleeder" hole. Open the hole to reduce the suction for cleaning draperies, small rugs, and other light fabrics. Some very thick, plush carpets with high density yarns also require reduced suction to make the nozzle easier to push. Be sure to close the control ring completely over the hole to produce the maximum power required for most other cleaning tasks.

WHEN TO EMPTY THE DEBRIS PAIL

Broan model VX3000C has a single indicator light that remains green. The level of pail fill for this model can be determined by either viewing through the window on the pail or releasing the carry handles and checking the level of debris in the pail.

Broan models VX6000C & VX12000C have the LED indicator that shows the status of the level of debris in the pail. The first three lights remain green as pail fills. The fourth light is amber and will come on to alert you that the pail is nearly full. When the fifth light turns red it is time to empty the pail (see CONTROL PANEL DIAGRAM A).



EMPTYING THE DEBRIS PAIL

Your power unit has a permanent filter that is self cleaning under normal conditions. The filter protects the motor and stops small dirt particles from escaping to the outside of the power unit. The filter cleans itself by moving up when the power unit starts, and dropping down when the unit is turned off. The filter can be removed by means of a pull-tab for cleaning if desired. Be sure to reinstall properly. Correct placement is critical to insure proper protection for the motor.

1. Release both carry handles on side of the unit by pulling out and then pushing up. (FIGURE 14). Holding the pail by the handles, lower it from unit (FIGURE 15).
2. Carry pail to trash receptacle and empty.
3. Reattach pail using handles.
4. Push *Reset* button on control panel. Light on control panel will change to green on Broan models VX6000C & VX12000C.



Utility valve (Circled in FIGURE 15), next to power unit, can be used to service area around where power unit is installed.

CLEANING THE INTERNAL FILTER

When emptying the debris pail, it is a good idea to also clear any dust and dirt that may have accumulated on the internal filter media. To do this, simply open the direct door, reach in and tap the top of the internal filter (FIGURE 16). This will release any loose debris into the pail. You may empty the pail again at this point but it is not necessary as any amounts of dirt and dust will be minimal. Close the door.



TROUBLESHOOTING GUIDE

Read before calling Service Center.

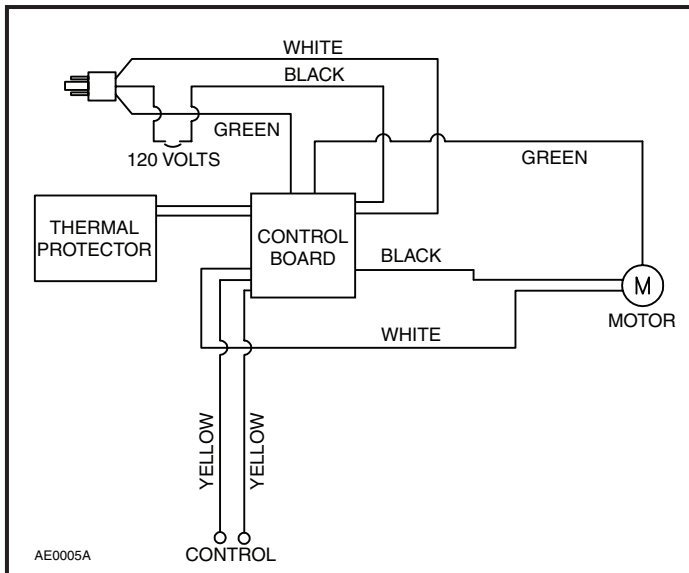
Trouble	Possible Cause	Possible Remedy
1. Loss or decrease of vacuum occurs.	1a. Debris pail is completely full.	1a. Empty debris pail as described on page 3.
	1b. Obstruction in the hose. A blockage in the hose can be determined by inserting the hose into any wall inlet and, while power unit is running, check each additional inlet for normal suction by holding the palm of your hand over the open inlet. If normal suction is felt at all other inlets, insert the hose into a second inlet. If the blockage still exists it is located in the hose. However, if the blockage does not occur when the hose is changed, the blockage is probably located in the tubing system leading to the original inlet.	1b. Insert handle end of hose into utility valve at power unit. Turn unit on. This will reverse normal air flow through the hose and dislodge any clogs.
	1c. Obstruction in the tubing system inside the walls.	1c. Insert hose end into any inlet with power unit running, place the palm of your hand over the opposite end of the hose. When you can feel the suction increase, hold your hand over the hose end for a few seconds and then quickly remove your hand. This procedure repeated several times should clear the obstruction. If the blockage is not cleared, contact your nearest Service Center.
	1d. Wall inlet cover not properly sealed.	1d. Check all wall inlet covers to be sure they are closed and sealed tightly.
2. Power unit does not start, or shuts off during normal operation with no LED showing red or illuminated.	1e. Exhaust tubing or vent clogged.	1e. Inspect and remove any blockages.
	2a. Defective inlet. Check other wall inlets.	2a. Replace defective wall inlet.
	2b. Thermoprotector has been activated OR there is a tripped circuit breaker on the unit.	2b. Turn unit off for 20 minutes then plug unit back in. If unit does not start, look for the tripped circuit breaker behind the unit, a white button has popped up, push it back to reset it. If circuit breaker trips again, unplug your unit and contact your local Service Center.
	2c. Blown fuse or tripped circuit breaker on house electrical panel.	2c. Replace fuse or reset circuit breaker on house electrical panel.
	2d. Defective hose.	2d. Replace hose as required.
	2e. Microprocessor lockup. <i>NOTE: This apply only to Broan VX6000C & VX12000C.</i>	2e. 1) Push <i>Reset</i> button while unit is engaged OR 2) Unplug unit completely for 60 seconds.
	2f. Low line voltage.	2f. Contact your local Service Center.
2g. Debris pail full sensing has been activated.	2g. Empty debris pail as described in page 3.	

TROUBLESHOOTING GUIDE (cont'd)

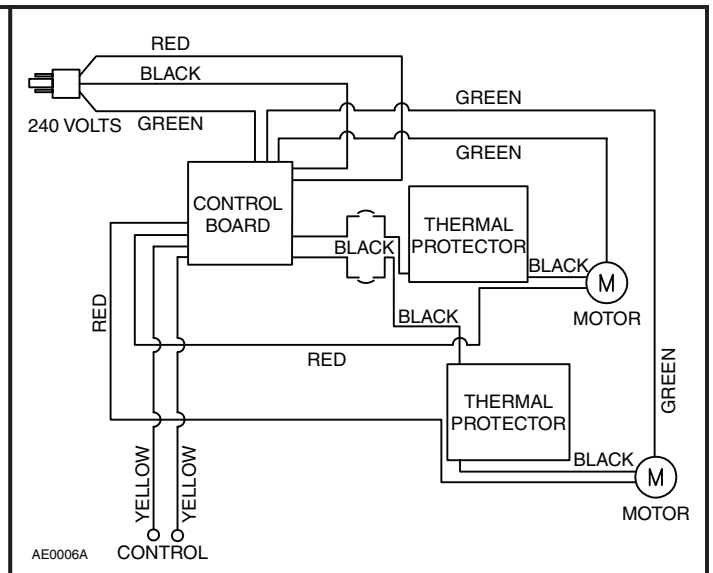
Trouble	Possible Cause	Possible Remedy
3. Power unit fails to stop when the hose is removed.	3a. An electrical short has occurred somewhere in the system.	3a. A complete check of all wall inlets and power unit low voltage control lead connections. Turn system off by removing fuse or tripping circuit breaker at house fuse box.
4. Power unit shuts off during normal operation, lights on unit, wall valve and hose are all red.	4a. Debris pail and/or direct door not fully closed or attached.	4a. Check and close direct door and make sure debris pail handles are fully locked.
5. On Broan VX6000C & VX12000C units only, all lights on control panel flash when unit is first plugged in.	5a. Two or more hoses may be plugged into the system.	5a. Check all other wall inlets, utility valve at power unit and sweep inlet valve.

INTERNAL WIRING DIAGRAM

WIRING DIAGRAM VX3000C, VX6000C



WIRING DIAGRAM VX12000C



GROUNDING INSTRUCTIONS

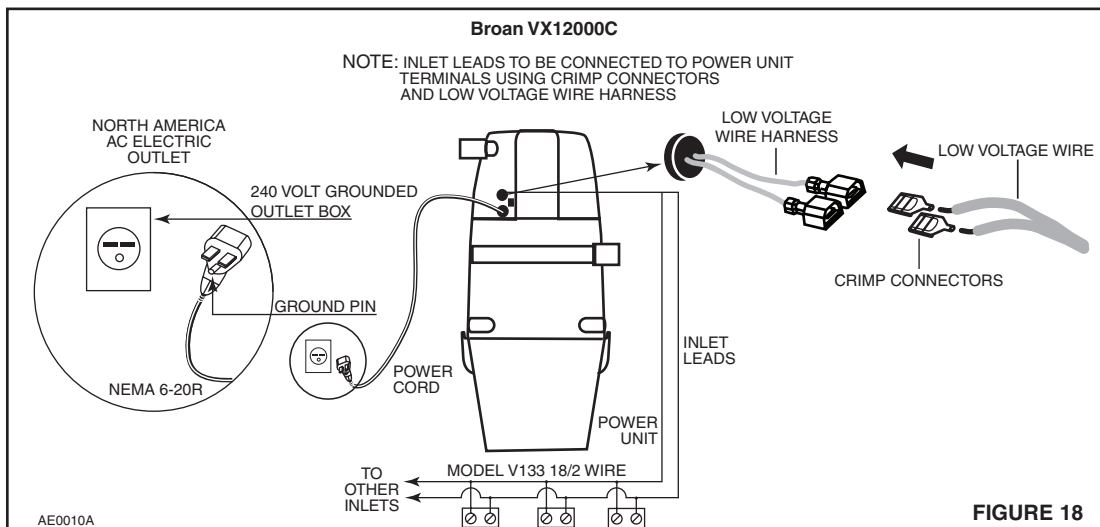
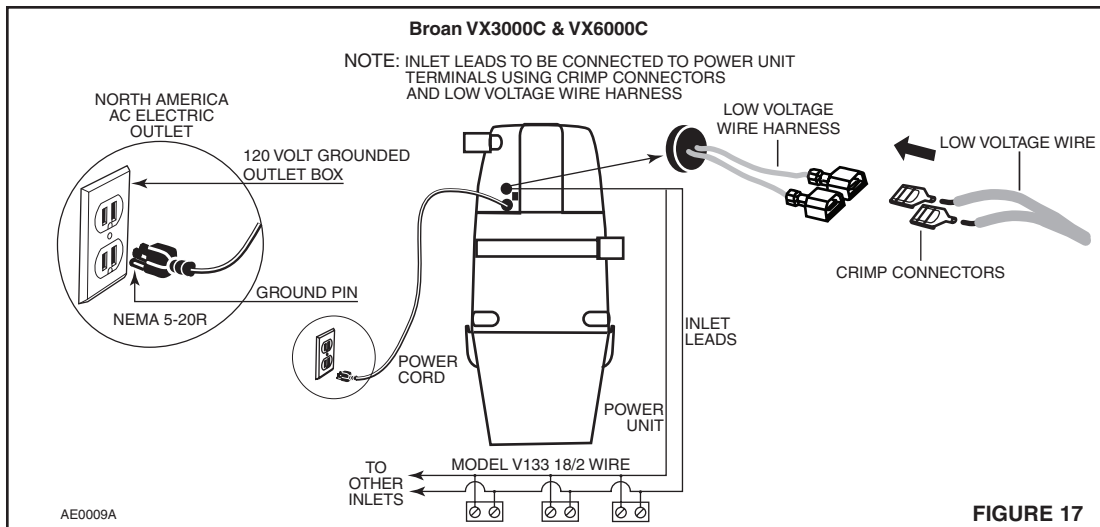
WIRING

This section refers to Figure 17 and 18.

Grounding Instructions – This appliance must be grounded. If it should malfunction or break down, grounding provides a path of least resistance for electric current, to reduce the risk of electric shock. This appliance is equipped with a cord having an equipment-grounding conductor and grounding plug. The plug must be plugged into an appropriate outlet that is properly installed and grounded in accordance with all local codes and ordinances.

Danger – Improper connection of the equipment-grounding conductor can result in a risk of electric shock. Check with a qualified electrician or service person if you are in doubt as to whether the outlet is properly grounded. Do not modify the plug provided with the appliance – if it will not fit the outlet, have a proper outlet installed by a qualified electrician.

This appliance is for use on a standard 120VAC, individual 20-amp branch circuit with a NEMA 5-20R receptacle for Broan models VX3000C & VX6000C. For Broan model VX12000C, a nominal 240VAC, individual 20-amp branch circuit with NEMA 6-20R receptacle is required. Make sure that the appliance is connected to an outlet and has a grounding attachment plug that looks like the plug shown in either Figure 17 or 18 depending on the model. No adapter should be used with this appliance.



SERVICE PARTS LIST (BROAN MODELS VX3000C, VX6000C & VX12000C)



Key No.	Part No.	Description	VX3000C	VX6000C	VX12000C
1	10941189	Pail assembly VS	X		
	10941191	Pail assembly TS		X	X
2	10941192	Door assembly	X	X	X
3	10941199	Latch kit (with screws)	X	X	X
4	10941232	VS PCB's assembly (including mother, daughter and screws)*	X		
	10941233	TS1 PCB's assembly (including mother, daughter and screws)*		X	
	10941195	TS2 Motherboard/Daughterboard S/A incl. screws*			X
5	10941235	VS motor with motor harness, fuse with fuse harness, circuit breaker*	X		
	10941236	TS1 motor with motor harness, fuse with fuse harness, circuit breaker*		X	
	10941231	TS2 motor with motor harness, fuse harness, circuit breaker*			X
6	30100528	Pail gasket TS		X	X
	30100527	Pail gasket VS	X		
7	30010272	Cyclonic filter VS	X		
	30010270	Cyclonic filter TS		X	X
8	10941217	Motor Chamber VS with foam and logo*	X		
	10941218	Motor Chamber TS with foam and logo*		X	X
9	10941211	Top cap VS with logo	X		
	10941213	Top cap TS with logo		X	X
10	10941201	Motor brush 120V + installation document*	X	X	
	10941202	Motor brush 240V + installation document*			X

NOTE: Order service parts by "Part No." - not by "Key No."

*This part MUST be removed and installed by a qualified technician.

BROAN-NUTONE CANADA INC.

**CENTRAL VACUUM POWER UNIT
LIMITED LIFETIME WARRANTY**

Broan-NuTone Canada warrants to the original consumer purchaser that its central vacuum power unit will be free from defects in materials and workmanship for as long as you own your home in which it was originally installed with the exception of the motor brushes which will be warranted for 5 years. THERE ARE NO OTHER WARRANTIES, EXPRESSED OR IMPLIED, INCLUDING, BUT NOT LIMITED TO, IMPLIED WARRANTIES OF MERCHANTABILITY OR FITNESS FOR A PARTICULAR PURPOSE.

During these time periods, Broan-NuTone Canada will repair the power unit or part without charge, which is found to be defective under normal use and service. THIS WARRANTY DOES NOT APPLY TO THE INSTALLATION OR THE PARTS USED IN THE INSTALLED TUBING SYSTEM. All central vacuum hoses, electric or air-driven brushes, filters, attachments and accessories are warranted for one (1) year from the original purchase date with the exception to consumables such as light bulbs and belts.

This warranty does not cover (a) normal maintenance and service or (b) any products or parts which have been subject to misuse, negligence, accident, improper maintenance or repair (other than by Broan-NuTone Canada or an authorized representative), faulty installation or installation contrary to recommended installation instructions.

The duration of any implied warranty is limited to the period as specified for the express warranty.

BROAN- NUTONE CANADA'S OBLIGATION TO REPAIR SHALL BE THE PURCHASER'S SOLE AND EXCLUSIVE REMEDY UNDER THIS WARRANTY. **DO NOT RETURN YOUR UNIT TO PLACE OF PURCHASE. CALL TOLL FREE 1-888-882-7626 FOR THE NAME OF AN AUTHORIZED REPRESENTATIVE IN YOUR AREA. THIS REPRESENTATIVE WILL REPAIR YOUR UNIT AT YOUR SITE OF INSTALLATION.** BROAN-NUTONE CANADA SHALL NOT BE LIABLE FOR INCIDENTAL, CONSEQUENTIAL OR SPECIAL DAMAGES ARISING OUT OF OR IN CONNECTION WITH PRODUCT USE OR PERFORMANCE. This warranty supersedes all prior warranties.

To qualify for warranty service, you must notify Broan-NuTone Canada at the address or telephone number stated below. We will then forward you the authorized service depot in your area. You will be required to present evidence of the original purchase date.

Date of Installation Builder or Installer

Model Number and Product Description

IF YOU NEED ASSISTANCE OR SERVICE:

For the location of your nearest Broan-NuTone Canada Inc. dealer:
Dial Toll Free: **1-888-882-7626**

Please be prepared to provide:
Product model number • Date and proof of purchase • The nature of the difficulty

Broan-NuTone Canada Inc.
1140 Tristar Drive, Mississauga, Ontario L5T 1H9

Free Manuals Download Website

<http://myh66.com>

<http://usermanuals.us>

<http://www.somanuals.com>

<http://www.4manuals.cc>

<http://www.manual-lib.com>

<http://www.404manual.com>

<http://www.luxmanual.com>

<http://aubethermostatmanual.com>

Golf course search by state

<http://golfingnear.com>

Email search by domain

<http://emailbydomain.com>

Auto manuals search

<http://auto.somanuals.com>

TV manuals search

<http://tv.somanuals.com>