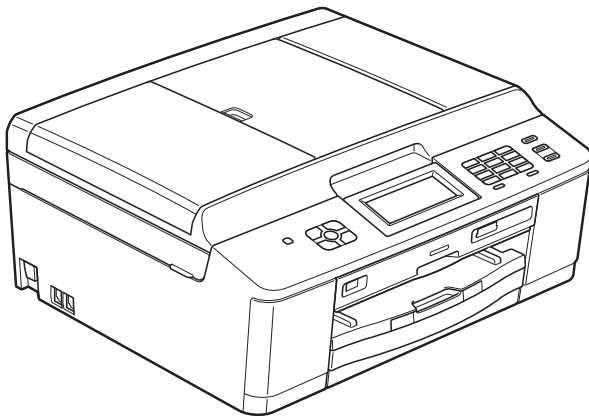


brother®

BASIC USER'S GUIDE



MFC-J825DW
MFC-J835DW

Version A

USA/CAN

If you need to call Customer Service

Please complete the following information for future reference:

Model Number: MFC-J825DW and MFC-J835DW
(Circle your model number)

Serial Number: ¹ _____

Date of Purchase: _____

Place of Purchase: _____

¹ **The serial number is on the back of the unit. Retain this User's Guide with your sales receipt as a permanent record of your purchase, in the event of theft, fire or warranty service.**

Register your product on-line at

<http://www.brother.com/registration/>

By registering your product with Brother, you will be recorded as the original owner of the product. Your registration with Brother:

- may serve as confirmation of the purchase date of your product should you lose your receipt;
- may support an insurance claim by you in the event of product loss covered by insurance; and,
- will help us notify you of enhancements to your product and special offers.

The most convenient and efficient way to register your new product is on-line at <http://www.brother.com/registration/>.

© 2011 Brother Industries, Ltd.

Brother numbers

IMPORTANT

For technical help, you must call the country where you bought the machine. Calls must be made **from within** that country.

Register your product

By registering your product with Brother International Corporation, you will be recorded as the original owner of the product. Your registration with Brother:

- may serve as confirmation of the purchase date of your product should you lose your receipt;
- may support an insurance claim by you in the event of product loss covered by insurance; and,
- will help us notify you of enhancements to your product and special offers.

Please complete and fax the Brother Warranty Registration And Test Sheet or, for your convenience and most efficient way to register your new product, register on-line at

<http://www.brother.com/registration/>

FAQs (frequently asked questions)

The Brother Solutions Center is our one-stop resource for all your Fax Machine/Multi-Function Center needs. You can download the latest software documents and utilities, read FAQs and troubleshooting tips, and learn how to get the most from your Brother product.

<http://solutions.brother.com/>



Note

- You can check here for Brother driver updates.
- To keep your machine performance up to date, check here for the latest firmware upgrade.

For Customer Service

In USA: 1-877-BROTHER (1-877-276-8437)

1-901-379-1215 (fax)

In Canada: 1-877-BROTHER

(514) 685-4898 (fax)

Service Center Locator (USA only)

For the location of a Brother authorized service center, call 1-877-BROTHER (1-877-276-8437).

Service Center Locations (Canada only)

For the location of a Brother authorized service center, call 1-877-BROTHER.

Ordering accessories and supplies

For best quality results use only genuine Brother accessories, which are available at most Brother retailers. If you cannot find the accessory you need and you have a Visa, MasterCard, Discover, or American Express credit card, you can order accessories directly from Brother. (You can visit us online for a complete selection of the Brother accessories and supplies that are available for purchase.)



Note

In Canada only Visa and MasterCard are accepted.

In USA: 1-877-552-MALL (1-877-552-6255)
1-800-947-1445 (fax)

<http://www.brothermall.com/>

In Canada: 1-877-BROTHER

<http://www.brother.ca/>

Description	Item
Ink Cartridge Standard <black>	LC71BK (Prints approx. 300 pages) ¹
Ink Cartridge Standard <yellow>	LC71Y (Prints approx. 300 pages) ¹
Ink Cartridge Standard <cyan> (blue)	LC71C (Prints approx. 300 pages) ¹
Ink Cartridge Standard <magenta> (red)	LC71M (Prints approx. 300 pages) ¹
Ink Cartridge High Yield <black>	LC75BK (Prints approx. 600 pages) ¹
Ink Cartridge High Yield <yellow>	LC75Y (Prints approx. 600 pages) ¹
Ink Cartridge High Yield <cyan> (blue)	LC75C (Prints approx. 600 pages) ¹
Ink Cartridge High Yield <magenta> (red)	LC75M (Prints approx. 600 pages) ¹
Premium Plus Glossy Photo Paper (Letter size / 20 sheets) (4" × 6" size / 20 sheets)	BP71GLTR BP71GP
Premium Glossy Photo Paper (Letter size / 20 sheets) (4" × 6" size / 20 sheets)	BP61GLL (USA only) BP61GLP (USA only)

¹ For more information about the replacement consumables, visit us at <http://www.brother.com/pageyield/>.

Description	Item
Multipurpose Paper - Plain Paper (Letter size / 500 sheets)	BP60MPLTR (USA only)
Matte Inkjet Paper (Letter size / 25 sheets)	BP60ML (USA only)
Plain Inkjet Paper (Letter size / 100 sheets)	BP60PL100 (USA only)
Telephone Line Cord	LG3077001 (USA only)
Basic User's Guide	LX8249001 (English for USA and Canada) LX8249002 (French for Canada)
CD ROM for Windows® & Mac	LX8265001 (MFC-J825DW) LX8291001 (MFC-J835DW)

Notice - Disclaimer of Warranties (USA and Canada)

BROTHER'S LICENSOR(S), AND THEIR DIRECTORS, OFFICERS, EMPLOYEES OR AGENTS (COLLECTIVELY BROTHER'S LICENSOR) MAKE NO WARRANTIES, EXPRESS OR IMPLIED, INCLUDING WITHOUT LIMITATION THE IMPLIED WARRANTIES OF MERCHANTABILITY AND FITNESS FOR A PARTICULAR PURPOSE, REGARDING THE SOFTWARE. BROTHER'S LICENSOR(S) DOES NOT WARRANT, GUARANTEE OR MAKE ANY REPRESENTATIONS REGARDING THE USE OR THE RESULTS OF THE USE OF THE SOFTWARE IN TERMS OF ITS CORRECTNESS, ACCURACY, RELIABILITY, CURRENTNESS OR OTHERWISE. THE ENTIRE RISK AS TO THE RESULTS AND PERFORMANCE OF THE SOFTWARE IS ASSUMED BY YOU. THE EXCLUSION OF IMPLIED WARRANTIES IS NOT PERMITTED BY SOME STATES IN THE USA AND SOME PROVINCES IN CANADA. THE ABOVE EXCLUSION MAY NOT APPLY TO YOU.

IN NO EVENT WILL BROTHER'S LICENSOR(S) BE LIABLE TO YOU FOR ANY CONSEQUENTIAL, INCIDENTAL OR INDIRECT DAMAGES (INCLUDING DAMAGES FOR LOSS OF BUSINESS PROFITS, BUSINESS INTERRUPTION, LOSS OF BUSINESS INFORMATION, AND THE LIKE) ARISING OUT OF THE USE OR INABILITY TO USE THE SOFTWARE EVEN IF BROTHER'S LICENSOR HAS BEEN ADVISED OF THE POSSIBILITY OF SUCH DAMAGES. BECAUSE SOME STATES IN THE USA AND SOME PROVINCES IN CANADA DO NOT ALLOW THE EXCLUSION OR LIMITATION OF LIABILITY FOR CONSEQUENTIAL OR INCIDENTAL DAMAGES, THE ABOVE LIMITATIONS MAY NOT APPLY TO YOU. IN ANY EVENT BROTHER'S LICENSOR'S LIABILITY TO YOU FOR ACTUAL DAMAGES FROM ANY CAUSE WHATSOEVER, AND REGARDLESS OF THE FORM OF THE ACTION (WHETHER IN CONTRACT, TORT (INCLUDING NEGLIGENCE), PRODUCT LIABILITY OR OTHERWISE), WILL BE LIMITED TO \$50.

Compilation and Publication Notice

Under the supervision of Brother Industries, Ltd., this manual has been compiled and published, covering the latest product descriptions and specifications.

The contents of this manual and the specifications of this product are subject to change without notice.

Brother reserves the right to make changes without notice in the specifications and materials contained herein and shall not be responsible for any damages (including consequential) caused by reliance on the materials presented, including but not limited to typographical and other errors relating to the publication.

User's Guides and where do I find it?

Which manual?	What's in it?	Where is it?
Product Safety Guide	Read this Guide first. Please read the Safety Instructions before you set up your machine. See this Guide for trademarks and legal limitations.	Printed / In the box
Quick Setup Guide	Follow the instructions for setting up your machine and installing the drivers and software for the operating system and connection type you are using.	Printed / In the box
Basic User's Guide	Learn the basic Fax, Copy, Scan and PhotoCapture Center™ operations and how to replace consumables. See troubleshooting tips.	Printed / In the box
Advanced User's Guide	Learn more advanced operations: Fax, Copy, security features, printing reports and performing routine maintenance.	PDF file / CD-ROM
Software User's Guide	Follow these instructions for Printing, Scanning, Network Scanning, PhotoCapture Center™, Remote Setup, PC-Fax, Disc Print, Web Services (Scan), and using the Brother ControlCenter utility.	PDF file / CD-ROM
Network Glossary	This Guide provides basic information about advanced network features of Brother machines along with explanations about general networking and common terms.	PDF file / CD-ROM
Network User's Guide	This Guide provides useful information about wired and wireless network settings and security settings using the Brother machine. You can also find supported protocol information for your machine and detailed troubleshooting tips.	PDF file / CD-ROM
Mobile Print/Scan Guide	This Guide provides useful information about printing data from your mobile phone and transmitting scanned data from the Brother machine to your mobile phone.	PDF file / Brother Solutions Center ¹
Web Connect Guide	This Guide provides useful information about accessing internet services from the Brother machine, as well as downloading images, printing data and uploading files directly from internet services.	PDF file / Brother Solutions Center ¹

¹ Visit us at <http://solutions.brother.com/>.

Table of Contents

(BASIC USER'S GUIDE)

1	General information	1
	Using the documentation	1
	Symbols and conventions used in the documentation	1
	Accessing the Advanced User's Guide, Software User's Guide, Network User's Guide, and Network Glossary	2
	Viewing Documentation	2
	Accessing Brother Support (Windows®)	4
	Accessing Brother Support (Macintosh)	5
	Control panel overview	6
	LCD Touchscreen	8
	Status LED	9
	Basic Operations	9
2	Loading paper	10
	Loading paper and other print media	10
	Loading envelopes and postcards	13
	Loading photo paper	14
	Printable area	17
	Paper settings	18
	Paper Type	18
	Paper Size	18
	Acceptable paper and other print media	19
	Recommended print media	19
	Handling and using print media	20
	Choosing the right print media	21
3	Loading documents	23
	How to load documents	23
	Using the ADF	23
	Using the scanner glass	24
	Unscannable area	25
4	Sending a fax	26
	How to send a fax	26
	Stop faxing	28
	Setting scanner glass size for faxing	28
	Color fax transmission	28
	Canceling a fax in progress	28
	How to preview an outgoing fax	28
	Transmission Verification Report	29

5	Receiving a fax	30
	Receive Modes	30
	Choose the correct Receive Mode	30
	Using Receive Modes	32
	Fax Only	32
	Fax/Tel.....	32
	Manual.....	32
	External TAD	32
	Receive Mode settings	33
	Ring Delay	33
	F/T Ring Time (Fax/Tel mode only).....	33
	Easy Receive.....	34
	Fax Preview (Black & White only).....	34
	How to preview a received fax.....	34
	Turning off Fax Preview.....	36
6	Telephone services and external devices	37
	Telephone services.....	37
	Voice Mail	37
	Distinctive Ring.....	38
	Connecting an external TAD (telephone answering device).....	40
	Connections.....	41
	Recording an outgoing message (OGM) on an external TAD.....	41
	Multi-line connections (PBX)	42
	External and extension telephones.....	42
	Connecting an external or extension telephone	42
	Using external and extension telephones.....	43
	Using a non-Brother cordless external telephone	43
	Using remote codes.....	43
7	Dialing and storing numbers	45
	How to dial	45
	Manual dialing	45
	Speed Dialing	45
	Fax Redial	45
	Storing numbers	46
	Storing a pause	46
	Storing Speed Dial numbers.....	46
	Changing Speed Dial names or numbers.....	47
8	Making copies	48
	How to copy	48
	Stop copying.....	48
	Copy settings.....	49
	Paper Options.....	49

9	PhotoCapture Center™: Printing photos from a memory card or USB Flash memory drive	50
	PhotoCapture Center™ operations (PHOTO mode)	50
	Using a memory card or USB Flash memory drive	50
	Getting started	51
	Print Images.....	53
	View Photos.....	53
	PhotoCapture Center™ print settings.....	54
	How to scan to a memory card or USB Flash memory drive.....	54
10	How to print from a computer	56
	Printing a document.....	56
11	How to scan to a computer	57
	Scanning a document.....	57
	Scanning using the SCAN key.....	57
	Scanning using a scanner driver	58
	Scanning using the ControlCenter.....	58
12	How to print on a Disc (CD/DVD/BD)	59
	Overview.....	59
	How to load a Disc (CD/DVD/BD).....	59
A	Routine maintenance	61
	Replacing the ink cartridges	61
	Cleaning and checking the machine	64
	Cleaning the scanner.....	64
	Cleaning the print head	65
	Checking the print quality	65
	Checking the print alignment.....	66
B	Troubleshooting	67
	Error and Maintenance messages.....	67
	Error animation	75
	Transferring your faxes or Fax Journal report	75
	Document jam	76
	Printer jam or paper jam	77
	Disc Jam	83
	Troubleshooting	86
	If you are having difficulty with your machine	86
	Dial Tone	96
	Telephone line interference / VoIP	96
	Machine Information	97
	Checking the serial number.....	97
	Reset functions.....	97
	How to reset the machine.....	97

C Menu and features 98

On-screen programming	98
Menu table	99
Entering Text	122
Inserting spaces	122
Making corrections	122
Repeating letters	122

D Specifications 123

General	123
Print media	125
Fax	126
Copy	127
PhotoCapture Center™	128
PictBridge	129
Scanner	130
Printer	131
Interfaces	132
Computer requirements	133
Consumable items	134
Network (LAN)	135

E Index 136

Table of Contents

(ADVANCED USER'S GUIDE)

The Advanced User's Guide explains the following features and operations.

You can view the Advanced User's Guide on the CD-ROM.

1 General setup

IMPORTANT NOTE

Memory storage
Volume Settings
Automatic Daylight Saving Time
Sleep Mode
LCD screen
Mode Timer

2 Security features

Memory Security

3 Sending a fax

Additional sending options
Additional sending operations
Polling overview

4 Receiving a fax

Memory Receive (Black & White only)
Remote Retrieval
Additional receiving operations
Polling overview

5 Dialing and storing numbers

Voice operations
Additional dialing operations
Additional ways to store numbers

6 Printing reports

Fax reports
Reports

7 Making copies

Copy settings

8 PhotoCapture Center™: Printing photos from a memory card or USB Flash memory drive

PhotoCapture Center™ operations
Print Images
PhotoCapture Center™ print settings
*Scan to a memory card or USB Flash
memory drive*

9 Printing photos from a camera

*Printing photos directly from a
PictBridge camera*
*Printing photos directly from a digital
camera (without PictBridge)*

A Routine maintenance

Cleaning and checking the machine
Packing and shipping the machine

B Glossary

C Index



Using the documentation

Thank you for buying a Brother machine! Reading the documentation will help you make the most of your machine.

Symbols and conventions used in the documentation

The following symbols and conventions are used throughout the documentation.

Bold	Bold typeface identifies specific keys on the machine's control panel or on the computer screen.
<i>Italics</i>	Italicized typeface emphasizes an important point or refers you to a related topic.
Courier New	Text in Courier New font identifies messages on the LCD of the machine.

WARNING

WARNING indicates a potentially hazardous situation which, if not avoided, could result in death or serious injuries.

CAUTION

CAUTION indicates a potentially hazardous situation which, if not avoided, may result in minor or moderate injuries.

IMPORTANT

IMPORTANT indicates a potentially hazardous situation which, if not avoided, may result in damage to property or loss of product functionality.



Notes tell you how you should respond to a situation that may arise or give tips about how the operation works with other features.



Electrical Hazard icons alert you to possible electrical shock.

Accessing the Advanced User's Guide, Software User's Guide, Network User's Guide, and Network Glossary

This Basic User's Guide does not contain all the information about the machine, such as how to use the advanced features for Fax, Copy, PhotoCapture Center™, Printer, Scanner, PC-Fax, and Network. When you are ready to learn detailed information about these operations, read the **Advanced User's Guide**, **Software User's Guide**, **Network User's Guide**, and **Network Glossary** that are on the CD-ROM.

Viewing Documentation

Viewing Documentation (Windows®)

To view the documentation, from the **Start** menu, select **Brother**, **MFC-XXXX** (where XXXX is your model name) from the programs group, and then choose **User's Guides**.

If you have not installed the software, you can find the documentation on the CD-ROM by following the instructions below:

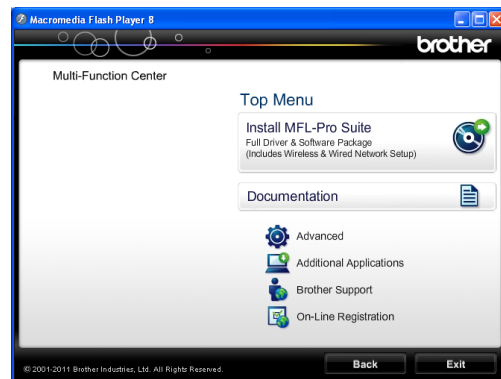
- 1 Turn on your PC. Insert the Brother CD-ROM into your CD-ROM drive.



Note

If the Brother screen does not appear automatically, go to **My Computer (Computer)**, double-click the CD-ROM icon, and then double-click **start.exe**.

- 2 If the model name screen appears, click your model name.
- 3 If the language screen appears, click your language. The CD-ROM Top Menu will appear.



- 4 Click **Documentation**.
- 5 Click **PDF documents**. If the country screen appears, choose your country. After the list of User's Guides appears, choose the guide you want to read.

Viewing Documentation (Macintosh)

- 1 Turn on your Macintosh. Insert the Brother CD-ROM into your CD-ROM drive. The following window will appear.



- 2 Double-click the **Documentation** icon.
- 3 Double-click your language folder.
- 4 Double-click **top.pdf**. If the country screen appears, choose your country.

- 5 After the list of User's Guides appears, choose the guide you want to read.

How to find Scanning instructions

There are several ways you can scan documents. You can find the instructions as follows:

Software User's Guide

- *Scanning*
- *ControlCenter*
- *Network Scanning*

ScanSoft™ PaperPort™ 12SE with OCR How-to-Guides

(Windows® users)

- The complete ScanSoft™ PaperPort™ 12SE with OCR How-to-Guides can be viewed from the Help selection in the ScanSoft™ PaperPort™ 12SE application.

Presto! PageManager User's Guide (Macintosh users)



Note

Presto! PageManager is available as a download from http://nj.newsoft.com.tw/download/brother/PM9SEInstaller_BR_multilang.dmg

- The complete Presto! PageManager User's Guide can be viewed from the Help selection in the Presto! PageManager application.

How to find Network setup instructions

Your machine can be connected to a wireless or wired network.

Basic setup instructions

➤➤ Quick Setup Guide

If your wireless access point or router supports Wi-Fi Protected Setup or AOSS™

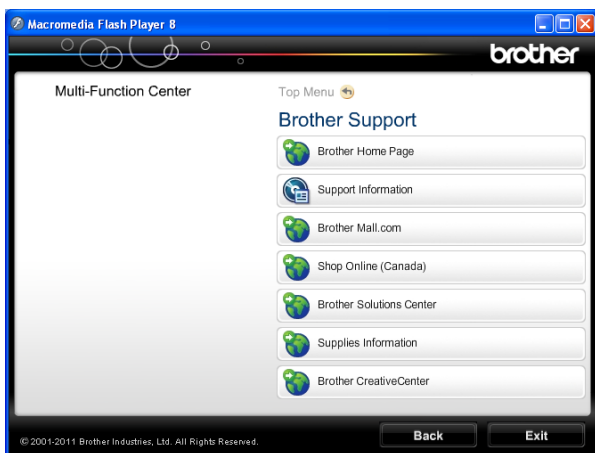
➤➤ Quick Setup Guide

Network setup ➤➤ Network User's Guide

Accessing Brother Support (Windows®)

You can find all the contacts you will need, such as Web support (Brother Solutions Center), Customer Service and Brother Authorized Service Centers in *Brother numbers* >> page i and on the CD-ROM.

- Click **Brother Support** on the **Top Menu**. The following screen will appear:



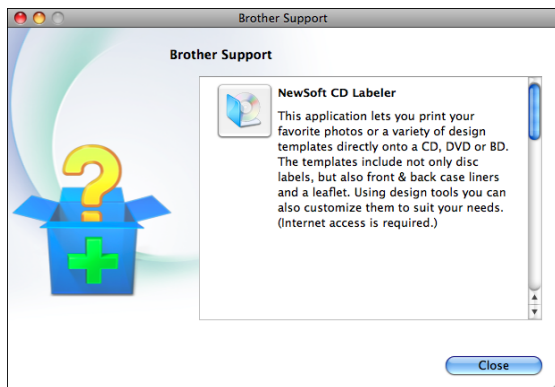
- To visit our Web site for genuine Brother Supplies (<http://www.brother.com/original/>), click **Supplies Information**.
- To access the Brother CreativeCenter (<http://www.brother.com/creativecenter/>) for FREE photo projects and printable downloads, click **Brother CreativeCenter**.
- To return to the **Top Menu**, click **Back** or if you are finished, click **Exit**.

- To access our Web site (<http://www.brother.com/>), click **Brother Home Page**.
- To view all Brother Numbers, including Customer Service numbers for the USA and Canada, click **Support Information**.
- To access the USA Brother online shopping mall (<http://www.brothermall.com/>) for additional product and services information, click **Brother Mall.com**.
- To access Canada's Brother online shopping mall (<http://www.brother.ca/>) for additional product and services information, click **Shop Online (Canada)**.
- For the latest news and product support information (<http://solutions.brother.com/>), click **Brother Solutions Center**.

Accessing Brother Support (Macintosh)

You can find all the contacts you will need, such as Web support (Brother Solutions Center) on the CD-ROM.

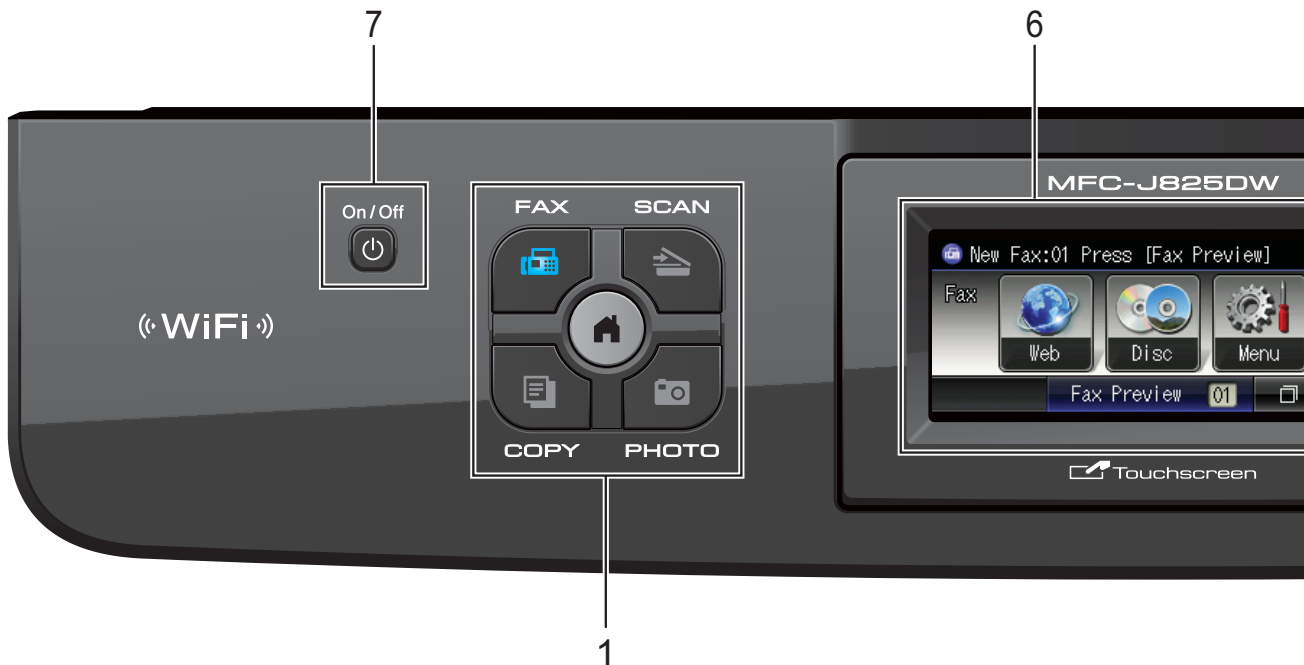
- Double-click the **Brother Support** icon. The following screen will appear:








- To download and install NewSoft CD Labeler, click **NewSoft CD Labeler**.
- To download and install Presto! PageManager, click **Presto! PageManager**.
- To register your machine from the Brother Product Registration Page (<http://www.brother.com/registration/>), click **On-Line Registration**.
- For the latest news and product support information (<http://solutions.brother.com/>), click **Brother Solutions Center**.
- To visit our Web site for genuine Brother Supplies (<http://www.brother.com/original/>), click **Supplies Information**.

Control panel overview

The **MFC-J825DW** and **MFC-J835DW** have the same control panel keys.





1 Mode keys:

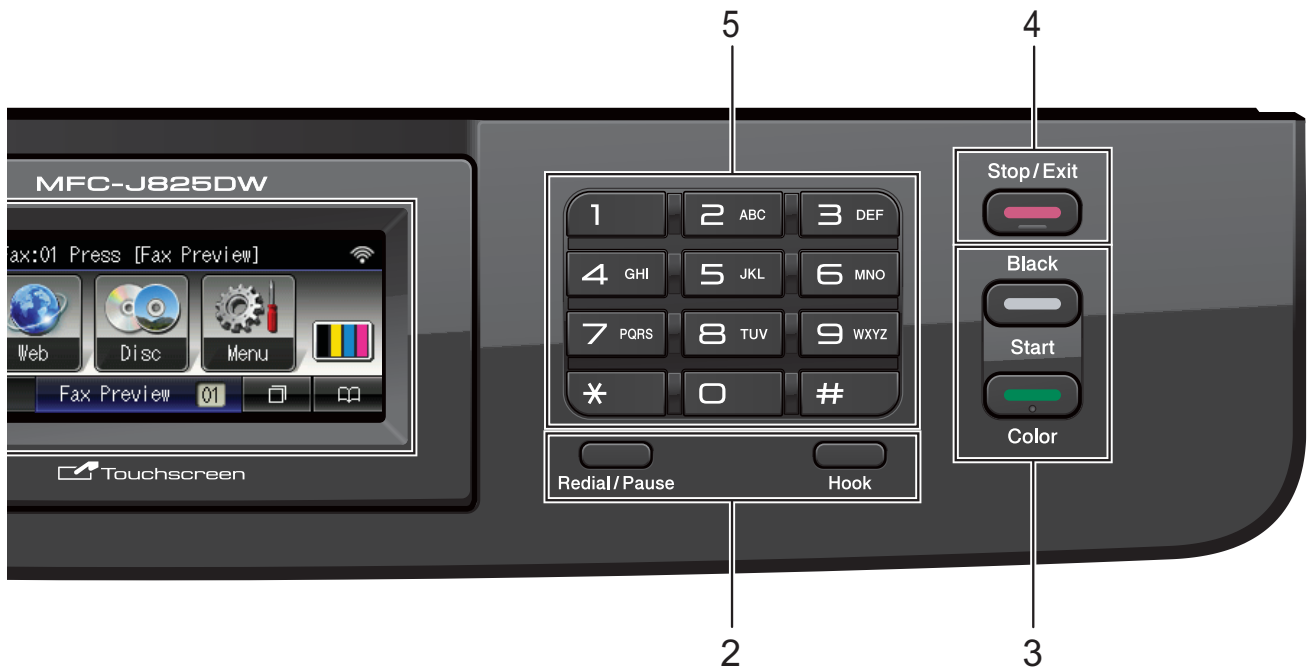
-  **FAX**
Lets you access FAX mode.
-  **SCAN**
Lets you access SCAN mode.
-  **COPY**
Lets you access COPY mode.
-  **PHOTO**
Lets you access PHOTO mode.
- 
Lets you return to Ready mode.

2 Telephone keys:

- **Redial/Pause**
Redials the last 30 numbers called. It also inserts a pause when dialing numbers.
- **Hook**
Press before dialing when you want to listen to make sure a fax machine has answered, and then press **Black Start** or **Color Start**. Also, press this key after picking up the handset of the external telephone during the F/T pseudo/double-ring.

3 Start keys:

-  **Black Start**
Lets you start sending faxes or making copies in black & white. Also lets you start a scanning operation (in color or black & white depending on the scan setting in the ControlCenter software).
-  **Color Start**
Lets you start sending faxes or making copies in full color. Also lets you start a scanning operation (in color or black & white, depending on the scan setting in the ControlCenter software).



4 Stop/Exit

Stops an operation or exits the menu.

5 **Dial Pad**

Use these keys to dial telephone and fax numbers and as a keyboard for entering information into the machine.


6 **LCD (Liquid Crystal Display)**


This is a Touchscreen LCD. You can access the menus and options by pressing buttons displayed on the screen.

Also, you can adjust the angle of the LCD screen by lifting it.

7 On/Off

You can turn the machine on and off.

Press  **On/Off** to turn the machine on.

Press and hold down  **On/Off** to turn the machine off. The LCD will show *Shutting Down* and will stay on for a few seconds before going off.

If you have connected an external telephone or TAD, it is always available.

If you turn the machine off, it will still periodically clean the print head to maintain print quality. To prolong print head life, provide the best ink cartridge economy, and maintain print quality, you should keep your machine connected to the power at all times.



Note

Most of the illustrations in this User's Guide show the MFC-J825DW.

LCD Touchscreen

The LCD shows the current machine status when the machine is idle.



1 Current Receive Mode

Lets you see the current receive mode.

- Fax (Fax Only)
- F/T (Fax/Tel)
- TAD (External TAD)
- Mnl (Manual)



Note

When the Distinctive Ring feature is turned on, the LCD shows D/R. For details, see *Distinctive Ring* >> page 38.

2 Fax Preview

Lets you preview received faxes.

3 Faxes in memory

Shows how many received faxes are in the memory.

4 Call History



Lets you view a list of outgoing calls and the Caller ID history.

Also, lets you fax the number you have chosen from the lists.

5 Speed Dial



Lets you set up Speed Dial and Group numbers.

Also, you can search for the number you want to dial.

6 Ink indicator

Lets you see the available ink volume. Also, lets you access the Ink menu.

7 Wireless Status

A four level indicator shows the current wireless signal strength if you are using a wireless connection.



8 Menu

Lets you access the main menu.

9 Disc


Lets you print on printable media, including CD-R/RW, DVD-R/RW and Blu-ray Disc™. (>>Software User's Guide: *Printing on a Disc*)

10 Web

Lets you connect the Brother machine to an internet service. For details >>>Web Connect Guide.

11 New Fax

When Fax Preview is set to On, you can see how many new faxes you have received.

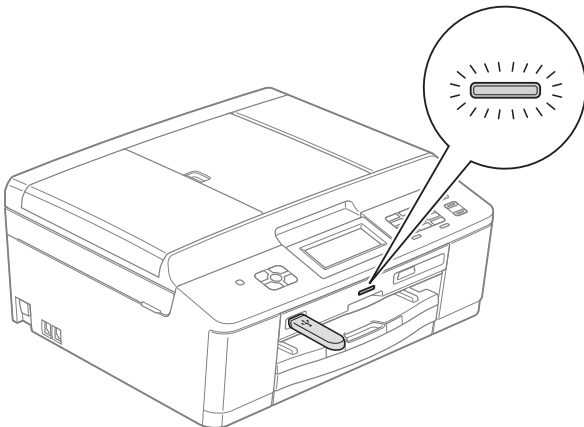
The warning icon  appears when there is an error or maintenance message. For details, see *Error and Maintenance messages* >> page 67.

Status LED

When you turn the machine on, the status LED lights up.

When the memory card or USB Flash memory drive is being read or written to, the status LED blinks.

When the machine is in Sleep Mode, the status LED will be off.



Basic Operations

To operate the Touchscreen use your finger to press the **Menu** or option button directly on the Touchscreen. To display and access all the screen menus or options in a setting, press **◀▶** or **▲▼** to scroll through them.

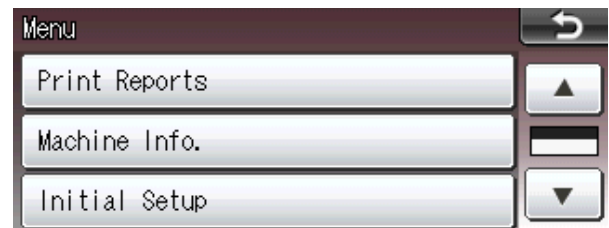
! IMPORTANT

DO NOT press the Touchscreen with a sharp object, such as a pen or stylus. It may damage the machine.

The following steps show how to change a setting in the machine. In this example the Receive mode setting is changed from **Fax Only** to **Fax/Tel**.

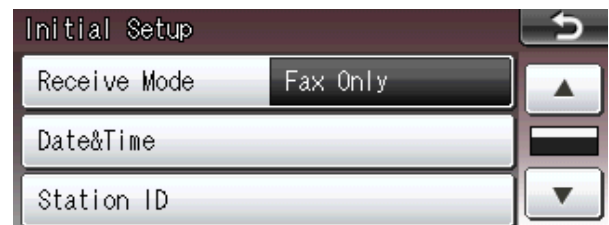
1 Press **Menu**.

2 Press **▲** or **▼** to display **Initial Setup**.



3 Press **Initial Setup**.

4 Press **▲** or **▼** to display **Receive Mode**.



5 Press **Receive Mode**.

6 Press **Fax/Tel**.



Note

Press **↶** to go back to the previous level.

7 Press **Stop/Exit**.

2

Loading paper

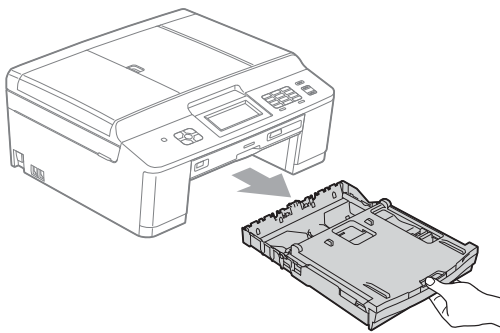
Loading paper and other print media

Note

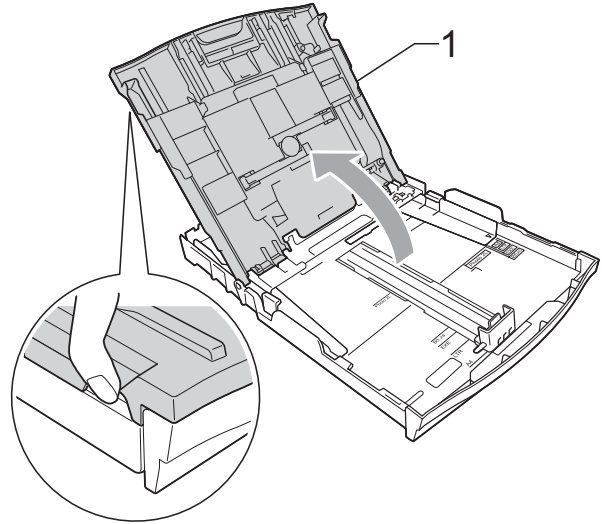
To print on Photo (4" × 6") or Photo L (3.5" × 5") paper, you must use the photo bypass tray. (See *Loading photo paper* >> page 14.)

Load only one size of paper and one type of paper in the paper tray at any one time.

- 1 Pull the paper tray completely out of the machine.



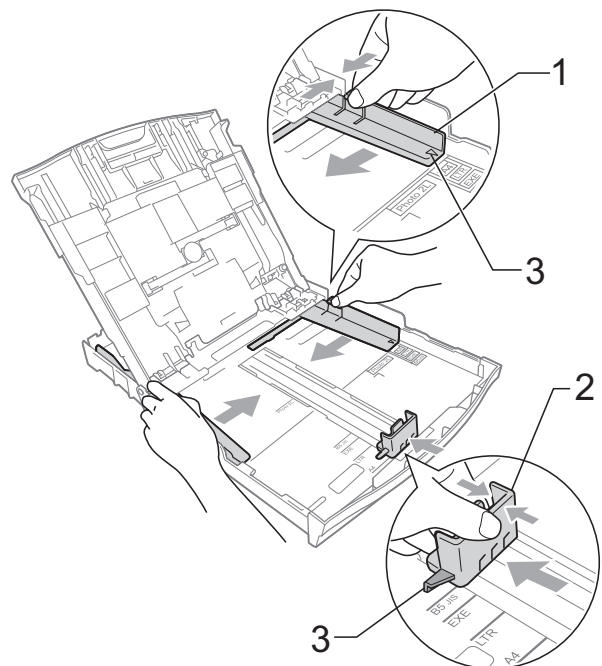
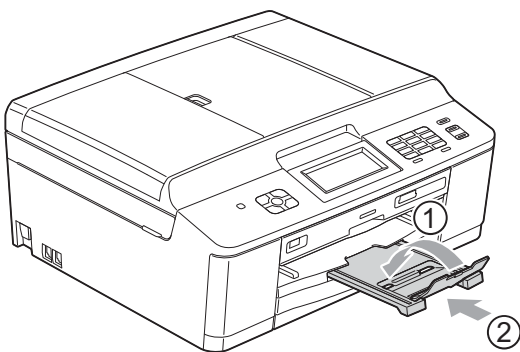
- 2 Lift the output paper tray cover (1).



- 3 With both hands, gently press and slide the paper side guides (1) and then the paper length guide (2) to fit the paper size. Make sure that the triangular marks (3) on the paper side guides (1) and paper length guide (2) line up with the marks for the paper size you are using.

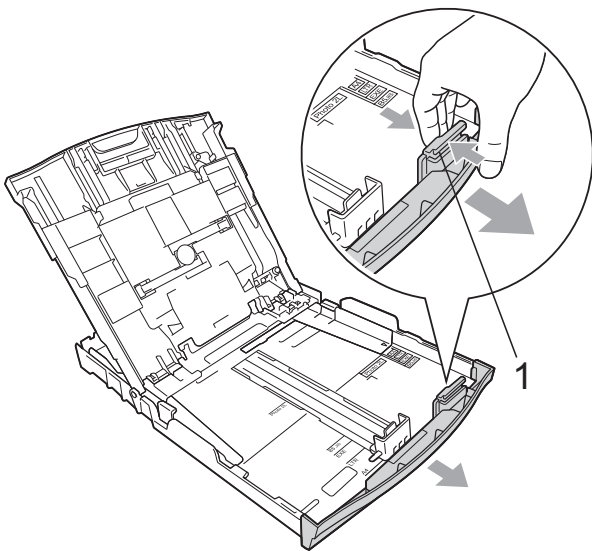
Note

If the paper support flap (1) is open, close it, and then close the paper support (2).

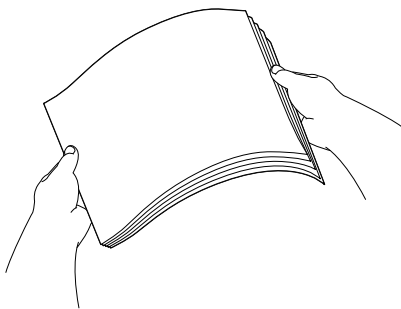


**Note**

When you are using Legal size paper, press and hold the universal guide release button (1) as you slide out the front of the paper tray.

**4**

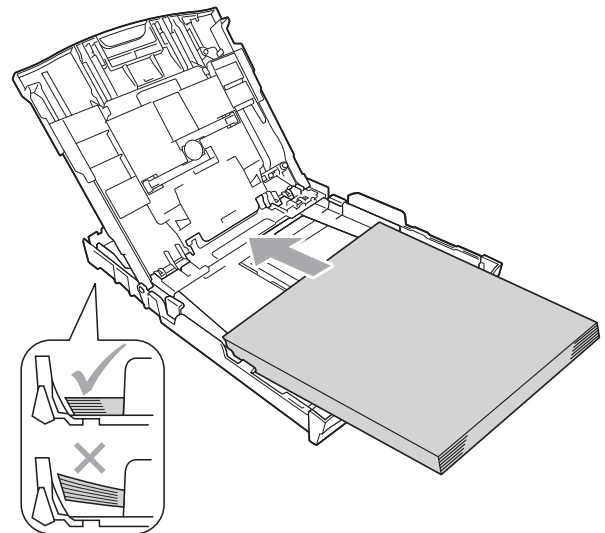
Fan the stack of paper well to avoid paper jams and misfeeds.

**Note**

Always make sure that the paper is not curled or wrinkled.

5

Gently put the paper into the paper tray print side down and top edge in first. Check that the paper is flat in the tray.

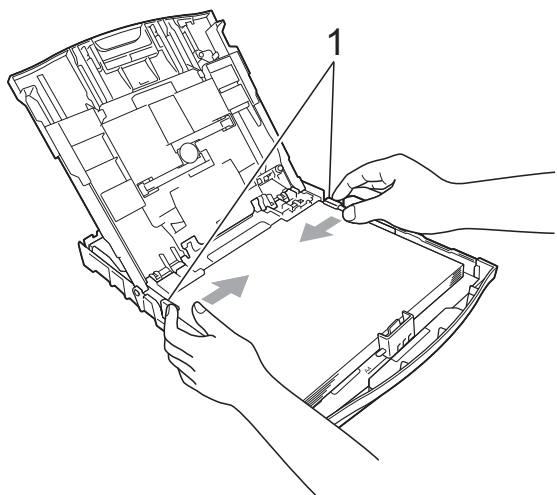
**IMPORTANT**

Be careful not to push the paper in too far; it may lift at the back of the tray and cause paper feed problems.

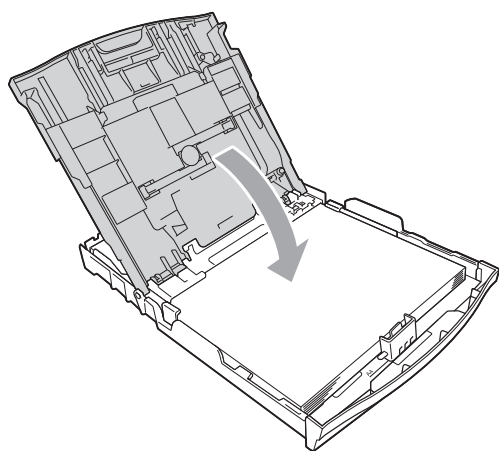
**Note**

When there are only a few sheets of paper left in the paper tray, the machine may start to misfeed. Load at least 10 sheets of paper in the paper tray.

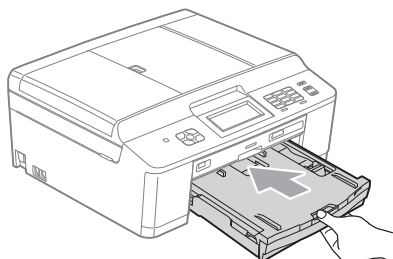
- 6 Gently adjust the paper side guides (1) to fit the paper using both hands. Make sure the paper side guides touch the sides of the paper.



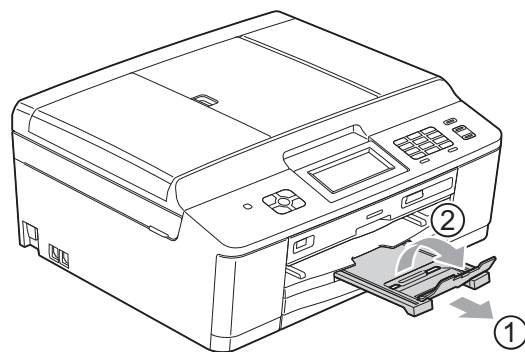
- 7 Close the output paper tray cover.



- 8 Slowly push the paper tray completely into the machine.



- 9 While holding the paper tray in place, pull out the paper support (1) until it clicks, and then unfold the paper support flap (2).



! IMPORTANT

DO NOT use the paper support flap for Legal size paper.

Loading envelopes and postcards


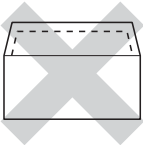
About envelopes

- Use envelopes that weigh from 20 to 25 lb (80 to 95 g/m²).
- Some envelopes need margin settings to be set in the application. Make sure you do a test print first before printing many envelopes.

! IMPORTANT

DO NOT use any of the following types of envelopes, as they will cause paper feed problems:

- That are of a baggy construction.
- That have windows.
- That are embossed (have raised writing on them).
- That have clasps or staples.
- That are pre-printed on the inside.

Glue	Double flaps
	

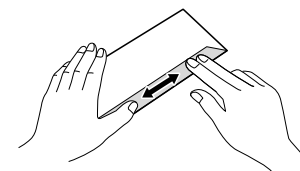
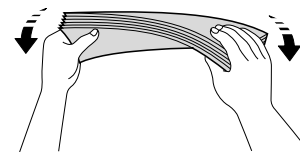
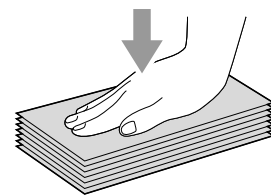
Occasionally you may experience paper feed problems caused by the thickness, size and flap shape of the envelopes you are using.

Loading envelopes and postcards

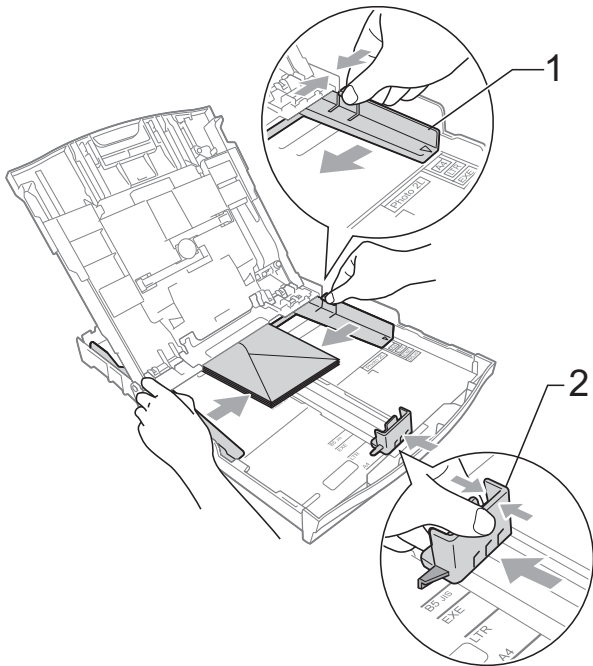
- 1 Before loading, press the corners and sides of envelopes or postcards to make them as flat as possible.

! IMPORTANT

If envelopes or postcards are “double-feeding,” put one envelope or postcard in the paper tray at a time.

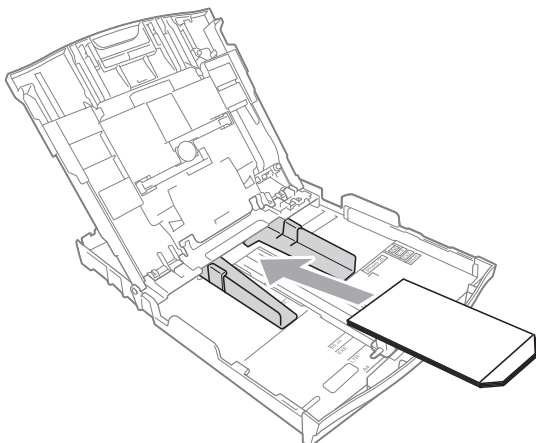


- 2 Put envelopes or postcards in the paper tray with the address side down and the leading edge in first as shown in the illustration. Using both hands, gently press and slide the paper side guides (1) and paper length guide (2) to fit the size of the envelopes or postcards.



If you have problems printing on envelopes with the flap on the short edge, try the following:

- 1 Open the envelope flap.
2 Put the envelope into the paper tray with the address side down and the flap positioned as shown in the illustration.



- 3 Select **Reverse Print** in the printer driver's dialog box, and then adjust the size and margin in your application.
 >>Software User's Guide: *Printing* (Windows®)
 >>Software User's Guide: *Printing and Faxing* (Macintosh)

Loading photo paper

Note

In Canada, the **photo bypass tray** is called the **photo paper tray**.

Use the photo bypass tray, which is located on the top of the output paper tray cover, to print on Photo (4" × 6") and Photo L (3.5" × 5") size paper. When you use the photo bypass tray, you do not have to take out the paper that is in the tray beneath it. (For the maximum number of photo cards you can load, see *Paper weight, thickness and capacity* >> page 22.)

- 1 Squeeze the blue photo bypass tray release button (1) using your right index finger and thumb and push the photo bypass tray forward until it clicks into the photo printing position (2).

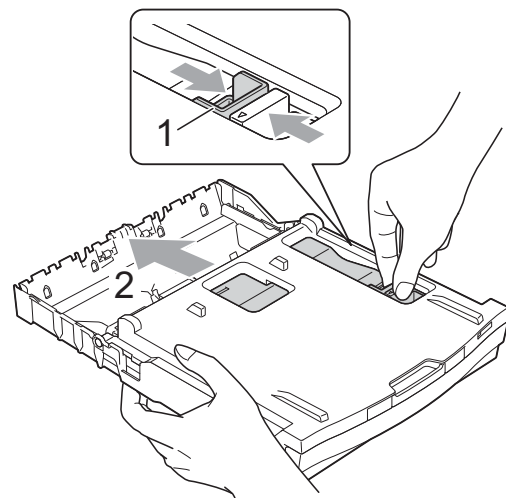
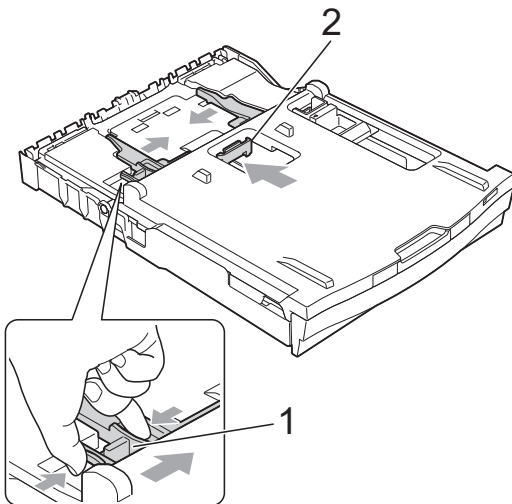


Photo Bypass Tray

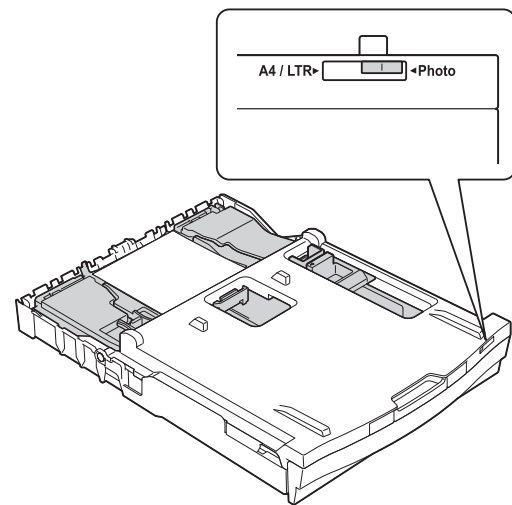
- 2 Press and slide the paper side guides (1) and paper length guide (2) to fit the paper size.



- 3 Put the photo paper into the photo bypass tray and gently adjust the paper side guides to the paper. Make sure the paper side guides touch the sides of the paper. Check that the paper is flat in the tray.

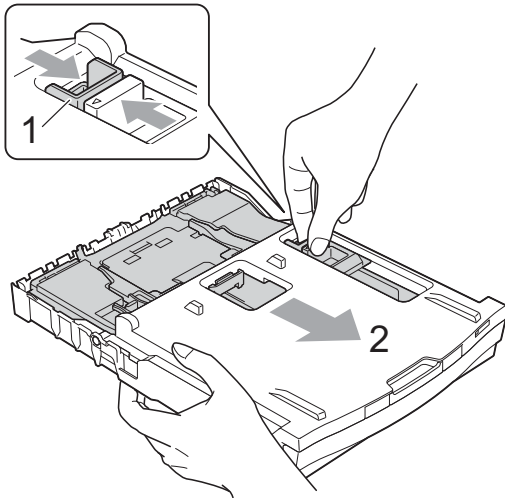
 **Note**

- Always make sure that the paper is not curled or wrinkled.
- The Photo indicator confirms that the photo bypass tray is in the *Photo* printing position. The A4/LTR indicator confirms that the photo bypass tray is in the *Normal* printing position.



- 4 When you have finished printing photos return the photo bypass tray to the *Normal* printing position. If you do not, you will get a *No Paper Fed* error when you use Letter or Legal size paper.

Squeeze the blue photo bypass tray release button (1) using your right index finger and thumb and pull the photo bypass tray back until it clicks (2).



! IMPORTANT

If you do not return the photo bypass tray to the *Normal* printing position after printing photos, you will get a *No Paper Fed* error when you use cut sheet paper.

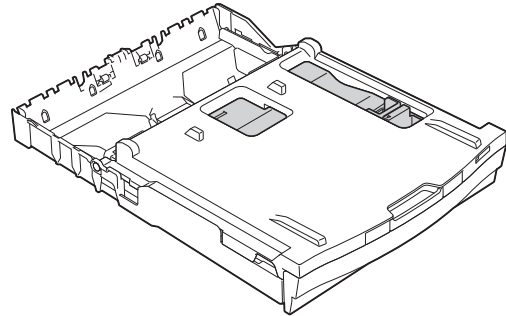


Photo Bypass Tray in the *Normal* printing position

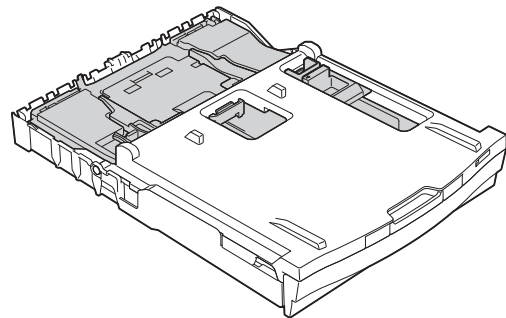


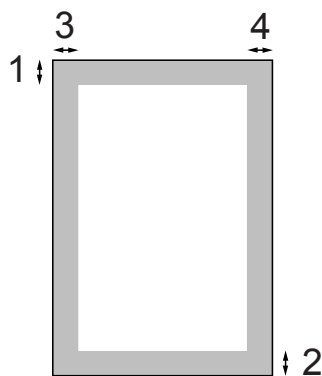
Photo Bypass Tray in the *Photo* printing position

Printable area

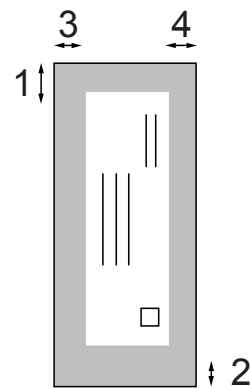
The printable area depends on the settings in the application you are using. The figures below show the unprintable areas on cut sheet paper and envelopes. The machine can print in the shaded areas of cut sheet paper only when the Borderless print feature is available and turned on.

- Software User's Guide: *Printing* (Windows®)
- Software User's Guide: *Printing and Faxing* (Macintosh)

Cut Sheet Paper



Envelopes



	Top (1)	Bottom (2)	Left (3)	Right (4)
Cut Sheet	0.12 in. (3 mm)	0.12 in. (3 mm)	0.12 in. (3 mm)	0.12 in. (3 mm)
Envelopes	0.87 in. (22 mm)	0.87 in. (22 mm)	0.12 in. (3 mm)	0.12 in. (3 mm)



Note

The Borderless feature is not available for envelopes and duplex printing.

Paper settings

Paper Type

To get the best print quality, set the machine for the type of paper you are using.

- 1 Press **Menu**.
- 2 Press **▲** or **▼** to display **General Setup**.
- 3 Press **General Setup**.
- 4 Press **▲** or **▼** to display **Paper Type**.
- 5 Press **Paper Type**.
- 6 Press **Plain Paper**, **Inkjet Paper**, **Brother BP71**, **Brother BP61**, **Other Glossy** or **Transparency**.
- 7 Press **Stop/Exit**.



Note

The machine ejects paper with printed surfaces face up onto the paper tray at the front of the machine. When you use transparencies or glossy paper, remove each sheet at once to prevent smudging or paper jams.

Paper Size

You can use six sizes of paper for copies: Letter, Legal, A4, A5, Executive and 4" × 6" (10 × 15 cm) and three sizes for printing faxes: Letter, Legal and A4. When you change the size of paper you load in the machine, you will need to change the paper size setting at the same time so your machine can fit an incoming fax on the page.

- 1 Press **Menu**.
- 2 Press **▲** or **▼** to display **General Setup**.
- 3 Press **General Setup**.
- 4 Press **▲** or **▼** to display **Paper Size**.
- 5 Press **Paper Size**.
- 6 Press **Letter**, **Legal**, **A4**, **A5**, **EXE** or **4"×6"**.
- 7 Press **Stop/Exit**.

Acceptable paper and other print media

The print quality can be affected by the type of paper you use in the machine.

To get the best print quality for the settings you have chosen, always set the Paper Type to match the type of paper you load.

You can use plain paper, inkjet paper (coated paper), glossy paper, transparencies and envelopes.

We recommend testing various paper types before buying large quantities.

For best results, use Brother paper.

- When you print on inkjet paper (coated paper), transparencies and glossy paper, be sure to choose the proper print media in the “**Basic**” tab of the printer driver or in the Paper Type setting of the machine’s menu. (See *Paper Type* >> page 18.)
- When you print on Brother Photo paper, load one extra sheet of the same photo paper in the paper tray. An extra sheet has been included in the paper package for this purpose.
- When you print on transparencies, load one extra sheet in the paper tray.
- When you use transparencies or photo paper, remove each sheet at once to prevent smudging or paper jams.
- Avoid touching the printed surface of the paper immediately after printing; the surface may not be completely dry and may stain your fingers.

Recommended print media

To get the best print quality, we suggest using Brother paper. (See the table below.)

We recommend using “3M Transparency Film” when you print on transparencies.

Brother paper

Paper Type	Item
Premium Plus Glossy Photo <ul style="list-style-type: none"> ■ Letter ■ 4" × 6" 	BP71GLTR BP71GP
Premium Glossy Photo <ul style="list-style-type: none"> ■ Letter ■ 4" × 6" 	BP61GLL (USA only) BP61GLP (USA only)
Matte Inkjet (Letter)	BP60ML (USA only)
Plain Inkjet <ul style="list-style-type: none"> ■ Letter 	BP60PL100 (USA only)

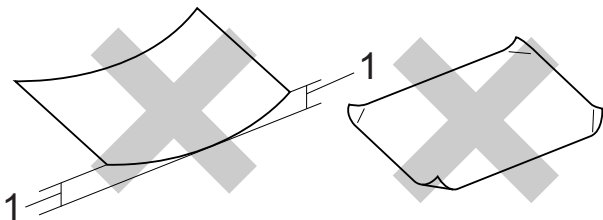
Handling and using print media

- Store paper in its original packaging and keep it sealed. Keep the paper flat and away from moisture, direct sunlight and heat.
- Avoid touching the shiny (coated) side of photo paper. Load photo paper with the shiny side facing down.
- Avoid touching either side of transparencies because they absorb water and perspiration easily, and this may cause decreased output quality. Transparencies designed for laser printers/copiers may stain your next document. Use only transparencies recommended for inkjet printing.

! IMPORTANT

DO NOT use the following kinds of paper:

- Damaged, curled, wrinkled, or irregularly shaped



1 0.08 in. (2 mm) or greater curl may cause jams to occur.

- Extremely shiny or highly textured
- Paper that cannot be arranged uniformly when stacked
- Paper made with a short grain

Paper capacity of the output paper tray cover

Up to 50 sheets of Letter, Legal or A4 20 lb (80 g/m²) paper.

- Transparencies and photo paper must be picked up from the output paper tray cover one page at a time to avoid smudging.

Choosing the right print media

Paper type and size for each operation

Paper Type	Paper Size		Usage			
			Fax	Copy	Photo Capture	Printer
Cut-Sheet	Letter	8 1/2 × 11 in. (215.9 × 279.4 mm)	Yes	Yes	Yes	Yes
	A4	8.3 × 11.7 in. (210 × 297 mm)	Yes	Yes	Yes	Yes
	Legal	8 1/2 × 14 in. (215.9 × 355.6 mm)	Yes	Yes	–	Yes
	Executive	7 1/4 × 10 1/2 in. (184 × 267 mm)	–	Yes	–	Yes
	JIS B5	7.2 × 10.1 in. (182 × 257 mm)	–	–	–	User Defined
	A5	5.8 × 8.3 in. (148 × 210 mm)	–	Yes	–	Yes
	A6	4.1 × 5.8 in. (105 × 148 mm)	–	–	–	Yes
Cards		4 × 6 in. (10 × 15 cm)	–	Yes	Yes	Yes
		3 1/2 × 5 in. (89 × 127 mm)	–	–	–	Yes
		5 × 7 in. (13 × 18 cm)	–	–	Yes	Yes
		5 × 8 in. (127 × 203 mm)	–	–	–	Yes
	Postcard 1	3.9 × 5.8 in. (100 × 148 mm)	–	–	–	User Defined
	Postcard 2 (Double)	5.8 × 7.9 in. (148 × 200 mm)	–	–	–	User Defined
Envelopes	C5 Envelope	6.4 × 9 in. (162 × 229 mm)	–	–	–	Yes
	DL Envelope	4.3 × 8.7 in. (110 × 220 mm)	–	–	–	Yes
	COM-10	4 1/8 × 9 1/2 in. (105 × 241 mm)	–	–	–	Yes
	Monarch	3 7/8 × 7 1/2 in. (98 × 191 mm)	–	–	–	Yes
	Y4 Envelope	4.1 × 9.3 in. (105 × 235 mm)	–	–	–	User Defined
Transparencies	Letter	8 1/2 × 11 in. (215.9 × 279.4 mm)	–	Yes	–	Yes
	A4	8.3 × 11.7 in. (210 × 297 mm)	–	Yes	–	Yes
	Legal	8 1/2 × 14 in. (215.9 × 355.6 mm)	–	Yes	–	Yes
	A5	5.8 × 8.3 in. (148 × 210 mm)	–	Yes	–	Yes

Paper weight, thickness and capacity

Paper Type		Weight	Thickness	No. of sheets
Cut Sheet	Plain Paper	17 to 32 lb (64 to 120 g/m ²)	3 to 6 mil (0.08 to 0.15 mm)	100 ¹
	Inkjet Paper	17 to 53 lb (64 to 200 g/m ²)	3 to 10 mil (0.08 to 0.25 mm)	20
	Glossy Paper	Up to 58 lb (Up to 220 g/m ²)	Up to 10 mil (Up to 0.25 mm)	20 ^{2 3}
Cards	Photo 4" × 6"	Up to 58 lb (Up to 220 g/m ²)	Up to 10 mil (Up to 0.25 mm)	20 ^{2 3}
	Index Card	Up to 32 lb (Up to 120 g/m ²)	Up to 6 mil (Up to 0.15 mm)	30
	Postcard	Up to 53 lb (Up to 200 g/m ²)	Up to 10 mil (Up to 0.25 mm)	30
Envelopes		20 to 25 lb (75 to 95 g/m ²)	Up to 20 mil (Up to 0.52 mm)	10
Transparencies		–	–	10

¹ Up to 100 sheets of plain paper 20 lb (80 g/m²).

² For Photo 4" × 6" paper and Photo L 3.5" × 5" paper, use the photo bypass tray (in USA) or the photo paper tray (in Canada). (See *Loading photo paper* ►► page 14.)

³ BP71 69 lb (260 g/m²) paper is especially designed for Brother inkjet machines.

3

Loading documents

How to load documents

You can send a fax, make copies, and scan from the ADF (automatic document feeder) and from the scanner glass.

Using the ADF

The ADF can hold up to 15 pages ¹ and feeds each sheet individually. Use 24 lb (90 g/m²) paper and always fan the pages before placing them in the ADF.

¹ The ADF can hold up to 20 pages, if you stagger the pages and meet the following conditions:
Temperature: 68 - 78.8°F (20 - 26°C)
Humidity: 40 - 50% without condensation
Paper: Using either BP60MPLTR or XEROX4200 20 lb paper

Document Sizes and Weights

Length:	5.8 to 14 in. (148 to 355.6 mm)
Width:	5.8 to 8.5 in. (148 to 215.9 mm)
Weight:	17 to 24 lb (64 to 90 g/m ²)

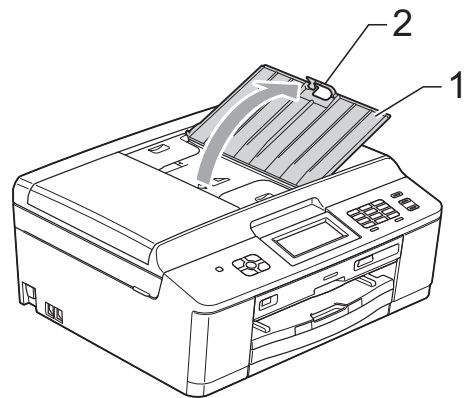
How to load documents

! IMPORTANT

- DO NOT pull on the document while it is feeding.
- DO NOT use paper that is curled, wrinkled, folded, ripped, stapled, paper clipped, pasted or taped.
- DO NOT use cardboard, newspaper or fabric.

Make sure documents with ink or correction fluid are completely dry.

- 1 Unfold the ADF Document Support (1) and the ADF Document Support Flap (2).

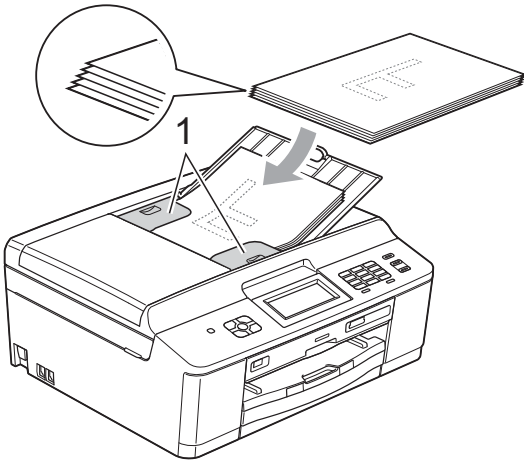


Note

DO NOT use the ADF Document Support Flap for Legal size paper.

- 2 Fan the pages well.

- Adjust the paper guides (1) to fit the width of your document.



- Place your document, **face down, top edge first** in the ADF underneath the guides until the LCD screen shows **ADF Ready** and you feel it touch the feed rollers.

! IMPORTANT

DO NOT leave a thick document on the scanner glass. If you do this, the ADF may jam.

Using the scanner glass

You can use the scanner glass to fax, copy or scan pages of a book or one page at a time.

Document Sizes Supported

Length:	Up to 11.7 in. (297 mm)
Width:	Up to 8.5 in. (215.9 mm)
Weight:	Up to 4.4 lb (2 kg)

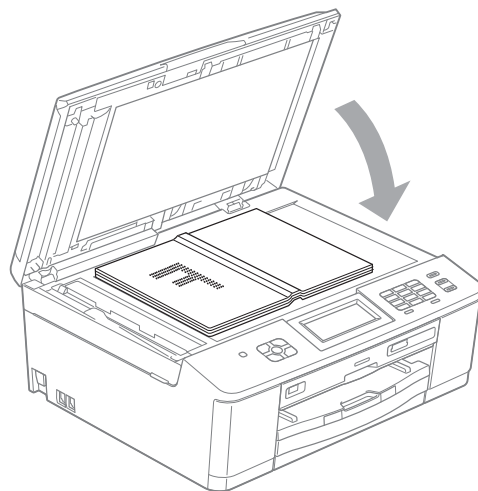
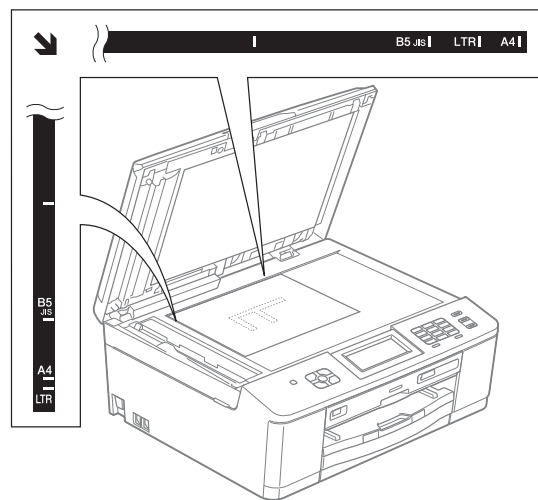
How to load documents



Note

To use the scanner glass, the ADF must be empty.

- Lift the document cover.
- Using the document guidelines on the left and top, place the document **face down** in the upper left corner of the scanner glass.



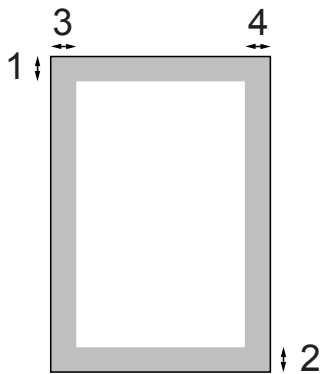
- Close the document cover.

! IMPORTANT

If you are scanning a book or thick document, DO NOT slam the cover down or press on it.

Unscannable area

The scannable area depends on the settings in the application you are using. The figures below show unscannable areas.



Usage	Document Size	Top (1) Bottom (2)	Left (3) Right (4)
Fax	Letter	0.12 in. (3 mm)	0.16 in. (4 mm)
	Legal		0.12 in. ¹ (3 mm)
	A4		
Copy	All paper sizes		0.12 in. (3 mm)
Scan			


¹ The unscannable area is 0.04 in (1 mm) when you use the ADF.

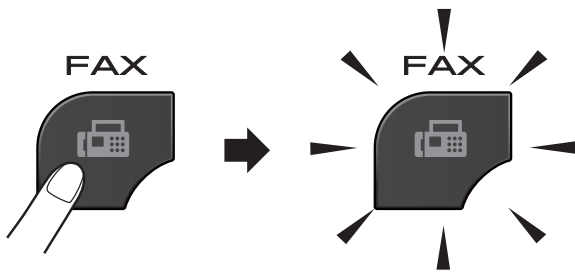
4

Sending a fax

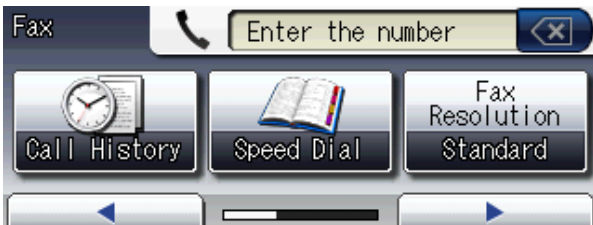
How to send a fax

The following steps show how to send a fax.

- 1 When the machine is idle, the date and time appear on the LCD. When you want to send a fax, or change fax send or receive settings, press the  (FAX) key to illuminate it in blue.



- The LCD shows:



- 2 Do one of the following to load your document:
 - Place the document *face down* in the ADF. (See *Using the ADF* >> page 23.)
 - Load your document *face down* on the scanner glass. (See *Using the scanner glass* >> page 24.)



Note

- To send color faxes with multiple pages use the ADF.
- If you send a black & white fax from the ADF while the memory is full, it will be sent in real time.
- You can use the scanner glass to fax pages of a book one at a time. The document can be up to Letter or A4 size.
- Since you can only scan one page at a time, it is easier to use the ADF if you are sending a multiple-page document.

- 3 You can change the following fax sending settings. Press **FAX** and then press ◀ or ▶ to scroll through the fax settings. When the setting you want is displayed, press it and choose your option.

(Basic User's Guide)

For details about changing the following fax sending settings, see pages 28 to 29.

- Glass ScanSize
- Color Fax Transmission
- Preview Outgoing Fax
- Transmission Verification Report (Setup)

(Advanced User's Guide)

For more advanced fax sending operations and settings

➤➤Advanced User's Guide: *Sending a fax*

- Contrast
- Fax Resolution
- Set New Defaults
- Factory Reset
- Faxing at End of Call
- Broadcasting
- Real Time Transmission
- Overseas Mode
- Delayed Fax
- Batch Transmission
- Canceling Waiting Jobs
- Polled Transmit

- 4 Enter the fax number.

Using the dial pad

Using Speed Dial

- Speed Dial

Using call history

- Outgoing Call
- Caller ID hist.



Note

You can preview a fax message before sending it by setting *Preview* to *On*. (See *How to preview an outgoing fax* ➤➤ page 28.)

4

- 5 Press **Black Start** or **Color Start**.

Faxing from the ADF

- The machine starts scanning and sending the document.

Faxing from the scanner glass

- If you pressed **Black Start**, the machine starts scanning the first page. Go to step 6.
- If you pressed **Color Start**, the LCD asks if you want to send a color fax. Press *Yes* to confirm. The machine starts scanning and sending the document.

- 6 When the LCD asks you *Next Page?*, do one of the following:

- To send a single page, press *No* (or press **Black Start** again).
The machine starts sending the document.
- To send more than one page, press *Yes* and go to step 7.



- 7 Place the next page on the scanner glass.
Press **Black Start** or **Color Start**.
The machine starts scanning the page. (Repeat steps 6 and 7 for each additional page.)

Stop faxing

To stop faxing, press **Stop/Exit**.

Setting scanner glass size for faxing

When documents are A4 size, you need to set the Scan Size to A4. If you do not, the bottom portion of the faxes will be missing.

- 1 Press  (**FAX**).
- 2 Press ◀ or ▶ to display `Advanced Settings`.
- 3 Press `Advanced Settings`.
- 4 Press ▲ or ▼ to display `Glass ScanSize`.
- 5 Press `Glass ScanSize`.
- 6 Press `Letter` or `A4`.
- 7 Press .



Note

- You can save the setting you use most often by setting it as the default. (▶▶*Advanced User's Guide: Setting your changes as the new default*)
- This setting is only available for sending documents from the scanner glass.

Color fax transmission

Your machine can send a color fax to machines that support this feature.



Color faxes cannot be stored in the machine's memory. When you send a color fax, the machine will send it in real time (even if `Real Time TX` is set to `Off`).

Canceling a fax in progress

If you want to cancel a fax while the machine is scanning, dialing or sending, press **Stop/Exit**.

How to preview an outgoing fax



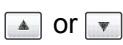
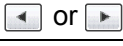




You can preview a fax message before you send it. You must set `Real Time Transmission` and `Polling RX` to `Off` before you use this feature.

- 1 Press  (**FAX**).
- 2 Press ◀ or ▶ to display `Advanced Settings`.
- 3 Press `Advanced Settings`.
- 4 Press ▲ or ▼ to display `Preview`.
- 5 Press `Preview`.
- 6 Press `On`.
- 7 Load the document.
- 8 Press .
- 9 Enter the fax number using the dial pad or `Speed Dial`.

10 Press **Black Start**.

The machine starts scanning the document and the outgoing fax appears on the LCD.

When the fax is displayed, press **Menu** on the Touchscreen and the following buttons will appear. Press the button you want to use to perform an operation.

Button	Description
	Enlarge the fax.
	Reduce the fax.
	Scroll vertically.
	Scroll horizontally.
	Rotate the fax clockwise.
	Go back to the previous page.
	Go to the next page.
	Close the preview table.

**Note**

To send a color fax do not use Fax Preview.

11 Press **Black Start**.**Note**

The fax message in the memory will be sent and then erased when you press **Black Start**.

Transmission Verification Report

You can use the Transmission Verification Report as proof that you sent a fax. This report lists the sender's name or fax number, the time and date of transmission, duration of transmission, number of pages sent, and whether or not the transmission was successful.

There are several settings available for the Transmission Verification Report:

- **On:** Prints a report after every fax you send.
- **On+Image:** Prints a report after every fax you send. A portion of the fax's first page appears on the report.
- **Off:** Prints a report if your fax is unsuccessful due to a transmission error. The report will also print if you send a color fax that the receiving machine prints in black & white. **Off** is the default setting.
- **Off+Image:** Prints a report if your fax is unsuccessful due to a transmission error. The report will also print if you send a color fax that the receiving machine prints in black & white. A portion of the fax's first page appears on the report.

- 1 Press **Menu**.
- 2 Press **▲** or **▼** to display **Fax**.
- 3 Press **Fax**.
- 4 Press **▲** or **▼** to display **Report Setting**.
- 5 Press **Report Setting**.
- 6 Press **Transmission**.
- 7 Press **On**, **On+Image**, **Off** or **Off+Image**.
- 8 Press **Stop/Exit**.

**Note**

- If you choose **On+Image** or **Off+Image** the image will only appear on the Transmission Verification Report if **Real Time Transmission** is set to **Off**. (▶▶Advanced User's Guide: *Real Time Transmission*)
- If your transmission is successful, "OK" will appear next to "RESULT" on the Transmission Verification Report. If transmission is not successful, "NG" will appear next to "RESULT."

5

Receiving a fax

Receive Modes

Choose the correct Receive Mode

The correct Receive Mode is determined by the external devices and telephone subscriber services (Voice Mail, Distinctive Ring, etc.) you will be using on the same line as the Brother machine.

Will you be using a Distinctive Ring number for receiving faxes?

Brother uses the term “Distinctive Ring” but different telephone companies may have other names for this service, such as Custom Ringing, RingMaster, Personalized Ring, Teen Ring, Ident-A-Ring, Ident-A-Call, Data Ident-A-Call, Smart Ring and SimpleBiz Fax & Alternate Number Ringing. (See *Distinctive Ring* >> page 38 for instructions on setting up your machine using this feature.)

Will you be using Voice Mail on the same telephone line as your Brother machine?

If you have Voice Mail on the same telephone line as your Brother machine, there is a strong possibility that Voice Mail and the Brother machine will conflict with each other when receiving incoming calls. (See *Voice Mail* >> page 37 for instructions on setting up your machine using this service.)

Will you be using a Telephone Answering Device on the same telephone line as your Brother machine?

Your external telephone answering device (TAD) will automatically answer every call. Voice messages are stored on the external TAD and fax messages are printed. Choose `External TAD` as your receive mode. (See *Connecting an external TAD (telephone answering device)* >> page 40.)

Will you be using your Brother machine on a dedicated fax line?

Your machine automatically answers every call as a fax. Choose `Fax Only` as your receive mode. (See *Fax Only* >> page 32.)

Will you be using your Brother machine on the same line as your telephone?

Do you want to receive voice calls and faxes automatically?

`Fax/Tel` mode is used when sharing the Brother machine and your telephone on the same line. Choose `Fax/Tel` as your receive mode. (See *Fax/Tel* >> page 32.)

Important Note: You cannot receive voice messages on either Voice Mail or an answering machine with `Fax/Tel` mode.

Do you expect to receive very few faxes?

Choose `Manual` as your receive mode. You control the telephone line and must answer every call yourself. (See *Manual* >> page 32.)

To set the receive mode follow the instructions below:

- 1 Press Menu.
- 2 Press ▲ or ▼ to display Initial Setup.
- 3 Press Initial Setup.
- 4 Press ▲ or ▼ to display Receive Mode.
- 5 Press Receive Mode.
- 6 Press Fax Only, Fax/Tel, External TAD or Manual.
- 7 Press **Stop/Exit**.
The LCD will display the current receive mode.

Using Receive Modes

Some receive modes answer automatically (**Fax Only** and **Fax/Tel**). You may want to change the ring delay before using these modes. (See *Ring Delay* >> page 33.)

Fax Only

Fax Only mode will automatically answer every call as a fax call.

Fax/Tel

Fax/Tel mode helps you automatically manage incoming calls, by recognizing whether they are fax or voice calls and handling them in one of the following ways:

- Faxes will be automatically received.
- Voice calls will start the F/T Ring to tell you to pick up the line. The F/T Ring is a fast pseudo/double-ring made by your machine.

(Also see *F/T Ring Time (Fax/Tel mode only)* >> page 33 and *Ring Delay* >> page 33.)

Manual

Manual mode turns off all automatic answering functions unless you are using the Distinctive Ring feature.

To receive a fax in Manual mode lift the handset of the external telephone or press **Hook**. When you hear fax tones (short repeating beeps), press **Black Start** or **Color Start** and choose *Receive*. You can also use the Easy Receive feature to receive faxes by lifting a handset on the same line as the machine.

(Also see *Easy Receive* >> page 34.)

External TAD

External TAD mode lets an external answering device manage your incoming calls. Incoming calls will be handled in one of the following ways:

- Faxes will be automatically received.
- Voice callers can record a message on the external TAD.

(For more information see *Connecting an external TAD (telephone answering device)* >> page 40.)

Receive Mode settings

Ring Delay

The Ring Delay sets the number of times the machine rings before it answers in **Fax Only** or **Fax/Tel** mode. If you have external or extension telephones on the same line as the machine, keep the ring delay setting of 4 rings.

(See *Using external and extension telephones* >> page 43 and *Easy Receive* >> page 34.)

- 1 Press **Menu**.
- 2 Press **▲** or **▼** to display **Fax**.
- 3 Press **Fax**.
- 4 Press **▲** or **▼** to display **Setup Receive**.
- 5 Press **Setup Receive**.
- 6 Press **▲** or **▼** to display **Ring Delay**.
- 7 Press **Ring Delay**.
- 8 Press the number of times you want the machine to ring before it answers (0, 1, 2, 3 or 4).
If you choose 0, the machine will answer immediately and the line will not ring at all.
- 9 Press **Stop/Exit**.

F/T Ring Time (Fax/Tel mode only)

When somebody calls your machine, you and your caller will hear the normal telephone ring. The number of rings is set by the ring delay setting.

If the call is a fax, then your machine will receive it; however, if it is a voice call the machine will sound the F/T Ring (a fast pseudo/double-ring) for the time you have set in the F/T Ring Time setting. If you hear the F/T Ring it means that you have a voice caller on the line.

Because the F/T Ring is made by the machine, extension and external telephones will *not* ring; however, you can still answer the call on any telephone. (For more information see *Using remote codes* >> page 43.)

- 1 Press **Menu**.
- 2 Press **▲** or **▼** to display **Fax**.
- 3 Press **Fax**.
- 4 Press **▲** or **▼** to display **Setup Receive**.
- 5 Press **Setup Receive**.
- 6 Press **▲** or **▼** to display **F/T Ring Time**.
- 7 Press **F/T Ring Time**.
- 8 Press how long the machine will ring to alert you that you have a voice call (20, 30, 40 or 70 seconds).
- 9 Press **Stop/Exit**.



Note

Even if the caller hangs up during the pseudo/double-ringing, the machine will continue to ring for the set time.

Easy Receive

If Easy Receive is On:

The machine can receive a fax automatically, even if you answer the call. When you see *Receiving* on the LCD or hear a click on the phone line through the handset you are using, just replace the handset. Your machine will do the rest.

If Easy Receive is Off:

If you are at the machine and answered a call first by lifting the external handset, press **Black Start** or **Color Start**, and then press *Receive* to receive.

If you answered at an extension telephone press * **5 1**. (See *Using external and extension telephones* >> page 43.)



Note

- If this feature is set to *On*, but your machine does not connect a fax call when you lift an extension or external telephone, press the fax receive code * **5 1**.
- If you send faxes from a computer on the same telephone line and the machine intercepts them, set *Easy Receive* to *Off*.

- 1 Press *Menu*.
- 2 Press **▲** or **▼** to display *Fax*.
- 3 Press *Fax*.
- 4 Press **▲** or **▼** to display *Setup Receive*.
- 5 Press *Setup Receive*.
- 6 Press **▲** or **▼** to display *Easy Receive*.
- 7 Press *Easy Receive*.
- 8 Press *On* (or *Off*).
- 9 Press **Stop/Exit**.

Fax Preview (Black & White only)

How to preview a received fax

You can view received faxes on the LCD by pressing the *Fax Preview* button on the LCD. When the machine is in *Ready* mode, a popup message will appear on the LCD to alert you of new faxes.

Setting Fax Preview

- 1 Press *Menu*.
- 2 Press **▲** or **▼** to display *Fax*.
- 3 Press *Fax*.
- 4 Press **▲** or **▼** to display *Setup Receive*.
- 5 Press *Setup Receive*.
- 6 Press **▲** or **▼** to display *Fax Preview*.
- 7 Press *Fax Preview*.
- 8 Press *On* (or *Off*).
- 9 Press *Yes*.
- 10 The LCD will tell you that any future faxes will not be printed as you receive them. Press *Yes*.
- 11 Press **Stop/Exit**.



Note

When *Fax Preview* is turned on, a backup copy of received faxes will not be printed for *Fax Forwarding* and *PC-Fax Receiving* operations, even if you have set *Backup Print* to *On*.

Using Fax Preview

When you receive a fax, you will see a pop-up message on the LCD. (For example:

New Fax:01 Press [Fax Preview])

- 1 Press **Fax Preview**.
The LCD will display the new fax list.

 **Note**

You can also see your old fax list by pressing the **Old Fax** tab on the LCD. Press the **New Fax** tab to go back to your new fax list.



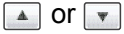
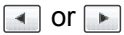







- 2 Press **▲** or **▼** to display the fax number of the fax you want to see.

- 3 Press the fax you want to see.

 **Note**


- If your fax is large there may be a delay before it is displayed on the LCD.
- The LCD will show the current page number and total pages of the fax message. When your fax message is over 99 pages the total number of pages will be shown as "XX."

The buttons will appear on the LCD and you can perform the operations shown below.

Button	Description
	Enlarge the fax.
	Reduce the fax.
	Scroll vertically.
	Scroll horizontally.
	Rotate the fax clockwise.
	Delete the fax. Press Yes to confirm.
	Go back to the previous page.
	Go to the next page.
	Go back to the fax list.
	Print the fax. Do one of the following: <ul style="list-style-type: none"> ■ Press Print All Pages to print the whole message. ■ Press Print Displayed Only to print only the displayed page. ■ Press Print From Displayed to print from the displayed page to the last page.
	Close the preview table. If you want to show the buttons on the LCD again, press More .

- 4 Press **Stop/Exit**.

How to print a fax

- 1 Press **Fax Preview**.
- 2 Press the fax you want to view.
- 3 Press  (**Print**).
 - If the fax is multiple pages, go to step 4.
 - If the fax is a single page it will start printing. Go to step 5.
- 4 Do one of the following:
 - Press **Print All Pages** to print all pages of the fax. Go to step 5.
 - Press **Print Displayed Only** to print the displayed page. Go to step 6.
 - Press **Print From Displayed** to print the displayed page to the last page. Go to step 6.
- 5 Do one of the following:
 - To delete the fax, press **Yes**.
 - To keep the fax in the memory, press **No**.
- 6 Press **Stop/Exit**.

How to print all faxes in the list

- 1 Press **Fax Preview**.
- 2 Press **More**.
- 3 Press **Print All**.
- 4 Press **Stop/Exit**.

How to delete all faxes in the list

- 1 Press **Fax Preview**.
- 2 Press **More**.
- 3 Press **Delete All**. Press **Yes** to confirm.
- 4 Press **Stop/Exit**.

Turning off Fax Preview

- 1 Press **Fax Preview**.
- 2 Press **More**.
- 3 Press **Turn Off Fax Preview**.
- 4 Press **Yes** to confirm.
- 5 If there are faxes stored in the memory, do one of the following:
 - If you do not want to print the stored faxes, press **Continue**. Press **Yes** to confirm. Your faxes will be deleted.
 - If you want to print all the stored faxes, press **Print all faxes**.
 - If you do not wish to turn off Fax Preview, press **Cancel**. Press **Stop/Exit**.

Telephone services

Your machine supports the Caller ID and Distinctive Ring subscriber telephone services that some telephone companies offer.

Features like Voice Mail, Call Waiting, Call Waiting/Caller ID, RingMaster, answering services, alarm systems or other custom features on one telephone line may create problems with the operation of your machine. If you have Voice Mail on your telephone line, please read the following carefully.

Voice Mail

If you have Voice Mail on the same telephone line as your Brother machine, Voice Mail and the Brother machine will conflict with each other when receiving incoming calls.

For example, if your Voice Mail is set to answer after 4 rings and your Brother machine is set to answer after 2 rings, then your Brother machine will answer first. This will prevent callers from being able to leave a message in your Voice Mail.

Similarly, if your Brother machine is set to answer after 4 rings and your Voice Mail is set to answer after 2 rings, then your Voice Mail will answer first. This will prevent your Brother machine from being able to receive an incoming fax, since Voice Mail cannot transfer the incoming fax back to the Brother machine.

To avoid conflicts between your Brother machine and your Voice Mail service, do one of the following:

Get the Distinctive Ring service from your telephone company. Distinctive Ring is a feature of your Brother machine that allows a person with one line to receive fax and voice calls through two different phone numbers on that one line.

Brother uses the term “Distinctive Ring,” but telephone companies market the service under a variety of names, such as Custom Ringing, Personalized Ring, Smart Ring, RingMaster, Ident-A-Ring, Ident-A-Call, Data Ident-A-Call, Teen Ring, and SimpleBiz Fax & Alternate Number Ringing. This service establishes a second telephone number on the same line as your existing telephone number, and each number has its own ring pattern. Typically, the original number rings with the standard ring pattern and is used for receiving voice calls, and the second number rings with a different ring pattern and is used for receiving faxes. (See *Distinctive Ring* >> page 38.)

OR

Set your Brother machine’s Receive Mode to “Manual.” Manual Mode requires that you answer every incoming call if you want to be able to receive a fax. If the incoming call is a telephone call, then complete the call as you normally would. If you hear fax-sending tones you must transfer the call to the Brother machine. (See *Using external and extension telephones* >> page 43.) Unanswered fax and voice calls will go to your Voice Mail. (To set the machine in **MANUAL** Mode, see *Choose the correct Receive Mode* >> page 30.)

Distinctive Ring

Distinctive Ring is a function of your Brother machine that allows a person with one line to receive fax and voice calls through two different phone numbers on that one line. Brother uses the term “Distinctive Ring,” but telephone companies market the service under a variety of names, such as Smart Ring, Ring Master or Ident-a-Ring. This service establishes a second telephone number on the same line as your existing telephone number, and each number has its own ring pattern. Typically, the original number rings with the standard ring pattern and is used for receiving voice calls, and the second number rings with a different ring pattern and is used for receiving faxes.



Note

- You must pay for your telephone company's Distinctive Ring service before you program the machine to work with it.
- Please call your telephone company for availability and rates.

What does your telephone company's “Distinctive Ring” do?

Your telephone company's Distinctive Ring service allows you to have more than one number on the same telephone line. **If you need more than one telephone number, it is cheaper than paying for an extra line.** Each telephone number has its own distinctive ring pattern, so you will know which telephone number is ringing. This is one way you can have a separate telephone number for your machine.

What does Brother's “Distinctive Ring” do?

The Brother machine has a Distinctive Ring feature that allows you to use your machine to take full advantage of the telephone company's Distinctive Ring service. The new telephone number on your line can just receive faxes.

Do you have Voice Mail?

If you have Voice Mail on the telephone line that you will install your new machine on, *there is a strong possibility that Voice Mail and the machine will conflict with each other while receiving incoming calls.* **However, the Distinctive Ring feature allows you to use more than one number on your line, so both Voice Mail and the machine can work together without any problems.** If each one has a separate telephone number, neither will interfere with the other's operations.

If you decide to get Distinctive Ring service from the telephone company, you will need to follow the directions in *Registering the Distinctive Ring pattern* to register the new Distinctive Ring pattern they give you. This is so your machine can recognize its incoming calls.







Note

You can change or cancel the Distinctive Ring pattern at any time. You can switch it off temporarily, and turn it back on later. When you get a new fax number, make sure you reset this feature.

Before you choose the ring pattern to register

You can only register one Distinctive Ring pattern with the machine. Some ring patterns cannot be registered. The ring patterns below are supported by your Brother machine. Register the one your telephone company gives you.

Ring Pattern	Rings	
1	long-long	
2	short-long-short	
3	short-short-long	
4	very long (normal pattern)	

**Note**

Ring Pattern #1 is often called Short-Short and is the most commonly used.

If the ring pattern you received is not on this chart, **please call your telephone company and ask for one that is shown.**

- The machine will only answer calls to its registered number.
- The first two rings are silent on the machine. This is because the fax must “listen” to the ring pattern (to compare it to the pattern that was “registered”). (Other telephones on the same line will ring.)
- If you program the machine properly, it will recognize the registered ring pattern of the “fax number” within 2 ring patterns and then answer with a fax tone. When the “voice number” is called, the machine will not answer.

Registering the Distinctive Ring pattern

Very Important !

After you have set the Distinctive Ring feature to **On**, your Distinctive Ring number will receive faxes automatically. The receive mode is automatically set to **Manual** and you cannot change it to another receive mode while Distinctive Ring is set to **On**. This ensures the Brother machine will only answer the Distinctive Ring number and will not interfere when your main telephone number is called. When Distinctive Ring is on, the LCD will show **D/R** as the Receive Mode.

- 1 Press **Menu**.
- 2 Press **▲** or **▼** to display **Fax**.
- 3 Press **Fax**.
- 4 Press **▲** or **▼** to display **Miscellaneous**.
- 5 Press **Miscellaneous**.

- 6 Press **Distinctive**.
- 7 Press **Set**.
- 8 Press the number of the stored ring pattern you want to use.
Press **OK**.
(You will hear each ring pattern as you press its number. Make sure you choose the pattern that the telephone company gave you.)
- 9 Press **Stop/Exit**.
Distinctive Ring is now set to **On**.

Turning off Distinctive Ring

- 1 Press **Menu**.
- 2 Press **▲** or **▼** to display **Fax**.
- 3 Press **Fax**.
- 4 Press **▲** or **▼** to display **Miscellaneous**.
- 5 Press **Miscellaneous**.
- 6 Press **Distinctive**.
- 7 Press **Off**.
- 8 Press **Stop/Exit**.

**Note**

If you turn off Distinctive Ring, the machine will stay in **Manual** receive mode. You will need to set the Receive Mode again. (See *Choose the correct Receive Mode* ►► page 30.)

Connecting an external TAD (telephone answering device)

You may choose to connect an external answering device. However, when you have an **external** TAD on the same telephone line as the machine, the TAD answers all calls and the machine “listens” for fax calling (CNG) tones. If it hears them, the machine takes over the call and receives the fax. If it does not hear CNG tones, the machine lets the TAD continue playing your outgoing message so your caller can leave you a voice message.

The TAD must answer within four rings (the recommended setting is two rings). The machine cannot hear CNG tones until the TAD has answered the call, and with four rings there are only 8 to 10 seconds of CNG tones left for the fax “handshake”. Make sure you carefully follow the instructions in this guide for recording your outgoing message. We do not recommend using the toll saver feature on your external answering machine if it exceeds five rings.

Note

- If you do not receive all your faxes, shorten the Ring Delay setting on your external TAD.

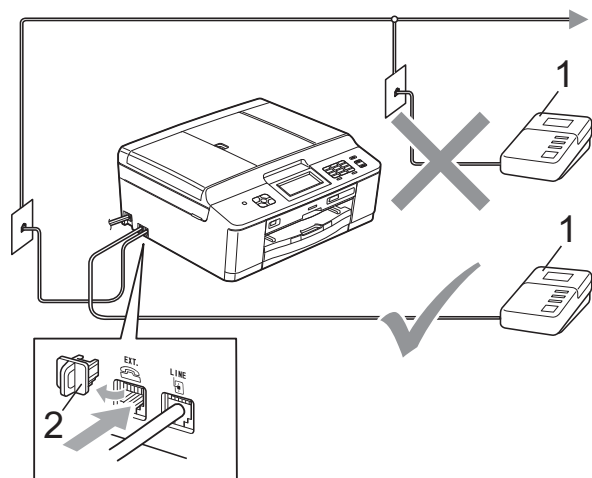
• If you subscribe to your telephone company’s Distinctive Ring Service:

You may connect an external TAD to a separate wall jack only if you subscribe to your telephone company’s Distinctive Ring service, have registered the distinctive ring pattern on your machine, and use that number as a fax number. The recommended setting is at least four rings on the external TAD when you have the telephone company’s Distinctive Ring Service. You cannot use the Toll Saver setting.

• If You Do Not Subscribe to the Distinctive Ring Service:

You must plug your TAD into the EXT. jack of your machine. If your TAD is plugged into a wall jack, both your machine and the TAD will try to control the telephone line. (See the illustration below.)

- Before you connect the external TAD, remove the protective cap (2) from the EXT. jack on the machine.



1 TAD

2 Protective Cap

When the TAD answers a call, the LCD shows *Telephone*.

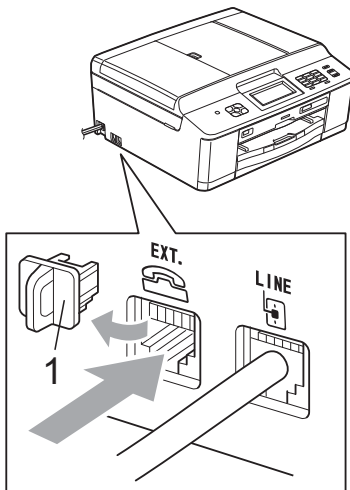
! IMPORTANT

DO NOT connect a TAD elsewhere on the same telephone line.

Connections

The external TAD must be plugged into the jack labeled EXT. Your machine cannot work properly if you plug the TAD into a wall jack (unless you are using Distinctive Ring).

- 1 Plug the telephone line cord from the telephone wall jack into the jack labeled LINE.
- 2 Remove the protective cap (1) from the jack labeled EXT., and then plug the telephone line cord from the external TAD into the EXT. jack. (Make sure this cord is connected to the TAD at the TAD's telephone line jack, and not its handset jack.)



- 3 Set your external TAD to four rings or less. (The machine's Ring Delay setting does not apply.)
- 4 Record the outgoing message on your external TAD.
- 5 Set the TAD to answer calls.
- 6 Set the Receive Mode to External TAD. (See *Choose the correct Receive Mode* >> page 30.)

Recording an outgoing message (OGM) on an external TAD

Timing is important in recording this message. The way you record this message will affect both manual and automatic fax reception.

- 1 Record 5 seconds of silence at the beginning of your message. (This allows your machine time to listen for the fax CNG tones of automatic transmissions before they stop.)
- 2 Limit your speaking to 20 seconds.
- 3 End your 20-second message by giving your Fax Receive Code for people sending manual faxes. For example: "After the beep, leave a message or send a fax by pressing * 5 1 and **Start**."



Note

We recommend beginning your OGM with an initial 5-second silence because the machine cannot hear fax tones over a resonant or loud voice. You may try omitting this pause, but if your machine has trouble receiving, then you must re-record the OGM to include it.

Multi-line connections (PBX)

We suggest you ask the company who installed your PBX to connect your machine. If you have a multi-line system we suggest you ask the installer to connect the unit to the last line on the system. This prevents the machine being activated each time the system receives telephone calls. If all incoming calls will be answered by a switchboard operator we recommend that you set the Receive Mode to `Manual`.

We cannot guarantee that your machine will operate properly under all circumstances when connected to a PBX. Any difficulties with sending or receiving faxes should be reported first to the company who handles your PBX.

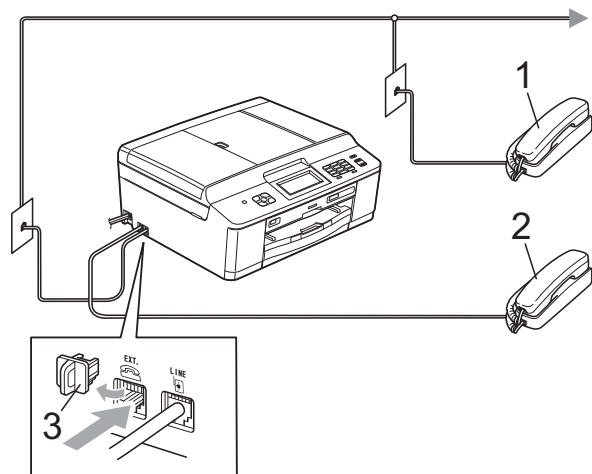
External and extension telephones

Connecting an external or extension telephone

You can connect a separate telephone to your machine as shown in the diagram below.

Connect the telephone line cord to the jack labeled `EXT`.

Before you connect the external telephone, remove the protective cap (3) from the `EXT` jack on the machine.



- 1 Extension telephone
- 2 External telephone
- 3 Protective Cap

When you are using a telephone on the same phone line, the LCD shows `Telephone`.

Using external and extension telephones

Using extension telephones

If you answer a fax call at an extension telephone, you can make your machine receive the fax by pressing the Fax Receive Code * 5 1.

If the machine answers a voice call and pseudo/double-rings for you to take over, you can take the call at an extension telephone by pressing the Telephone Answer Code # 5 1. (See *F/T Ring Time (Fax/Tel mode only)* >> page 33.)

Using an external telephone (connected to the EXT. jack of the machine)

If you answer a fax call at the external telephone connected to the EXT. jack of the machine, you can make the machine receive the fax by pressing **Black Start** and choosing *Receive*.

You can also use the Fax Receive code * 5 1.

If the machine answers a voice call and pseudo/double-rings for you to take over, you can take the call at the external telephone by pressing **Hook**.

If you answer a call and no one is on the line:

You should assume that you're receiving a manual fax.

Press * 5 1 and wait for the chirp or until the LCD shows *Receiving*, and then hang up.



Note

You can also use the Easy Receive feature to make your machine automatically take the call. (See *Easy Receive* >> page 34.)

Using a non-Brother cordless external telephone

If your non-Brother cordless telephone is connected to the EXT. jack of the machine and you typically carry the cordless handset elsewhere, it is easier to answer calls during the Ring Delay.

If you let the machine answer first, you will have to go to the machine so you can press **Hook** to send the call to the cordless handset.

Using remote codes

Fax Receive code

If you answer a fax call on an extension telephone, you can tell your machine to receive it by dialing the Fax Receive Code * 5 1. Wait for the chirping sounds and then replace the handset. (See *Easy Receive* >> page 34.)

If you answer a fax call at the external telephone connected to the EXT. jack of the machine, you can make the machine receive the fax by pressing **Black Start** and choosing *Receive*.

Telephone Answer Code

If you receive a voice call and the machine is in Fax/Tel mode, it will start to sound the F/T (pseudo/double) ring after the initial ring delay. If you pick up the call on an extension telephone you can turn the F/T Ring off by pressing # 5 1 (make sure you press this *between* the rings).

If the machine answers a voice call and pseudo/double-rings for you to take over, you can take the call at the external telephone connected to the EXT. jack of the machine by pressing **Hook**.

Changing the remote codes

The preset Fax Receive Code is * **5 1**. The preset Telephone Answer Code is # **5 1**. If you want to, you can replace them with your own codes.

- 1 Press **Menu**.
- 2 Press **▲** or **▼** to display **Fax**.
- 3 Press **Fax**.
- 4 Press **▲** or **▼** to display **Setup Receive**.
- 5 Press **Setup Receive**.
- 6 Press **▲** or **▼** to display **Remote Codes**.
- 7 Press **Remote Codes**.
- 8 Press **On** (or **Off**).
- 9 Do one of the following:
 - If you want to change the Fax Receive Code, enter the new code.
Press **OK**. Go to step 10.
 - If you do not want to change the Fax Receive Code, press **OK**. Go to step 10.
- 10 Do one of the following:
 - If you want to change the Telephone Answer Code, enter the new code.
Press **OK**. Go to step 11.
 - If you do not want to change the Telephone Answer Code, press **OK**.
Go to step 11.
- 11 Press **Stop/Exit**.



Note

- If you are always disconnected when accessing your external TAD remotely, try changing the Fax Receive Code and Telephone Answer Code to another three-digit code (such as **###** and **999**).
- Remote Codes might not work with some telephone systems.




How to dial

Manual dialing

Press all of the digits of the fax or telephone number.



Speed Dialing

- 1 Press . Or, you can press  (FAX) and then press Speed Dial.
- 2 Press the number you want to call. You can also display the numbers in alphabetical order by pressing  on LCD.



Note

If the LCD shows `Not Registered` when you enter a Speed Dial number that has not been stored at this location.

- 3 To send a fax, press `Send a fax` and go to step 4. The machine dials the telephone number.
- 4 Press **Black Start** or **Color Start**. The machine scans and sends the fax.

Fax Redial

If you are sending a fax manually and the line is busy, press **Hook**, **Redial/Pause**, and then press **Black Start** or **Color Start** to try again.

Redial/Pause only works if you dialed from the control panel. *If you are sending a fax automatically* and the line is busy, the machine will automatically redial once after five minutes.

- 1 Press **Redial/Pause**.
- 2 Press the number you want to redial.
- 3 Press `Send a fax`.
- 4 Press **Black Start** or **Color Start**.



Note

In Real Time Transmission the automatic redial feature does not work when you are using the scanner glass.

Storing numbers

You can set up your machine to do the following types of easy dialing: Speed Dial and Groups for broadcasting faxes. When you dial a Quick Dial number, the LCD shows the number.





Note If you lose electrical power, the Quick Dial numbers that are in the memory will not be lost.


Storing a pause

When you are storing Speed Dial numbers, you can insert one or more 3.5-second pauses by pressing the **Pause** button on the Touchscreen.

Storing Speed Dial numbers

You can store up to 100 2-digit Speed Dial locations with a name, and each name can have two numbers. When you dial you will only have to press a few buttons on the Touchscreen (for example: press , the number you want to call and **Send a fax**).

- 1 Press .
- 2 Press **More**.
- 3 Press **Set Speed Dial**.
- 4 Do one of the following:
 - Enter the name (up to 16 characters) by pressing the buttons on the Touchscreen.
Press **OK**.
(To help you enter letters, see *Entering Text* >> page 122.)
 - To store the number without a name, press **OK**.

- 5 Enter the first fax or telephone number (**Fax/Te11:**) by pressing the buttons on the Touchscreen (up to 20 digits). Press **OK**.
- 6 Do one of the following:
 - Enter the second fax or telephone number (**Fax/Te12:**) by pressing the buttons on the Touchscreen (up to 20 digits).
Press **OK**.
 - If you do not want to store a second number, press **OK**.
- 7 To choose where the number will be stored, do one of the following:
 - To accept the displayed next available Speed Dial location, press **OK**.
 - To enter a different Speed Dial location, press  and a 2-digit number using the buttons on the Touchscreen.
Press **OK**.




Note If the 2-digit Speed Dial location you choose is already taken, the **OK** button on the LCD will not work. Choose a different location.

- 8 When the LCD displays your settings, press **OK** to confirm.
- 9 Do one of the following:
 - To store another Speed Dial number, repeat steps 2 to 8.
 - To finish storing numbers, press **Stop/Exit**.

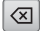
Changing Speed Dial names or numbers

You can change or delete a Speed Dial name or number that has already been stored.

- 1 Press .
- 2 Press **More**.
- 3 Do one of the following:
 - Press **Change** to edit the names or numbers.
 - Press **Delete** to delete all information in a Speed Dial location.
 - Press the number you want to delete.
 - Press **OK**.
 - Press **Yes** to confirm.
 - Go to step 8.
- 4 Press **▲** or **▼** to display the number you want to change.
- 5 Press the number you want to change.
- 6 Do one of the following:
 - If you want to change the name, press **Name : .**
Enter the new name (up to 16 characters) by pressing the buttons on the Touchscreen. (See *Entering Text* >> page 122.)
Press **OK**.
 - If you want to change the first Fax/Tel number, press **Fax/Tel1 : .**
Enter the new fax or telephone number (up to 20 digits) by pressing the buttons on the Touchscreen.
Press **OK**.
 - If you want to change the second Fax/Tel number, press **Fax/Tel2 : .**
Enter the new fax or telephone number (up to 20 digits) by pressing the buttons on the Touchscreen.
Press **OK**.

Note

How to change the stored name or number:

If you want to change a character, press **◀** or **▶** to position the cursor under the character you want to change, and then press . Re-enter the character.

- 7 The LCD will display your settings. Do one of the following:
 - Press **OK** to finish.
To change another Speed Dial number, repeat steps 2 to 6.
 - To change more details, go to 6.
- 8 Press **Stop/Exit**.


8

Making copies

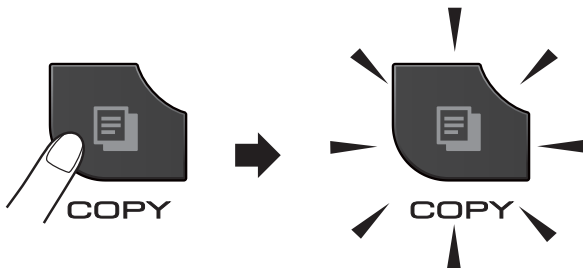
How to copy

The following steps show the basic copy operation.

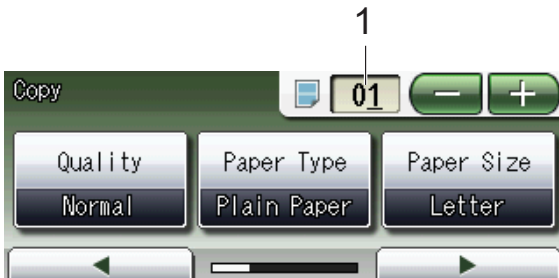
1 When you want to make a copy, press

 (**COPY**) to illuminate it in blue.

- Make sure you are in COPY mode.





- The LCD shows:



1 No. of Copies

Press the number box (1) and enter the number of copies you want.

Also you can enter the number of copies by pressing  or  on the screen (as shown above) or by using the dial pad.



Note

The default setting is FAX mode. You can change the amount of time that the machine stays in COPY mode after the last copy operation.

(>>>Advanced User's Guide: *Mode Timer*)

2 Do one of the following to load your document:

- Place the document *face down* in the ADF.

(See *Using the ADF* >> page 23.)

- Place the document *face down* on the scanner glass.

(See *Using the scanner glass* >> page 24.)

3 If you want more than one copy, enter the number (up to 99).

4 Press **Black Start** or **Color Start**.

Stop copying

To stop copying, press **Stop/Exit**.

Copy settings

You can change the following copy settings. Press **COPY** and then press ◀ or ▶ to scroll through the copy settings. When the setting you want is displayed, press it and choose your option.

(Basic User's Guide)

For details about changing the following copy settings >> page 49.

- Paper Type
- Paper Size

(Advanced User's Guide)

For details about changing the following copy settings

>>>Advanced User's Guide: *Copy settings*

- Quality
- Enlarge/Reduce
- Page Layout
- 2in1 (ID)
- Stack/Sort
- Density
- Ink Save Mode
- Thin Paper Copy
- Book Copy
- Watermark Copy
- Duplex Copy
- Favorite Settings




Note

If you want to sort copies, use the ADF.

Paper Options


Paper Type

If you are copying on special paper, set the machine for the type of paper you are using to get the best print quality.

- 1 Press  (**COPY**).
- 2 Load your document.
- 3 Enter the number of copies you want.
- 4 Press ◀ or ▶ to display Paper Type.
- 5 Press Paper Type.
- 6 Press Plain Paper, Inkjet Paper, Brother BP71, Brother BP61, Other Glossy Or Transparency.
- 7 If you do not want to change additional settings, press **Black Start** or **Color Start**.

Paper Size

If you are copying on paper other than Letter size, you will need to change the Paper Size setting. You can copy only on Letter, Legal, A4, A5, Executive or Photo 4" × 6" (10 × 15 cm) paper.

- 1 Press  (**COPY**).
- 2 Load your document.
- 3 Enter the number of copies you want.
- 4 Press ◀ or ▶ to display Paper Size.
- 5 Press Paper Size.
- 6 Press Letter, Legal, A4, A5, EXE or 4"×6".
- 7 If you do not want to change additional settings, press **Black Start** or **Color Start**.

PhotoCapture Center™: Printing photos from a memory card or USB Flash memory drive

PhotoCapture Center™ operations (PHOTO mode)

Even if your machine is *not* connected to your computer, you can print photos directly from digital camera media or a USB Flash memory drive. (See *Print Images* >> page 53.)

You can scan documents and save them directly to a memory card or USB Flash memory drive. (See *How to scan to a memory card or USB Flash memory drive* >> page 54.)

If your machine is connected to a computer, you can access a memory card or USB Flash memory drive that is inserted in the front of the machine from your computer.

>>Software User's Guide: *PhotoCapture Center™* (Windows®)

>>Software User's Guide: *Remote Setup & PhotoCapture Center™* (Macintosh)

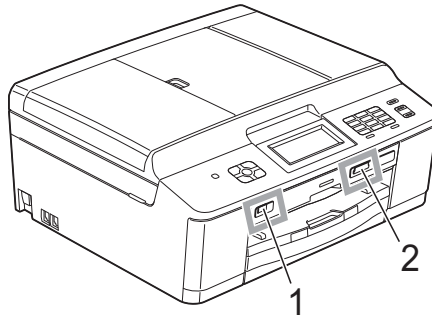
Using a memory card or USB Flash memory drive

Your Brother machine has media drives (slots) for use with the following popular digital camera media: Memory Stick™, Memory Stick PRO™, Memory Stick Duo™, Memory Stick PRO Duo™, SD, SDHC, SDXC, MultiMedia Card, MultiMedia Card plus and USB Flash memory drives.

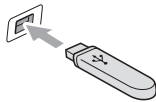
The PhotoCapture Center™ feature lets you print digital photos from your digital camera at high resolution to get photo quality printing.

Getting started

Firmly put a memory card or USB Flash memory drive into the proper slot.



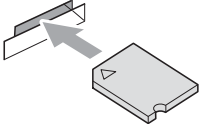
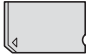
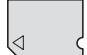

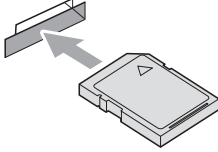
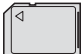

1 USB Flash memory drive



! IMPORTANT

The USB direct interface supports only a USB Flash memory drive, a PictBridge-compatible camera, or a digital camera that uses the USB mass storage standard. Any other USB devices are not supported.

2 Memory card slot

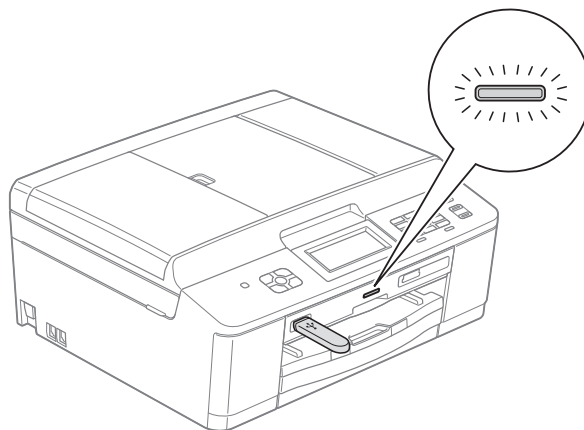
Slot	Compatible memory cards	
Upper slot 		Memory Stick™ Memory Stick PRO™
		Memory Stick Duo™ Memory Stick PRO Duo™
		Memory Stick Micro™ (Adapter required)
Lower slot 		SD SDHC SDXC MultiMedia Card MultiMedia Card plus
		mini SD (Adapter required) mini SDHC (Adapter required) micro SD (Adapter required) micro SDHC (Adapter required) MultiMedia Card mobile (Adapter required)

! IMPORTANT

DO NOT insert a Memory Stick Duo™ into the lower SD slot. Doing this may cause damage to the machine.

Status LED

When the memory card or USB Flash memory drive is being read or written to, the status LED blinks.



! IMPORTANT

DO NOT unplug the power cord or remove the memory card or USB Flash memory drive from the media drive (slot) or USB direct interface while the machine is reading or writing to the memory card or USB Flash memory drive (the status LED is blinking). **You will lose your data or damage the card.**

The machine can only read one memory card or USB Flash memory drive at a time.

Print Images

View Photos


You can preview your photos on the LCD before you print them. If your photos are large files there may be a delay before each photo is displayed on the LCD.

- 1 Make sure you have put the memory card or USB Flash memory drive in the proper slot.

Press  (**PHOTO**).

- 2 Press **View Photo(s)**.
Do one of the following:


- If you want to choose photos to print or print more than one for an image, go to step 3.

- If you want to print all photos, press .

Press **Yes** to confirm.

Go to step 6.

Note

- Four thumbnails are displayed at a time with the current page number and total number of pages listed under the thumbnails.
- Press ◀ or ▶ repeatedly to scroll through all photos. Hold down ◀ or ▶ to fast-forward and fast-rewind through the thumbnail pages.
- Press  to start Slide Show.

- 3 Press a photo from the thumbnail.

- 4 Enter the number of copies you want either by pressing the number box and entering the number of copies or by pressing + or -.
Press **OK**.

- 5 Repeat step 3 and 4 until you have chosen all the photos that you want to print.

- 6 After you have chosen all the photos, press **OK**. You now have the following options:

- To add the **Auto Correct** effect to

your chosen photos, press .

(>>Advanced User's Guide:
Enhance Photos)

- If you want to change the print settings, press **Print Settings**. (See page 54.)

- If you do not want to change any settings, go to step 7.

- 7 Press **Color Start** to print.

PhotoCapture Center™ print settings

You can change the print settings for the next printing.

These settings are temporary, and the machine returns to its default settings 3 minutes after printing, unless you have set the Mode Timer to 2 minutes or less.

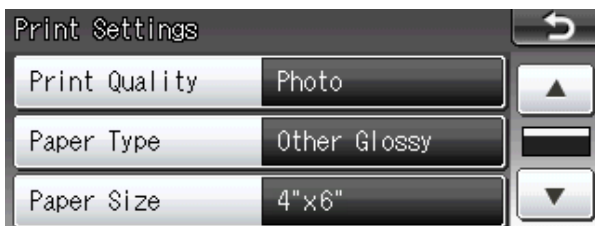
(▶▶Advanced User's Guide: *Mode Timer*)



Note

You can save the print settings you use most often by setting them as the default.

(▶▶Advanced User's Guide: *Setting your changes as the new default*)



How to scan to a memory card or USB Flash memory drive

You can scan black & white and color documents into a memory card or USB Flash memory drive. Black & white documents will be stored in PDF (*.PDF) or TIFF (*.TIF) file formats. Color documents may be stored in PDF (*.PDF) or JPEG (*.JPG) file formats. The factory setting is Color 200 dpi and the default file format is PDF. The machine automatically creates file names based on the current date. (▶▶Quick Setup Guide) For example, the fifth image scanned on July 1, 2011 would be named 07011105.PDF. You can change the color and quality.

Quality	Selectable File Format
Color 100 dpi	JPEG / PDF
Color 200 dpi	JPEG / PDF
Color 300 dpi	JPEG / PDF
Color 600 dpi	JPEG / PDF
B/W 100 dpi	TIFF / PDF
B/W 200 dpi	TIFF / PDF
B/W 300 dpi	TIFF / PDF

- 1 Make sure you have put the memory card or USB Flash memory drive in the proper slot.

! IMPORTANT

DO NOT take out the memory card or USB Flash memory drive while the status LED is blinking to avoid damaging the card, USB Flash memory drive, or the data stored on them.

- 2 Load your document.
- 3 Press (SCAN).
- 4 Press ◀ or ▶ to display to Media.

- 5 Press to Media.
- 6 Do one of the following:
 - To change the quality, press ◀ or ▶ to display **Quality**. Press **Quality** and choose Color 100 dpi, Color 200 dpi, Color 300 dpi, Color 600 dpi, B/W 100 dpi, B/W 200 dpi or B/W 300 dpi.
 - To change the file type, press ◀ or ▶ to display **File Type**. Press **File Type** and choose PDF, JPEG or TIFF.
 - If you want to change the file name, press ◀ or ▶ to display **File Name**. Press **File Name** and enter the file name.

You can only change the first 6 characters.

Press OK.
 - To start scanning without changing additional settings, go to step 7.



Note

- If you chose color in the resolution setting, you cannot choose **TIFF**.
- If you chose black & white in the resolution setting, you cannot choose **JPEG**.

- 7 Press **Black Start** or **Color Start**.



Note

You can place multiple documents on the scanner glass and scan them as separate files. (➤➤Advanced User's Guide: *Auto Crop*)

Printing a document

The machine can receive data from your computer and print it. To print from a computer, install the printer driver.

➤➤ Software User's Guide: *Printing*

(Windows®)

➤➤ Software User's Guide: *Printing and Faxing* (Macintosh)

- 1 Install the Brother printer driver on the CD-ROM. (➤➤ Quick Setup Guide)
- 2 From your application, choose the Print command.
- 3 Choose the name of your machine in the **Print** dialog box and click **Preferences**.
- 4 Choose the settings you want in the Properties dialog box.
 - **Media Type**
 - **Print Quality**
 - **Paper Size**
 - **Orientation**
 - **Color/Grayscale**
 - **Ink Save Mode**
 - **Scaling**
- 5 Click **OK**.
- 6 Click **Print** to begin printing.


Scanning a document

There are several ways to scan documents. You can use the **SCAN** key on the machine or the scanner drivers on your computer.

- 1 To use the machine as a scanner, install a scanner driver. If the machine is on a Network, configure it with a TCP/IP address.
 - Install the scanner drivers on the CD-ROM. (➤➤Quick Setup Guide)
 - Configure the machine with a TCP/IP address if network scanning does not work. (➤➤Software User's Guide: *Configuring Network Scanning for Windows®* and *Configuring network scanning for Macintosh*)
- 2 Load your document. (See *How to load documents* ➤➤ page 23.)
 - Use the ADF to scan multiple pages of documents. It feeds each sheet automatically.
 - Use the scanner glass to scan a page of a book or one sheet at a time.
- 3 Do one of the following:
 - To scan using the **SCAN** key, go to *Scanning using the SCAN key*.
 - To scan using a scanner driver at your computer, go to *Scanning using a scanner driver*.

Scanning using the SCAN key

For more information, ➤➤Software User's Guide: *Using the Scan key*

- 1 Press  (**SCAN**).
 - 2 Choose the scan mode you want.
 - to File
 - to Media
 - to Email
 - to OCR¹
 - to Image
 - Web Service²
(Web Services Scan)
- ¹ (Macintosh users)
This function is available after you download and install Presto! PageManager from http://nj.newsoft.com.tw/download/brother/PM9SEInstaller_BR_multilang.dmg
- ² Windows® users only.
(➤➤Software User's Guide: *Using Web Services for scanning on your network* (Windows Vista® SP2 or later and Windows® 7))
- 3 (For network users)
Choose the computer you want to send the data to.
 - 4 Press **Start** to begin scanning.

Scanning using a scanner driver

- Software User's Guide: *Scanning a document using the TWAIN driver* (Windows®)
- Software User's Guide: *Scanning a document using the WIA driver* (Windows®)
- Software User's Guide: *Scanning a document using the TWAIN driver* (Macintosh)
- Software User's Guide: *Scanning a document using the ICA driver (Mac OS X 10.6.x)*

- 1 Start a scanning application and click the **Scan** button.
- 2 Adjust the settings such as **Resolution**, **Brightness** and **Scan Type** in the **Scanner Setup** dialog box.
- 3 Click **Start** or **Scan** to begin scanning.

Scanning using the ControlCenter

- Software User's Guide: *ControlCenter4* (Windows®)
- Software User's Guide: *ControlCenter2* (Macintosh)

How to print on a Disc (CD/DVD/BD)

Overview

Your Brother machine can print on printable media, including CD-R/RW, DVD-R/RW and Blu-ray Disc™.

There are three ways to print on printable media:

- **Printing by copying**

You can copy the image of an existing disc label or a square document, such as a photo, and print the image on a printable disc.

- **Printing from media**

You can select an image stored in a memory card or USB Flash memory drive and print the image on a printable disc.

- **Printing from a computer**
(Windows®/Macintosh)

You can create a label image using NewSoft CD Labeler and print the image on a printable disc.

For details about how to print on a CD/DVD/BD using printing by copying, printing from media, and printing from a computer, see the Software User's Guide: *Printing on a Disc*.

How to load a Disc (CD/DVD/BD)

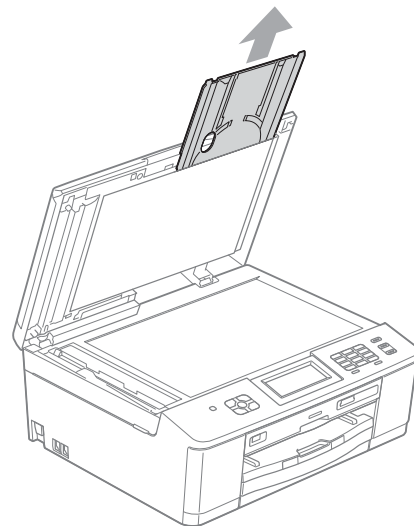
The Disc Tray accommodates 12 cm discs only.



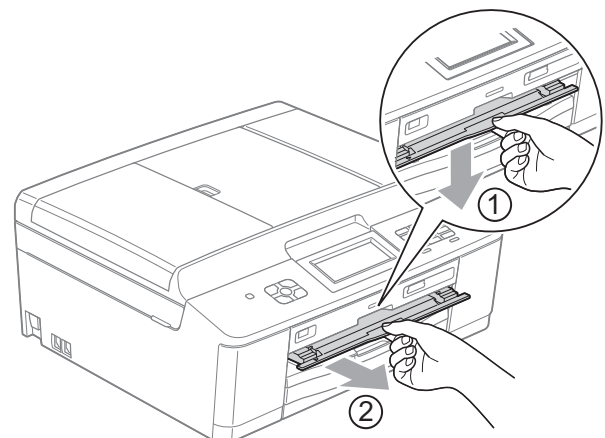
Note

If you want to do a test print on paper, DO NOT load a CD/DVD/BD.

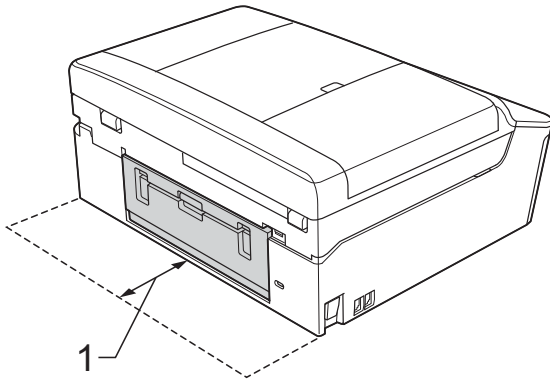
- 1 Open the scanner cover and remove the Disc Tray.



- 2 Push and pull down the Disc Guide to open it.

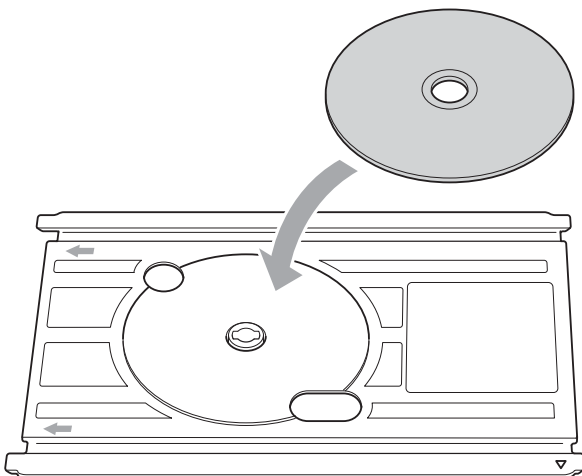


- 3 Make sure that there is over 4 in. (10 cm) of free space behind the machine.



1 4 in. (10 cm)

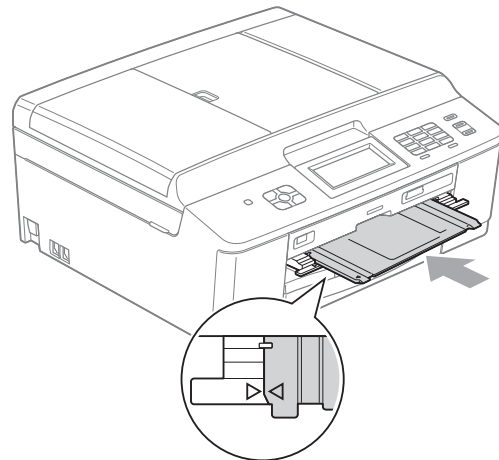
- 4 Firmly place a printable disc on the Disc Tray.



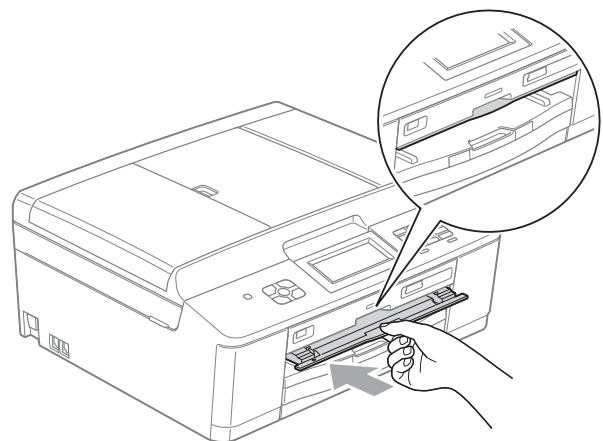
 **Note**

- Make sure the disc is placed print side face up onto the Disc Tray.
- Make sure there is no dirt on the Disc Tray.

- 5 Insert the Disc Tray into the Disc Guide and line up the triangular marks.



- 6 After the disc has finished printing, close the Disc Guide and store the Disc Tray back in the scanner cover.



 **IMPORTANT**

- If the printing area shifts and the Disc Tray or the transparent area near the center of the disc gets printed on, immediately wipe off the ink from those areas.
- Always close the Disc Tray and store it in the scanner cover after printing. If you do not, the Disc Tray may become warped or bent and cause a malfunction when used.

Replacing the ink cartridges

Your machine is equipped with an ink dot counter. The ink dot counter automatically monitors the level of ink in each of the four cartridges. When the machine detects an ink cartridge is running out of ink, the machine will tell you with a message on the LCD.

The LCD will tell you which ink cartridge is low or needs replacing. Be sure to follow the LCD prompts to replace the ink cartridges in the correct order.

Even though the machine tells you to replace an ink cartridge, there will be a small amount of ink left in the ink cartridge. It is necessary to keep some ink in the ink cartridge to prevent air from drying out and damaging the print head assembly.

CAUTION

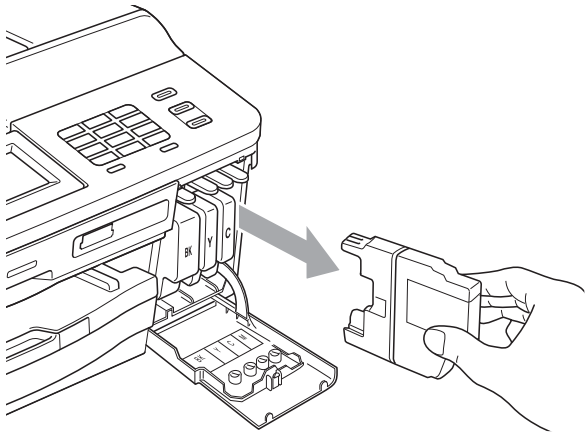
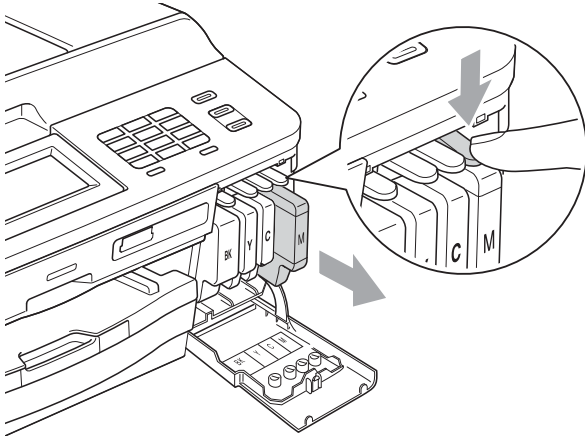
If ink gets in your eyes, wash it out with water at once and call a doctor if you are concerned.

IMPORTANT

Brother strongly recommends that you do not refill the ink cartridges provided with your machine. We also strongly recommend that you continue to use only Genuine Brother Brand replacement ink cartridges. Use or attempted use of potentially incompatible ink and/or cartridges in the Brother machine may cause damage to the machine and/or may result in unsatisfactory print quality. Our warranty coverage does not apply to any problem that is caused by the use of unauthorized third-party ink and/or cartridges. To protect your investment and obtain premium performance from the Brother machine, we strongly recommend the use of Genuine Brother Supplies.

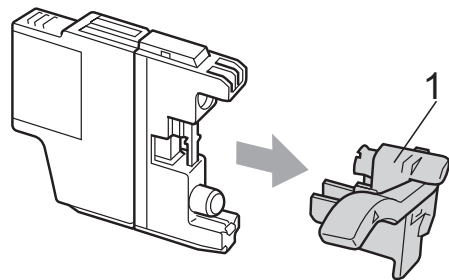
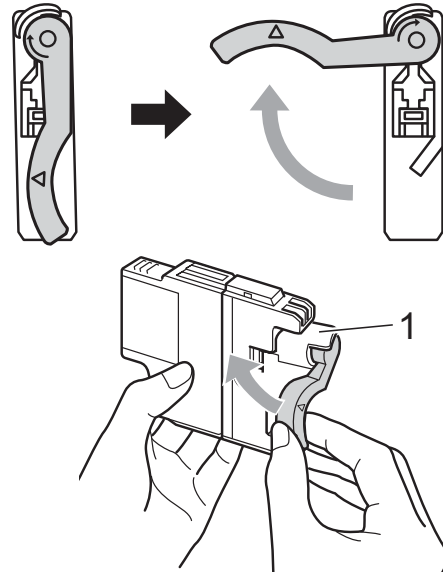
- 1 Open the ink cartridge cover. If one or more of the ink cartridges have reached the end of their life, the LCD shows `B&W Print Only` or `Cannot Print`.

- 2 Press the lock release lever as shown to release the cartridge for the color indicated on the LCD. Remove the cartridge from the machine.

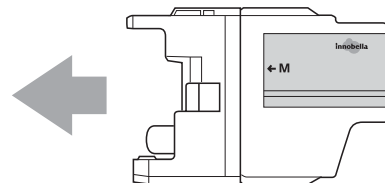


- 3 Open the new ink cartridge bag for the color shown on the LCD, and then take out the ink cartridge.

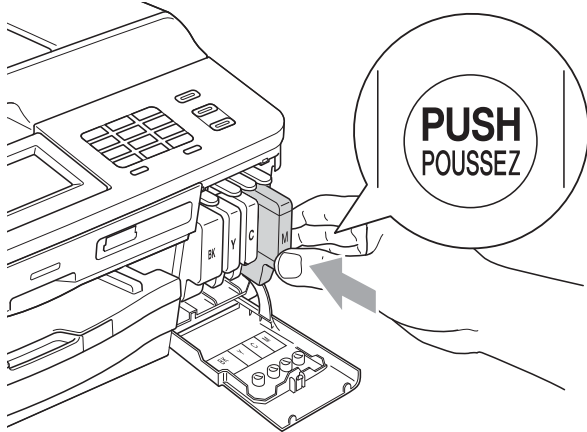
- 4 Turn the green release lever on the orange protective packing (1) clockwise until it clicks to release the vacuum seal. Then remove the orange protective packing as shown.



- 5 Each color has its own correct position. Insert the ink cartridge in the direction of the arrow on the label.



- 6 Gently push the back of the ink cartridge marked "PUSH" until it clicks, and then close the ink cartridge cover.



- 7 The machine will automatically reset the ink dot counter.



Note

- If you replaced an ink cartridge, for example Black, the LCD may ask you to verify that it was a brand new one (for example, Did You Change **BK** Black). For each new cartridge you installed, press **Yes** to automatically reset the ink dot counter for that color. If the ink cartridge you installed is not a brand new one, be sure to press **No**.
- If the LCD shows **No Ink Cartridge or Cannot Detect** after you install the ink cartridges, check that the ink cartridges are installed properly.

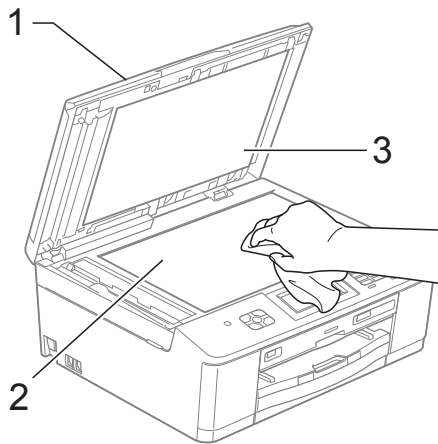
! IMPORTANT

- DO NOT take out ink cartridges if you do not need to replace them. If you do so, it may reduce the ink quantity and the machine will not know the quantity of ink left in the cartridge.
- DO NOT touch the cartridge insertion slots. If you do so, the ink may stain your skin.
- If ink gets on your skin or clothing immediately wash it off with soap or detergent.
- If you mix the colors by installing an ink cartridge in the wrong position, clean the print head several times after correcting the cartridge installation.
- Once you open an ink cartridge, install it in the machine and use it up within six months of installation. Use unopened ink cartridges by the expiration date written on the cartridge package.
- DO NOT dismantle or tamper with the ink cartridge; this can cause the ink to leak out of the cartridge.

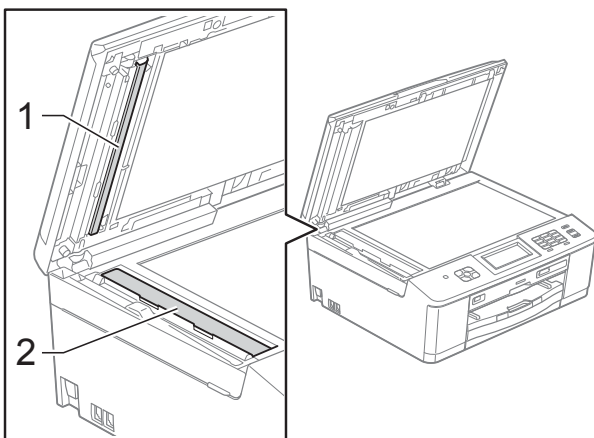
Cleaning and checking the machine

Cleaning the scanner

- 1 Unplug the machine from the AC power outlet.
- 2 Lift the document cover (1). Clean the scanner glass (2) and the white plastic (3) with a soft lint-free cloth moistened with a non-flammable glass cleaner.



- 3 In the ADF unit, clean the white bar (1) and the glass strip (2) with a lint-free cloth moistened with a non-flammable glass cleaner.



Note

In addition to cleaning the scanner glass and glass strip with a non-flammable glass cleaner, run your fingertip over the glass to see if you can feel anything on it. If you feel dirt or debris, clean the glass again concentrating on that area. You may need to repeat the cleaning process three or four times. To test, make a copy after each cleaning attempt.



When there is a spot of dirt or correction fluid on the glass strip the printed sample shows a vertical line.



After the glass strip is cleaned the vertical line is gone.

Cleaning the print head

To maintain good print quality, the machine will automatically clean the print head when needed. You can start the cleaning process manually if there is a print quality problem.

Clean the print head if you get a horizontal line in the text or graphics, or blank text on your printed pages. You can clean Black only, three colors at a time (Yellow/Cyan/Magenta), or all four colors at once.

Cleaning the print head consumes ink. Cleaning too often uses ink unnecessarily.

! IMPORTANT

DO NOT touch the print head. Touching the print head may cause permanent damage and may void the print head's warranty.

- 1 Press .
- 2 Press **Cleaning**.
- 3 Press **Black**, **Color** or **All**.
The machine cleans the print head. When cleaning is finished, the machine will go back to Ready mode automatically.




Note

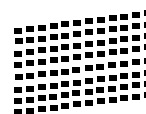
If you clean the print head at least five times and the print has not improved, try installing a new Genuine Brother Brand replacement ink cartridge for each problem color. Try cleaning the print head again up to five more times. If the print has not improved call Brother Customer Service. (See *Brother numbers* >> page i.)

Checking the print quality

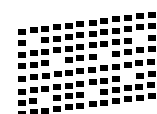
If faded or streaked colors and text appear on your printouts, some of the print head nozzles may be clogged. You can check this by printing the Print Quality Check Sheet and looking at the nozzle check pattern.

- 1 Press .
- 2 Press **Test Print**.
- 3 Press **Print Quality**.
- 4 Press **Color Start**.
The machine begins printing the Print Quality Check Sheet.
- 5 Check the quality of the four color blocks on the sheet.
- 6 The LCD asks you if the print quality is OK.
Do one of the following:
 - If all lines are clear and visible, press **Yes** to finish the Print Quality check and go to step 10.
 - If you can see missing short lines as shown below, press **No**.

OK



Poor



- 7 The LCD asks you if the print quality is OK for black and the three colors. Press **Yes** or **No**.
- 8 The LCD asks you if you want to start cleaning. Press **Color Start**.
The machine starts cleaning the print head.

A

- 9 After the cleaning procedure is finished, press **Color Start**.

The machine starts printing the Print Quality Check Sheet again and then return to step 5.

- 10 Press **Stop/Exit**.

If you repeat this procedure at least five times and the print quality is still poor, replace the ink cartridge for the clogged color.

After replacing the ink cartridge, check the print quality. If the problem still exists, repeat the cleaning and test print procedures at least five times for the new ink cartridge. If ink is still missing, call Brother Customer Service. (See *Brother numbers* >> page i.)

! IMPORTANT

DO NOT touch the print head. Touching the print head may cause permanent damage and may void the print head's warranty.

Note



When a print head nozzle is clogged the printed sample looks like this.

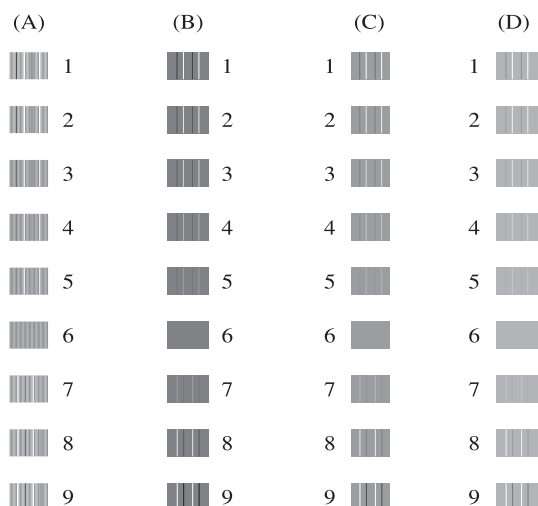


After the print head nozzle is cleaned, the horizontal lines are gone.

Checking the print alignment

You may need to adjust the print alignment after transporting the machine if your printed text becomes blurred or images become faded.

- 1 Press .
- 2 Press **Test Print**.
- 3 Press **Alignment**.
- 4 Press **Black Start** or **Color Start**. The machine starts printing the Alignment Check Sheet.



- 5 For the "A" pattern, press the number of the test print that has the least visible vertical stripes (1-9).
- 6 For the "B" pattern, press the number of the test print that has the least visible vertical stripes (1-9).
- 7 For the "C" pattern, press the number of the test print that has the least visible vertical stripes (1-9).
- 8 For the "D" pattern, press the number of the test print that has the least visible vertical stripes (1-9).
- 9 Press **Stop/Exit**.

Error and Maintenance messages

As with any sophisticated office product, errors may occur and consumable items may need to be replaced. If this happens, your machine identifies the problem and shows an error message. The most common error and maintenance messages are shown below.

You can correct most errors and clear routine maintenance messages by yourself. If you need more help, the Brother Solutions Center offers the latest FAQs and troubleshooting tips.


Visit us at <http://solutions.brother.com/>.

Error Message	Cause	Action
B&W Print Only Replace Ink	<p>One or more of the color ink cartridges have reached the end of their life.</p> <p>You can use the machine in black & white mode for approximately four weeks depending on the number of pages you print.</p> <p>While this message appears on the LCD, each operation works in the following way:</p> <ul style="list-style-type: none"> ■ Printing If you choose Grayscale in the Advanced tab of the printer driver you can use the machine as a black & white printer. ■ Copying If the paper type is set to Plain Paper you can make copies in black & white. Duplex copy is not available when this message appears. ■ Faxing If the paper type is set to Plain Paper or Inkjet Paper, the machine will receive and print the faxes in black & white. If a sending machine has a color fax, the machine's "handshake" will ask that the fax be sent as black & white. <p>If the paper type is set to Other Glossy, Brother BP71 or Brother BP61 the machine will stop all print operations.</p>	<p>Replace the ink cartridges. (See <i>Replacing the ink cartridges</i> >> page 61.)</p> <p><i>If you unplug the machine or take out the ink cartridge, you cannot use the machine until you change to a new ink cartridge.</i></p>

Error Message	Cause	Action
Cannot Detect	You installed a new ink cartridge too quickly and the machine did not detect it.	Take out the new ink cartridge and re-install it slowly until it clicks.
	If you are not using Genuine Brother Innobella™ ink the machine may not detect the ink cartridge.	Use a new Genuine Brother Innobella™ Ink Cartridge. If the error is not cleared, call Brother Customer Service.
	An ink cartridge is not installed properly.	Take out the new ink cartridge and re-install it slowly until it clicks. (See <i>Replacing the ink cartridges</i> >> page 61.)
Cannot Print Replace Ink	One or more of the ink cartridges have reached the end of their life. The machine will stop all print operations. While memory is available, black & white faxes will be stored in the memory. If a sending machine has a color fax, the machine's "handshake" will ask that the fax be sent as black & white. If the sending machine has the ability to convert it, the color fax will be stored in the memory as a black & white fax.	Replace the ink cartridges. (See <i>Replacing the ink cartridges</i> >> page 61.)
Check for a Printable Disc	The disc cannot be printed on.	Remove the disc and place a printable disc on the Disc Tray. Insert the Disc Tray into the Disc Guide and line up the triangular marks. Press Start .
	A disc is not in the Disc Tray.	Make sure a disc is properly placed in the Disc Tray.
Comm.Error	Poor telephone line quality caused a communication error.	Send the fax again or connect the machine to another telephone line. If the problem continues, call the telephone company and ask them to check your telephone line.
Connection Fail	You tried to poll a fax machine that is not in Polled Waiting mode.	Check the other fax machine's polling setup.
Cover is Open.	The scanner cover is not completely closed.	Lift the scanner cover and then close it again.
	The ink cartridge cover is not completely closed.	Firmly close the ink cartridge cover until it clicks.
Data Remaining	Print data is left in the machine's memory.	Press Stop/Exit . The machine will cancel the job and clear it from the memory. Try to print again.
Disc Jam [Front]	The disc jammed while printing. The Disc Tray was automatically ejected from the front of the machine.	Remove the Disc Tray from the Disc Guide. (See <i>Disc Tray is jammed at the front of the machine</i> >> page 83.)

Error Message	Cause	Action
Disc Jam [Rear]	The disc jammed while printing.	Make sure there is enough space behind the machine. Lift the scanner cover. Gently push the Disc Tray toward the back of the machine and remove the Disc Tray. (See <i>Disc Tray is jammed at the back of the machine</i> >> page 84.)
Disc Tray did not Feed	The Disc Tray is not inserted into the Disc Guide.	After placing a disc on the Disc Tray, insert the Disc Tray into the Disc Guide and line up the triangular marks. Press Start .
Disc Tray hits at the back	There is not enough space behind the machine for the Disc Tray to feed. The Disc Tray was automatically ejected from the front of the machine.	Remove the Disc Tray from the Disc Guide. (See <i>Disc Tray is jammed at the front of the machine</i> >> page 83.)
	The Disc Tray is stuck inside the back of the machine.	Make sure there is enough space behind the machine. Lift the scanner cover. Gently push the Disc Tray toward the back of the machine and remove the Disc Tray. (See <i>Disc Tray is jammed at the back of the machine</i> >> page 84.)
Disconnected	The other person or other person's fax machine stopped the call.	Try to send or receive again. If calls are stopped repeatedly and you are using a VoIP (Voice over IP) system, try changing the Compatibility to Basic (for VoIP). (See <i>Telephone line interference / VoIP</i> >> page 96.)
Document Jam	The document was not inserted or fed properly, or the document scanned from the ADF was too long.	(See <i>Using the ADF</i> >> page 23.) (See <i>Document jam</i> >> page 76.)
DR Mode in Use	The machine is in Distinctive Ring mode. You cannot change the Receive Mode from Manual to another mode.	Set Distinctive Ring to Off. (See <i>Turning off Distinctive Ring</i> >> page 39.)
Failed to detect the original	The machine failed to detect the original (disc and photo) when scanning.	Do one of the following: <ul style="list-style-type: none"> ■ Remove any dirt from the scanner glass. ■ Before scanning, choose the type of the document (disc or paper). ■ While scanning, close the scanner cover. ■ Place only one sheet on the scanner glass. ■ Make sure the document is placed properly on the scanner glass.
High Temperature	The print head is too warm.	Allow the machine to cool down.

B

Error Message	Cause	Action
Hub is Unusable.	A Hub or USB Flash memory drive with Hub has been connected to the USB direct interface.	A Hub or USB Flash memory drive with Hub are not supported. Unplug the device from the USB direct interface.
Image Too Long.	The proportions of your photo are irregular so effects could not be added.	Choose a regularly proportioned image.
Image Too Small.	The size of your photo is too small to trim.	Choose a larger image.
Ink Absorber Full	<p>The ink absorber box or flushing box is full. These components are periodic maintenance items that may require replacement after a period of time to ensure optimum performance from your Brother machine. Because these components are periodic maintenance items, the replacement is not covered under the warranty. The need to replace these items and the time period before replacement is dependent on the number of purges and flushes required to clean the ink system. These boxes acquire amounts of ink during the different purging and flushing operations. The number of times a machine purges and flushes for cleaning varies depending on different situations. For example, frequently powering the machine on and off will cause numerous cleaning cycles since the machine automatically cleans upon power up. The use of non-Brother ink may cause frequent cleanings because non-Brother ink could cause poor print quality which is resolved by cleaning. The more cleaning the machine requires the faster these boxes will fill up.</p> <p> Note</p> <p><i>Repairs resulting from the use of non-Brother supplies may not be covered under the stated product warranty.</i></p>	<p>The ink absorber box or flushing box will need to be replaced. Contact Brother Customer Service or a Brother Authorized Service Center to have your machine serviced. (See <i>Brother numbers</i> >> page i.)</p> <p>Other reasons for cleaning are:</p> <ol style="list-style-type: none"> 1 After a paper jam has been cleared, the machine automatically cleans itself before the next received fax is printed. 2 The machine automatically cleans itself after sitting idle for more than 30 days (infrequent use). 3 The machine automatically cleans itself after the ink cartridges have been replaced 12 times.

Error Message	Cause	Action
Ink Absorber NearFull	The ink absorber box or flushing box is nearly full.	The ink absorber box or flushing box will need to be replaced soon. Call Brother Customer Service or a Brother Authorized Service Center to have your machine serviced. (See <i>Brother numbers</i> >> page i.)
Ink low	One or more of the ink cartridges are near the end of their life. If a sending machine has a color fax to send, your machine's "handshake" will ask that the fax be sent as black & white. If the sending machine has the ability to convert it, the color fax will be printed at your machine as a black & white fax.	Order a new ink cartridge. You can continue printing until the LCD shows <i>Cannot Print</i> . (See <i>Ordering accessories and supplies</i> >> page ii and <i>Replacing the ink cartridges</i> >> page 61.)
Low Temperature	The print head is too cold.	Allow the machine to warm up.
Media Error	The memory card is either corrupted, improperly formatted, or there is a problem with the memory card.	Put the card firmly into the slot again to make sure it is in the correct position. If the error remains, check the media drive (slot) of the machine by putting in another memory card that you know is working.
Media is Full.	The memory card or USB Flash memory drive you are using has no available space or already contains 999 files.	Your machine can only save to your memory card or USB Flash memory drive if it contains less than 999 files. Delete unused files to free some space and try again.
No Caller ID	There is no incoming call history. You did not receive calls or you have not subscribed to the Caller ID service from your telephone company.	If you want to use the Caller ID feature call your telephone company. (>>>Advanced User's Guide: <i>Caller ID</i>)
No File	The memory card or USB Flash memory drive in the media drive does not contain a .JPG file.	Put the correct memory card or USB Flash memory drive into the slot again.
No Ink Cartridge	An ink cartridge is not installed properly.	Take out the new ink cartridge and re-install it slowly until it clicks. (See <i>Replacing the ink cartridges</i> >> page 61.)

Error Message	Cause	Action
No Paper Fed	The Photo Bypass Tray is in the <i>Photo</i> printing position.	Verify that the Photo Bypass Tray is in the <i>Normal</i> printing position. (See step 4 and the Important note in <i>Loading photo paper</i> >> page 14.)
	The machine is out of paper or paper is not properly loaded in the paper tray.	Do one of the following: <ul style="list-style-type: none"> ■ Refill the paper in the paper tray, and then press Black Start or Color Start. ■ Remove the paper and load it again, and then press Black Start or Color Start. (See <i>Loading paper and other print media</i> >> page 10.)
	The paper is jammed in the machine.	Remove the jammed paper by following the steps in <i>Printer jam or paper jam</i> >> page 77.
		If this error occurs often during duplex copy or duplex print, the paper feed rollers may be stained with ink. Clean the paper feed rollers. (>>Advanced User's Guide: <i>Cleaning the paper feed rollers</i>)
	Paper dust has accumulated on the surface of the paper pick-up rollers.	Clean the paper pick-up rollers. (>>Advanced User's Guide: <i>Cleaning the paper pick-up rollers</i>)
The Jam Clear Cover is not closed properly.	Check the Jam Clear Cover is closed evenly at both ends. (See <i>Printer jam or paper jam</i> >> page 77.)	
No Response/Busy	The number you dialed does not answer or is busy.	Verify the number and try again.
Not Registered	You tried to access a Speed Dial number that is not programmed.	Set up the Speed Dial number. (See <i>Storing Speed Dial numbers</i> >> page 46.)
Out of Fax Memory	The fax memory is full.	Do one of the following: <ul style="list-style-type: none"> ■ Clear the data in the memory. To gain extra memory, you can turn off Memory Receive. (>>Advanced User's Guide: <i>Turning off Memory Receive operations</i>) ■ Print the faxes that are in the memory. (>>Advanced User's Guide: <i>Printing a fax from the memory</i>)

Error Message	Cause	Action
Out of Memory	The machine's memory is full.	<p>If a copy operation is in process</p> <p>Press Stop/Exit and wait until the other operations in progress finish, and then try again.</p>
	The memory card or USB Flash memory drive you are using does not have enough free space to scan the document.	Delete unused files from your memory card or USB Flash memory drive to make some free space and then try again.
Paper Jam [Front]	Paper is jammed in the machine.	<p>Remove the jammed paper by following the steps in <i>Paper is jammed at the front of the machine</i> >> page 77.</p> <p>Make sure the paper length guide is set to the correct paper size. DO NOT extend the paper tray when you load A5 or smaller size paper.</p>
Paper Jam [Front,Rear]	Paper is jammed in the machine.	<p>Remove the jammed paper by following the steps in <i>Paper is jammed at the front and back of the machine</i> >> page 79.</p> <p>Make sure the paper length guide is set to the correct paper size. DO NOT extend the paper tray when you load A5 or smaller size paper.</p>
Paper Jam [Rear]	Paper is jammed in the machine.	<p>Remove the jammed paper by following the steps in <i>Paper is jammed at the back of the machine</i> >> page 78.</p> <p>Make sure the paper length guide is set to the correct paper size. DO NOT extend the paper tray when you load A5 or smaller size paper.</p>
	Paper dust has accumulated on the surface of the paper pick-up rollers.	Clean the paper pick-up rollers. (>>Advanced User's Guide: <i>Cleaning the paper pick-up rollers</i>)
Touchscreen initialization failed	The Touchscreen was pressed before the power on initialization was completed.	Make sure that nothing is touching or resting on the Touchscreen.
	Debris may be stuck between the lower part of the touchscreen and its frame.	Insert a piece of stiff paper between the lower part of the touchscreen and its frame and slide it back and forth to push out the debris.

Error Message	Cause	Action
Unable to Clean XX Unable to Init. XX Unable to Print XX Unable to Scan XX	The machine has a mechanical problem. —OR— A foreign object such as a paper clip or ripped paper is in the machine.	Open the scanner cover and remove any foreign objects and paper scraps from inside the machine. If the error message continues, disconnect the machine from the power for several minutes and reconnect it. (The machine can be turned off for approximately 24 hours without losing faxes stored in the memory. See <i>Transferring your faxes or Fax Journal report</i> >> page 75.)
Unusable Device Disconnect device from front connector & turn machine off & then on	A broken device has been connected to the USB direct interface.	Unplug the device from the USB direct interface, then press On/Off to turn the machine off and then on again.
Unusable Device Please Disconnect USB Device.	A USB device or USB Flash memory drive that is not supported has been connected to the USB direct interface. For more information, visit us at http://solutions.brother.com/ .	Unplug the device from the USB direct interface. Turn the machine off and then on again.
Wrong Ink Color	A color ink cartridge has been installed in the Black ink cartridge position.	Check which ink cartridges are not matched by color to their ink cartridge positions and move them to their proper positions.
Wrong Paper Size	The Paper Size setting does not match the size of paper in the tray. Or, you did not set the paper guides in the tray to the indicators for the paper size you are using.	<ol style="list-style-type: none"> 1 Check that the paper size you choose matches the size of paper in the tray. 2 Make sure you loaded the paper in a Portrait position, by setting the paper guides at the indicators for your paper size. 3 After you have checked the paper size and the paper position, press Black Start or Color Start.

Error animation

Error animations display step-by-step instructions when paper gets jammed. You can read the steps at your own pace by pressing **▶** to see the next step and **◀** to go backward.

Transferring your faxes or Fax Journal report

If the LCD shows:

- Unable to Clean XX
- Unable to Init. XX
- Unable to Print XX
- Unable to Scan XX

We recommend transferring your faxes to another fax machine or to your PC. (See *Transferring faxes to another fax machine* >> page 75 or *Transferring faxes to your PC* >> page 75.)

You can also transfer the Fax Journal report to see if there are any faxes you need to transfer. (See *Transferring the Fax Journal report to another fax machine* >> page 76.)

Transferring faxes to another fax machine

If you have not set up your Station ID, you cannot enter fax transfer mode. (>>Quick Setup Guide: *Set your Station ID*)

- 1 Press **Stop/Exit** to interrupt the error temporarily.
- 2 Press **Menu**.
- 3 Press **▲** or **▼** to display *Service*.
- 4 Press *Service*.
- 5 Press *Data Transfer*.
- 6 Press *Fax Transfer*.

- 7 Do one of the following:
 - If the LCD shows *No Data*, there are no faxes left in the machine's memory.
Press **Stop/Exit**.
 - Enter the fax number to which faxes will be forwarded.
- 8 Press **Black Start**.

Transferring faxes to your PC

You can transfer the faxes from your machine's memory to your PC.

- 1 Press **Stop/Exit** to interrupt the error temporarily.
- 2 Make sure you have installed **MFL-Pro Suite** on your PC, and then turn on **PC-FAX Receiving** on the PC. (>>Software User's Guide: *PC-FAX receiving*)
- 3 Make sure you have set up PC-Fax Receive on the machine. (>>Advanced User's Guide: *PC-Fax Receive (Windows® only)*)
If faxes are in the machine's memory when you set up PC-Fax Receive, the LCD will ask if you want to transfer the faxes to your PC.
- 4 Do one of the following:
 - To transfer all faxes to your PC, press *Yes*. You will be asked if you want to also turn on the backup print option.
 - To exit and leave the faxes in the memory, press *No*.
- 5 Press **Stop/Exit**.

Transferring the Fax Journal report to another fax machine

If you have not set up your Station ID, you cannot enter fax transfer mode.

(▶▶ Quick Setup Guide: *Set your Station ID*)

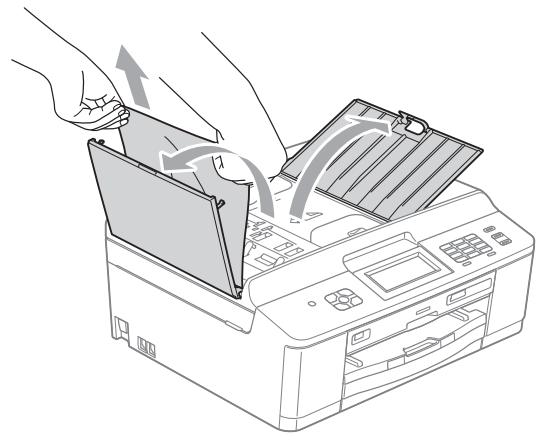
- 1 Press **Stop/Exit** to interrupt the error temporarily.
- 2 Press **Menu**.
- 3 Press **▲** or **▼** to display **Service**.
- 4 Press **Service**.
- 5 Press **Data Transfer**.
- 6 Press **Report Trans.**
- 7 Enter the fax number to which the Fax Journal report will be forwarded.
- 8 Press **Black Start**.

Document jam

Documents can jam in the ADF unit if they are not inserted or fed properly, or if they are too long. Follow the steps below to clear a document jam.

Document is jammed in the top of the ADF unit

- 1 Take out any paper from the ADF that is not jammed.
- 2 Open the ADF cover.
- 3 Remove the jammed document by pulling it upward.



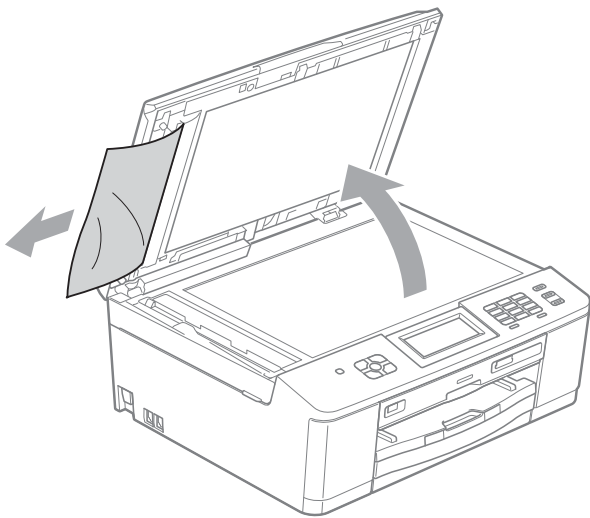
- 4 Close the ADF cover.
- 5 Press **Stop/Exit**.

! IMPORTANT

To avoid future document jams close the ADF cover properly by pressing it down in the middle.

Document is jammed inside the ADF unit

- 1 Take out any paper from the ADF that is not jammed.
- 2 Lift the document cover.
- 3 Pull the jammed document out to the left.



- 4 Close the document cover.
- 5 Press **Stop/Exit**.

Printer jam or paper jam

Take out the jammed paper depending on where it is jammed in the machine.

Paper is jammed at the front of the machine

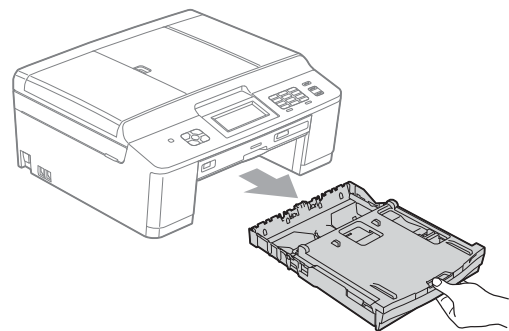
If the LCD shows *Paper Jam [Front]*, follow these steps:

- 1 Unplug the machine from the AC power outlet.

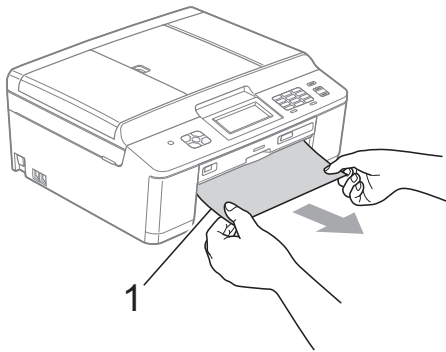
! IMPORTANT

Before you unplug the machine from the power source, you can transfer your faxes that are stored in the memory to your PC or another fax machine so you will not lose any important messages. (See *Transferring your faxes or Fax Journal report* >> page 75.)

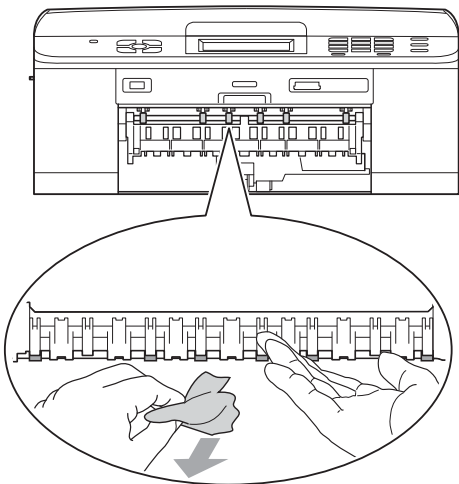
- 2 If the paper support flap is open, close it, and then close the paper support. Pull the paper tray completely out of the machine.



- 3 Pull out the jammed paper (1).



- 4 Lift the Jam Clear flap, and remove the jammed paper.



- 5 Push the paper tray firmly back into the machine.
- 6 While holding the paper tray in place, pull out the paper support until it clicks, and then unfold the paper support flap. Make sure you pull out the paper support until it clicks.

! IMPORTANT

DO NOT use the paper support flap for Legal size paper.

- 7 Re-connect the power cord.

Paper is jammed at the back of the machine

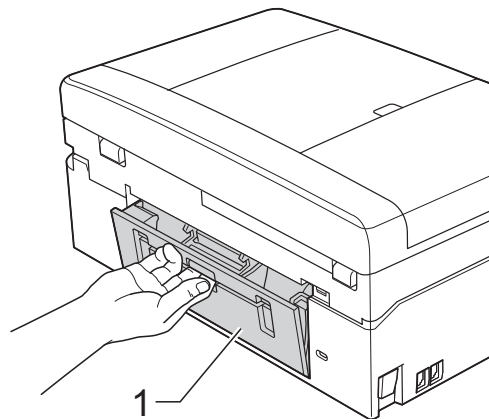
If the LCD shows Paper Jam [Rear], follow these steps:

- 1 Unplug the machine from the AC power outlet.

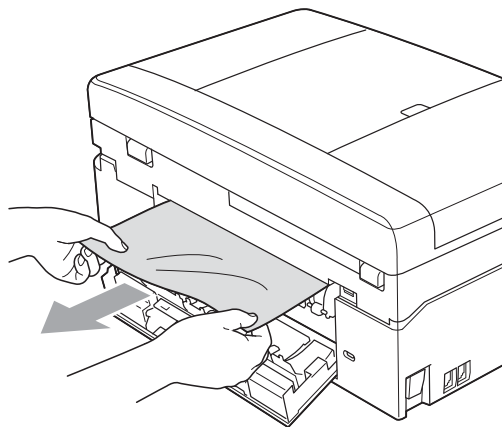
! IMPORTANT

Before you unplug the machine from the power source, you can transfer your faxes that are stored in the memory to your PC or another fax machine so you will not lose any important messages. (See *Transferring your faxes or Fax Journal report* >> page 75.)

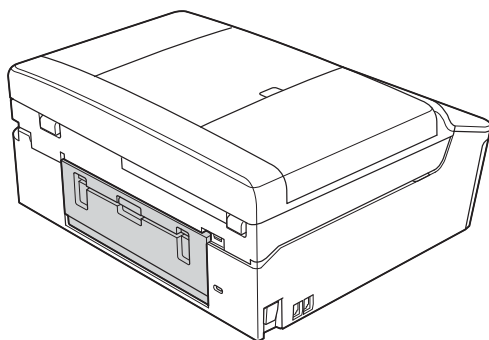
- 2 Open the Jam Clear Cover (1) at the back of the machine.



- 3 Pull the jammed paper out of the machine.



- 4 Close the Jam Clear Cover. Make sure the cover is closed properly.



- 5 Re-connect the power cord.

Paper is jammed at the front and back of the machine

If the LCD shows

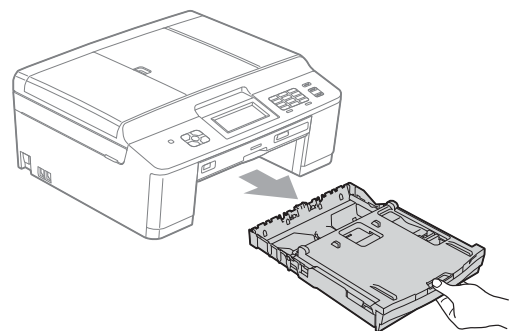
Paper Jam [Front, Rear], follow these steps:

- 1 Unplug the machine from the AC power outlet.

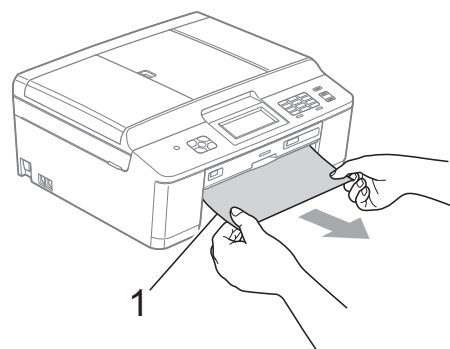
! IMPORTANT

Before you unplug the machine from the power source, you can transfer your faxes that are stored in the memory to your PC or another fax machine so you will not lose any important messages. (See *Transferring your faxes or Fax Journal report* >> page 75.)

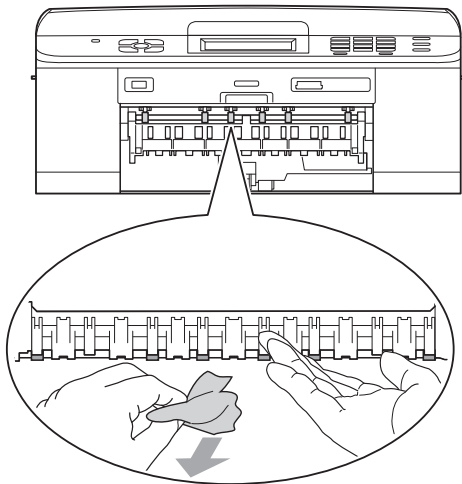
- 2 If the paper support flap is open, close it, and then close the paper support. Pull the paper tray completely out of the machine.



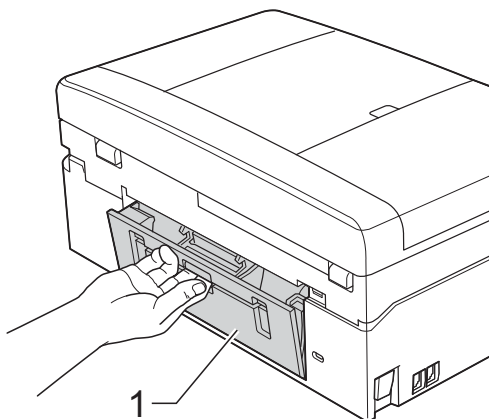
- 3 Pull out the jammed paper (1).



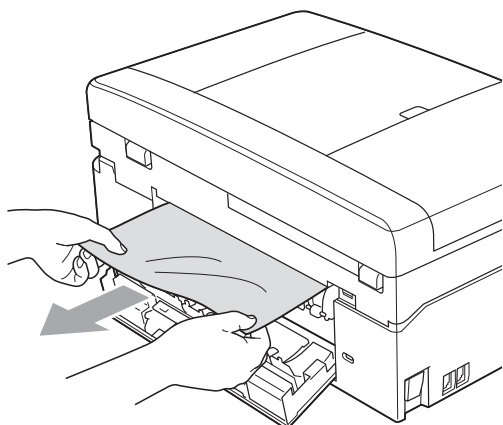
- 4 Lift the Jam Clear flap, and remove the jammed paper.



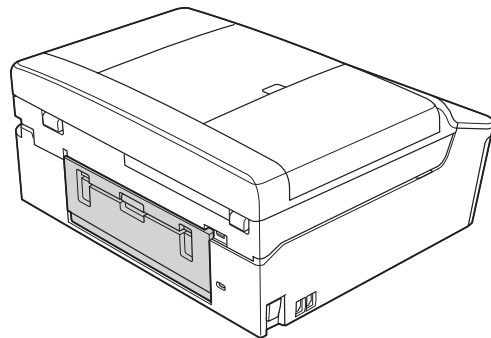
- 5 Open the Jam Clear Cover (1) at the back of the machine.



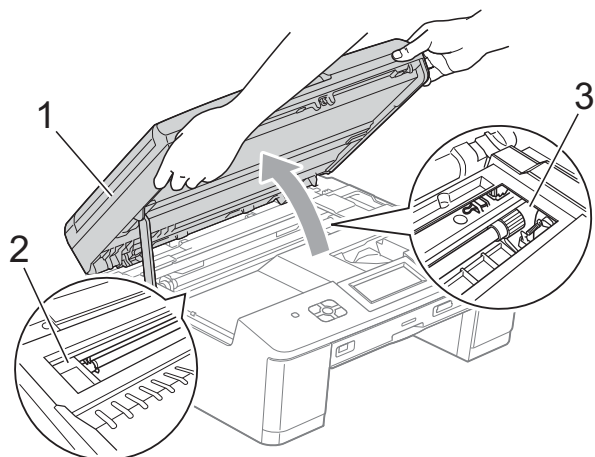
- 6 Pull the jammed paper out of the machine.



- 7 Close the Jam Clear Cover. Make sure the cover is closed properly.



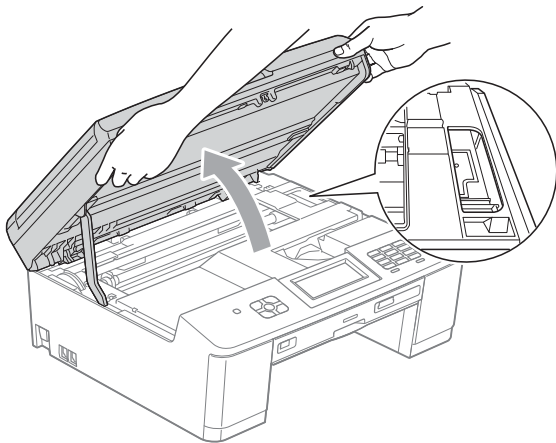
- 8 Using both hands, grasp the plastic tabs on both sides of the machine and lift the scanner cover (1) to the open position.



Move the print head (if necessary) to take out any paper remaining in this area. Make sure that jammed paper is not left in the corners of the machine (2) and (3).

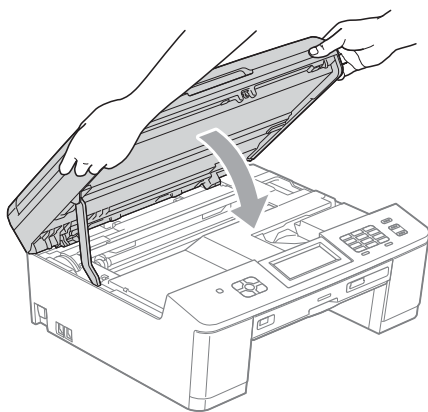
! IMPORTANT

- If the paper is jammed under the print head, unplug the machine from the power source, and then move the print head to take out the paper.
- If the print head is in the right corner as shown in the illustration, you cannot move it. Re-connect the power cord. Hold down **Stop/Exit** until the print head moves to the middle. Then unplug the machine from the power source and take out the paper.



- If ink gets on your skin or clothing immediately wash it off with soap or detergent.

- 9 Using both hands, grasp the plastic tabs on both sides of the machine and gently close the scanner cover.



- 10 Push the paper tray firmly back into the machine.
- 11 While holding the paper tray in place, pull out the paper support until it clicks, and then unfold the paper support flap. Make sure you pull out the paper support until it clicks.

! IMPORTANT

DO NOT use the paper support flap for Legal size paper.

- 12 Re-connect the power cord.

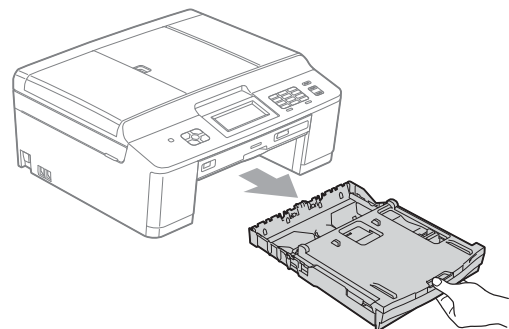
Additional paper jam clear operations

- 1 Unplug the machine from the AC power outlet.

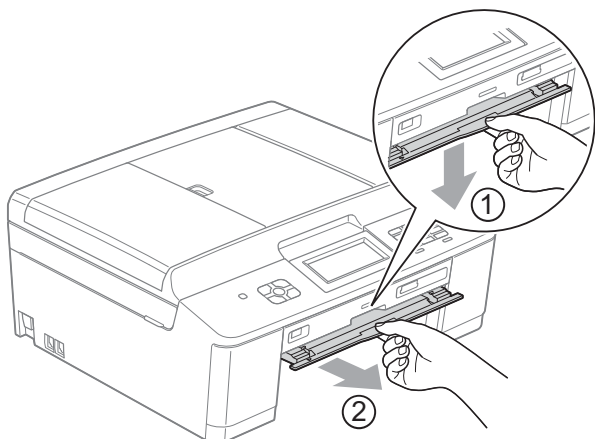
! IMPORTANT

Before you unplug the machine from the power source, you can transfer your faxes that are stored in the memory to your PC or another fax machine so you will not lose any important messages. (See *Transferring your faxes or Fax Journal report* >> page 75.)

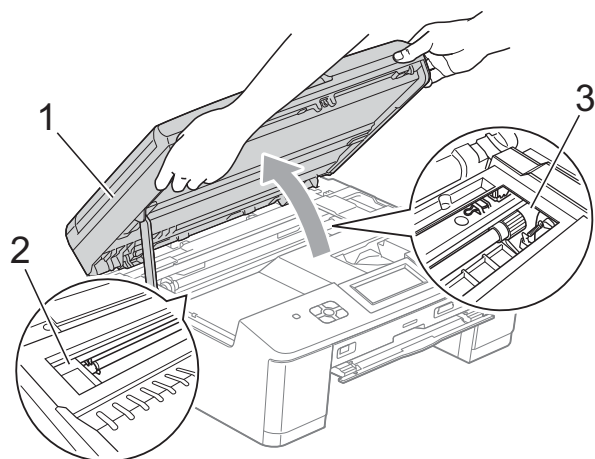
- 2 If the paper support flap is open, close it, and then close the paper support. Pull the paper tray completely out of the machine.



3 Open the Disc Guide.



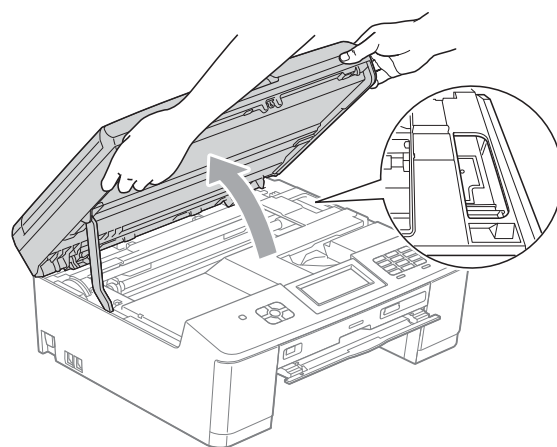
4 Using both hands, grasp the plastic tabs on both sides of the machine and lift the scanner cover (1) to the open position.



Move the print head (if necessary) to take out any paper remaining in this area. Make sure that jammed paper is not left in the corners of the machine (2) and (3).

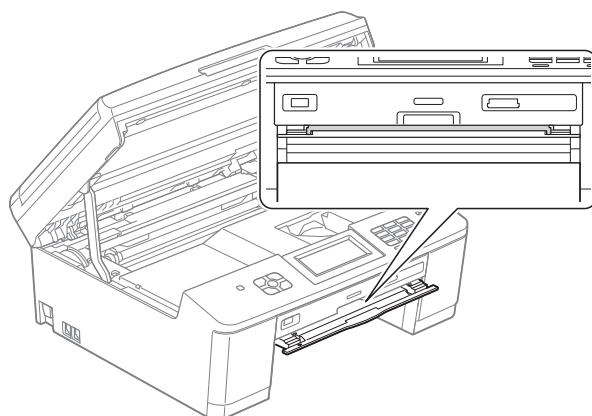
! IMPORTANT

- If the paper is jammed under the print head, unplug the machine from the power source, and then move the print head to take out the paper.
- If the print head is in the right corner as shown in the illustration, you cannot move it. Re-connect the power cord. Hold down **Stop/Exit** until the print head moves to the middle. Then unplug the machine from the power source and take out the paper.

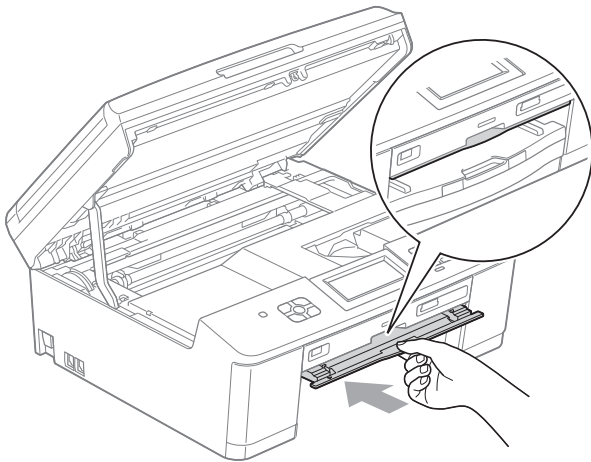


- If ink gets on your skin or clothing immediately wash it off with soap or detergent.

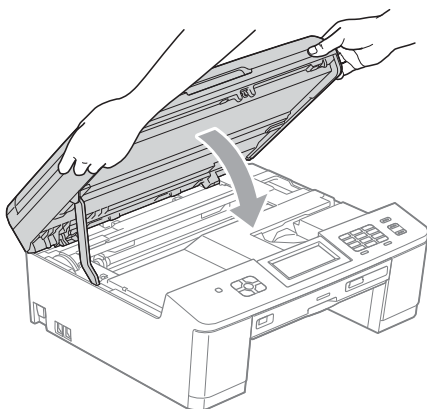
5 Make sure that all the jammed paper has been removed from the Disc Guide.



- 6 Close the Disc Guide.



- 7 Using both hands, grasp the plastic tabs on both sides of the machine and gently close the scanner cover.



- 8 Push the paper tray firmly back into the machine.

- 9 While holding the paper tray in place, pull out the paper support until it clicks, and then unfold the paper support flap. Make sure you pull out the paper support until it clicks.

! IMPORTANT

DO NOT use the paper support flap for Legal size paper.

- 10 Re-connect the power cord.

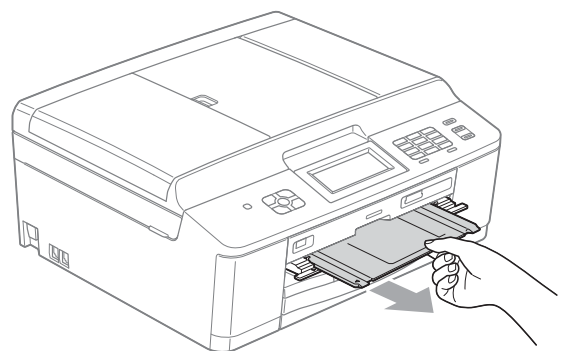
Disc Jam

Take out the Disc Tray depending on where the disc is jammed in the machine.

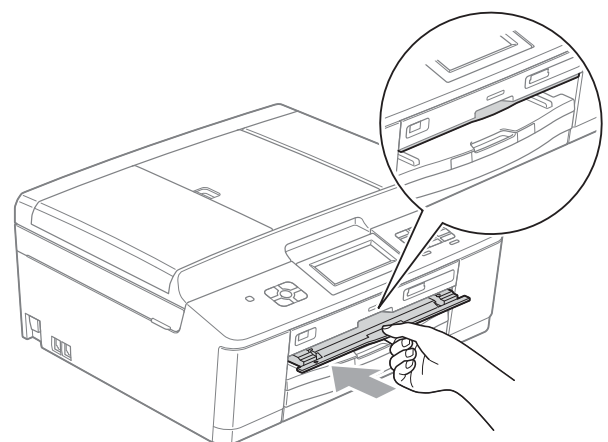
Disc Tray is jammed at the front of the machine

If the LCD shows Disc Jam [Front], follow these steps:

- 1 Unplug the machine from the AC power outlet.
- 2 Remove the Disc Tray from the Disc Guide.



- 3 Close the Disc Guide.

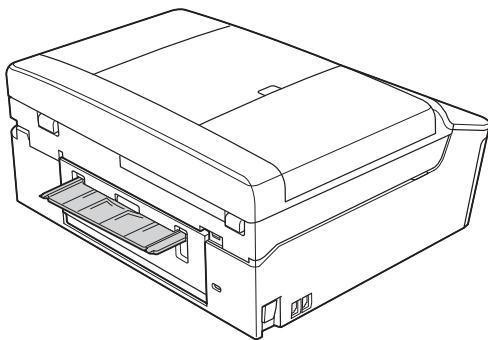


- 4 Re-connect the power cord.

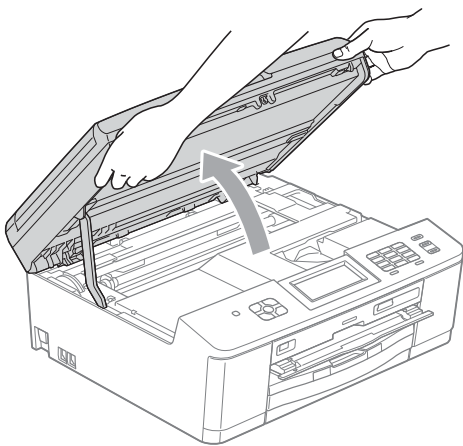
Disc Tray is jammed at the back of the machine

If the LCD shows `Disc Jam [Rear]`, follow these steps:

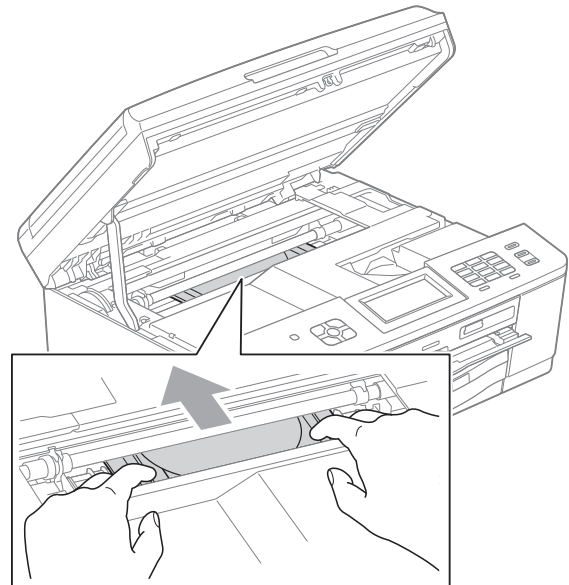
- 1 Unplug the machine from the AC power outlet.
- 2 Make sure there is enough space behind the machine for removing the Disc Tray.



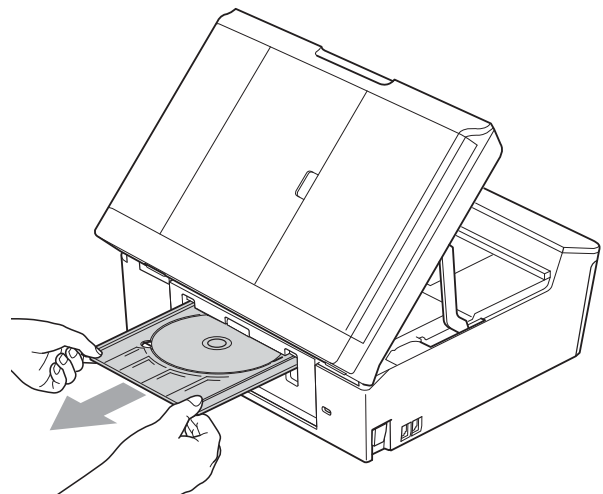
- 3 Using both hands, grasp the plastic tabs on both sides of the machine and lift the scanner cover to the open position.



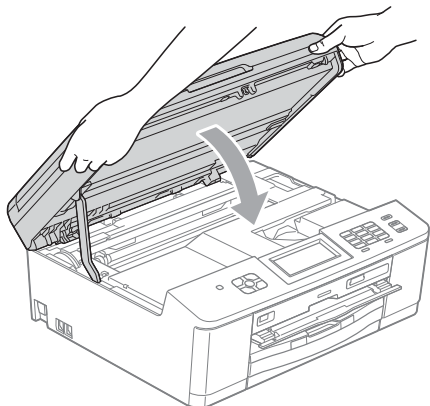
- 4 Gently push the Disc Tray toward the back of the machine.



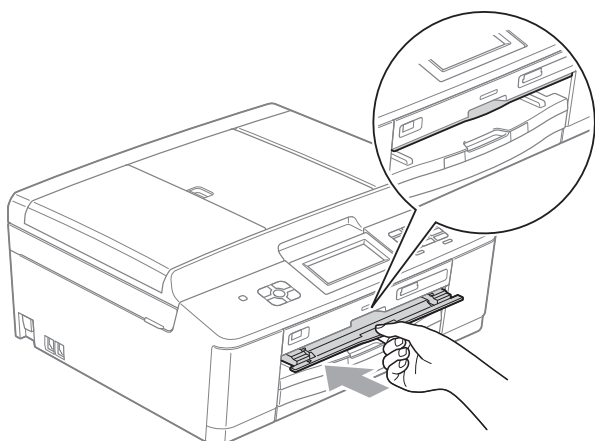
- 5 Remove the Disc Tray from the back of the machine.



- 6 Using both hands, grasp the plastic tabs on both sides of the machine and gently close the scanner cover.



- 7 Close the Disc Guide.



- 8 Re-connect the power cord.

Troubleshooting

! IMPORTANT

For technical help, you must call the country where you bought the machine. Calls must be made **from within** that country.

If you think there is a problem with your machine, check the chart below and follow the troubleshooting tips.


Most problems can be easily resolved by yourself. If you need additional help, the Brother Solutions Center offers the latest FAQs and troubleshooting tips.

Visit us at <http://solutions.brother.com/>.

Using non-Brother supplies may affect the print quality, hardware performance, and machine reliability.

If you are having difficulty with your machine

Printing

Difficulty	Suggestions
No printout.	Check the interface cable or wireless connection on both the machine and your computer. (▶▶ Quick Setup Guide)
	Check that the machine is plugged in and that the  On/Off key is on.
	One or more ink cartridges have reached the end of their life. (See <i>Replacing the ink cartridges</i> ▶▶ page 61.)
	Check to see if the LCD is showing an error message. (See <i>Error and Maintenance messages</i> ▶▶ page 67.)
	If the LCD shows <code>Cannot Print and Replace Ink</code> , see <i>Replacing the ink cartridges</i> ▶▶ page 61.
	Check that the correct printer driver has been installed and chosen.
	(Windows® users only) Make sure that the machine is online. Click Start and then Printers and Faxes . Right-click and choose Brother MFC-XXXXX (where XXXXX is your model name), and make sure that Use Printer Offline is unchecked.

Printing (continued)

Difficulty	Suggestions
Poor print quality.	Check the print quality. (See <i>Checking the print quality</i> >> page 65.)
	Make sure that the Media Type setting in the printer driver or the Paper Type setting in the machine's menu matches the type of paper you are using. See <i>Paper Type</i> >> page 18. >>Software User's Guide: <i>Printing</i> (Windows®) >>Software User's Guide: <i>Printing and Faxing</i> (Macintosh)
	Make sure that your ink cartridges are fresh. The following may cause ink to clog: <ul style="list-style-type: none"> ■ The expiration date written on the cartridge package has passed. (Genuine Brother Innobella™ ink cartridges stay usable for up to two years if kept in their original packaging.) ■ The ink cartridge has been in your machine for over six months. ■ The ink cartridge may not have been stored properly before use.
	Make sure you are using Genuine Brother Innobella™ Ink. Using non-Brother supplies may affect the print quality, hardware performance, and machine reliability.
	Try using the recommended types of paper. (See <i>Acceptable paper and other print media</i> >> page 19.)
	The recommended environment for your machine is between 68 °F to 91 °F (20 °C to 33 °C).
White horizontal lines appear in text or graphics.	Clean the print head. (See <i>Cleaning the print head</i> >> page 65.)
	Make sure you are using Genuine Brother Innobella™ Ink.
	Try using the recommended types of paper. (See <i>Acceptable paper and other print media</i> >> page 19.)
The machine prints blank pages.	Clean the print head. (See <i>Cleaning the print head</i> >> page 65.)
	Make sure you are using Genuine Brother Innobella™ Ink.
Characters and lines are blurred.	Check the printing alignment. (See <i>Checking the print alignment</i> >> page 66.)
Printed text or images are skewed.	Make sure the paper is loaded properly in the paper tray and the paper side guides are adjusted correctly. (See <i>Loading paper and other print media</i> >> page 10.)
	Make sure the Jam Clear Cover is closed properly.
Smudge or stain at the top center of the printed page.	Make sure the paper is not too thick or curled. (See <i>Acceptable paper and other print media</i> >> page 19.)
Printing appears dirty or ink seems to run.	Make sure you are using the recommended types of paper. (See <i>Acceptable paper and other print media</i> >> page 19.) Don't handle the paper until the ink is dry.
	Make sure you are using Genuine Brother Innobella™ Ink.
	If you are using photo paper, make sure that you have set the correct paper type. If you are printing a photo from your PC, set the Media Type of the printer driver.
Stains appear on the reverse side or at the bottom of the page.	Make sure the printer platen is not dirty with ink. (>>Advanced User's Guide: <i>Cleaning the machine's printer platen</i>)
	Make sure you are using Genuine Brother Innobella™ Ink.
	Make sure you are using the paper support flap. (See <i>Loading paper and other print media</i> >> page 10.)
	Make sure the paper feed roller is not dirty with ink. (>>Advanced User's Guide: <i>Cleaning the paper feed rollers</i>)

B

Printing (continued)

Difficulty	Suggestions
The machine prints dense lines on the page.	Check Reverse Order in the Basic tab of the printer driver.
The printouts are wrinkled.	(Windows® users) In the printer driver Advanced tab, click Color Settings , and uncheck Bi-Directional Printing . (Macintosh users) In the printer driver, choose Print Settings , click Advanced , choose Other Print Options , and uncheck Bi-Directional Printing . Make sure you are using Genuine Brother Innobella™ Ink.
Cannot perform "Page Layout" printing.	Check that the paper size setting in the application and in the printer driver are the same.
Print speed is too slow.	Try changing the printer driver setting. The highest resolution needs longer data processing, sending and printing time. Try the other quality settings in the printer driver Advanced tab (Windows®) or Print Settings (Macintosh). Also, click Color Settings , and make sure you uncheck Color Enhancement (True2Life) . Turn the borderless feature off. Borderless printing is slower than normal printing. ➤➤Software User's Guide: <i>Printing</i> (Windows®) ➤➤Software User's Guide: <i>Printing and Faxing</i> (Macintosh)
True2Life™ is not working properly.	If the image data is not full color in your application (such as 256 color), True2Life™ will not work. Use at least 24 bit color data with the True2Life™ feature.
Photo paper does not feed properly.	When you print on Brother Photo paper, load one extra sheet of the same photo paper in the paper tray. An extra sheet has been included in the paper package for this purpose. Clean the paper pick-up rollers. (➤➤Advanced User's Guide: <i>Cleaning the paper pick-up rollers</i>)
Machine feeds multiple pages.	Make sure the paper is loaded properly in the paper tray. (See <i>Loading paper and other print media</i> ➤➤ page 10.)
There is a paper jam.	Make sure the paper length guide is set to the correct paper size. Do not extend the paper tray when you load A5 or smaller size paper. (See <i>Printer jam or paper jam</i> ➤➤ page 77.)
The paper jams when you use duplex copy or duplex print.	Use one of the jam prevention settings, Duplex1 or Duplex2. For copying ➤➤Advanced User's Guide: <i>Duplex (2-sided) copying</i> For printing ➤➤Software User's Guide: <i>Duplex / Booklet</i> (Windows®) ➤➤Software User's Guide: <i>Duplex Printing</i> (Macintosh) If paper jams often when using duplex copy or duplex print, the paper feed rollers may be stained with ink. Clean the paper feed rollers. (➤➤Advanced User's Guide: <i>Cleaning the paper feed rollers</i>)
Printed pages are not stacked neatly.	Make sure you are using the paper support flap. (See <i>Loading paper and other print media</i> ➤➤ page 10.)
Machine does not print from Adobe® Illustrator®.	Try to reduce the print resolution. ➤➤Software User's Guide: <i>Printing</i> (Windows®) ➤➤Software User's Guide: <i>Printing and Faxing</i> (Macintosh)


Printing (continued)

Difficulty	Suggestions
Ink is smudged or running when using glossy photo paper.	Make sure to check the front and back of the paper. Place the glossy surface (printing surface) face down. (See <i>Paper Type</i> >> page 18.)
	If you use glossy photo paper, make sure that the paper type setting is correct.
When printing a disc, the Disc Tray becomes dirty.	Use the application for label printing when you print the disc.

Printing Received Faxes

Difficulty	Suggestions
Condensed print and white streaks across the page or the top and bottom of sentences are cut off.	You probably had a bad connection, with static or interference on the telephone line. Ask the other party to send the fax again.
Vertical black lines when receiving.	The sender's scanner may be dirty. Ask the sender to make a copy to see if the problem is with the sending machine. Try receiving from another fax machine.
Received color fax prints only in black & white.	Replace the color ink cartridges that have reached the end of their life, and then ask the other person to send the color fax again. (See <i>Replacing the ink cartridges</i> >> page 61.)
Left and Right margins are cut off or a single page is printed on two pages.	Turn on Auto Reduction. (>>Advanced User's Guide: <i>Printing a reduced incoming fax</i>)

Telephone Line or Connections

Difficulty	Suggestions
Dialing does not work. (No dial tone)	Check that the machine is plugged in and that the  On/Off key is on.
	Check all line cord connections. Make sure the telephone line cord is plugged into the telephone wall jack and the LINE jack of the machine.
	(Canada only) Change the Tone/Pulse setting. (>>Quick Setup Guide)
	Verify that the telephone line and jack are working by connecting a known working telephone and telephone line to the jack. Then lift the external telephone's handset and listen for a dial tone. If there is no dial tone, ask your telephone company to check the line and/or jack.
The machine does not answer when called.	Make sure the machine is in the correct Receive Mode for your setup. (See <i>Choose the correct Receive Mode</i> >> page 30.) Check for a dial tone. If possible, call your machine to hear it answer. If there is still no answer, check that the telephone line cord is plugged into the telephone wall jack and the LINE jack of the machine. If there is no ringing when you call your machine, ask your telephone company to check the line.


Receiving Faxes

Difficulty	Suggestions
<p>Cannot receive a fax.</p>	<p>Make sure your machine has a dial tone by pressing the Hook key. If you hear static or interference on your fax line, please contact your local telephone company.</p> <p>Check all line cord connections. Make sure the telephone line cord is plugged into the telephone wall jack and the LINE jack of the machine. If you subscribe to DSL, VoIP or MagicJack services, please contact your service provider for connection instructions. To lower the modem speed and turn off ECM (error correction mode) see <i>Telephone line interference / VoIP</i> >> page 96.</p> <p>Make sure the machine is in the correct Receive Mode. This is determined by the external devices and telephone subscriber services you have on the same line as the Brother machine. (See <i>Choose the correct Receive Mode</i> >> page 30.)</p> <p>If you have a dedicated fax line and want your Brother machine to automatically answer all incoming faxes, you should select Fax Only mode.</p> <p>If your Brother machine shares a line with an external answering machine, you should select External TAD mode. In External TAD mode, your Brother machine will automatically receive incoming faxes and voice callers will be able to leave a message on your answering machine.</p> <p>If your Brother machine shares the line with a Voice Mail subscriber service, please see <i>Voice Mail</i> >> page 37.</p> <p>If your Brother machine is on a line with the Distinctive Ring subscriber service, please see <i>Distinctive Ring</i> >> page 38.</p> <p>If your Brother machine shares a line with other telephones and you want it to automatically answer all incoming faxes, you should select Fax/Tel mode. In Fax/Tel mode, your Brother machine will automatically receive faxes and produce a pseudo/double-ring to alert you to answer voice calls.</p> <p>If you do not want your Brother machine to automatically answer any incoming faxes, you should select Manual mode. In Manual mode, you must answer every incoming call and activate the machine to receive faxes.</p> <p>Another device or service at your location may be answering the call before your Brother machine answers. To test this, lower the ring delay setting:</p> <ul style="list-style-type: none"> ■ If the receive mode is set to Fax Only or Fax/Tel, reduce the ring delay to 1 ring. (See <i>Ring Delay</i> >> page 33.) ■ If the receive mode is set to External TAD, reduce the number of rings programmed on your answering machine to 2. ■ If the receive mode is set to Manual, DO NOT adjust the ring delay setting. <p>Have someone send you a test fax:</p> <ul style="list-style-type: none"> ■ If you received the test fax successfully, your machine is operating properly. Remember to reset your ring delay or answering machine setting back to your original setting. If receiving problems recur after resetting the ring delay, then a person, device, or subscriber service is answering the fax call before the machine has a chance to answer. ■ If you were not able to receive the fax, then another device or subscriber service may be interfering with your fax reception or there may be a problem with your fax line.

Receiving Faxes (continued)

Difficulty	Suggestions
<p>Cannot receive a fax. (continued)</p>	<p>If you are using a telephone answering machine (External TAD mode) on the same line as the Brother machine, make sure your answering machine is set up correctly. (See <i>Connecting an external TAD (telephone answering device)</i> >> page 40.)</p> <ol style="list-style-type: none"> 1 Plug the telephone line cord directly from the wall telephone jack to your Brother machine's LINE jack. 2 Remove the protective cap from your Brother machine's EXT. jack, and then plug the telephone line cord from your answering machine into the EXT. jack. 3 Set your answering machine to answer within 4 rings. If you are having problems receiving faxes or voice messages, set your answering machine to answer within 2 or 3 rings. 4 Record the outgoing message on your answering machine. <ul style="list-style-type: none"> ■ Record five seconds of silence at the beginning of your outgoing message. ■ Limit your speaking to 20 seconds. ■ End your outgoing message with your Fax Receive Code for people sending manual faxes. For example: "After the beep, leave a message or press * 5 1 and Start to send a fax." 5 Set your answering machine to answer calls. 6 Set your Brother machine's Receive Mode to External TAD. (See <i>Choose the correct Receive Mode</i> >> page 30.)
	<p>Make sure your Brother machine's Easy Receive feature is turned On. Easy Receive is a feature that allows you to receive a fax even if you have answered the call on an external or extension telephone. (See <i>Easy Receive</i> >> page 34.)</p>
	<p>If you often get transmission errors due to possible interference on the telephone line, try changing the Compatibility setting to Basic (for VoIP). (See <i>Telephone line interference / VoIP</i> >> page 96.)</p>

Sending Faxes

Difficulty	Suggestions
Cannot send a fax.	Check all line cord connections. Make sure the telephone line cord is plugged into the telephone wall jack and the LINE jack of the machine.
	Make sure that the FAX  key is illuminated.
	Ask the other party to check that the receiving machine has paper.
	Print the Transmission Verification Report and check for an error. (►►Advanced User's Guide: <i>Reports</i>)
Transmission Verification Report says "RESULT:NG".	There is probably temporary noise or static on the line. Try sending the fax again. If you send a PC FAX message and get "RESULT:NG" on the Transmission Verification Report, your machine may be out of memory. To gain extra memory, you can turn off Memory Receive (►►Advanced User's Guide: <i>Turning off Memory Receive operations</i>), print fax messages from the machine's memory (►►Advanced User's Guide: <i>Printing a fax from the memory</i>) or cancel a Delayed Fax or Polling Job. (See <i>Canceling a fax in progress</i> ►► page 28.) (►►Advanced User's Guide: <i>Checking and canceling waiting jobs</i>) If the problem continues, ask the telephone company to check your telephone line.
	If you often get transmission errors due to possible interference on the telephone line, try changing the menu setting of Compatibility to <i>Basic (for VoIP)</i> . (See <i>Telephone line interference / VoIP</i> ►► page 96.)
Sent faxes are blank.	Make sure you are loading the document properly. (See <i>Loading documents</i> ►► page 23.)
Poor fax send quality.	Try changing your resolution to <i>Fine</i> or <i>S. Fine</i> . Make a copy to check your machine's scanner operation. If the copy quality is not good, clean the scanner. (See <i>Cleaning the scanner</i> ►► page 64.)
Vertical black lines when sending.	Black vertical lines on faxes you send are typically caused by dirt or correction fluid on the glass strip. Clean the glass strip. (See <i>Cleaning the scanner</i> ►► page 64.)


Handling Incoming Calls

Difficulty	Suggestions
The machine "hears" a voice as a CNG Tone.	If Easy Receive is set to On, your machine is more sensitive to sounds. It may mistakenly interpret certain voices or music on the line as a fax machine calling and respond with fax receiving tones. Deactivate the machine by pressing Stop/Exit . Try avoiding this problem by turning Easy Receive to Off. (See <i>Easy Receive</i> ►► page 34.)
Sending a fax call to the machine.	If you answered on an extension telephone, press your Fax Receive Code (the factory setting is * 5 1). If you answered on the external telephone (connected to the EXT. jack), press Start to receive the fax. When your machine answers, hang up.

Handling Incoming Calls (continued)

Difficulty	Suggestions
Custom features on a single line.	<p>If you have Call Waiting, Call Waiting/Caller ID, Voice Mail, an alarm system or other custom feature on a single telephone line with your machine, it may create a problem sending or receiving faxes.</p> <p>For example: If you subscribe to Call Waiting or some other custom service and its signal comes through the line while your machine is sending or receiving a fax, the signal can temporarily interrupt or disrupt the faxes. Brother's ECM (Error Correction Mode) feature should help overcome this problem. This condition is related to the telephone system industry and is common to all devices that send and receive information on a single, shared line with custom features. If avoiding a slight interruption is crucial to your business, a separate telephone line with no custom features is recommended.</p>

Copying Difficulties

Difficulty	Suggestions
Cannot make a copy.	Make sure that the COPY  key is illuminated.
Poor copy results when using the ADF.	Try using the scanner glass. (See <i>Using the scanner glass</i> >> page 24.)
Vertical black lines or streaks appear in copies.	Vertical black lines or streaks on copies are typically caused by dirt or correction fluid on the scanner. Clean the glass strip and scanner glass and the white bar and white plastic above them. (See <i>Cleaning the scanner</i> >> page 64.)
Copies are blank.	Make sure you are loading the document properly. (See <i>Loading documents</i> >> page 23.)
Fit to Page does not work properly.	Make sure the document is not skewed on the scanner glass. Reposition the document and try again.

Scanning Difficulties

Difficulty	Suggestions
TWAIN or WIA errors appear when starting to scan. (Windows®)	Make sure the Brother TWAIN or WIA driver is chosen as the primary source in your scanning application. For example, in PaperPort™ 12SE with OCR, click Scan Settings , Select to choose the Brother TWAIN/WIA driver.
TWAIN or ICA errors appear when starting to scan. (Macintosh)	Make sure the Brother TWAIN driver is chosen as the primary source. In PageManager, click File , Select Source and choose the Brother TWAIN driver. Mac OS X 10.6.x users can also scan documents using the ICA Scanner Driver. >>Software User's Guide: <i>Scanning a document using the ICA driver (Mac OS X 10.6.x)</i>
Poor scanning results when using the ADF.	Try using the scanner glass. (See <i>Using the scanner glass</i> >> page 24.)
OCR does not work.	<p>Try increasing the scanner resolution.</p> <p>(Macintosh users)</p> <p>Make sure you have finished downloading and installing Presto! PageManager from: http://nj.newsoft.com.tw/download/brother/PM9SEInstaller_BR_multilang.dmg</p>

B

Software Difficulties

Difficulty	Suggestions
Cannot install software or print.	(Windows® users only) Run the Repair MFL-Pro Suite program on the CD-ROM. This program will repair and reinstall the software.
“Device Busy”	Make sure the machine is not showing an error message on the LCD.
Cannot print images from FaceFilter Studio.	To use FaceFilter Studio, you must install the FaceFilter Studio application from the CD-ROM supplied with your machine. (►►Quick Setup Guide) Also, before you start FaceFilter Studio for the first time, you must make sure your Brother machine is turned on and connected to your computer. This will allow you to access all the functions of FaceFilter Studio.

PhotoCapture Center™ Difficulties

Difficulty	Suggestions
Removable Disk does not work properly.	<ol style="list-style-type: none"> 1 Take out the memory card or USB Flash memory drive and put it back in again. 2 If you have tried “Eject” from within Windows®, take out the memory card or USB Flash memory drive before you continue. 3 If an error message appears when you try to eject the memory card or USB Flash memory drive, it means the card is being accessed. Wait a while and then try again. 4 If all of the above do not work, turn off your PC and machine, and then turn them on again. (You will have to unplug the power cord of the machine to turn it off.)
Cannot access Removable Disk from Desktop icon.	Make sure that you have correctly inserted the memory card or USB Flash memory drive.
Part of my photo is missing when printed.	Make sure that Borderless printing and Cropping are turned off. (►►Advanced User’s Guide: <i>Borderless printing</i> and <i>Cropping</i>)

Network Difficulties

Difficulty	Suggestions
Cannot print over the network.	<p>Make sure that your machine is powered on and is online and in Ready mode. Print a Network Configuration list (►►Advanced User’s Guide: <i>Reports</i>) and check the current Network settings printed in this list. Reconnect the LAN cable to the hub to verify that the cabling and network connections are good. If possible, try connecting the machine to a different port on your hub using a different cable. If the connections are good, the machine shows LAN Active for 2 seconds.</p> <p>If you are using a wireless connection or are having Network problems ►►Network User’s Guide: <i>Troubleshooting</i></p>

Network Difficulties (continued)

Difficulty	Suggestions
The network scanning feature does not work.	<p>(Windows® users)</p> <p>It is necessary to configure the third-party Security/Firewall Software to allow Network scanning. To add port 54925 for Network scanning, enter the information below:</p> <p>In Name: Enter any description, for example Brother NetScan.</p> <p>In Port number: Enter 54925.</p> <p>In Protocol: UDP is selected.</p> <p>Please refer to the instruction manual that came with your third-party Security/Firewall Software or contact the software manufacturer.</p> <p>(Macintosh users)</p> <p>Re-select your machine in the Device Selector application located in Macintosh HD/Library/Printers/Brother/Utilities/DeviceSelector or from the model list in ControlCenter2.</p>
The network PC-Fax Receive feature does not work.	<p>(Windows® users only)</p> <p>It is necessary to set the third-party Security/Firewall Software to allow PC-FAX Rx. To add port 54926 for Network PC-FAX Rx, enter the information below:</p> <p>In Name: Enter any description, for example Brother PC-FAX Rx.</p> <p>In Port number: Enter 54926.</p> <p>In Protocol: UDP is selected.</p> <p>Please refer to the instruction manual that came with your third-party Security/Firewall Software or contact the software manufacturer.</p>
The Brother software cannot be installed.	<p>(Windows® users)</p> <p>If the Security Software warning appears on the PC screen during the installation, change the Security Software settings to permit the Brother product setup program or other program to run.</p> <p>(Macintosh users)</p> <p>If you are using a firewall function of anti-spyware or antivirus security software, temporarily disable it and then install the Brother software.</p>
Cannot connect to wireless network.	<p>Investigate the problem using the WLAN Report.</p> <p>Press Menu, and then press ▲ or ▼ to display Print Reports. Press Print Reports. Press ▲ or ▼ to display WLAN Report, and then press WLAN Report.</p> <p>(▶▶Network User's Guide)</p>
Reset the network settings.	<p>Press Menu, and then press ▲ or ▼ to display Network. Press Network. Press ▲ or ▼ to display Network Reset, and then press Network Reset.</p> <p>(▶▶Network User's Guide)</p>

Touchscreen Difficulties

Difficulty	Suggestions
The dial pad does not work when entering numbers or characters.	Use the touchscreen buttons to enter information.

Dial Tone

Setting the dial tone to Detection will shorten the dial detect pause.

- 1 Press **Menu**.
- 2 Press **▲** or **▼** to display Initial Setup.
- 3 Press Initial Setup.
- 4 Press **▲** or **▼** to display Dial Tone.
- 5 Press Dial Tone.
- 6 Press Detection or No Detection.
- 7 Press **Stop/Exit**.

Telephone line interference / VoIP

If you are having problems sending or receiving a fax due to possible interference on the telephone line, we recommend that you change the modem speed to minimize errors in fax operations.

- 1 Press **Menu**.
- 2 Press **▲** or **▼** to display Initial Setup.
- 3 Press Initial Setup.
- 4 Press **▲** or **▼** to display Compatibility.
- 5 Press Compatibility.
- 6 Press High, Normal or Basic (for VoIP).
 - Basic (for VoIP) reduces the modem speed to 9,600 bps and turns off color fax receiving and ECM, except for color fax sending. Unless interference is a recurring problem on your telephone line, you may prefer to use it only when needed.

To improve compatibility with most VoIP services, Brother recommends changing the compatibility setting to Basic (for VoIP).
 - Normal sets the modem speed at 14,400 bps.
 - High increases the modem speed to 33,600 bps. (factory setting)
- 7 Press **Stop/Exit**.



Note

VoIP (Voice over IP) is a type of phone system that uses an internet connection, rather than a traditional phone line.

Machine Information

Checking the serial number

You can see the machine's serial number on the LCD.

- 1 Press **Menu**.
- 2 Press **▲** or **▼** to display **Machine Info**.
- 3 Press **Machine Info**.
- 4 Press **Stop/Exit**.

Reset functions

The following reset functions are available:

1 Network

You can reset the print server back to its default factory settings, such as the password and IP address information.

2 Speed Dial&Fax

Speed Dial & Fax resets the following settings:

- Speed Dial
(Speed-Dial and Setup Groups)
- Programmed fax jobs in the memory
(Polled Transmit, Delayed Fax and Delayed Batch Transmission)
- Station ID
(Name and Number)
- Remote Fax Options
(Fax Forwarding and Paging)
- Report settings
(Transmission Verification Report, Quick Dial List and Fax Journal)
- History
(Caller ID history and Outgoing Call)
- Faxes in memory

3 All Settings

You can restore all settings to their factory defaults.

Brother strongly recommends performing this procedure before handing over or disposing of the machine.



Note

Unplug the interface cable before you choose **Network** or **All Settings**.

How to reset the machine

- 1 Press **Menu**.
- 2 Press **▲** or **▼** to display **Initial Setup**.
- 3 Press **Initial Setup**.
- 4 Press **▲** or **▼** to display **Reset**.
- 5 Press **Reset**.
- 6 Press the type of reset you want to use.
- 7 Press **Yes** to confirm.
- 8 Press **Yes** for 2 seconds to reboot the machine.

On-screen programming


Your machine is designed to be easy to operate with LCD on-screen programming using the menu buttons on the Touchscreen. User-friendly programming helps you take full advantage of all the menu selections your machine has to offer.

Since your programming is done on the LCD, we have created step-by-step on-screen instructions to help you program your machine. All you need to do is follow the instructions as they guide you through the menu selections and programming options.

Menu table

The menu table will help you understand the menu selections and options that are found in the machine's programs. The factory settings are shown in Bold with an asterisk.

Menu

Level1	Level2	Level3	Options	Descriptions	Page	
General Setup	Mode Timer	—	Off 0 Sec 30 Secs 1 Min 2 Mins* 5 Mins	Sets the amount of time before the machine returns to FAX mode.	See ♦.	
	Paper Type	—	Plain Paper* Inkjet Paper Brother BP71 Brother BP61 Other Glossy Transparency	Sets the type of paper in the paper tray.	18	
	Paper Size	—	Letter* Legal A4 A5 EXE 4"x6"	Sets the size of paper in the paper tray.	18	
	Volume	Ring		Off Low Med* High	Adjusts the ring volume.	See ♦.
		Beeper		Off Low* Med High	Adjusts the beeper volume.	
		Speaker		Off Low Med* High	Adjusts the speaker volume.	
♦ See Advanced User's Guide.						
 The factory settings are shown in Bold with an asterisk.						

Level1	Level2	Level3	Options	Descriptions	Page
General Setup (Continued)	Auto Daylight	—	On Off*	Change this setting to On if you want the machine to change automatically for Daylight Saving Time.	See ◆ .
	LCD Settings	Backlight	Light* Med Dark	You can adjust the brightness of the LCD backlight.	
		Dim Timer	Off 10 Secs 20 Secs 30 Secs*	You can set how long the LCD backlight stays on after the last key press.	
	Sleep Mode	—	1 Min 2 Mins 3 Mins 5 Mins* 10 Mins 30 Mins 60 Mins	You can choose how long the machine must be idle before it goes into Sleep mode.	
Fax	Setup Receive	Ring Delay	0 1 2 3 4*	Sets the number of rings before the machine answers in Fax Only or Fax/Tel mode.	33
		F/T Ring Time	20 Secs* 30 Secs 40 Secs 70 Secs	Sets the length of the pseudo/double-ring time in Fax/Tel mode.	33
		Fax Preview	On Off*	You can preview received faxes.	34
		Easy Receive	On* Off	Receives fax messages automatically when you answer a call and hear fax tones.	34
		Remote Codes	On* (*51, #51) Off	Allows you to answer all calls at an extension telephone and use codes to turn the machine on or off. You can personalize these codes.	43

◆ See Advanced User's Guide.




The factory settings are shown in Bold with an asterisk.

Level1	Level2	Level3	Options	Descriptions	Page
Fax (Continued)	Setup Receive (Continued)	Auto Reduction	On* Off	Reduces the size of incoming faxes.	See ◆.
		Memory Receive	Off* Fax Forward Paging Fax Storage PC Fax Receive	You can set the machine to either forward fax messages, call your pager, store incoming faxes in the memory (so you can retrieve them while you are away from your machine), or send faxes to your PC. If you choose Fax Forward or PC-Fax Receive, you can turn on the safety feature Backup Print.	
	Report Setting	Transmission	On On+Image Off* Off+Image	Choose the initial setup for Transmission Verification Report.	29
		Journal Period	Off Every 50 Faxes* Every 6 Hours Every 12 Hours Every 24 Hours Every 2 Days Every 7 Days	Sets the interval for the automatic printing of the Fax Journal. If you have chosen other than Off and Every 50 Faxes, you can set the time for the chosen option. If you have chosen Every 7 Days, you can set the day of the week.	See ◆.
	Print Fax	—	—	Prints incoming faxes stored in the memory.	
	Remote Access	—	---*	Set your own code for Remote Retrieval.	
Remaining Jobs	—	—	Check which jobs are in the memory and cancel chosen jobs.		


◆ See Advanced User's Guide.



The factory settings are shown in Bold with an asterisk.

Level1	Level2	Level3	Options	Descriptions	Page
Fax (Continued)	Miscellaneous	Mem Security	—	Prohibits most functions except receiving faxes into memory.	See ♦ .
		Distinctive	Off* Set (On)	Uses the telephone company's Distinctive Ring subscriber service to register the ring pattern with the machine.	38
		Area Code (USA only)	—	Set up your 3-digit area code only if you do not dial it within your own area code.	See ♦ .
♦ See Advanced User's Guide.					
 The factory settings are shown in Bold with an asterisk.					

Network menu

Level1	Level2	Level3	Level4	Options	Descriptions	Page
Network	Wired LAN	TCP/IP	BOOT Method	Auto* Static RARP BOOTP DHCP	Choose the BOOT method that best suits your needs.	See +.
			IP Address	[000-255]. [000-255]. [000-255]. [000-255]	Enter the IP address.	
			Subnet Mask	[000-255]. [000-255]. [000-255]. [000-255]	Enter the Subnet mask.	
			Gateway	[000-255]. [000-255]. [000-255]. [000-255]	Enter the Gateway address.	
			Node Name	BRNXXXXXXXXXXXX	Enter the Node name.	
			WINS Config	Auto* Static	Chooses the WINS configuration mode.	
			WINS Server	(Primary) 000.000.000.000 (Secondary) 000.000.000.000	Specifies the IP address of the primary or secondary WINS server.	
			DNS Server	(Primary) 000.000.000.000 (Secondary) 000.000.000.000	Specifies the IP address of the primary or secondary DNS server.	
			APIPA	On* Off	Automatically allocates the IP address from the link-local address range.	
+ See Network User's Guide.						
 The factory settings are shown in Bold with an asterisk.						

Level1	Level2	Level3	Level4	Options	Descriptions	Page
Network (Continued)	Wired LAN (Continued)	Ethernet	—	Auto* 100B-FD 100B-HD 10B-FD 10B-HD	Chooses the Ethernet link mode.	See + .
		MAC Address	—	—	You can see your machine's MAC address.	
	WLAN	TCP/IP	BOOT Method	Auto* Static RARP BOOTP DHCP	Chooses the BOOT method that best suits your needs.	
			IP Address	[000-255]. [000-255]. [000-255]. [000-255]	Enter the IP address.	
			Subnet Mask	[000-255]. [000-255]. [000-255]. [000-255]	Enter the Subnet mask.	
			Gateway	[000-255]. [000-255]. [000-255]. [000-255]	Enter the Gateway address.	
			Node Name	BRWXXXXXXXXXXXX	Enter the Node name.	
			WINS Config	Auto* Static	Chooses the WINS configuration mode.	
			WINS Server	(Primary) 000.000.000.000 (Secondary) 000.000.000.000	Specifies the IP address of the primary or secondary WINS server.	
			DNS Server	(Primary) 000.000.000.000 (Secondary) 000.000.000.000	Specifies the IP address of the primary or secondary DNS server.	

+ See Network User's Guide.




The factory settings are shown in Bold with an asterisk.

Level1	Level2	Level3	Level4	Options	Descriptions	Page
Network (Continued)	WLAN (Continued)	TCP/IP (Continued)	APIPA	On* Off	Automatically allocates the IP address from the link-local address range.	See + .
		Setup Wizard	—	—	You can manually configure your print server for a wireless network.	
		WPS/AOSS	—	—	You can easily configure your wireless network settings using the one-button push method.	
		WPS w/PIN Code	—	—	You can easily configure your wireless network settings using WPS with a PIN code.	
		WLAN Status	Status	—	You can see the current wireless network status.	
			Signal	—	You can see the current wireless network signal strength.	
			SSID	—	You can see the current SSID.	
			Comm. Mode	—	You can see the current Communication Mode.	
		MAC Address	—	—	You can see your machine's MAC address.	
		Web Connect settings	Proxy Settings	Proxy Connection	On Off*	
	Address			—		
	Port			—		
	User Name			—		
	Password			—		
Network I/F	—	Wired LAN* WLAN	—	You can choose the network connection type.		


+ See Network User's Guide.




The factory settings are shown in Bold with an asterisk.





Level1	Level2	Level3	Level4	Options	Descriptions	Page
Network (Continued)	Network Reset	—	—	—	Restore all network settings to factory default.	See + .
+ See Network User's Guide.						
 The factory settings are shown in Bold with an asterisk.						


Menu (continued)

Level1	Level2	Level3	Options	Descriptions	Page
Print Reports	Transmission	—	—	Prints these lists and reports.	See ◆ .
	Quick Dial	—	Alphabetical Order Numerical Order		
	Fax Journal	—	—		
	User Settings	—	—		
	Network Config	—	—		
	WLAN Report	—	—		
	Caller ID hist.	—	—		
Machine Info.	Serial No.	—	—	Lets you check the serial number of your machine.	97
Initial Setup	Receive Mode	—	Fax Only* Fax/Tel External TAD Manual	Choose the receive mode that best suits your needs.	30
	Date&Time	—	—	Puts the date and time on the LCD and in headings of faxes you send.	See ‡ .
	Station ID	—	Fax: Name:	Enter your name and fax number to appear on each page you fax.	
	Tone/Pulse (Canada only)	—	Tone* Pulse	Choose the dialing mode.	
	Dial Tone	—	Detection No Detection*	You can shorten the dial tone detect pause.	96
◆ See Advanced User's Guide. ‡ See Quick Setup Guide. □ See Software User's Guide.					
 The factory settings are shown in Bold with an asterisk.					


Level1	Level2	Level3	Options	Descriptions	Page
Initial Setup (Continued)	Compatibility	—	High* Normal Basic(for VoIP)	Adjusts the modem speed to help resolve transmission problems.	96
	Reset	Network	—	Resets the print server back to its factory default settings, such as the password and IP address information.	97
		Speed Dial&Fax	—	Deletes all stored Speed Dial numbers and faxes, restores the Station ID, Quick Dial List, Transmission Verification Report and Fax Journal back to the factory default settings.	
		All Settings	—	Resets all the machine's settings back to the factory settings.	
	Local Language (USA only)	—	English* Spanish	Allows you to change the LCD language for your country.	See ‡ .
	Local Language (Canada only)	—	English* French	Allows you to change the LCD language for your country.	
	Disc Print Alignment	—	—	You can align the print position.	See □.
<p>◆ See Advanced User's Guide.</p> <p>‡ See Quick Setup Guide.</p> <p>□ See Software User's Guide.</p>					
<p> The factory settings are shown in Bold with an asterisk.</p>					


FAX ()

Level1	Level2	Level3	Options	Descriptions	Page
Call History	Outgoing Call	Send a fax	—	You can choose a number from the Outgoing Call history and then send a fax to it, add it to Speed Dial, or delete it.	See  .
		More	Add to Speed Dial		
	Caller ID hist.	Send a fax	—		
		More	Add to Speed Dial Delete		
Speed Dial	—	Send a fax	—	You can dial by pressing only a few keys (and Start).	45
		More	Set Speed Dial	You can store Speed Dial numbers, so you can dial by pressing only a few buttons on the Touchscreen (and Start).	46
			Setup Groups	You can set up Group numbers for Broadcasting.	See  .
			Change	You can change Speed Dial numbers.	47
			Delete	You can delete Speed Dial numbers.	
Fax Resolution	—	—	Standard* Fine S.Fine Photo	Sets the resolution for outgoing faxes.	See  .
Contrast	—	—	Auto* Light Dark	Changes the lightness or darkness of faxes you send.	
Volume (Appears after pressing Hook)	—	—	Off Low Med* High	Adjusts the volume level of the speaker.	
◆ See Advanced User's Guide.					
 The factory settings are shown in Bold with an asterisk.					




Level1	Level2	Level3	Options	Descriptions	Page
Advanced Settings	Broadcasting	Add Number	—	You can send the same fax message to more than one fax number.	See ♦.
		Speed Dial	—		
	Preview	—	On Off*	You can preview a fax message before send it.	28
	Delayed Fax	—	On Off*	Sets the time of day in 24-hour format that the delayed faxes will be sent.	See ♦.
	Batch TX	—	On Off*	Combines delayed faxes to the same fax number at the same time of day into one transmission.	
	Real Time TX	—	On Off*	You can send a fax without using the memory.	
	Polled TX	—	On Off*	Sets up your machine with a document to be retrieved by another fax machine.	
	Polling RX	—	On Off*	Sets up your machine to poll another fax machine.	
	Overseas Mode	—	On Off*	If you are having difficulty sending faxes overseas, set this to On.	
Glass ScanSize	—	Letter* A4	Adjust the scan area of the scanner glass to the size of the document.	28	
Set New Default	—	—	Fax Resolution Contrast Glass ScanSize Real Time TX Preview	You can save your fax settings.	See ♦.
Factory Reset	—	—	—	You can restore all settings back to the factory settings.	
♦ See Advanced User's Guide.					
 The factory settings are shown in Bold with an asterisk.					

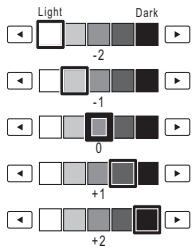

SCAN ()

Level1	Option1	Option2	Option3	Descriptions	Page
to File	—	—	—	You can scan a black & white or a color document into your computer.	See □.
to Media (when a memory card or USB Flash memory drive is inserted)	Quality	—	Color 100 dpi Color 200 dpi* Color 300 dpi Color 600 dpi B/W 100 dpi B/W 200 dpi B/W 300 dpi	You can choose the scan resolution and file format for your document.	54
	File Type	—	(If you choose color option in Quality setting) PDF* JPEG		
			(If you choose B&W option in Quality setting) TIFF PDF*		
	File Name	—	—	You can rename the file.	
	Auto Crop	—	On Off*	Scan multiple documents placed on the scanner glass to a memory card or USB Flash memory drive one at a time.	See ◆.
	Set New Default	—	Quality File Type Auto Crop	You can save your scan settings as the default settings.	
Factory Reset	—	—	You can restore all settings back to the factory settings.		
<p>□ See Software User's Guide.</p> <p>◆ See Advanced User's Guide.</p>					
<p> The factory settings are shown in Bold with an asterisk.</p>					


Level1	Option1	Option2	Option3	Descriptions	Page
to Email	—	—	—	You can scan a black & white or a color document into your E-mail application.	See <input type="checkbox"/> .
to OCR (Available after Presto! PageManager is downloaded for Macintosh users. See <i>Accessing Brother Support (Macintosh)</i> >> page 5.)	—	—	—	You can have your text document converted to an editable text file.	
to Image	—	—	—	You can scan a color picture into your graphics application.	
Web Service (Appears when you install a Web Services Scan, which is displayed in your computer's Network Explorer.)	Scan	—	—	You can scan data by using the Web Services protocol.	
	Scan for E-mail	—	—		
	Scan for OCR	—	—		
	Scan for Fax	—	—		
	Scan for Print	—	—		
<input type="checkbox"/> See Software User's Guide. <input checked="" type="checkbox"/> See Advanced User's Guide.					
 The factory settings are shown in Bold with an asterisk.					

COPY ()

Level1	Level2	Level3	Options	Descriptions	Page
Quality	—	—	Fast Normal* Best	Choose the Copy resolution for the next copy.	See  .
Paper Type	—	—	Plain Paper* Inkjet Paper Brother BP71 Brother BP61 Other Glossy Transparency	Choose the paper type that matches the paper in the tray.	49
Paper Size	—	—	Letter* Legal A4 A5 EXE 4"x6"	Choose the paper size that matches the paper in the tray.	49
Enlarge/Reduce	100%*	—	—	—	See  .
	Enlarge	—	198% 4"x6"→A4 186% 4"x6"→LTR 104% EXE→LTR	You can choose the enlargement ratio for the next copy.	
	Reduce	—	97% LTR→A4 93% A4→LTR 85% LTR→EXE 83% LGL→A4 78% LGL→LTR 46% LTR→4"x6"	You can choose the reduction ratio for the next copy.	
	Fit to Page	—	—	Your machine will adjust the size automatically to the paper size you set.	
	Custom(25-400%)	—	—	You can enter an enlargement or reduction ratio.	
◆ See Advanced User's Guide.					
 The factory settings are shown in Bold with an asterisk.					

Level1	Level2	Level3	Options	Descriptions	Page
Density	—	—		Adjusts the density of copies.	See ◆ .
Stack/Sort	—	—	Stack* Sort	You can choose to stack or sort multiple copies.	
Page Layout	—	—	Off (1in1)* 2in1 (P) 2in1 (L) 2in1 (ID) 4in1 (P) 4in1 (L) Poster (2x1) Poster (2x2) Poster (3x3)	You can make N in 1, 2 in 1 ID, or Poster copies.	
Duplex Copy	On	Advanced	Normal* Duplex1 Duplex2	You can choose the duplex print settings.	
		Portrait Long EdgeFlip	—		
		Landscape Long EdgeFlip	—		
		Portrait Short EdgeFlip	—		
	Landscape Short EdgeFlip	—			
	Off*	—	—		
Advanced Settings	—	—	Off* Ink Save Mode Thin Paper Copy Book Copy Watermark Copy	You can choose various settings for copy such as Book Copy and Watermark Copy.	
Favorite Settings	Store	—	Favorite:1 Favorite:2 Favorite:3	You can save your Favorite settings.	
	Rename				
◆ See Advanced User's Guide.					
 The factory settings are shown in Bold with an asterisk.					

Watermark Copy Settings

Option1	Option2	Option3	Option4	Descriptions	Page
Edit Template	Text	—	CONFIDENTIAL* DRAFT COPY	Uses a template to place text into your document as a Watermark.	See  .
	Position		A B C D E* F G H I Pattern		
	Size		Small Medium* Large		
	Angle		-90° -45°* 0° +45° +90°		
	Transparency		-2 -1 0* +1 +2		
	Color		Black* Green Blue Purple Red Orange Yellow		

◆ See Advanced User's Guide.



The factory settings are shown in Bold with an asterisk.



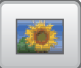





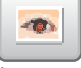


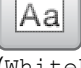

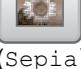

Option1	Option2	Option3	Option4	Descriptions	Page
Use Image	Scan (Set watermark document and press Start .)	Transparency	-2	You can choose the level of transparency of the watermark as you scan it from a paper document.	See ◆ .
			-1		
	0*				
	+1				
	+2				
Media (Select image from media)	Position	A	Places a logo or text into your document as a Watermark using an image from removable media.		
		B			
		C			
		D			
Media (Select image from media)	Position	E*	Places a logo or text into your document as a Watermark using an image from removable media.		
		F			
		G			
		H			
Media (Select image from media)	Position	I	Places a logo or text into your document as a Watermark using an image from removable media.		
		Pattern			
		Size		Small	
		Medium*			
Media (Select image from media)	Size	Large	Places a logo or text into your document as a Watermark using an image from removable media.		
		Angle		-90°	
		-45°*			
		0°			
Media (Select image from media)	Angle	+45°	Places a logo or text into your document as a Watermark using an image from removable media.		
		+90°			
		Transparency		-2	
		-1			
Media (Select image from media)	Transparency	0*	Places a logo or text into your document as a Watermark using an image from removable media.		
		+1			
		+2			
◆ See Advanced User's Guide.					
	The factory settings are shown in Bold with an asterisk.				


PHOTO ()

Level1	Level2	Level3	Options	Descriptions	Page
View Photo(s)	 (Print All Photos)	 (Auto Correct)	See the print settings in the following table.	You can print all photos in your memory card or USB Flash memory drive.	53
	 (Slide Show)			The machine starts a Slide Show of your photos.	
				The machine decides the appropriate effect for your photo.	See  .
Enhance Photo	Enhance	 (Auto Correct)	See the print settings in the following table.	You can adjust your photos with these settings.	
		 (Enhance Skin)			
		 (Enhance Scenery)			
		 (Remove Red-Eye)			
		 (Night Scene)			
		 (Fill Light)			
		 (Whiteboard)			
		 (Monochrome)			
		 (Sepia)			
		 (Auto Correct & Remove Red-Eye)			
	Trim	—		You can trim your photo and print a part of the image.	

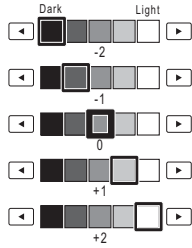

◆ See Advanced User's Guide.

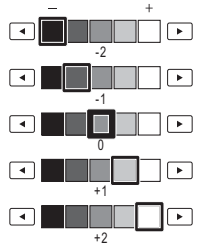
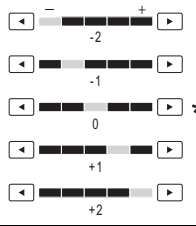
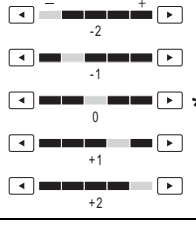
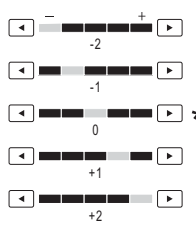




The factory settings are shown in Bold with an asterisk.

Level1	Level2	Level3	Options	Descriptions	Page
Index Print	Index Sheet	6 Images/Line 5 Images/Line	See the print settings in the following table.	You can print a thumbnail page.	See ◆ .
	Print Photos	—		You can print an individual image.	
◆ See Advanced User's Guide.					
 The factory settings are shown in Bold with an asterisk.					


Print Settings

Option1	Option2	Option3	Option4	Descriptions	Page
Print Quality (Does not appear when DPOF Print is chosen.)	Normal Photo*	—	—	Choose the print quality.	See ◆ .
Paper Type	Plain Paper Inkjet Paper Brother BP71 Brother BP61 Other Glossy*	—	—	Choose the paper type.	
Paper Size	4"x6"* 5"x7" Letter A4	(When A4 or Letter is chosen) 3"x4" 3.5"x5" 4"x6" 5"x7" 6"x8" Max. Size*	—	Choose the paper and print size.	
Brightness (Does not appear when Enhance is chosen.)		—	—	Adjusts the brightness.	
◆ See Advanced User's Guide.					
 The factory settings are shown in Bold with an asterisk.					


Option1	Option2	Option3	Option4	Descriptions	Page
Contrast (Does not appear when Enhance is chosen.)		—	—	Adjusts the contrast.	See ◆ .
True2Life (Does not appear when Enhance is chosen.)	On Off*	White Balance		Adjusts the hue of the white areas.	
		Sharpness		Enhances the detail of the image.	
		Color Density		Adjusts the total amount of color in the image.	
Cropping	On* Off	—	—	Crops the image around the margin to fit the paper size or print size. Turn this feature off if you want to print whole images or prevent unwanted cropping.	
Borderless	On* Off	—	—	Expands the printable area to fit the edges of the paper.	
Print Date (Does not appear when DPOF Print is chosen.)	On Off*	—	—	Prints the date on your photo.	
◆ See Advanced User's Guide.					
 The factory settings are shown in Bold with an asterisk.					

Option1	Option2	Option3	Option4	Descriptions	Page
Set New Default	Print Quality Paper Type Paper Size Brightness Contrast True2Life Cropping Borderless Print Date	—	—	You can save your print settings as the default settings.	See ◆ .
Factory Reset	—	—	—	You can restore all the settings to factory settings.	
◆ See Advanced User's Guide.					
 The factory settings are shown in Bold with an asterisk.					


Speed Dial ()

Level1	Level2	Level3	Options	Descriptions	Page
Speed Dial	Send a fax	—	—	You can dial by pressing only a few keys (and Start).	45
	More	Set Speed Dial	—	You can set up Speed Dial numbers, so you can dial by pressing only a few buttons on the Touchscreen (and Start).	46
		Setup Groups	—	You can set up Group numbers for Broadcasting.	See ◆ .
		Change	—	You can change Speed Dial numbers.	47
		Delete	—	You can delete Speed Dial numbers.	
◆ See Advanced User's Guide.					
 The factory settings are shown in Bold with an asterisk.					


Call History ()

Level1	Level2	Level3	Options	Descriptions	Page
Call History	Outgoing Call	Send a fax	—	You can choose a number from the Outgoing Call history and then send a fax to it, add it to Speed Dial, or delete it.	See ◆ .
		More	Add to Speed Dial		
			Delete		
	Caller ID hist.	Send a fax	—		
		More	Add to Speed Dial		
			Delete		
◆ See Advanced User's Guide.					
 The factory settings are shown in Bold with an asterisk.					


Fax Preview

Level1	Level2	Level3	Options	Descriptions	Page
Fax Preview	—	—	Yes No*	You can view faxes you receive on the LCD screen.	34
 The factory settings are shown in Bold with an asterisk.					

Ink ()

Level1	Level2	Level3	Options	Descriptions	Page
Ink	Test Print	—	Print Quality Alignment	Lets you check the print quality or alignment.	65
	Cleaning	—	Black Color All	Lets you clean the print head.	65
	Ink Volume	—	—	Lets you check the available ink volume.	See ◆ .
◆ See Advanced User's Guide.					
 The factory settings are shown in Bold with an asterisk.					

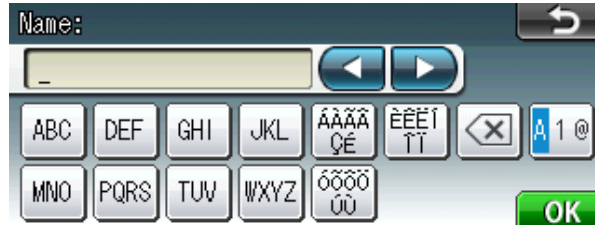
Disc

Level1	Level2	Level3	Options	Descriptions	Page
Disc	Copy from disc	—	—	You can print on printable media, including CD-R/RW, DVD-R/RW and Blu-ray Disc™.	See <input type="checkbox"/> .
	Copy from photo	—	—		
	Print from card	—	—		
<input type="checkbox"/> See Software User's Guide.					
 The factory settings are shown in Bold with an asterisk.					

Entering Text

When you are setting certain menu selections, you may need to enter text into the machine.

Press **A1@** to cycle between letters, numbers and special characters. By pressing the proper button repeatedly, you can access the character you want.



Inserting spaces


To enter a space, press **A1@** to choose special characters, then press the space button  or .




Note

The characters available may differ depending on your country.

Making corrections

If you entered an incorrect character and want to change it, use the arrow buttons to move the cursor under the incorrect character. Then press . Re-enter the correct character. You can also insert letters by moving the cursor and entering a character.

Repeating letters

If you need to enter a character that is on the same button as the letter before it, press  to move the cursor to the right before you press the same button again.

General



Note

This chapter provides a summary of the machines' specifications. For additional specifications visit <http://www.brother.com/> for details.

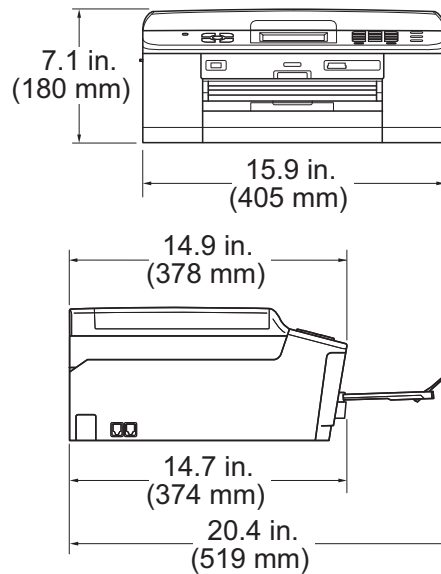
Printer Type	Inkjet	
Print Head	Black:	Piezo with 210 × 1 nozzle
	Color:	Piezo with 210 × 3 nozzles
Memory Capacity	64 MB	
LCD (Liquid Crystal Display)	Touchscreen 3.3 in. (82.8 mm) TFT Color LCD ¹	
Power Source	AC 100 to 120 V 50/60 Hz	
Power Consumption ²	Copy Mode:	Approx. 23 W ³
	Ready Mode:	Approx. 6 W
	Sleep Mode:	Approx. 2.5 W
	Off:	Approx. 0.2 W

¹ Measured diagonally.

² Measured when the machine is connected to the USB interface.

³ When using ADF, single-side printing, resolution: standard / document: ISO/IEC 24712 printed pattern.

Dimensions



Weight	20.5 lb (9.3kg)
Noise	Operating: 50 dB or less ¹
Temperature	Operating: 50 to 95 °F (10 to 35 °C) Best Print Quality: 68 to 91 °F (20 to 33 °C)
Humidity	Operating: 20 to 80% (without condensation) Best Print Quality: 20 to 80% (without condensation)
ADF (automatic document feeder)	Up to 15 pages ² (Paper: 24 lb (90 g/m ²) Letter or A4 size) Up to 20 pages with conditions ³
Document Size	ADF Width: 5.8 in. to 8.5 in. (148 mm to 215.9 mm) ADF Length: 5.8 in. to 14.0 in. (148 mm to 355.6 mm) Scanner Glass Width: Max. 8.5 in. (215.9 mm) Scanner Glass Length: Max. 11.7 in. (297 mm)

¹ Noise depends on printing conditions.

² Using standard 17 lb to 24 lb paper.

³ Using either BP60MPLTR or XEROX4200 20 lb paper, temperature 68 - 78.8 °F (20 - 26 °C), humidity 40 - 50% without condensation.

Print media

Paper Input

Paper Tray

- Paper Type:

Plain Paper, Inkjet Paper (coated paper),
Glossy Paper¹ and Transparency^{1 2}

- Paper Size:

Letter, Legal, Executive, A4, A5, A6, Envelopes (commercial No.10,
DL, C5, Monarch), Photo 4" × 6", Photo 2L 5" × 7",
Index Card 5" × 8"³

Width: 3.86 in. - 8.5 in. (98 mm - 215.9 mm)

Length: 5.8 in. - 14 in. (148 mm - 355.6 mm)

For more details, see *Paper weight, thickness and capacity*
➤➤ page 22.

- Maximum paper tray capacity:

Up to 100 sheets of 20 lb (80 g/m²) plain paper

Photo Bypass Tray (USA)

Photo Paper Tray (Canada)

- Paper type:

Plain Paper, Inkjet Paper (coated paper) and Glossy Paper¹

- Paper size:

Photo 4" × 6" and Photo L 3.5" × 5"

Width: 3.5 in. - 4.0 in. (89 mm - 102 mm)

Length: 5.0 in. - 6.0 in. (127 mm - 152 mm)

- Maximum paper tray capacity:

Up to 20 sheets

Paper Output

Up to 50 sheets of 20 lb (80 g/m²) plain paper (face up print delivery to the
output paper tray)¹

¹ For glossy paper or transparencies, remove printed pages from the output paper tray immediately after they exit the machine to avoid smudging.

² Use only transparencies recommended for inkjet printing.

³ See *Paper type and size for each operation* ➤➤ page 21.

Fax

Compatibility	ITU-T Super Group 3
Modem Speed	Automatic Fallback 33,600 bps
Scanning Width	8.2 in. (208 mm) (Letter)
Printing Width	8.26 in. (210 mm)
Gray Scale	Levels: 64 (B&W) / 256 (Color)
Resolution	Standard 203 × 98 dpi (Black) 203 × 196 dpi (Color) Fine 203 × 196 dpi (Black/Color) Superfine 203 × 392 dpi (Black) Photo 203 × 196 dpi (Black)
Speed Dial	100 stations × 2 numbers
Groups	Up to 6
Broadcasting	250 (200 Speed Dial / 50 Manual Dial)
Automatic Redial	1 time after 5 minutes
Memory Transmission	Up to 400 ¹ pages
Out of Paper Reception	Up to 400 ¹ pages

¹ "Pages" refers to the "ITU-T Test Chart #1" (a typical business letter, Standard resolution, MMR code). Specifications and printed materials are subject to change without prior notice.

Copy

Color/Black	Yes/Yes
Copy Width	Max. 8.26 in. (210 mm)
Multiple Copies	Stacks/Sorts up to 99 pages
Enlarge/Reduce	25% to 400% (in increments of 1%)
Resolution	Prints up to 1200 × 1200 dpi
Duplex (2-sided)	<ul style="list-style-type: none">■ Paper Type: Plain paper■ Paper Size: Letter, A4, A5, Executive

PhotoCapture Center™

Compatible Media ¹

Memory Stick™ (16 MB - 128 MB)
Memory Stick PRO™ (256 MB - 32 GB)
(Not available for music data with MagicGate™)
Memory Stick Duo™ (16 MB - 128 MB)
Memory Stick PRO Duo™ (256 MB - 32 GB)
Memory Stick Micro™ (M2™) with Adapter
MultiMedia Card (32 MB - 2 GB)
MultiMedia Card plus (128 MB - 4 GB)
MultiMedia Card mobile with Adapter (64 MB - 1 GB)
SD (16 MB to 2 GB)
miniSD with Adapter
microSD with Adapter
SDHC (4 GB to 32 GB)
miniSDHC with Adapter
microSDHC with Adapter
USB Flash memory drive ²
SDXC (48GB - 64GB)

Resolution

Up to 1200 × 2400 dpi

File Extension

(Media Format)

DPOF (ver. 1.0, ver. 1.1), Exif DCF (up to ver. 2.1)

(Image Format)

Photo Print: JPEG ³, AVI ⁴, MOV ⁴

Scan to Media: JPEG, PDF (Color)

TIFF, PDF (Black & White)

Color Enhancement

True2Life™

Photo Enhance

Auto Correct, Enhance Skin, Enhance Scenery, Trimming,
Slide Show, Remove Red-eye, Night Scene, Fill Light,
Whiteboard, Monochrome and Sepia

Number of Files

Up to 999 files

(The folder inside memory cards or USB Flash memory drive is also counted.)

Folder

File must be stored in the 4th folder level of the memory card or USB Flash memory drive.

Borderless

Letter, A4, Photo 4" × 6", Photo 2L 5" × 7" ⁵

¹ Memory cards, adapters and USB Flash memory drive are not included.

² USB 2.0 Standard
USB Mass Storage standard from 16 MB to 32 GB
Support format: FAT12/FAT16/FAT32/exFAT

³ Progressive JPEG format is not supported.

⁴ Motion JPEG only

⁵ See *Paper type and size for each operation* ►► page 21.

PictBridge

D

Compatibility

Supports the Camera & Imaging Products Association PictBridge standard CIPA DC-001.

Visit <http://www.cipa.jp/pictbridge/> for more information.

Interface

USB direct interface

Scanner

Color/Black	Yes/Yes
TWAIN Compliant	Yes (Windows® XP ¹ /Windows Vista®/Windows® 7) Mac OS X 10.4.11, 10.5.x, 10.6.x ²
WIA Compliant	Yes (Windows® XP ¹ /Windows Vista®/Windows® 7)
ICA Compliant	Yes (Mac OS X 10.6.x)
Color Depth	48 bit color Processing (Input) 24 bit color Processing (Output)
Resolution	Up to 19200 × 19200 dpi (interpolated) ³ Up to 2400 × 2400 dpi (optical) (Scanner Glass) Up to 2400 × 1200 dpi (optical) (ADF)
Scanning Width and Length	Width: Up to 8.3 in. (210 mm) Length: Up to 11.46 in. (291 mm)
Gray Scale	256 levels

¹ Windows® XP in this User's Guide includes Windows® XP Home Edition, Windows® XP Professional, and Windows® XP Professional x64 Edition.

² For the latest driver updates for the Mac OS X you are using, visit us at <http://solutions.brother.com/>.

³ Maximum 1200 × 1200 dpi scanning when using the WIA Driver for Windows® XP, Windows Vista® and Windows® 7 (resolution up to 19200 × 19200 dpi can be selected by using the Brother scanner utility).

Printer

Resolution	Up to 1200 × 6000 dpi
Printing Width ³	8.26 in. [8.5 in. (borderless) ¹]
Borderless ²	Letter, A4, A6, Photo 4" × 6", Index Card 5" × 8" Photo L 3.5" × 5", Photo 2L 5" × 7"
Duplex (2-sided)	■ Paper Type: Plain paper ■ Paper Size: Letter, A4, A5, A6, Executive
Print Speed ⁴	

¹ When the Borderless feature is set to On.

² See *Paper type and size for each operation* ►► page 21.

³ When printing on letter size paper.

⁴ For detailed specifications visit <http://www.brother.com/>.

Interfaces

USB ^{1 2}	Use a USB 2.0 interface cable that is no longer than 6 feet (2 m).
LAN ³	Use an Ethernet UTP cable category 5 or greater.
Wireless LAN	IEEE 802.11b/g/n (Infrastructure/Ad-hoc Mode)

¹ Your machine has a USB 2.0 Hi-Speed interface. The machine can also be connected to a computer that has a USB 1.1 interface.

² Third party USB ports are not supported.

³ See *Network (LAN)* >> page 135.

>>Network User's Guide: *Supported protocols and security features*

Computer requirements

SUPPORTED OPERATING SYSTEMS AND SOFTWARE FUNCTIONS								
Computer Platform & Operating System Version		Supported PC Software Functions	PC Interface	Processor Minimum Speed	Minimum RAM	Recommended RAM	Hard Disk Space to install	
							For Drivers	For Applications
Windows® Operating System	Windows® XP Home ^{1 4} Windows® XP Professional ^{1 4}	Printing, PC Fax ³ , Scanning, Removable Disk ⁵	USB, 10/100 Base-TX (Ethernet), Wireless 802.11b/g/n	Intel® Pentium® II or equivalent	128 MB	256 MB	150 MB	1 GB
	Windows® XP Professional x64 Edition ^{1 4}			64-bit (Intel® 64 or AMD64) supported CPU	256 MB	512 MB	150 MB	1 GB
	Windows Vista® ^{1 4}			Intel® Pentium® 4 or equivalent	512 MB	1 GB	500 MB	1.3 GB
	Windows® 7 ^{1 4}			64-bit (Intel® 64 or AMD64) supported CPU	1 GB (32 bit) 2 GB (64 bit)	1 GB (32 bit) 2 GB (64 bit)	650 MB	1.3 GB
Windows Server®	Windows Server® 2003 (print only via network)	Printing	10/100 Base-TX (Ethernet), Wireless 802.11b/g/n	Intel® Pentium® III or equivalent	256 MB	512 MB	50 MB	N/A
	Windows Server® 2003 x64 Edition (print only via network)			64-bit (Intel® 64 or AMD64) supported CPU	512 MB	1 GB		
	Windows Server® 2003 R2 (print only via network)			Intel® Pentium® III or equivalent				
	Windows Server® 2003 R2 x64 Edition (print only via network)			64-bit (Intel® 64 or AMD64) supported CPU	2 GB			
	Windows Server® 2008 (print only via network)			Intel® Pentium® 4 or equivalent 64-bit (Intel® 64 or AMD64) supported CPU				
	Windows Server® 2008 R2 (print only via network)			64-bit (Intel® 64 or AMD64) supported CPU				
Macintosh Operating System	Mac OS X 10.4.11, 10.5.x	Printing, PC Fax Send ³ , Scanning, Removable Disk ⁵	USB ² , 10/100 Base-TX (Ethernet), Wireless 802.11b/g/n	PowerPC® G4/G5 Intel® Processor	512 MB	1 GB	80 MB	550 MB
	Mac OS X 10.6.x			Intel® Processor	1 GB	2 GB		

Conditions:

- ¹ For WIA, 1200 × 1200 resolution. Brother Scanner Utility enables to enhance up to 19200 × 19200 dpi.
- ² Third party USB ports are not supported.
- ³ PC Fax supports black and white only.
- ⁴ PaperPort™ 12SE supports Windows® XP Home (SP3 or greater), XP Professional (SP3 or greater), XP Professional x64 Edition (SP2 or greater), Windows Vista® (SP2 or greater) and Windows® 7.
- ⁵ Removable disk is a function of PhotoCapture Center™.

For the latest driver updates, visit us at
(in USA) www.brother.com/
(in Canada) www.brother.ca/

All trademarks, brand and product names are the property of their respective companies.

Consumable items

Ink	The machine uses individual Black, Yellow, Cyan and Magenta ink cartridges that are separate from the print head assembly.
Service Life of Ink Cartridge	Starter ink cartridges are in the box. The first time you install the ink cartridges the machine will use extra ink to fill the ink delivery tubes. This is a one-time process that enables high quality printing. Afterward, replacement ink cartridges will print the specified number of pages. Starter cartridge yield is approx. 80% of the yield of the LC71 replacement cartridges.
Replacement Consumables	<p><Standard Yield Black> LC71BK <Standard Yield Yellow> LC71Y <Standard Yield Cyan> LC71C <Standard Yield Magenta> LC71M</p> <p>Black, Yellow, Cyan and Magenta - Approximately 300 pages ¹</p> <p><High Yield Black> LC75BK <High Yield Yellow> LC75Y <High Yield Cyan> LC75C <High Yield Magenta> LC75M</p> <p>Black, Yellow, Cyan and Magenta - Approximately 600 pages ¹</p> <p>¹ Approx. cartridge yield is declared in accordance with ISO/IEC 24711</p> <p>For more information about the replacement consumables, visit us at www.brother.com/pageyield/.</p>

What is Innobella™?

Innobella™ is a range of genuine consumables offered by Brother. The name "Innobella™" derives from the words "Innovation" and "Bella" (meaning "Beautiful" in Italian) and is a representation of the "innovative" technology providing you with "beautiful" and "long lasting" print results.

When you print photo images, Brother recommends Innobella™ glossy photo paper (BP71 series) for high quality. Brilliant prints are made easier with Innobella™ Ink and paper.



Network (LAN)

D



Note

For more information about the Network specifications, see the Network User's Guide.

LAN	You can connect your machine to a network for Network Printing, Network Scanning, PC Fax Send, PC Fax Receive (Windows® only), Remote Setup, and access photos from PhotoCapture Center™ ¹ . Also included is Brother BRAdmin Light ² Network Management software.	
Wireless Network Security	SSID (32 chr), WEP 64/128 bit, WPA-PSK (TKIP/AES), WPA2-PSK (AES)	
Setup Support Utility	AOSS™	Yes
	WPS	Yes

¹ See the Computer Requirements chart on page 133.

² If you require more advanced printer management, use the latest Brother BRAdmin Professional utility version that is available as a download from <http://solutions.brother.com/>.

E

Index

A

Accessories and supplies	ii
ADF (automatic document feeder)	23
Answering machine (TAD)	40
connecting	41
Apple Macintosh	
See Software User's Guide.	
Automatic	
fax receive	30
Easy Receive	34

B

Brother	
accessories and supplies	ii
Brother numbers	i
CreativeCenter	4
Customer Service	i
FAQs (frequently asked questions)	i
Notice-Disclaimer	iv
product support	i
service centers	i
Solutions Center	i

C

CD/DVD/BD	59
Cleaning	
print head	65
scanner	64
Connecting	
external TAD	
(answering machine)	40, 41
external telephone	42
Consumable items	134
Control panel overview	6
ControlCenter	
See Software User's Guide.	
Copy	
paper size	49
paper type	49
using ADF	23
using scanner glass	24
Cordless telephone (non-Brother)	43
Custom Ringing	38
Custom telephone features on a single line	93

D

Data Ident-A-Call	37
Dialing	
a pause	46
manual	45
Speed Dial	45
Disc tray	59
Distinctive Ring	38
setting ring pattern	39
turning off	39
Document	
loading	23, 24

E

Easy Receive	34
Envelopes	13, 21, 22
Error messages on LCD	67
B&W Print Only	67
Cannot Detect	68
Cannot Print	68
Comm. Error	68
Cover is Open	68
Data Remaining	68
Document Jam	69
DR Mode in Use	69
Ink Absorber Full	70
Ink Absorber NearFull	71
Ink low	71
No Ink Cartridge	71
No Paper Fed	72
Not Registered	45, 72
Out of Memory	73
Paper Jam	73
Unable to Clean	74
Unable to Init.	74
Unable to Print	74
Unable to Scan	74
Wrong Paper Size	74
Extension telephone, using	43
External telephone, connecting	42

F

Fax codes	
changing	44
Fax Receive Code	34, 43
Telephone Answer Code	43
using	43
Fax, from PC	
See Software User's Guide.	
Fax, stand-alone	
receiving	30
difficulties	89, 90
Easy Receive	34
F/T Ring Time, setting	33
Fax Preview	34, 36
from extension telephone	43
from external telephone	43
Ring Delay, setting	33
telephone line interference / VoIP	96
sending	26
change scanner glass size	28
color fax	28
difficulties	92
Fax Preview	28
telephone line interference / VoIP	96
Transmission Verification Report	29
Fax/Tel mode	
answering at extension telephones	43
Fax Receive Code	43
Ring Delay	33
Telephone Answer Code	43

G

Gray scale	126, 130
------------------	----------

H

Help	
LCD messages	98
Menu Table	99
Hook key	6

I

Ident-A-Call	37
Ident-A-Ring	37
Ink cartridges	
ink dot counter	61
replacing	61
Innobella™	134

J

Jams	
document	76
paper	77

L

LCD (Liquid Crystal Display)	7, 98
------------------------------------	-------

M

Macintosh	
See Software User's Guide.	
Maintenance, routine	
replacing ink cartridges	61
Manual	
dialing	45
receive	30
Mode, entering	
COPY	6
FAX	6
PHOTO	6
SCAN	6
Multi-line connections (PBX)	42

N

Network	
Printing	
See Network User's Guide.	
Scanning	
See Software User's Guide.	

P

Paper	19, 125
capacity	22
loading	10, 13
loading envelopes and postcards	13
loading photo paper	14
printable area	17
size	18
size of document	23
type	18, 21
PaperPort™ 12SE with OCR	
See Software User's Guide. See also Help in the PaperPort™ 12SE application.	
Personalized Ring	38
Photo Bypass Tray (USA)	14
Photo Paper Tray (Canada)	14
PhotoCapture Center™	
from PC	
See Software User's Guide.	
Memory Stick PRO™	50
Memory Stick™	50
MultiMedia Card	50
Preview photos	53
Print settings	
Quality	54
Printing	
all photos	53
Scan to Media	
change file name	54
SD	50
SDHC	50
SDXC	50
Slide-Show	53
specifications	128
Presto! PageManager	
See Software User's Guide. See also Help in the Presto! PageManager application.	
Print	
difficulties	86
printable area	17
resolution	131
specifications	131
Printing	
See Software User's Guide.	
Programming your machine	98

Q

Quick Dial	
Group dial	
changing	47
Speed Dial	
changing	47
setting up	46
using	45

R

Receive Mode	
External TAD	30
Fax Only	30
Fax/Tel	30
Manual	30
Redial/Pause	45
Remote Setup	
See Software User's Guide.	
Resolution	
copy	127
fax	126
print	131
scan	130
Ring Delay, setting	33
RingMaster	38

S

Scanning	
See Software User's Guide.	
Serial Number	
how to find	See inside front cover
SimpleBiz Fax & Alternative Number	
Ringing	37
Smart Ring	38
Speed Dial	
changing	47
setting up	46
using	45

T

TAD (telephone answering device), external	30, 40
connecting	40, 41
receive mode	30
recording OGM	41
Teen Ring	37
Telephone line	
connections	41
difficulties	89
interference / VoIP	96
multi-line (PBX)	42
Text, entering	122
Transferring your faxes or Fax Journal report	75
Transparencies	19, 20, 21, 22, 125
Troubleshooting	86
document jam	76
error messages on LCD	67
if you are having difficulty	
copying	93
incoming calls	92
Network	94
phone line or connections	89
PhotoCapture Center™	94
printing	86
printing received faxes	89
receiving faxes	90
scanning	93
software	94
Touchscreen	95
maintenance messages on LCD	67
paper jam	77

U

Unscannable area	25
------------------------	----

V

Voice Mail	37
------------------	----

W

Warranties are in the box	
Notice-Disclaimer	iv
Web Connect	vi
Windows®	
See Software User's Guide.	
Wireless Network	
See Quick Setup Guide and Network User's Guide.	
World Wide Web	i

Brother International Corporation
100 Somerset Corporate Boulevard
P.O. Box 6911
Bridgewater, NJ 08807-0911 USA

Brother International Corporation (Canada) Ltd.
1 rue Hôtel de Ville,
Dollard-des-Ormeaux, QC, Canada H9B 3H6

brother®

Visit us on the World Wide Web
<http://www.brother.com/>

These machines are approved for use in the country of purchase only. Local Brother companies or their dealers will only support machines purchased in their own countries.

Free Manuals Download Website

<http://myh66.com>

<http://usermanuals.us>

<http://www.somanuals.com>

<http://www.4manuals.cc>

<http://www.manual-lib.com>

<http://www.404manual.com>

<http://www.luxmanual.com>

<http://aubethermostatmanual.com>

Golf course search by state

<http://golfingnear.com>

Email search by domain

<http://emailbydomain.com>

Auto manuals search

<http://auto.somanuals.com>

TV manuals search

<http://tv.somanuals.com>