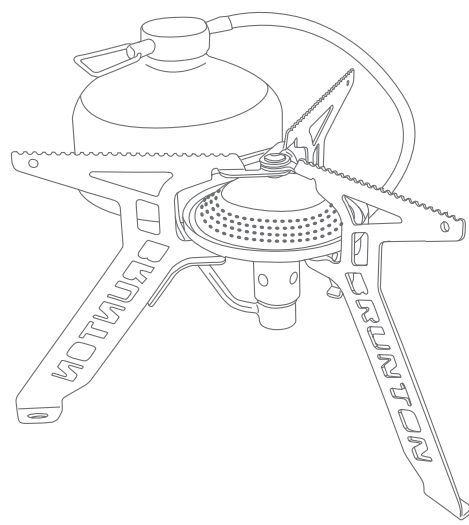


**BRUNTON.****VESTA™****Instructions for 81-100727****Use outdoors only and do not allow children to reach**

Please read, understand and follow all instructions and warnings before using this product. The proper fuel bottle for this product is included.

**BRUNTON.**  
www.brunton.com

**WARRANTY**

Brunton warrants this product to be free of defects in workmanship and materials for the lifetime of the original owner, and is nontransferable. If you have any problems with your Brunton stove, the stove should be returned to the dealer or sent to Brunton, 2255 Brunton Court, Riverton, WY 82501 U.S.A. Please contact Brunton at the number below to obtain RA#. Clean food and soot from stove before shipping. Shipping cost to Brunton is the responsibility of the purchaser. Return postage will be paid by Brunton. Please return this warranty card to Brunton as a proof of purchase. This warranty does not cover damage caused by accident, misuse, abuse, or tampering. A nominal charge will be assessed to repair such damage.

**BRUNTON.** 2255 Brunton Court, Riverton, WY USA 82501  
www.brunton.com PH: 307.857.4700

**LIMITS OF LIABILITY**

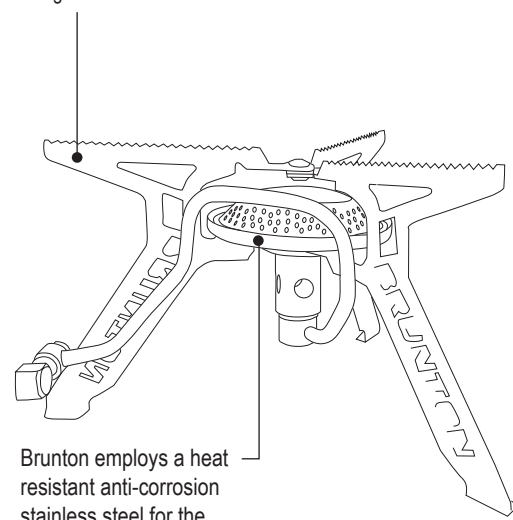
Brunton assumes no responsibility for any inconvenience, loss, or injury, direct or consequential damage arising from possession or use of the goods. This warranty gives you specific legal rights which may vary from state to state. Check with your local state about your rights.

**WARNING**

- Only use in well ventilated areas.
- Do not move or leave it unattended while in use.
- Keep away from children.
- Do not operate near flammable materials.

**CHARACTERISTICS**

The unique design of the legs and the pot supports of the VESTA stove provide a very stable cooking surface.



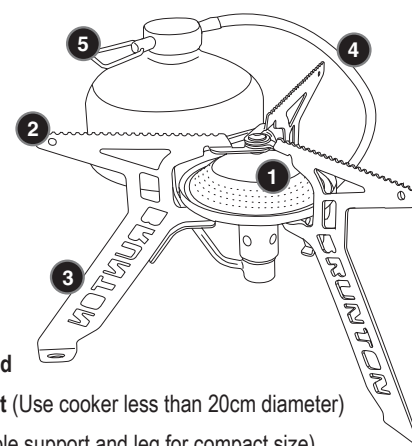
Brunton employs a heat resistant anti-corrosion stainless steel for the burner head

Easy to ignite with either a match or a lighter

**SPECIFICATIONS**

Item Name : VESTA	Ignition : Manual
Model No. : 81-100727	Output : 11,500 BTU
Dimension : 40 x 50 x 30mm (stove)	Usable Fuel : Butane propane mix
Weight : 8.5 oz.	Burn time : 1.5 hr

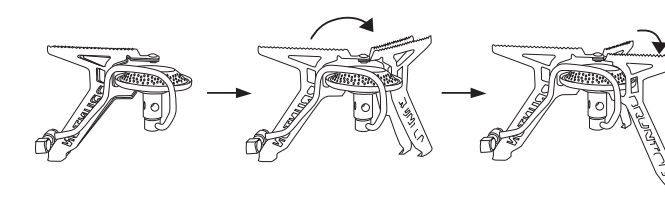
When the Butane canister is empty simply puncture and place in an aluminum recycle bin.

**PARTS**

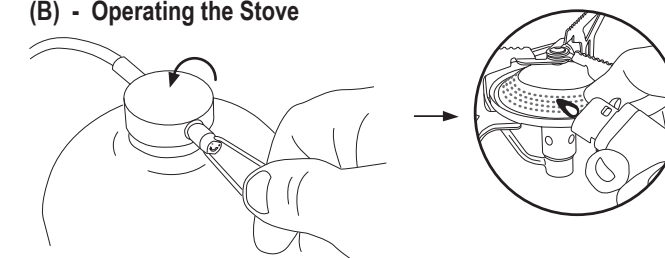
- 1 Burner head
- 2 Pot support (Use cooker less than 20cm diameter)
- 3 Leg (Foldable support and leg for compact size)
- 4 Fuel hose (Fluorine rubber with woven wires)
- 5 Valve

**OPERATING THE STOVE****(A) - Connection & Disconnection**

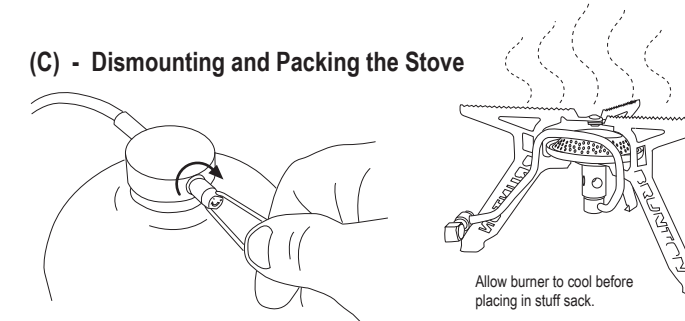
1. Remove the Vesta™ from the stuff sack.
2. Fan out the legs until they lock into place.
3. With the valve closed; turn the control handle fully clockwise
5. Thread the canister onto the control handle, turning it clockwise until secure.
6. Make sure the stove is not leaking fuel before proceeding.

**OPERATING THE STOVE - continued****(A) - Connection & Disconnection****(B) - Operating the Stove**

1. Carefully open the valve by turning the control handle counterclockwise and immediately put a flame to the burner head.
2. Regulate the intensity of the flame with the control handle. The stove should produce a steady, blue flame.
3. When finished, turn the control handle completely clockwise until the flame goes out.

**(B) - Operating the Stove****(C) - Dismounting and Packing the Stove**

1. Allow the VESTA to cool before attempting to touch the legs or fold the stove for storage.
2. Make sure the valve is closed; turn the control handle fully clockwise.
3. Unscrew the canister from the hose by turning it counter clockwise until the hose releases from the canister.
4. Fold in the pot support legs.
5. Place the stove in the stuff sack.

**(C) - Dismounting and Packing the Stove**

Allow burner to cool before placing in stuff sack.

**Maintenance**

Cause	Caution	Step
<b>DIRT OR OTHER DEBRIS</b>	Dirt can be a cause of rust and damage	Clean the dirt from the appliance with dried cloth using a neutral detergent.
<b>RUST OR OTHER STAINS</b>	Do not use thinner or benzene. Also do not use metallic cleaners. They can damage coated surface of appliance.	Clean the stain from the appliance with dried cloth using a soft detergent.

Before using, make sure to check for gas leaks. Do not disassemble a gas valve assembly.

- For optimal performance

- ① Keep clean, cool and well dried.
- ② After using, disconnect the gas canister from the stove.

**Troubleshooting**

Result Cause	Cause							Action
	Hard to ignite	Will not ignite	Weak thermal power	Flames out while in use	Does not turn off	Flame lifting	Fuel smell while off	
Little gas	●	●	●	●				exchange with a new canister
Nozzle clogging	●	●	●	●				puncture nozzle with nozzle pin
Defective valve	●	●	●		●	●		ask for repair service
Defective control knob	●	●		●	●	●	●	ask for repair service

**Safety Instructions**

To avoid serious injury please read the following instructions.

**WARNING:** To avoid injury, read the instructions before using appliance

**Caution**

- ! Avoid heat, fire or direct sunlight and keep the stove in a well ventilated area.
- ! After emptying the canister, punch a hole in the bottom to recycle.
- ! If there is unusual combustion, make sure the control knob is set to the 'OFF' position and remove the canister from the appliance.
- ! If any gas leaks, turn off the gas immediately and return the stove to Brunton.

**Important Safety Warnings (prior to using the Vesta)**

To avoid injury, it is extremely important that you read, understand and follow all instructions and warnings in this manual before using the VESTA. Gain acquaintance with all parts and functions of the stove before using it, and practice using and maintaining prior to taking it on a trip. Failure to follow all warnings and instructions could result in fire, property damage, serious injury or death!

Contact the place of purchase or Brunton if you have any questions.

**A. WARNING:** DO NOT light or use the VESTA indoors or in an unventilated area. This stove consumes oxygen and produces carbon monoxide, which can be deadly.

**B. WARNING:** DO NOT light or use the stove near, or on top of flammable materials. Minimum distance to flammable materials is 3 feet (1 meter) from the side of stove and 5 feet (1.5 meters) above stove. Always light and use the stove with caution.

**C. NEVER** cover the stove and fuel bottle with wind shields, rocks or similar. This could cause overheating and damage the stove and fuel bottle.

**D. NEVER** use the stove near other lit stoves, open fire or other heat sources.  
**E. NEVER** leave a lighted stove unattended.

**F. NEVER** let children use the stove, and ALWAYS supervise children in the vicinity of the stove.

**Important Safety Warnings - continued**

**G. NEVER** relight a hot stove. Let the stove cool prior to lighting again.

**H. NEVER** move or shake a lighted stove.

**I. ALWAYS** place stove on a flat, firm surface before lighting.

**J. ALWAYS** let the stove cool completely, before moving, disassembling or packing it.

**K. NEVER** use the stove any other way than as described in this manual. The Vesta is intended for outdoor cooking only and is not designed for use with large capacity cookware. Maximum pot diameter is 9 inches (22cm). Maximum pot weight including food/water/drink is 8 pounds (4kg).

**BRUNTON®**

## Free Manuals Download Website

<http://myh66.com>

<http://usermanuals.us>

<http://www.somanuals.com>

<http://www.4manuals.cc>

<http://www.manual-lib.com>

<http://www.404manual.com>

<http://www.luxmanual.com>

<http://aubethermostatmanual.com>

Golf course search by state

<http://golfingnear.com>

Email search by domain

<http://emailbydomain.com>

Auto manuals search

<http://auto.somanuals.com>

TV manuals search

<http://tv.somanuals.com>