

General Safety Information (Cont'd.)

- 8. Use steady, even pressure when using tool. Do not force. Too much pressure can cause blade to break or overheat.
- 9. Keep all nuts, bolts and screws tight and ensure equipment is in safe working condition.
- 10. Do not put hands near or under moving parts.

WORK AREA

AWARNING Do not operate a power tool in an explosive atmosphere, such as in the presence of flammable liquids, gases, or dust. Power tools create sparks which may ignite the fumes or dust.

CAUTION Keep work area clean and well lighted. Cluttered benches and dark areas invite accidents.

CAUTION Keep bystanders, children, and visitors away while operating a power tool. Distractions can cause you to lose control.

ELECTRICAL SAFETY

Double insulated tools are equipped with a polarized plug (one plug blade is wider than the other). This plug will fit in a polarized outlet only one way. If the plug does not fit fully into the outlet, turn the plug over and insert into plug again.

AWARNING Do not expose power tools to rain or wet conditions. Water entering a power tool will increase the risk of electric shock.

AWARNING Avoid body contact with grounded surfaces such as pipes, radiators, ranges, and refrigerators. There is an increased risk of electric shock if your body is grounded.

AWARNING Do not abuse cord.

- Never carry tool by its cord.
- Never pull the cord to disconnect from receptacle.

- 1. Make sure cord is located so that it will not be stepped on, tripped over, or otherwise subjected to damage or stress.
- 2. Do not use an extension cord unless absolutely necessary. Use of improper extension cord could result in a risk of fire and electric

shock. If an extension cord must be used, make sure:

- That the pins on plug of extension cord are the same number, size and shape as those of plug.
 - That the extension cord is properly wired and in good electrical condition.
 - If an extension cord is to be used outdoors it must be marked with the suffix "W-A" or "W" following the cord type designation to indicate it is acceptable for outdoor use. For example - SJTW-A
3. Do not expose to rain, snow or frost.

PERSONAL SAFETY

AWARNING Do not misuse this product. Excessive exposure to vibration, work in awkward positions, and repetitive work motions can cause injury to hands and arms. Stop using any tool if discomfort, numbness, tingling, or pain occur, and consult a physician.

- 1. Stay alert, watch what you are doing, and use common sense when operating a power tool. Do not use tool while tired or under the influence of drugs, alcohol, or medication. A moment of inattention while operating power tools may result in serious personal injury.

CAUTION Avoid accidental starting. Be sure switch is in the locked or off position before making any adjustments, changing accessories, or storing the tool. Carrying tools with your finger on the switch with the switch on invites accidents.

- 2. Remove adjusting keys or wrenches before turning on the tool. A key or wrench attached to a rotating part of the tool may result in personal injury.
- 3. Do not overreach. Keep proper footing and balance at all times. Proper footing and balance enable better control of the tool in unexpected situations.
- 4. Always work in a well-ventilated area. Wear an OSHA-approved dust mask and safety glasses.



- 5. Hold tool by insulated gripping surface when performing an operation where the tool may contact hidden wiring. Contacting a "live" wire will make exposed metal parts of the tool "live" and shock the operator.
- 6. Keep hands away from moving parts.
- 7. Use clamps or another practical way to secure the workpiece to a stable platform. Never hold work in your hand, lap, or against other parts of your body when cutting.
- 8. Always use blades of the correct size and shape mounting holes. Blades that do not match the mounting hardware of the saw will increase risk of injury to the user and damage to the tool.

TOOL USE AND CARE

AWARNING Do not use tool if switch does not turn it on or off. Any tool that cannot be controlled with the switch is dangerous and must be repaired.

- 1. This tool must NOT be modified or used for any application other than that for which it was designed.

CAUTION Do not force the tool. Use the correct tool for your application. The correct tool will do the job better and safer at the rate for which it is designed.

- 2. Maintain tools with care. Keep cutting tools sharp and clean. Properly maintained tools with sharp cutting edges are less likely to bind and are easier to control.
- 3. Check for misalignment or binding of moving parts, breakage of parts, and any other condition that may affect the tool's operation. If damaged, have the tool serviced before using. Many accidents are caused by poorly maintained tools.
- 4. Use only accessories that are recommended by the manufacturer for your model. Accessories suitable for one tool may create a risk of injury when used on another tool.
- 5. Some wood contains preservatives which can be toxic. Take extra care to prevent inhalation and skin contact when working with these materials. Request and follow all safety information available from your material supplier.

Notes

Notes

Garantía Limitada

1. DURACION: A partir de la fecha de compra por el comprador original tal como se especifica a continuación: Un año
2. QUIEN OTORGA ESTA GARANTIA (EL GARANTE: Campbell Hausfeld / The Scott Fetzer Company 100 Production Drive, Harrison, Ohio 45030 Teléfono: (800) 543-6400
3. QUIEN RECIBE ESTA GARANTIA (EL COMPRADOR): El comprador original (que no sea un revendedor) del producto Campbell Hausfeld.
4. PRODUCTOS CUBIERTOS POR ESTA GARANTIA: Cualquier herramienta a motor de Campbell Hausfeld proporcionada o fabricada por el garante.
5. COBERTURA DE LA GARANTIA: Los defectos substanciales de material y fabricación que ocurran dentro del período de validez de la garantía.
6. LO QUE NO ESTA CUBIERTO POR ESTA GARANTIA:
 - A. Las garantías implícitas, incluyendo aquellas de comercialidad E IDONEIDAD PARA FINES PARTICULARES, ESTAN LIMITADOS A LO ESPECIFICADO EN EL PARRAFO DE DURACION. Si este producto es empleado para uso comercial, industrial o para alquiler, no se aplicará ninguna garantía. En algunos estados no se permiten limitaciones a la duración de las garantías implícitas, por lo tanto, en tales casos esta limitación no es aplicable.
 - B. CUALQUIER PERDIDA DAÑO INCIDENTAL, INDIRECTO O CONSECUENTE QUE PUEDA RESULTAR DE UN DEFECTO, FALLA O MALFUNCIONAMIENTO DEL PRODUCTO CAMPBELL HAUSFELD. En algunos estados no se permite la exclusión o limitación de daños incidentales o consecuentes, por lo tanto, en tales casos esta limitación o exclusión no es aplicable
 - C. Cualquier falla que resulte de un accidente, abuso, negligencia o incumplimiento de las instrucciones de funcionamiento y uso indicadas en el (los) manual(es) que se adjunta(n) al producto. Dichos accidentes, abusos por parte del comprador, o falta de operar el producto siguiendo las instrucciones del manual de instrucciones suministrado también debe incluir la desconexión o modificación de los instrumentos de seguridad. Si dichos instrumentos de seguridad son desconectados, la garantía quedaría cancelada.
 - D. Los ajustes normales explicados en el(los) manual(es) suministrado(s) con el producto.
7. RESPONSABILIDADES DEL GARANTE BAJO ESTA GARANTIA: Reparar o reemplazar, como lo decida el Garante, los productos o componentes que estén defectuosos, se hayan dañado o hayan dejado de funcionar adecuadamente, durante el periodo de validez de la garantía
8. RESPONSABILIDADES DEL COMPRADOR BAJO ESTA GARANTIA:
 - A. Suministrar prueba fechada de compra y la historia de mantenimiento del producto.
 - B. Entregar o enviar el producto o componente Campbell Hausfeld al Centro de Servicio autorizado Campbell Hausfeld más cercano. Los gastos de flete, de haberlos, deben ser pagados por el comprador.
 - C. Seguir las instrucciones sobre operación y mantenimiento del producto, tal como se indica(n) en el (los) manual(es) del propietario

Esta garantía limitada es válida sólo en los EE.UU., Canadá y México y otorga derechos legales específicos. Usted también puede tener otros derechos que varían de un Estado a otro. o de un país a otro.

General Safety Information (Cont'd.)

6. Store tools out of reach of children and other untrained persons. Tools are dangerous in the hands of untrained users.
7. Avoid cutting nails. Inspect workpiece for any nails and remove them before operation.
8. Do not cut hollow pipe.
9. Do not cut oversize workpiece.
10. Check for the proper clearance beyond the workpiece before cutting so that the blade will not strike the floor, workbench, etc.
11. Make sure the blade is not contacting the workpiece before the switch is turned on.
12. Keep hands away from moving parts.
13. Do not leave the tool running. Operate the tool only when hand-held.
14. Always switch off and wait for the blade to come to a complete stop before removing the blade from the workpiece.
15. Do not touch the blade or the workpiece immediately after operation; they may be extremely hot and could burn your skin.

Assembly**ATTACHING THE BLADE**

Always unplug tool and place the switch in the off position before making any assembly, adjustments or changing accessories. Such preventive safety measures reduce the risk of starting the tool accidentally.

CAUTION Always clean out all chips or foreign matter adhering to the blade and/or blade holder. Failure to do so may cause insufficient tightening of the blade, resulting in a serious personal injury.

1. Loosen the two bolts counterclockwise on the blade holder with the allen wrench (see Figure 1).
2. With the blade teeth facing forward, insert the blade into the blade holder as far as it will go. Make sure that the back edge of the blade fits into the blade support bearing (see Figure 1).
3. Tighten the bolt clockwise to secure the blade.

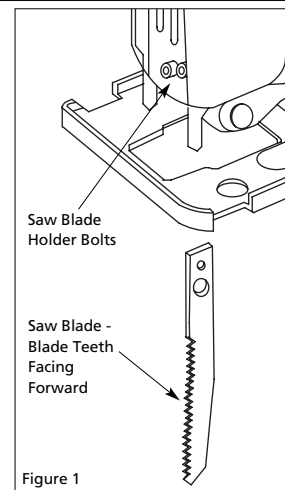


Figure 1

4. Loosen the base adjustment bolts. Slide the blade support bearing forward so that the blade is riding in the groove. Retighten the base adjustment bolts. Check this adjustment when ever the blade is changed or the base is adjusted.

To remove the blade, follow the installation procedure in reverse.

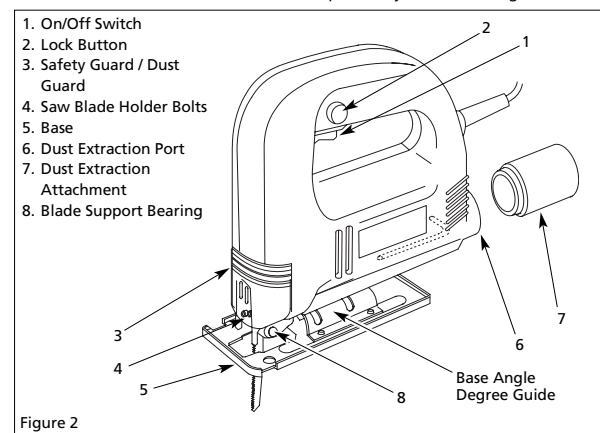


Figure 2

NOTICE Occasionally lubricate the roller.

Pre-Operation

Proper planning can prevent accidents when using power tools. Plan your cuts ahead of actually doing them. Mark a cutting line on the work piece to ensure you know the direction you need to take while using the tool.

Operation

WARNING Safety glasses and ear protection must be worn during operation.



CAUTION Make sure work is held securely in vise or clamped in place prior to starting operation. Loose work may spin and cause bodily injury.

DANGER Keep hands away from cutting area and blade.

Always hold the base flush with the workpiece. Failure to do so may cause blade breakage, resulting in a serious injury. Advance the tool very slowly when cutting curves or scrolling. Forcing the tool may cause a slanted cutting surface and blade breakage.

Turn the tool on without the blade making any contact and wait until the blade attains full speed. Then rest the base flat on the workpiece and gently move the tool forward along the previously marked cutting line.

Operation (Cont'd.)

If both hands are holding the saw, they cannot be cut by the blade. Hold the saw firmly to prevent loss of control. NEVER place your hand ahead of the saw blade since the saw could jump forward over your hand.

Do not reach underneath the work. Do not attempt to remove cut material when blade is moving.

NEVER hold piece being cut in your hands or across your leg. It is important to support the work properly to minimize body exposure, blade binding, or loss of control.

Face the good side of the material down and secure it in a bench vise or clamp it down.

When following curves, cut slowly so the blade can cut through cross grain. This will give you an accurate cut and will prevent the blade from wandering.

CAUSES AND USER PREVENTION OF KICKBACK:

KICKBACK is a sudden reaction to a pinched, bound or misaligned saw blade, causing an uncontrolled saw to lift up and out of the workpiece.

KICKBACK is the result of tool misuse and/ or incorrect operating procedures or conditions and can be avoided by taking proper precautions as given below:

1. Maintain a firm grip with both hands on the saw and position your body and arm to allow you to resist KICKBACK forces. KICKBACK forces can be controlled by the operator, if proper precautions are taken.
2. When blade is binding, or when interrupting a cut for any reason, release the switch and hold the saw motionless in the material until the blade comes to a complete stop. Never attempt to remove the saw from the work or pull the saw backward while the blade is in motion or KICKBACK may occur. Investigate and take corrective actions to eliminate the cause of blade binding.
3. When restarting a saw in the workpiece, center the saw blade in the kerf, or cut, and check that saw teeth are not engaged into the material. If saw blade is binding, it may walk up or KICKBACK from the workpiece as the saw is restarted.

4. Support large panels to minimize the risk of blade pinching and KICKBACK. Large panels tend to sag under their own weight. Supports must be placed under the panel on both sides, near the line of cut and near the edge of the panel.
5. Do not use dull or damaged blades. Unsharpened or improperly set blades produce narrow kerf causing excessive friction, blade binding and KICKBACK.
6. Base adjusting screws must be tight and secure before making cut. If blade adjustment shifts while cutting, it may cause binding and KICKBACK.
7. Use extra caution when making a "Pocket Cut" into existing walls or other blind areas. The protruding blade may cut objects that can cause KICKBACK.
8. Be cautious of pitchy, knotty, wet or warped stock. These are most likely to create pinching conditions and possible KICKBACK.
9. Stay alert. Any distraction can cause twisting or binding. Repetitive cuts may lull the user into careless movements.

CUTTING WITH A STRAIGHTEDGE

Always use a rough cut blade when possible. Clamp a straightedge on the work parallel to the line of cut and flush with the side of the saw base. Either first mark the line of cut and then position the straightedge parallel and at the same distance as between the blade and the side edge of the base or first mark the side edge of the base and then clamp the straightedge on the mark and parallel to the cut line.

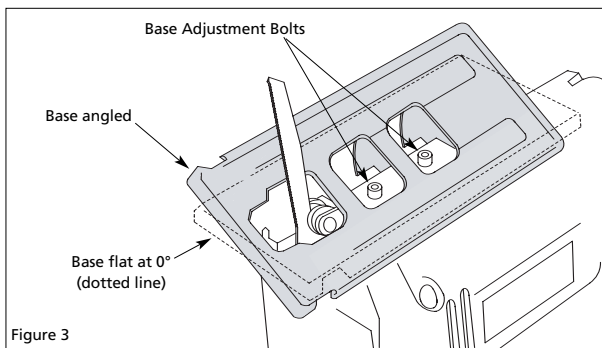


Figure 3

As you cut, keep the saw base edge flush against the straightedge and flat on the workpiece.

BASE ADJUSTMENT

Always be sure that the tool is switched off. Unplug tool. The base can be adjusted up to 45° by loosening the base adjustment bolts on the underside of the saw.

Align to the desired angle on calibrated quadrant. Then tighten base adjustment bolts (2). Because of the increased amount of blade engagement in the work and decreased stability of the base, blade binding may occur.

Keep the saw steady and the base firmly on the workpiece.

BEVEL CUTTING

CAUTION Always be sure that the tool is switched off and unplugged before tilting the base.

With the base tilted, you can make bevel cuts at any angle between 0° and 45° (left or right).

Loosen the bolts on the underside of the tool with the allen wrench.

Tilt the base until the desired angle is obtained. The edge of the motor housing indicates the base angle by graduations stamped on the base.

Tighten the 2 bolts to secure the base.

Para Ordenar Repuestos o Asistencia Técnica, Llame al Teléfono 1-800-424-8936

Sírvase darnos la siguiente información:

- Número del modelo
- Código impreso
- Descripción y número del repuesto según la lista de repuestos

Dirija toda la correspondencia a:

Campbell Hausfeld
Attn: Customer Service
100 Production Drive
Harrison, OH 45030 U.S.A.

Lista de Repuestos

| Descripción | Número del Repuesto | Ctd. |
|--------------------|---------------------|------|
| Hoja de la sierra | DG025800AV | 1 |
| Puerto para polvo | DG028100AV | 1 |
| Llave Allen de 3mm | DG026100AV | 1 |

Funcionamiento (Cont.)

Dibuje el diseño o las líneas de corte en la parte superior de madera. Cuando corte aluminio extruido o hierro en ángulo, sujete el trabajo con una prensa de tornillo y corte cerca de las mordazas de la prensa.

Cuando corte tuberías y el diámetro sea mayor que la profundidad de la hoja, corte la pared de la tubería y luego introduzca la hoja en el corte girando la tubería mientras corta.

⚠PRECAUCIÓN

No utilice el adaptador de aspiración cuando corte metal. Las virutas de metal estarán calientes y podrían causar un incendio.

CORTE DE LÁMINAS

Mientras la hoja de la sierra corta en la dirección ascendente, la superficie más cercana a la placa de la zapata podría astillarse.

1. Utilice una hoja de sierra con dientes finos.
2. Corte desde la superficie posterior de la pieza (lado terminado hacia abajo).
3. Para minimizar el astillado, sujete la pieza con madera de desecho o aglomerado por ambos lados de la pieza y corte con la pieza en el medio.

EXTRACCIÓN DEL POLVO

Se pueden realizar operaciones de corte limpias conectando esta herramienta a una aspiradora. Introduzca la manguera de la aspiradora en el orificio de la parte trasera de la herramienta. Baje la tapa para polvo antes de poner la herramienta en funcionamiento.

⚠PRECAUCIÓN

No utilice el adaptador de aspiración cuando corte metal. Las virutas de metal estarán calientes y podrían encenderse dentro del dispositivo de aspiración.

AVISO

La extracción del polvo no se puede realizar o se realiza con una eficacia reducida cuando se hacen cortes en diagonal.

Mantenimiento

El servicio de la herramienta debe ser realizado sólo por personal de reparaciones calificado. El servicio o mantenimiento realizado por personas no calificadas puede provocar riesgo de lesiones.

Si la herramienta no enciende o no funciona correctamente, devuelva la herramienta a una instalación de servicios para repararla.

Limpeza

Limpe el polvo y los desechos de los orificios y contactos eléctricos, soplando con aire comprimido. Los orificios de ventilación del motor y los interruptores deben mantenerse limpios y libres de materiales extraños. No intente limpiarla introduciendo objetos con punta a través de las aberturas. Mantenga los mangos de las herramientas limpios, secos y libres de aceite o grasa. Use únicamente un jabón suave y un paño húmedo para limpiar la herramienta, evitando todos los contactos eléctricos.

Ciertos agentes de limpieza y solventes son nocivos para los plásticos y otras piezas aisladas. Algunos de éstos incluyen gasolina, aguarrás, solvente para laca, solvente de pintura, solventes de limpieza con cloro, amoníaco y detergentes de uso doméstico que contengan amoníaco.

Nunca use solventes inflamables ni combustibles cerca de las herramientas.

LUBRICACIÓN

Para su seguridad y protección eléctrica continuas, la lubricación y el servicio de esta herramienta deberán ser realizados ÚNICAMENTE por un CENTRO DE SERVICIO AUTORIZADO DE CAMPBELL HAUSFELD.

SERVICIO TÉCNICO

Para obtener información con relación al funcionamiento o reparación de este producto, sírvase llamar al 1-800-424-8936.

⚠PRECAUCIÓN

El servicio de la herramienta debe ser realizado sólo por personal de reparaciones calificado. El servicio o mantenimiento realizado por personas no calificadas puede provocar riesgo de lesiones.

Al realizarle un servicio a la herramienta, utilice únicamente piezas de repuesto idénticas. Siga las instrucciones de la sección Mantenimiento de este manual. El uso de piezas no autorizadas o el no seguir las instrucciones de Mantenimiento puede crear un riesgo de choque eléctrico o lesión.

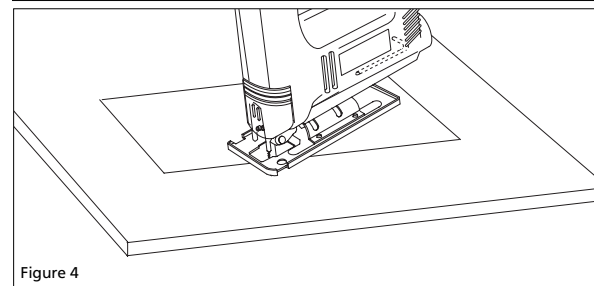


Figure 4

Operation (Cont'd.)

CUTOUTS

Cutouts can be made one of two ways:

1. Boring a starting hole:
 - For internal cutouts without a lead-in cut from an edge, pre-drill a starting hole 12 mm (1/2") or more in diameter.
 - Insert the blade into this hole to start your cut.
2. Plunge cutting (see Figure 4):
 - You need not bore a starting hole or make a lead-in cut if you carefully do as follows:
 - a. Tilt the tool up on the front edge of the base with the blade point positioned just above the workpiece surface.
 - b. Apply pressure to the tool so that the front edge of the base will not move when you switch on the tool and gently lower the back end of the tool slowly.
 - c. As the blade pierces the workpiece, slowly lower the base of the tool down onto the workpiece surface.
 - d. Complete the cut in the normal manner.

Plunge cutting is useful and time-saving in making rough openings in softer materials. To make sharp corners, cut up to the corner, then back up slightly before rounding the corner. After the opening is complete, go back to each corner and cut it from the opposite direction to square it off. Do not try to plunge cut into hard materials such as steel.

FINISHING EDGES

To trim edges or make dimensional adjustments, run the blade lightly along the cut edges.

METAL CUTTING

When cutting metal clamp material down. Be extra certain that you move the saw along slowly. Use lower speeds.

Do not twist, bend, or force the blade. If the saw jumps or bounces, use a blade with finer teeth. If the blade seems clogged when cutting soft metal, use a blade with coarser teeth.

For easier cutting, lubricate the blade with a stick of cutting wax, if available, or cutting oil when cutting steel. Thin metal should be sandwiched between two pieces of wood or tightly clamped on a single piece of wood (wood on top of the metal).

Draw the cut lines or design on the top piece of wood. When cutting aluminum extrusion or angle iron, clamp the work in a bench vise and saw close to the vise jaws.

When sawing tubing and the diameter is larger than the blade is deep, cut through the wall of the tubing and then insert the blade into the cut rotating the tube as you saw.

⚠CAUTION *Do not use vacuum adapter when cutting metal. Metal filings will be hot and may cause a fire.*

SAWING LAMINATES

As the saw blade cuts on the upward stroke, splintering may occur on the surface closest to the shoe plate.

1. Use a fine-tooth saw blade.
2. Saw from the back surface of the workpiece (finished side down).
3. To minimize splintering, clamp a piece of scrap wood or hardboard to both sides of the workpiece and saw through this sandwich.

DUST EXTRACTION

Clean cutting operations can be performed by connecting this tool to a vacuum cleaner. Insert the hose of the vacuum cleaner into the hole at the rear of the tool. Lower the dust cover before operation.

⚠CAUTION *Do not use vacuum adapter when cutting metal. Metal filings will be hot and may cause a fire inside the vacuum.*

NOTICE *Dust extraction cannot be performed or has reduced effectivity when making bevel cuts.*

Maintenance

Tool service must be performed only by qualified repair personnel. Service or maintenance performed by unqualified personnel could result in a risk of injury.

If the tool does not start or operate properly, return the tool to a service facility for repairs.

Cleaning

Clean out dust and debris from vents and electrical contacts by blowing with compressed air. Motor vents and switch levers must be kept clean and free of foreign matter. Do not attempt to clean by inserting pointed objects through openings. Keep tool handles clean, dry and free of oil or grease. Use only mild soap and a damp cloth to clean the tool, keeping away from all electrical contacts.

Certain cleaning agents and solvents are harmful to plastics and other insulated parts. Some of these include gasoline, turpentine, lacquer thinner, paint thinner, chlorinated cleaning solvents, ammonia and household detergents containing ammonia.

Never use flammable or combustible solvents around tools.

LUBRICATION

For your continued safety and electrical protection, lubrication and service on this tool should ONLY be performed by an AUTHORIZED CAMPBELL HAUSFELD SERVICE CENTER.

TECHNICAL SERVICE

For information regarding the operation or repair of this product, please call 1-800-424-8936.

CAUTION *Tool service must be performed only by qualified repair personnel. Service or maintenance performed by unqualified personnel could result in a risk of injury.*

When servicing a tool, use only identical replacement parts. Follow instructions in the Maintenance section of this manual. Use of unauthorized parts or failure to follow Maintenance instructions may create a risk of electrical shock or injury.

For Replacement Parts or Technical Assistance, call 1-800-424-8936 or visit our website: www.chpower.com

Replacement Parts List

| Description | Part Number | Qty |
|------------------|-------------|-----|
| Saw Blade | DG025800AV | 1 |
| Dust Port | DG028100AV | 1 |
| 3mm Allen Wrench | DG026100AV | 1 |

Please provide following information:

- Model number
- Serial number (if any)
- Part description and number as shown in parts list

Address any correspondence to:

Campbell Hausfeld
Attn: Customer Service
100 Production Drive
Harrison, OH 45030 U.S.A.

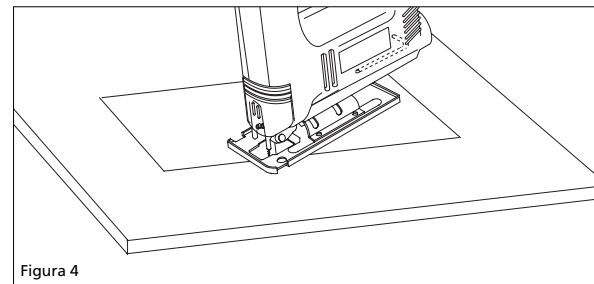


Figura 4

Funcionamiento (Cont.)

6. Los tornillos de ajuste de la base deben estar ajustados y seguros antes de hacer el corte. Si el ajuste de la hoja se mueve durante el corte, puede provocar atascamiento y CONTRAGOLPE.
7. Tenga extremo cuidado al hacer un "Corte en bolsillo" en paredes existentes u otras áreas ciegas. La hoja que sobresale puede cortar objetos que pueden causar CONTRAGOLPE.
8. Tenga cuidado con los materiales inclinados, nudosos, húmedos o deformados. Es muy probable que estos materiales creen condiciones de mordida y posiblemente CONTRAGOLPE.
9. Manténgase alerta. Cualquier distracción puede provocar que la hoja se tuerza o se atasque. Los cortes repetitivos pueden llevar al usuario a tener movimientos descuidados.

CORTE CON UNA REGLA

Use siempre una hoja de corte dura cuando sea posible. Sujete una regla en el trabajo de modo paralelo a la línea de corte y a nivel con el lado del pie de la sierra. Primero marque la línea de corte y luego coloque la regla paralela y a la misma distancia que entre la hoja y el borde lateral del pie, o primero marque el borde lateral del pie y luego sujete la regla en la marca y paralela a la línea de corte.

Al cortar, mantenga el borde del pie de la sierra a nivel contra la regla y plano sobre la pieza de trabajo.

AJUSTE DEL CORTE DIAGONAL

Siempre asegúrese de que la herramienta esté apagada. Desenchufe la herramienta. El pie puede ajustarse hasta 45°, soltando los pernos de ajuste de corte diagonal, en la parte inferior de la sierra.

Alinee en el ángulo deseado en el cuadrante calibrado. Luego ajuste las perillas de ajuste del corte diagonal. Debido a la cantidad aumentada de accionamientos de la hoja en el trabajo y la estabilidad disminuida del pie, la hoja puede atascarse.

Mantenga la sierra pareja y el pie firmemente sobre la pieza de trabajo.

CORTE DIAGONAL

PRECAUCION

Asegúrese siempre de que la herramienta esté apagada y desenchufada antes de inclinar la base.

Con la base inclinada, puede hacer cortes en diagonal en cualquier ángulo entre 0° y 45° (a izquierda o derecha).

Afloje los pernos que se encuentran en la parte inferior de la herramienta con la llave allen.

Incline la base hasta obtener el ángulo deseado. El borde de la carcasa del motor indica el ángulo de la base mediante graduaciones grabadas en la base.

Ajuste los pernos para asegurar la base.

RECORTES

Los recortes se pueden hacer de dos modos:

1. Haciendo un orificio inicial:

Para los cortes internos sin un corte de entrada desde el borde, haga un orificio inicial de 12 mm (1/2") o más de diámetro con un taladro.

Introduzca la hoja en este orificio y comience a cortar.

2. Corte por penetración (ver Figura 4):

No necesita hacer un orificio inicial ni hacer un corte de entrada si hace lo siguiente con mucho cuidado:

- a. Incline la herramienta hacia adelante sobre el borde delantero de la base con la hoja ubicada apenas encima de la superficie de la pieza.
- b. Aplique presión sobre la herramienta de modo que el borde delantero de la base no se mueva cuando encienda la herramienta y suavemente baje la parte trasera de la herramienta con lentitud.
- c. Mientras la hoja perfora la pieza, baje lentamente la base de la herramienta hacia la superficie de la pieza de trabajo.
- d. Complete el corte de manera normal.

El corte por penetración es útil y ahorra tiempo cuando se hacen aberturas toscas en materiales blandos. Para hacer esquinas en ángulo, corte hasta la esquina, luego retroceda apenas antes de redondear la esquina. Después de que la abertura esté completa, vaya a cada esquina y córtela en la dirección opuesta para hacer el ángulo recto. No intente cortar por penetración materiales duros tales como el acero.

TERMINACIÓN DE BORDES

Para recortar los bordes o hacer ajustes dimensionales, haga correr la hoja apenas por los bordes de corte.

CORTE EN METAL

Cuando corte metal sujete el material con abrazaderas. Asegúrese de mover la sierra con extrema lentitud. Utilice velocidades bajas.

No doble, tuerza ni fuerce la hoja. Si la sierra salta o se balancea, use una hoja con dientes más finos. Si la hoja parece obstruida cuando corte materiales blandos, use una hoja con dientes más gruesos.

Para un corte más fácil, lubrique la hoja con cera para corte, si hubiese disponible, o aceite para corte cuando corte acero. El metal delgado debe colocarse entre dos láminas de madera o debe sujetarse firmemente con abrazaderas a una sola pieza de madera (la madera sobre el metal).

Ensamblaje (Cont'd.)

- Ajuste el perno girando hacia la derecha para asegurar la hoja.
- Afloje los pernos de ajuste del corte diagonal. Deslice el rodamiento del soporte de la hoja hacia adelante para que la hoja trabaje en la ranura. Vuelva a apretar los pernos de ajuste del corte diagonal. Verifique este ajuste por cada cambio de la hoja o ajuste del corte diagonal.

Para quitar la hoja, siga el procedimiento de instalación a la inversa.

AVISO

Lubrique el rodillo ocasionalmente.

Previo al funcionamiento

La planificación adecuada puede evitar accidentes al momento de usar herramientas mecánicas. Planifique los cortes con anticipación. Marque una línea de corte en la pieza de trabajo para asegurarse de saber la dirección que debe tomar al usar la herramienta.

Funcionamiento



Se deberán usar gafas de seguridad durante la operación.



Asegúrese de que el trabajo esté sujeto en forma segura en una prensa de tornillo o mordaza antes de comenzar la operación. Si la pieza de trabajo está floja puede girar y causar lesiones corporales.

PELIGRO

Mantenga las manos alejadas del área de corte y de la hoja.

Siempre mantenga la base a nivel de la pieza de trabajo. De lo contrario podrá romper la hoja, lo cual puede resultar en lesiones graves. Avance muy lentamente con la herramienta cuando corte curvas o cale. Forzar la herramienta puede hacer que la superficie de corte se incline y rompa la hoja.

Encienda la herramienta sin que la hoja esté en contacto y espere hasta que esté a toda velocidad. Luego apoye la base de manera plana sobre la pieza de trabajo y mueva

suavemente la herramienta hacia adelante por la línea de corte que marcó anteriormente.

Si está sosteniendo la sierra con ambas manos, no correrá riesgo de cortárselas con la hoja. Sostenga la sierra con firmeza para evitar perder el control. NUNCA coloque la mano delante de la hoja de la sierra ya que la sierra podría saltar hacia adelante sobre su mano.

No intente alcanzar nada debajo del trabajo. No intente retirar el material de corte cuando la hoja se esté moviendo.

NUNCA sostenga una pieza que está cortando en sus manos ni sobre sus piernas. Es importante apoyar el trabajo correctamente para minimizar la exposición corporal, el atascamiento de la hoja o la pérdida de control.

Coloque el lado bueno del material hacia abajo y asegúrelo con una prensa o mordaza.

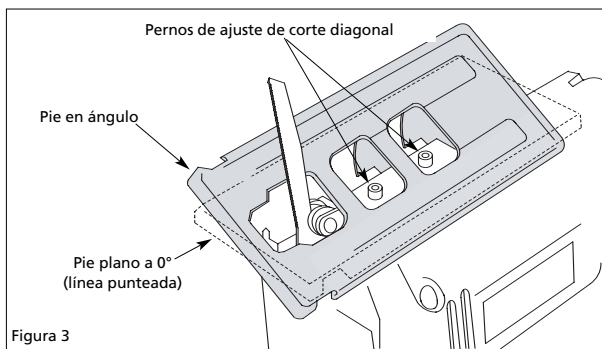
Cuando siga curvas, corte lentamente de modo que la hoja pueda cortar cruzado a la veta. Esto le dará un corte preciso y evitará que la hoja se desvíe.

CAUSAS Y PREVENCIÓN DEL CONTRAGOLPE POR PARTE DEL USUARIO:

El CONTRAGOLPE es una reacción repentina de una hoja de sierra mordida, atascada o mal alineada, provocando que una sierra fuera de control se levante y salga de la pieza de trabajo.

El CONTRAGOLPE es el resultado de un mal uso de la herramienta y/o de procedimientos o condiciones de funcionamiento incorrectos y puede evitarse tomando las precauciones necesarias que se proporcionan a continuación:

- Sostenga la sierra con firmeza con las dos manos y posicione su cuerpo y brazo de un modo que le permita resistir las fuerzas de CONTRAGOLPE. El operador puede controlar las fuerzas de CONTRAGOLPE si toma las precauciones necesarias.
- Cuando la hoja se atasque, o cuando se interrumpa el corte por algún motivo, libere el interruptor y sostenga la sierra sin moverla sobre el material hasta que la hoja se detenga por completo. Nunca intente retirar la sierra del trabajo ni tirar la sierra hacia atrás mientras la hoja esté en movimiento o puede haber un CONTRAGOLPE. Investigue y tome acciones correctivas para eliminar la causa del atascamiento de la hoja.
- Cuando reinicie una sierra en la pieza de trabajo, centre la hoja de la sierra en la entalla o corte y verifique que los dientes de la sierra no queden enganchados en el material. Si la hoja de la sierra está atascada, puede salirse o provocar un CONTRAGOLPE desde la pieza de trabajo mientras se reinicia la sierra.
- Apoye bien los paneles grandes para minimizar el riesgo de morder la hoja y de CONTRAGOLPE. Los paneles grandes tienden a curvarse por su propio peso. Se deben colocar apoyos a ambos lados debajo del panel, junto a la línea de corte y cerca del borde del panel.
- No utilice hojas desafiladas ni dañadas. Las hojas desafiladas o en mal estado producen que la entalla se angoste causando fricción excesiva, atascamiento de la hoja y CONTRAGOLPE.



Limited Warranty

- DURATION:** From the date of purchase by the original purchaser as follows: one year.
- WHO GIVES THIS WARRANTY (WARRANTOR):** Campbell Hausfeld / Scott Fetzer Company, 100 Production Drive, Harrison, Ohio, 45030, Telephone: (800) 424-8936.
- WHO RECEIVES THIS WARRANTY (PURCHASER):** The original purchaser (other than for purposes of resale) of the Campbell Hausfeld product.
- WHAT PRODUCTS ARE COVERED BY THIS WARRANTY:** Any Campbell Hausfeld power tool supplied or manufactured by Warrantor.
- WHAT IS COVERED UNDER THIS WARRANTY:** Substantial defects in material and workmanship which occur within the duration of the warranty period.
- WHAT IS NOT COVERED UNDER THIS WARRANTY:**
 - Implied warranties, including those of merchantability and FITNESS FOR A PARTICULAR PURPOSE ARE LIMITED FROM THE DATE OF ORIGINAL PURCHASE AS STATED IN THE DURATION. If this product is used for commercial, industrial or rental purposes, no warranty applies. Some States do not allow limitation on how long an implied warranty lasts, so the above limitations may not apply to you.
 - ANY INCIDENTAL, INDIRECT, OR CONSEQUENTIAL LOSS, DAMAGE, OR EXPENSE THAT MAY RESULT FROM ANY DEFECT, FAILURE, OR MALFUNCTION OF THE CAMPBELL HAUSFELD PRODUCT. Some States do not allow the exclusion or limitation of incidental or consequential damages, so the above limitation or exclusion may not apply to you.
 - Any failure that results from an accident, purchaser's abuse, neglect or failure to operate products in accordance with instructions provided in the owner's manual(s) supplied with product. Accident, purchaser's abuse, neglect or failure to operate products in accordance with instructions shall also include the removal or alteration of any safety devices. If such safety devices are removed or altered, this warranty is void.
 - Normal adjustments which are explained in the owner's manual(s) provided with the product.
- RESPONSIBILITIES OF WARRANTOR UNDER THIS WARRANTY:** Repair or replace, at Warrantor's option, products or components which are defective, have malfunctioned and/or failed to conform within duration of the warranty period.
- RESPONSIBILITIES OF PURCHASER UNDER THIS WARRANTY:**
 - Provide dated proof of purchase and maintenance records.
 - Call Campbell Hausfeld (800-424-8936) to obtain your warranty service options. Freight costs must be borne by the purchaser.
 - Use reasonable care in the operation and maintenance of the products as described in the owner's manual(s).

This Limited Warranty applies in the United States, Canada and Mexico only and gives you specific legal rights. You may also have other rights which vary from state to state or country to country.

Voir la Garantie à la page 15 pour de l'information importante sur l'utilisation commerciale de ce produit.

Instructions d'Utilisation et Manual de Pièces

DG460300CK

S'il vous plaît lire et conserver ces instructions. Lire attentivement avant de monter, installer, utiliser ou de procéder à l'entretien du produit décrit. Se protéger ainsi que les autres en observant toutes les instructions de sécurité, sinon, il y a risque de blessure et/ou dégâts matériels ! Conserver ces instructions comme référence.



Scie sauteuse

Description

Les scies sauteuses sont des outils polyvalents pouvant couper proprement et exactement une variété de matériaux, y compris le bois, le métal, les plastiques, le carton et le cuir. La scie sauteuse est une machine à coupe curviligne avec une multitude de fonctions permettant d'offrir divers types de coupes. La coupe en plongée est une action unique des scies sauteuses. Elle permet des coupes pour des matériaux commençant au centre de la pièce de travail.

Déballage

En déballant ce produit, inspecter attentivement pour tout signe de dommage en transit.

Directives De Sécurité

Ce manuel contient de l'information très importante qui est fournie pour la SÉCURITÉ et pour ÉVITER LES PROBLÈMES D'ÉQUIPEMENT. Rechercher les symboles suivants pour cette information.

⚠ DANGER

Danger indique une situation hasardeuse imminente qui RÉSULTERA en perte de vie ou blessures graves.

⚠ AVERTISSEMENT

Avertissement indique une situation hasardeuse potentielle qui PEUT résulter en perte de vie ou blessures graves.

⚠ ATTENTION

Attention indique une situation hasardeuse potentielle qui PEUT résulter en blessures.

AVIS

Avis indique l'information importante pour éviter le dommage de l'équipement.

PROPOSITION 65 CALIFORNIE

⚠ DANGER

Vous pouvez créer de la poussière en coupant, ponçant, perçant ou meulant les matériaux tels que le bois, la peinture, le métal, le béton, le ciment ou autre maçonnerie. Cette poussière contient souvent des produits chimiques reconnus pour causer le cancer, les déformations congénitales ou autres problèmes de la reproduction. Portez de l'équipement de protection.

⚠ AVERTISSEMENT

Ce produit ou son cordon contient des produits chimiques qui de l'avis de l'État de Californie peut causer le cancer et des anomalies congénitales ou autres problèmes de reproduction. Lavez-vous les mains après la manipulation.

Les précautions de sécurité suivantes doivent être respectées en tout temps en plus de toute autre règle de sécurité actuelle.

1. Lire attentivement tous les manuels, y compris celui de ce produit. Bien se familiariser avec les commandes et l'utilisation correcte de l'équipement.

2. Seules les personnes familières avec ces règles d'utilisation sans danger devraient utiliser la scie.

⚠ AVERTISSEMENT

Porter des lunettes de sécurité et une protection des oreilles pendant son fonctionnement.

3. Ne pas porter de vêtements amples, de foulards ou de cravates dans l'aire de travail. Les vêtements amples pourraient se prendre dans les pièces mobiles de l'appareil et mener à de graves blessures.



4. Ne pas porter de bijoux en utilisant tout outil. Les bijoux peuvent se prendre dans les pièces mobiles et mener à de graves blessures.
5. Toujours utiliser les accessoires conçus pour cet outil. Ne pas utiliser d'accessoires endommagés ou usés.

Spécifications

| | |
|-----------------------------|-------------------|
| Outil | |
| Tension | 120 V 60 Hz |
| Puissance nominale | 2,9 A |
| Vitesse au ralenti tr/min | 500 à 3 000 |
| Poids | 1,7 kg (3,75 lb) |
| Capacités maximum | |
| Profondeur de coupe bois | 2,8 cm (2 1/8 po) |
| acier | 0,6 cm (1/4 po) |
| Capacité de coupe en biseau | 0 - 45° |

MÉMENTO : Gardez votre preuve datée d'achat à fin de la garantie ! Joignez-la à ce manuel ou classez-la dans un dossier pour plus de sécurité.

Informaciones Generales de Seguridad (cont'd.)

1. Esta herramienta NO debe modificarse ni usarse para ninguna aplicación que no sea la aplicación para la cual fue diseñada.

⚠ PRECAUCION

No fuerce la herramienta. Use la herramienta correcta para su aplicación. La herramienta correcta hará el trabajo mejor y en forma más segura a la velocidad para la cual fue diseñada.

2. Cuide sus herramientas. Mantenga sus herramientas para cortar afiladas y limpias. Es menos probable que las herramientas con un mantenimiento adecuado y con bordes de corte afilados se atasquen y además son más fáciles de controlar.

3. Verifique que las piezas móviles no estén desalineadas ni adheridas, que no haya piezas rotas y que no exista ningún otro problema que pueda afectar el funcionamiento de la herramienta. Si está dañada, haga que le realicen un servicio a la herramienta antes de usarla. Muchos accidentes son causados por herramientas que no tienen un mantenimiento adecuado.

4. Use solamente accesorios recomendados por el fabricante de su modelo. Los accesorios apropiados para una herramienta pueden causar un riesgo de lesión cuando se usan con otra herramienta.

5. Algunas maderas contienen conservadores que pueden ser tóxicos. Tenga especial cuidado para evitar la inhalación y el contacto de la piel con estos materiales. Solicite y cumpla con toda la información de seguridad disponible por parte de su proveedor de materiales.

6. Guarde las herramientas fuera del alcance de los niños y de otras personas no capacitadas para usarlas. Las herramientas son peligrosas cuando están en manos de usuarios inexpertos.

7. Evite cortar clavos. Inspeccione la pieza de trabajo en busca de clavos y quítelos antes de comenzar a trabajar.

8. No corte caños huecos.
9. No corte piezas de tamaño excesivo.
10. Verifique que haya espacio suficiente detrás de la pieza de trabajo antes de cortar, de modo que la hoja no golpee el piso, banco, etc.



Figura 1

1. Asegúrese de que la hoja no entre en contacto con la pieza antes de presionar el interruptor de encendido.
2. Mantenga las manos alejadas de las piezas móviles.
3. No deje la herramienta en funcionamiento. Haga funcionar la herramienta sólo cuando la esté sosteniendo.

14. Cuando apague la herramienta espere siempre a que la hoja se detenga por completo antes de quitarla de la pieza.
15. No toque la hoja ni la pieza de trabajo inmediatamente después del trabajo; pueden estar extremadamente calientes y podrían quemarle la piel.

Ensamblaje

CÓMO COLOCAR LA HOJA

Siempre desconecte la herramienta y deje el interruptor en la posición de apagado antes de hacer cualquier armado, ajuste o de cambiar accesorios. Dichas medidas de seguridad preventivas reducen el riesgo de que la herramienta se active por accidente.

⚠ PRECAUCION

Quite siempre las lascas o el material extraño que se acumulen en la ylo en el soporte de la hoja. De lo contrario, la hoja podrá no quedar lo suficientemente ajustada, lo cual puede resultar en lesiones personales graves.

1. Afloje el perno girando hacia la izquierda en el soporte de la hoja usando la llave allen (ver Figura 1).
2. Con los dientes de la hoja hacia adelante, introduzca la hoja en el soporte de la hoja hasta el tope. Asegúrese de que el borde trasero de la hoja encaje en el cojinete de apoyo de la hoja (ver Figura 1).

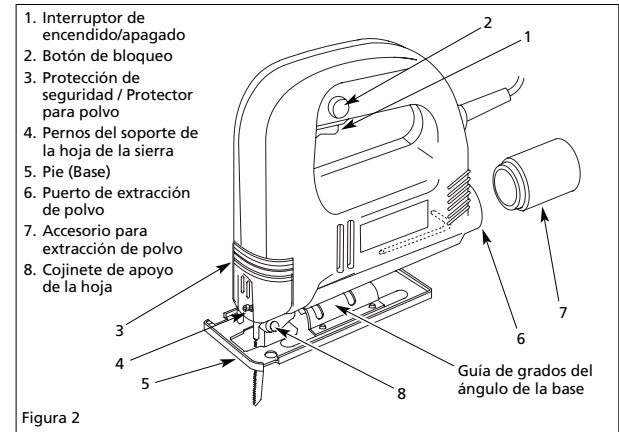


Figura 2

1. Interruptor de encendido/apagado
2. Botón de bloqueo
3. Protección de seguridad / Protector para polvo
4. Pernos del soporte de la hoja de la sierra
5. Pie (Base)
6. Puerto de extracción de polvo
7. Accesorio para extracción de polvo
8. Cojinete de apoyo de la hoja

Informaciones Generales de Seguridad (Cont'd.)

- Utilice siempre los accesorios diseñados para ser usados con esta herramienta. No utilice accesorios dañados ni desgastados.
- Nunca accione la herramienta si no está aplicada a un objeto de trabajo. Los accesorios deben colocarse en forma segura. Los accesorios sueltos pueden causar lesiones graves.
- Nunca apunte una herramienta hacia usted ni hacia otra persona. Pueden ocurrir lesiones graves.
- Utilice presión firme y pareja al usar la herramienta. No la fuerce. Demasiada presión puede provocar que la hoja se quiebre o se recaliente.
- Mantenga todas las tuercas, pernos y tornillos ajustados y asegúrese de que el equipo esté en condiciones de trabajo seguras.
- No acerque las manos a las piezas móviles ni las coloque debajo de ellas.

ÁREA DE TRABAJO

ADVERTENCIA

No haga funcionar una herramienta a motor en un entorno explosivo, como por ejemplo cuando haya polvo, líquidos o gases inflamables. Las herramientas a motor hacen chispas que pueden encender los gases o el polvo.

PRECAUCION

Mantenga el área de trabajo limpia y bien iluminada. Los bancos desordenados y las áreas oscuras propician accidentes.

PRECAUCION

Mantenga alejados a los observadores, niños y visitantes mientras hace funcionar una herramienta a motor. Las distracciones pueden hacerle perder el control.

SEGURIDAD ELÉCTRICA

Las herramientas doblemente aisladas están equipadas con un enchufe polarizado (un borne del enchufe es más ancho que el otro). Este enchufe calzará en un solo sentido en un tomacorriente polarizado. Si el enchufe no calza completamente en el tomacorriente, dé vuelta el enchufe y vuelva a introducirlo.

ADVERTENCIA

No exponga las herramientas a motor a la lluvia ni a superficies mojadas. Si entra agua dentro de una herramienta a motor, aumentará el riesgo de choque eléctrico.

ADVERTENCIA

Evite el contacto corporal con las superficies conectadas a tierra, tales como tuberías, radiadores, cocinas eléctricas y refrigeradores. Existe un mayor riesgo de choque eléctrico si su cuerpo está conectado a tierra.

ADVERTENCIA

Trate el cable con cuidado.

- Nunca tome la herramienta por el cable para transportarla.
- Nunca tire del cable para desenchufarla del receptáculo.

- Asegúrese de que el cable esté ubicado de tal manera que nadie lo pise ni se tropiece con él, y que no esté sujeto de alguna otra manera a algún daño o tensión.
- No use un cable de extensión a menos que sea absolutamente necesario. El uso de un cable de extensión inadecuado puede resultar en un riesgo de incendio y choque eléctrico. Si se debe usar un cable de extensión, asegúrese de lo siguiente:
 - Que las clavijas del enchufe del cable de extensión tengan el mismo número, tamaño y forma que las del enchufe.
 - Que el cable de extensión esté correctamente cableado y en buenas condiciones eléctricas.
 - Si el cable de extensión va a usarse en exteriores debe estar marcado con el sufijo "W-A" o "W" después de la designación del tipo de cable para indicar que es apto para usarse en exteriores. Por ejemplo: SJTW-A
- No la esponja a la lluvia, nieve o heladas.

SEGURIDAD PERSONAL

ADVERTENCIA

No use este producto en forma inadecuada. La exposición excesiva a la vibración, trabajar en posiciones incómodas y los movimientos de trabajo repetitivos pueden causar lesiones a las manos y brazos. Deje de usar cualquier herramienta si aparece incomodidad, cosquilleo o dolor y consulte a un médico.

- Manténgase alerta, preste atención a lo que hace y use su sentido común cuando maneje cualquier herramienta a motor. No use la herramienta si está cansado o bajo la influencia de drogas, alcohol o medicamentos. Un momento de distracción mientras maneja cualquier herramienta a motor puede dar como resultado graves lesiones personales.

PRECAUCION

Evite que se encienda accidentalmente. Asegúrese de que el interruptor esté en la posición de bloqueo o de apagado antes de hacer algún ajuste, cambiar los accesorios o guardar la herramienta. El transportar herramientas con el dedo en el interruptor encendido favorece los accidentes.

- Quite las llaves de ajuste o llaves de tuercas antes de encender la herramienta. Una llave de ajuste o llave de tuercas conectada a una pieza giratoria de la herramienta puede provocar lesiones personales.
- No intente alcanzar lugares alejados. Mantenga un buen soporte y equilibrio en todo momento. Un soporte y equilibrio adecuados permiten un mejor control de la herramienta en situaciones inesperadas.



- Trabaje siempre en un área bien ventilada. Use una máscara para polvo y gafas de seguridad aprobadas por OSHA.



- Sostenga la herramienta por la superficie de sujeción aislada cuando realice una operación en la que la herramienta pueda entrar en contacto con un cableado oculto. Al entrar en contacto con un cable de corriente las piezas metálicas de la herramienta conducirán la electricidad y el usuario recibirá un choque eléctrico.
- Mantenga las manos alejadas de las piezas móviles.
- Use sujetadores u otra manera práctica de asegurar la pieza de trabajo a una plataforma estable. Nunca sostenga el trabajo en sus manos, su regazo ni contra otras partes de su cuerpo cuando corte.
- Utilice siempre hojas que tengan el tamaño y los orificios de montaje de la forma correcta. Las hojas que no coincidan con la ferretería de montaje de la sierra aumentarán el riesgo de lesión al usuario y daño a la herramienta.

CUIDADO Y USO DE LA HERRAMIENTA

ADVERTENCIA

No use la herramienta si el interruptor no la enciende o no la apaga. Cualquier herramienta que no pueda ser controlada con el interruptor es peligrosa y debe repararse.

Directives De Sécurité (Suite)

- Ne jamais déclencher si l'outil n'est pas appliqué à un travail. Les accessoires doivent être bien attachés. Tout accessoire desserré peut provoquer de graves blessures.
- Ne jamais pointer un outil vers soi-même ou vers toute autre personne. Des blessures graves pourraient en résulter.
- Utiliser une pression constante et uniforme en utilisant l'outil. Ne pas forcer. Trop de pression pourrait mener au bris ou à la surchauffe de la lame.
- Garder tous les écrous, boulons et vis serrés et faire en sorte que l'équipement soit en bon état de marche.
- Ne pas mettre les mains près ou sous les pièces mobiles.

AIRE DE TRAVAIL

AVERTISSEMENT

Ne pas faire fonctionner un outil électrique dans une atmosphère explosive comme en présence de liquides, gaz ou poussières inflammables. Les outils électriques peuvent créer des étincelles qui pourraient ensuite enflammer les fumées ou la poussière.

ATTENTION

Garder l'aire de travail propre et bien éclairée. Les établis encombrés et les coins sombres attirent les accidents.

ATTENTION

Garder les spectateurs, les enfants et les visiteurs loin en utilisant un outil électrique. Les distractions peuvent faire perdre le contrôle.

SECURITÉ ÉLECTRIQUE

Les outils à double isolement sont dotés d'une fiche polarisée (une lame est plus large que l'autre). Cette fiche entre dans une prise polarisée d'une seule manière. Si la fiche n'entre pas entièrement dans la prise, l'inverser et l'insérer à nouveau.

AVERTISSEMENT

Ne pas exposer les outils électriques à la pluie ou à des conditions humides. Toute eau pénétrant dans l'outil électrique augmente le risque de choc électrique.

AVERTISSEMENT

Éviter tout contact entre le corps et les surfaces mise à la terre, telles que tuyaux, radiateurs, cuisinières et réfrigérateurs. Il y a un risque accru de choc électrique si votre corps est mis à la terre.

AVERTISSEMENT

Ne pas mal utiliser le cordon.

- Ne jamais porter l'outil par son cordon.
- Ne jamais débrancher le cordon en le tirant de la prise.

- S'assurer que le cordon soit placé de telle manière que l'on ne puisse pas marcher dessus, trébucher ou subir des dommages ou un stress quelconque.
- Ne pas utiliser de rallonges à moins que cela ne soit absolument nécessaire. Une mauvaise utilisation de rallonge pourrait mener à un risque d'incendie ou de choc électrique. S'il faut utiliser une rallonge, s'assurer que :
 - Les broches de la fiche de la rallonge sont du même nombre, de même taille et forme que celles de la fiche.
 - La rallonge est bien câblée et en bon état de fonctionnement électrique.
 - Si l'on utilise une rallonge à l'extérieur, elle doit porter le suffixe "W-A" ou "W" selon la désignation du type de cordon pour indiquer s'il peut servir à l'extérieur. Par exemple - SJTW-A
- Ne pas exposer à la pluie, à la neige ou au gel.

SECURITÉ PERSONNELLE

AVERTISSEMENT

Ne pas abuser ce produit. Toute exposition excessive à la vibration, tout travail dans les positions encombrantes et les motions de travail à répétition peuvent provoquer des blessures aux mains et aux bras. Cesser d'utiliser tout outil si l'on ressent un malaise, un engourdissement, un fourmillement ou une douleur et consulter un médecin.

- Il faut rester vigilant, savoir ce qu'on fait et utiliser son sens commun en faisant fonctionner un outil électrique. Ne pas faire fonctionner l'appareil fatigué ou sous l'influence de drogues, d'alcool ou de médicaments. Un moment d'inattention en faisant fonctionner les outils électriques peut mener à des blessures graves.

ATTENTION

Éviter tout démarrage accidentel. S'assurer que l'interrupteur soit verrouillé ou en position d'arrêt (off) avant d'apporter toute modification, de changer les accessoires ou de ranger l'outil. Transporter les outils avec le doigt sur l'interrupteur en position de marche invite les accidents.

- Retirer les clés à ouverture fixe ou les clés d'ajustement avant de mettre l'outil en marche. Une clé ou une clé à ouverture fixe installée sur une pièce mobile de l'outil pourrait mener à une blessure.



- Ne pas trop se pencher. Garder bon pied et bon équilibre en tout temps. Ceci permet d'avoir un meilleur contrôle de l'outil dans les situations imprévues.



- Toujours travailler dans un endroit bien ventilé. Porter un masque anti-poussières homologué OSHA et des lunettes de sécurité.
- Tenir l'outil par une surface de prise isolée en effectuant le travail lorsque l'outil pourrait entrer en contact avec un câblage caché. Un contact avec un fil « sous tension » rendra les pièces de métal exposées de l'outil « sous tension » et produira un choc pour l'opérateur.
- Garder les mains loin des pièces mobiles.
- Utiliser des pinces ou tout autre moyen pratique pour fixer le travail à une plate-forme stable. Ne jamais tenir le travail dans les mains, sur les genoux ou contre toutes parties du corps en coupant.
- Toujours utiliser les lames avec la bonne taille et la bonne forme de trous de montage. Les lames qui ne sont pas associées à la quincaillerie de montage de la scie augmenteront le risque de blessure à l'utilisateur et de dommages à l'outil.

UTILISATION ET ENTRETIEN DE L'OUTIL

AVERTISSEMENT

Ne pas utiliser l'outil si l'interrupteur ne se met pas en marche ou ne s'éteint pas. Tout outil qui ne peut pas être contrôlé par l'interrupteur est dangereux et doit être réparé.

Directives De Sécurité (Suite)

1. Cet outil NE peut PAS être modifié ou utilisé pour toute application autre que celle pour laquelle il a été conçu.

⚠ ATTENTION

Ne pas forcer l'outil. Utiliser le bon outil pour votre application. Le bon outil effectue le meilleur travail sécuritaire au rythme pour lequel il a été conçu.

2. Il faut entretenir les outils avec soin. Il faut garder les outils tranchants et propres. Des outils bien entretenus aux bords tranchants sont moins susceptibles de bloquer et sont plus faciles à contrôler.
3. Vérifier tout mauvais alignement ou blocage de pièces mobiles, bris de pièces et toute autre condition qui pourrait affecter le fonctionnement de l'outil. Si l'outil est endommagé, le réparer avant de l'utiliser. De nombreux accidents sont causés par des outils mal entretenus.
4. Utiliser seulement des accessoires recommandés par le fabricant pour votre modèle. Les accessoires convenables pour un outil peuvent créer un risque de blessure lorsqu'ils sont utilisés pour un autre.
5. Certains bois contiennent des agents de conservation qui pourraient être toxiques. Attention d'éviter toute inhalation et contact avec la peau en travaillant avec ces matériaux. Demander et suivre toute information de sécurité disponible du fournisseur de matériaux.

6. Ranger les outils hors de portée des enfants et autres personnes non formées. Les outils sont dangereux dans les mains d'utilisateurs non formés.
7. Éviter de couper les clous. Inspecter la pièce de travail pour tout signe de clous et les retirer avant d'utiliser.
8. Ne pas couper de tuyau creux.
9. Ne pas couper de pièce de travail surdimensionnée.
10. Vérifier le dégagement au-delà de la pièce de travail avant de couper pour que la lame ne frappe pas le plancher, l'établi etc.

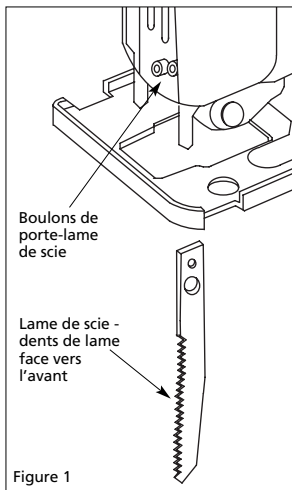


Figure 1

11. S'assurer que la lame n'est pas en contact avec la pièce de travail avant de mettre l'appareil en marche.
12. Garder les mains loin des pièces mobiles.
13. Ne pas laisser l'outil fonctionner. Faire fonctionner l'outil seulement lorsqu'il est à la main.

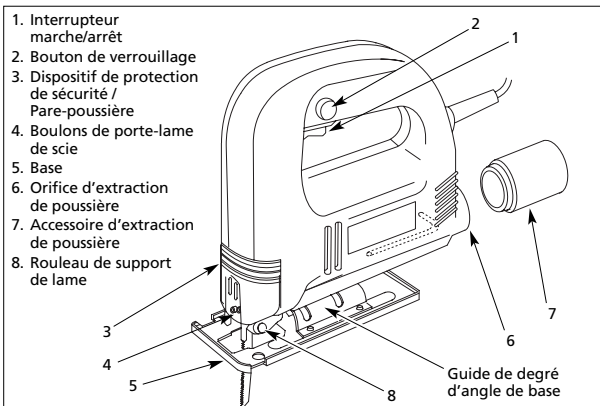


Figure 2

14. Toujours éteindre l'outil et attendre que la lame s'arrête complètement avant d'essayer de retirer la lame de la pièce de travail.
15. Ne pas toucher la lame ou la pièce de travail immédiatement après le travail car elle pourrait être extrêmement chaude et pourrait brûler la peau.

Assemblage

INSTALLER LA LAME

Toujours débrancher l'outil et placer l'interrupteur en position d'arrêt (off) avant tout assemblage, ajustement ou changement d'accessoires. De telles mesures de sécurité préventives réduisent le risque de démarrage accidentel de l'outil.

⚠ ATTENTION

Toujours retirer les copeaux ou les matières étrangères collées à la lame et/ou au porte-lame. Le non-respect de cette directive pourrait mener à un resserrement insuffisant de la lame et donc à des blessures graves.

1. Desserrer les boulons dans le sens antihoraire sur le porte-lame avec la clé allen (voir la figure 1).
2. Avec les dents de lame face vers l'avant, insérer la lame dans le porte-lame aussi loin que possible. S'assurer que le bord arrière de la lame s'ajuste dans le rouleau de support de lame (voir la figure 1).

Ver la Garantía en página 23 para información importante sobre el uso comercial de este producto.

Manual de Instrucciones y Lista de Piezas

DG460300CK

Sírvase leer y guardar estas instrucciones. Lea con cuidado antes de tratar de armar, instalar, manejar o darle servicio al producto descrito en este manual. Protéjase Ud. y a los demás observando todas las reglas de seguridad. El no seguir las instrucciones podría resultar en heridas y/o daños a su propiedad. Guarde este manual como referencia.



Sierra vertical

Descripción

Las sierras verticales son herramientas versátiles capaces de atravesar limpiamente y con precisión una gran variedad de materiales, incluyendo madera, metal, plásticos, cartón y cuero. La sierra vertical es una máquina de corte en curvas con una variedad de características que le permiten obtener varios tipos de corte. El corte por penetración es una característica exclusiva de las sierras verticales. Le permite cortar el material comenzando en medio de la pieza de trabajo.

Para desempacar

Cuando desempaque este producto, inspecciónelo cuidadosamente para detectar cualquier daño que pueda haber ocurrido durante el envío.

Informaciones Generales de Seguridad

Este manual contiene información que es muy importante que sepa y comprenda. Esta información se la suministramos como medida de SEGURIDAD y para EVITAR PROBLEMAS CON EL EQUIPO. Debe reconocer los siguientes símbolos.

⚠ PELIGRO

Esto le indica que hay una situación inmediata que LE OCASIONARIA la muerte o heridas de gravedad.

⚠ ADVERTENCIA

Esto le indica que hay una situación que PODRIA ocasionarle la muerte o heridas de gravedad.

⚠ PRECAUCION

Esto le indica que hay una situación que PODRIA ocasionarle heridas no muy graves.

AVISO

Esto le indica una información importante, que de no seguirla, le podría ocasionar daños al equipo.

PROPOSICIÓN DE CALIFORNIA 65

⚠ PELIGRO

Cuando corta lija, taladra o pule materiales como por ejemplo madera, pintura, metal, hormigón, cemento, u otro tipo de mampostería se puede producir polvo. Con frecuencia este polvo contiene productos químicos que se conocen como causantes de cáncer, defectos congénitos u otros daños reproductivos. Use equipo de protección.

⚠ ADVERTENCIA

Este producto, o su cordón eléctrico, contiene productos químicos conocidos por el estado de California como causantes de cáncer y defectos de nacimiento u otros daños reproductivos. Lave sus manos minuciosamente después de usar.

Las siguientes precauciones de seguridad se deben seguir en todo momento junto con cualquier otra norma de seguridad.

1. Lea con cuidado los manuales incluidos con este producto. Familiarícese con los controles y el uso adecuado del equipo.
2. Sólo se les debe permitir usar la sierra a aquellas personas bien familiarizadas con estas reglas de manejo seguro.

⚠ ADVERTENCIA

Se deberán usar gafas de seguridad durante la operación.

3. No use vestimenta suelta, bufandas o corbatas en el área de trabajo. Las prendas sueltas pueden quedar



atrapadas en las partes móviles y provocar graves lesiones personales.

4. No use alhajas al manejar herramientas. Las alhajas pueden quedar atrapadas en las partes móviles y provocar graves lesiones personales.

Especificaciones

Herramienta

| | |
|----------------------------|-----------------|
| Voltaje | 120V 60Hz |
| Clasificación de corriente | 2,9 A |
| Velocidad sin carga | 500 - 3000 rpm |
| Peso | 3,75 lbs 1,7 kg |

Capacidades máximas

| | |
|-----------------------------|---------|
| Profundidad de corte | |
| madera | 2-1/8" |
| acero | 1/4" |
| Capacidad de corte diagonal | 0 - 45° |

RECORDATORIO: ¡Guarde su comprobante de compra con fecha para fines de la garantía! Adjúntela a este manual o archívela en lugar seguro.

Garantie Limitée

1. DURÉE : À partir de la date d'achat par l'acheteur original comme suit - Un An
2. GARANTIE ACCORDÉE PAR (GARANT) : Campbell Hausfeld/Scott Fetzer Company, 100 Production Drive, Harrison, Ohio, 45030, Téléphone : (800) 543-6400
3. BÉNÉFICIAIRE DE CETTE GARANTIE (ACHETEUR) : L'acheteur original (sauf en cas de revente) du produit Campbell Hausfeld.
4. PRODUITS COUVERTS PAR CETTE GARANTIE : Tout outil mécanique Campbell Hausfeld fourni ou fabriqué par le garant.
5. COUVERTURE DE LA PRÉSENTE GARANTIE : Défauts de matière et de fabrication considérables qui se révèlent pendant la période de validité de la garantie.
6. LA PRÉSENTE GARANTIE NE COUVRE PAS :
 - A. Les garanties implicites, y compris celles de commercialisabilité et D'ADAPTION À UNE FONCTION PARTICULIÈRE SONT LIMITÉES À PARTIR DE LA DATE D'ACHAT INITIALE TELLE QU'INDIQUÉE DANS LA SECTION DURÉE. Si ce produit est utilisé à des fins commerciales, industriels ou de locations, aucune garantie ne s'applique. Quelques Provinces (États) n'autorisent pas de limitations de durée pour les garanties implicites. Les limitations précédentes peuvent donc ne pas s'appliquer.
 - B. TOUT DOMMAGE, PERTE OU DÉPENSE FORTUIT OU INDIRECT POUVANT RÉSULTER DE TOUT DÉFAUT, PANNE OU MAUVAIS FONCTIONNEMENT DU PRODUIT CAMPBELL HAUSFELD. Quelques Provinces (États) n'autorisent pas l'exclusion ni la limitation des dommages fortuits ou indirects. La limitation ou exclusion précédente peut donc ne pas s'appliquer.
 - C. Toute panne résultant d'un accident, d'une utilisation abusive, de la négligence ou d'une utilisation ne respectant pas les instructions données dans le(s) manuel(s) accompagnant le produit. Un accident, l'utilisation abusive par l'acheteur, la négligence ou le manque de faire fonctionner les produits selon les instructions comprend aussi l'enlèvement ou la modification de n'importe quel appareil de sûreté. Si ces appareils de sûreté sont enlevés ou modifiés, la garantie sera annulée.
 - D. Réglages normaux qui sont expliqués dans le(s) manuel(s) d'utilisation accompagnant le produit.
7. RESPONSABILITÉS DU GARANT AUX TERMES DE CETTE GARANTIE : Réparation ou remplacement, au choix du Garant, des produits ou pièces qui se sont révélés défectueux pendant la durée de validité de la garantie.
8. RESPONSABILITÉS DE L'ACHETEUR AUX TERMES DE CETTE GARANTIE :
 - A. Fournir une preuve d'achat datée et un état d'entretien.
 - B. Livraison ou expédition du produit ou de la pièce Campbell Hausfeld au Centre De Service Autorisé Campbell Hausfeld. Taux de frais, si applicables, sont la responsabilité de l'acheteur.
 - C. Utilisation et entretien du produit avec un soin raisonnable, ainsi que le décrit le(s) manuel(s) d'utilisation.

Cette Garantie Limitée s'applique aux É.-U., au Canada et au Mexique seulement et vous donne des droits juridiques précis. L'acheteur peut également jouir d'autres droits qui varient d'une Province, d'un État ou d'un Pays à l'autre.

Assemblage (suite)

3. Resserer le boulon dans le sens horaire pour fixer la lame bien en place.
4. Desserrer les boulons d'ajustement du biseau. Glisser le roulement de support de la lame en avant pour que la lame travaille dans la rainure. Resserer les boulons d'ajustement du biseau. Vérifier cet ajustement pour chaque changement de la lame ou ajustement du biseau.

Pour retirer la lame, suivre la procédure d'installation dans le sens contraire.

AVIS

Lubrifier le rouleau à l'occasion.

Pré-opération

Une bonne planification peut prévenir les accidents en utilisant les outils électriques. Planifier les coupes à l'avance du travail. Marquer une ligne de coupe sur la pièce de travail pour s'assurer de la bonne directive en utilisant l'outil.

Fonctionnement

AVERTISSEMENT
Porter des lunettes de sécurité et une protection des oreilles pendant son fonctionnement.

ATTENTION
S'assurer que le travail est bien en place dans l'étau ou pincé en place avant de commencer le travail. Le travail mal installé pourrait tourner et provoquer des blessures.

DANGER
Garder les mains loin de l'aire de coupe et de la lame.

Toujours tenir la base pour affleurer à la pièce de travail. Le non-respect de cette directive pourrait mener au bris de lame et donc à des blessures graves. Faire avancer la scie très lentement dans les courbes ou en découpant. Forcer l'outil pourrait mener à une surface de coupe penchée et au bris de lame.

Mettre l'outil en marche sans lame en contact et attendre que la lame atteigne sa pleine vitesse. Déposer ensuite la base à plat sur la pièce de travail et déplacer délicatement l'outil vers l'avant le long de la ligne de coupe marquée précédemment.

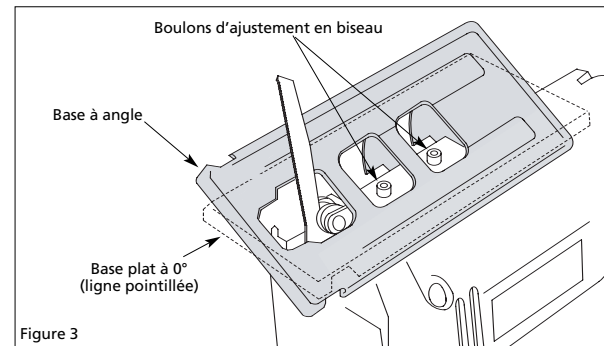


Figure 3

Si les deux mains tiennent la scie, elles ne peuvent pas être coupées par la lame. Tenir fermement la scie pour éviter la perte de contrôle. NE JAMAIS placer la main devant la lame de scie puisque la scie pourrait sauter vers l'avant sur la main.

Ne pas se pencher sous le travail. Ne pas essayer de retirer le matériel coupé lorsque la lame est en mouvement.

NE JAMAIS tenir la pièce à couper dans les mains ou sur votre jambe. Il est important de supporter correctement le travail pour réduire l'exposition du corps, le grippage de la lame ou la perte de contrôle.

Placer le bon côté du matériau face vers le bas et le fixer dans un étau d'établi ou le pincer.

En suivant les courbes, couper lentement pour que la lame puisse couper à travers le fil tranché. Ceci fournira une coupe exacte et empêchera la lame de dévier.

CAUSE ET PRÉVENTION DE L'UTILISATEUR DU RECUL :

Le RECUL est une réaction soudaine à une lame de scie pincée, accrochée ou mal alignée provoquant le soulèvement de la scie incontrôlée puis la sortie hors de la pièce vers l'opérateur. Le RECUL est le résultat de la mauvaise utilisation de l'outil et / ou de mauvaises procédures ou conditions d'opération et peut être évité en suivant les précautions appropriées indiquées plus bas :

1. Maintenir une prise ferme des deux mains de la scie et positionner le corps et le bras pour permettre de résister aux forces de RECUL. Ces forces se contrôlent par l'opérateur en suivant les bonnes précautions.

2. Lorsque la lame grippe ou en interrompant une coupe pour toute raison, dégager l'interrupteur et tenir la scie immobile dans le matériau jusqu'à ce que la lame s'arrête complètement. Ne jamais essayer de retirer la scie du travail ni reculer la scie tandis que la lame est en marche sinon il pourrait y avoir un RECUL. Vérifier et prendre les mesures correctrices voulues pour éliminer le grippage de la lame.

3. En redémarrant une scie sur la pièce, centrer la lame de scie dans le trait ou la coupe et vérifier que les dents de scie ne sont pas engagées dans le matériau. Si la lame de scie grippe, elle peut marcher ou RECULER de la pièce si la scie est redémarrée.

4. Supporter les larges panneaux pour réduire le risque de pincement de la lame et de RECUL. Les larges panneaux tendent à s'affaisser sous leurs propres poids. Des supports doivent être placés sous le panneau des deux côtés, près de la ligne de coupe et près du bord du panneau.

5. Ne pas utiliser de lames émoussées ou endommagées. Les lames mal placées ou affûtées produisent un trait de coupe étroit provoquant une friction excessive, un grippage de lame et un RECUL.

6. Les vis d'ajustement de la base doivent être serrées et bien en place avant de couper. Si l'ajustement de lame se déplace pendant la coupe, il pourrait y avoir grippage et RECUL.

7. Attention pendant une « coupe en poche » dans les murs actuels ou autres endroits borgnes. La lame qui ressort peut couper des objets qui peuvent provoquer le RECUL.

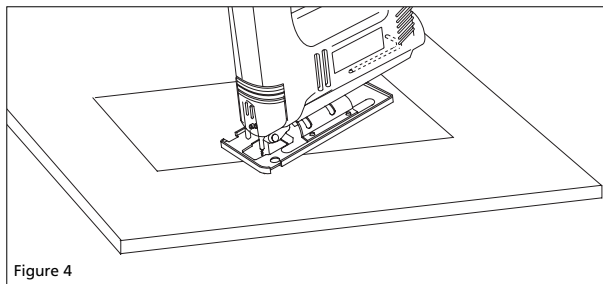


Figure 4

Fonctionnement (suite)

- Attention au matériau dense, nouveau, humide ou déformé. Ils sont les plus susceptibles de créer des conditions de pincement et des RECULS possibles.
- Rester vigilant. Toute distraction peut provoquer une torsion ou un grippage. Les coupes à répétition peuvent créer chez l'utilisateur des mouvements imprudents.

COUPER AVEC UNE RÈGLE DE VÉRIFICATION

Toujours utiliser une lame à taille rude si possible. Pincer une règle de vérification sur le travail parallèlement à la ligne de coupe et affleurant avec le côté du bois de la scie. Soit marquer d'abord la ligne de coupe, puis positionner la règle de vérification parallèle et à la même distance qu'entre la lame et le bord de côté du bois ou marquer d'abord le bord de côté du bois et pincer la règle de vérification sur la marque parallèle à la ligne de coupe.

En coupant, garder le bord du bois de scie affleurant contre la règle de vérification et à plat sur la pièce de travail.

AJUSTEMENT DU BISEAU

Toujours s'assurer que l'outil est éteint. Débrancher l'outil. La base s'ajuste jusqu'à 45° en desserrant le bouton d'ajustement en biseau sous la scie. Aligner l'angle voulu sur le secteur corrigé. Resserrer ensuite les boutons d'ajustement en base. À cause de l'engagement de lame accru sur le travail et la stabilité réduite du bois, la lame pourrait gripper. Garder la scie fixe et la base fermement sur la pièce de travail.

COUPE EN BISEAU

ATTENTION

Toujours s'assurer que l'outil est éteint et débrancher avant de pencher la base.

Avec la base penchée, on peut faire des coupes en biseau à tout angle entre 0 et 45° (gauche ou droite).

Desserrer les boulons sous l'outil avec la clé allen.

Pencher la base jusqu'à ce qu'on atteigne l'angle en biseau recherché. Le bord du boîtier du moteur indique l'angle de base par des repères étampés sur la base.

Resserrer les boulons pour fixer la base bien en place.

DÉCOUPES

Les découpes se font de deux manières :

- Aléser un trou de départ :
 - Pour les découpes internes sans coupe de départ d'un bord, pré-percer un trou de démarrage de 12 mm (1/2 po) ou plus de diamètre. Insérer la lame dans ce trou pour démarrer votre coupe.
- Coupe en plongée (voir la figure 4) :
 - Il n'est pas nécessaire d'aléser un trou de départ ou de faire une coupe de départ si l'on suit ces indications :
 - Pencher l'outil vers le haut sur le bord avant de la base avec la pointe de lame positionnée juste au-dessus de la surface de la pièce de travail.
 - Appliquer de la pression sur l'outil pour que le bord avant de la base ne se déplace pas en mettant l'outil en marche et abaisser délicatement et lentement l'extrémité arrière de l'outil.

- Tandis que la lame perce la pièce de travail, abaisser lentement la base de l'outil sur la surface de la pièce de travail.
- Terminer la coupe de manière normale.

La coupe en plongée est utile et fait gagner du temps pour les ouvertures à taille rude dans des matériaux mous. Pour les coins prononcés, couper le coin, puis reculer un peu avant de tourner le coin. Après avoir terminé l'ouverture, revenir à chaque coin et couper de la direction opposée pour équerer. Ne pas essayer de coupe en plongée dans des matériaux durs comme l'acier.

BORDS DE FINITION

Pour tailler les bords ou apporter des ajustements dimensionnels, passer la lame délicatement le long des bords de coupe.

COUPE DE MÉTAUX

En coupant le matériau le pincer. Il faut être certain de déplacer la scie lentement. Utiliser des vitesses plus lentes.

Ne pas tourner, plier ou forcer la lame. Si la scie saute ou rebondit, utiliser une lame aux dents plus fines. Si la lame semble se bloquer en coupant les métaux mous, utiliser alors une lame aux grosses dents.

Pour faciliter la coupe, lubrifier la lame avec un bâton de cire de coupe, si disponible et utiliser de l'huile de coupe en coupant l'acier. Le métal mince devrait être placé en « sandwich » entre ou déposé sur deux pièces de bois ou bien pincé sur une seule pièce de bois (bois sur le dessus du métal). Tracer des lignes de coupe ou des designs sur la pièce de bois du dessus. En coupant l'extrusion d'aluminium ou les cornières, pincer le travail dans un étai et scier près des mâchoires de l'étai.

En sciant les tubes et si le diamètre est plus large que la profondeur de lame, couper à travers la paroi du tube, puis insérer la lame dans la coupe en tournant le tube en sciant.

ATTENTION

Ne pas utiliser l'adaptateur d'aspirateur en coupant le métal. Les limages de métal seront chauds et peuvent provoquer un incendie.

Fonctionnement (suite)

SCIER DES STRATIFIÉS

Tandis que la lame de scie coupe en montant, il pourrait y avoir des écaillages sur la surface la plus proche de la plaque de semelle.

- Utiliser une lame de scie à dents fines.
- Scier de la surface arrière de la pièce de travail (côté fini vers le bas).
- Pour réduire l'écaillage, pincer une pièce de bois de rebus ou de bois dur des deux côtés de la pièce de travail et scier à travers ce sandwich.

EXTRACTION DE POUSSIÈRE

Des opérations de coupe franche peuvent être effectuées en connectant cet outil à un aspirateur. Insérer le boyau de l'aspirateur dans le trou à l'arrière de l'outil. Abaisser le couvercle protecteur avant l'opération.

ATTENTION

Ne pas utiliser l'adaptateur d'aspirateur en coupant le métal. Les limages de métal seront chauds et peuvent provoquer un incendie à l'intérieur de l'aspirateur.

AVIS

L'extraction de poussière ne peut pas être exécutée ou a une efficacité réduite efficace pendant les coupes en biseau.

Entretien

Tout le travail d'entretien et de réparation doit être effectué seulement par un personnel de réparation qualifié. L'entretien ou les réparations non effectués par un personnel qualifié pourraient mener à des blessures.

Si l'outil continue à ne pas démarrer ou fonctionner correctement, retourner l'outil à une installation de service pour sa réparation.

Nettoyage

Nettoyer la saleté et les débris des événements et des contacts électriques en soufflant de l'air comprimé. Les leviers de verrouillage et les événements du moteur doivent rester propres et libres de toute matière étrangère. Ne pas essayer de les nettoyer en insérant des objets pointus par les ouvertures. Garder les poignées des outils propres, sèches et libres d'huile ou de graisse. Utiliser seulement un savon doux et un chiffon humide pour nettoyer l'outil en restant loin de tous les contacts électriques.

Certains agents de nettoyage et solvants sont dangereux pour les plastiques et autres pièces isolées. Certains de ces articles incluent : essence, térébenthine, diluant de laque, diluant de peinture, solvants de nettoyage au chlore, ammoniac et détergents résidentiels contenant de l'ammoniac.

Ne jamais utiliser de solvants inflammables ou combustibles autour des outils.

LUBRIFICATION

Pour votre sécurité continue et une protection électrique, la lubrification et l'entretien de cet outil NE doivent être effectués que par UN CENTRE DE SERVICE AUTORISÉ CAMPBELL HAUSFELD.

SERVICE TECHNIQUE

Pour obtenir de l'information sur le fonctionnement ou la réparation de ce produit, veuillez appeler le 1-800-424-8936.

ATTENTION

Tout le travail d'entretien et de réparation doit être effectué seulement par un personnel de réparation qualifié. L'entretien ou les réparations non effectués par un personnel qualifié pourraient mener à des blessures.

En réparant ou faisant l'entretien d'un outil, utiliser seulement des pièces de rechange identiques. Suivre les instructions de la section d'entretien présentées dans le manuel. Utiliser des pièces non autorisées ou ne pas suivre les instructions d'entretien peut mener à un risque d'incendie, de choc électrique ou de blessures.

Pour Pièces de Rechange ou assistance technique, appeler 1-800-424-8936

S'il vous plaît fournir l'information suivante :

- Numéro de Modèle
- Numéro de série (si présent)
- Description et numéro de la pièce

Adresser toute correspondance à :
Campbell Hausfeld
Attn: Customer Service
100 Production Drive
Harrison, OH 45030 U.S.A.

Liste de Pièces de Rechange

| Description | N° de Pièce | Qté |
|----------------------|-------------|-----|
| Lame de scie | DG025800AV | 1 |
| Orifice de poussière | DG028100AV | 1 |
| Clé Allen de 3 mm | DG026100AV | 1 |

Free Manuals Download Website

<http://myh66.com>

<http://usermanuals.us>

<http://www.somanuals.com>

<http://www.4manuals.cc>

<http://www.manual-lib.com>

<http://www.404manual.com>

<http://www.luxmanual.com>

<http://aubethermostatmanual.com>

Golf course search by state

<http://golfingnear.com>

Email search by domain

<http://emailbydomain.com>

Auto manuals search

<http://auto.somanuals.com>

TV manuals search

<http://tv.somanuals.com>