



PANEL & FLANGE FANS

*better AIRFLOW
by DESIGN™*



**APW
DIRECT DRIVE
PANEL FANS**

- Spark resistant cast aluminum airfoil axial impeller
- Aerodynamically efficient performance
- Factory set adjustable pitch blades
- Deep drawn steel venturi with baked polyester paint
- Heavy duty welded steel construction
- TEFC industrial duty motor
- Sizes range from 14" to 60"
- Direct drive capacities to 60,000 cfm

APW DIRECT DRIVE PANEL FANS

STANDARD FEATURES & BENEFITS

- Spark resistant cast aluminum airfoil axial impeller
- Factory set adjustable pitch blades
- Aerodynamically efficient performance
- Heavy duty welded steel motor base and panel construction
- Baked polyester powder coat paint finish
- TEFC industrial duty motor
- Simple maintenance— no belts or pulleys

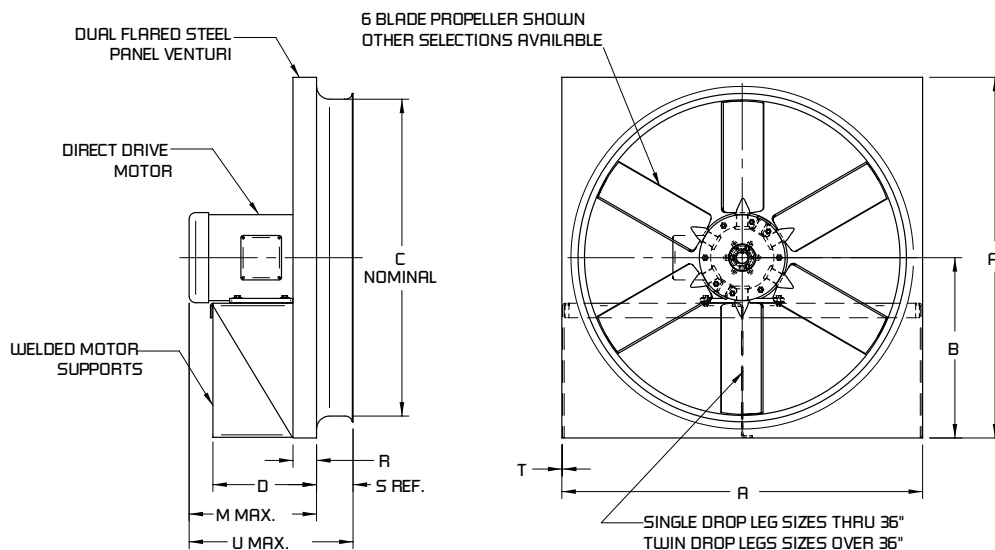


APPLICATIONS

- General ventilation
- Petrochemical ventilation
- Parking garage ventilation
- Power plant ventilation
- Foundry ventilation
- Warehouse & distribution center ventilation

ACCESSORIES / OPTIONS

- Motor operated shutter
- Mounting boot
- Explosion proof motors
- Special duty motors
- AMCA spark resistant construction
- Motor side guard
- Gravity shutter
- Bird screen
- Reverse flow construction
- Weather hood
- Special materials and coatings - consult factory
- Propeller side guard



MODEL	DIMENSIONS IN INCHES*									
	A	B	C	D	M	R	S	T	U	MAX MTR FRAME
APW-14	18.0	9.0	14.8	9.3	11.1	2.0	1.8	0.1	12.9	56
APW-16	20.0	10.0	16.8	9.3	11.9	2.0	2.5	0.1	14.4	56
APW-18	22.0	11.0	18.8	10.1	13.1	2.0	2.5	0.1	15.6	182/4T
APW-21	24.0	12.0	20.8	9.6	12.8	2.0	3.3	0.1	16.1	182/4T
APW-24	30.0	15.0	24.8	12.7	15.2	2.8	3.6	0.1	18.8	213/5T
APW-27	32.0	16.0	27.9	12.7	15.2	2.8	4.0	0.1	19.2	213/5T
APW-30	36.0	18.0	31.0	12.8	15.2	2.8	3.7	0.1	18.8	213/5T
APW-36	42.0	21.0	36.9	17.4	19.8	2.8	4.3	0.1	24.1	254/6T
APW-42	48.0	24.0	42.9	17.4	19.8	2.8	4.8	0.1	24.6	254/6T
APW-48	54.0	27.0	48.9	19.7	23.6	2.8	4.8	0.1	28.3	284/6T
APW-54	60.0	30.0	55.0	22.4	26.9	2.8	5.0	0.1	31.9	324/6T
APW-60	Contact Factory									

MODEL	PERFORMANCE RATING
	MAXIMUM CFM
APW-14	3,000
APW-16	4,500
APW-18	6,000
APW-21	7,500
APW-24	12,000
APW-27	16,000
APW-30	22,000
APW-36	28,000
APW-42	36,000
APW-48	46,000
APW-54	60,000
APW-60	Contact Factory

*DO NOT USE FOR CONSTRUCTION

CONSULT FACTORY FOR CERTIFIED PRINTS

APW DIRECT DRIVE PANEL FANS

PRODUCT SPECIFICATION GUIDE

1.0 GENERAL

- A. Fans shall be model APW Direct Drive Panel Fans, as manufactured by Continental Fan Manufacturing Inc., of Buffalo, NY, and of the size, capacity and flow direction as indicated on the drawings and fan schedule.
- B. Fans shall be rated and tested in accordance with ANSI/AMCA Standard 210-99.
- C. All motors and electrical components shall conform to NEMA standards.

2.0 FAN HOUSING

- A. Fan housing shall be constructed of welded heavy gauge steel panel and motor base.
- B. Fan panel shall have a deep venturi for smooth air entry, and shall be suitable for standard or reverse air flow, as required.
- C. Fan housing and motor base shall be coated with baked polyester powder coat finish.

3.0 FAN IMPELLER

- A. Axial impeller shall be constructed of spark resistant die cast aluminum airfoil shaped blades secured to a die cast aluminum hub assembly.
- B. Axial impeller blades shall be of adjustable pitch construction with multiple hub-to-blade arrangements to maximize air performance. Blade pitch angles shall be factory set.
- C. Axial impeller hub shall be designed to incorporate a split taper bushing, and be keyed directly to drive shaft.

4.0 FAN MOTOR AND DRIVE

- A. Motor shall be TEFC industrial duty and conform to NEMA standards.
- B. Motor shall be of voltage, horsepower, RPM and enclosure as indicated on the fan schedule.

5.0 OPTIONAL FAN ACCESSORIES

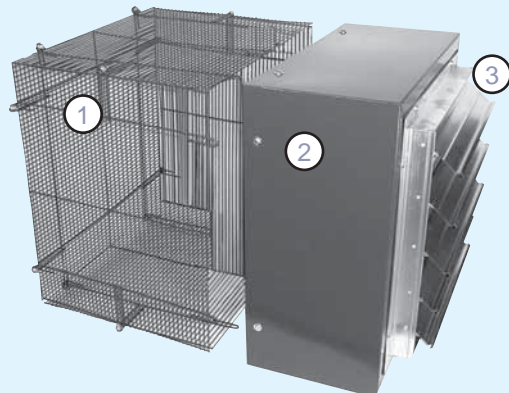
- A. Where indicated, fan shall be provided with the following optional accessories:
 - Mounting boot
 - Gravity shutter
 - Motor operated shutter
 - Reverse flow construction
 - Weather hood
 - Motors
 - Explosion Proof
 - Special Duty
 - AMCA spark resistant construction
 - Bird screen
 - Motor side guard
 - Propeller side guard
 - Special materials and coatings - consult factory

6.0 FAN TESTING

- A. Axial impeller shall be balanced and mounted in fan assembly.
- B. Fan assembly shall be run and tested prior to shipment.
- C. A test report shall be maintained on file for each individual fan.

ACCESSORIES / OPTIONS

1. Motor side guard
2. Mounting boot
3. Gravity shutter



Industrial Fan Division

The Industrial Fan Division offers superbly crafted industrial fans and ventilators, expertly supported by a network of independent manufacturers' representatives.



Panel Fans

Centrifugal Fans

Flange Fans

In-line Fans

Roof Ventilators

Iris Dampers

OEM Fan Division

The OEM Fan Division works closely with original equipment manufacturers to meet their design requirements, offering in-stock fan components, 3D models and custom fan solutions.



Cabinet Cooling Fans

Motorized Axials

Motorized Impellers

Centrifugal Fans

Axial Impellers

Centrifugal Impellers

Wholesale Products Division

The Wholesale Products Division offers a superior line of in-stock commercial and residential ventilation products, available from wholesalers and distributors across North America.



Bathroom Fans

Air Purification Systems

In-Line Duct Fans

External Mount Fans

Radial Blade Blowers

Exhaust Fans

USA

www.continentalfan.com

Continental Fan Manufacturing Inc.
203 Eggert Road, Buffalo, NY 14215
Tel: (716) 842 0670 Fax: (716) 842 0611

Canada

www.aeroflo.com

Aeroflo Inc.
12-205 Matheson Blvd. E., Mississauga, ON L4Z 3E3
Tel: (905) 890 6192 Fax: (905) 890 6193

APW DIRECT DRIVE PANEL FANS



Free Manuals Download Website

<http://myh66.com>

<http://usermanuals.us>

<http://www.somanuals.com>

<http://www.4manuals.cc>

<http://www.manual-lib.com>

<http://www.404manual.com>

<http://www.luxmanual.com>

<http://aubethermostatmanual.com>

Golf course search by state

<http://golfingnear.com>

Email search by domain

<http://emailbydomain.com>

Auto manuals search

<http://auto.somanuals.com>

TV manuals search

<http://tv.somanuals.com>