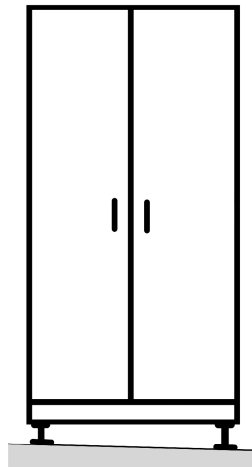
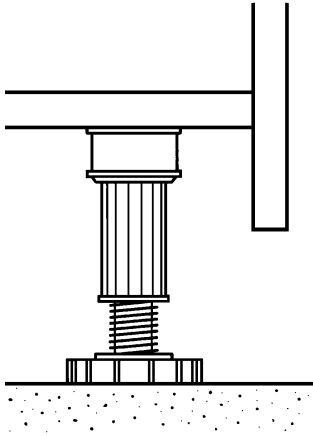
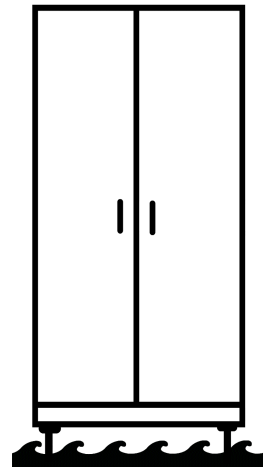


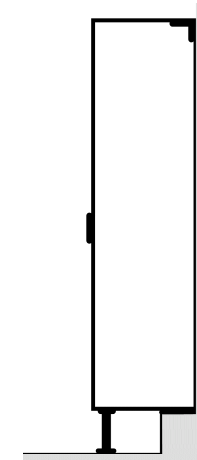
# Model 12009



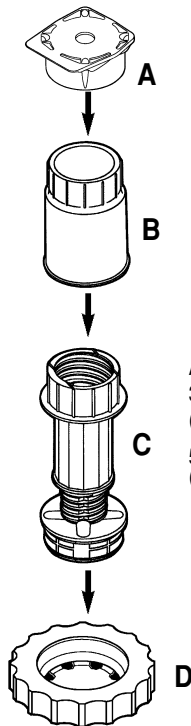
Level Cabinets



Protect From Water

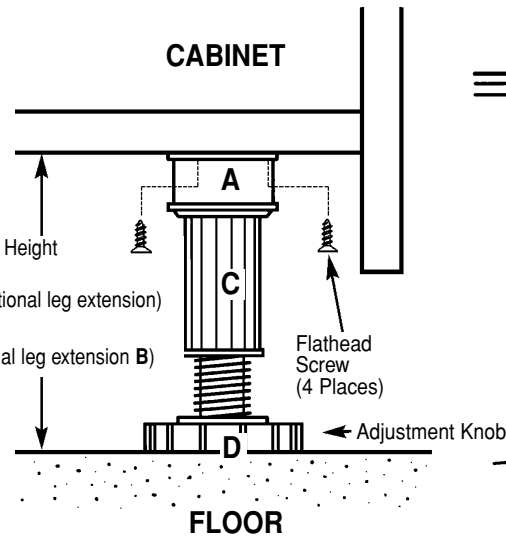


Level with Foundation



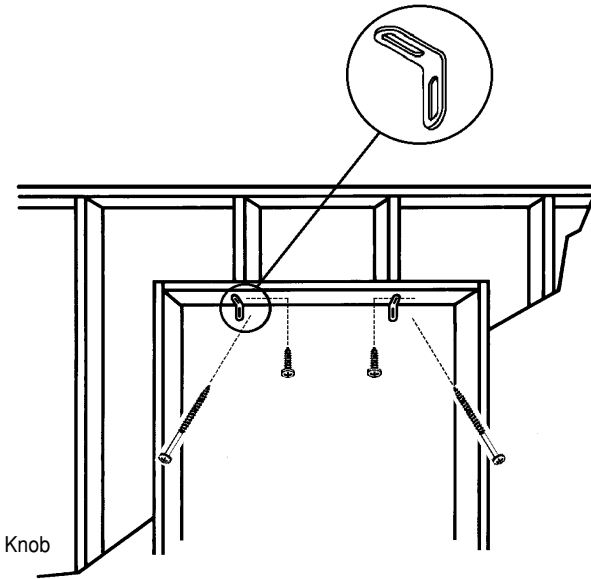
Adjustment Height  
3<sup>3</sup>/<sub>4</sub>" to 6"  
(without optional leg extension)

5<sup>3</sup>/<sub>4</sub>" to 8"  
(with optional leg extension B)



Flathead  
Screw  
(4 Places)

Adjustment Knob



Attach short wood screws into cabinet top.  
Attach long screws thru cabinet back panel  
and into wall studs.

## Free Manuals Download Website

<http://myh66.com>

<http://usermanuals.us>

<http://www.somanuals.com>

<http://www.4manuals.cc>

<http://www.manual-lib.com>

<http://www.404manual.com>

<http://www.luxmanual.com>

<http://aubethermostatmanual.com>

Golf course search by state

<http://golfingnear.com>

Email search by domain

<http://emailbydomain.com>

Auto manuals search

<http://auto.somanuals.com>

TV manuals search

<http://tv.somanuals.com>