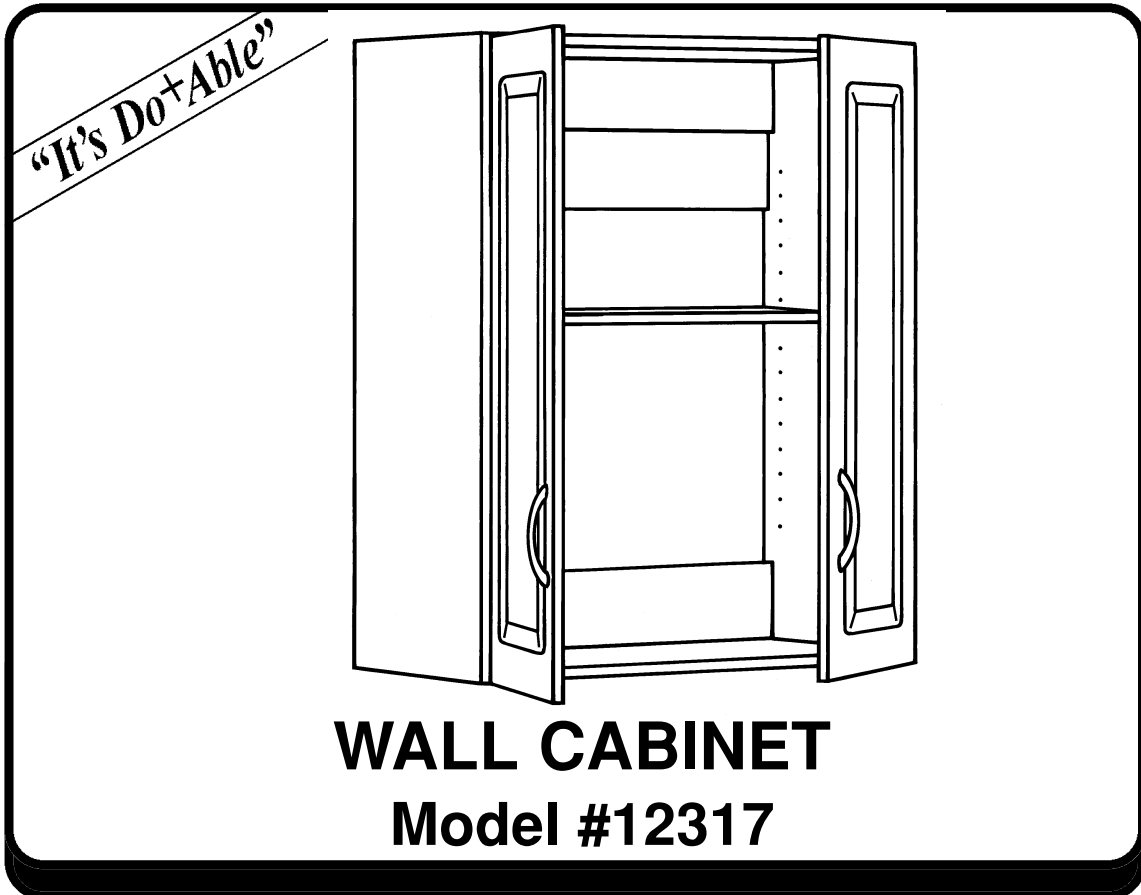


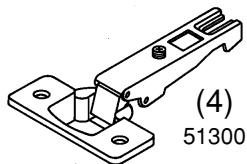
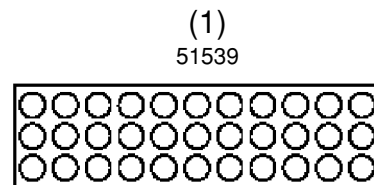
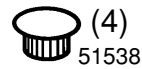
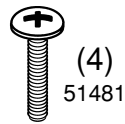
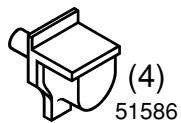
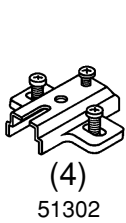
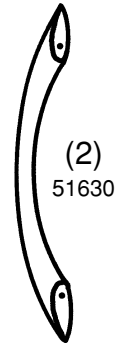
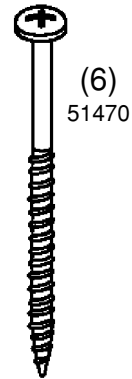
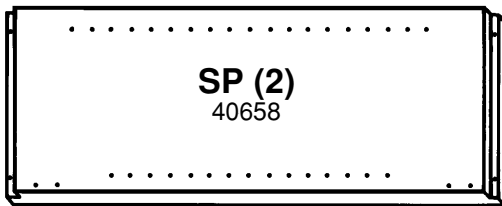
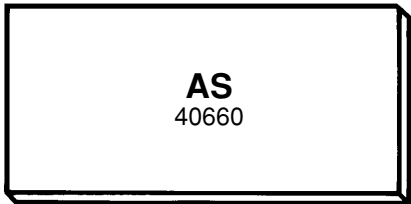
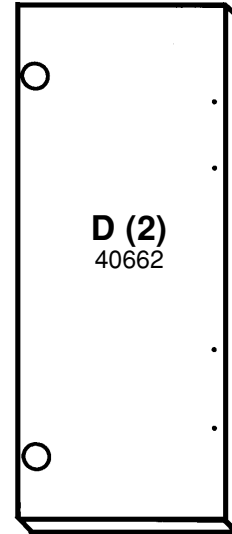
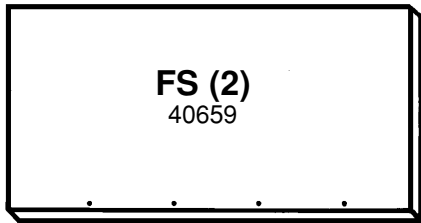


**ASSEMBLY INSTRUCTIONS  
INSTRUCCIONES PARA ENSAMBLAR  
DIRECTIVES D'ASSEMBLAGE**

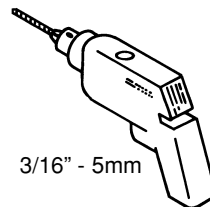
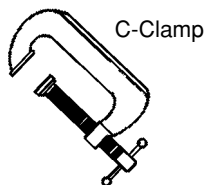


**5150 EDISON AVENUE • CHINO, CALIFORNIA 91710-5717  
CUSTOMER SERVICE: (800) 829-3648  
7 am to 5 pm M-F Pacific Time**

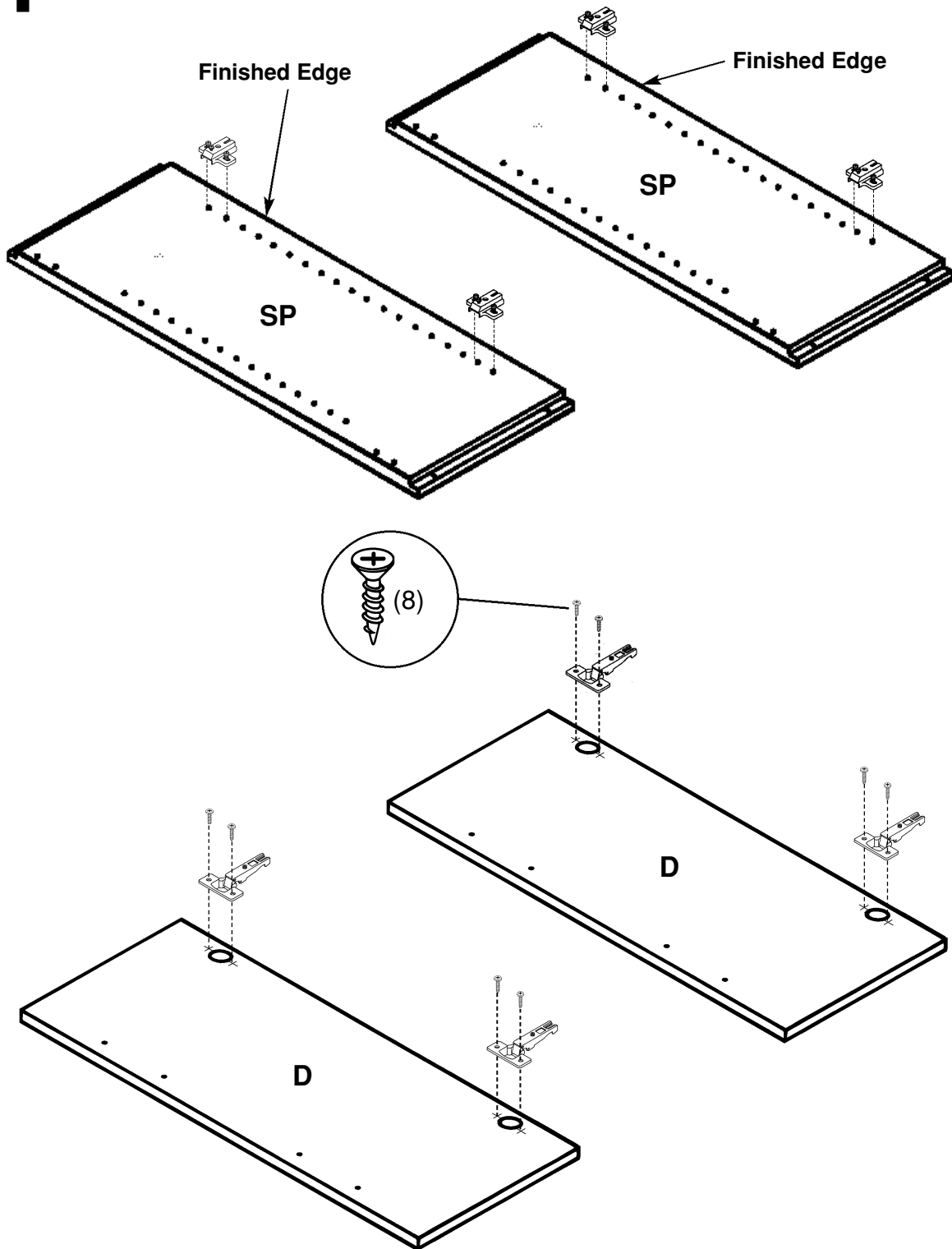
# PARTS LIST / LISTA DE PIEZAS / LISTE DE PIECES



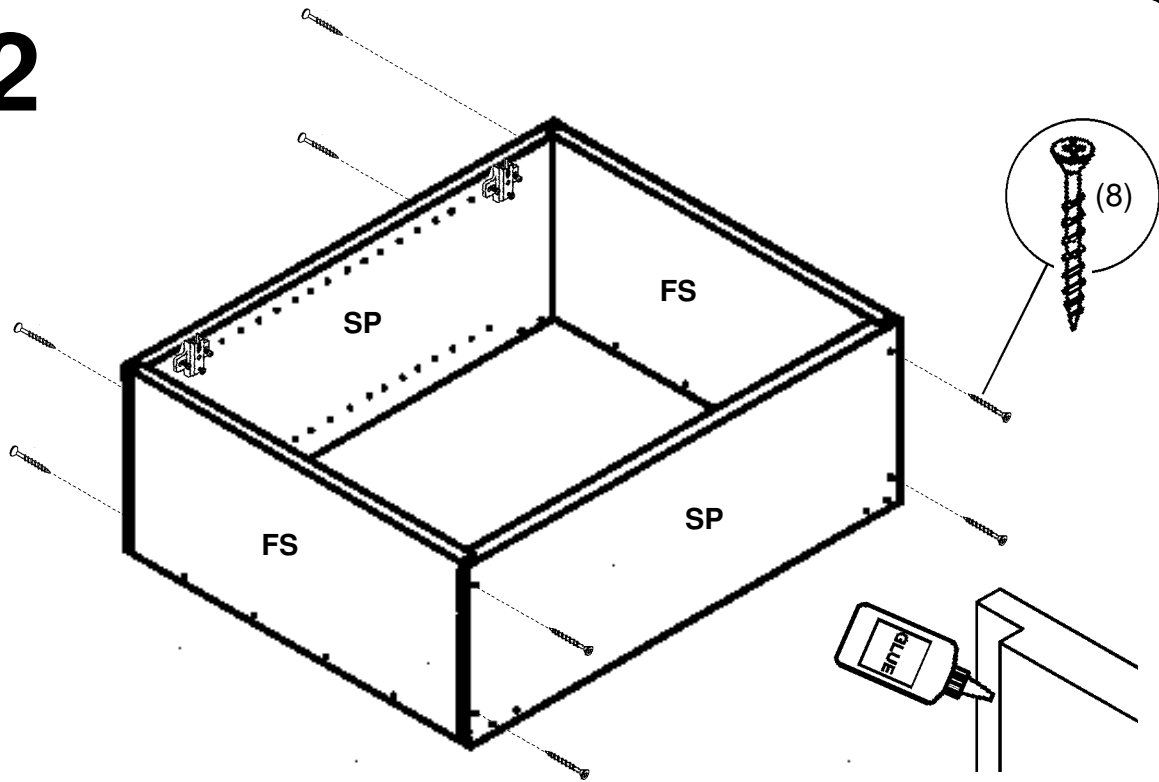
## TOOLS / HERRAMIENTAS / OUTILS



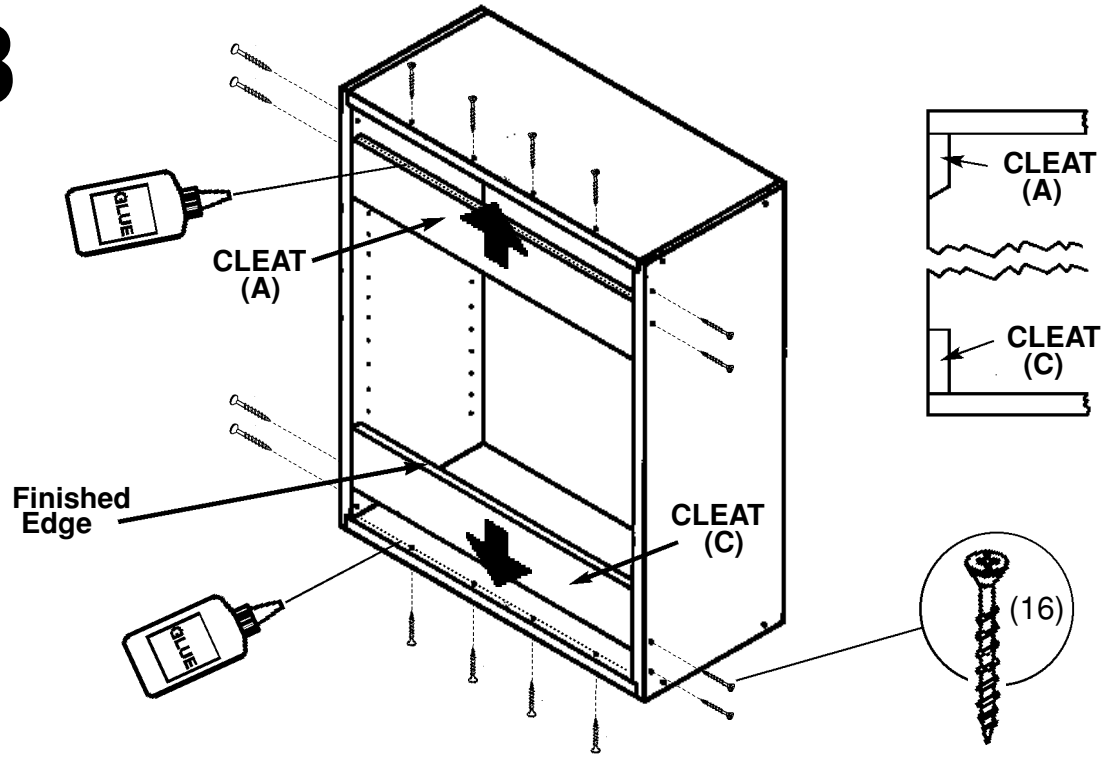
# 1



2

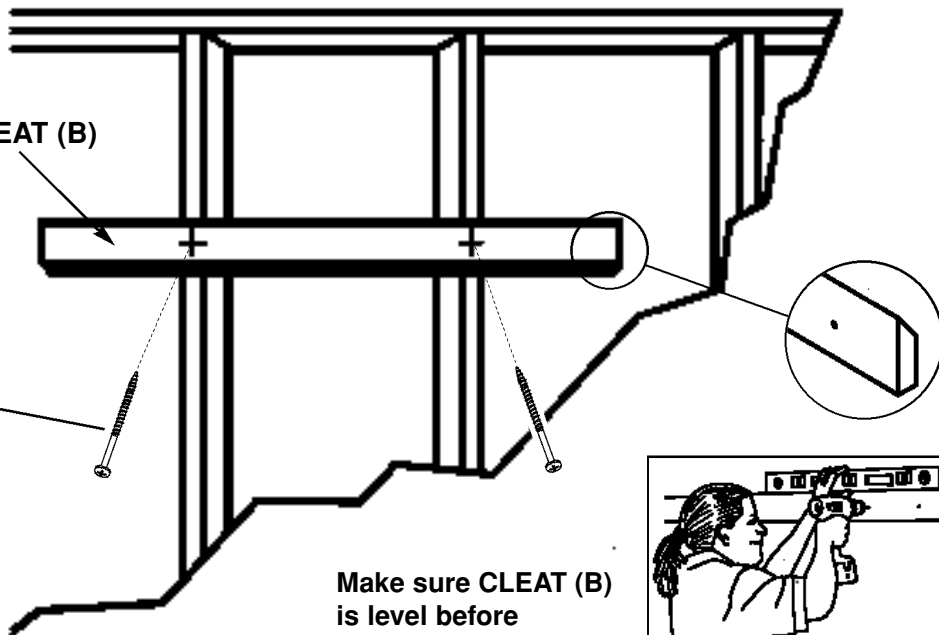
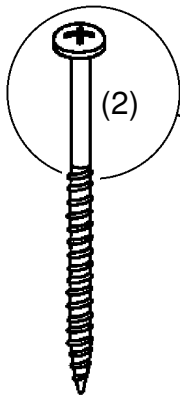


3

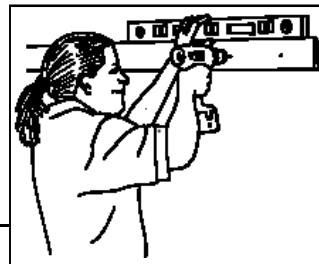


4

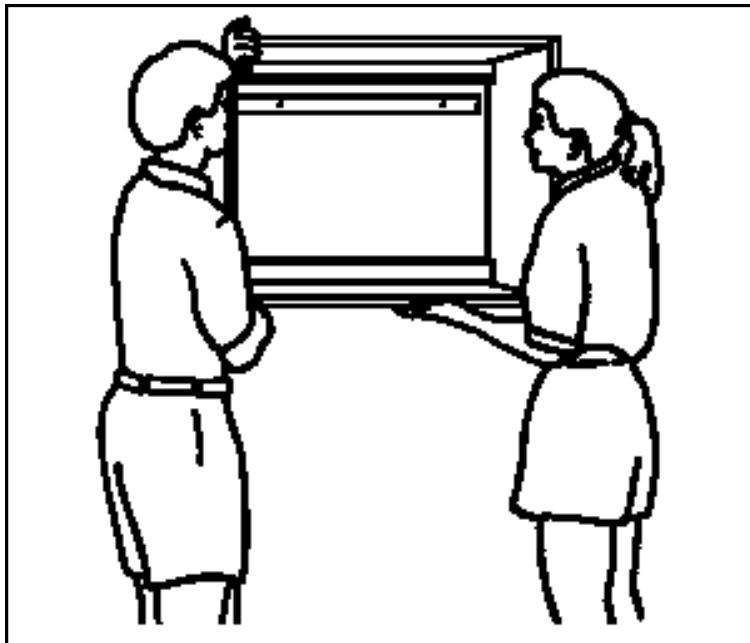
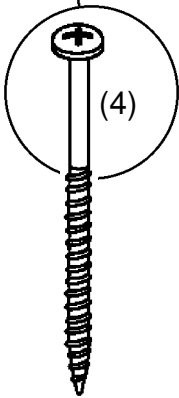
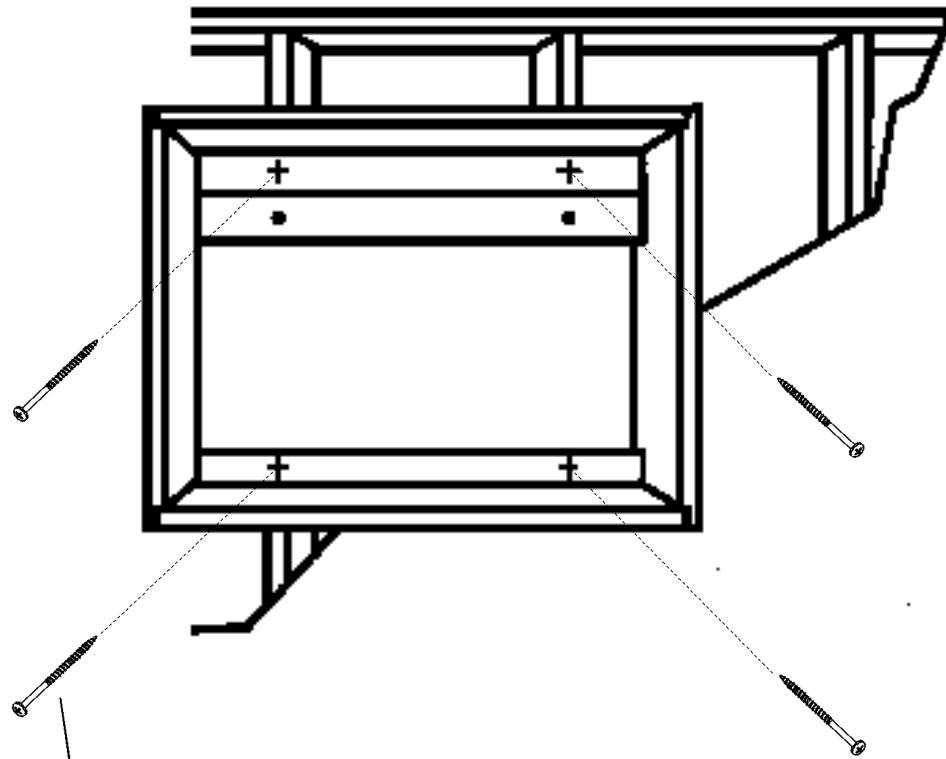
CLEAT (B)



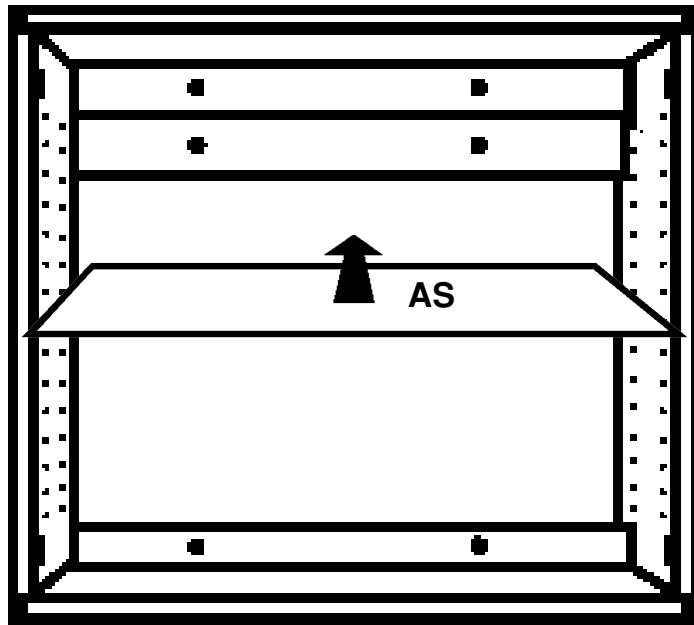
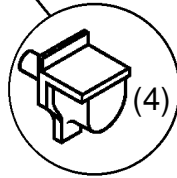
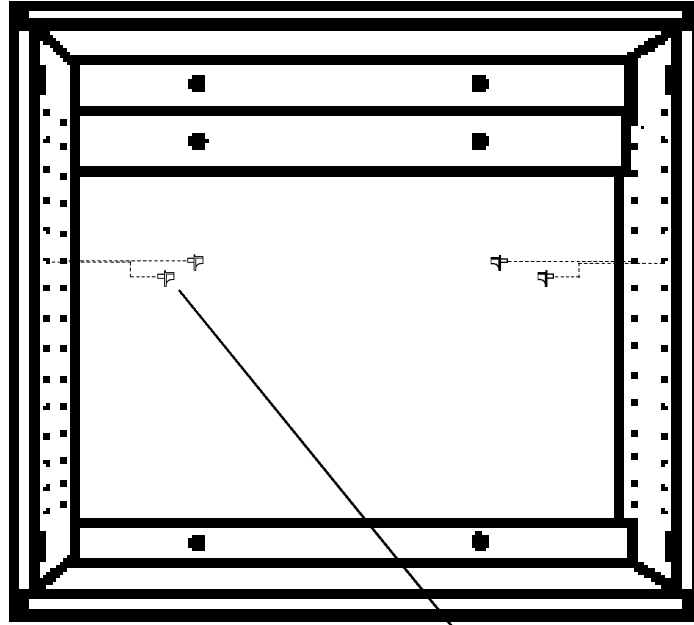
Make sure CLEAT (B)  
is level before  
installing screws



5

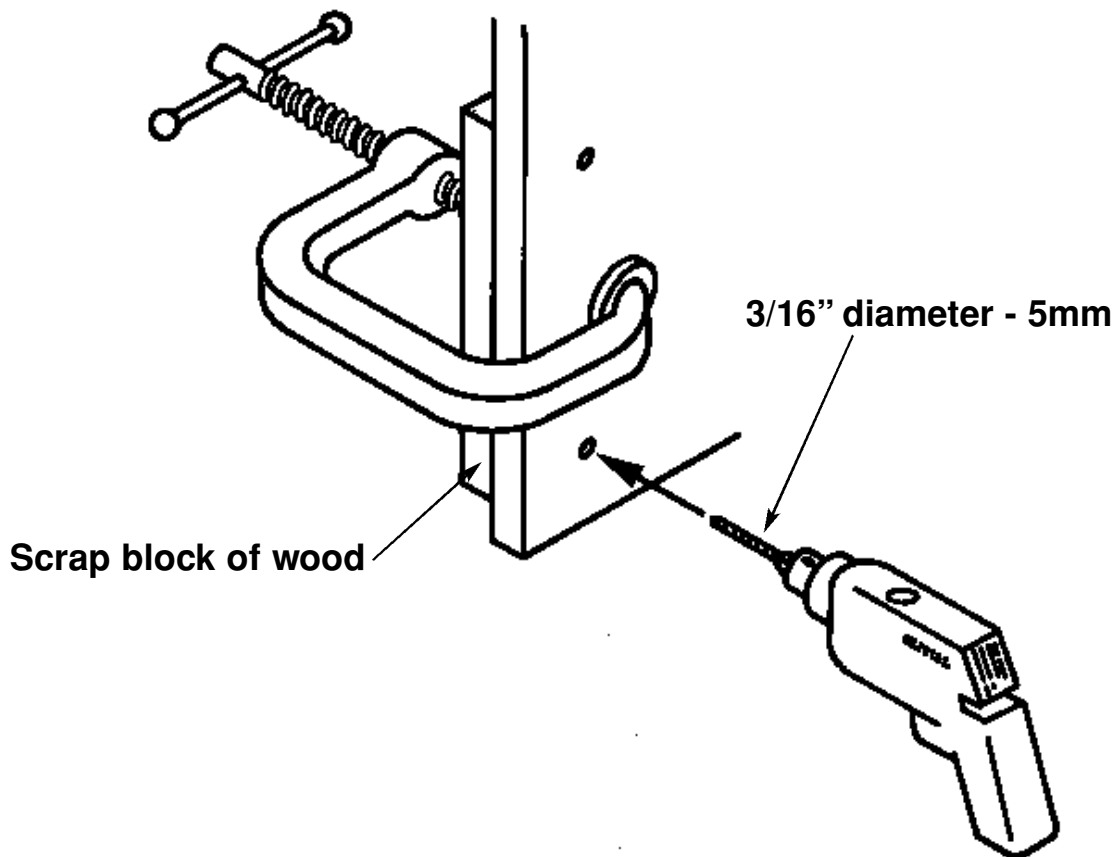


6



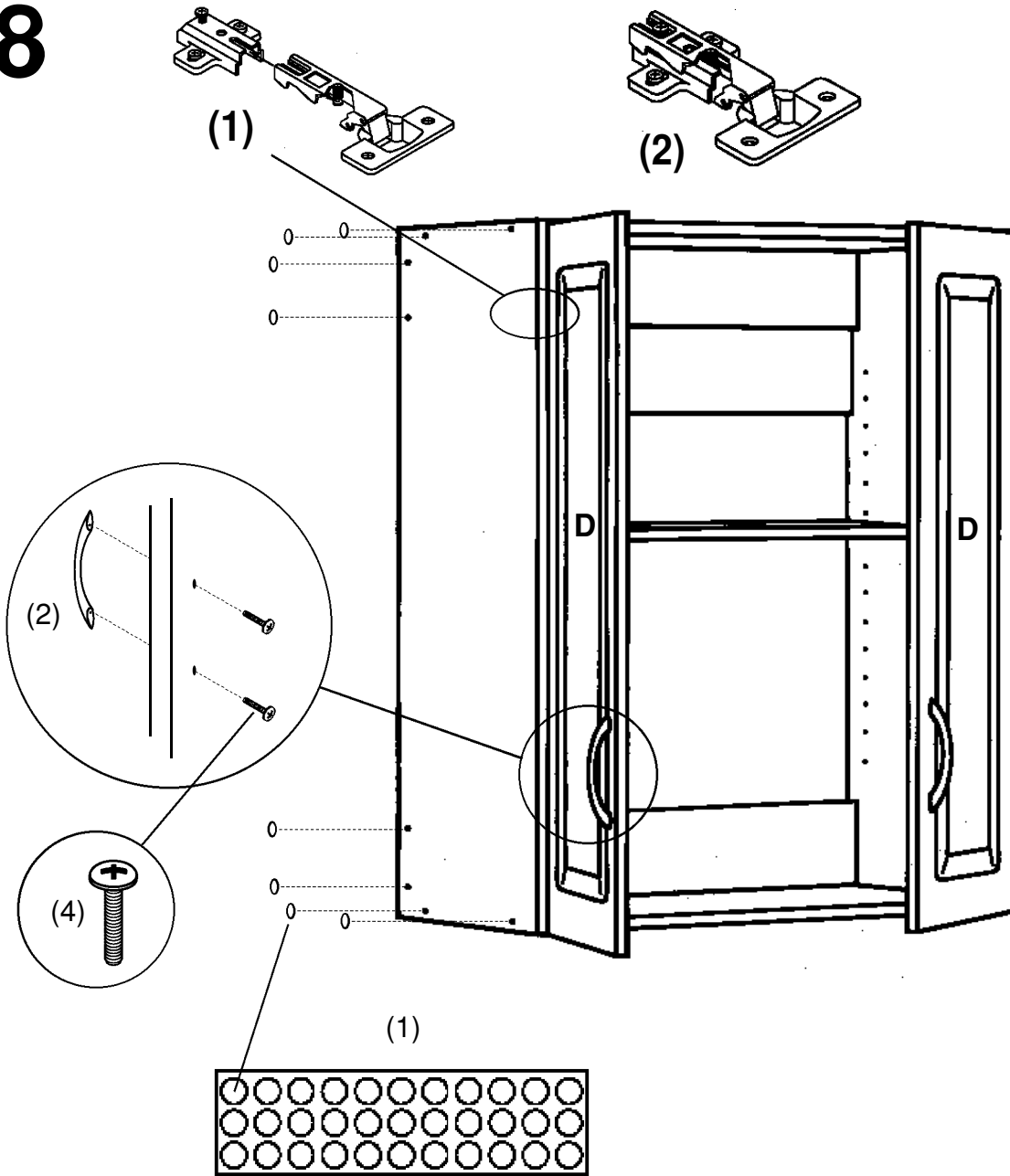
7

**NOTE: Please Do Not drill doors until handle positions are decided.**

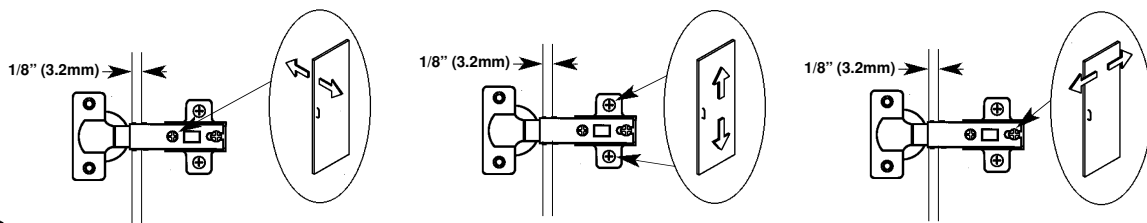




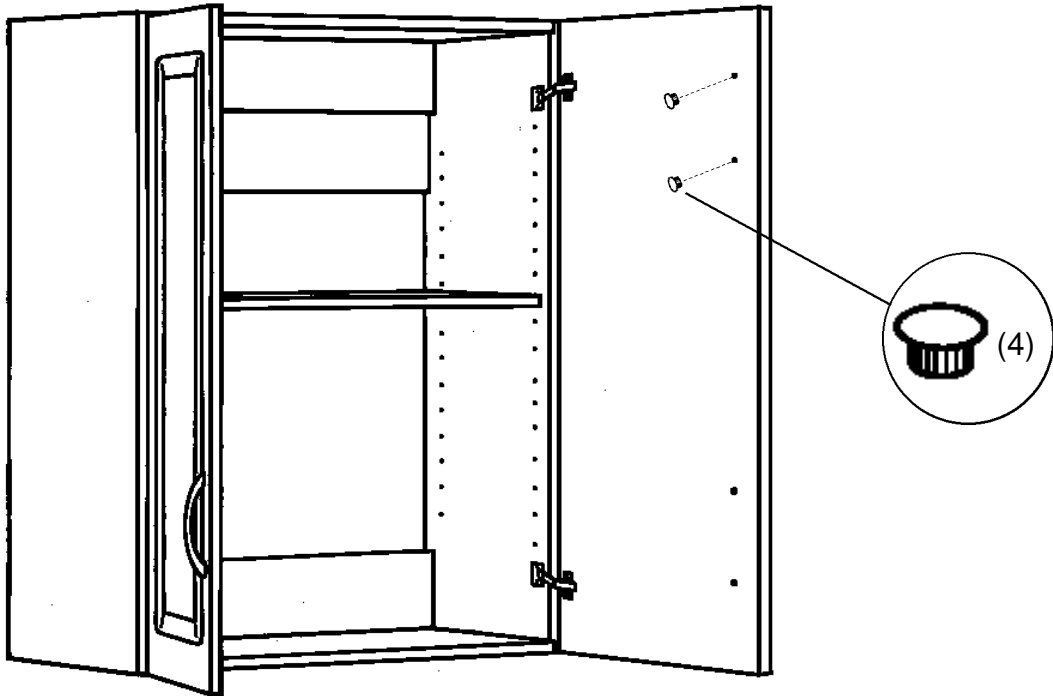
# 8



## DOOR ADJUSTMENT / AJUSTES DE LA PUERTA / REGLAGE DES PORTES



9



## Free Manuals Download Website

<http://myh66.com>

<http://usermanuals.us>

<http://www.somanuals.com>

<http://www.4manuals.cc>

<http://www.manual-lib.com>

<http://www.404manual.com>

<http://www.luxmanual.com>

<http://aubethermostatmanual.com>

Golf course search by state

<http://golfingnear.com>

Email search by domain

<http://emailbydomain.com>

Auto manuals search

<http://auto.somanuals.com>

TV manuals search

<http://tv.somanuals.com>