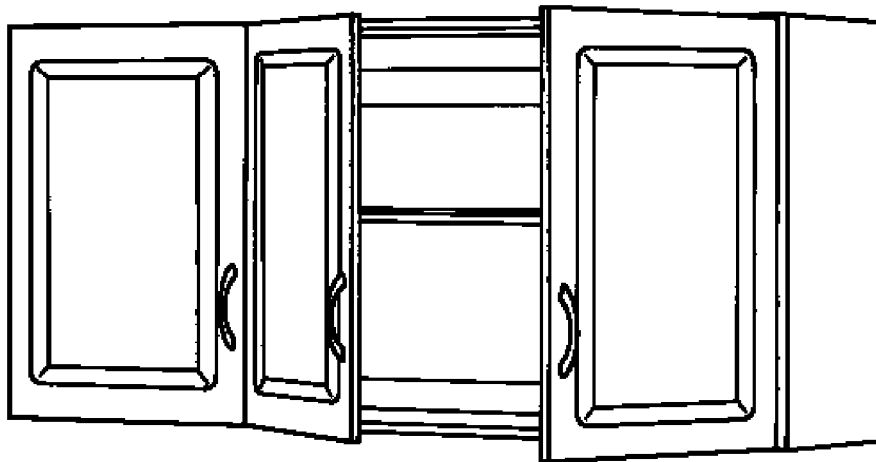




**ASSEMBLY INSTRUCTIONS
INSTRUCCIONES PARA ENSAMBLAR
DIRECTIVES D'ASSEMBLAGE**

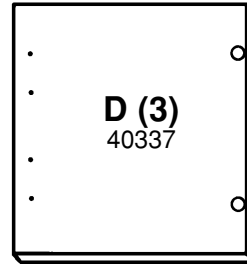
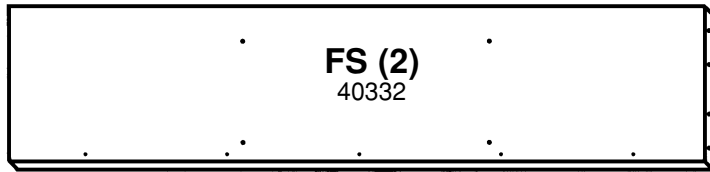
"It's Do+Able"



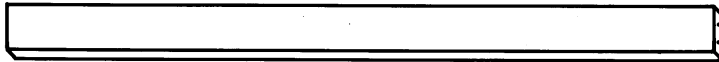
**WALL CABINET
Model #12347**

**5150 EDISON AVENUE • CHINO, CALIFORNIA 91710-5717
CUSTOMER SERVICE: (800) 829-3648
7 am to 5 pm M-F Pacific Time**

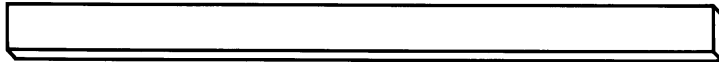
PARTS LIST / LISTA DE PIEZAS / LISTE DE PIECES



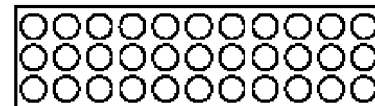
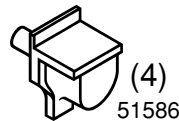
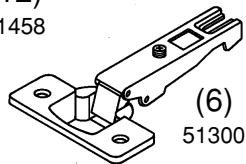
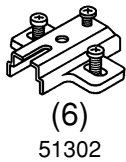
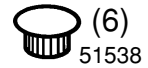
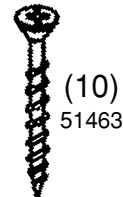
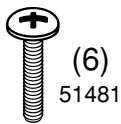
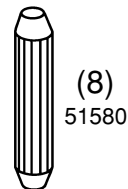
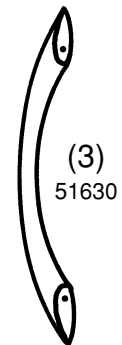
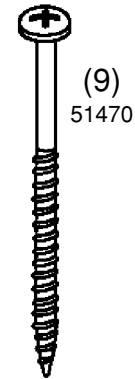
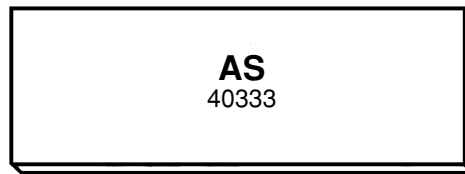
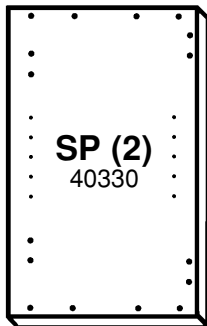
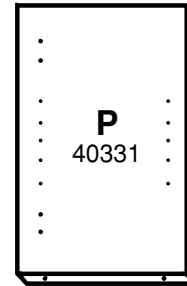
CLEAT (A)
40371



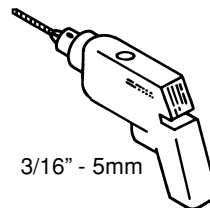
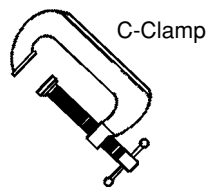
CLEAT (B)
40372

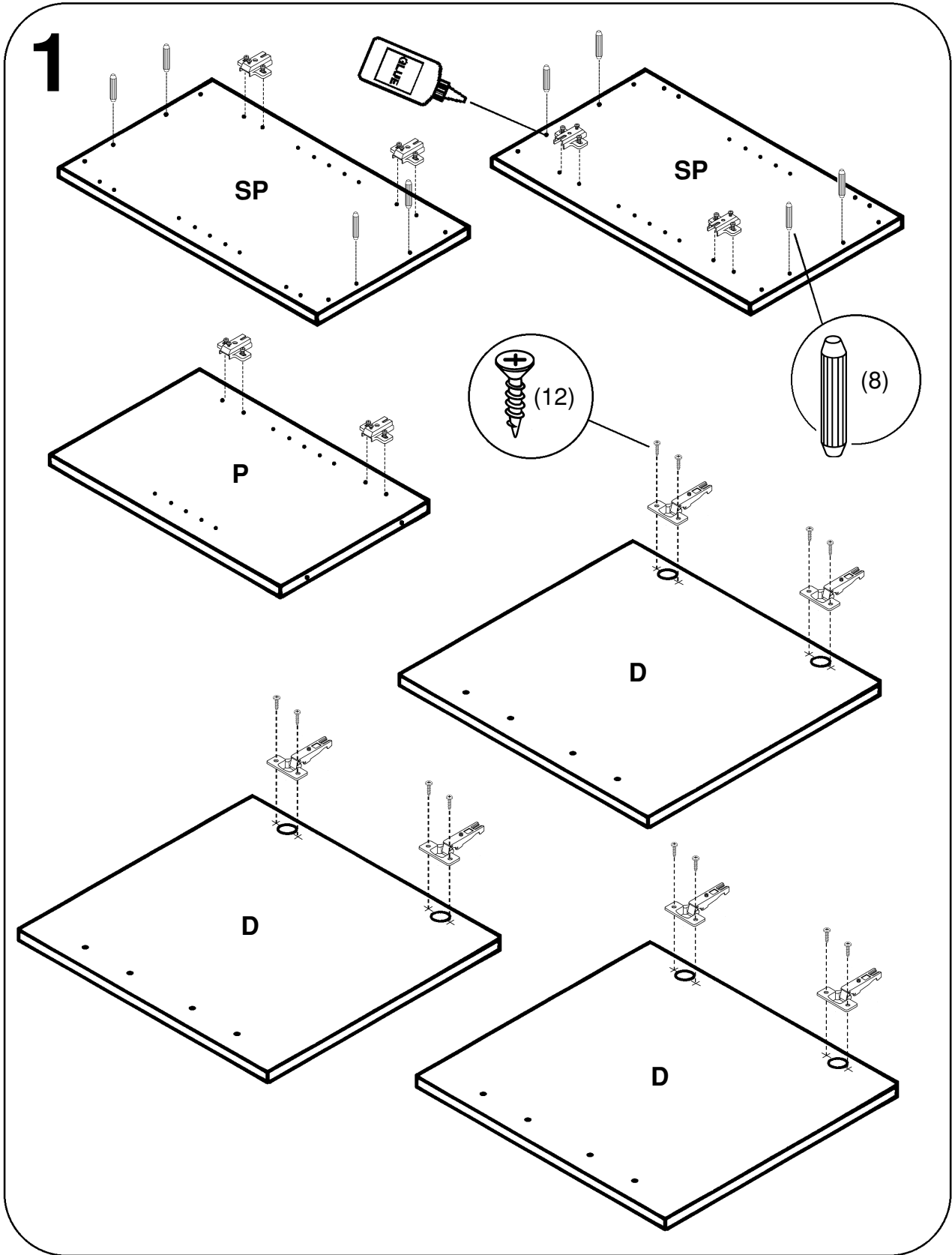


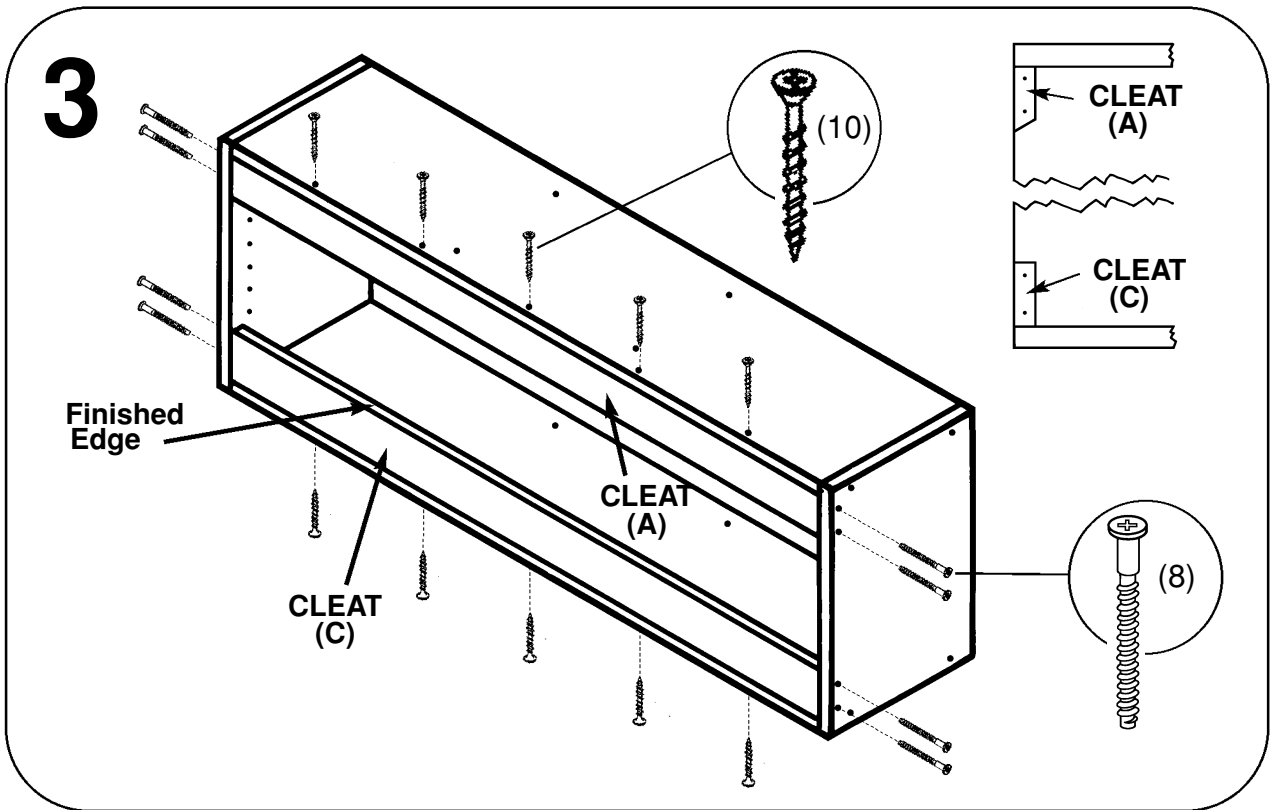
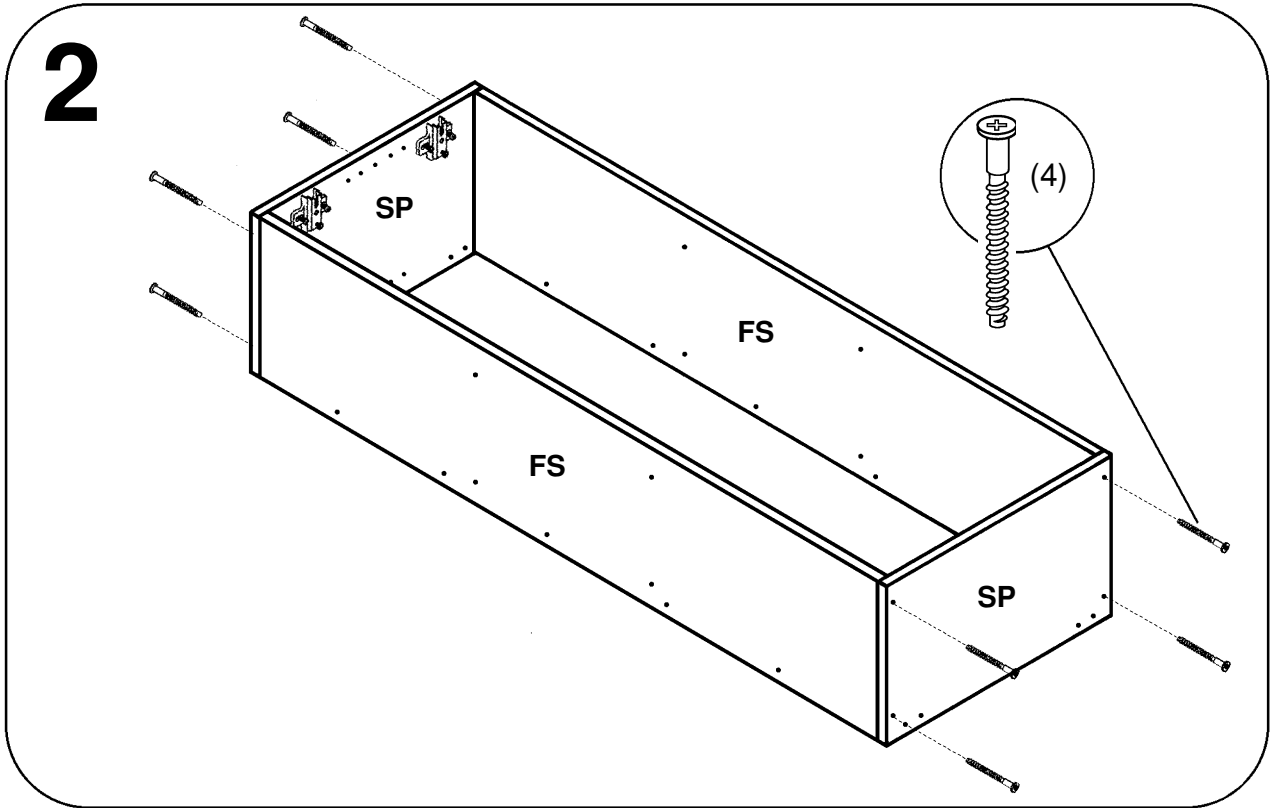
CLEAT (C)
40335



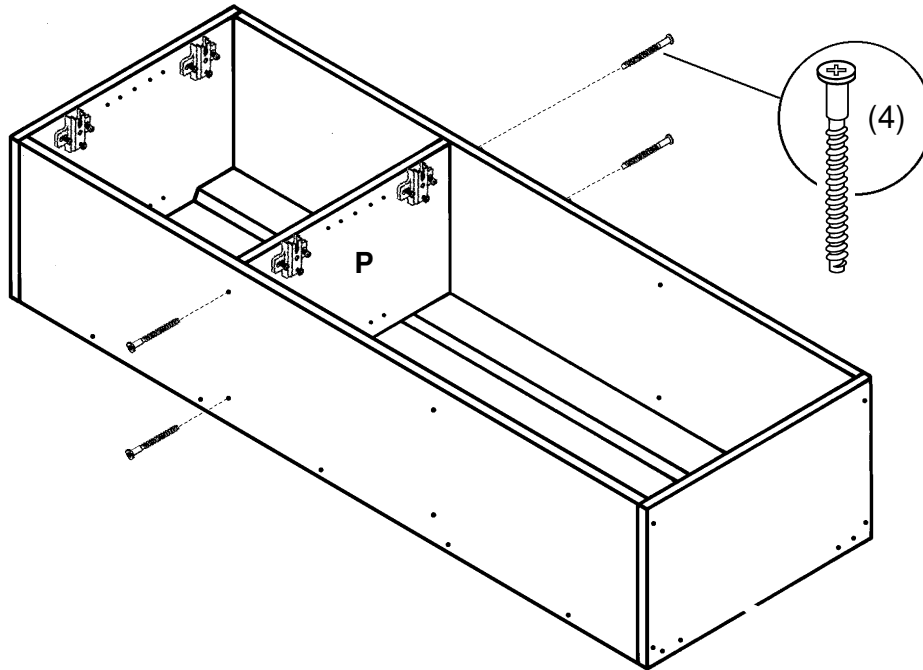
TOOLS / HERRAMIENTAS / OUTILS



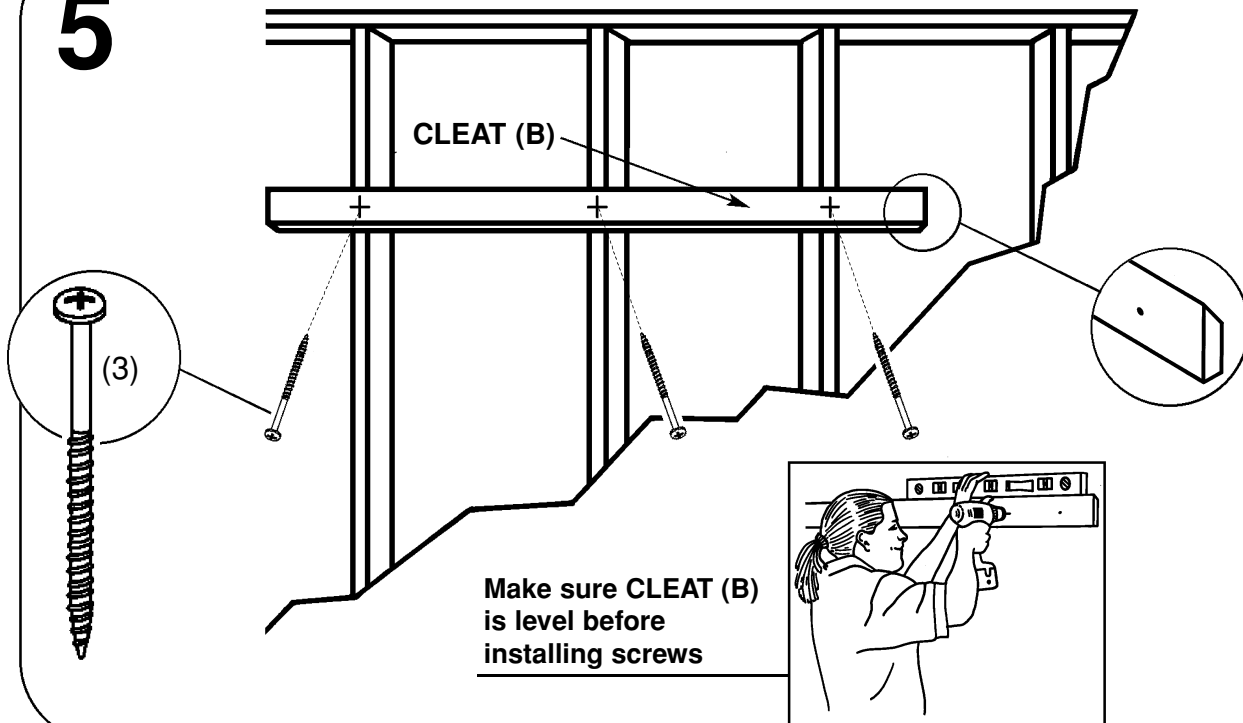




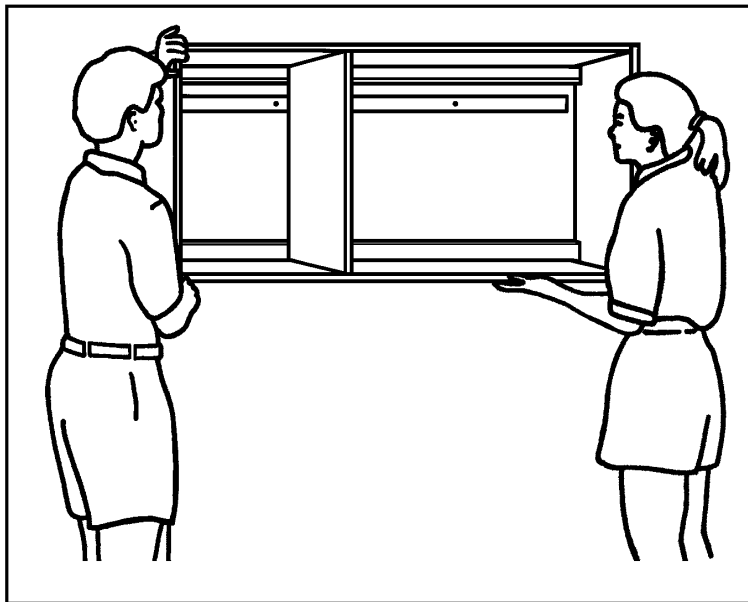
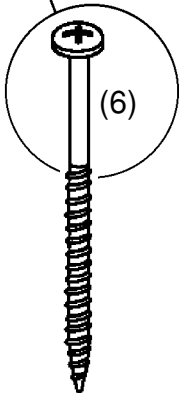
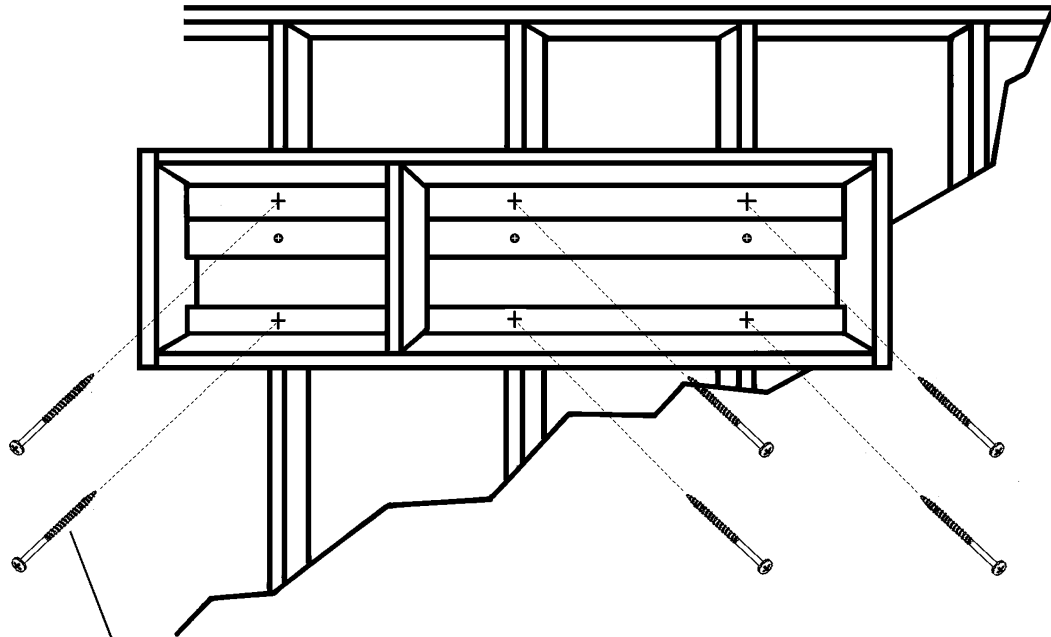
4



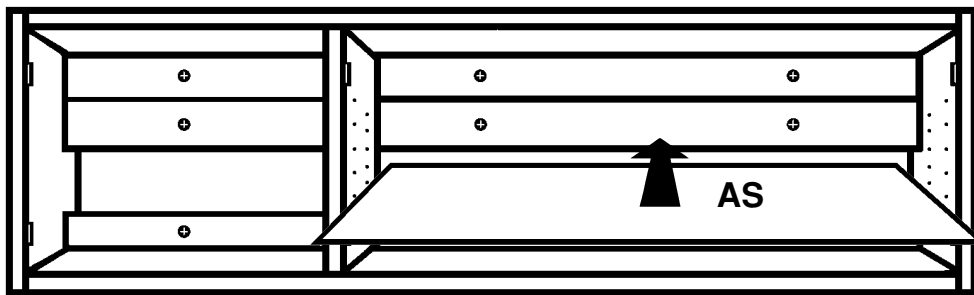
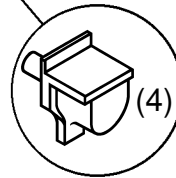
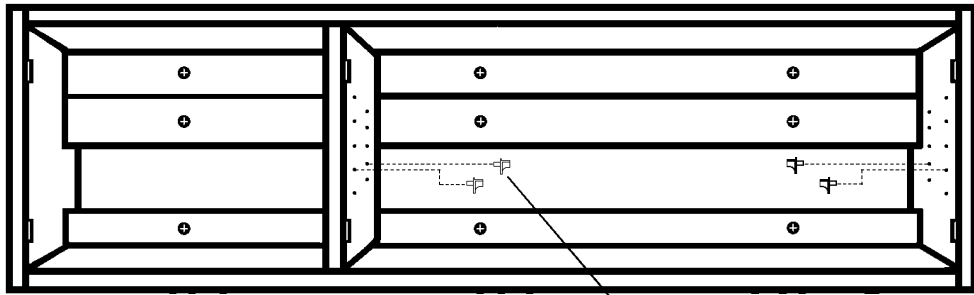
5



6

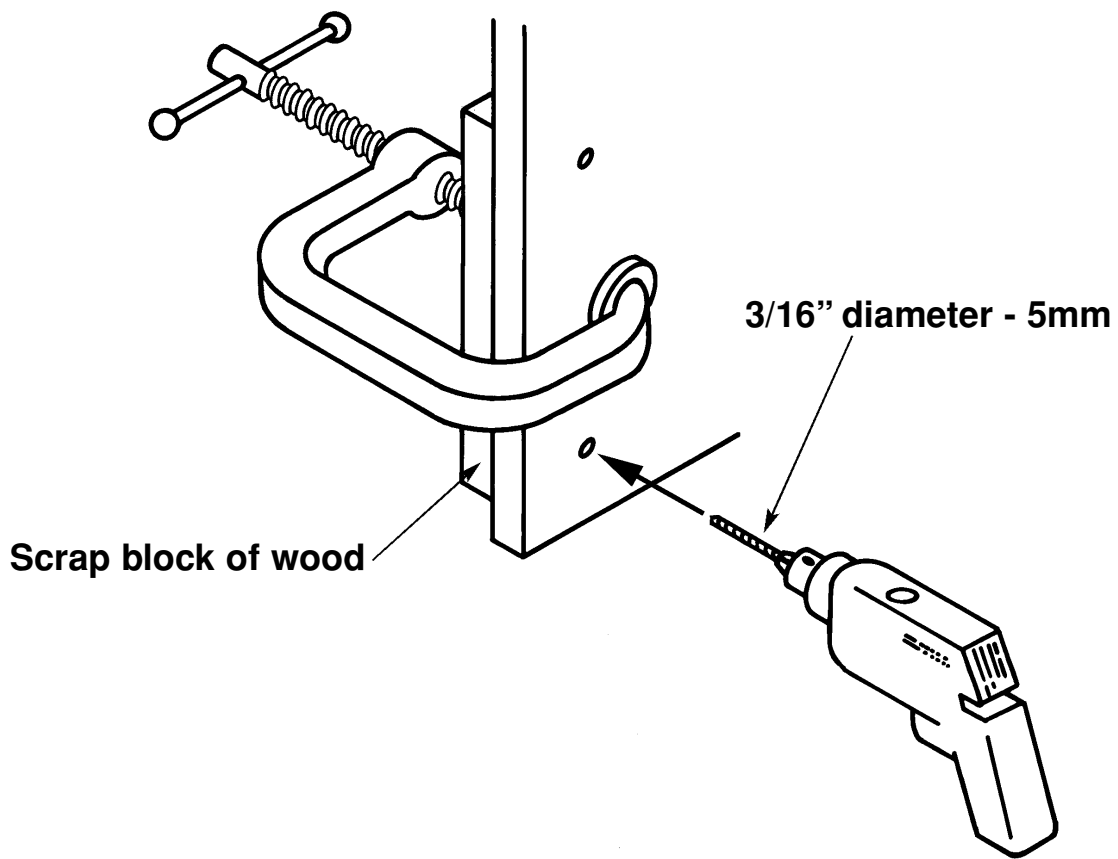


7

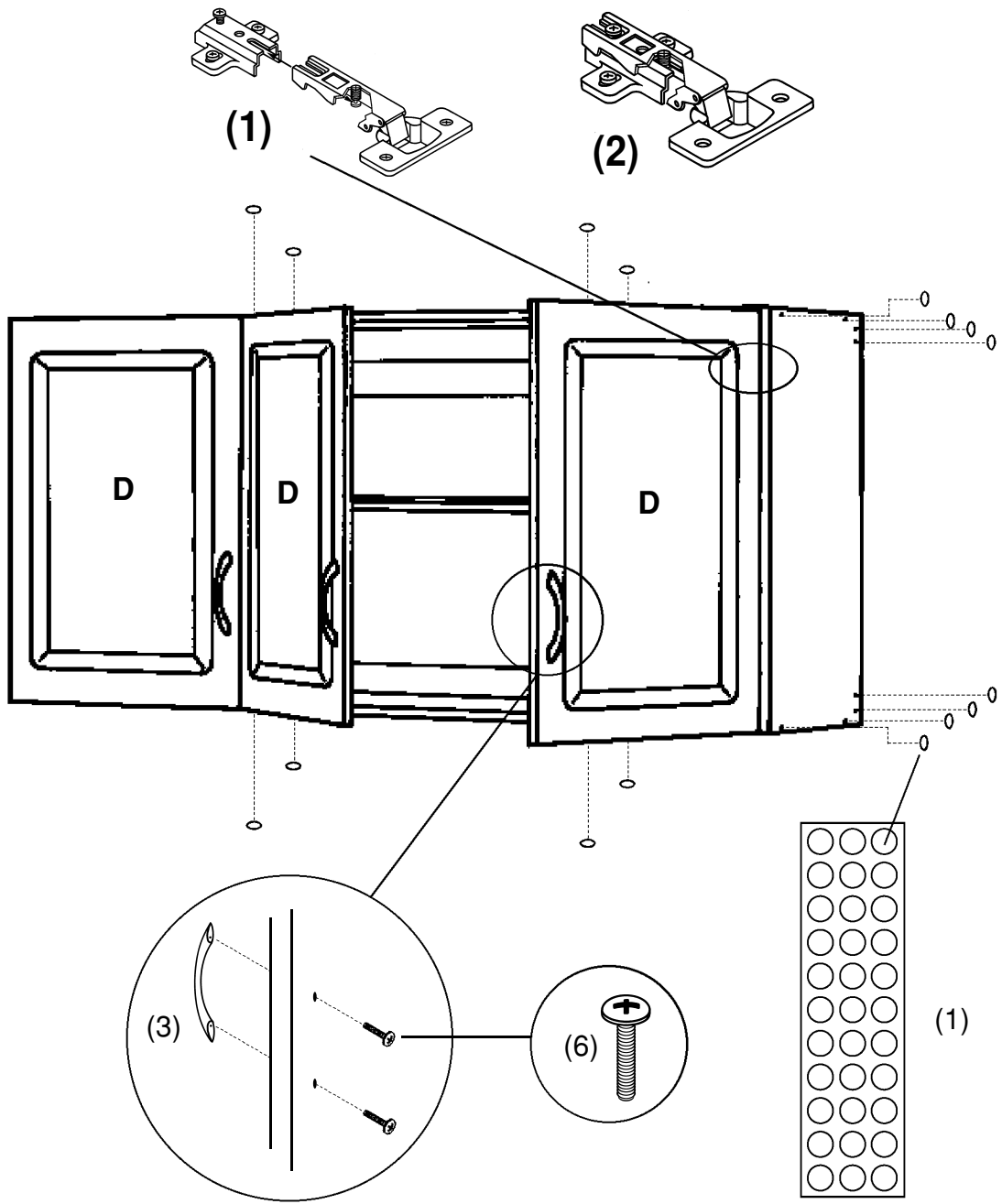


8

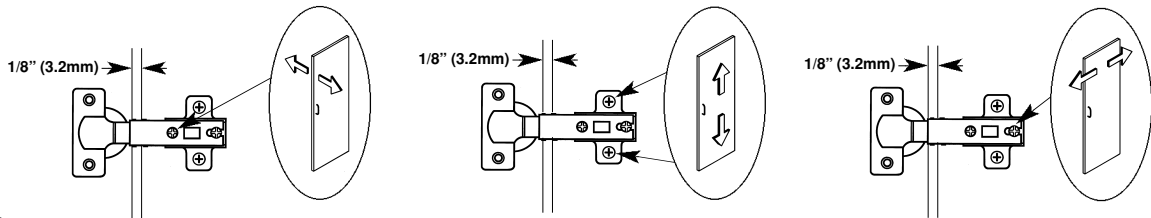
NOTE: Please Do Not drill doors until handle positions are decided.



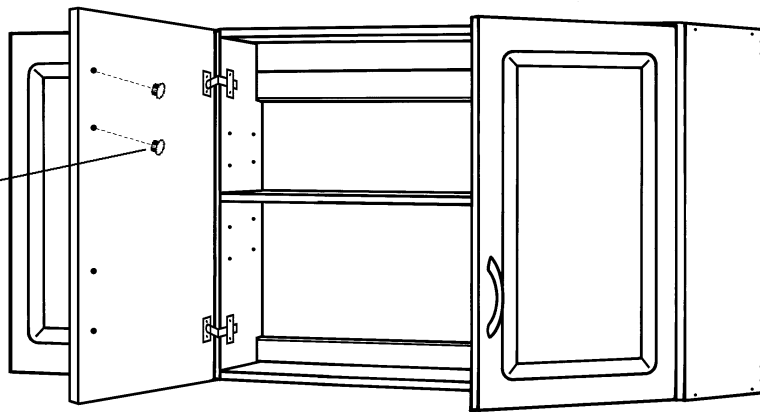
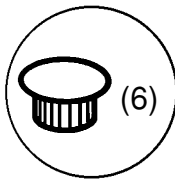
9



DOOR ADJUSTMENT / AJUSTES DE LA PUERTA / REGLAGE DES PORTES



10



Free Manuals Download Website

<http://myh66.com>

<http://usermanuals.us>

<http://www.somanuals.com>

<http://www.4manuals.cc>

<http://www.manual-lib.com>

<http://www.404manual.com>

<http://www.luxmanual.com>

<http://aubethermostatmanual.com>

Golf course search by state

<http://golfingnear.com>

Email search by domain

<http://emailbydomain.com>

Auto manuals search

<http://auto.somanuals.com>

TV manuals search

<http://tv.somanuals.com>