

DR[®] 4 -TON, ELECTRIC WOOD SPLITTER

Safety & Operating Instructions



Please read instructions before operating machine

THANK YOU!

And congratulations on your purchase of a new DR 4 -Ton WOOD SPLITTER!

We have done our utmost to ensure that your DR 4 -Ton WOOD SPLITTER will be one of the most trouble-free and satisfying pieces of equipment you have ever owned. Please let us know of any questions you may have. We want to answer them as quickly as possible. When you do call, please have your order number handy. For technical assistance, please call Toll-Free 1-800-DR-OWNER(376-9637) and one of our Technical Support Representatives will be happy to help you. We also hope to hear from you on how much you like your new helper.

And, please tell your friends about your new DR 4 -Ton WOOD SPLITTER! Having DR Owners spread the word about our products and our way of doing business is the best advertising we can have, and the best way to help us provide even better service in the years to come.

Thanks once again!



SALES MANAGER

for all of us at
Country Home Products, Inc.®

COPYRIGHT

©2005 Country Home Products, Inc. All rights reserved.



Country Home Products, Inc.
Meigs Road
P.O. Box 25
Vergennes, VT 05491

Toll-free phone: 1-800-DR-OWNER (376-9637)

Fax: 1-802-877-1213

Web site: www.dr-owner.com

Table of Contents

Chapter 1: Introducing the DR 4 -Ton WOOD SPLITTER.....	1
Conventions used in this manual.....	1
Chapter 2: Safety Considerations.....	3
Preparing to Use the DR 4 -Ton WOOD SPLITTER	3
Safety Information Labels.....	3
Protecting Yourself	5
Operating the Machine Safely	5
Safety with Electric Powered Machines.....	7
Hydraulic Safety	8
Additional Information and Potential Changes.....	8
Chapter 3: Setting Up Your DR 4 -Ton WOOD SPLITTER.....	9
DR 4 -Ton WOOD SPLITTER Controls and Features.....	9
Unpacking the DR 4 -Ton WOOD SPLITTER	10
Chapter 4: Operating Your DR 4 -Ton WOOD SPLITTER.....	11
Before Starting the Electric Motor.....	11
Splitting Safety	13
Operating the DR 4 -Ton WOOD SPLITTER.....	14
How to Free a Jammed Log from the Wedge.....	15
Chapter 5: Maintaining the DR 4 -Ton WOOD SPLITTER	17
Regular Maintenance Checklist before each use:	17
Before each season:	17
Adjusting the Hydraulic Fluid Level	18
Sharpening the Wedge.....	18
Electrical Connections	19
End of Season & Storage.....	19
Chapter 6: Troubleshooting	21
Troubleshooting Table.....	21
Chapter 7: Parts Lists and Schematic Diagrams.....	23
DR 4 -Ton Electric Wood Splitter - Parts List.....	23
DR 4 -Ton Electric Wood Splitter - Schematic.....	25
Warranty.....	27

Chapter 1: Introducing the DR 4 -Ton WOOD SPLITTER

This manual will help you set up and safely operate your new DR 4 -Ton WOOD SPLITTER. Careful adherence to the safety and operating instructions in this manual will ensure many years of productive use.

Please let us know of any questions you may have. We want to answer them as quickly as possible. When you do call, please have your order number handy. For technical assistance, please call Toll-Free 1-800-DR-OWNER(376-9637) and one of our Technical Support Representatives will be happy to help you.

Conventions used in this manual



WARNING! The exclamation point within a triangle alerts you to essential operating, safety, maintenance and servicing instructions.

Important! This information is important in the proper use of your machine. Failure to follow this instruction could result in injury to you and others or damage to your wood splitter.

Tip: This is a helpful hint to guide you in getting the most out of your DR 4 -Ton WOOD SPLITTER.

Tools Needed: This indicates you will need a special tool to perform a maintenance function on your machine.

Note: This information may be helpful to you.

If you are ever unsure about an action you are about to take, don't do it. Contact Country Home Products' toll-free support at 1-800-DR-OWNER (376-9637) for help or information.

Chapter 2: Safety Considerations

Taking the time to read and observe all safety instructions will ensure many years of productive use from your DR 4 -Ton WOOD SPLITTER and help you avoid injury. Please take a few moments to read the following guidelines for safely operating your new machine.

Preparing to Use the DR 4 -Ton WOOD SPLITTER

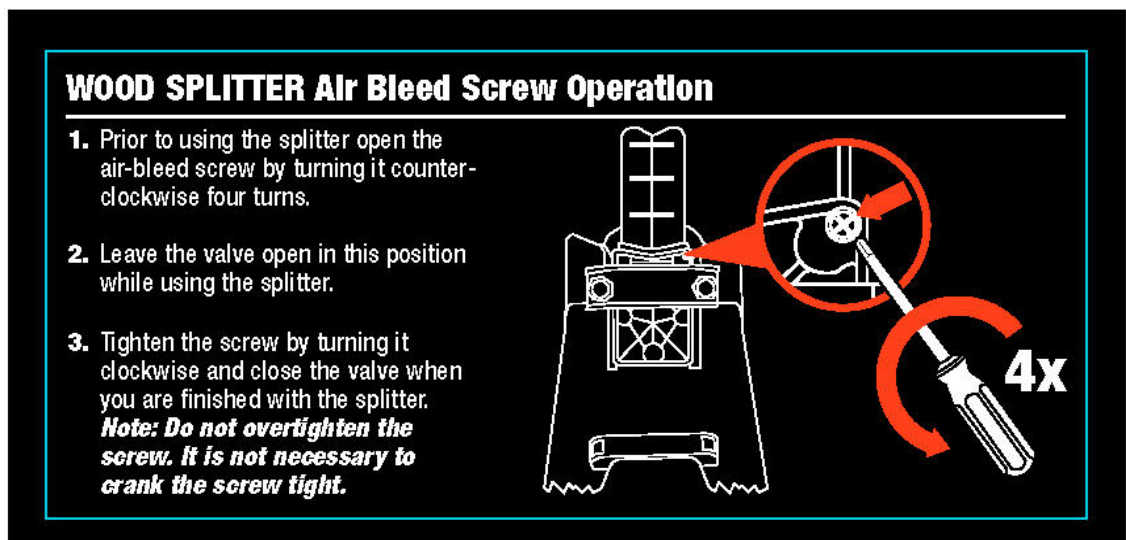
- Read these *Safety & Operating Instructions* before you use the DR 4 -Ton WOOD SPLITTER. Become familiar with the controls and service recommendations to ensure the best performance from your machine.

Safety Information Labels

Take some time to become familiar with the following standard safety cautions applicable to your wood splitter. Replace damaged or missing safety labels immediately.



#206871



#206661

Protecting Yourself

- Always wear protective goggles or a face shield while splitting wood to protect your eyes and face from possible thrown bits of wood.
- Do not, under any conditions, remove, bend, cut, fit, weld, or otherwise alter standard parts on the DR 4 -Ton WOOD SPLITTER. Modifications to your machine could cause personal injuries and will void your warranty.
- Wear shoes with non-slip treads when using your DR 4 -Ton WOOD SPLITTER. If you have safety shoes, we recommend wearing them. Do not use the machine while barefoot or wearing open sandals.
- Wear long pants while splitting wood.
- Avoid wearing loose clothing or jewelry, which might be caught on the wood splitter's moving parts.
- We recommend wearing snug-fitting work gloves while splitting wood.
- Always keep safety guards in place and in working order.
- Always check the alignment of moving parts and for damaged or worn parts.

Operating the Machine Safely



WARNING! The items listed in this section will help you keep your DR 4 -Ton WOOD SPLITTER running smoothly and, most importantly, prevent injury to yourself or others. Please review them carefully before starting your machine.

- To be safe, do not operate the machine near children or pets, and never allow children to operate the wood splitter.
- Keep your hands and feet clear of the splitting area while the ram is in motion.
- ALWAYS unplug the wood splitter from the power source before adjusting or servicing the machine. If you have to stop to remove any debris from the machine, ALWAYS retract the ram and unplug the machine.
- Do not operate the wood splitter in an area of natural gas or flammable liquids.
- Use the machine only in daylight or good artificial light.
- Do not use in wet or slippery conditions.
- ALWAYS OPERATE THE WOOD SPLITTER FROM THE OPERATOR ZONE (*Figure 7*, page 13). Never stand on, straddle or climb over the wood splitter at any time.
- Use only your hands to operate the wood splitter controls.
- Do not place your hands at pinch points where they can get caught between a log and the wedge, log guiding plates or the ram.

- Do not put any part of yourself, your clothing, or your personal protective equipment into a crack in a log that is being split; it might close suddenly with great force.
- Never split anything other than logs free of nails, wires and branches. Maximum log length is 20" with a maximum diameter of 10" for the DR 4 -Ton WOOD SPLITTER.

Note: The log diameter does not necessarily indicate the difficulty of the split. A small diameter log can be difficult to split if it has knots or its fiber is very tough, whereas a larger log can be split easily if its fiber is smooth and loose.

- Always cut the ends of the log to be split as squarely as possible.
- Never split more than one log at a time unless the ram has been fully extended and a second log is needed to complete the split of the first log.
- Do not handle logs by their ends when you position them on the wood splitter.
- Do not put anything between the log guiding plates and the side of a log; logs spread as they are forced against the wedge.



- NEVER operate the ram in a stalled position for more than 5 seconds. The hydraulic fluid may overheat and damage the machine. If the wood being split is excessively hard, stop the machine, rotate the log 90° and try again. If the log still cannot be split, reject the log as it exceeds the capacity of the machine.
- Do not move or reposition the wood splitter with its motor running.
- Don't hurry or take things for granted while using the wood splitter.
- Never team up with another person to operate the wood splitter controls – this is a one person job.
- Never allow people who are unfamiliar with these instructions to use the wood splitter.
- Never leave the wood splitter unattended. If you leave the area, unplug the power source.
- Do not operate the machine when under the influence of alcohol or medication.
- Always make certain nuts and bolts are tight to assure a safe working condition.
- ALWAYS check the power cable for damage prior to every use and that it is fully protected from damage from the equipment or materials while operating the machine.
- Clean up as you work; accumulated split wood and wood chips can create a hazardous work environment.

Note: No list of warnings and cautions can be all-inclusive. The operator must apply common sense and operate this wood splitter in a safe manner.

Safety with Electric Powered Machines



WARNING! The items listed in this section will help you keep your DR 4 -Ton WOOD SPLITTER running smoothly and, most importantly, prevent injury to yourself or others. Please review them carefully before using your machine.

- Never open the switch box or motor cover. DO NOT attempt any electrical repairs yourself. If in doubt, consult a qualified electrician or contact Country Home Products' toll-free support at 1-800-DR-OWNER (376-9637) for help or information.
- Never operate the wood splitter if there is an electrical hazard present.
- Never operate the wood splitter in wet conditions.
- Never operate the wood splitter with a damaged electrical cord or damaged extension cord.
- Never pull on the power cord to move the machine.
- Always grasp the power cord plug when unplugging the cord from the outlet; DO NOT pull the plug out by the cord.
- Never operate the wood splitter unless the power cord is plugged into a properly grounded outlet, which supplies 110-120V power, and is protected by a 15-amp circuit breaker.
- If an extension cord is to be used, it is recommended that the connection between the power cord and the extension cord be kept well away from any water.
- Never use an extension cord longer than 33 feet or smaller than 12 AWG in diameter because the cord will produce a voltage drop that will prevent the motor from supplying full power and may cause damage to the motor.
- Always keep the power cord and/or extension cord away from excessive heat, oil and sharp objects.

Tip: See page 21 for Troubleshooting Tips.

Hydraulic Safety



WARNING! The items listed in this section will help you keep your DR 4 - Ton WOOD SPLITTER running smoothly and, most importantly, prevent injury to yourself or others. Please review them carefully before operating your machine.



WARNING! Escaping pressurized fluid from hydraulic system leaks can have enough force to penetrate skin and cause serious injury or death. Hydraulic fluid can remain pressurized while the motor is off due to the return spring force on the ram.

- Never use your hand or any part of your body to check for hydraulic system leaks while the system is pressurized.
- Get professional medical help at once if hydraulic oil penetrates anyone's skin.
- Always release residual energy from pressurized hydraulic fluid and allow the fluid to cool before doing any maintenance or repair work on the wood splitter.

- Periodically check for hydraulic fluid leaks by placing a sheet of cardboard under the wood splitter while the system is running.
- The wood splitter must be on a level surface.
- Please follow these steps to depressurize the system and release residual hydraulic energy before starting any repairs.
 1. Unplug the wood splitter from the power source.
 2. Move the Operating Handle down and up from one limit of travel to the other at least four times and holding the Handle for three seconds at each limit of travel. The ram should not move during the 4th cycle and should be fully retracted.
 3. Call **1(800) DR-OWNER (376-9637)**, or a qualified hydraulic mechanic, for assistance to replace worn components.
- Do not make any adjustments to the hydraulic system.
- Never remove the fill/dipstick cap from the hydraulic fluid port while the motor is running or while the tank is still warm after the motor is shut off. Hot pressurized fluid can cause serious injury, so wait for the hydraulic tank to cool before removing cap.

Tip: See page 21 for Troubleshooting Tips.

Additional Information and Potential Changes

Country Home Products, Inc. reserves the right to discontinue, change, and improve its products at any time without notice or obligation to the purchaser. The descriptions and specifications contained in this manual were in effect at printing. Equipment described within this manual may be optional. Some illustrations may not be applicable to your machine.

Chapter 3: Setting Up Your DR 4-Ton WOOD SPLITTER

This chapter outlines a few simple steps you will need to follow to set up your new machine before you use it. It may be helpful to familiarize yourself with the controls and features on your wood splitter by reviewing the picture below before beginning the steps outlined in this chapter.

DR 4-Ton WOOD SPLITTER Controls and Features

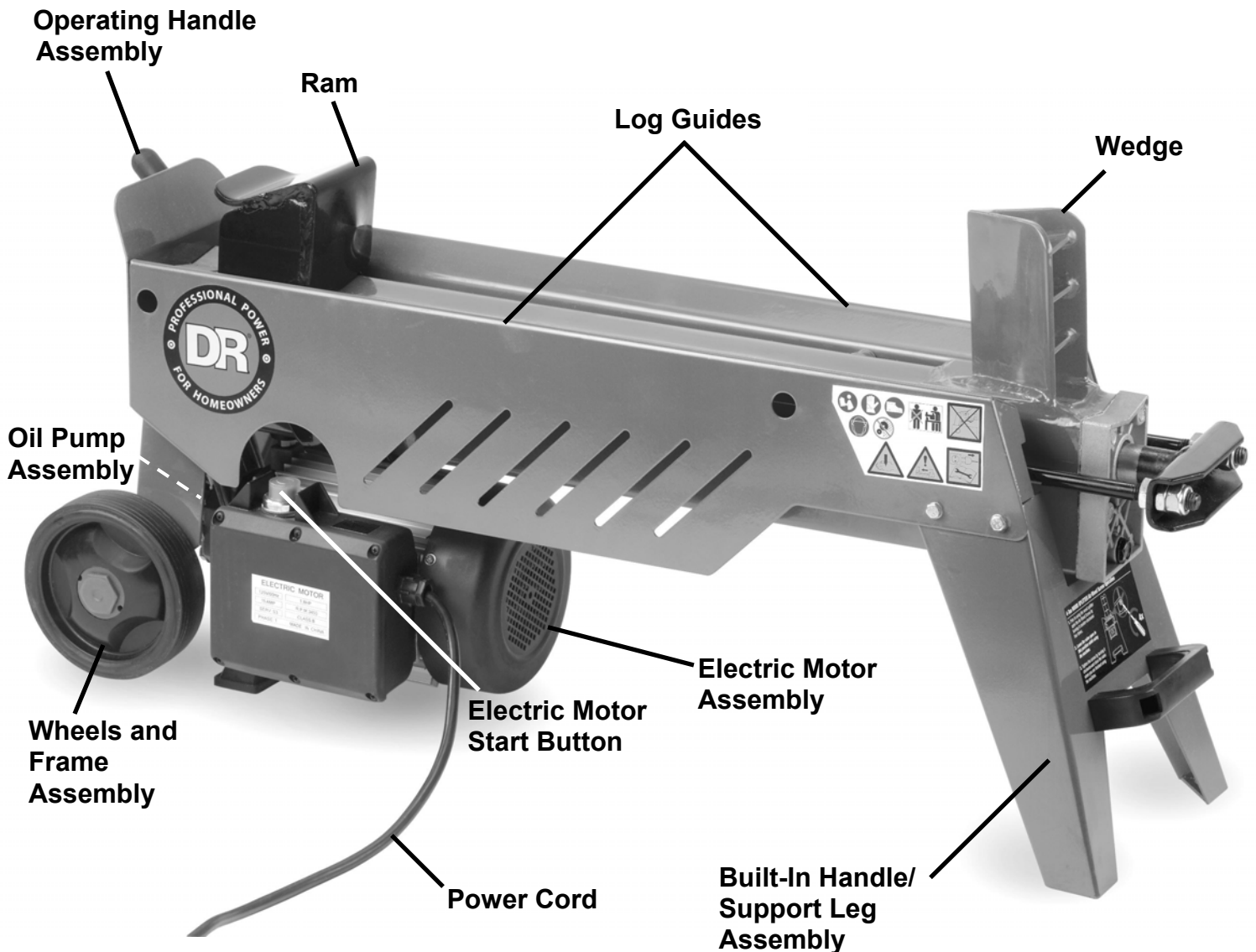


Figure 1

Unpacking the DR 4 -Ton WOOD SPLITTER

Tools & Parts Supplied for Assembly:

- Wheel Frame Assembly
- (2) Acorn nuts (located on the machine, remove before installing the Wheel Frame Assembly)
- 13mm/16mm wrench
- Operating Handle w/knob
- 10mm/12mm wrench
- Metal Shears (Side Cutters)
- Eye Protection
- Extra hydraulic seal

WARNING! Wear eye protection when cutting the banding. The banding is under high tension and may snap and strike you when cut. Stand to one side when cutting the banding.

1. Cut the banding around the shipping box and open the box.
2. With the help of another person (the machine weighs 105 pounds), carefully remove your new DR 4 -Ton WOOD SPLITTER from the shipping box and rest the machine on the front support legs and the rear center rest.
3. If you have banding around your motor and frame as shown in *Figure 2*, cut the banding. **Be careful when cutting the banding.**

4. Remove the wooden packing wedge between the motor and the housing.

Note: Look under the machine, the wedge may be difficult to see.

5. Remove any remaining packing materials from the wood splitter. Do not discard your packaging material until you are fully satisfied with your new DR 4 -Ton WOOD SPLITTER.
6. Attach the Wheel Frame Assembly to the main frame using the two Acorn nuts and the 16mm wrench (*Figure 2*).
7. Screw the Operating Handle clockwise onto the shaft protruding from the Support Plate and tighten it securely using the 10mm wrench (*Figure 3*).

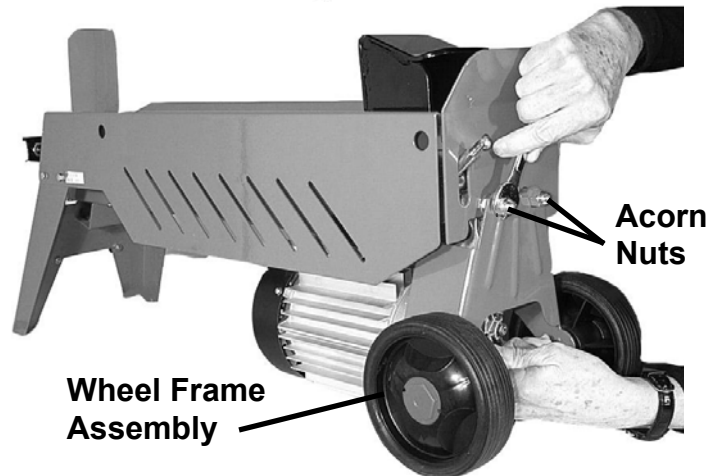
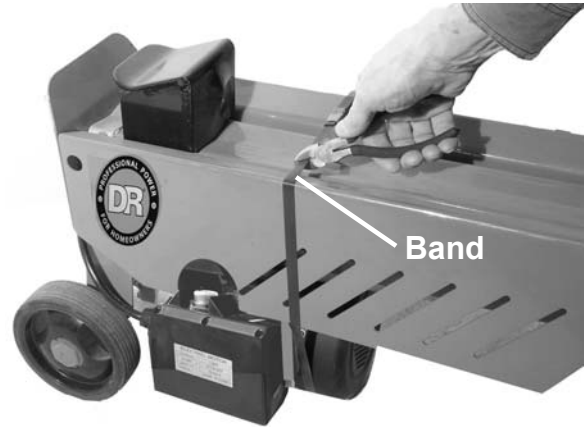


Figure 2

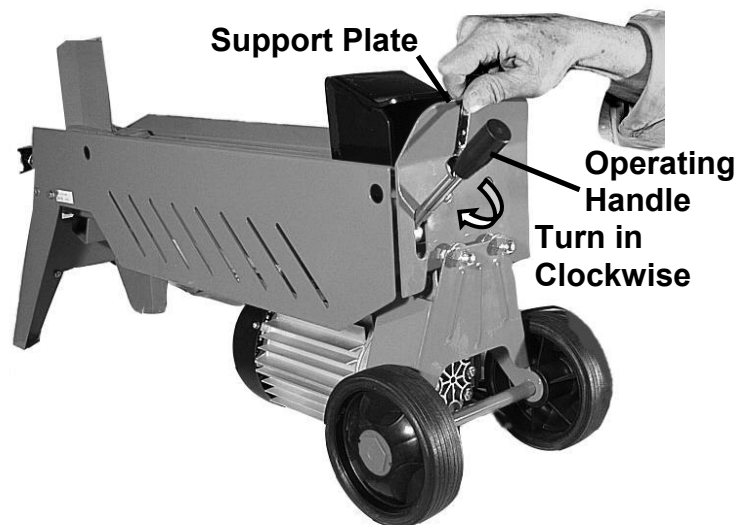


Figure 3

Chapter 4: Operating Your DR 4 -Ton WOOD SPLITTER

This chapter covers the procedures for operating your new DR 4 -Ton WOOD SPLITTER and also discusses basic operation features.

Before Starting the Electric Motor

Tools Needed:

- Adjustable Wrench
 - Small Phillips Screwdriver
1. Inspect the area in which you will be working.
 - Place the wood splitter only on a firm, level, supported surface 2 to 3 feet above the ground.
 - NEVER operate the wood splitter on the ground as there is risk of injury from flying chips and would not be comfortable for the operator while in use. If necessary, block the wood splitter wheels to prevent them from rolling.
 - The site must be free of slippery surfaces and potentially hazardous obstacles. Also make sure there won't be people or animals within a six-foot radius around the wood splitter.
 2. Plan your work before you start.
 - Have the logs to be split positioned where they can be easily reached. Remember, the maximum log length is 20" and the maximum diameter is 10" for the DR 4-Ton WOOD SPLITTER.
 - Split only dry, seasoned logs as they will split more easily than green logs. Green logs may stick on the wedge and jam the wood splitter.
 - Have a site located where the split wood can be stacked or loaded onto a truck or nearby carrier.

Important! It is important to adjust the Air Bleed Screw each time you use the machine. You will need a standard Phillips screwdriver to make this adjustment (*Figure 4*).

Important! Use care, do not over tighten and strip the Air Bleed Screw threads.

3. Prior to using the wood splitter, open the Air Bleed Screw by turning it counter-clockwise four (4) times. **Leave the Air Bleed Screw open in this position while using the machine.** When you are finished using the machine, tighten the Air Bleed Screw by turning it clockwise. Do not over tighten and strip the Air Bleed Screw.

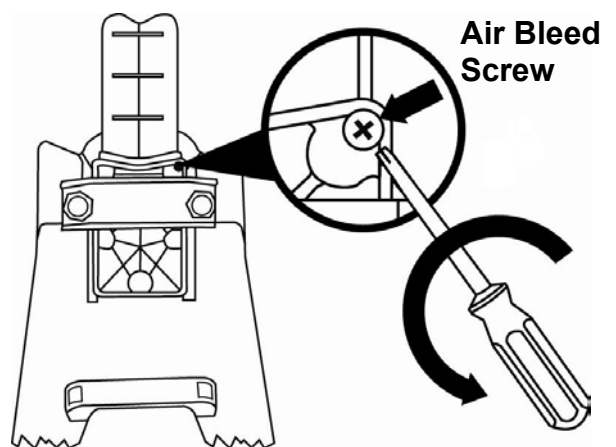


Figure 4

4. Connect the main lead from the wood splitter to a standard electrical, 110-120VAC, grounded power source fused at 15 AMPS. If using an extension cord, it must be 12AWG and less than 33 feet long with a rating of 15 AMPS. Route the cord from the wood splitter to the power source in such a way that safeguards against the cord becoming damaged during the wood splitting session. Be sure to avoid wet conditions.
5. Cycle the ram several times. After cycling, if the ram does not travel to within 6" of the wedge, check the hydraulic fluid level by tipping the wood splitter up on the wheels and motor.
6. Clean the area around the Hydraulic Fluid Fill/Drain Port (*Figure 5*) and then, using the adjustable wrench, unscrew the Dipstick located in the Hydraulic Fluid Fill/Drain Port.
7. Clean the Dipstick and check the level (do not screw the Dipstick down when checking); it should be between the two marks on the Dipstick. If the fluid is too high, simply pour out a little at a time into a suitable container by tilting the wood splitter. If the fluid is too low, add an AW32 hydraulic fluid, a little at a time until the level falls between the two marks on the dipstick.
8. Clean the Dipstick and the O-ring seal thoroughly and reinstall being careful not to damage the threads of the aluminum Hydraulic Fluid Cylinder End Cover.

Tip: In cold weather, cycle the ram several times to warm-up the hydraulic fluid. This will provide full power from your DR 4 -Ton WOOD SPLITTER.

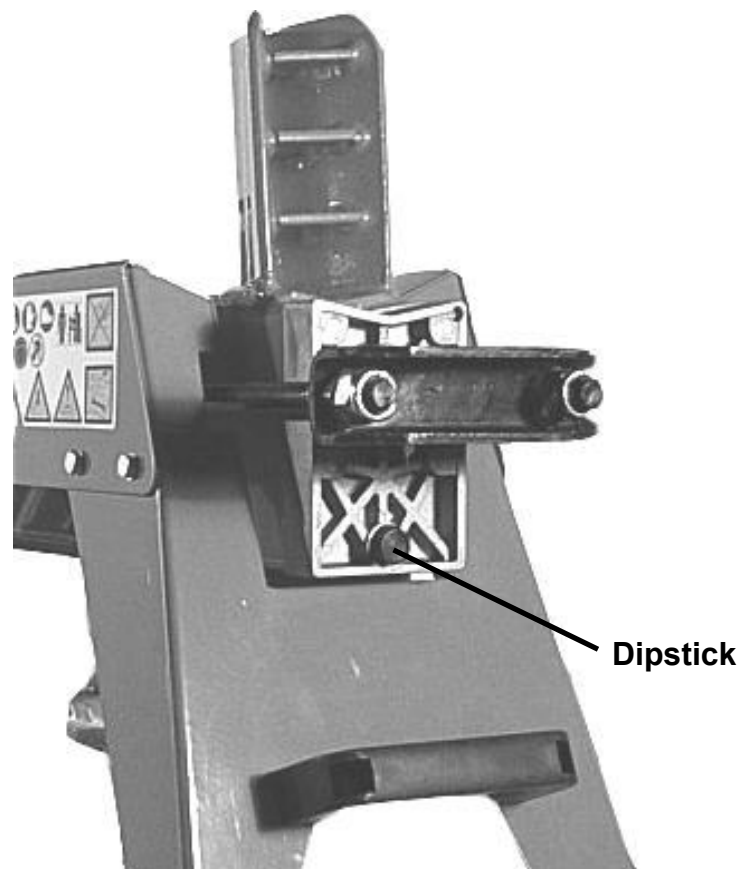


Figure 5

Splitting Safety

The DR 4 -Ton WOOD SPLITTER has a ram with 4 tons of force.

Note: Always be sure to stand inside the **Operator Zone** to run the wood splitter (*Figure 6*). This is the area directly behind your DR 4 -Ton WOOD SPLITTER. Never operate the wood splitter from anyplace else.

- Handle logs only from the sides, never by the ends.
- For best splitting results, place log flat on the beam between the Log Guides (*Figure 6*) with butt end toward hydraulic cylinder ram.
- Never attempt to split a log at an angle and be sure the wedge and ram will contact the log squarely on the ends.
- Be very careful to keep arms and fingers away from the wedge and ram.
- Keep hands and fingers clear at **all** times. Many wood splitting accidents happen on the return portion of the stroke.
- Do not put any part of your body within the splitting area. Use a stick if you need to remove debris from the splitting area (*Figure 7*).

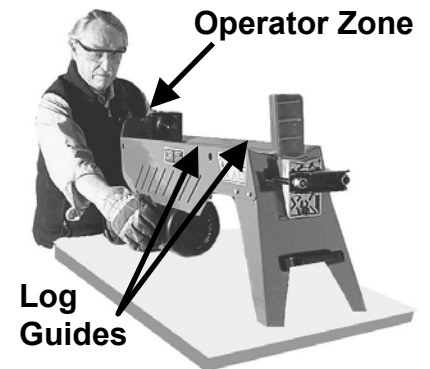


Figure 6

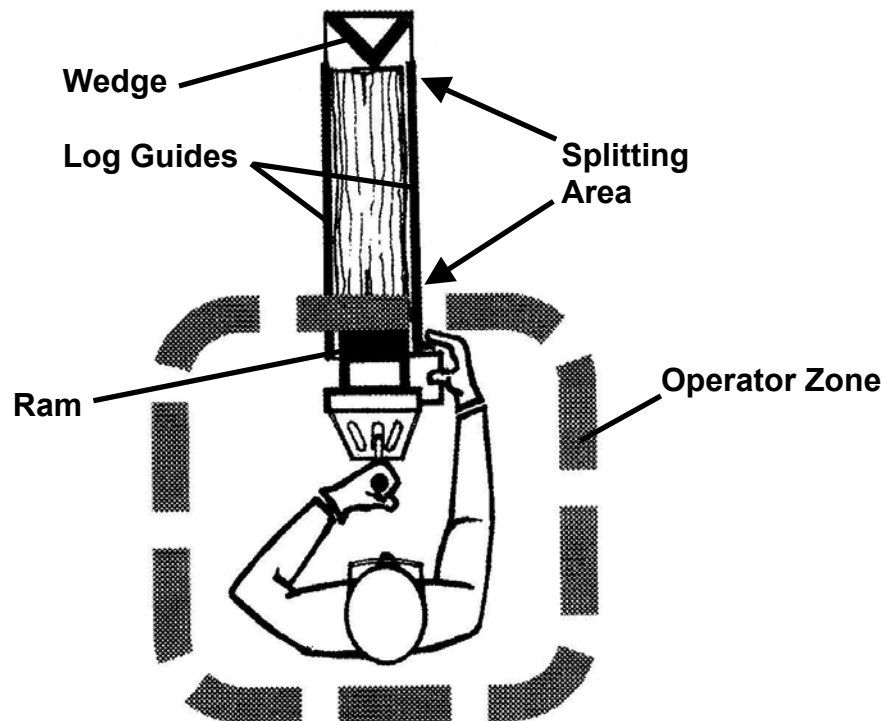


Figure 7

Operating the DR 4 -Ton WOOD SPLITTER

Note 1: For your added safety, this is a TWO HANDED OPERATION wood splitter. The hydraulic control is a single handle valve called the Operating Handle. The ram travels forward only while the Operating Handle is held down and Electric Motor Start Button is depressed. The cylinder automatically completes the return stroke when the Operating Handle is released and Electric Motor Start Button is released.

Note 2: Before starting the splitting operation, the log ram should be cycled 3 to 4 times back and forth (with the Air Bleed Screw open) to help remove any air that may have mixed into the hydraulic fluid from shipping and handling. See Step 3 on page 11 for the Air Bleed Screw Operation.

Tip: In cold weather, cycling the ram a few times will also warm the hydraulic fluid which will allow you to split wood with full power from your machine.

1. With a log properly loaded, and with the Air Bleed Screw open, depress the Electric Motor Start Button with your right hand and wait a few seconds as the motor creates pressure in the hydraulic pump.
2. When safe to do so, push down on the Operating Handle. The ram will now compress the log against the wedge, splitting the log.
3. Keep holding the Operating Handle down until the split pieces of the log fall away. When you have finished splitting a log, first release the Electric Motor Start Button **and then** release the Operator Handle. This will cause the ram to retract to its start position.



WARNING! If the log does not split immediately, do not continue the forward thrust of the ram for more than 5 seconds. To do so can damage the splitter. After the ram has retracted try repositioning the log on the splitter or set the log aside.

4. Make sure nothing will interfere with the ram while it retracts.
5. Stack the split wood as you work. This will provide a safer work area by keeping it uncluttered; avoiding the danger of tripping or damaging the power cord.

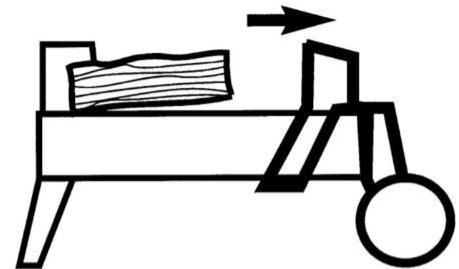
How to Free a Jammed Log from the Wedge



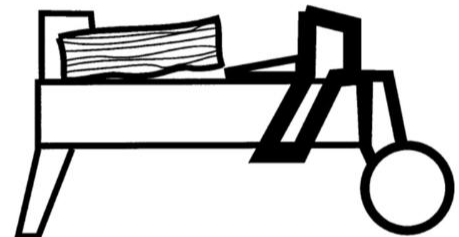
WARNING!

- Never place your hands near the log when attempting to free it from the wedge.
- Never ask for the assistance of another person when freeing a jammed log.
- Never try to extract the jammed log by hitting it with a tool; this could damage the motor cover and hydraulic pump cover, etc.

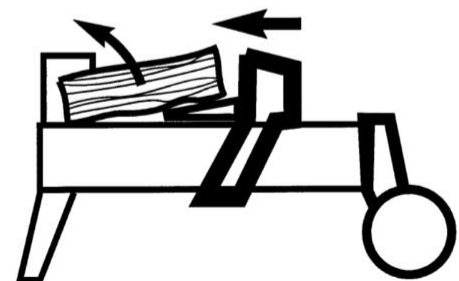
1. If you want to stop the wood splitter, first release the Electric Motor Start Button **and then** release the Operator Handle so that the ram fully retracts (*Figure 8*).



2. Insert a plastic or wooden wedge under the jammed log (*Figure 8*) and activate the ram to push the wood wedge under the jammed log.



3. Repeat this process, using progressively larger wedges, until the jammed log is freed (*Figure 8*).



4. Lift the log off the wood splitter wedge after it is loosened.

Figure 8

Chapter 5: Maintaining the DR 4 -Ton WOOD SPLITTER

Regular maintenance is the way to ensure the best performance and long life of your wood splitter. Please refer to this manual for maintenance procedures.



WARNING! When performing any maintenance, you must first unplug the wood splitter from the power source and make sure the hydraulic system is depressurized and the fluid has cooled. Read the "Safety Considerations" chapter of this manual before performing any repairs or maintenance.

Regular Maintenance Checklist before each use:

- Clean the log ram and guides.
- Check the Splitting Wedge for sharpness (page 19).
- Check the general condition of the wood splitter, e.g.; nuts, bolts, welds etc.

Before each season:

Check the hydraulic fluid level (page 19). Use an AW32 hydraulic fluid for operation over 40°F and Dextron® automatic transmission fluid for operation below 40°F.

Important! Do not drain the hydraulic fluid. Just add enough to replenish the lost volume.

Adjusting the Hydraulic Fluid Level



WARNING! When performing any maintenance, you must first unplug the wood splitter from the power source and make sure the hydraulic system is depressurized and the fluid has cooled. Read the "Safety Considerations" chapter of this manual before performing any repairs or maintenance. See page 8.

Tools Needed:

- Adjustable Wrench
- Small Phillips Screwdriver

1. Check the hydraulic fluid level by tipping the wood splitter up on the wheels and motor.
2. Clean the area around the Hydraulic Fluid Fill/Drain Port. See *Figure 5* on page 12. Loosen the Bleed Screw. Then, using the adjustable wrench, unscrew the Dipstick located in the Hydraulic Fluid Fill/Drain Port.
3. Clean the Dipstick and replace it without screwing down to check the level; it should be between the two marks on the Dipstick. If the fluid is too high, simply pour out a little at a time into a suitable container by tilting the wood splitter. If the fluid is too low, add an AW32 hydraulic fluid, a little at a time until the level falls between the two marks on the dipstick.
4. Clean the Dipstick and the O-ring seal thoroughly and reinstall being careful not to damage the threads of the aluminum Hydraulic Fluid Cylinder End Cover.
5. Open the Air Bleed Screw using a small Phillips screwdriver 4 turns and cycle the ram back and forth 3 or 4 times to purge any air from the hydraulic system (*Figure 4* on page 11).

Sharpening the Wedge



WARNING! When performing any maintenance, you must first unplug the wood splitter from the power source and make sure the hydraulic system is depressurized and the fluid has cooled. Read the "Safety Considerations" chapter of this manual before performing any repairs or maintenance.

Tool Needed:

- Fine-Toothed Flat File

Before each splitting session, check the sharpness of the wedge. As required, remove any burrs or flat spots on the wedge blade using a fine-toothed flat file.

Electrical Connections



WARNING! The DR 4-Ton WOOD SPLITTER MUST be grounded.

End of Season & Storage



WARNING! When performing any maintenance, you must first unplug the wood splitter from the power source and make sure the hydraulic system is depressurized and the fluid has cooled. Read the "Safety Considerations" chapter of this manual before performing any repairs or maintenance.

- Wipe down the wood splitter to remove any moisture, wood chips and dirt that may have accumulated on the log guide rails, hydraulic control and motor fan housing.
- Apply a thin coating of oil or #2 Lithium Grease to the wedge cutting edge to prevent rust.
- Store the DR 4 -Ton WOOD SPLITTER in a dry area to prevent moisture from damaging the electrical components of the machine.
- Make sure that the Air Bleed Screw is tightened (See *Figure 4* on page 11).

Important! Use care, do not over tighten and strip the Air Bleed Screw threads.

Chapter 6: Troubleshooting

Most problems are easy to fix. Consult the Troubleshooting Table below for common problems and their solutions. If you continue to experience problems, call Country Home Products, Inc. for support.

Troubleshooting Table



WARNING! When performing any maintenance, you must first unplug the wood splitter from the power source and make sure the hydraulic system is depressurized and the fluid has cooled. Read the "Safety Considerations" chapter of this manual before performing any repairs or maintenance.

SYMPTOM	POSSIBLE CAUSE
<i>Ram will not move or is slow to respond.</i>	<ul style="list-style-type: none">⇒ Is the bleed screw adjusted properly? See page 11, Step 3.⇒ Bleed any accumulated air from the hydraulic system. See page 8 and page 18, Step 5.⇒ Is the wood splitter on a level surface? See page 11, Step 1.⇒ Make sure the voltage at the outlet or extension cord connection to the wood splitter is at least 105VAC.⇒ The hydraulic fluid may be low. Check and adjust the level as required. See page 18.⇒ The wood being split may be too hard, it has knots or its fiber is very tough.

SYMPTOM	POSSIBLE CAUSE
<i>Log fails to split.</i>	<ul style="list-style-type: none"> ⇒ Check the possible causes for the previous ram operation symptom on page 21. ⇒ Incorrect positioning of the log. Re-position the log flat on the splitting beam with the ends squarely against the ram face and splitting wedge. ⇒ Log exceeds permitted dimensions or the wood is too hard for the capacity of the machine. The maximum log length is 20" with a maximum diameter of 10" for the DR 4 -Ton WOOD SPLITTER. ⇒ The wedge has burrs or nicks and needs to be sharpened. See page 18. ⇒ There may be a hydraulic fluid leak. Locate the leak using a piece of cardboard under the machine and call 1(800) DR-OWNER (376-9637), or a qualified hydraulic mechanic for assistance, to replace worn components. ⇒ Hydraulic pressure is too low. Call 1(800) DR-OWNER (376-9637), or a qualified hydraulic mechanic for assistance to replace worn components.
<i>Ram advances with a jerky motion or with strong vibrations.</i>	<ul style="list-style-type: none"> ⇒ Check the possible causes for the ram operation symptom on page 21. ⇒ Check the hydraulic fluid level. See page 18. ⇒ Bleed any accumulated air from the hydraulic system. See page 8 and page 18, Step 5. If the problem persists, call 1(800) DR-OWNER (376-9637) for assistance.
<i>Hydraulic fluid leaking from the ram or other external parts.</i>	<ul style="list-style-type: none"> ⇒ Check that the bleed screw has been tightened before moving the machine. Use care: Do not over tighten and strip the bleed screw threads. ⇒ The hydraulic fluid seals may be worn. Call 1(800) DR-OWNER (376-9637), or a qualified hydraulic mechanic for assistance to replace worn components.

Note: Country Home Products, Inc. has provided parts lists and schematic diagrams as reference tools only. CHP makes no representation or warranty of any kind to the buyer that he/she is qualified to make any repairs to the product or that he/she is qualified to replace any parts of the product. In fact, CHP expressly states that all repairs and parts replacement should be undertaken by certified and licensed technicians and not by the buyer. The buyer assumes all risk and liability arising out of his/her repairs to the original product or replacement parts thereto, or arising out of his/her installation of replacement parts thereto.

Chapter 7: Parts Lists and Schematic Diagrams

DR 4 -Ton Electric Wood Splitter - Parts List

Note: Part numbers listed are available through Country Home Products.

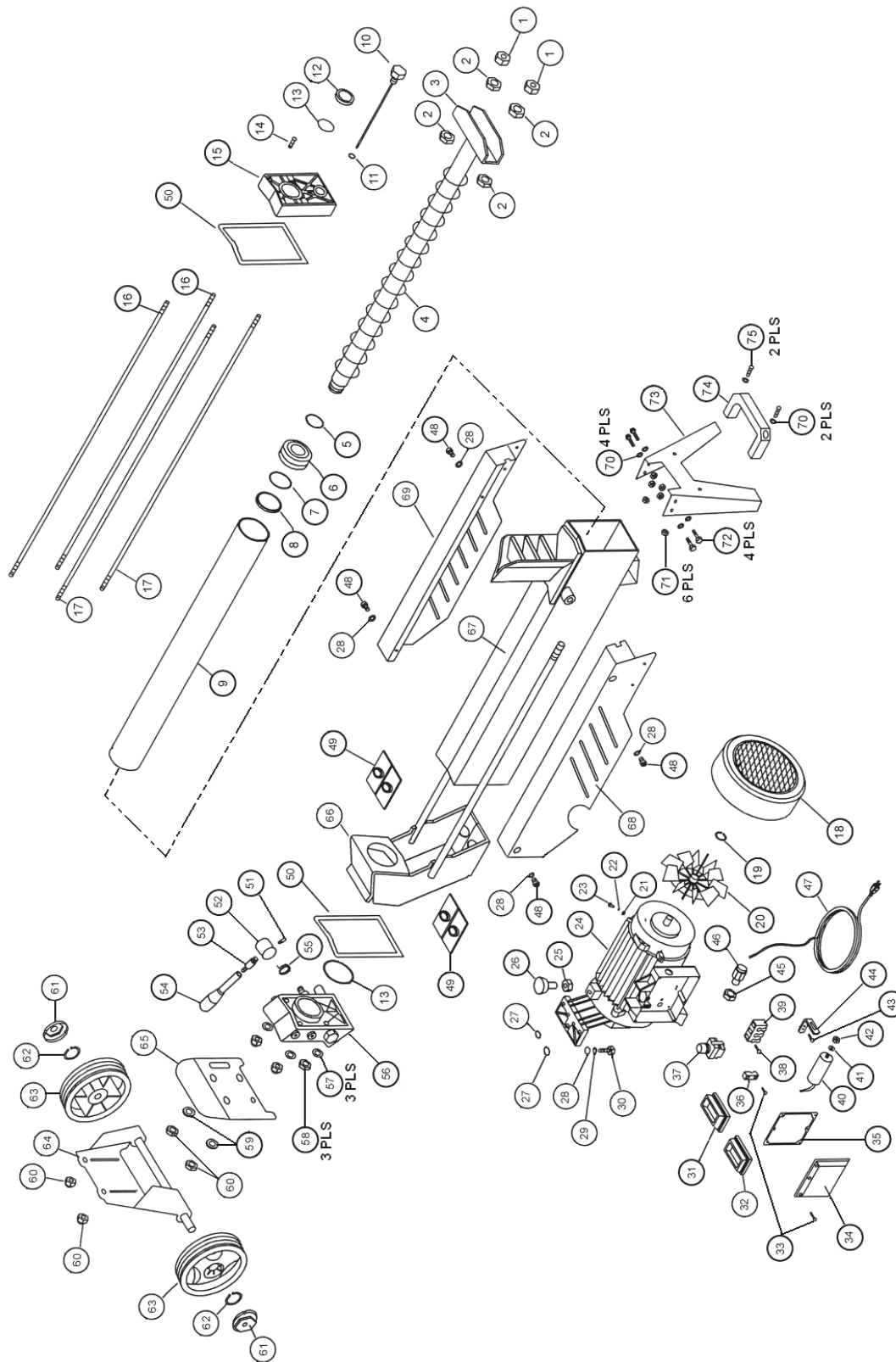
<u>Ref#</u>	<u>Part#</u>	<u>Description</u>	<u>Ref#</u>	<u>Part#</u>	<u>Description</u>
01	204271	Hex Nut, M14	34	182411	Cover, Capacitor Box
02	204281	Hex Nut (Thin), M14	35	204551	Seal, Rubber, Anti-Dust
03	204291	Piston, Ram	36	204581	Clamp, Wire
04	204301	Spring	37	205521	Switch
05	204311	O-ring, Oil Seal	38	204521	Screw, Phillips, M4 x 8
06	204321	Piston	39	204511	Connection Pole
07	204341	O-ring, Oil Seal	40	182211	Capacitor
08	204351	Square Piston Ring	41	204541	Washer, Lock
09	204361	Cylinder Body	42	204531	Nut, M8
10	182181	Dipstick	43	204501	Screw, Phillips, M4 x 12
11	182191	O-ring, Oil Seal	44	204491	Support, Capacitor
12	202161	Ring, Seal, Teflon	45	205651	Nut, Wire Clamp
13	202171	O-ring, Oil Seal	46	205641	Bushing, Wire Clamp
14	202141	Bleed Screw, M4 x 10	47	182131	Power Cable & Plug
15	204371	End Cover, Oil Cylinder	48	202481	Allen Head Bolt, M8 x 14
16	182161	Bolt, Two Head	49	205921	Plate, Sleeve, Plastic
17	182151	Bolt, Two Head, Long	50	205941	Cover Seal, Square
18	182291	Cover, Motor Fan, End	51	205021	Screw, Fixing, M8 x 10
19	204381	Circlip, Spindle	52	202751	Base, Handle
20	182301	Fan, Flying	53	205031	Short Bar, Handle
21	204421	Washer, Flat, M4	54	206121	Bar, Grip Handle, Long
22	204411	Washer, Spring, M4	55	205041	Spring
23	204401	Screw, Phillips, M4 x 6	56	182111	Cover, Oil Cylinder, Front
24	202701	Motor	57	205081	Washer, Copper
25	204681	Nut, M8	58	205091	Nut M10
26	204691	Screw, M8	59	205151	Washer, Flat, M10
27	204801	O-ring, Oil Seal	60	203731	Nut, M10
28	202491	Washer, Flat, M8	61	205131	Cover, Axle, Wheel
29	204771	Washer, Spring, M8	62	202681	Circlip, Axle
30	204791	Bolt, M8 x 30	63	205141	Wheel, Rubber
31	204651	Foot, Motor, Rubber, Right	64	203701	Frame, Wheel
32	203721	Foot, Motor, Rubber, Left	65	203741	Plate, Support
33	204571	Screw, Phillips	66	204871	Log Pusher Assembly

Ref#	Part#	Description
67	204831	Body, Main
68	204841	Right Plate, Log Guiding
69	204851	Left Plate, Log Guiding
70	204811	Washer, Flat, M6
71	203371	Nut, M6
72	204821	Bolt, M6 x 14
73	202691	Leg, Support, 11"
74	182201	Handle, Carry
75	203381	Screw, Cr head, M6 x 20

Safety Labels & Supplies

206661	Bleed Screw Label
206871	Safety Warning Label
	DR Power Equipment Label
	Speed Position Label
	Small DR Label
206881	Wrench, 10-12
	Wrench, 13-16
187131	Safety & Operation Manual

DR 4 -Ton Electric Wood Splitter - Schematic



Notes



DR[®] POWER EQUIPMENT

DR[®] 4 -Ton WOOD SPLITTER 1-Year Limited Warranty

Terms and Conditions

The DR[®] 4 -Ton WOOD SPLITTER is warranted for one (1) year against defects in materials or workmanship when put to ordinary and normal consumer use; ninety (90) days for any other use.

For the purposes of all the above warranties, "ordinary and normal consumer use" refers to non-commercial residential use and does not include misuse, accidents or damage due to inadequate maintenance.

Country Home Products, Inc. certifies that the DR[®] 4 -Ton WOOD SPLITTER is fit for ordinary purposes for which a product of this type is used. Country Home Products, Inc. however, limits the implied warranties of merchantability and fitness in duration to a period of one (1) year in consumer use, ninety (90) days for any other use.

The 1-Year Limited Warranty on the DR[®] 4 -Ton WOOD SPLITTER starts on the date the machine ships from our factory. The 1-Year Limited Warranty is applicable only to the original owner.

The warranty holder is responsible for the performance of the required maintenance as defined by the manufacturer's owner's manuals. The warranty holder is responsible for replacement of normally wearing parts such as the wear plates. Attachments and accessories to the machine are not covered by this warranty.

During the warranty period, the warranty holder is responsible for the machine transportation charges, if required. During the warranty period, warranty parts will be shipped by standard method at no charge to the warranty holder. Expedited shipping of warranty parts is the responsibility of the warranty holder.

SOME STATES DO NOT ALLOW LIMITATIONS ON THE LENGTH OF IMPLIED WARRANTIES, SO THE ABOVE LIMITATIONS MAY NOT APPLY TO YOU.

Country Home Products, Inc. shall not be liable under any circumstances for any **incidental or consequential damages or expenses** of any kind, including, but not limited to, cost of equipment rentals, loss of profit, or cost of hiring services to perform tasks normally performed by the DR[®] 4 -Ton WOOD SPLITTER.

SOME STATES DO NOT ALLOW THE EXCLUSION OR LIMITATION OF INCIDENTAL OR CONSEQUENTIAL DAMAGES, SO THE ABOVE LIMITATIONS MAY NOT APPLY TO YOU.

Customer Service Hotline

Country Home Products, Inc.'s objective is to have 100% satisfied customers. For that reason, we operate a 6-day-a-week Technical Service Department for our Owners. You can access a Representative by dialing our TOLL-FREE Hotline at 1-800-DR-OWNER (376-9637). The sole job of our well-trained and friendly folks is to ensure that you get any help you need in a timely fashion. They are there to answer all your questions including: (1) inquiries on any of the above warranties, (2) inquiries about replacement parts, or (3) your questions regarding service, maintenance and operation.

THIS WARRANTY GIVES YOU SPECIFIC LEGAL RIGHTS, AND YOU ALSO HAVE OTHER RIGHTS, WHICH VARY FROM STATE TO STATE.

Daily Checklist for the DR 4 -Ton WOOD SPLITTER

To help maintain your DR 4 -Ton WOOD SPLITTER for optimum performance, we recommend you follow this checklist each time you use your machine.

- HARDWARE:** Check all nuts and bolts to be sure that the components are secure.
- FRAME:** Check all welds to be sure that the frame is in tact and secure.
- CLEAN:** Make sure that the log guides and the top of the wood splitter beam are clean.
- HYDRAULIC FLUID:** Inspect the hydraulic fluid level and adjust as required. (See page 18)
- AIR BLEED SCREW:** Make sure to follow the proper procedures for adjusting the Air Bleed Screw prior to operating the wood splitter. (See page 11)



COUNTRY HOME PRODUCTS, Inc.

MEIGS ROAD, P.O. BOX 25, VERGENNES, VERMONT 05491

1-800-DR-OWNER (376-9637) • www.dr-owner.com

©2005 CHP, Inc. 187131

Free Manuals Download Website

<http://myh66.com>

<http://usermanuals.us>

<http://www.somanuals.com>

<http://www.4manuals.cc>

<http://www.manual-lib.com>

<http://www.404manual.com>

<http://www.luxmanual.com>

<http://aubethermostatmanual.com>

Golf course search by state

<http://golfingnear.com>

Email search by domain

<http://emailbydomain.com>

Auto manuals search

<http://auto.somanuals.com>

TV manuals search

<http://tv.somanuals.com>