


Dell PowerEdge R920 System Owner's Manual

Regulatory Model: E23S Series
Regulatory Type: E23S001



Notes, Cautions, and Warnings

 **NOTE:** A NOTE indicates important information that helps you make better use of your computer.

 **CAUTION:** A CAUTION indicates either potential damage to hardware or loss of data and tells you how to avoid the problem.

 **WARNING:** A WARNING indicates a potential for property damage, personal injury, or death.

Copyright © 2014 Dell Inc. All rights reserved. This product is protected by U.S. and international copyright and intellectual property laws. Dell™ and the Dell logo are trademarks of Dell Inc. in the United States and/or other jurisdictions. All other marks and names mentioned herein may be trademarks of their respective companies.

2014 – 11

Rev. A02

Contents

1 About Your System.....	9
Front-Panel Features And Indicators.....	9
LCD Panel Features.....	10
Home Screen.....	11
Setup Menu.....	11
View Menu.....	12
Hard-Drive Indicator Patterns.....	12
PCIe SSD LED Indicators.....	13
Back-Panel Features And Indicators.....	14
NIC Indicator Codes.....	15
Power Indicator Codes.....	16
Related Documentation.....	17
Quick Resource Locator.....	18
2 Using The System Setup and Boot Manager.....	19
Choosing The System Boot Mode.....	19
Entering System Setup.....	20
Responding To Error Messages.....	20
Using The System Setup Navigation Keys.....	20
System Setup Options.....	21
System Setup Main Screen.....	21
System BIOS Screen.....	21
System Information Screen.....	21
Memory Settings Screen.....	22
Processor Settings Screen.....	22
SATA Settings Screen.....	23
Boot Settings Screen.....	24
Integrated Devices Screen.....	24
Serial Communications Screen.....	25
System Profile Settings Screen.....	26
System Security Screen.....	27
Miscellaneous Settings.....	28
System And Setup Password Features.....	28
Assigning A System And/Or Setup Password.....	28
Deleting Or Changing An Existing System And/Or Setup Password.....	29
Using Your System Password To Secure Your System.....	30
Operating With A Setup Password Enabled.....	30
Entering The UEFI Boot Manager.....	30

Using The Boot Manager Navigation Keys.....	31
Boot Manager Screen.....	31
UEFI Boot menu.....	31
Embedded System Management.....	32
iDRAC Settings Utility.....	32
Entering The iDRAC Settings Utility.....	32
Changing The Thermal Settings.....	32

3 Installing System Components.....33

Recommended Tools.....	33
Front Bezel (Optional).....	33
Removing The Front Bezel.....	33
Installing The Front Bezel.....	34
Opening And Closing The System.....	34
Opening The System.....	35
Closing The System.....	35
Inside The System.....	36
Chassis Intrusion Switch.....	37
Removing And Installing The Chassis Intrusion Switch Cable.....	37
Cable Management Tray.....	38
Removing The Cable Management Tray	38
Installing The Cable Management Tray.....	39
System Memory.....	39
General Memory Module Installation Guidelines.....	43
Mode-Specific Guidelines.....	43
Advanced ECC (Lockstep).....	43
Memory Optimized (Independent Channel) Mode.....	44
Memory Sparing.....	44
Memory Mirroring.....	44
Fault Resilient Memory.....	44
Sample Memory Configurations.....	44
Removing A Memory-Riser Blank.....	47
Installing A Memory-Riser Blank.....	48
Removing A Memory Riser.....	48
Installing A Memory Riser.....	49
Removing Memory Modules From The Memory Riser.....	50
Installing Memory Modules.....	52
Memory Riser And Fan Cage.....	54
Removing The Memory Riser And Fan Cage.....	54
Installing The Memory Riser And Fan Cage.....	55
Hard Drives.....	56
Removing A 2.5 Inch Hard-Drive Blank.....	56

Installing A 2.5 Inch Hard-Drive Blank.....	56
Removing A Hot-Swap Hard Drive.....	57
Installing A Hot-Swap Hard Drive.....	57
Removing A Hard Drive From A Hard-Drive Carrier.....	58
Installing A Hard Drive Into A Hard-Drive Carrier.....	59
Optical Drive (Optional).....	59
Removing The Optical Drive.....	59
Installing The Optical Drive.....	60
Cooling Fans.....	60
Removing A Cooling Fan.....	61
Installing A Cooling Fan.....	62
Removing The Fan Tray.....	62
Installing The Fan tray	63
Internal USB Memory Key (Optional).....	63
Replacing The Internal USB Key.....	64
Expansion Cards And Expansion-Card Risers.....	64
Expansion Card Installation Guidelines.....	65
Removing The Left Expansion Card Riser Blank.....	66
Installing The Left Expansion Card Riser Blank.....	67
Removing The Right Expansion Card Riser Blank.....	68
Removing An Expansion Card From Expansion-Card Risers 2 and 3.....	68
Installing An Expansion Card Into The Expansion-Card Riser 2 and 3.....	73
NDC Riser (I/O Riser 1).....	73
Removing The NDC Riser (I/O Riser 1).....	73
Installing The NDC Riser (I/O Riser 1).....	74
Network Daughter Card.....	75
Removing The Network Daughter Card.....	75
Installing The Network Daughter Card.....	76
SD vFlash Card.....	76
Replacing An SD vFlash Card.....	77
Internal Dual SD Module.....	77
Removing The Internal Dual SD Module.....	77
Installing The Internal Dual SD Module.....	78
Internal SD Card.....	78
Removing An Internal SD Card.....	79
Installing An Internal SD Card.....	80
Integrated Storage Controller Card.....	80
Removing The Integrated Storage Controller Card.....	80
Installing The Integrated Storage Controller Card.....	81
RAID Battery.....	82
Removing a RAID Battery.....	82
Installing The RAID Battery.....	83

Processors.....	83
Removing A Heat Sink Blank	83
Installing A Heat Sink Blank.....	84
Removing A Processor.....	85
Installing A Processor.....	88
Power Supplies.....	89
Hot Spare Feature.....	90
Removing An AC Power Supply.....	90
Installing An AC Power Supply.....	91
Wiring Instructions For A DC Power Supply.....	92
Assembling And Connecting The Safety Ground Wire.....	92
Assembling The DC Input Power Wires.....	93
Removing A DC Power Supply.....	94
Installing A DC Power Supply.....	95
Removing The Power Supply Blank.....	96
Installing The Power Supply Blank.....	96
Power Distribution Board.....	96
Removing The Power Supply Bay.....	97
Installing The Power Supply Bay.....	98
Removing The Power Distribution Board.....	98
Installing The Power Distribution Board.....	99
System Battery.....	99
Replacing The System Battery.....	99
Hard-Drive Backplane.....	100
Removing The Hard-Drive Backplane.....	101
Installing The Hard-Drive Backplane.....	110
SAS Expander Daughter Card.....	110
Removing The SAS Expander Daughter Card.....	110
Installing The SAS Expander Daughter Card.....	111
Control Panel Board.....	111
Removing The Control Panel Board.....	111
Installing The Control Panel Board.....	112
System Board.....	113
Removing The System Board.....	113
Installing The System Board.....	114
4 Troubleshooting Your System.....	116
Safety First—For You And Your System.....	116
Troubleshooting System Startup Failure.....	116
Troubleshooting External Connections.....	116
Troubleshooting The Video Subsystem.....	116
Troubleshooting A USB Device.....	116

Troubleshooting A Serial I/O Device.....	117
Troubleshooting A Wet System.....	117
Troubleshooting A Damaged System.....	118
Troubleshooting The System Battery.....	119
Troubleshooting Power Supplies.....	119
Troubleshooting Cooling Problems.....	119
Troubleshooting Cooling Fans.....	120
Troubleshooting System Memory.....	120
Troubleshooting An Internal USB Key.....	121
Troubleshooting An SD Card.....	121
Troubleshooting An Optical Drive.....	122
Troubleshooting A Hard Drive.....	122
Troubleshooting A Storage Controller.....	123
Troubleshooting Expansion Cards.....	124
Troubleshooting Processors.....	124
5 Using System Diagnostics.....	126
Dell Embedded System Diagnostics.....	126
When To Use The Embedded System Diagnostics.....	126
Running The Embedded System Diagnostics.....	126
System Diagnostic Controls.....	126
6 Jumpers And Connectors.....	128
System Board Jumper Settings.....	128
System Board Connectors.....	129
Disabling A Forgotten Password.....	132
7 Technical Specifications.....	133
8 System Messages.....	139
LCD Messages.....	139
Viewing LCD Messages.....	139
Removing LCD Messages.....	139
System Error Messages.....	139
Warning Messages.....	155
Diagnostic Messages.....	155
Alert Messages.....	155
9 Getting help.....	156
Contacting Dell.....	156
Quick Resource Locator.....	156
Locating your system service tag.....	156

Documentation feedback..... 157

About Your System

Front-Panel Features And Indicators

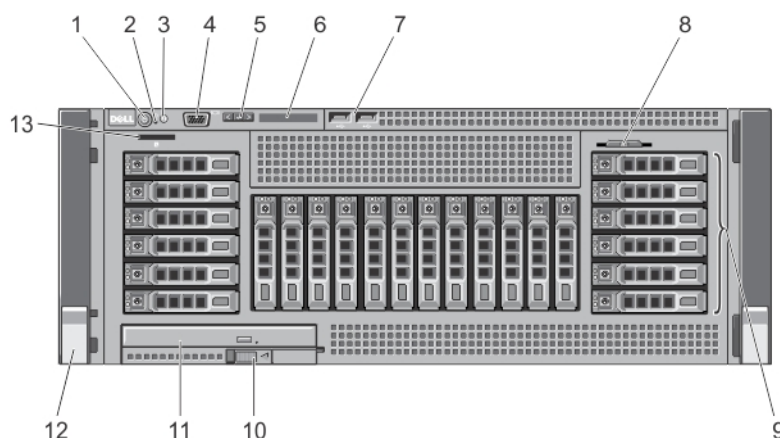











Figure 1. Front-Panel Features and Indicators

Item	Indicator, Button, or Connector	Icon	Description
1	Power-on indicator, power button		<p>The power-on indicator lights when the system power is on. The power button controls the power supply output to the system.</p> <p> NOTE: On ACPI-compliant operating systems, turning off the system using the power button causes the system to perform a graceful shutdown before power to the system is turned off.</p>
2	NMI button		<p>Used to troubleshoot software and device driver errors when running certain operating systems. This button can be pressed using the end of a paper clip.</p> <p>Use this button only if directed to do so by qualified support personnel or by the operating system documentation.</p>
3	System identification button		<p>The identification buttons on the front and back panels can be used to locate a particular system within a rack. When one of these buttons is pressed, the LCD panel on the front and the system status indicator on the back flashes until one of the buttons is pressed again.</p>

Item	Indicator, Button, or Connector	Icon	Description
			<p>Press to toggle the system ID on and off.</p> <p>If the system stops responding during POST, press and hold the system ID button for more than five seconds to enter BIOS progress mode.</p> <p>To reset iDRAC (if not disabled in F2 iDRAC setup), press and hold the button for more than 15 seconds.</p>
4	Video connector		Allows you to connect a VGA display to the system.
5	LCD menu buttons		Allows you to navigate the control panel LCD menu.
6	LCD panel		<p>Displays system ID, status information, and system error messages. The LCD lights blue during normal system operation. The LCD lights amber when the system needs attention, and the LCD panel displays an error code followed by descriptive text.</p> <p> NOTE: If the system is connected to a power source and an error is detected, the LCD lights amber regardless of whether the system is turned on or off.</p>
7	USB connectors (2)		Allows you to connect USB devices to the system. The ports are USB 2.0-compliant.
8	Enterprise Service Tag		A slide-out label panel, which allows you to record system information such as Service Tag, NIC, MAC address, and so on, as per your need.
9	Hard drives (number of drives will be either 4 or 24 depending on the backplane configurations)		<p>2.5 inch hard drives</p> <p> NOTE: On the backplane supported Flash devices, there are 3 bays in total. The first two bays are for PCIe Flash devices with two sets of drives labelled 0 through 3. The bay 3 is for SAS drives labelled 0 through 15.</p>
10	Slide lock		A lock that pops out the ejector handle for the optical drive.
11	Optical drive (optional)		One optional SATA DVD-ROM drive or DVD+/- RW drive.
12	Rack ears		Allows you to pull the system out of the rack.
13	vFlash media card slot		Allows you to insert a vFlash media card.

LCD Panel Features

The system's LCD panel provides system information and status and error messages to indicate when the system is operating correctly or when the system needs attention. See System Error Messages for information about specific error codes.

- The LCD backlight lights blue during normal operating conditions and lights amber to indicate an error condition.
- The LCD backlight is off when the system is in standby mode and can be turned on by pressing either the Select, Left, or Right button on the LCD panel.

- The LCD backlight remains off if LCD messaging is turned off through the iDRAC utility, the LCD panel, or other tools.

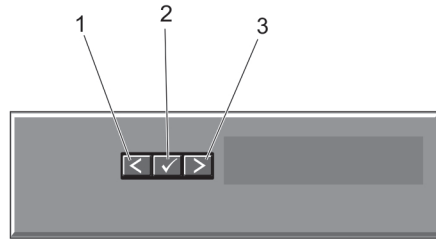




Figure 2. LCD Panel Features

Item	Button	Description
1	Left	Moves the cursor back in one-step increments.
2	Select	Selects the menu item highlighted by the cursor.
3	Right	Moves the cursor forward in one-step increments. During message scrolling: <ul style="list-style-type: none"> • Press once to increase scrolling speed • Press again to stop • Press again to return to default scrolling speed • Press again to repeat the cycle


Home Screen

The Home screen displays user-configurable information about the system. This screen is displayed during normal system operation when there are no status messages or errors. When the system is in standby mode, the LCD backlight turns off after five minutes of inactivity if there are no error messages. Press one of the three navigation buttons (Select, Left, or Right) to view the Home screen.

To navigate to the Home screen from another menu, continue to select the up arrow  until the Home icon  is displayed, and then select the Home icon.

From the Home screen, press the Select button to enter the main menu.


Setup Menu

 **NOTE:** When you select an option in the Setup menu, you must confirm the option before proceeding to the next action.

Option	Description
iDRAC	Select DHCP or Static IP to configure the network mode. If Static IP is selected, the available fields are IP , Subnet (Sub) , and Gateway (Gtw) . Select Setup DNS to enable DNS and to view domain addresses. Two separate DNS entries are available.

Option	Description
Set error	Select SEL to display LCD error messages in a format that matches the IPMI description in the SEL. This is useful when trying to match an LCD message with an SEL entry. Select Simple to display LCD error messages in a simplified user-friendly description. See System Error Messages for a list of messages in this format.
Set home	Select the default information to be displayed on the LCD Home screen. See View Menu to see the options and option items that can be set as the default on the Home screen.

View Menu

 **NOTE:** When you select an option in the View menu, you must confirm the option before proceeding to the next action.

Option	Description
iDRAC IP	Displays the IPv4 or IPv6 addresses for the iDRAC7. Addresses include DNS (Primary and Secondary) , Gateway, IP , and Subnet (IPv6 does not have Subnet).
MAC	Displays the MAC addresses for iDRAC , iSCSI , or Network devices.
Name	Displays the name of the Host, Model , or User String for the system
Number	Displays the Asset tag or the Service tag for the system.
Power	Displays the power output of the system in BTU/hr or Watts. The display format can be configured in the Set home submenu of the Setup menu.
Temperature	Displays the temperature of the system in Celsius or Fahrenheit. The display format can be configured in the Set home submenu of the Setup menu.


Hard-Drive Indicator Patterns



Figure 3. Hard-Drive Indicators

1. hard-drive activity indicator (green)
2. hard-drive status indicator (green and amber)

 **NOTE:** If the hard drive is in Advanced Host Controller Interface (AHCI) mode, the status indicator (on the right side) does not function and remains off.

Drive-Status Indicator Pattern (RAID Only)	Condition
Blinks green two times per second	Identifying drive or preparing for removal
Off	Drive ready for insertion or removal
	 NOTE: The drive status indicator remains off until all hard drives are initialized after the system is turned on. Drives are not ready for insertion or removal during this time.
Blinks green, amber, and off	Predicted drive failure
Blinks amber four times per second	Drive failed
Blinks green slowly	Drive rebuilding
Steady green	Drive online
Blinks green three seconds, amber three seconds, and off six seconds	Rebuild aborted

PCIe SSD LED Indicators

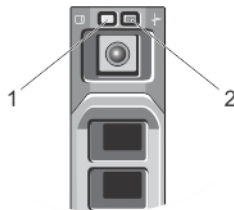


Figure 4. PCIe SSD LED Indicators

1. activity indicator
2. status indicator

While the operating system is running, the status indicator provides the current status of the device. The following table lists the device states along with the associated LED indicator codes.

Table 1. PCIe SSD States and LED Indicator Codes

State Name	Slot/Device State	Status LED (Green)	Status LED (Amber)
Device status off	The server or device is not powered up.	Off	Off
Device online	The device is powered up.	On	Off

State Name	Slot/Device State	Status LED (Green)	Status LED (Amber)
Device identify (blink)	The device is identifying the slot location or is indicating the device has received a Prepare for Removal command from the host operating system.	On for 250 msec Off for 250 msec	Off
Device failed	The host operating system no longer has access to the device because the device is not responding or has encountered a critical error condition.	Off	On for 250 msec Off for 250 msec

Back-Panel Features And Indicators

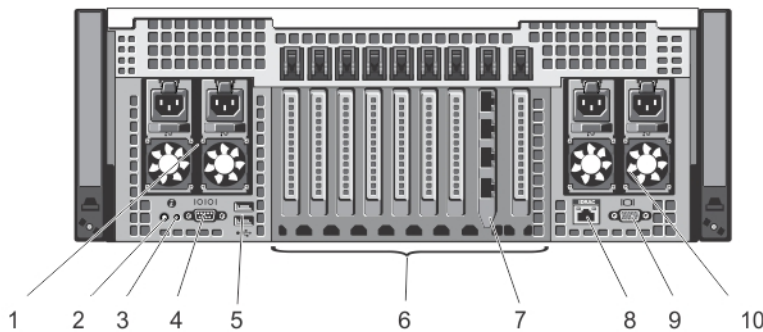








Figure 5. Back-Panel Features and Indicators

Item	Indicator, Button, or Connector	Icon	Description
1	Power supply (PSU 3 and 4)		<p>AC 750 W, 1100 W, or 1600 W (when available)</p> <p>or</p> <p>DC 1100 W</p>
2	System identification button		<p>The identification buttons on the front and back panels can be used to locate a particular system within a rack. Press to toggle the system ID on and off.</p> <p>If the system stops responding during POST, press and hold the system ID button for more than five seconds to enter BIOS progress mode.</p> <p>To reset iDRAC (if not disabled in F2 iDRAC setup) press and hold the button for more than 15 seconds.</p>
3	System identification connector		Connects the optional system status indicator assembly through the optional cable management arm.

Item	Indicator, Button, or Connector	Icon	Description
4	Serial connector		Allows you to connect a serial device to the system.
5	USB connectors (2)		Allows you to connect USB devices to the system. The ports are USB 2.0-compliant.
6	PCIe expansion card slots (8 or 10 depending on the I/O risers installed)		Allows you to connect PCI Express expansion cards.
7	Ethernet connectors (4)		Four integrated 10/100/1000 Mbps NIC connectors or Four integrated connectors that include: <ul style="list-style-type: none"> • Two 10/100/1000 Mbps NIC connectors • Two 100 Mbps/1 Gbps/10 Gbps SFP+/10 GbE T connectors
8	iDRAC Enterprise port		Dedicated management port.  NOTE: The port is available for use only if the iDRAC7 Enterprise license is installed on your system.
9	Video connector		Allows you to connect a VGA display to the system.
10	Power supply (PSU 1 and 2)		AC 750 W, 1100 W, or 1600 W (when available) or DC 1100 W  NOTE: You can install only one 1600 W power supply on each side of the system.

NIC Indicator Codes

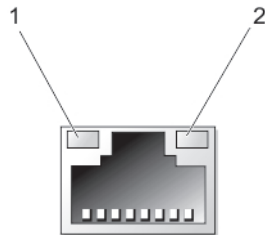


Figure 6. NIC Indicator

1. link indicator

2. activity indicator

Indicator	Indicator Code
Link and activity indicators are off	The NIC is not connected to the network.
Link indicator is green	The NIC is connected to a valid network at its maximum port speed (1 Gbps or 10 Gbps).
Link indicator is amber	The NIC is connected to a valid network at less than its maximum port speed.
Activity indicator is blinking green	Network data is being sent or received.

Power Indicator Codes

Each AC power supply has an illuminated translucent handle and each DC power supply (when available) has an LED that serves as an indicator to show whether power is present or whether a power fault has occurred.

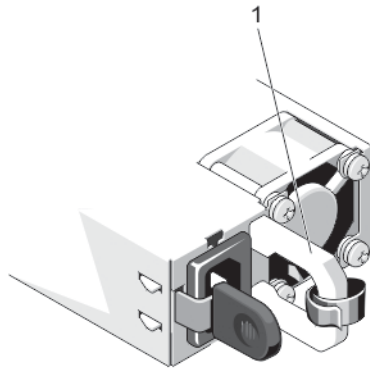


Figure 7. AC Power Supply Status Indicator

1. AC power supply status indicator/handle

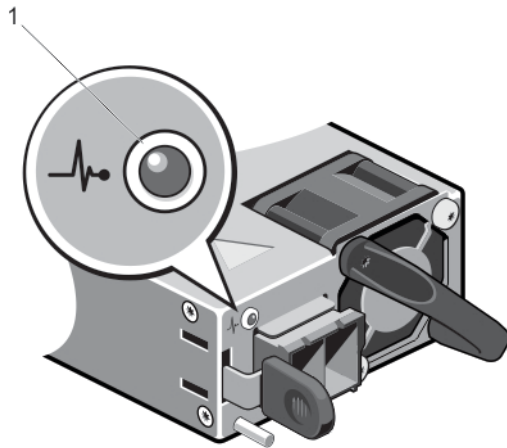






Figure 8. DC Power Supply Status Indicator


1. DC power supply status indicator


Power Indicator Pattern	Condition
Not lit	Power is not connected.
Green	The handle/LED indicator lights green indicating that a valid power source is connected to the power supply and that the power supply is operational.
Flashing amber	<p>Indicates a problem with the power supply.</p> <p> CAUTION: When correcting a power supply mismatch, replace only the power supply with the flashing indicator. Swapping the opposite power supply to make a matched pair can result in an error condition and unexpected system shutdown. To change from a High Output configuration to a Low Output configuration or vice versa, you must power down the system.</p> <p> CAUTION: AC power supplies support both 220 V and 110 V input voltages with the exception of Titanium power supplies, which support only 220 V. When two identical power supplies receive different input voltages, they can output different wattages, and trigger a mismatch.</p> <p> CAUTION: If two power supplies are used, they must be of the same type and have the same maximum output power.</p> <p> CAUTION: Combining AC and DC power supplies is not supported and triggers a mismatch.</p>
Flashing green	<p>When hot-adding a power supply, this indicates that the power supply is mismatched with the other power supply (in terms of efficiency, feature set, health status, and supported voltage). Replace the power supply that has the flashing indicator with a power supply that matches the capacity of the other installed power supply.</p>


Related Documentation


 **WARNING: See the safety and regulatory information that shipped with your system. Warranty information may be included within this document or as a separate document.**

 **NOTE:** For all PowerEdge documentation, go to dell.com/poweredgemanuals and enter the system Service Tag to get your system documentation.

 **NOTE:** For all Virtualization documents, go to dell.com/virtualizationsolutions.

 **NOTE:** For all Dell OpenManage documents, go to dell.com/openmanagemanuals.


 **NOTE:** For all operating system documents, go to dell.com/operatingsystemmanuals.

 **NOTE:** For all storage controllers and PCIe SSD documents, go to dell.com/storagecontrollermanuals.

Your product documentation includes:

- *Getting Started Guide* — Provides an overview of system features, setting up your system, and technical specifications. This document is shipped with your system and also available online at dell.com/support/manuals.
- Rack Installation Instructions — Describes how to install your system into a rack. This document is shipped with your rack solution.
- Any media that ships with your system that provides documentation and tools for configuring and managing your system, including those pertaining to the operating system, systems management software, system updates, and system components that you purchased with your system.

- For more information on the system and how-to videos, scan the Quick Resource Locator (QRL) available on your system.

 **NOTE:** Download the QRL application from your mobile platform to enable the application on your mobile device.

- Always check for updates on dell.com/support/manuals and read the updates first because they often supersede information in other documents.

Quick Resource Locator

Use the Quick Resource Locator (QRL) to get immediate access to system information and how-to videos. This can be done by visiting dell.com/QRL or by using your smartphone and a model specific QR code located on your Dell PowerEdge system. To try out the QR code, scan the following image.



Using The System Setup and Boot Manager

System Setup enables you to manage your system hardware and specify BIOS-level options.

The following keystrokes provide access to system features during startup:

Keystroke	Description
<F2>	Opens the System Setup page.
<F10>	Enters System Services and starts Lifecycle Controller, which supports systems management features such as operating system deployment, hardware diagnostics, firmware updates, and platform configuration, using a graphical user interface. The feature set available in Lifecycle Controller is determined by the iDRAC license purchased. For more information, see Related Documentation topic.
<F11>	Enters the BIOS Boot Manager or the Unified Extensible Firmware Interface (UEFI) Boot Manager, depending on the system's boot configuration.
<F12>	Starts Preboot Execution Environment (PXE) boot.


From the System Setup, you can:

- Change the NVRAM settings after you add or remove hardware
- View the system hardware configuration
- Enable or disable integrated devices
- Set performance and power management thresholds
- Manage system security

You can access the System Setup using the:

- Standard graphical browser, which is enabled by default
- Text browser, which is enabled using **Console Redirection**

To enable **Console Redirection**, in **System Setup**, select **System BIOS** → **Serial Communication screen** → **Serial Communication**, select **On with Console Redirection**.

 **NOTE:** By default, help text for the selected field is displayed in the graphical browser. To view the help text in the text browser, press <F1>.


Choosing The System Boot Mode

System Setup enables you to specify the boot mode for installing your operating system:

- BIOS boot mode (the default) is the standard BIOS-level boot interface.

- UEFI boot mode is an enhanced 64-bit boot interface based on Unified Extensible Firmware Interface (UEFI) specifications that overlays the system BIOS.

You must select the boot mode in the **Boot Mode** field of the **Boot Settings** screen of System Setup. Once you specify the boot mode, the system boots in the specified boot mode and you then proceed to install your operating system from that mode. Thereafter, you must boot the system in the same boot mode (BIOS or UEFI) to access the installed operating system. Trying to boot the operating system from the other boot mode will cause the system to halt at startup.

 **NOTE:** Operating systems must be UEFI-compatible to be installed from the UEFI boot mode. DOS and 32-bit operating systems do not support UEFI and can only be installed from the BIOS boot mode.

 **NOTE:** For the latest information on supported operating systems, go to dell.com/ossupport.

Entering System Setup


1. Turn on or restart your system.
2. Press **<F2>** immediately after you see the following message:

```
<F2> = System Setup
```

If your operating system begins to load before you press **<F2>**, allow the system to finish booting, and then restart your system and try again.


Responding To Error Messages

If an error message is displayed while the system is booting, make a note of the message. For more information, see System Error Messages.

 **NOTE:** After installing a memory upgrade, it is normal for your system to display a message the first time you start your system.


Using The System Setup Navigation Keys

Keys	Action
Up arrow	Moves to the previous field.
Down arrow	Moves to the next field.
<Enter>	Allows you to type in a value in the selected field (if applicable) or follow the link in the field.
Spacebar	Expands or collapses a drop-down menu, if applicable.
<Tab>	Moves to the next focus area.

 **NOTE:** For the standard graphics browser only.


<Esc> Moves to the previous page till you view the main screen. Pressing **<Esc>** in the main screen displays a message that prompts you to save any unsaved changes and restarts the system.

<F1> Displays the System Setup help file.

 **NOTE:** For most of the options, any changes that you make are recorded but do not take effect until you restart the system.


System Setup Options


System Setup Main Screen

 **NOTE:** Press <Alt><F> to reset the BIOS or UEFI settings to their default settings.

Menu Item	Description
System BIOS	This option is used to view and configure BIOS settings.
iDRAC Settings	This option is used to view and configure iDRAC settings.
Device Settings	This option is used to view and configure device settings.

System BIOS Screen

 **NOTE:** The options for System Setup change based on the system configuration.

 **NOTE:** System Setup defaults are listed under their respective options in the following sections, where applicable.


Menu Item	Description
System Information	Displays information about the system such as the system model name, BIOS version, Service Tag, and so on.
Memory Settings	Displays information and options related to installed memory.
Processor Settings	Displays information and options related to the processor such as speed, cache size, and so on.
SATA Settings	Displays options to enable or disable the integrated SATA controller and ports.
Boot Settings	Displays options to specify the boot mode (BIOS or UEFI). Enables you to modify UEFI and BIOS boot settings.
Integrated Devices	Displays options to enable or disable integrated device controllers and ports, and to specify related features and options.
Serial Communication	Displays options to enable or disable the serial ports and specify related features and options.
System Profile Settings	Displays options to change the processor power management settings, memory frequency, and so on.
System Security	Displays options to configure the system security settings like, system password, setup password, TPM security, and so on. It also enables or disables support for local BIOS update, the power and NMI buttons on the system.
Miscellaneous Settings	Displays options to change the system date, time, and so on.

System Information Screen

Menu Item	Description
System Model Name	Displays the system model name.



Menu Item	Description
System BIOS Version	Displays the BIOS version installed on the system.
System Service Tag	Displays the system Service Tag.
System Manufacturer	Displays the name of the system manufacturer.
System Manufacturer Contact Information	Displays the contact information of the system manufacturer.

Memory Settings Screen

Menu Item	Description
System Memory Size	Displays the amount of memory installed in the system.
System Memory Type	Displays the type of memory installed in the system.
System Memory Speed	Displays the system memory speed.
System Memory Voltage	Displays the system memory voltage.
Video Memory	Displays the amount of video memory.
System Memory Testing	Specifies whether system memory tests are run during system boot. Options are Enabled and Disabled . By default, the System Memory Testing option is set to Disabled .
Memory Operating Mode	Specifies the memory operating mode. The options available depending on the memory configuration of your system are Optimizer Mode , Advanced ECC Mode , Mirror Mode , Partial Mirror Mode , Spare Mode , and Spare with Advanced ECC Mode . By default, the Memory Operating Mode option is set to Optimizer Mode .  NOTE: The Memory Operating Mode can have different defaults and available options based on the memory configuration.
Node Interleaving	If this field is Enabled , memory interleaving is supported if a symmetric memory configuration is installed. If Disabled , the system supports Non-Uniform Memory architecture (NUMA) (asymmetric) memory configurations. By default, Node Interleaving option is set to Disabled .

Processor Settings Screen





Menu Item	Description
Logical Processor	Allows you to enable or disable logical processors and display the number of logical processors. If the Logical Processor option is set to Enabled , the BIOS displays all the logical processors. If this option is set to Disabled , the BIOS only displays one logical processor per core. By default, the Logical Processor option is set to Enabled .
QPI Speed	Allows you to set the QuickPath Interconnect data rate settings. Processor supports QPI data rates of 6.4 , 7.2 , and 8.0 GT/s. By default, the QPI Speed option is set to Maximum data rate .
Virtualization Technology	Allows you to enable or disable the additional hardware capabilities provided for virtualization. By default, the Virtualization Technology option is set to Enabled .

Menu Item	Description
Adjacent Cache Line Prefetch	Allows you to optimize the system for applications that require high utilization of sequential memory access. By default, the Adjacent Cache Line Prefetch option is set to Enabled . You can disable this option for applications that require high utilization of random memory access.
Hardware Prefetcher	Allows you to enable or disable hardware prefetcher. By default, the Hardware Prefetcher option is set to Enabled .
DCU Streamer Prefetcher	Allows you to enable or disable Data Cache Unit streamer prefetcher. By default, the DCU Streamer Prefetcher option is set to Enabled .
DCU IP Prefetcher	Allows you to enable or disable Data Cache Unit IP prefetcher. By default, the DCU IP Prefetcher option is set to Enabled .
Execute Disable	Allows you enable or disable execute disable memory protection technology. By default, the Execute Disable option is set to Enabled .
Logical Processor Idling	Allows you to enable or disable the OS capability to put logical processors in the idling state in order to reduce power consumption. By default, the option is set to Disabled .
Number of Cores per Processor	Allows you to control the number of enabled cores in each processor. By default, the Number of Cores per Processor option is set to All .
Processor 64-bit Support	Specifies if the processor(s) support 64-bit extensions.
Processor Core Speed	Displays the maximum core frequency of the processor.
Processor Bus Speed	Displays the bus speed of the processors.  NOTE: The processor bus speed option displays only when all four processors are installed.
Processor 1	 NOTE: The following settings are displayed for each processor installed in the system.
Family-Model-Stepping	Displays the family, model and stepping of the processor as defined by Intel.
Brand	Displays the brand name reported by the processor.
Level 2 Cache	Displays the total L2 cache.
Level 3 Cache	Displays the total L3 cache.
Number of Cores	Displays the number of cores per processor.


SATA Settings Screen



Menu Item	Description
Embedded SATA	Allows the embedded SATA to be set to Off, ATA, AHCI, or RAID mode. By default, Embedded SATA is set to AHCI Mode .
Port A	Auto enables BIOS support for the optical device attached to SATA port A. By default, Port A is set to Auto .

Boot Settings Screen



Menu Item	Description
Boot Mode	<p>Allows you to set the boot mode of the system.</p> <p> CAUTION: Switching the boot mode may prevent the system from booting if the operating system is not installed in the same boot mode.</p> <p>If the operating system supports UEFI, you can set this option to UEFI. Setting this field to BIOS allows compatibility with non-UEFI operating systems. By default, the Boot Mode option is set to BIOS.</p> <p> NOTE: Setting this field to UEFI disables BIOS Boot Settings menu. Setting this field to BIOS disables the UEFI Boot Settings menu.</p>
Boot Sequence Retry	<p>Allows you to enable or disable the boot sequence retry feature. If this field is enabled and the system fails to boot, the system reattempts the boot sequence after 30 seconds. By default, the Boot Sequence Retry option is set to Disabled.</p>
BIOS Boot Settings	<p>Allows you to enable or disable BIOS Boot options.</p> <p> NOTE: This option is enabled only if the boot mode is BIOS.</p>
UEFI Boot Settings	<p>Allows you to enable or disable UEFI Boot options. The Boot options include IPv4 PXE and IPv6 PXE. By default, the UEFI PXE boot protocol is set to IPv4.</p> <p> NOTE: This option is enabled only if the boot mode is UEFI.</p>
One-Time Boot	<p>Allows you to enable or disable a one-time boot from a selected device.</p>

Integrated Devices Screen

Menu Item	Description
Integrated RAID Controller	<p>Allows you to enable or disable the integrated RAID controller. By default, the Integrated RAID Controller option is set to Enabled.</p>
User Accessible USB Ports	<p>Allows you enable or disable the user accessible USB ports. Selecting Only Back Ports On disables the front USB ports and selecting All Ports Off disables both front and back USB ports. By default, the User Accessible USB Ports option is set to All Ports On.</p>
Internal USB Port	<p>Allows you to enable or disable the internal USB port. By default, the Internal USB Port option is set to On.</p>
Internal SD Card Port	<p>Enables or disables the system's internal SD card port. By default, Internal SD Card Port option is set to On.</p> <p> NOTE: This option is displayed only if IDSDM is installed on the system board.</p>
Internal SD Card Redundancy	<p>If set to Mirror mode, data is written on both SD cards. If any one of the SD card fails, data is written to the active SD card. Data from this card is copied to the replacement SD card at the next boot. By default, Internal SD Card Redundancy option is set to Mirror.</p>




Menu Item	Description
	 NOTE: This option is displayed only if IDSDM is installed on the system board.
Integrated Network Card 1	Allows you to enable or disable the integrated network card 1. By default, the Integrated Network Card 1 option is set to Enabled .
OS Watchdog Timer	Allows you to enable or disable the OS watchdog timer. When this field is enabled, the operating system initializes the timer and the OS watchdog timer helps in recovering the operating system. By default, the OS Watchdog Timer option is set to Disabled .
I/OAT DMA Engine	Allows you to enable or disable the I/O Acceleration Technology (i/OAT) option. By default I/OAT DMA Engine it is disabled.
Embedded Video Controller	Allows you to enable or disable the Embedded Video Controller . By default, the embedded video controller is Enabled .
SR-IOV Global Enable	Allows you to enable or disable the BIOS configuration of Single Root I/O Virtualization (SR-IOV) devices. By default, the SR-IOV Global Enable option is set to Disabled .
Slot Disablement	Allows you to enable or disable available PCIe slots on your system. The Slot Disablement feature controls the configuration of PCIe cards installed in the specified slot.  CAUTION: Slot disablement must be used only when the installed peripheral card is preventing booting into the Operating System or causing delays in system startup. If the slot is disabled, both the Option ROM and UEFI driver are disabled.

Serial Communications Screen



Menu Item	Description
Serial Communication	Allows you to select serial communication devices (Serial Device 1 and Serial Device 2) in the BIOS. BIOS console redirection can also be enabled and the port address can be specified. By default, Serial Communication option is set to On without Console Redirection .
Serial Port Address	Allows you to set the port address for serial devices. By default, the Serial Port Address option is set to Serial Device 1=COM2, Serial Device 2=COM1 .  NOTE: Only Serial Device 2 can be used for Serial Over LAN (SOL). To use console redirection by SOL, configure the same port address for console redirection and the serial device.
External Serial Connector	Allows you to associate the external serial connector to serial device 1, serial device 2, or remote access device. By default, the External Serial Connector option is set to Serial Device1 .  NOTE: Only Serial Device 2 can be used for SOL. To use console redirection by SOL, configure the same port address for console redirection and the serial device.
Failsafe Baud Rate	Displays the failsafe baud rate for console redirection. The BIOS attempts to determine the baud rate automatically. This failsafe baud rate is used only if the attempt fails and the value must not be changed. By default, the Failsafe Baud Rate option is set to 11520 .
Remote Terminal Type	Allows you to set the remote console terminal type. By default, the Remote Terminal Type option is set to VT 100/VT 220 .

Menu Item	Description
Redirection After Boot	Allows you to enable or disable to the BIOS console redirection when the operating system is loaded. By default, the Redirection After Boot option is set to Enabled .


System Profile Settings Screen

Menu Item	Description
System Profile	Allows you to set the system profile. If you set the System Profile option to a mode other than Custom , the BIOS automatically sets the rest of the options. You can only change the rest of the options if the mode is set to Custom . By default, the System Profile option is set to Performance Per Watt Optimized (DAPC) . DAPC is Dell Active Power Controller.  NOTE: The following parameters are available only when the System Profile is set to Custom .
CPU Power Management	Allows you to set the CPU power management. By default, the CPU Power Management option is set to System DBPM (DAPC) . DBPM is Demand-Based Power Management.
Memory Frequency	Allows you to set the memory frequency. By default, the Memory Frequency option is set to Maximum Performance .
Turbo Boost	Allows you to enable or disable the processor to operate in turbo boost mode. By default, the Turbo Boost option is set to Enabled .
C1E	Allows you to enable or disable the processor to switch to a minimum performance state when it is idle. By default, the C1E option is set to Enabled .
C States	Allows you to enable or disable the processor to operate in all available power states. By default, the C States option is set to Enabled .
Monitor/Mwait	Allows you to enable Monitor/Mwait instructions in the processor. By default, the Monitor/Mwait option is set to Enabled for all system profiles, except Custom .  NOTE: This option can be disabled only if the C States option in Custom mode is disabled.  NOTE: When C States is enabled in Custom mode, changing the Monitor/Mwait setting does not impact system power/performance.
Memory Patrol Scrub	Allows you to set the memory patrol scrub frequency. By default, the Memory Patrol Scrub option is set to Standard .
Memory Refresh Rate	Allows you to set the memory refresh rate. By default, the Memory Refresh Rate option is set to 1x .
Memory Operating Voltage	Allows you to set the DIMM voltage selection. When set to Auto , the system automatically sets the system voltage to the optimal setting based on the DIMM capacity and the number of DIMMs installed. By default, the Memory Operating Voltage option is set to Auto .
Collaborative CPU Performance Control	When set to Enabled , the CPU power management is controlled by the OS DBPM and the System DBPM (DAPC). By default, the option is set to Disabled .

System Security Screen

Menu Item	Description
Intel AES-NI	The Intel AES-NI option improves the speed of applications by performing encryption and decryption using the Advanced Encryption Standard Instruction Set and is set to Enabled by default.
System Password	Allows you to set the system password. This option is read-only if the password jumper is not installed in the system.
Setup Password	Allows you to set the setup password. This option is read-only if the password jumper is not installed in the system.
Password Status	Allows you to lock the system password. By default, the Password Status option is set to Unlocked .
TPM Security	Allows you to control the reporting mode of the Trusted Platform Module (TPM). By default, the TPM Security option is set to Off . You can only modify the TPM Status, TPM Activation, and Intel TXT fields if the TPM Status field is set to either On with Pre-boot Measurements or On without Pre-boot Measurements .  NOTE: If, On with Pre-boot measurements or On without Pre-boot measurements option is selected following warning message is displayed: A system password or setup password is recommended with this TPM security settings.
TPM Activation	Allows you to change the operational state of the TPM. By default, the TPM Activation option is set to No Change .
TPM Status	Displays the TPM status.
TPM Clear	 CAUTION: Clearing the TPM results in loss of all keys in the TPM. The loss of TPM keys may affect booting to the operating system. Allows you to clear all the contents of the TPM. By default, the TPM Clear option is set to No .
Intel TXT	Allows you enable or disable Intel Trusted Execution Technology. To enable Intel TXT , Virtualization Technology must be enabled and TPM Security must be Enabled with Pre-boot measurements. By default, the Intel TXT option is set to Off .
Power Button	Allows you to enable or disable the power button on the front of the system. By default, the Power Button option is set to Enabled .
NMI Button	Allows you to enable or disable the NMI button on the front of the system. By default, the NMI Button option is set to Disabled .
AC Power Recovery	Allows you to set how the system reacts after AC power is restored to the system. By default, the AC Power Recovery option is set to Last .
AC Power Recovery Delay	Allows you to set how the system supports staggering of power-up after AC power is restored to the system. By default, the AC Power Recovery Delay option is set to Immediate .
User Defined Delay (60s to 240s)	Allows you to set the User Defined Delay when the User Defined option for AC Power Recovery Delay is selected. By default, the User Defined Delay (60s to 240s) option is set to 60 .


Miscellaneous Settings


Menu Item	Description
System Time	Allows you to set the time on the system.
System Date	Allows you to set the date on the system.
Asset Tag	Displays the asset tag and allows you to modify it for security and tracking purposes.
Keyboard NumLock	Allows you to set whether the system boots with the NumLock enabled or disabled. By default the Keyboard NumLock is set to On .  NOTE: This option does not apply to 84-key keyboards.
Report Keyboard Errors	Allows you to set whether keyboard-related error messages are reported during system boot. By default, the Report Keyboard Errors option is set to Report .
F1/F2 Prompt on Error	Allows you to enable or disable the F1/F2 prompt on error. By default, F1/F2 Prompt on Error is set to Enabled .
In-System Characterization	This option enables or disables In-System Characterization . By default, In-System Characterization is set to Enabled .


System And Setup Password Features

You can create a system password and a setup password to secure your system. To enable creation of the system and setup password, the password jumper must be set to enabled. For more information on the password jumper settings, see System Board Jumper Settings.


System password	This is the password that you must enter before you can boot your system.
Setup password	This is the password that you must enter to access and make changes to the BIOS or UEFI settings of your system.

 **CAUTION:** The password features provide a basic level of security for the data on your system.

 **CAUTION:** Anyone can access the data stored on your system if the system is running and unattended.

 **NOTE:** Your system is shipped with the system and setup password feature disabled.

Assigning A System And/Or Setup Password

 **NOTE:** The password jumper enables or disables the System Password and Setup Password features. For more information on the password jumper settings, see System Board Jumper Settings.

You can assign a new **System Password** and/or **Setup Password** or change an existing **System Password** and/or **Setup Password** only when the password jumper setting is enabled and **Password Status** is **Unlocked**. If the Password Status is **Locked**, you cannot change the System Password and/or Setup Password.


If the password jumper setting is disabled, the existing System Password and Setup Password is deleted and you need not provide the system password to boot the system.

To assign a system and/or setup password:

1. To enter System Setup, press <F2> immediately after a power-on or reboot.
2. In the **System Setup Main Menu**, select **System BIOS** and press <Enter>. The **System BIOS** screen is displayed.
3. In the **System BIOS** screen, select **System Security** and press <Enter>. The **System Security** screen is displayed.
4. In the **System Security** screen, verify that **Password Status** is **Unlocked**.
5. Select **System Password**, enter your system password, and press <Enter> or <Tab>. Use the following guidelines to assign the system password:
 - A password can have up to 32 characters.
 - The password can contain the numbers 0 through 9.
 - Only lower case letters are valid, upper case letters are not allowed.
 - Only the following special characters are allowed: space, ("), (+), (.), (-), (.), (/), (;), (I), (\), (l), (^).

A message prompts you to re-enter the system password.

6. Re-enter the system password that you entered earlier and click **OK**.
7. Select **Setup Password**, enter your system password and press <Enter> or <Tab>. A message prompts you to re-enter the setup password.
8. Re-enter the setup password that you entered earlier and click **OK**.
9. Press <Esc> to return to the System BIOS screen. Press <Esc> again, and a message prompts you to save the changes.


 **NOTE:** Password protection does not take effect until the system reboots.

Deleting Or Changing An Existing System And/Or Setup Password


Ensure that the Password jumper is set to enabled and the **Password Status** is **Unlocked** before attempting to delete or change the existing System and/or Setup password. You cannot delete or change an existing System or Setup password if the **Password Status** is **Locked**.

To delete or change the existing System and/or Setup password:


1. To enter System Setup, press <F2> immediately after a power-on or restart.
2. In the **System Setup Main Menu**, select **System BIOS** and press <Enter>. The **System BIOS** screen is displayed.
3. In the **System BIOS Screen**, select **System Security** and press <Enter>. The **System Security** screen is displayed.
4. In the **System Security** screen, verify that **Password Status** is **Unlocked**.
5. Select **System Password**, alter or delete the existing system password and press <Enter> or <Tab>.
6. Select **Setup Password**, alter or delete the existing setup password and press <Enter> or <Tab>.

 **NOTE:** If you change the System and/or Setup password a message prompts you to re-enter the new password. If you delete the System and/or Setup password, a message prompts you to confirm the deletion.

7. Press <Esc> to return to the System BIOS screen. Press <Esc> again, and a message prompts you to save the changes.

 **NOTE:** You can disable password security while logging on to the system. To disable the password security, turn on or reboot your system, type your password and press <Ctrl><Enter>.

Using Your System Password To Secure Your System


 **NOTE:** If you have assigned a setup password, the system accepts your setup password as an alternate system password.

1. Turn on or reboot your system.
2. Type your password and press <Enter>.

When **Password Status** is **Locked**, type the password and press <Enter> when prompted at reboot.

If an incorrect system password is entered, the system displays a message and prompts you to re-enter your password. You have three attempts to enter the correct password. After the third unsuccessful attempt, the system displays an error message that the system has halted and must be powered down.

Even after you shut down and restart the system, the error message is displayed until the correct password is entered.

 **NOTE:** You can use the **Password Status** option in conjunction with the **System Password** and **Setup Password** options to protect your system from unauthorized changes.

Operating With A Setup Password Enabled


If **Setup Password** is **Enabled**, enter the correct setup password before modifying most of the System Setup options.

If you do not enter the correct password in three attempts, the system displays the message


```
Invalid Password! Number of unsuccessful password attempts: <x> System Halted!  
Must power down.
```

Even after you shut down and restart the system, the error message is displayed until the correct password is entered. The following options are exceptions:

- If **System Password** is not **Enabled** and is not locked through the **Password Status** option, you can assign a system password.
- You cannot disable or change an existing system password.

 **NOTE:** You can use the Password Status option in conjunction with the **Setup Password** option to protect the system password from unauthorized changes.

Entering The UEFI Boot Manager

 **NOTE:** Operating systems must be 64-bit UEFI-compatible (for example, Microsoft Windows Server 2008 x64 version) to be installed from the UEFI boot mode. DOS and 32-bit operating systems can only be installed from the BIOS boot mode.

The Boot Manager enables you to:


- Add, delete, and arrange boot options.
- Access System Setup and BIOS-level boot options without restarting.


To enter the Boot Manager:

1. Turn on or restart your system.
2. Press <F11> after you see the following message:
`<F11> = UEFI Boot Manager`

If your operating system begins to load before you press <F11>, allow the system to finish booting, and then restart your system and try again.

Using The Boot Manager Navigation Keys

Key	Description
Up arrow	Moves to the previous field.
Down arrow	Moves to the next field.
<Enter>	Allows you to type in a value in the selected field (if applicable) or follow the link in the field.
Spacebar	Expands or collapses a drop-down list, if applicable.
<Tab>	Moves to the next focus area.
	 NOTE: For the standard graphics browser only.
<Esc>	Moves to the previous page till you view the main screen. Pressing <Esc> in the main screen exits the Boot Manager and proceeds with system boot.
<F1>	Displays the System Setup help file.

 **NOTE:** For most of the options, any changes that you make are recorded but do not take effect until you restart the system.

Boot Manager Screen

Menu Item	Description
Continue Normal Boot	The system attempts to boot to devices starting with the first item in the boot order. If the boot attempt fails, the system continues with the next item in the boot order until the boot is successful or no more boot options are found.
BIOS Boot Menu	Displays the list of available BIOS boot options (marked with asterisks). Select the boot option you wish to use and press <Enter>.
UEFI Boot Menu	Displays the list of available UEFI boot options (marked with asterisks). Select the boot option you wish to use and press <Enter>. The UEFI Boot Menu enables you to Add Boot Option , Delete Boot Option , or Boot From File .
Driver Health Menu	Displays a list of the drivers installed on the system and their health status.
Launch System Setup	Enables you to access the System Setup.
Launch Lifecycle controller	Enables you to access the Lifecycle Controller menu.
System Utilities	Enables you to access the BIOS Update File Explorer, run the Dell Diagnostics program, and reboot the system.


UEFI Boot menu

Menu Item	Description
Select UEFI Boot Option	Displays the list of available UEFI boot options (marked with asterisks), select the boot option you wish to use and press <Enter>.

Menu Item	Description
Add Boot Option	Adds a new boot option.
Delete Boot Option	Deletes an existing boot option.
Boot From File	Sets a one-time boot option not included in the boot option list.

Embedded System Management


The Dell Lifecycle Controller provides advanced embedded systems management throughout the server's lifecycle. The Lifecycle Controller can be started during the boot sequence and can function independently of the operating system.

 **NOTE:** Certain platform configurations may not support the full set of features provided by the Lifecycle Controller.

For more information about setting up the Lifecycle Controller, configuring hardware and firmware, and deploying the operating system, see the Lifecycle Controller documentation at dell.com/support/manuals.

iDRAC Settings Utility

The iDRAC Settings utility is an interface to set up and configure the iDRAC parameters using UEFI. You can enable or disable various iDRAC parameters using the iDRAC Settings Utility.

 **NOTE:** Accessing some of the features on the iDRAC Settings Utility requires the iDRAC7 Enterprise License upgrade.

For more information on using iDRAC, see the *iDRAC7 User's Guide* at dell.com/esmanuals.


Entering The iDRAC Settings Utility

1. Turn on or restart the managed system.
2. Press <F2> during Power-on Self-test (POST).
3. In the System Setup Main Menu page, click **iDRAC Settings**.
The iDRAC Settings screen is displayed.

Changing The Thermal Settings

The iDRAC Settings utility enables you to select and customize the thermal control settings for your system.

1. Enter the iDRAC Settings utility.
2. Under **iDRAC Settings** → **Thermal** → **User Option**, select between the following options:
 - Default
 - Maximum Exhaust Temperature
 - Fan Speed Offset

 **NOTE:** When the **User Option** is set to the default **Auto** setting, the user option cannot be modified.

3. Set the **Maximum Air Exhaust Temperature** or the **Fan Speed Offset** fields.
4. Click **Back** → **Finish** → **Yes**.

Installing System Components


Recommended Tools

You may need the following items to perform the procedures in this section:

- Key to the system keylock
- #2 Phillips screwdriver
- 10 in-lb. torque tool
- Wrist grounding strap connected to ground

You may need the following tools for assembling cables for a DC power supply unit (PSU), when available:

- AMP 90871-1 hand-crimping tool or equivalent
- Wire-stripper pliers capable of removing insulation from size 10 AWG solid or stranded, insulated copper wire

 **NOTE:** Use alpha wire part number 3080 or equivalent (65/30 stranding).

Front Bezel (Optional)

Removing The Front Bezel

1. Unlock the keylock at the left end of the bezel.
2. Lift the release latch adjacent to the keylock.
3. Rotate the left end of the bezel away from the front panel.
4. Unhook the right end of the bezel and pull the bezel away from the system.

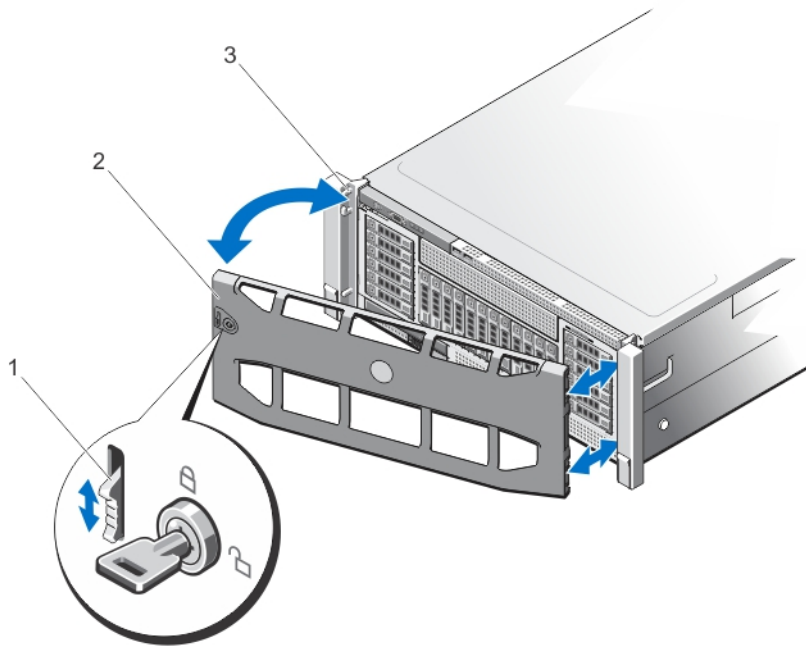


Figure 9. Removing and Installing the Front Bezel

- | | | | |
|----|---------------|----|-------------|
| 1. | release latch | 2. | front bezel |
| 3. | locking hooks | | |


Installing The Front Bezel

1. Hook the right end of the bezel onto the chassis.
2. Fit the free end of the bezel onto the chassis.
3. Secure the bezel with the keylock.

Opening And Closing The System

- ⚠ WARNING:** Whenever you need to lift the system, get others to assist you. To avoid injury, do not attempt to lift the system by yourself.
- ⚠ WARNING:** Opening or removing the system cover when the system is on may expose you to a risk of electric shock.
- ⚠ CAUTION:** Many repairs may only be done by a certified service technician. You should only perform troubleshooting and simple repairs as authorized in your product documentation, or as directed by the online or telephone service and support team. Damage due to servicing that is not authorized by Dell is not covered by your warranty. Read and follow the safety instructions that came with the product.
- ⚠ CAUTION:** Do not operate the system without the cover for a duration exceeding five minutes.

Opening The System

 **NOTE:** It is recommended that you always use a static mat and static strap while working on components inside the system.

1. Turn off the system and attached peripherals, and disconnect the system from the electrical outlet.
2. Rotate the latch release lock counter clockwise to the unlocked position.
3. Lift the latch on top of the system cover and slide the cover toward the back of the system, so that the front hooks and the hook-slots on the back edge of the cover are out of the chassis.
4. Grasp the cover on both sides and lift the cover away from the system.

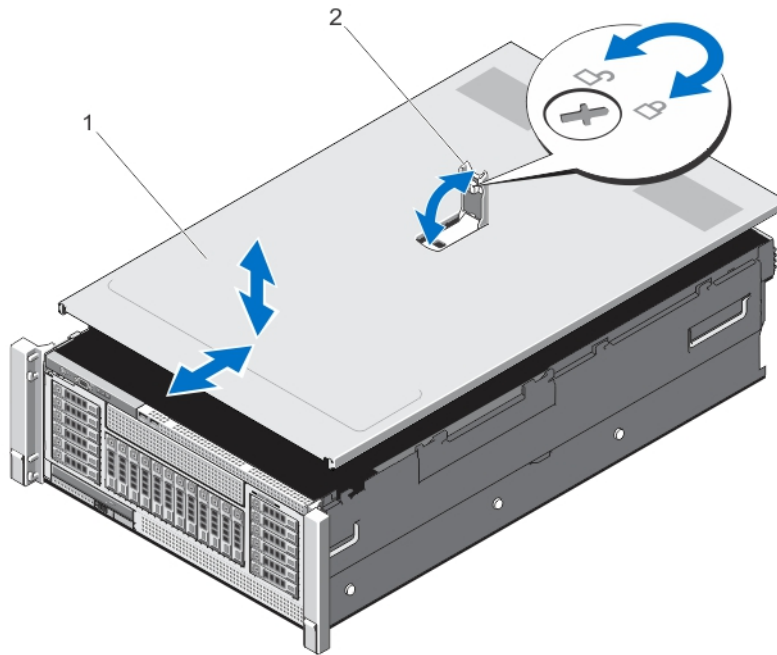


Figure 10. Opening and Closing the System

1. system cover

2. latch and release lock

Closing The System

1. Lift the latch on the cover.
2. Place the cover onto the chassis and offset the cover slightly back so that it clears the chassis hooks and lays flush on the chassis.
3. Slide the cover toward the front of the system so that the chassis hooks on the back edge of the system fit the corresponding slots on the cover and the hooks on the front edge of the cover fit the corresponding slots on the chassis.
4. Push down the latch to move the cover into the closed position.
5. Rotate the latch release lock in a clockwise direction to secure the cover.
6. Reconnect the system to its electrical outlet and turn the system on, including any attached peripherals.

Inside The System

CAUTION: Many repairs may only be done by a certified service technician. You should only perform troubleshooting and simple repairs as authorized in your product documentation, or as directed by the online or telephone service and support team. Damage due to servicing that is not authorized by Dell is not covered by your warranty. Read and follow the safety instructions that came with the product.

NOTE: Components that are hot-swappable are marked orange and touch points on the components are marked blue.

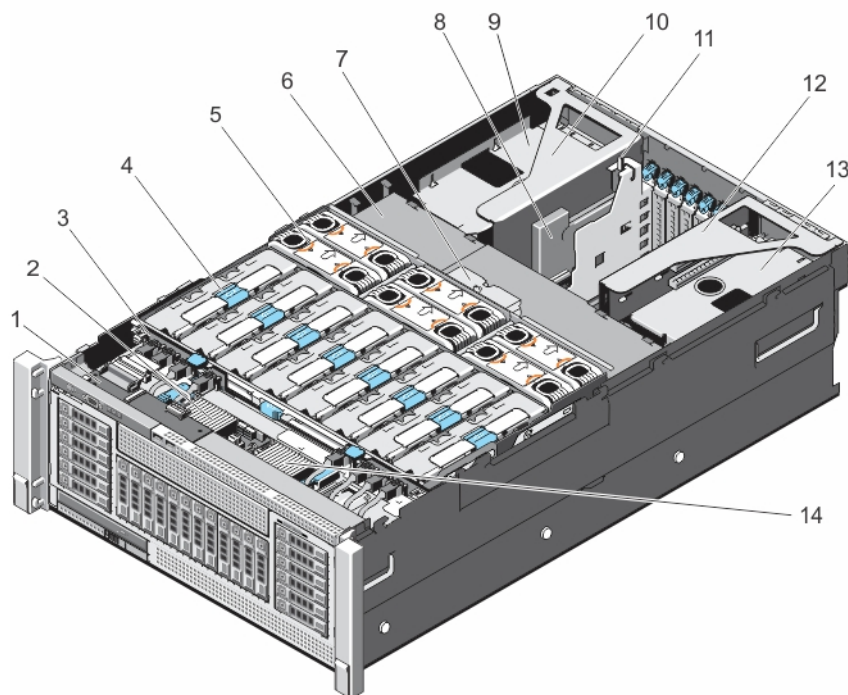




Figure 11. Inside the System

- | | | | |
|-----|---------------------------|-----|--|
| 1. | control panel board | 2. | SAS expander daughter card (secondary) |
| 3. | hard-drive backplane | 4. | memory riser (8) |
| 5. | cooling fan (6) | 6. | cable management tray |
| 7. | memory riser and fan cage | 8. | NDC |
| 9. | left power supply bay | 10. | left expansion-card riser assembly |
| 11. | chassis intrusion switch | 12. | right expansion-card riser assembly |
| 13. | right power supply bay | 14. | SAS expander daughter card (primary) |


Chassis Intrusion Switch

 **CAUTION:** Many repairs may only be done by a certified service technician. You should only perform troubleshooting and simple repairs as authorized in your product documentation, or as directed by the online or telephone service and support team. Damage due to servicing that is not authorized by Dell is not covered by your warranty. Read and follow the safety instructions that came with the product.

The chassis intrusion switch is located on the Network Daughter Card riser (riser 1), connected to the IO riser card. It is used to detect unauthorized access to the inside of the system. The intrusion is indicated on the Embedded Server Management (ESM) when the chassis cover is open.

 **NOTE:** If the intrusion cable is missing or not plugged-in, a notification is received in the ESM and intrusion status is not logged in the system event log.

Removing And Installing The Chassis Intrusion Switch Cable

1. Turn off the system, including any attached peripherals, and disconnect the system from the electrical outlet.
2. Open the system.
3. Locate the intrusion switch on the Network Daughter Card (NDC) riser or riser 1.
 **NOTE:** The chassis intrusion switch is detachable from the NDC riser. Ensure that it is not removed, so that the chassis intrusions are detected.
4. Remove the NDC riser. See [Removing the NDC Riser \(Riser 1\)](#).
The intrusion switch cable is on the I/O riser card.
5. Press and remove the intrusion switch cable connected to the intrusion switch.
The intrusion switch cable is unplugged. It is indicated in the ESM when the system is powered on.
6. Reconnect the intrusion switch cable to the IO riser card.
The intrusion switch cable is connected and the chassis intrusion status is indicated on the ESM when the system is powered on.
7. Install the NDC riser. See [Installing the NDC Riser \(Riser 1\)](#).
8. Close the system.
9. Reconnect your system and peripherals to their electrical outlets, and turn on the system.

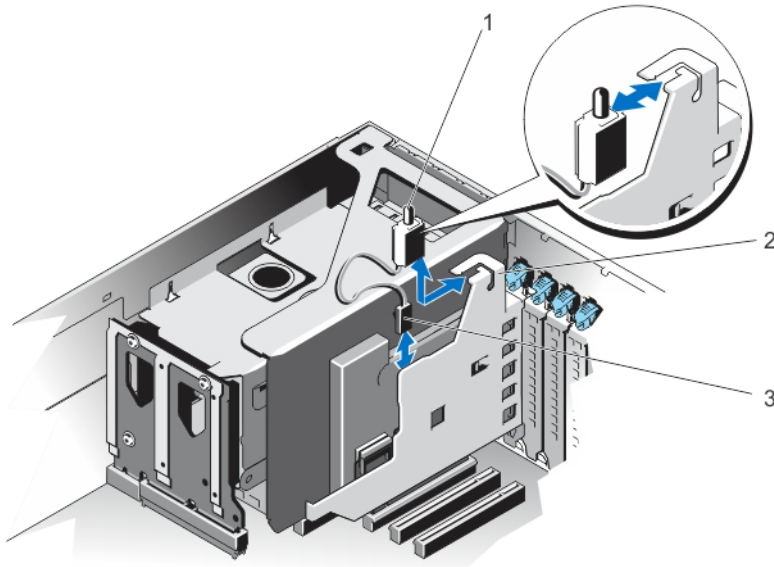


Figure 12. Removing and Installing the Chassis Intrusion Switch

- | | |
|--|--|
| <ol style="list-style-type: none"> 1. chassis intrusion switch 3. chassis intrusion switch cable | <ol style="list-style-type: none"> 2. NDC riser (riser 1) |
|--|--|

Cable Management Tray

The cable management tray is located above the processor heat sinks. It is used to route and manage the cables connecting the storage and expansion cards to various connectors on the backplane.

NOTE: Cable management tray also facilitates in maintaining the proper cooling of the system. It helps control airflow to the processors and the expansion-cards on risers, when the risers are installed.

Removing The Cable Management Tray

1. Turn off the system, including any attached peripherals, and disconnect the system from the electrical outlet.
2. Open the system.
3. Remove the memory risers. See [Removing a Memory Riser](#).
4. Remove the cooling fans. See [Removing A Cooling Fan](#).
5. Remove the memory riser and fan cage. See [Removing the Memory Riser and Fan cage](#).
6. To open the cable tray cover, press the release tab.
7. Remove the cables routed through the cable tray.
8. Press down on the cable tray hooks to free them of the slots on the side of the chassis wall.
9. Lift the cable tray out of the system.

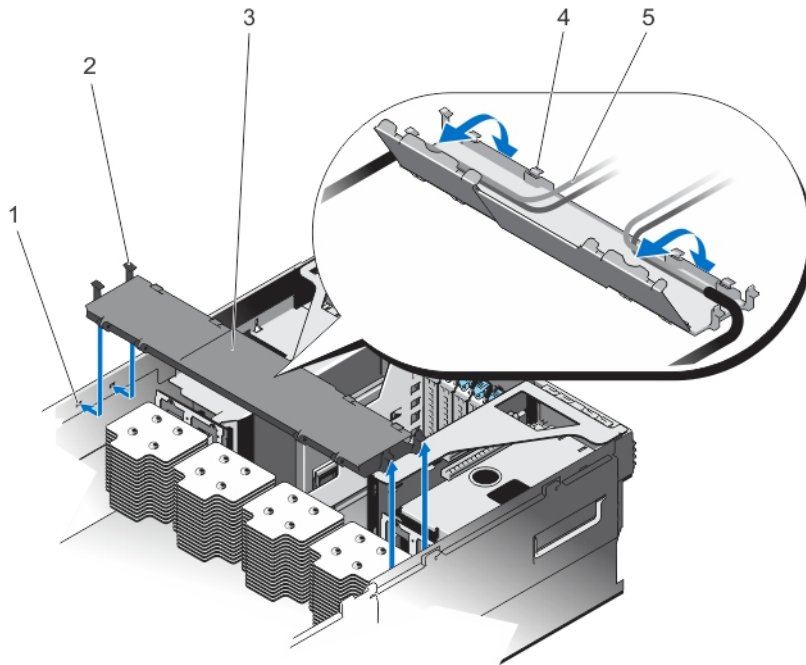


Figure 13. Removing and Installing the Cable Management Tray


- | | |
|------------------------|---------------------------------|
| 1. cable tray slot (4) | 2. cable tray hook (4) |
| 3. cable tray cover | 4. cable tray cover release tab |
| 5. cables (routed) | |

Installing The Cable Management Tray

1. Position the cable management tray above the processor heat sinks.
2. Lower the cable tray and insert the cable tray hooks into the slots on one side of the chassis.
3. Press the hooks so that they snap into the slots on the other side of the chassis.
4. Open the cable tray cover, using the release tab.
5. Route the required cables through the cable tray.
6. Close the cable tray cover.
7. Install the memory riser and fan cage. See [Installing the Memory Riser and Fan cage](#).
8. Install the cooling fans. See [Installing A Cooling Fan](#).
9. Install the memory risers. See [Installing a Memory Riser](#).
10. Close the system.
11. Reconnect the system to the electrical outlet and turn the system on, including any attached peripherals.

System Memory

Your system supports DDR3 ECC registered DIMMs (RDIMMs) and load reduced DIMMs (LRDIMMs) at DDR3 (1.5V) and DDR3L (1.35V) voltage specifications. It also supports single, dual, quad and octal rank DIMMs of upto 1600 MHz.

 **NOTE:** MT/s indicates DIMM speed in MegaTransfers per second.


Memory bus operating frequency can be 1066 MT/s, 1333 MT/s, and 1600 MT/s depending on:

- DIMM type (RDIMM and LRDIMM)
- DIMM configuration (number of ranks)
- Maximum frequency of the DIMMs
- Number of DIMMs populated per channel
- DIMM operating voltage
- System profile selected (for example, Performance Optimized, Custom, or Dense Configuration Optimized)
- Maximum supported DIMM frequency of the processors

The system memory contain 96 memory sockets organized into eight memory risers, split into four sets of two risers per processor. Each memory riser has:


- 12 DIMM sockets arranged into four channels. In each channel, the release levers of the first socket are marked white, the second socket black, and the third socket green.
- Two Scalable Memory Interconnect-2 (SMI-2) ports that help DIMMs to connect with the processor.
- Two Scalable Memory Buffers (SMB) that provide access to the DIMMs.

SMI-2 ports operate in two modes:

 **NOTE:** GT/s indicates memory bus speed in Giga transfers per second.

- Performance Mode (2:1) up to 2.66 GT/s for higher bandwidth.
- Lock Step Mode (1:1) up to 1.33 GT/s for higher DDR3 speeds and better RAS (Reliability, Availability, and Serviceability) features.

The maximum memory that is supported on your system varies according to the sizes of memory modules being used. Single, dual, quad, and octal-rank DIMMs of sizes 4 GB and 8 GB. The system also supports 16 GB RDIMM and 32 GB/64 GB of LRDIMMs memory for a total of up to 6 TB.

 **NOTE:** DIMMs in memory risers A and B are assigned to processor 1, C and D are assigned to processor 2, E and F are assigned to processor 3 and G and H are assigned to processor 4.

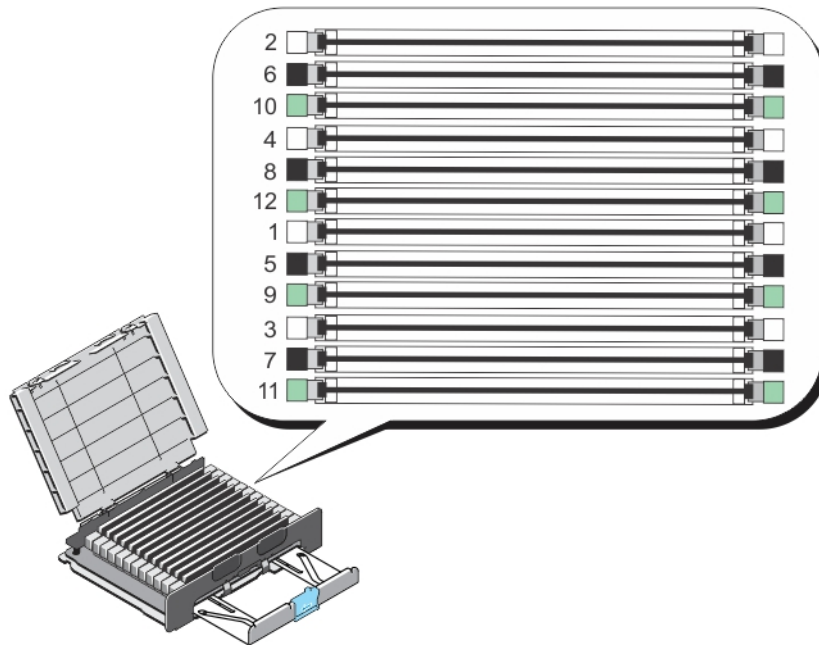


Figure 14. Memory Socket Locations

Memory channels are organized as follows:

- | | |
|--------------------|--|
| Processor 1 | channel 0: slots A1, A5, and A9
channel 1: slots A2, A6, and A10
channel 2: slots A3, A7, and A11
channel 3: slots A4, A8, and A12
channel 0: slots B1, B5, and B9
channel 1: slots B2, B6, and B10
channel 2: slots B3, B7, and B11
channel 3: slots B4, B8, and B12 |
| Processor 2 | channel 0: slots C1, C5, and C9
channel 1: slots C2, C6, and C10
channel 2: slots C3, B7, and C11
channel 3: slots C4, C8, and C12
channel 0: slots D1, D5, and D9
channel 1: slots D2, D6, and D10
channel 2: slots D3, D7, and D11
channel 3: slots D4, D8, and D12 |
| Processor 3 | channel 0: slots E1, E5, and E9
channel 1: slots E2, E6, and E10 |

Processor 4

channel 2: slots E3, E7, and E11

channel 3: slots E4, E8, and E12

channel 0: slots F1, F5, and F9

channel 1: slots F2, F6, and F10

channel 2: slots F3, F7, and F11

channel 3: slots F4, F8, and F12

channel 0: slots G1, G5, and G9

channel 1: slots G2, G6, and G10

channel 2: slots G3, G7, and G11

channel 3: slots G4, G8, and G12

channel 0: slots H1, H5, and H9

channel 1: slots H2, H6, and H10

channel 2: slots H3, H7, and H11

channel 3: slots H4, H8, and H12

The following table shows the memory populations and operating frequencies for the supported configurations (Performance Mode (2:1)).

DIMM Type	DIMMs Populated/ Channel (DPC)	DIMM Size	Operating Frequency (in MT/s)		Maximum DIMM Rank/ Channel
			DDR3 (1.5 V)	DDR3 (1.35 V)	
RDIMM	1	4 GB	1333 and 1066	1333 and 1066	Quad rank
	2	8 GB	1333	1066	Dual rank
	3	16 GB	1066	Not Applicable	Dual rank
LRDIMM	1	32 GB / 64 GB	1333 and 1066	1333	Quad rank physical
	2	32 GB / 64 GB	1333 and 1066	1333	Quad rank physical
	3	32 GB / 64 GB	1333 and 1066	Not Applicable	Quad rank physical

The following table shows the memory populations and operating frequencies for the supported configurations (Lock Step Mode (1:1)).

DIMM Type	DIMMs Populated/ Channel (DPC)	DIMM Size	Operating Frequency (in MT/s)		Maximum DIMM Rank/ Channel
			DDR3 (1.5 V)	DDR3 (1.35 V)	
RDIMM	1	4 GB	1600	1333 and 1066	Quad rank
	2	8 GB	1333	1066	Dual rank
	3	16 GB	1066	Not Applicable	Dual rank
LRDIMM	1	32 GB / 64 GB	1600	1333	Quad rank physical

DIMM Type	DIMMs Populated/ Channel (DPC)	DIMM Size	Operating Frequency (in MT/s)		Maximum DIMM Rank/ Channel
			DDR3 (1.5 V)	DDR3 (1.35 V)	
	2	32 GB / 64 GB	1600	1333	Quad rank physical
	3	32 GB / 64 GB	1333 and 1066	Not Applicable	Quad rank physical


General Memory Module Installation Guidelines

Your system supports Flexible Memory Configuration, enabling the system to be configured and run in any valid chipset architectural configuration. The following are the recommended guidelines for best performance:

- RDIMMs and LRDIMMs must not be mixed.
- x4 and x8 DRAM based DIMMs can be mixed. For more information, see Mode-Specific Guidelines.
- Populate only one quad-rank RDIMM per channel. The quad-rank RDIMM must be populated in the first slot with white release levers, while the second and third slots remain empty.
- Populate up to three dual- or single-rank RDIMMs per channel.
- Up to three quad rank LRDIMMs can be populated per channel.
- Up to three LRDIMMs can be populated regardless of rank count.
- Populate DIMM sockets only if a processor is installed. For dual-processor systems, sockets A1 to A12, B1 to B12 and sockets C1 to C12, D1 to D12 are available. Each processor requires a minimum of 2 DIMMs, which must be identical.
- Populate all sockets with white release lever first, then black, and then green.
- Populate the sockets by highest rank count in the following order — first in sockets with white release levers, then black, and then green. For example, if you want to mix quad-rank and dual-rank LRDIMMs, populate quad-rank LRDIMMs in the sockets with white release tabs and dual-rank LRDIMMs in the sockets with black release tabs.
- The memory configuration for each processor should be identical. For example, if you populate socket A1 and B1 for processor 1, then populate socket C1 and D1 for processor 2, and so on.
- Memory modules of different sizes can be mixed provided that other memory population rules are followed (for example, 4 GB and 8 GB, and 16 GB memory modules can be mixed).
- Populate four DIMMs per processor (one DIMM per channel) at a time to maximize performance.
- If memory modules with different speeds are installed, they will operate at the speed of the slowest installed memory module(s) or slower depending on system DIMM configuration.

Mode-Specific Guidelines

Four memory channels are allocated to each processor. The allowable configurations depend on the memory mode selected.

 **NOTE:** x4 and x8 DRAM based DIMMs can be mixed providing support for RAS features. However, all guidelines for specific RAS features must be followed. x4 DRAM based DIMMs retain Single Device Data Correction (SDDC) in memory optimized (independent channel) mode. x8 DRAM based DIMMs require Advanced ECC mode to gain SDDC.


The following sections provide additional slot population guidelines for each mode.

Advanced ECC (Lockstep)

Advanced ECC mode extends SDDC from x4 DRAM based DIMMs to both x4 and x8 DRAMs. This protects against single DRAM chip failures during normal operation.

Memory installation guidelines:


- Memory modules must be identical in size, speed, and technology.
- DIMMs installed in memory sockets with white release tabs must be identical and similar rule applies for sockets with black and green release tabs. This ensures that identical DIMMs are installed in matched pairs - for example, A1 with A2, A3 with A4, A5 with A6, and so on.

 **NOTE:** Advanced ECC with Mirroring is supported.

Memory Optimized (Independent Channel) Mode

This mode supports SDDC only for memory modules that use x4 device width and does not impose any specific slot population requirements.


Memory Sparing

 **NOTE:** To use memory sparing, this feature must be enabled in the System Setup.

In this mode, one rank per channel is reserved as a spare. If persistent correctable errors are detected on a rank, the data from this rank is copied to the spare rank and the failed rank is disabled.

With memory sparing enabled, the system memory available to the operating system is reduced by one rank per channel. For example, in a dual-processor configuration with sixteen 4 GB dual-rank DIMMs, the available system memory is: $3/4$ (ranks/channel) \times 16 (DIMMs) \times 4 GB = 48 GB, and not 16 (DIMMs) \times 4 GB = 64 GB.

 **NOTE:** Memory sparing does not offer protection against a multi-bit uncorrectable error.

 **NOTE:** Both Advanced ECC/Lockstep and Optimizer modes support Memory Sparing.

Memory Mirroring

Memory Mirroring offers the strongest DIMM reliability mode compared to all other modes, providing improved uncorrectable multi-bit failure protection. In a mirrored configuration, the total available system memory is one half of the total installed physical memory. Half of the installed memory is used to mirror the active DIMMs. In the event of an uncorrectable error, the system will switch over to the mirrored copy. This ensures SDDC and multi-bit protection.

Memory installation guidelines:

- Memory modules must be identical in size, speed, and technology.
- DIMMs installed in memory sockets with white release levers must be identical and similar rule applies for sockets with black and green release tabs. This ensures that identical DIMMs are installed in matched pairs - for example, A1 with A2, A3 with A4, A5 with A6, and so on.


Fault Resilient Memory

Fault Resilient Memory (FRM) mode operates with the parts of redundant system memory, leaving the rest of the system memory in non-mirror mode. It reduces the cost of memory mirroring by mirroring just the critical portion of memory versus mirroring the entire memory space. It provides additional flexibility to optimize cost, performance, or RAS by providing high degree of reliability to memory at lower cost than mirroring the entire system memory.

Memory Mirroring is a RAS feature that enables duplicating memory content at a remote DIMM in the partition. This capability enables high data availability from memory subsystem. Fault Resilient Memory enables you to select the segments of system memory that contains the most critical code.

Sample Memory Configurations

The following table shows sample memory configurations for a single processor that follow the appropriate memory guidelines stated in this section.

 **NOTE:** DIMMs populated must be identical for each riser. In the mirroring mode, only one of the two CPUs is populated.


 **NOTE:** 64GB LRDIMMs are supported by the system.

Table 2. Memory Configurations—Single Riser

Memory Mode	System Capacity (in GB)	DIMM Size (in GB)	Number of DIMMs	DIMM Slot Population for CPU 1 (Riser A and B)											
				2	6	10	4	8	12	1	5	9	3	7	11
Advanced ECC Lockstep	32	4	8	X			X			X			X		
	48	4	12	X			X			X	X		X	X	
	64	4	16	X	X		X	X		X	X		X	X	
	64	8	8	X			X			X			X		
	96	8	12	X			X			X	X		X	X	
	128	8	16	X	X		X	X		X	X		X	X	
	192	8	24	X	X	X	X	X	X	X	X	X	X	X	X
	64	16	4	X			X			X			X		
	96	16	6	X			X			X	X		X	X	
	128	16	8	X	X		X	X		X	X		X	X	
	128	32	4	X			X			X			X		
	192	32	6	X			X			X	X		X	X	
	256	32	8	X	X		X	X		X	X		X	X	
	384	32	12	X	X	X	X	X	X	X	X	X	X	X	X
	512	64	8	X			X			X			X		
	768	64	12	X			X			X	X		X	X	
1024	64	16	X	X		X	X		X	X		X	X		
1536	64	24	X	X	X	X	X	X	X	X	X	X	X	X	
Optimized Population (Independent Channel)	24	4	6	X						X			X		
	32	4	8	X			X			X			X		
	24	4	6	X						X			X		
	32	4	8	X			X			X			X		
	32	8	4	X			X			X			X		
	48	8	6	X						X			X		
	64	8	8	X			X			X			X		
	80	8	10	X			X			X	X		X		
	96	16	6	X						X			X		

Memory Mode	System Capacity (in GB)	DIMM Size (in GB)	Number of DIMMs	DIMM Slot Population for CPU 1 (Riser A and B)															
	128	16	8	X			X			X			X			X			
	96	16	6	X						X			X			X			
	128	16	8	X			X			X			X			X			
	192	32	6	X						X			X			X			
	256	32	8	X			X			X			X			X			
	192	32	6	X						X			X			X			
	256	32	8	X			X			X			X			X			
	384	32	12	X	X		X			X	X		X			X			
	384	64	6	X						X			X			X			
	512	64	8	X			X			X			X			X			
	Mirroring and Partial Mirroring	768	64	12	X	X		X			X	X		X			X		
1024		64	16	X	X		X	X		X	X		X	X		X			
1536		64	24	X	X	X	X	X	X	X	X	X	X	X	X	X			
32		4	8	X			X			X			X			X			
64		4	16	X	X		X	X		X	X		X	X		X			
96		4	24	X	X	X	X	X	X	X	X	X	X	X	X	X			
64		8	8	X			X			X			X			X			
128		8	16	X	X		X	X		X	X		X	X		X			
192		8	24	X	X	X	X	X	X	X	X	X	X	X	X	X			
128		16	8	X			X			X			X			X			
256		16	16	X	X		X	X		X	X		X	X		X			
384	16	24	X	X	X	X	X	X	X	X	X	X	X	X	X				
256	32	8	X			X			X			X			X				
512	32	16	X	X		X	X		X	X		X	X		X				
768	32	24	X	X	X	X	X	X	X	X	X	X	X	X	X				
512	64	8	X			X			X			X			X				
1024	64	16	X	X		X	X		X	X		X	X		X				
1536	64	24	X	X	X	X	X	X	X	X	X	X	X	X	X				

Removing A Memory-Riser Blank

△ CAUTION: Many repairs may only be done by a certified service technician. You should only perform troubleshooting and simple repairs as authorized in your product documentation, or as directed by the online or telephone service and support team. Damage due to servicing that is not authorized by Dell is not covered by your warranty. Read and follow the safety instructions that came with the product.

1. Turn off the system, including any attached peripherals, and disconnect the system from the electrical outlet.
2. Open the system.
3. Locate the memory riser blank in the memory cage.
4. Holding the slots on the memory riser blank, lift the memory-riser blank out of the system.

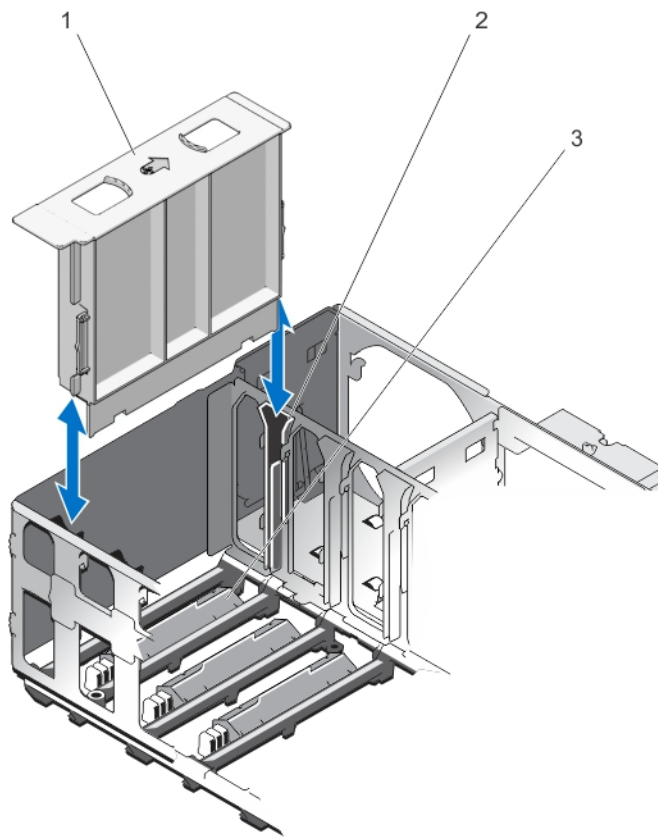



Figure 15. Removing and Installing the Memory Riser Blank


- | | |
|-----------------------------|----------------|
| 1. memory riser blank | 2. riser guide |
| 3. connector protective cap | |

Installing A Memory-Riser Blank

 **CAUTION:** Many repairs may only be done by a certified service technician. You should only perform troubleshooting and simple repairs as authorized in your product documentation, or as directed by the online or telephone service and support team. Damage due to servicing that is not authorized by Dell is not covered by your warranty. Read and follow the safety instructions that came with the product.

1. Align the memory-riser blank with the guides on the memory riser cage.
2. Insert the memory-riser blank firmly into the guide until it is fully seated.
3. Close the system.
4. Reconnect the system to its electrical outlet and turn the system on, including any attached peripherals.

Removing A Memory Riser

 **CAUTION:** Many repairs may only be done by a certified service technician. You should only perform troubleshooting and simple repairs as authorized in your product documentation, or as directed by the online or telephone service and support team. Damage due to servicing that is not authorized by Dell is not covered by your warranty. Read and follow the safety instructions that came with the product.

1. Turn off the system, including any attached peripherals, and disconnect the system from the electrical outlet.
2. Open the system.
3. Locate the memory riser in the memory cage.
4. For smooth releasing of handle, press the handle lock and then slide.
5. To release the memory riser handle, slide the handle lock on the memory riser, in the direction of arrow.
The memory riser handle pops out in the upward direction.
6. Hold the handle and pull the memory riser out of the chassis.

 **CAUTION:** To maintain proper system cooling, all empty memory-riser slots must have memory-riser blanks installed.

7. If applicable, install a memory-riser blank.
8. Close the system.
9. Reconnect the system to its electrical outlet and turn the system on, including any attached peripherals.

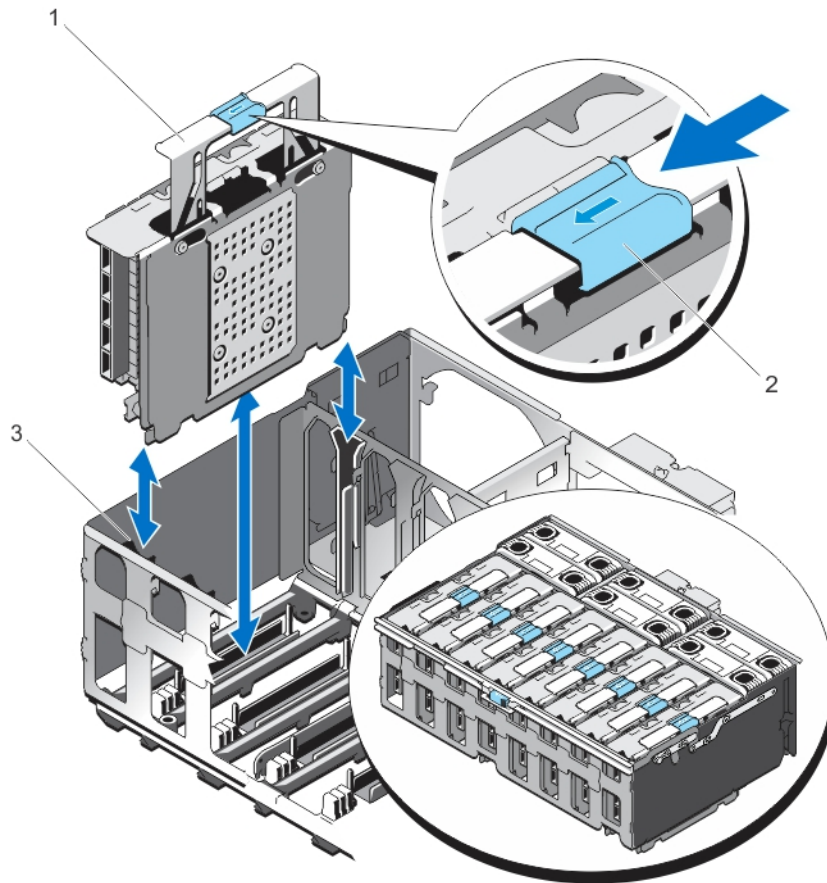


Figure 16. Removing and Installing the Memory Riser

- | | |
|---|---|
| <ol style="list-style-type: none"> 1. memory riser handle 3. memory riser guide | <ol style="list-style-type: none"> 2. memory riser handle lock |
|---|---|


Installing A Memory Riser

1. Turn off the system, including any attached peripherals, and disconnect the system from the electrical outlet.
2. Open the system.
3. If applicable, remove the memory-riser blank and orange protective cap on the memory riser connector.




⚠ CAUTION: Before installing the memory riser, you must ensure that the memory module socket ejectors are in the locked position. Also ensure cables from the hard drive backplane are placed in the cable latch and closed.

⚠ CAUTION: Use the memory riser handle, while installing and removing the memory risers. Handling the memory riser without using the handle may cause injury.

4. Hold the memory riser by the handle and align it with the memory-riser guide. Check for the **Airflow direction** arrow on the memory riser.
5. Hold by the handle, insert the memory riser firmly into the memory-riser guide until it is fully seated in the connector on the system board.

6. Press the handle down by pushing on the blue touch points and sliding the handle lock until it clicks into the locked position.
 -  **NOTE:** If the memory riser is not aligned with the riser guide, the memory riser will not slide smoothly into the slot. If the memory riser handle does not move down, check if the memory riser is properly seated in the memory-riser guide. The handle gets locked only when the memory riser is seated in the connector.
7. Close the system.
8. Reconnect the system to its electrical outlet and turn the system on, including any attached peripherals.

Removing Memory Modules From The Memory Riser

-  **WARNING:** The memory modules are hot to the touch for some time after the system has been powered down. Allow time for the memory modules to cool before handling them. Handle the memory modules by the card edges and avoid touching the components or metallic contacts on the memory module.
 -  **CAUTION:** Many repairs may only be done by a certified service technician. You should only perform troubleshooting and simple repairs as authorized in your product documentation, or as directed by the online or telephone service and support team. Damage due to servicing that is not authorized by Dell is not covered by your warranty. Read and follow the safety instructions that came with the product.
 -  **CAUTION:** To ensure proper system cooling, memory-module blanks must be installed in any memory socket that is not occupied. Remove memory-module blanks only if you intend to install memory modules in those sockets.
1. Turn off the system, including any attached peripherals, and disconnect the system from the electrical outlet and peripherals.
 2. Open the system.
 3. Locate and remove the memory risers. See [Removing a Memory Riser](#).
 4. To open the memory riser:
 - a. Push the **DIMM release** tabs on the memory riser in the direction of the arrows.
 - b. Open the memory riser cover.

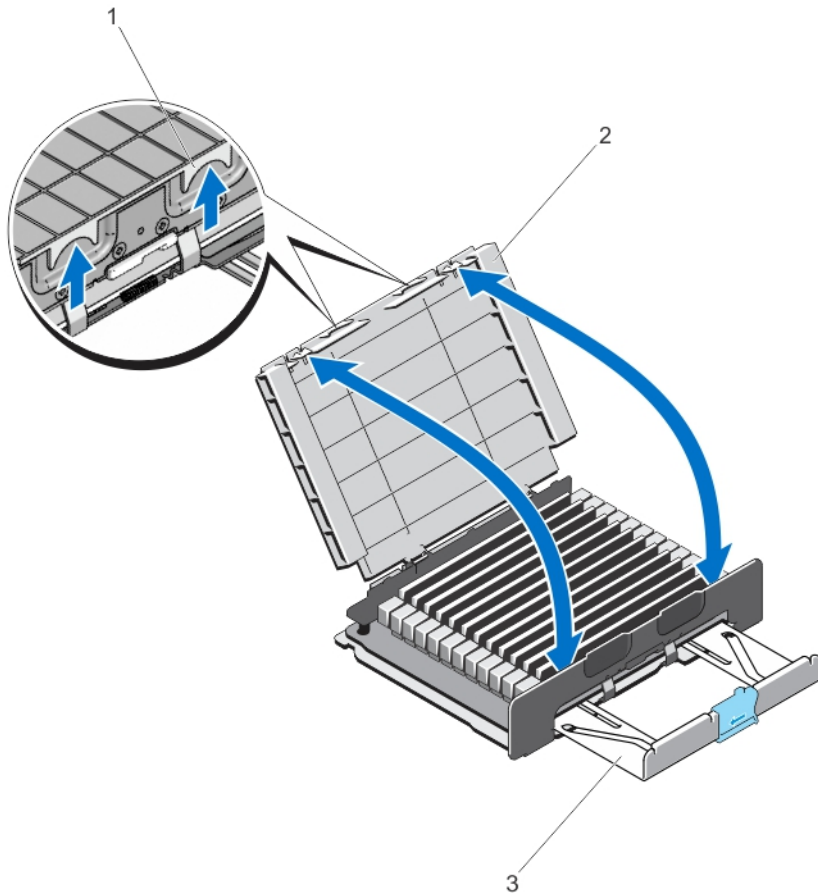


Figure 17. Opening and Closing the Memory Riser

1. memory riser release tabs
 2. memory riser cover
 3. memory riser handle
5. Locate the appropriate memory-module socket(s).
 6. To release the memory-module blank from the socket, simultaneously press the ejectors on both ends of the memory module socket.

⚠ CAUTION: Handle each memory module only by the card edges, making sure not to touch the middle of the memory module or metallic contacts. To avoid damaging the memory module, handle only one memory module at a time.

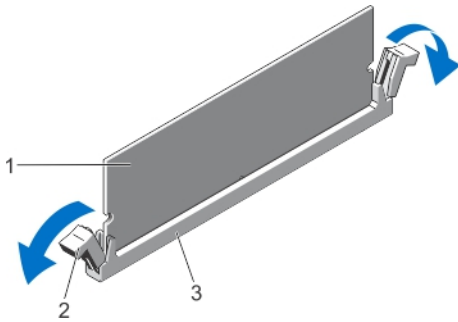



Figure 18. Ejecting The Memory Module

- | | |
|-------------------------|--------------------------------------|
| 1. memory module | 2. memory-module socket ejectors (2) |
| 3. memory-module socket | |

- If a memory module or a memory-module blank is installed in the socket, remove it.

 **NOTE:** Retain the removed memory-module blank(s) for future use.

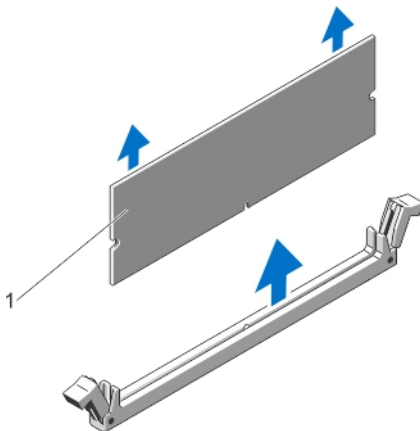



Figure 19. Removing The Memory Module

- memory module/memory-module blank

- Install memory-module blanks in vacant memory-module socket(s) to ensure proper system cooling..
- Close the memory riser cover.
- Install the memory risers. See [Installing a Memory Riser](#).
- Close the system.
- Reconnect the system to its electrical outlet and turn the system on, including any attached peripherals.

Installing Memory Modules

 **WARNING:** The memory modules are hot to the touch for some time after the system has been powered down. Allow time for the memory modules to cool before handling them. Handle the memory modules by the card edges and avoid touching the components or metallic contacts on the memory module.

 **CAUTION:** Many repairs may only be done by a certified service technician. You should only perform troubleshooting and simple repairs as authorized in your product documentation, or as directed by the online or telephone service and support team. Damage due to servicing that is not authorized by Dell is not covered by your warranty. Read and follow the safety instructions that came with the product.

CAUTION: To ensure proper system cooling, memory-module blanks must be installed in any memory socket that is not occupied. Remove memory-module blanks only if you intend to install memory modules in those sockets.

1. Turn off the system, including any attached peripherals, and disconnect the system from the electrical outlet.
2. Open the system.
3. Locate and remove the memory riser.
4. Push the **DIMM release** tabs on the memory riser and lift the memory riser cover in the direction of the arrows.
5. Locate the memory-module sockets.

CAUTION: Handle each memory module only by the card edges, making sure not to touch the middle of the memory module or metallic contacts. To avoid damaging the memory module, handle only one memory module at a time.

6. If a memory module or a memory-module blank is installed in the socket, remove it.

NOTE: Retain removed memory-module blank(s) for future use.

7. Align the memory-module's edge connector with the alignment key on the memory-module socket, and insert the memory module in the socket.

NOTE: The memory-module socket has an alignment key that allows you to install the memory module in the socket in only one orientation.

CAUTION: To prevent damage to the memory-module socket during installation, apply pressure at both ends of the memory module evenly. Do not apply pressure to the center of the memory module.

8. Press down on the memory module with your thumbs until the memory module snaps into place.

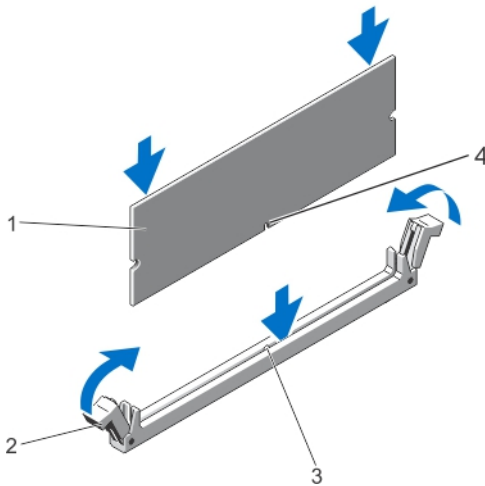


Figure 20. Installing The Memory Module

- | | |
|---------------------------------------|--------------------------------|
| 1. memory module | 2. memory-module ejectors |
| 3. memory-module socket alignment key | 4. memory-module alignment key |

NOTE: When the memory module is properly seated in the socket, the levers on the memory-module socket align with the levers on the other identical sockets that have memory modules installed.

9. Repeat step 5 through step 8 of this procedure to install the remaining memory modules.
10. Close the memory riser cover.
11. Install the memory riser.
12. Close the system.

13. Reconnect the system to its electrical outlet and turn on the system, including any attached peripherals.
14. Press <F2> to enter the System Setup, and check the memory settings.
The system should have already changed the value to reflect the newly installed memory.
15. If the value is incorrect, one or more of the memory modules may not be installed properly. Repeat step 5 through step 8 of this procedure, checking to ensure that the memory modules are firmly seated in their sockets.
16. Run the appropriate diagnostic test. For more information, see Using System Diagnostics.

Memory Riser And Fan Cage

Memory riser cage and fan cage (single unit) is located inside the system between the hard-drive backplane and the cable management tray, that is above the processor heat sinks.

Removing The Memory Riser And Fan Cage

1. Turn off the system, including any attached peripherals, and disconnect the system from the electrical outlet.
2. Open the system.
3. If applicable, remove the memory-riser blanks.
4. Remove memory risers.
5. Remove cooling fans.
6. Remove the memory riser and fan cage.
7. Remove the cable management tray.
8. Remove the backplane cables connected to the system board through the cage.
9. Locate the handle lock on the cage and slide the lock in the direction of the arrow.
10. Lift the cage holding the cage-handle and the back of the cage. Pull the memory riser and fan cage out of the system chassis.



NOTE: As the cage handle is located off-center, use the back of the cage to remove the memory riser and fan cage.

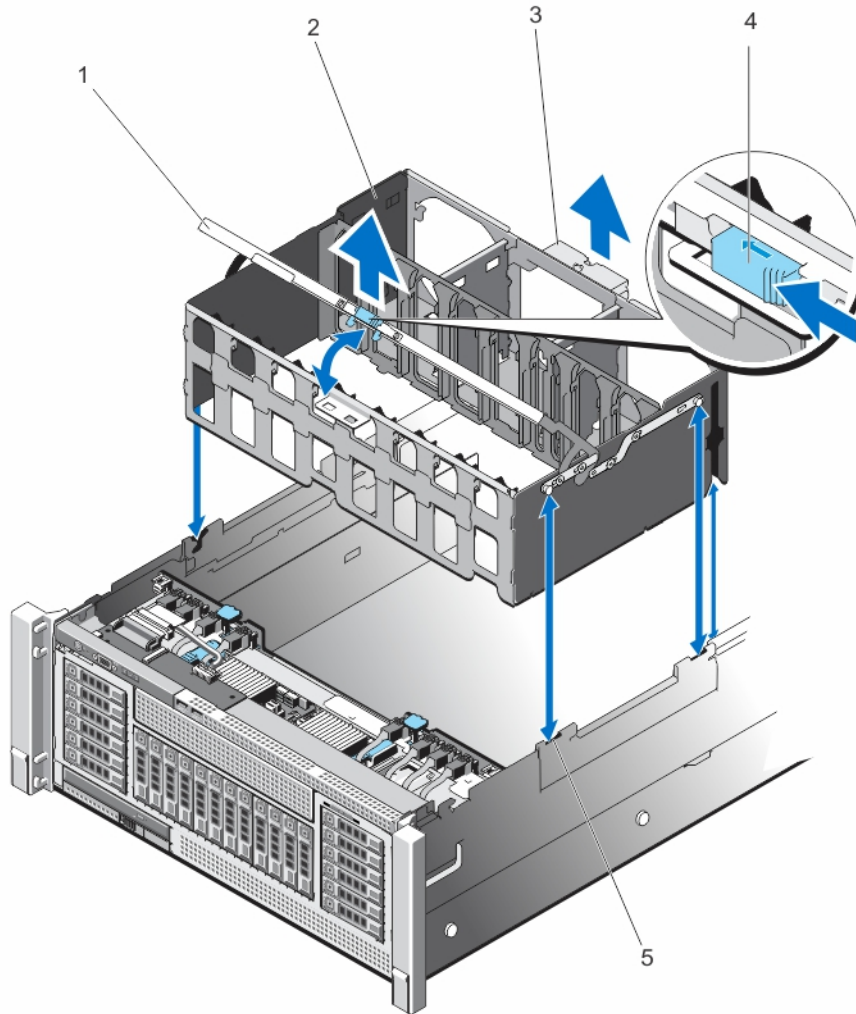


Figure 21. Removing and Installing the Memory Riser and Fan Cage

- | | |
|---|----------------|
| 1. memory riser and fan cage handle | 2. fan cage |
| 3. memory riser and fan cage back handle | 4. handle lock |
| 5. cage guides on the side of the chassis | |

Installing The Memory Riser And Fan Cage

NOTE: Before installing the memory riser and fan cage, ensure there are no loose cables from the hard-drive backplane. If the cables are not latched, the cage will not seat firmly into the chassis.

1. Lift the cage using the handle and align the memory riser and fan cage with the guides on the side of the chassis.
2. Using the handle, lower the memory riser and fan cage into the system until it is firmly seated on top of the fan tray on the system board.
3. Slide back the cage handle to its position, so that the handle lock snaps in locked position.
4. Install memory risers.
5. If applicable, install the memory-riser blanks.

6. Install cooling fans.
7. Close the system.
8. Reconnect the system to its electrical outlet and turn the system on, including any attached peripherals.

Hard Drives

All hard drives connect to the system board through the hard-drive backplane. Hard drives are supplied in hot-swappable hard-drive carriers that fit in the hard-drive slots.

CAUTION: Before attempting to remove or install a hard drive while the system is running, see the documentation for the storage controller card to ensure that the host adapter is configured correctly to support hot-swap hard drive removal and insertion.

CAUTION: Do not turn off or reboot your system while the hard drive is being formatted. Doing so can cause a hard drive failure.

NOTE: Use only hard drives that have been tested and approved for use with the hard-drive backplane.

When you format a hard drive, allow enough time for the formatting to be completed. Be aware that high-capacity hard drives can take a number of hours to format.

Removing A 2.5 Inch Hard-Drive Blank

CAUTION: To maintain proper system cooling, all empty hard-drive slots must have hard-drive blanks installed.

1. If installed, remove the front bezel.
2. Press the release button and slide the hard-drive blank out until it is free of the hard-drive slot.

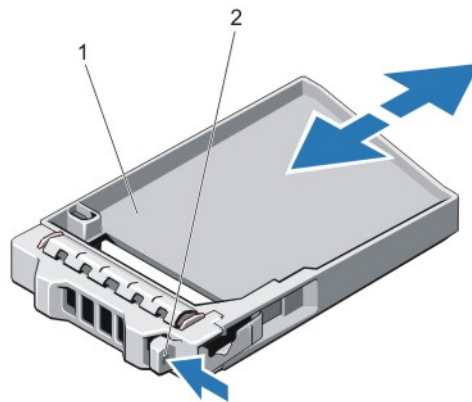


Figure 22. Removing and Installing a 2.5 Inch Hard-Drive Blank

1. hard-drive blank
2. release button

Installing A 2.5 Inch Hard-Drive Blank

1. If installed, remove the front bezel.
2. Insert the hard-drive blank into the hard-drive slot until the release button clicks into place.
3. If applicable, install the front bezel.

Removing A Hot-Swap Hard Drive

CAUTION: To prevent data loss, ensure that your operating system supports hot-swap drive installation. See the documentation supplied with your operating system.

1. From the management software, prepare the hard drive for removal. Wait until the indicators on the hard-drive carrier signal that the hard drive can be removed safely. For more information, see the documentation for the storage controller.

If the hard drive is online, the green activity/fault indicator flashes as the drive is turned off. When the hard-drive indicators are off, the hard drive is ready for removal.

2. Press the release button to open the hard-drive carrier release handle.
3. Slide the hard-drive carrier out until it is free of the hard-drive slot.

CAUTION: To maintain proper system cooling, all empty hard-drive slots must have hard-drive blanks installed.

4. Insert a hard-drive blank in the empty hard-drive slot.

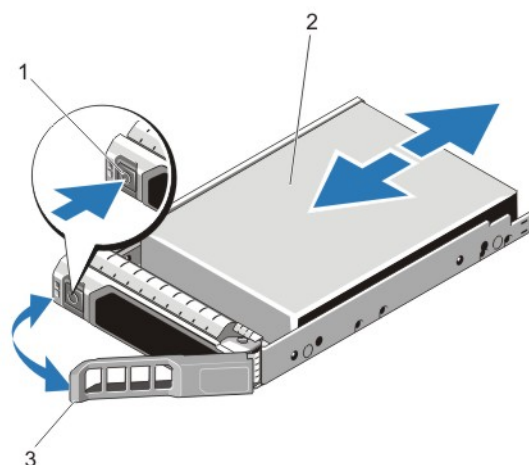


Figure 23. Removing and Installing a Hot-Swap Hard Drive

- | | |
|------------------------------|---------------|
| 1. release button | 2. hard drive |
| 3. hard-drive carrier handle | |

Installing A Hot-Swap Hard Drive

CAUTION: Many repairs may only be done by a certified service technician. You should only perform troubleshooting and simple repairs as authorized in your product documentation, or as directed by the online or telephone service and support team. Damage due to servicing that is not authorized by Dell is not covered by your warranty. Read and follow the safety instructions that came with the product.

CAUTION: Use only hard drives that have been tested and approved for use with the hard-drive backplane.

CAUTION: Combining SAS and SATA hard drives in the same RAID volume is not supported.

CAUTION: When installing a hard drive, ensure that the adjacent drives are fully installed. Inserting a hard-drive carrier and attempting to lock its handle next to a partially installed carrier can damage the partially installed carrier's shield spring and make it unusable.

- △ **CAUTION:** To prevent data loss, ensure that your operating system supports hot-swap drive installation. See the documentation supplied with your operating system.
- △ **CAUTION:** When a replacement hot-swappable hard drive is installed and the system is powered on, the hard drive automatically begins to rebuild. Make absolutely sure that the replacement hard drive is blank or contains data that you wish to have over-written. Any data on the replacement hard drive is immediately lost after the hard drive is installed.

1. If a hard-drive blank is installed in the hard-drive slot, remove it.
2. Install a hard drive in the hard-drive carrier.
3. Press the release button on the front of the hard-drive carrier and open the hard-drive carrier handle.
4. Insert the hard-drive carrier into the hard-drive slot until the carrier connects with the backplane.
5. Close the hard-drive carrier handle to lock the hard drive in place.

Removing A Hard Drive From A Hard-Drive Carrier

1. Remove the screws from the slide rails on the hard-drive carrier.
2. Lift the hard drive out of the hard-drive carrier.

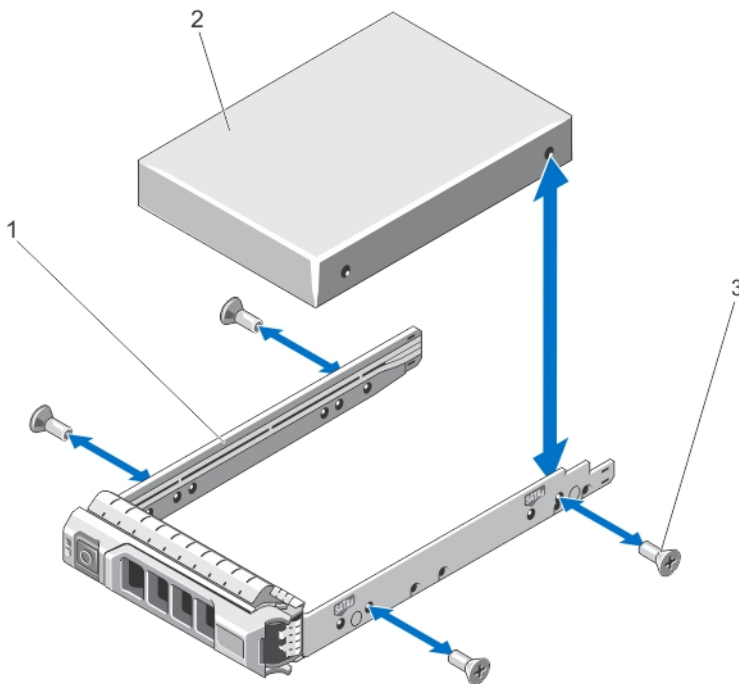



Figure 24. Removing and Installing a Hard Drive Into a Hard-Drive Carrier

1. hard-drive carrier
2. hard drive
3. screws (4)

Installing A Hard Drive Into A Hard-Drive Carrier


 **CAUTION:** Many repairs may only be done by a certified service technician. You should only perform troubleshooting and simple repairs as authorized in your product documentation, or as directed by the online or telephone service and support team. Damage due to servicing that is not authorized by Dell is not covered by your warranty. Read and follow the safety instructions that came with the product.

1. Insert the hard drive into the hard-drive carrier with the connector end of the hard drive toward the back.
2. Align the screw holes on the hard drive with the set of screw holes on the hard-drive carrier.
When aligned correctly, the back of the hard drive is flush with the back of the hard-drive carrier.
3. Attach the screws to secure the hard drive to the hard-drive carrier.


Optical Drive (Optional)

An optional DVD-ROM and DVD +/-RW optical drive slides into the front panel of the system and connects to the SATA controller on the system board.

Removing The Optical Drive

 **CAUTION:** Many repairs may only be done by a certified service technician. You should only perform troubleshooting and simple repairs as authorized in your product documentation, or as directed by the online or telephone service and support team. Damage due to servicing that is not authorized by Dell is not covered by your warranty. Read and follow the safety instructions that came with the product.

1. Turn off the system, including any attached peripherals, and disconnect the system from the electrical outlet and peripherals.
2. If installed, remove the front bezel.
3. Locate the optical drive on the front panel of the system.
4. Slide the ejector-handle button in the direction of the arrow.
The ejector handle pops out.
5. Use the ejector handle and pull the optical drive sled out of the system from the optical-drive slot.
6. Flex the left side wall of the optical sled to release the optical from the sled.

 **NOTE:** You do not need any tools to remove the optical drive from optical sled.

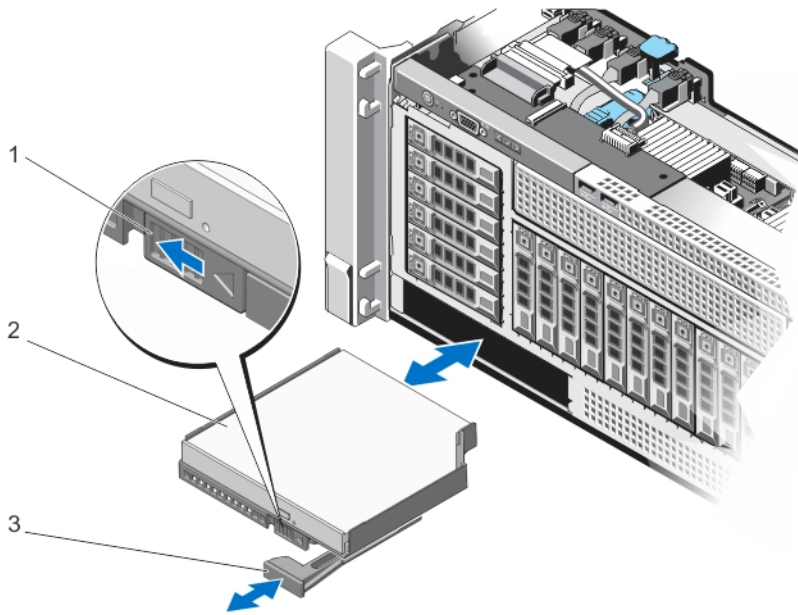


Figure 25. Removing and Installing the Optical Drive

- | | |
|--------------------------|-----------------------|
| 1. ejector-handle button | 2. optical drive sled |
| 3. ejector handle | |

Installing The Optical Drive

CAUTION: Many repairs may only be done by a certified service technician. You should only perform troubleshooting and simple repairs as authorized in your product documentation, or as directed by the online or telephone service and support team. Damage due to servicing that is not authorized by Dell is not covered by your warranty. Read and follow the safety instructions that came with the product.

NOTE: Installing an optical drive or optical blank to the optical sled does not require any tools. Follow the artwork printed on the optical sled.

1. Align the optical drive sled with the optical drive slot on the front of chassis.
2. Slide the optical drive sled into the slot until the optical drive connector engages with the SATA connector.
3. Close the system.
4. If applicable, install the front bezel.
5. Reconnect the system to its electrical outlet and turn the system on, including any attached peripherals.

Cooling Fans

Your system supports six hot-swappable cooling fans that are mounted in a memory riser and fan cage. These fans provide cooling for the processors, expansion cards, and memory modules. Individual fans are connected to the fan tray located below the fan cage. The fan tray is connected through a single 12x2 connector to the system board.

NOTE: In the event of a failure, excessive temperature, or a problem with a particular fan, the fan number is referenced by the ESM, allowing you to easily identify and replace the particular fan by noting the fan numbers on the cooling fan assembly.

⚠ WARNING: Do not place any physical obstructions in the front or rear of the chassis. This may cause a decrease in airflow, resulting in an over-heating condition.

Removing A Cooling Fan

⚠ WARNING: Opening or removing the system cover when the system is on may expose you to a risk of electric shock. Exercise utmost care while removing or installing cooling fans.

⚠ WARNING: Do not operate the system without the cooling fans or the cover.

⚠ CAUTION: Many repairs may only be done by a certified service technician. You should only perform troubleshooting and simple repairs as authorized in your product documentation, or as directed by the online or telephone service and support team. Damage due to servicing that is not authorized by Dell is not covered by your warranty. Read and follow the safety instructions that came with the product.

⚠ CAUTION: The cooling fans are hot-swappable. To maintain proper cooling while the system is on, replace only one fan at a time.

✍ NOTE: The procedure for removing each fan is identical.

1. Open the system.
2. Press the tabs on the top of the fan inward toward each other and lift the cooling fan out of the fan cage. The cooling fan slides out after it disengages from the connector on the fan tray.

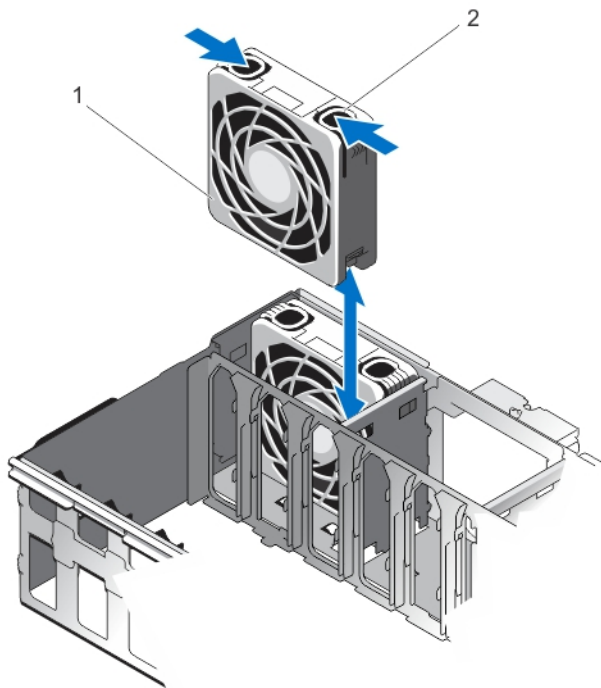



Figure 26. Removing and Installing a Cooling Fan

1. cooling fan

2. tab (2)

Installing A Cooling Fan

 **CAUTION:** Many repairs may only be done by a certified service technician. You should only perform troubleshooting and simple repairs as authorized in your product documentation, or as directed by the online or telephone service and support team. Damage due to servicing that is not authorized by Dell is not covered by your warranty. Read and follow the safety instructions that came with the product.

1. Orient the cooling fan such that the connector on the cooling fan aligns with the connector on the fan tray.
2. Holding the tabs on top of the fan, lower the fan into the fan cage until the tabs snap into place.
3. Close the system.

Removing The Fan Tray

1. Turn off the system, including any attached peripherals, and disconnect the system from the electrical outlet and peripherals.
2. Open the system.
3. Remove the memory risers.
4. Remove the cooling fans.
5. Remove the memory riser and fan cage.
6. Locate the fan board below the cooling fans and beside the processor heat sinks.
7. Using a #2 Phillips screwdriver, loosen the screws in order of the numbers printed on the fan tray (2 on the left and 1 on the right side of the tray) that secure the fan tray to the system board.
8. Disengage the fan tray from the connector on the system board.
9. Lift and remove the fan tray out of the system chassis.

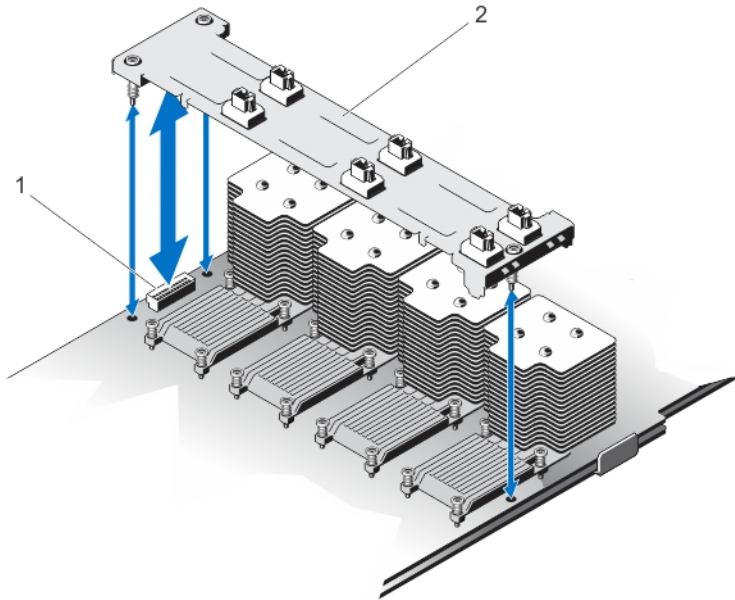


Figure 27. Removing and Installing the Fan Tray

- | | |
|-----------------------|-------------|
| 1. fan tray connector | 2. fan tray |
|-----------------------|-------------|


Installing The Fan tray

1. Align the fan tray with the connector and the screw holes on the system board.
2. Lower the fan tray and ensure that the fan tray connector engages with the connector on the system board.
3. Using a #2 Phillips screwdriver, tighten the fan tray screws (2 screws on the left and 1 screw on the right side) to the system board.
4. Install the memory riser and fan cage.
5. Install the cooling fans.
6. Install the memory risers.
7. Close the system.
8. Reconnect the system to its electrical outlet and turn the system on, including any attached peripherals.

Internal USB Memory Key (Optional)

An optional USB memory key installed on your system can be used as a boot device, security key, or mass storage device. The USB connector must be enabled by the **Internal USB Port** option in the **Integrated Devices** screen of the System Setup.

To boot from the USB memory key, configure the USB memory key with a boot image and then specify the USB memory key in the boot sequence in the System Setup.

 **NOTE:** To locate the internal USB connector (J_USB_INT) on the system board, see Chapter System Board Connectors.

Replacing The Internal USB Key

CAUTION: Many repairs may only be done by a certified service technician. You should only perform troubleshooting and simple repairs as authorized in your product documentation, or as directed by the online or telephone service and support team. Damage due to servicing that is not authorized by Dell is not covered by your warranty. Read and follow the safety instructions that came with the product.

1. Turn off the system, including any attached peripherals, and disconnect the system from the electrical outlet and peripherals.
2. Open the system.
3. Locate the USB connector / USB key on the system board. To locate the USB connector (USB_INT), see Chapter System Board Connectors.
4. If installed, remove the USB key.
5. Insert the USB key into the USB connector.
6. Close the system.
7. Reconnect the system to its electrical outlet and turn the system on, including any attached peripherals.
8. Enter the System Setup and verify that the USB key is detected by the system.

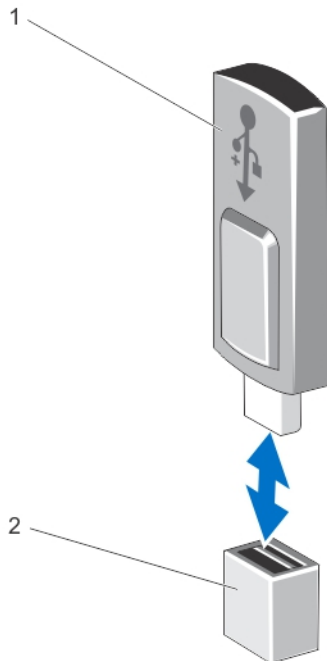


Figure 28. Replacing the Internal USB Key

1. USB memory key connector

2. USB memory key

Expansion Cards And Expansion-Card Risers

NOTE: A missing or an unsupported expansion-card riser logs an SEL event. It does not prevent your system from powering on and no BIOS POST message or F1/F2 pause is displayed.

Expansion Card Installation Guidelines

Your system supports third Generation 10 PCIe expansion card slots that include one dedicated slot for PERC 9 storage card and one dedicated riser-slot for Network Daughter Card (NDC).

Slot 1 connector functions as an x8 connector and can be extended as two x4 slots when the left I/O riser is installed.

Slot 9 connector functions as an x16 connector and can be extended as two x8 slots when the right I/O riser is installed.





 **NOTE:** Left and right optional risers supports Generation 2 expansion cards. Generation 3 expansion cards will be supported in future.

Table 3. Supported Expansion Cards

Riser	PCIe Slot	Processor Connection	Height	Length	Link Width	Slot Width
	1	Processor 1	Full Height	Half Length	x8	x24
1 (NDC riser)	2	Processor 1	Full Height	Half Length	x8	x16 - reversed
2 (optional)	1/1		Full Height	Full Length	x4	x8
	2/2		Full Height	Half Length	x4	x8
	3	Processor 1	Full Height	Half Length	x8	x16
	4	Processor 2	Full Height	Half Length	x16	x16
	5	Processor 2	Full Height	Half Length	x16	x16
	6	Processor 3	Full Height	Half Length	x16	x16
	7	Processor 3	Full Height	Half Length	x16	x16
	8	Processor 4	Full Height	Half Length	x16	x16
	9	Processor 4	Full Height	Half Length	x16	x24
3 (optional)	1/9		Full Height	Full Length	x8	x16
	2/10		Full Height	Half Length	x8	x16

 **NOTE:** If installed as a left I/O riser

 **NOTE:** If installed as a right I/O riser

 **NOTE:** The expansion cards are not hot-swappable. Ensure the AC power supply is completely removed before installing the expansion cards.

The following table provides guidelines for installing expansion cards to ensure proper cooling and mechanical fit. The expansion cards with the highest priority should be installed first using the slot priority indicated. All other expansion cards should be installed in card priority and slot priority order.

Table 4. Expansion Card Installation Order


Card Priority	Card Type	Form Factor	Slot Priority (Two Processors)	Slot Priority (Four Processors)	Max Allowed
1	Internal Storage (Integrated Slot)	Full Height	4	4,7	2
2	External Storage	Full Height	1*, 3, 4, 5, (1/1)*, (2/2)*	(1/9)^, (2/10)^, 1*, 3, 4, 5, 6, 7, 8, 9^, (1/1)*, (2/2)*	2
3	40 Gb Ethernet Controllers	Full Height	1*, 3, 4, 5, (1/1)*, (2/2)*	(1/9)^, (2/10)^, 1*, 3, 4, 5, 6, 7, 8, 9^, (1/1)*, (2/2)*	2
4	Fibre Channel 16 Gb, HBA, Single/Dual Port (Emulex)	Full Height	1*, 3, 4, 5, (1/1)*, (2/2)*	(1/9)^, (2/10)^, 1*, 3, 4, 5, 6, 7, 8, 9^, (1/1)*, (2/2)*	2
	Fibre Channel 16 Gb, HBA, Single/Dual Port (QLogic)	Full Height	(1/1)*, (2/2)*, 1*, 3, 4, 5	(1/1)*, (2/2)*, (1/9)^, (2/10)^, 1*, 3, 4, 5, 6, 7, 8, 9^	2
5	Converged Network Adapters	Full Height	1*, 3, 4, 5, (1/1)*, (2/2)*	(1/9)^, (2/10)^, 1*, 3, 4, 5, 6, 7, 8, 9^, (1/1)*, (2/2)*	4
6	10 Gb Ethernet Controllers	Full Height	1*, 3, 4, 5, (1/1)*, (2/2)*	(1/9)^, (2/10)^, 1*, 3, 4, 5, 6, 7, 8, 9^, (1/1)*, (2/2)*	4
7	Fibre Channel 8 Gb Dual Port (QLogic and Emulex)	Full Height	(1/1)*, (2/2)*, 1*, 3, 4, 5	(1/1)*, (2/2)*, (1/9)^, (2/10)^, 1*, 3, 4, 5, 6, 7, 8, 9^	4
	Fibre Channel 8 Gb Dual Port (Brocade)	Full Height	1*, 3, 4, 5, (1/1)*, (2/2)*	(1/9)^, (2/10)^, 1*, 3, 4, 5, 6, 7, 8, 9^, (1/1)*, (2/2)*	4
8	Fibre Channel 8 Gb Single Port (QLogic and Emulex)	Full Height	(1/1)*, (2/2)*, 1*, 3, 4, 5	(1/1)*, (2/2)*, (1/9)^, (2/10)^, 1*, 3, 4, 5, 6, 7, 8, 9^	4
	Fibre Channel 8 Gb Single Port (Brocade)	Full Height	1*, 3, 4, 5, (1/1)*, (2/2)*	(1/9)^, (2/10)^, 1*, 3, 4, 5, 6, 7, 8, 9^, (1/1)*, (2/2)*	4
9	1 Gb NICs	Full Height	(1/1)*, (2/2)*, 1*, 3, 4, 5	(1/1)*, (2/2)*, (1/9)^, (2/10)^, 1*, 3, 4, 5, 6, 7, 8, 9^	6
10	External Non-RAID Controller	Full Height	1*, 3, 4, 5, (1/1)*, (2/2)*	(1/9)^, (2/10)^, 1*, 3, 4, 5, 6, 7, 8, 9^, (1/1)*, (2/2)*	2

 **NOTE:**

(*) indicates that "Slot 1" is not available if the optional left PCIe expansion riser is installed.

(^) indicates that "Slot 9" is not available if the optional right PCIe expansion riser is installed.

Removing The Left Expansion Card Riser Blank

 **CAUTION:** Many repairs may only be done by a certified service technician. You should only perform troubleshooting and simple repairs as authorized in your product documentation, or as directed by the online or telephone service and support team. Damage due to servicing that is not authorized by Dell is not covered by your warranty. Read and follow the safety instructions that came with the product.

To remove the left expansion card riser blank:

1. Turn off the system, including any attached peripherals, and disconnect the system from the electrical outlet.
2. Open the system.
3. Slide the left riser blank to the left pressing on the metal tab.
4. Lift the riser blank up and away from the system.

Store the riser blank for future use.

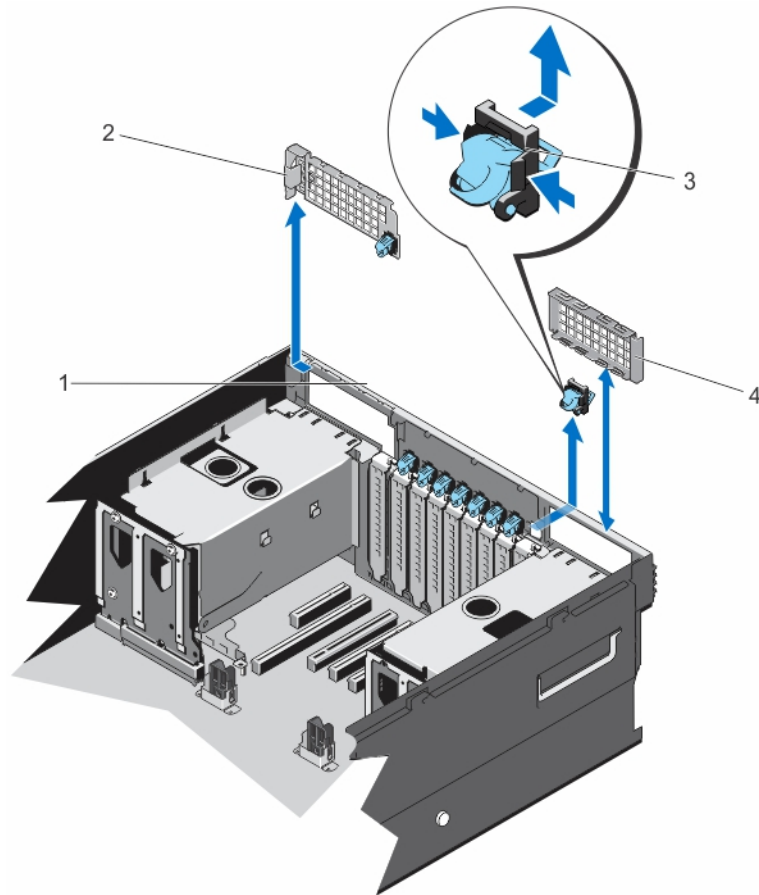


Figure 29. Removing and Installing The Left/Right Expansion Card Riser Blank

- | | |
|-------------------------|----------------------|
| 1. system chassis | 2. left riser blank |
| 3. PCI retention rocker | 4. right riser blank |


Installing The Left Expansion Card Riser Blank

CAUTION: Many repairs may only be done by a certified service technician. You should only perform troubleshooting and simple repairs as authorized in your product documentation, or as directed by the online or telephone service and support team. Damage due to servicing that is not authorized by Dell is not covered by your warranty. Read and follow the safety instructions that came with the product.

1. Turn off the system, including any attached peripherals, and disconnect the system from the electrical outlet.
2. Open the system.

3. Align the left riser blank with the corresponding slot on the back of the chassis.
4. Press down and slide the blank to the right to lock it in place and replace the PCI retention rocker.


Removing The Right Expansion Card Riser Blank

 **CAUTION:** Many repairs may only be done by a certified service technician. You should only perform troubleshooting and simple repairs as authorized in your product documentation, or as directed by the online or telephone service and support team. Damage due to servicing that is not authorized by Dell is not covered by your warranty. Read and follow the safety instructions that came with the product.


1. Locate the right riser blank.
2. Lift the riser blank up and away from the system and remove the PCI retention rocker.

To install the riser blank, align the blank with the blank guide on the chassis and press down until firm. Replace the PCI retention rocker on the chassis rear wall.

Removing An Expansion Card From Expansion-Card Risers 2 and 3

 **CAUTION:** Many repairs may only be done by a certified service technician. You should only perform troubleshooting and simple repairs as authorized in your product documentation, or as directed by the online or telephone service and support team. Damage due to servicing that is not authorized by Dell is not covered by your warranty. Read and follow the safety instructions that came with the product.

1. Turn off the system, including any attached peripherals, and disconnect the system from the electrical outlet and peripherals.
2. Open the system.
3. Disconnect any cables connected to the expansion card.
4. Remove the expansion-card riser cage by sliding the black handle in the direction of the blue arrows and then lifting the riser straight up.
5. Remove the expansion-card latch holding the expansion-card.
6. Remove the expansion card from the expansion-card riser.
7. If you are removing the card permanently, install a metal filler bracket over the empty expansion slot opening and insert the expansion-card latch.

 **NOTE:** You must install a filler bracket over an empty expansion slot to maintain Federal Communications Commission (FCC) certification of the system. The brackets also keep dust and dirt out of the system and aid in proper cooling and airflow inside the system.

8. Reinstall the expansion-card riser.
9. Close the system.
10. Reconnect the system to its electrical outlet and turn the system on, including any attached peripherals.

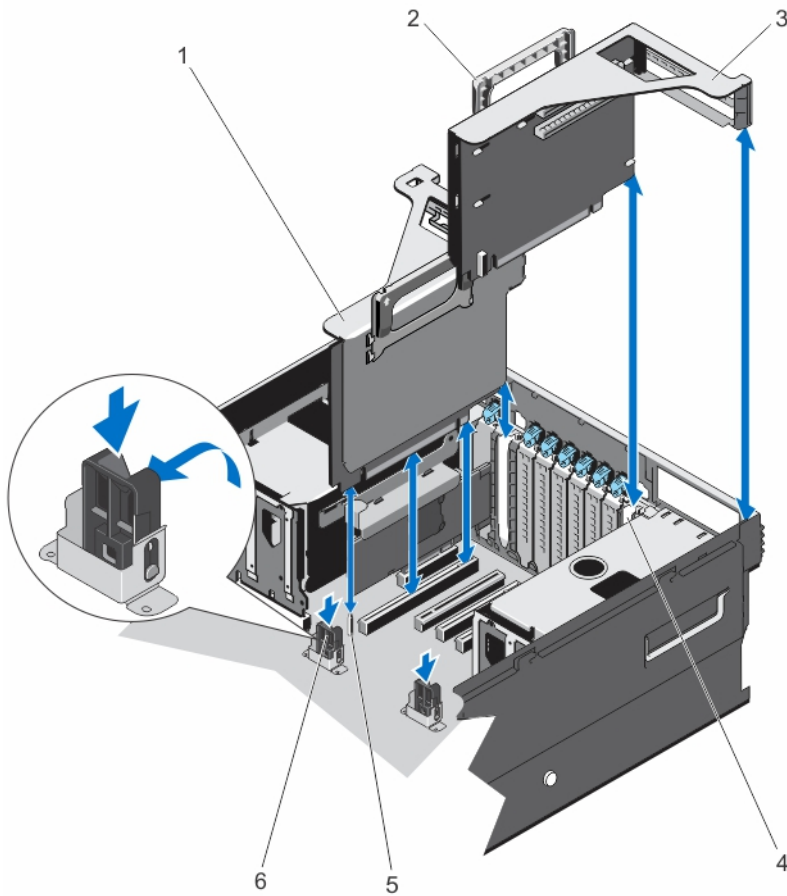


Figure 30. Removing and Installing Expansion-Card Risers 2 and 3 Cage

- | | |
|--------------------------------|--------------------------------|
| 1. expansion-card riser 2 cage | 2. expansion-card riser handle |
| 3. expansion-card riser 3 cage | 4. riser panel |
| 5. guide pin | 6. plastic guide on VR bracket |

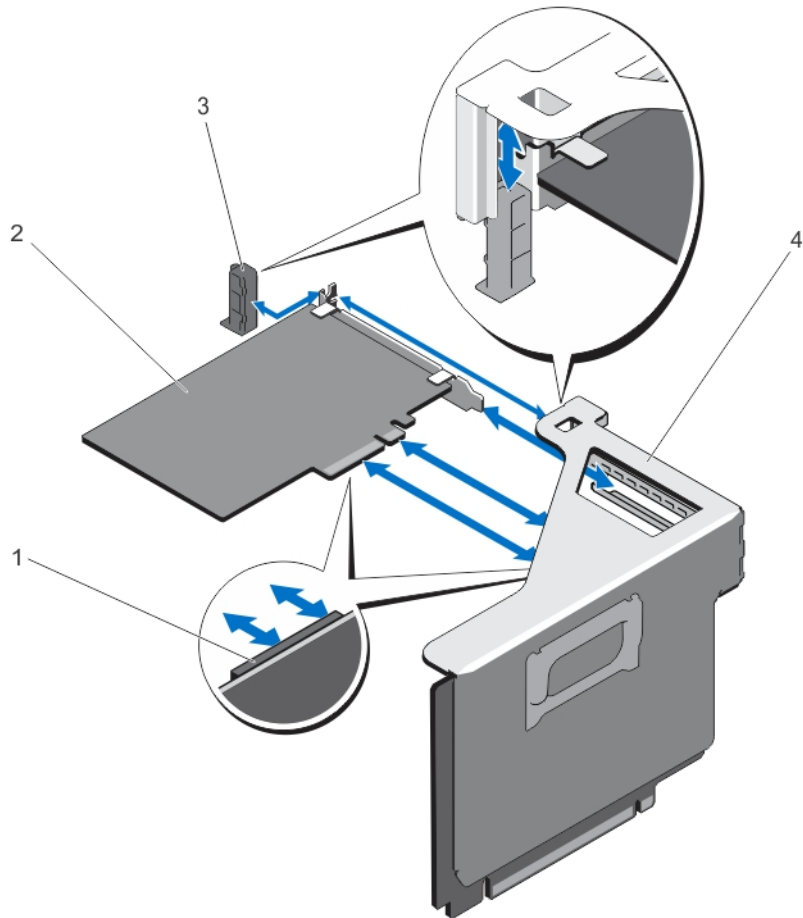


Figure 31. Removing and Installing the Expansion-Card (half-length) from the Expansion-Card Riser 2

- | | |
|--|---------------------------------|
| 1. expansion-card connector on the riser | 2. expansion-card (half-length) |
| 3. expansion-card latch | 4. expansion-card riser cage |

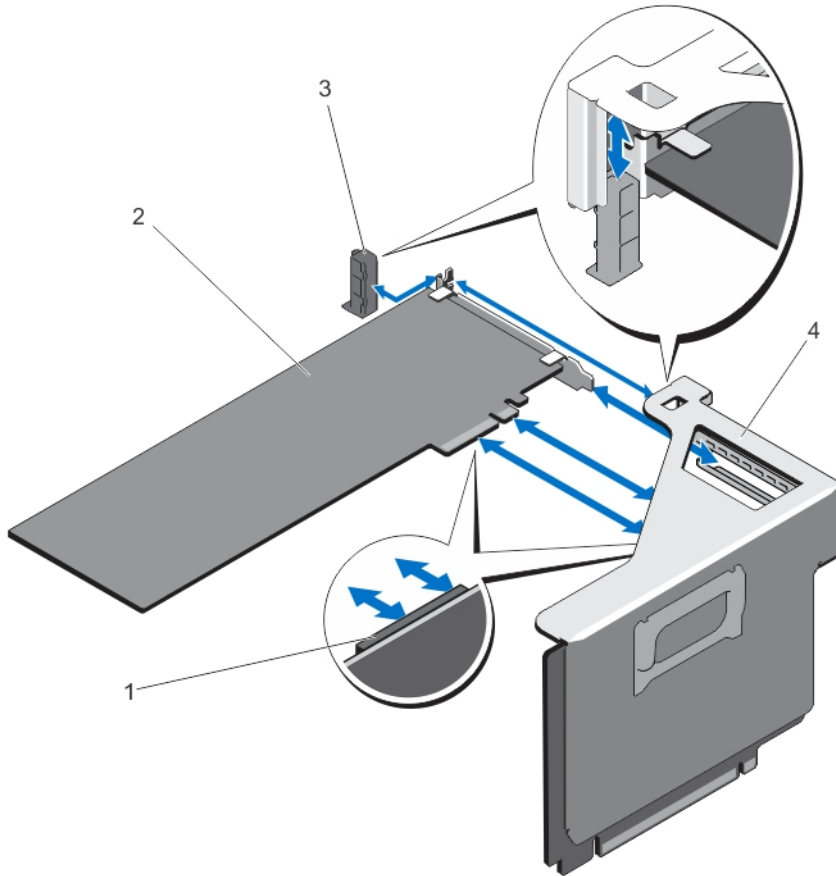


Figure 32. Removing and Installing the Expansion-Card (full-length) from the Expansion-Card Riser 2

- | | |
|--|---------------------------------|
| 1. expansion-card connector on the riser | 2. expansion-card (full-length) |
| 3. expansion-card latch | 4. expansion-card riser cage |

To enable the installation of full-length expansion card in expansion-card riser 2 or 3, ensure the metal brackets are removed from the back of the memory cage and fan cage. See the illustration below for removing the metal brackets

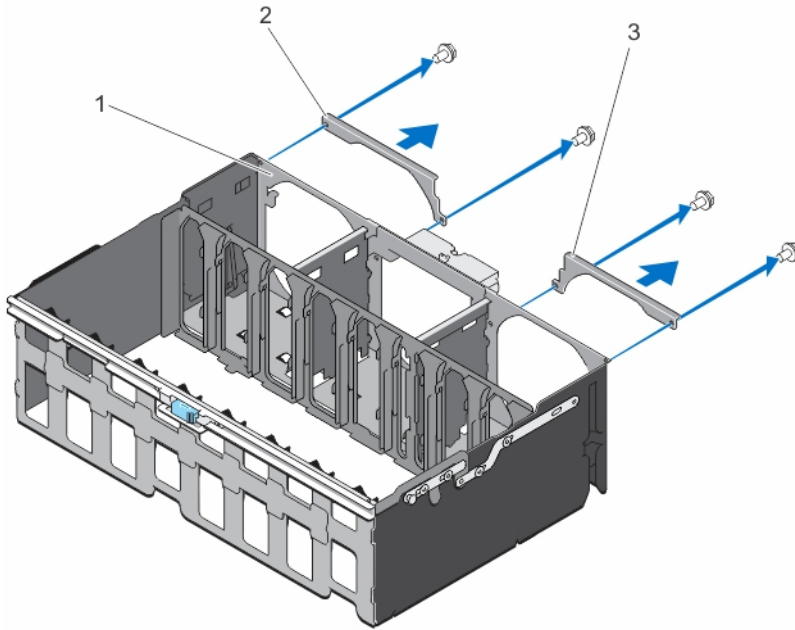


Figure 33. Removing The Metal Brackets To Install The Full-Length Expansion Cards

- | | |
|------------------------------|-----------------------|
| 1. memory riser and fan cage | 2. left metal bracket |
| 3. right metal bracket | |

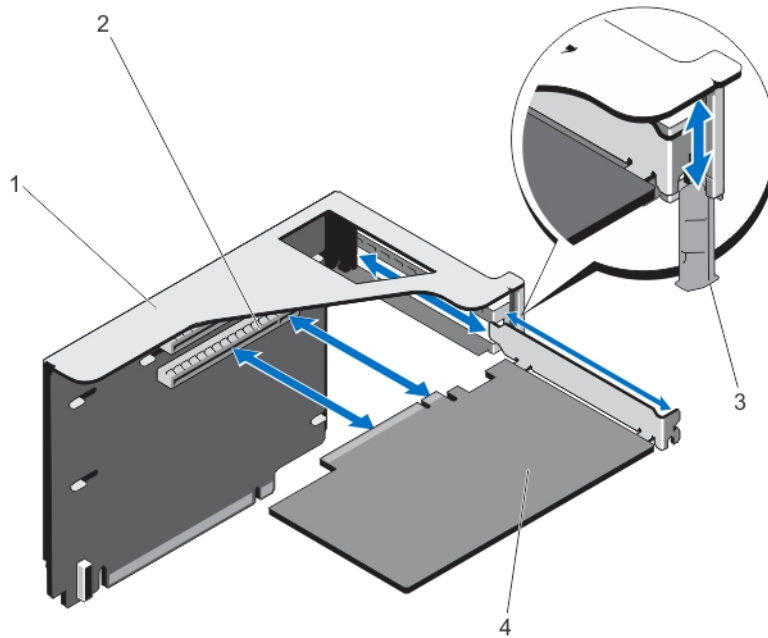



Figure 34. Removing and Installing the Expansion-Card from the Expansion-Card Riser 3

- | | |
|------------------------------|--|
| 1. expansion-card riser cage | 2. expansion-card connector on the riser |
| 3. expansion-card latch | 4. expansion-card |

Installing An Expansion Card Into The Expansion-Card Riser 2 and 3

 **CAUTION:** Many repairs may only be done by a certified service technician. You should only perform troubleshooting and simple repairs as authorized in your product documentation, or as directed by the online or telephone service and support team. Damage due to servicing that is not authorized by Dell is not covered by your warranty. Read and follow the safety instructions that came with the product.

1. Unpack the expansion card and prepare it for installation.
For instructions, see the documentation accompanying the card.
2. Turn off the system, including any attached peripherals, and disconnect the system from the electrical outlet and peripherals.
3. Open the system.
4. Remove the expansion-card riser cage by sliding the black handle in the direction of the blue arrows and then lift the riser straight up.
5. Remove the expansion-card latch holding the expansion-card.
6. Holding the card by its edges, position the card so that the card-edge connector aligns with the expansion-card connector.
7. Insert the card-edge connector firmly into the expansion-card connector until the card is fully seated.
8. Insert the expansion-card latch.
9. If applicable, connect any cables to the expansion card.
10. Install the expansion-card riser.
11. Close the system.
12. Reconnect the system to its electrical outlet and turn the system on, including any attached peripherals.
13. Install any device drivers required for the card as described in the documentation for the card.


NDC Riser (I/O Riser 1)

The NDC riser is a half-length, full-height card installed in a dedicated PCIe slot on the system board. It has an x16 PCIe connector (reverse orientation).

The NDC riser supports:

- A standard rNDC connector, which plugs One Dell standard Network Daughter Card
- IDSDM connector
- A temperature sensor
- A chassis intrusion switch

Removing The NDC Riser (I/O Riser 1)

 **CAUTION:** Many repairs may only be done by a certified service technician. You should only perform troubleshooting and simple repairs as authorized in your product documentation, or as directed by the online or telephone service and support team. Damage due to servicing that is not authorized by Dell is not covered by your warranty. Read and follow the safety instructions that came with the product.

1. Turn off the system, including any attached peripherals, and disconnect the system from the electrical outlet.
2. Open the system.
3. If applicable, disconnect the external and internal cables connected to the IO card.
4. If applicable, remove the left expansion card riser.
5. Locate the NDC riser (on PCIe slot 2).

6. Press and slide out the NDC riser panel latch.
The NDC riser panel is unlocked.
7. Hold the NDC riser and carefully remove it from the connector on the system board.

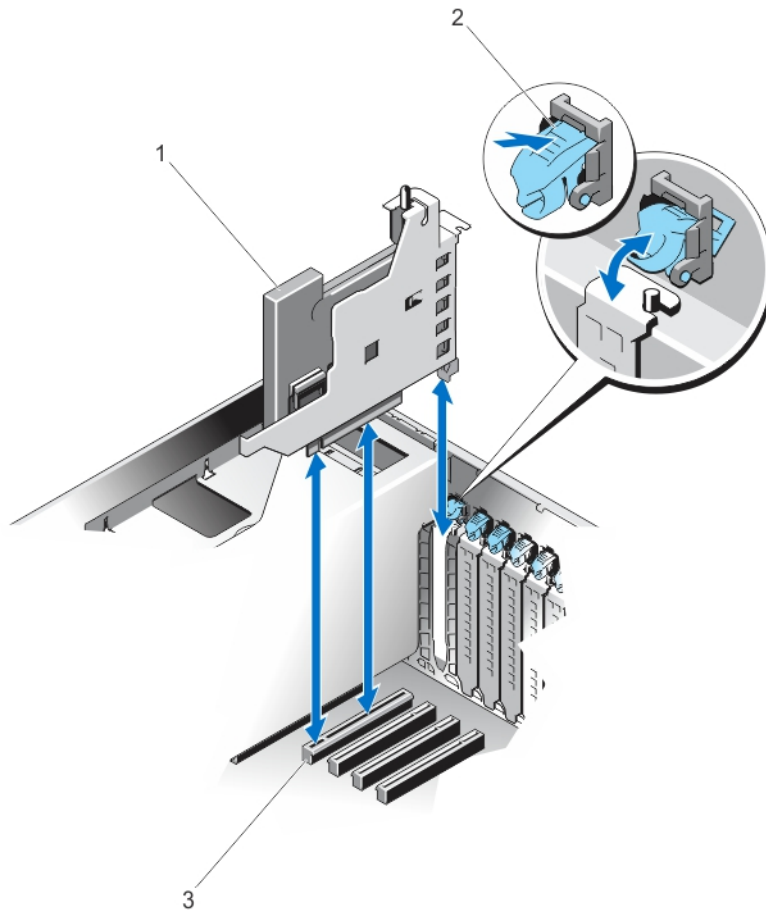


Figure 35. Removing and Installing the NDC Riser

- | | |
|--|---|
| <ol style="list-style-type: none"> 1. NDC 3. NDC riser connector on the system board | <ol style="list-style-type: none"> 2. PCI retention rocker |
|--|---|

Installing The NDC Riser (I/O Riser 1)

⚠ CAUTION: Many repairs may only be done by a certified service technician. You should only perform troubleshooting and simple repairs as authorized in your product documentation, or as directed by the online or telephone service and support team. Damage due to servicing that is not authorized by Dell is not covered by your warranty. Read and follow the safety instructions that came with the product.

1. Align the NDC riser with the riser-panel slot on the chassis and the connector on the system board
2. Lower and insert the riser into the connector on the system board firmly, until the card is fully seated.
3. Slide in the riser panel latch, so that it snaps in position.
4. If applicable, reinstall the left expansion card riser.

5. Close the system.
6. If applicable, reconnect the external cables to the IO card.
7. Reconnect the system to its electrical outlet and turn the system on, including any attached peripherals.

Network Daughter Card

The Network Daughter Card (NDC) contains the complete NIC subsystem, it replaces the traditional LAN-on-Motherboard (LOM) design with the flexible new features, network types, speed and easy to upgrade from 1G to 10G LAN speeds.

NDC riser (I/O riser 1) is installed on a dedicated PCIe slot (2) on the system board. It provides the following interfaces from the system board:

- PCIe x8 Gen3 link
- PCIe x2 Gen2 link
- Network Controller Sideband Interface (NC-SI)
- I-two-C (I2C)
- Power on and grounding
- Miscellaneous control signals

Removing The Network Daughter Card



CAUTION: Many repairs may only be done by a certified service technician. You should only perform troubleshooting and simple repairs as authorized in your product documentation, or as directed by the online or telephone service and support team. Damage due to servicing that is not authorized by Dell is not covered by your warranty. Read and follow the safety instructions that came with the product.

1. Turn off the system, including any attached peripherals, and disconnect the system from the electrical outlet and peripherals.
2. Open the system.
3. Locate and remove the NDC riser (I/O riser 1).
The NDC is on riser 1.
4. Using a #2 Phillips screwdriver, loosen the two captive screws that secure the network daughter card to the IO riser card.
5. Hold the network daughter card by the edges on either side of the touch point and lift to remove it from the connector on the IO riser card.
6. Slide the network daughter card away from the bracket until the NIC connectors are clear of the slot.

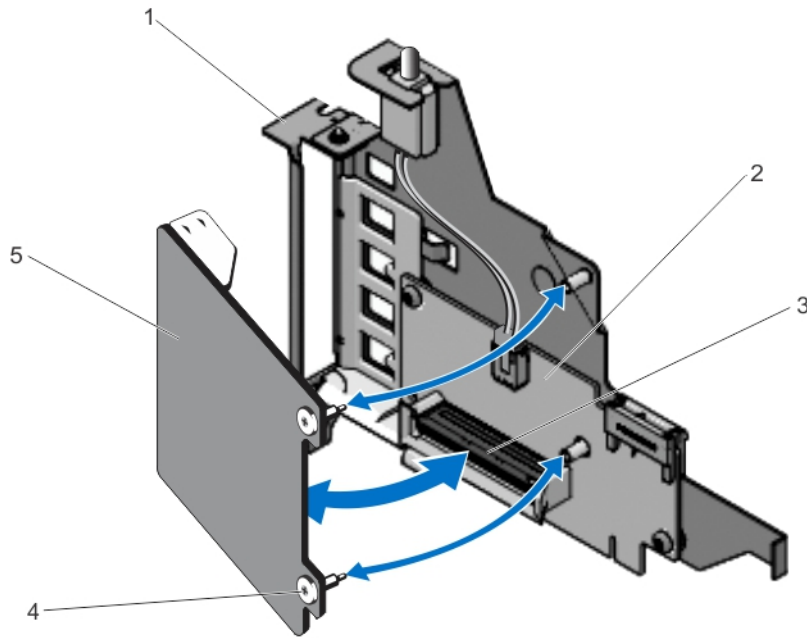


Figure 36. Removing and Installing the Network Daughter Card

- | | |
|--|-------------------|
| 1. NDC panel | 2. I/O riser card |
| 3. NDC connector on the I/O riser card | 4. screw (2) |
| 5. network daughter card | |

Installing The Network Daughter Card

⚠ CAUTION: Many repairs may only be done by a certified service technician. You should only perform troubleshooting and simple repairs as authorized in your product documentation, or as directed by the online or telephone service and support team. Damage due to servicing that is not authorized by Dell is not covered by your warranty. Read and follow the safety instructions that came with the product.

1. Orient the NDC so that the NIC connectors fit through the slot opening on riser.
2. Align the captive screws with the screw holes on the IO riser card.
3. Press the touch point on the NDC to ensure that the connector on the NDC is in contact with the connector on the IO riser card.
4. Using a #2 Phillips screwdriver, tighten the two captive screws to secure the network daughter card to the IO riser card.
5. Install the NDC riser (I/O riser 1).
6. Close the system.
7. Reconnect the system to its electrical outlet and turn the system on, including any attached peripherals.

SD vFlash Card

A vFlash SD card is a Secure Digital (SD) card that plugs into the vFlash SD card slot in the system. It provides persistent on-demand local storage and a custom deployment environment that allows automation of server configuration, scripts, and imaging. It emulates USB device(s). For more information, see the *iDRAC7 User's Guide* at dell.com/support/manuals.

Replacing An SD vFlash Card

1. Locate the vFlash media slot on the system.
2. To remove the SD vFlash card, push inward on the card to release it, and pull the card from the card slot.

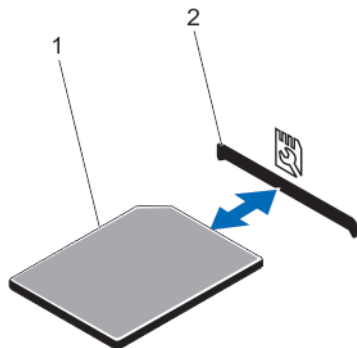






Figure 37. Removing and Installing the SD vFlash Card

1. SD vFlash card
2. SD vFlash card slot
3. To install the SD vFlash card, with the label side facing up, insert the contact-pin end of the SD card into the card slot on the module.
 **NOTE:** The slot is keyed to ensure correct insertion of the card.
4. Press inward on the card to lock it into the slot.

Internal Dual SD Module

-  **NOTE:** When the **Redundancy** option is set to **Mirror Mode** in the **Integrated Devices** screen of the System Setup, the information is replicated from one SD card to another.
-  **NOTE:** Dual SD cards are not required; the module can operate with only one card in either of the slots but without redundancy.

Removing The Internal Dual SD Module

 **CAUTION:** Many repairs may only be done by a certified service technician. You should only perform troubleshooting and simple repairs as authorized in your product documentation, or as directed by the online or telephone service and support team. Damage due to servicing that is not authorized by Dell is not covered by your warranty. Read and follow the safety instructions that came with the product.

1. Turn off the system, including any attached peripherals, and disconnect the system from the electrical outlet and peripherals.
2. Open the system.
3. Locate the internal dual SD module installed on the RIPv card on the IO card on the NDC riser.
4. If applicable, remove the SD card(s).
5. Holding the blue tab, pull the RIPv card along with the dual SD module to remove it from the IO card.
6. Close the system.
7. Reconnect the system to its electrical outlet and turn the system on, including any attached peripherals.

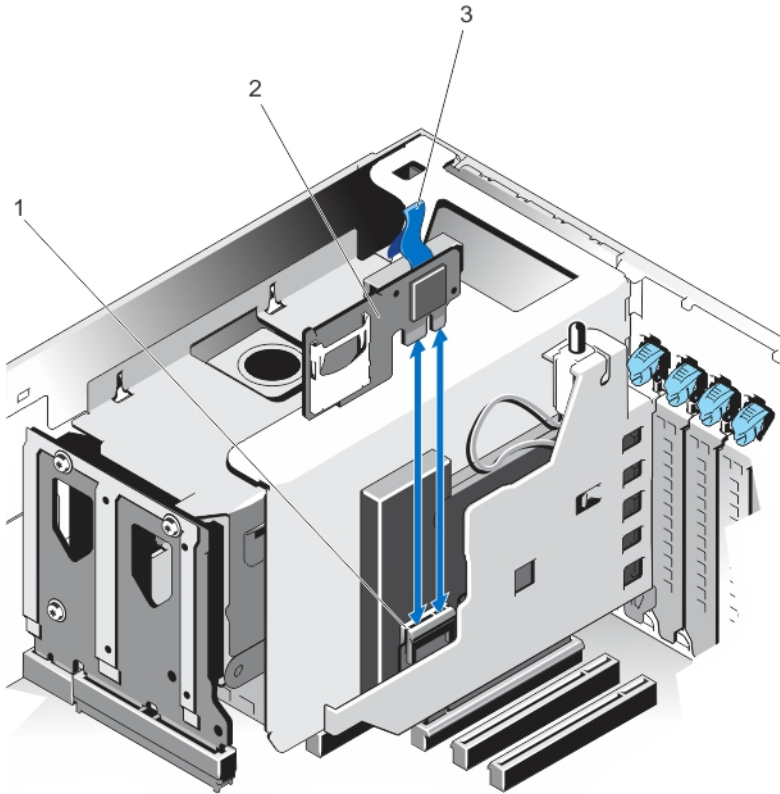


Figure 38. Removing and Installing the Internal Dual SD Module

- | | | | |
|----|---------------------------|----|-------------------------|
| 1. | connector on the I/O card | 2. | internal dual SD module |
| 3. | blue pull tab | | |

Installing The Internal Dual SD Module

⚠ CAUTION: Many repairs may only be done by a certified service technician. You should only perform troubleshooting and simple repairs as authorized in your product documentation, or as directed by the online or telephone service and support team. Damage due to servicing that is not authorized by Dell is not covered by your warranty. Read and follow the safety instructions that came with the product.

1. Turn off the system, including any attached peripherals, and disconnect the system from the electrical outlet and peripherals.
2. Open the system.
3. Locate the J_RIP connector on the IO card on the NDC riser.
4. Align the connectors on the IO card and the RIPS card with the dual SD module located on it.
5. Holding the tab, push the RIPS card with the dual SD module located on it, until it is firmly seated on IO card.
6. Close the system.
7. Reconnect the system to its electrical outlet and turn the system on, including any attached peripherals.

Internal SD Card

Removing An Internal SD Card

⚠ CAUTION: Many repairs may only be done by a certified service technician. You should only perform troubleshooting and simple repairs as authorized in your product documentation, or as directed by the online or telephone service and support team. Damage due to servicing that is not authorized by Dell is not covered by your warranty. Read and follow the safety instructions that came with the product.

1. Turn off the system, including any attached peripherals, and disconnect the system from the electrical outlet and peripherals.
2. Open the system.
3. Locate the SD card slot(s) on the internal dual SD module, press the card inwards to release it from the slot and remove the card.
4. Close the system.
5. Reconnect the system to its electrical outlet and turn the system on, including any attached peripherals.

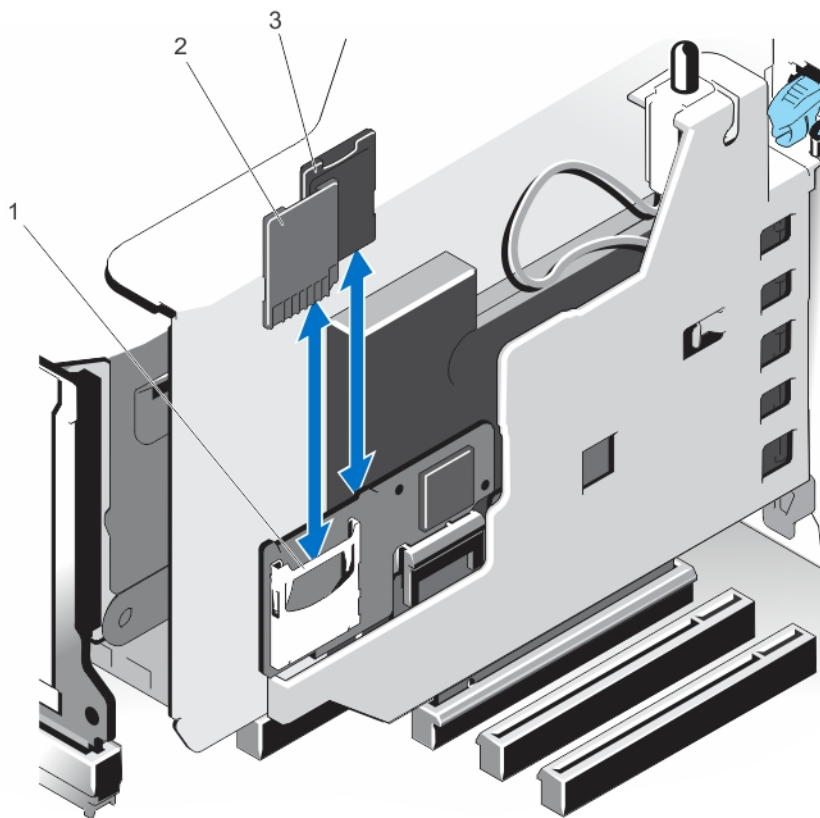




Figure 39. Removing and Installing an Internal SD Card


- | | |
|-------------------|--------------|
| 1. dual SD module | 2. SD card 1 |
| 3. SD card 2 | |

Installing An Internal SD Card

 **CAUTION:** Many repairs may only be done by a certified service technician. You should only perform troubleshooting and simple repairs as authorized in your product documentation, or as directed by the online or telephone service and support team. Damage due to servicing that is not authorized by Dell is not covered by your warranty. Read and follow the safety instructions that came with the product.

 **NOTE:** To use an SD card with your system, ensure that the internal SD card port is enabled in the System Setup.

1. Turn off the system, including any attached peripherals, and disconnect the system from the electrical outlet and peripherals.
2. Open the system.
3. Locate the internal dual SD module on the RIPS card with the SD card slot. With the label side facing up and the gold pins facing into the RIPS card, insert the SD card into the slot.


 **NOTE:** The slot is keyed to ensure correct insertion of the card.

4. Press the card into the card slot to lock it into place.
5. Repeat steps 3 and 4 to insert the second SD card on the other side of the RIPS card.
6. Close the system.
7. Reconnect the system to its electrical outlet and turn the system on, including any attached peripherals.

Integrated Storage Controller Card

Your system supports both single and dual storage controller card options. Your system includes a dedicated expansion-card slot on the system board for the primary integrated SAS or PERC controller card that provides the integrated storage subsystem for your system's internal hard drives. If installed, the secondary storage card must be installed in slot 8. The controller supports SAS and SATA hard drives and also enables you to set up the hard drives in RAID configurations as supported by the version of the storage controller included with your system.

Removing The Integrated Storage Controller Card

 **CAUTION:** Many repairs may only be done by a certified service technician. You should only perform troubleshooting and simple repairs as authorized in your product documentation, or as directed by the online or telephone service and support team. Damage due to servicing that is not authorized by Dell is not covered by your warranty. Read and follow the safety instructions that came with the product.

 **CAUTION:** If applicable, remove the other PCIe cards prior to removing the Storage Controller card.

1. Turn off the system, including any attached peripherals, and disconnect the system from the electrical outlet and peripherals.
2. Open the system.
3. If applicable, remove the left expansion card riser.
4. Remove the NDC riser.
5. Locate the storage controller card next to the power supply bay, under the clamp.
6. Press and open the clamp.
7. Hold the storage controller card by its edges and lift to remove it from the connector on the system board.
8. Disconnect the SAS cables connected to the card:
 - a. Press down and hold the tab on the SAS cable connector.
 - b. Pull the SAS cable out of the connector.

9. Close the system.
10. Reconnect the system to its electrical outlet and turn the system on, including any attached peripherals.

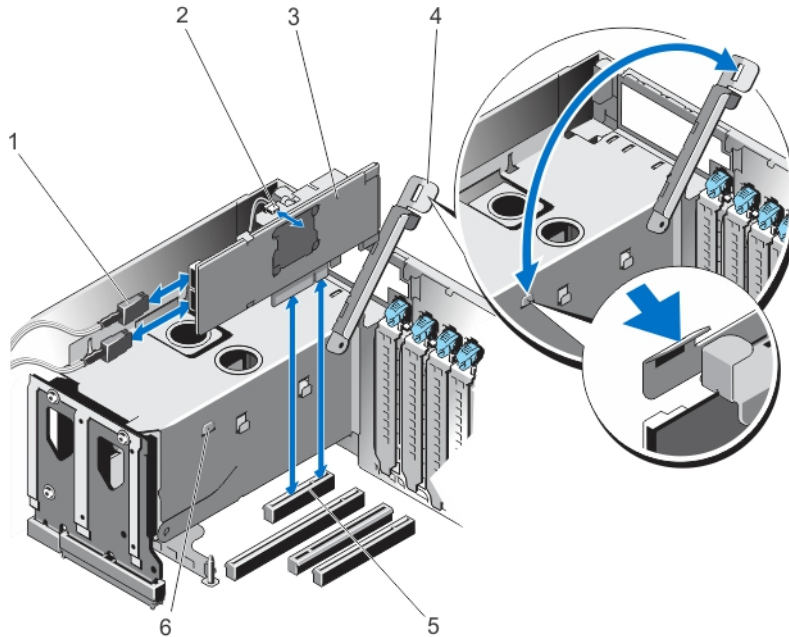


Figure 40. Removing and Installing the Integrated Storage Controller Card

- | | |
|--|--|
| 1. SAS cable connector | 2. storage controller card battery |
| 3. storage controller card | 4. clamp |
| 5. storage controller card connector on the system board | 6. clamp slots on the power supply bay board |

Installing The Integrated Storage Controller Card

CAUTION: Many repairs may only be done by a certified service technician. You should only perform troubleshooting and simple repairs as authorized in your product documentation, or as directed by the online or telephone service and support team. Damage due to servicing that is not authorized by Dell is not covered by your warranty. Read and follow the safety instructions that came with the product.

CAUTION: Ensure the storage controller card is installed carefully, so that the components on the card are not damaged.

1. Turn off the system, including any attached peripherals, and disconnect the system from the electrical outlet.
2. Open the system.
3. Connect the SAS data cable connector to the integrated storage controller card.
 - NOTE:** Ensure that you connect the cable according to the connector labels on the cable. The cable does not function properly if reversed.
4. Hold the card by its edges and insert the card-edge connector firmly into the connector until the card is fully seated.
5. Route the SAS data cable through the channel on the inner side of the chassis.
6. Connect the SAS cables from the storage controller card to the connectors on hard-drive backplane or SAS expander card based on the hard-drive configuration selected. For more information, see the cabling images in topic [Removing The Hard-Drive Backplane](#).

7. Close the clamp.
8. Install the NDC riser.
9. If applicable, reinstall the left expansion card riser.
10. Close the system.
11. Reconnect the system to its electrical outlet and turn the system on, including any attached peripherals.

RAID Battery

Removing a RAID Battery

⚠ CAUTION: Many repairs may only be done by a certified service technician. You should only perform troubleshooting and simple repairs as authorized in your product documentation, or as directed by the online or telephone service and support team. Damage due to servicing that is not authorized by Dell is not covered by your warranty. Read and follow the safety instructions that came with the product.

1. Turn off the system, including any attached peripherals, and disconnect the system from the electrical outlet.
2. Open the system.
3. Remove the storage controller card.
The RAID battery is located on the storage controller card.
4. Pull the battery carrier tab from the slot and lift the RAID battery module from the storage controller card.
5. Disconnect the battery cable from the switch on the controller card.

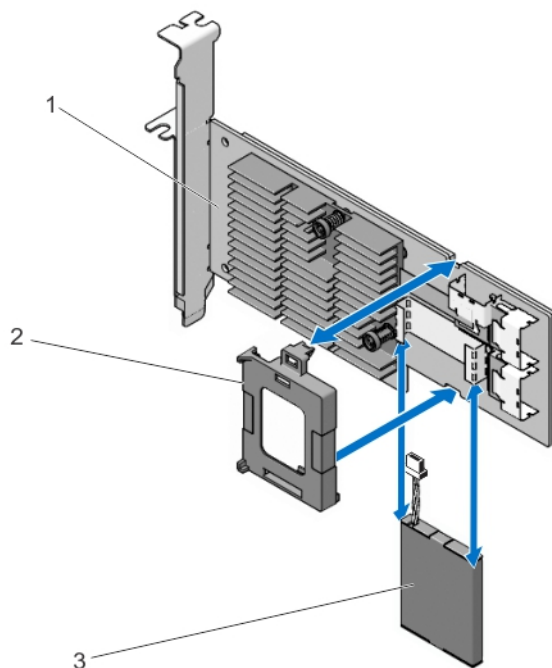



Figure 41. Removing and Installing the RAID Battery

- | | |
|----------------------------|--------------------|
| 1. storage controller card | 2. battery carrier |
| 3. RAID battery | |

Installing The RAID Battery

 **CAUTION:** Many repairs may only be done by a certified service technician. You should only perform troubleshooting and simple repairs as authorized in your product documentation, or as directed by the online or telephone service and support team. Damage due to servicing that is not authorized by Dell is not covered by your warranty. Read and follow the safety instructions that came with the product.

1. Turn off the system, including any attached peripherals, and disconnect the system from the electrical outlet.
2. Open the system.
3. Remove the storage controller card.
4. Connect the RAID battery cable connector on the storage controller card.
5. Align the RAID battery module (battery and carrier) with the slots on the storage controller card.
6. Push the battery module into the slots, so that it snaps in place.
7. Connect the SAS data cables to the data cable connectors on the integrated storage controller card.
8. Insert the storage controller card into the connector on system board.
9. Close the system.
10. Reconnect the system to its electrical outlet and turn the system on, including any attached peripherals.


Processors

Use the following procedure when:


- Installing an additional processor
- Replacing a processor

Your system supports two types of processor configurations:

- Four-processor configuration
- Two-processor configuration

 **NOTE:** To ensure proper system cooling, you must install a processor blank and a heat-sink blank in any empty processor socket.

Removing A Heat Sink Blank

 **CAUTION:** Many repairs may only be done by a certified service technician. You should only perform troubleshooting and simple repairs as authorized in your product documentation, or as directed by the online or telephone service and support team. Damage due to servicing that is not authorized by Dell is not covered by your warranty. Read and follow the safety instructions that came with the product.

1. Turn off the system, including any attached peripherals, and disconnect the system from the electrical outlet.
2. Open the system.
3. Remove the following:
 - a. memory risers
 - b. cooling fans
 - c. memory riser and fan cage
 - d. cable management tray
 - e. fan tray
4. Locate the heat sink blank seated on the processor blank.

5. Press the heat sink release tabs located at the back of the blank.
6. Lift the heat sink blank out of the system.

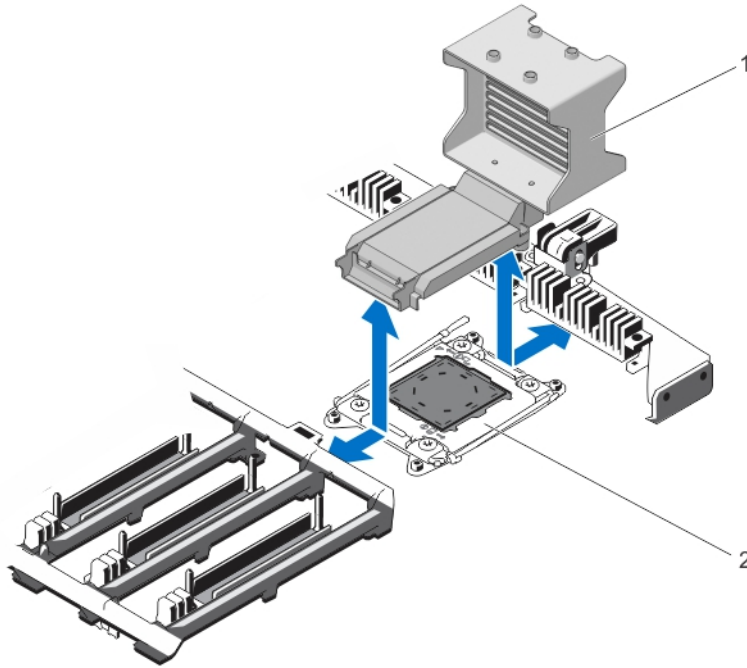


Figure 42. Removing and Installing the Heat Sink Blank


- | | |
|--------------------|--------------------|
| 1. heat sink blank | 2. processor blank |
|--------------------|--------------------|

Installing A Heat Sink Blank


⚠ CAUTION: Many repairs may only be done by a certified service technician. You should only perform troubleshooting and simple repairs as authorized in your product documentation, or as directed by the online or telephone service and support team. Damage due to servicing that is not authorized by Dell is not covered by your warranty. Read and follow the safety instructions that came with the product.

1. Turn off the system, including any attached peripherals, and disconnect the system from the electrical outlet.
2. Open the system.
3. Align the heat sink blank tabs with the slots on the system chassis.
4. Lower and insert the heat sink blank in the slots, so that the release tab snaps in position.
5. Install the following:
 - a. fan tray
 - b. cable management tray
 - c. memory riser and fan cage
 - d. cooling fans
 - e. memory risers/memory riser blanks, if applicable.
6. Close the system.
7. Reconnect the system to its electrical outlet and turn the system on, including any attached peripherals.

Removing A Processor

 **CAUTION:** Many repairs may only be done by a certified service technician. You should only perform troubleshooting and simple repairs as authorized in your product documentation, or as directed by the online or telephone service and support team. Damage due to servicing that is not authorized by Dell is not covered by your warranty. Read and follow the safety instructions that came with the product.

1. Before upgrading your system, download the latest system BIOS version from dell.com/support and follow the instructions included in the compressed download file to install the update on your system.


 **NOTE:** You can update the system BIOS using the Lifecycle Controller.

2. Turn off the system, including any attached peripherals, and disconnect the system from the electrical outlet. When disconnected from the power source, press and hold the power button for three seconds to fully drain the system of stored power prior to removing the cover.
3. Open the system.
4. If applicable, remove the memory-riser blanks.
5. Remove the memory risers.
6. Remove the cooling fans.
7. Remove the memory riser and fan cage.
8. Remove the cable management tray.
9. Remove the fan tray.

 **WARNING:** The heat sink and processor are hot to the touch for some time after the system has been powered down. Allow the heat sink and processor to cool before handling them.

 **CAUTION:** Never remove the heat sink from a processor unless you intend to remove the processor. The heat sink is necessary to maintain proper thermal conditions.

10. Using a #2 Phillips screwdriver, loosen the heat-sink retention screws in an X pattern.

 **NOTE:** Make sure to completely torque 1 screw before starting on the next one.

11. Lift the heat sink away from the processor and set the heat sink aside.

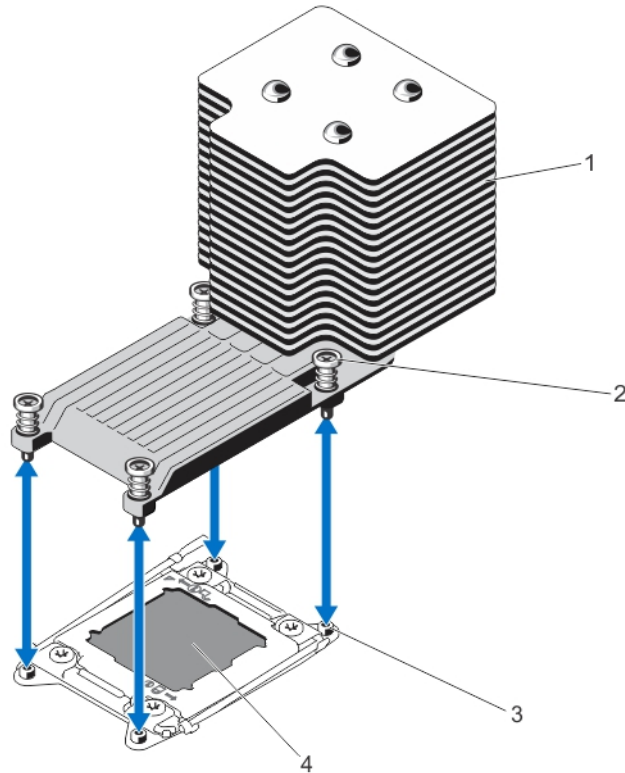




Figure 43. Removing and Installing the Processor Heat Sink

- | | |
|--------------------------|-------------------------|
| 1. heat sink | 2. retention screws (4) |
| 3. retention sockets (4) | 4. processor |

⚠ CAUTION: The processor is held in its socket under strong pressure. Be aware that the release lever can spring up suddenly if not firmly grasped.

12. Position your thumb firmly over the processor socket-release lever near the unlock icon  and release the lever from the locked position by pushing down and out from under the tab.
13. Similarly, position your thumb firmly over the processor socket-release lever near the lock icon  and release the lever from the locked position by pushing down and out from under the tab. Rotate the lever 90 degrees upward.

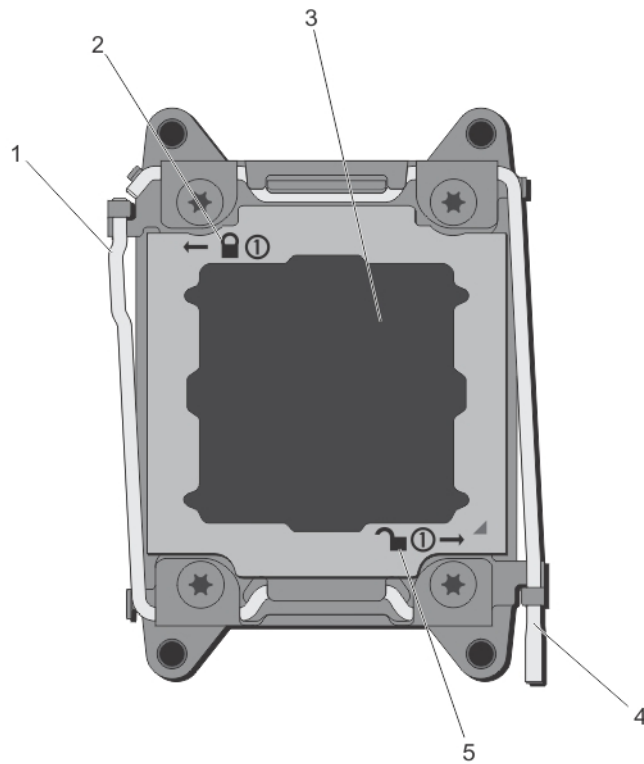


Figure 44. Processor Shield Opening and Closing Lever Sequence

- | | |
|-----------------------------------|-----------------------------------|
| 1. processor socket-release lever | 2. close-lock symbol |
| 3. processor | 4. processor socket-release lever |
| 5. open-lock symbol | |

14. Rotate the processor shield upward and out of the way.

⚠ CAUTION: The socket pins are fragile and can be permanently damaged. Be careful not to bend the pins in the socket when removing the processor out of the socket.

15. Lift the processor out of the socket and leave the release lever up so that the socket is ready for the new processor.

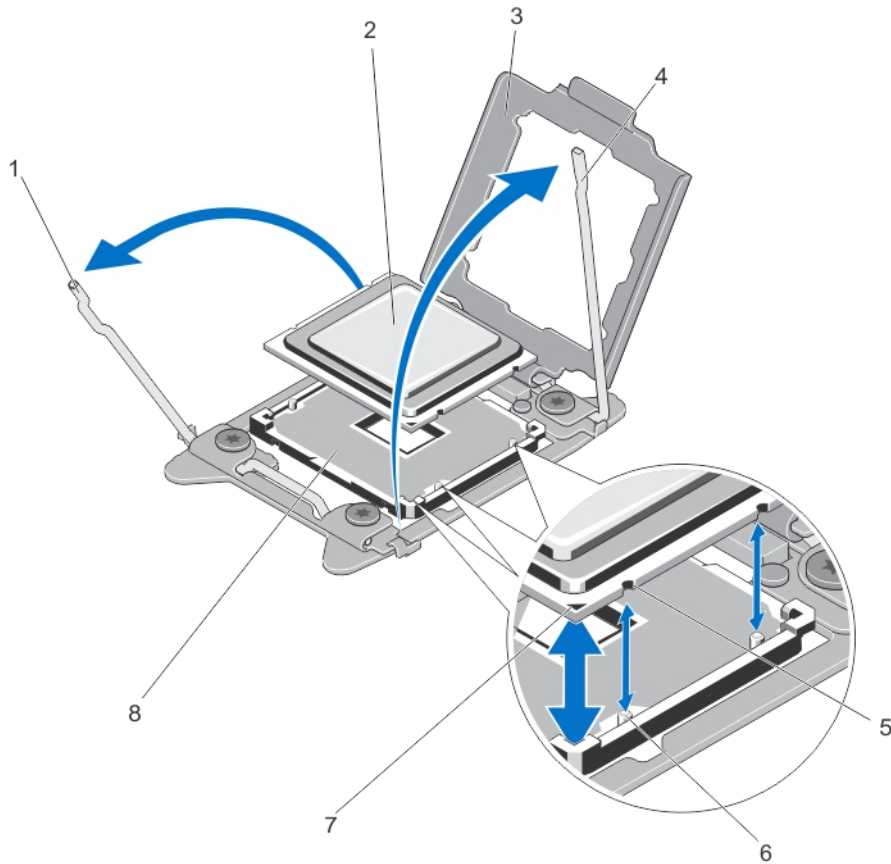


Figure 45. Removing and Installing a Processor


- | | |
|-----------------------------------|-----------------------------------|
| 1. processor socket-release lever | 2. processor |
| 3. processor shield | 4. processor socket-release lever |
| 5. notches in processor | 6. socket keys |
| 7. pin 1 indicator | 8. ZIF socket |

NOTE: After removing the processor, place it in an antistatic container for reuse, return, or temporary storage. Do not touch the bottom of the processor. Touch only the side edges of the processor.

NOTE: If you are permanently removing the processor, you must install a socket protective cap in the vacant socket to protect the socket pins and keep the socket free of dust.

Installing A Processor

CAUTION: Many repairs may only be done by a certified service technician. You should only perform troubleshooting and simple repairs as authorized in your product documentation, or as directed by the online or telephone service and support team. Damage due to servicing that is not authorized by Dell is not covered by your warranty. Read and follow the safety instructions that came with the product.


 **NOTE:** If you are installing two processors, they must be installed in socket CPU1 and CPU2.

1. Turn off the system, including any attached peripherals, and disconnect the system from the electrical outlet. When disconnected from the power source, press and hold the power button for three seconds to fully drain the system of stored power prior to removing the cover.

2. Open the system.


 **WARNING:** The heat sink and processor are hot to the touch for some time after the system has been powered down. Allow the heat sink and processor to cool before handling them.

 **CAUTION:** Never remove the heat sink from a processor unless you intend to remove the processor. The heat sink is necessary to maintain proper thermal conditions.

 **NOTE:** The procedure to remove the processor blank is similar to removing a processor.

3. Unpack the new processor.


4. Align the processor with the socket keys on the ZIF socket.


 **CAUTION:** Positioning the processor incorrectly can permanently damage the system board or the processor. Be careful not to bend the pins in the socket.

 **CAUTION:** Do not use force to seat the processor. When the processor is positioned correctly, it engages easily into the socket.

5. With the release levers on the processor socket in the open position, align pin 1 of the processor, using pin 1 position guide on the socket, as reference and set the processor lightly in the socket.

6. Close the processor shield.

7. Rotate the socket-release lever near the lock icon  until it is locked in position.

8. Similarly, rotate the socket-release lever near the unlock icon  until it is locked in position.

9. Using a clean lint-free cloth, remove the thermal grease from the heat sink.

 **CAUTION:** Applying too much thermal grease can result in excess grease coming in contact with and contaminating the processor socket.

10. Open the grease applicator included with your processor kit and apply all of the thermal grease in the applicator to the center of the topside of the new processor.

11. Place the heat sink on the processor.

12. Using a #2 Phillips screwdriver, tighten the heat-sink retention screws.

13. Install the following:

- a. fan tray
- b. cable management tray
- c. memory riser and fan cage
- d. cooling fans
- e. memory risers/memory risers, as applicable

14. Close the system.

15. Reconnect your system and peripherals to their electrical outlets, and turn on the system.

16. Press <F2> to enter the System Setup and check that the processor information matches the new system configuration.

17. Run the system diagnostics to verify that the new processor operates correctly.

Power Supplies


Your system supports four AC-DC or DC-DC power supplies that are connected to the system board.

Your system supports

Up to four 750 W, 1100 W, and 1600 W (when available) AC power supply modules


Or

Up to four 1100 W DC power supply modules

 **NOTE:** You can install only one 1600 W power supply on each side of the system.

When two identical power supplies are installed, the power supply configuration is redundant (1 + 1). In redundant mode, power is supplied to the system equally from both power supplies to maximize efficiency.

When only one power supply is installed, the power supply configuration is non-redundant (1 + 0). Power is supplied to the system only by the single power supply.

 **NOTE:** If two power supplies are used, they must be of the same type and have the same maximum output power.

Hot Spare Feature


Your system supports the Hot Spare feature that significantly reduces the power overhead associated with power supply redundancy.


When the Hot Spare feature is enabled, a redundant power supply is switched to a sleep state. The active power supply supports 100% of the load, thus operating at higher efficiency. The redundant power supply in the sleep state monitors output voltage of the active power supply. If the output voltage of the active power supply drops, the redundant power supply in the sleep state returns to an active output state.


The active power supply can also activate a sleeping power supply if having both power supplies active is more efficient than having the redundant power supply in a sleep state. The power supply defaults are to wake both power supplies if the load on the active power supply is greater than 50% and to sleep the redundant power supply if the load falls below 20%.

You can configure the Hot Spare feature using the iDRAC settings. For more information on iDRAC settings, see the *iDRAC7 User's Guide* at dell.com/support/manuals.

Removing An AC Power Supply

 **CAUTION:** Many repairs may only be done by a certified service technician. You should only perform troubleshooting and simple repairs as authorized in your product documentation, or as directed by the online or telephone service and support team. Damage due to servicing that is not authorized by Dell is not covered by your warranty. Read and follow the safety instructions that came with the product.

 **CAUTION:** The system requires one power supply for normal operation. On power-redundant systems, remove and replace only one power supply at a time in a system that is powered on.

 **NOTE:** You may have to unlatch and lift the optional cable management arm if it interferes with power supply removal. For information about the cable management arm, see the system's rack documentation.

1. Disconnect the power cable from the power source and the power supply you intend to remove and remove the cables from the strap.
2. Press the release latch and slide the power supply out of the chassis.

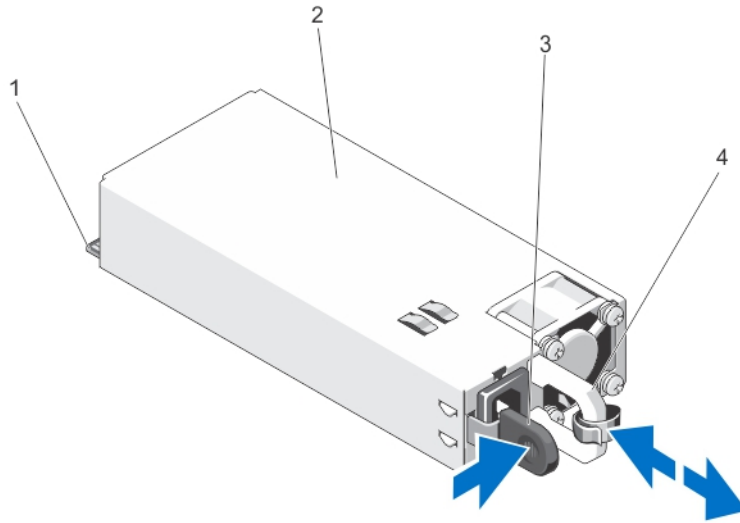


Figure 46. Removing and Installing an AC Power Supply

- | | |
|------------------|------------------------|
| 1. connector | 2. power supply |
| 3. release latch | 4. power supply handle |


Installing An AC Power Supply


CAUTION: Many repairs may only be done by a certified service technician. You should only perform troubleshooting and simple repairs as authorized in your product documentation, or as directed by the online or telephone service and support team. Damage due to servicing that is not authorized by Dell is not covered by your warranty. Read and follow the safety instructions that came with the product.


1. Verify that both the power supplies are the same type and have the same maximum output power.
 - NOTE:** The maximum output power (shown in Watts) is listed on the power supply label.
2. If applicable, remove the power supply blank.
3. Slide the new power supply into the chassis until the power supply is fully seated and the release latch snaps into place.
 - NOTE:** If you unlatched the cable management arm, re-latch it. For information about the cable management arm, see the system's rack documentation.
4. Connect the power cable to the power supply and plug the cable into a power outlet.
 - CAUTION:** When connecting the power cable, secure the cable with the strap.
 - NOTE:** When installing, hot-swapping, or hot-adding a new power supply, allow several seconds for the system to recognize the power supply and determine its status. The power-supply status indicator turns green to signify that the power supply is functioning properly.


Wiring Instructions For A DC Power Supply

Your system supports up to two $-(48-60)$ V DC power supplies (when available).

 **WARNING:** For equipment using $-(48-60)$ V DC power supplies, a qualified electrician must perform all connections to DC power and to safety grounds. Do not attempt connecting to DC power or installing grounds yourself. All electrical wiring must comply with applicable local or national codes and practices. Damage due to servicing that is not authorized by Dell is not covered by your warranty. Read and follow all safety instructions that came with the product.

 **CAUTION:** Wire the unit with copper only, unless otherwise specified, use only 10 American Wire Gauge (AWG) wire rated minimum 90 °C for source and return. Protect the $-(48-60)$ V DC (1 wire) with a branch circuit over-current protection rated 50 A for DC with a high interrupt current rating.

 **CAUTION:** Connect the equipment to a $-(48-60)$ V DC supply source that is electrically isolated from the AC source (reliably grounded $-(48-60)$ V DC SELV source). Ensure that the $-(48-60)$ V DC source is efficiently secured to earth (ground).

 **NOTE:** A readily accessible disconnect device that is suitably approved and rated shall be incorporated in the field wiring.

Input Requirements


- Supply voltage: $-(48-60)$ V DC
- Current consumption: 32 A (maximum)

Kit Contents

- Dell part number 6RYJ9 terminal block or equivalent (1)
- #6-32 nut equipped with lock washer (1)

Required Tools


Wire-stripper pliers capable of removing insulation from size 10 AWG solid or stranded, insulated copper wire

 **NOTE:** Use alpha wire part number 3080 or equivalent (65/30 stranding)

Required Wires

- One UL 10 AWG, 2 m maximum (stranded) black wire [$-(48-60)$ V DC]
- One UL 10 AWG, 2 m maximum (stranded) red wire (V DC return)
- One UL 10 AWG, 2 m maximum green/yellow, green with a yellow stripe, stranded wire (safety ground)

Assembling And Connecting The Safety Ground Wire

 **WARNING:** For equipment using $-(48-60)$ V DC power supplies, a qualified electrician must perform all connections to DC power and to safety grounds. Do not attempt connecting to DC power or installing grounds yourself. All electrical wiring must comply with applicable local or national codes and practices. Damage due to servicing that is not authorized by Dell is not covered by your warranty. Read and follow all safety instructions that came with the product.

1. Strip the insulation from the end of the green/yellow wire, exposing approximately 4.5 mm (0.175 inch) of copper wire.
2. Using a hand-crimping tool (Tyco Electronics, 58433-3 or equivalent), crimp the ring-tongue terminal (Jeason Terminals Inc., R5-4SA or equivalent) to the green/yellow wire (safety ground wire).

3. Connect the safety ground wire to the grounding post on the back of the system using a #6-32 nut equipped with a locking washer.

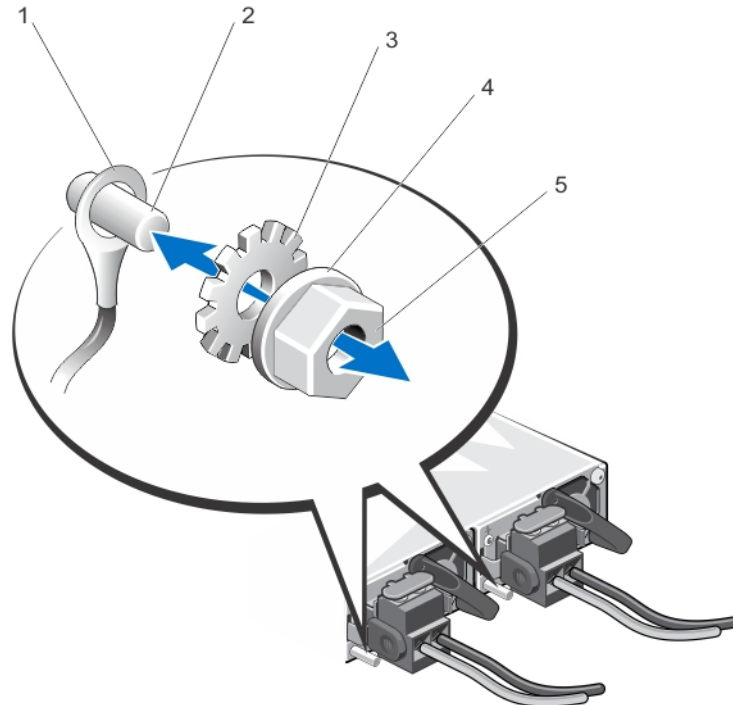


Figure 47. Assembling and Connecting the Safety Ground Wire

- | | |
|-----------------------|-------------------|
| 1. safety ground wire | 2. grounding post |
| 3. locking washer | 4. spring washer |
| 5. #6-32 nut | |

Assembling The DC Input Power Wires

⚠ WARNING: For equipment using $-48-60$ V DC power supplies, a qualified electrician must perform all connections to DC power and to safety grounds. Do not attempt connecting to DC power or installing grounds yourself. All electrical wiring must comply with applicable local or national codes and practices. Damage due to servicing that is not authorized by Dell is not covered by your warranty. Read and follow all safety instructions that came with the product.

1. Strip the insulation from the ends of the DC power wires, exposing approximately 13 mm (0.5 inch) of copper wire.

⚠ WARNING: Reversing polarity when connecting DC power wires can permanently damage the power supply or the system.

2. Insert the copper ends into the mating connectors and tighten the captive screws at the top of the mating connector using a #2 Phillips screwdriver.

⚠ WARNING: To protect the power supply from electrostatic discharge, the captive screws must be covered with the rubber cap before inserting the mating connector into the power supply.

3. Rotate the rubber cap clockwise to fix it over the captive screws.
4. Insert the mating connector into the power supply.

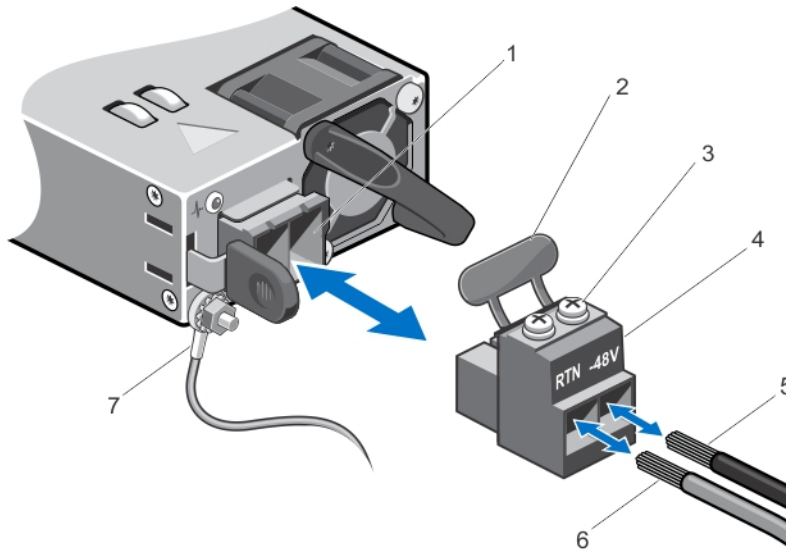


Figure 48. Assembling the DC Input Power Wires

- | | |
|-----------------------|-----------------------|
| 1. DC power socket | 2. rubber cap |
| 3. captive screws (2) | 4. DC power connector |
| 5. wire -48 V | 6. wire RTN |
| 7. grounding wire | |

Removing A DC Power Supply

⚠ WARNING: For equipment using $-(48-60)$ V DC power supplies, a qualified electrician must perform all connections to DC power and to safety grounds. Do not attempt connecting to DC power or installing grounds yourself. All electrical wiring must comply with applicable local or national codes and practices. Damage due to servicing that is not authorized by Dell is not covered by your warranty. Read and follow all safety instructions that came with the product.

⚠ CAUTION: The system requires one power supply for normal operation. On power-redundant systems, remove and replace only one power supply at a time in a system that is powered on.

✍ NOTE: You may have to unlatch and lift the optional cable management arm if it interferes with power supply removal. For information about the cable management arm, see the system's rack documentation.

1. Disconnect the power wires from the power source and the connector from the power supply you intend to remove.
2. Disconnect the safety ground wire.
3. Press the release latch and slide the power supply out of the chassis.

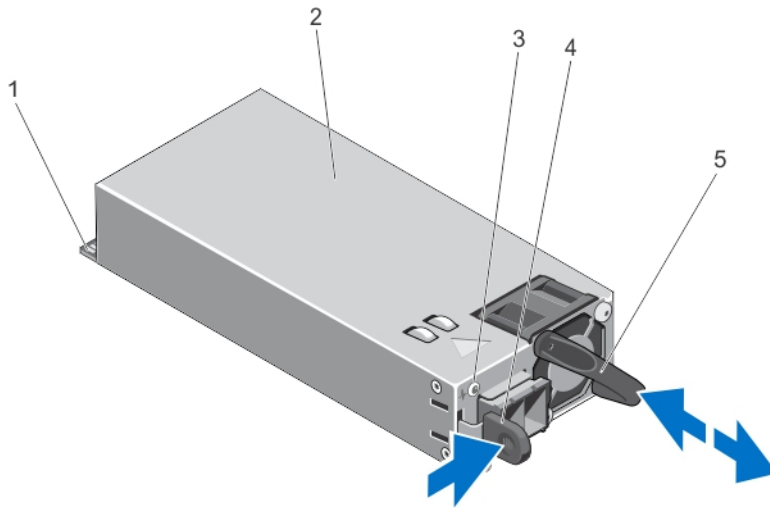


Figure 49. Removing and Installing a DC Power Supply

- | | |
|----------------------------------|------------------|
| 1. connector | 2. power supply |
| 3. power supply status indicator | 4. release latch |
| 5. power supply handle | |

Installing A DC Power Supply

WARNING: For equipment using $-48-60$ V DC power supplies, a qualified electrician must perform all connections to DC power and to safety grounds. Do not attempt connecting to DC power or installing grounds yourself. All electrical wiring must comply with applicable local or national codes and practices. Damage due to servicing that is not authorized by Dell is not covered by your warranty. Read and follow all safety instructions that came with the product.

1. Verify that both the power supplies are the same type and have the same maximum output power.
 - NOTE:** The maximum output power (shown in Watts) is listed on the power supply label.
2. If applicable, remove the power supply blank.
3. Slide the new power supply into the chassis until the power supply is fully seated and the release latch snaps into place.
 - NOTE:** If you unlatched the cable management arm, re-latch it. For information about the cable management arm, see the system's rack documentation.
4. Connect the safety ground wire.
5. Install the DC power connector in the power supply.
 - CAUTION:** When connecting the power wires, secure the wires with the strap to the power supply handle.
6. Connect the wires to a DC power source.
 - NOTE:** When installing, hot-swapping, or hot-adding a new power supply, allow several seconds for the system to recognize the power supply and determine its status. The power-supply status indicator turns green to signify that the power supply is functioning properly.

Removing The Power Supply Blank

CAUTION: To ensure proper system cooling, the power supply blank must be installed in the second power supply bay in a non-redundant configuration. Remove the power supply blank only if you are installing a second power supply.

1. Hold the power supply blank and disengage the tabs from the slots on the chassis.
2. Slightly pull down and remove the power supply blank out of the power supply bay.

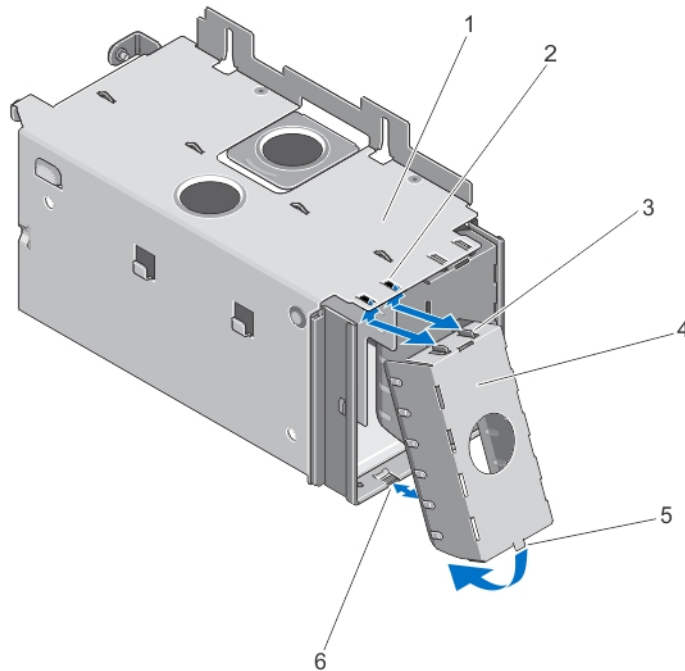


Figure 50. Removing and Installing the Power Supply Blank

- | | |
|-------------------------------|----------------------------------|
| 1. power supply bay | 2. slots on PSU bay |
| 3. tabs on power supply blank | 4. power supply blank |
| 5. tab at the bottom of blank | 6. slot at the bottom of PSU bay |

Installing The Power Supply Blank

NOTE: Install the power supply blank only in the second power supply bay.

To install the power supply blank:

1. Align the power supply blank tabs with the slots on the power supply bay.
2. Insert the power supply blank until the tabs are engaged with the slots and snaps into place.

Power Distribution Board

Your system supports two Power Distribution Boards (PDBs) connected to the system board. PDBs are located on the left and right sides of system and supports both AC/DC power supplies for your system.

Removing The Power Supply Bay

CAUTION: Many repairs may only be done by a certified service technician. You should only perform troubleshooting and simple repairs as authorized in your product documentation, or as directed by the online or telephone service and support team. Damage due to servicing that is not authorized by Dell is not covered by your warranty. Read and follow the safety instructions that came with the product.

1. Turn off the system, including any attached peripherals, and disconnect the system from the electrical outlet.
2. Open the system.
3. As applicable, remove the AC or DC power supply and power supply blanks from the power supply bay.
4. Remove the storage controller card (applicable for the left power supply bay).
5. If applicable, remove the optional riser 2 and 3.
6. Press the spring latch (with your index finger and thumb) on top of the power supply bay and pull the bay away from the chassis side wall.
7. Pull the power supply bay, so that the PDB is disconnected from the connector on the system board.
Follow the same procedure for the removal of other power supply bay in the system.

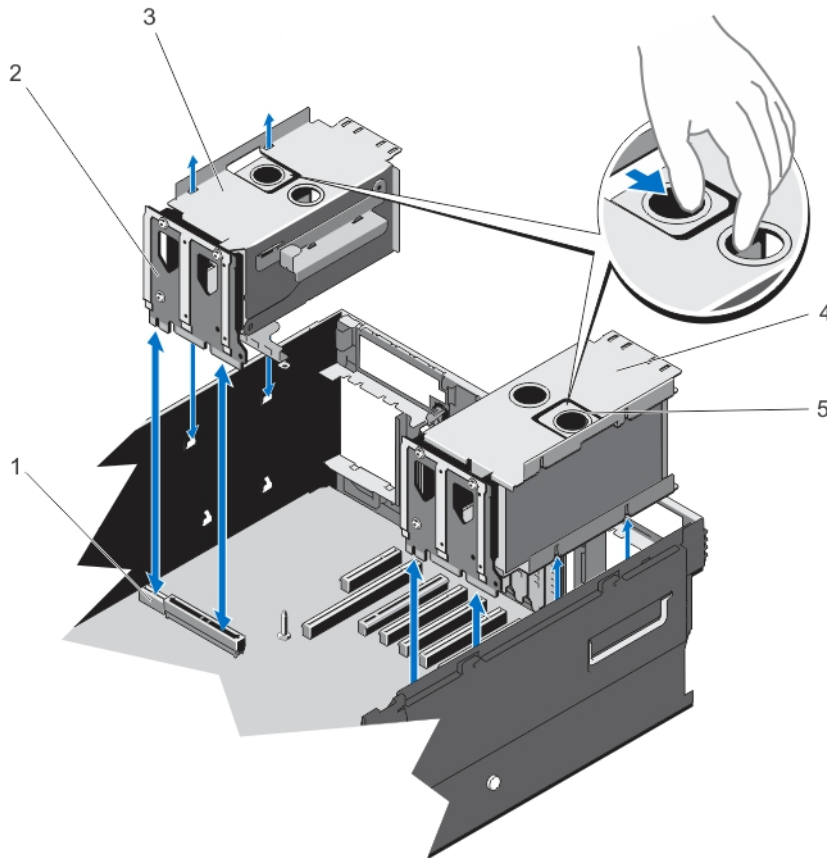


Figure 51. Removing and Installing the Power Supply Bay


1. PDB connector on the system board
2. PDB

3. power supply bay (left)
4. power supply bay (right)
5. finger grips on the power supply bay

Installing The Power Supply Bay

1. Position the power supply bay to the side of the chassis.
2. Align four slots on the power supply bay with the hooks on the side wall of the chassis.
3. Align the PDB with the connector on the system board.
4. Press the power supply bay, so that the PDB seats firmly into the connector on the system chassis and the pin snaps in place to lock the power supply bay to the chassis.
5. Close the system.
6. Reconnect the system to the electrical outlet and turn the system on, including any attached peripherals.

Removing The Power Distribution Board

 **CAUTION: Many repairs may only be done by a certified service technician. You should only perform troubleshooting and simple repairs as authorized in your product documentation, or as directed by the online or telephone service and support team. Damage due to servicing that is not authorized by Dell is not covered by your warranty. Read and follow the safety instructions that came with the product.**

1. Turn off the system, including any attached peripherals, and disconnect the system from the electrical outlet.
2. Open the system.
3. As applicable, remove the AC or DC power supply and power supply blank from the power supply bay.
4. Remove the storage controller card.
5. If applicable, remove riser 2 and riser 3.
6. Remove the power supply bay.
7. The PDBs are located at the rear side of the power supply bay. Using a 10 in-lb. torque tool, remove the three screws securing the PDB to the power supply bay.
8. Take the PDB off the power supply unit.

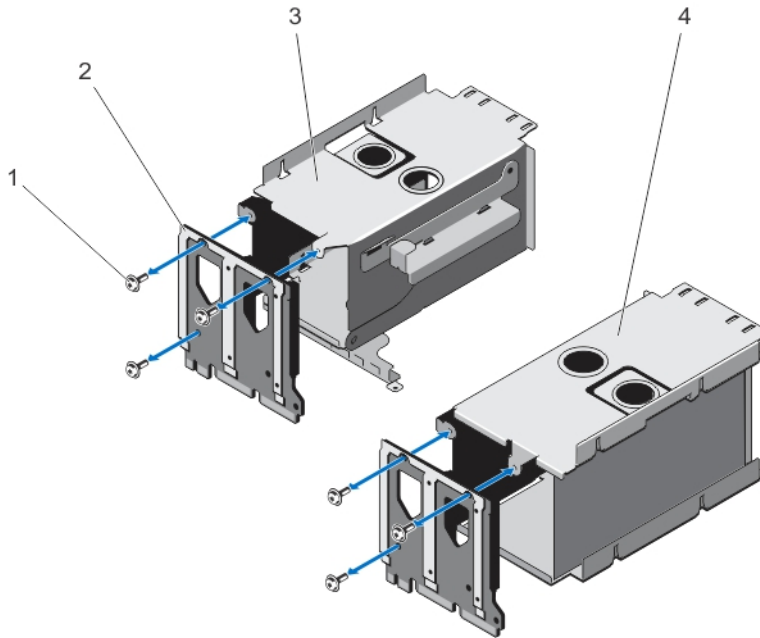


Figure 52. Removing and Installing the Power Distribution Board

- | | |
|----------------------------|-----------------------------|
| 1. screw (3) | 2. power distribution board |
| 3. power supply bay (left) | 4. power supply bay (right) |

Installing The Power Distribution Board

CAUTION: Many repairs may only be done by a certified service technician. You should only perform troubleshooting and simple repairs as authorized in your product documentation, or as directed by the online or telephone service and support team. Damage due to servicing that is not authorized by Dell is not covered by your warranty. Read and follow the safety instructions that came with the product.

1. Unpack the new power distribution board assembly.
2. Align the three screw holes on the PDB with the holes on the power supply bay.
3. Using a 10 in-lb. torque tool, tighten the screws to secure the PDB to the power supply bay.
4. Install the power supply bay.
5. As applicable, install the AC or DC power supplies and power supply blank.
6. Close the system.
7. Reconnect the system to its electrical outlet and turn the system on, including any attached peripherals.

System Battery

Replacing The System Battery

WARNING: There is a danger of a new battery exploding if it is incorrectly installed. Replace the battery only with the same or equivalent type recommended by the manufacturer. See your safety information for additional information.

CAUTION: Many repairs may only be done by a certified service technician. You should only perform troubleshooting and simple repairs as authorized in your product documentation, or as directed by the online or telephone service and support team. Damage due to servicing that is not authorized by Dell is not covered by your warranty. Read and follow the safety instructions that came with the product.

1. Turn off the system, including any attached peripherals, and disconnect the system from the electrical outlet and peripherals.
2. Open the system.
3. Remove the PDB.
4. Locate the battery socket.

CAUTION: To avoid damage to the battery connector, you must firmly support the connector while installing or removing a battery.

5. To remove the battery, support the battery connector by pressing down firmly on the positive side of the connector.

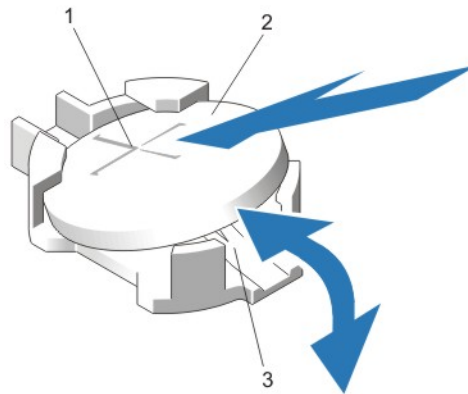


Figure 53. Replacing the System Battery

1. positive side of battery connector
2. system battery
3. negative side of battery connector
6. Lift the battery out of the securing tabs at the negative side of the connector.
7. To install a new system battery, support the battery connector by pressing down firmly on the positive side of the connector.
8. Hold the battery with the "+" facing up and slide it under the securing tabs at the positive side of the connector.
9. Press the battery straight down into the connector until it snaps into place.
10. Install the PDB.
11. Close the system.
12. Reconnect the system to the electrical outlet and turn the system on, including any attached peripherals.
13. Enter the System Setup to confirm that the battery is operating properly.
14. Enter the correct time and date in the System Setup **Time** and **Date** fields.
15. Exit the System Setup.


Hard-Drive Backplane

Depending on the configuration, your system supports the following backplanes:

- 2.5 inch (x4) SAS/SATA backplane

- 2.5 inch (x24) SAS/SATA backplane
- 2.5 inch (x16) SAS/SATA backplane and 2.5 inch (x8) Dell PowerEdge Express Flash (PCIe SSD) backplane

Removing The Hard-Drive Backplane


 **CAUTION:** Many repairs may only be done by a certified service technician. You should only perform troubleshooting and simple repairs as authorized in your product documentation, or as directed by the online or telephone service and support team. Damage due to servicing that is not authorized by Dell is not covered by your warranty. Read and follow the safety instructions that came with the product.

1. If installed, remove the front bezel.
2. Turn off the system, including any attached peripherals, and disconnect the system from the electrical outlet.
3. Open the system.

 **CAUTION:** To prevent damage to the drives and backplane, you must remove the hard drives from the system before removing the backplane.

 **CAUTION:** You must note the number of each hard drive and temporarily label them before removal so that you can replace them in the same locations.

4. Remove all hard drives.
5. Remove the following:
 - a. as applicable, memory risers/memory riser blank
 - b. cooling fans
 - c. memory riser and fan cage
6. Remove the SAS expander daughter card sled.

 **NOTE:** Not applicable for the 2.5 inch (x4) SAS/SATA backplane configuration.

7. Disconnect the SAS/SATA/SSD data, signal, and power cable(s) from the backplane and system board.
8. Push the backplane blue release tab(s) in the direction of the arrow(s) and lift the backplane upward.
9. Pull the backplane away from the system until the securing slots are free from the hooks on the chassis.

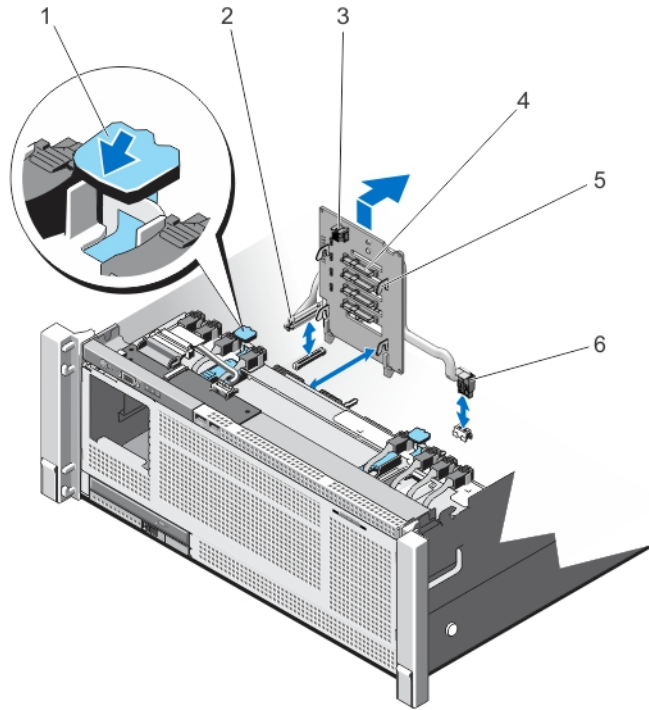


Figure 54. Removing and Installing the 2.5 Inch (x4) SAS/SATA Backplane

- | | |
|-----------------------|--|
| 1. release tab | 2. system board miscellaneous signal cable |
| 3. SAS connector | 4. hard drive connector |
| 5. backplane hook (4) | 6. backplane power cable |

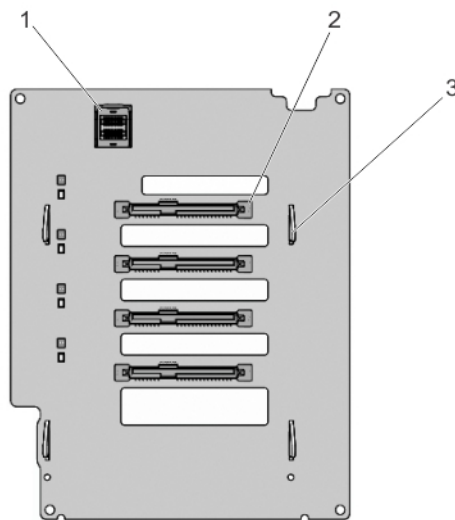


Figure 55. 2.5 Inch (x4) SAS/SATA Backplane—Front view

- | | |
|-----------------------------------|-------------------------|
| 1. SAS connector on the backplane | 2. hard drive connector |
| 3. backplane hook (4) | |

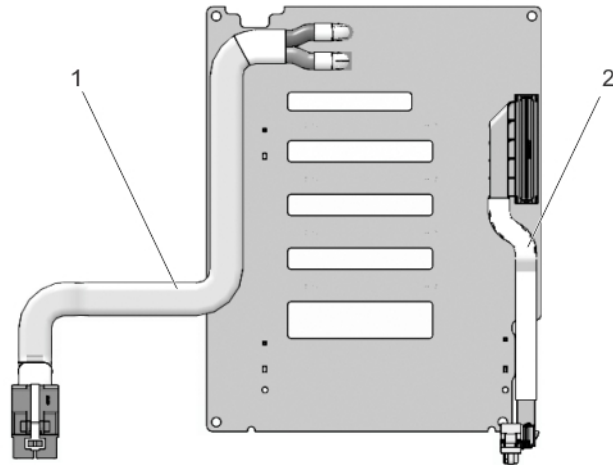


Figure 56. 2.5 Inch (x4) SAS/SATA Backplane—Back view

- | | |
|--------------------------|--|
| 1. backplane power cable | 2. system board miscellaneous signal cable |
|--------------------------|--|

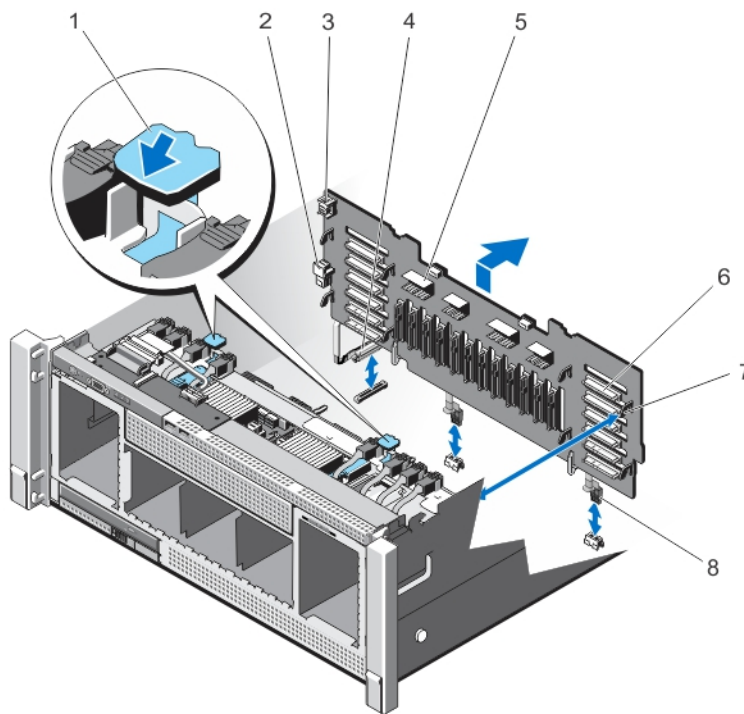


Figure 57. Removing and Installing the 2.5 Inch (x24) SAS/SATA Backplane

- | | |
|--|-------------------------------|
| 1. release tab (2) | 2. backplane jumper connector |
| 3. backplane jumper connector for the expander daughter card | 4. backplane power cable |
| 5. SAS connector | 6. hard drive connector |
| 7. backplane hook (8) | 8. backplane power cable |

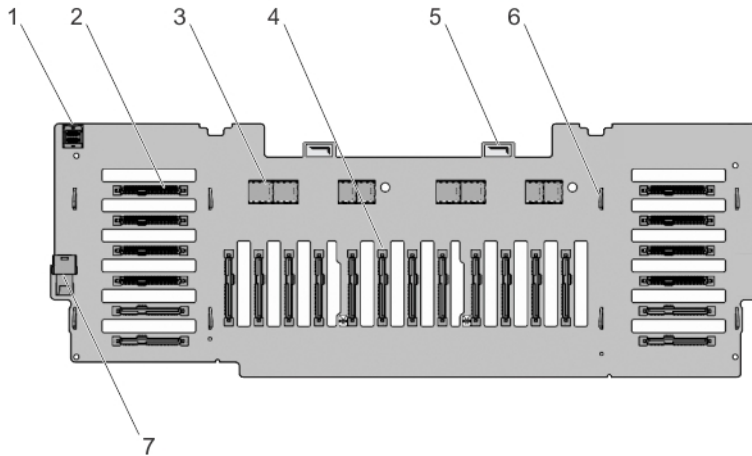


Figure 58. 2.5 Inch (x24) SAS/SATA Backplane—Front view

- | | |
|-------------------------------|-------------------------|
| 1. jumper connector | 2. hard drive connector |
| 3. SAS connector | 4. hard drive connector |
| 5. backplane loops | 6. backplane hook (8) |
| 7. backplane jumper connector | |

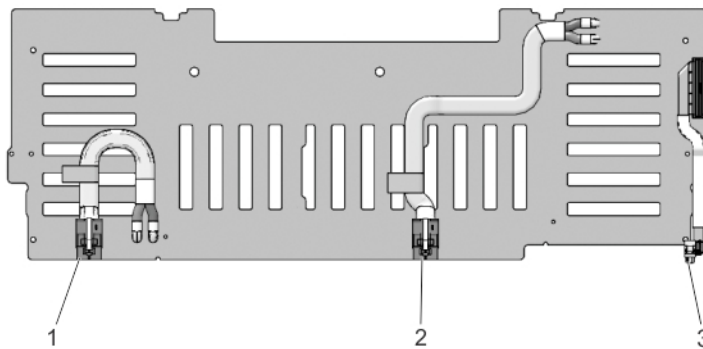


Figure 59. 2.5 Inch (x24) SAS/SATA Backplane—Back view

- | | |
|--|--------------------------------|
| 1. backplane power connector 1 | 2. backplane power connector 2 |
| 3. system board miscellaneous signal cable | |

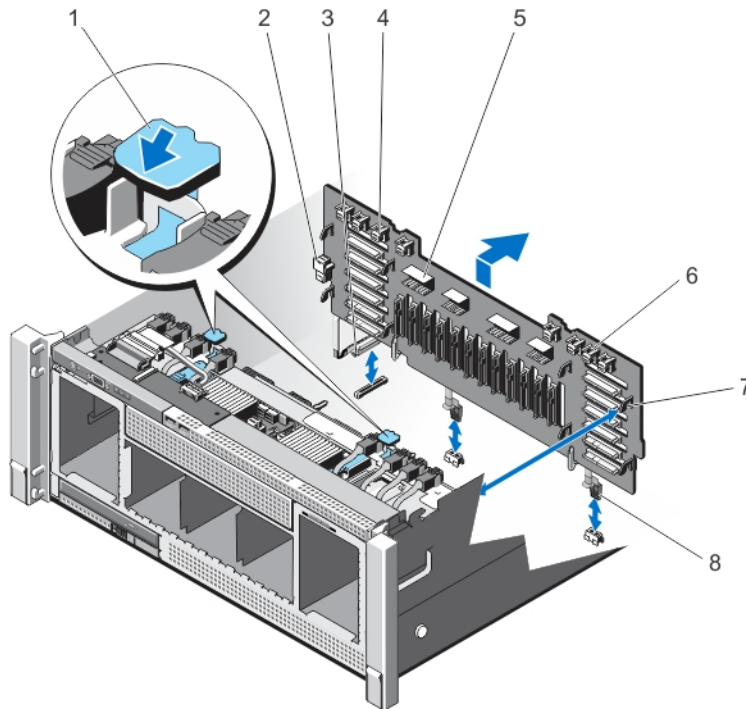


Figure 60. Removing and Installing the 2.5 Inch (x16) SAS/SATA and (x8) PCIe SSD Backplane

- | | |
|--|--|
| 1. release tab (2) | 2. backplane jumper connector |
| 3. system board miscellaneous signal cable | 4. primary PCIe SSD extender mini-SAS HD connector (4) |
| 5. SAS connector | 6. secondary PCIe SSD extender mini-SAS HD connector (4) |
| 7. backplane hook (8) | 8. backplane power connector |

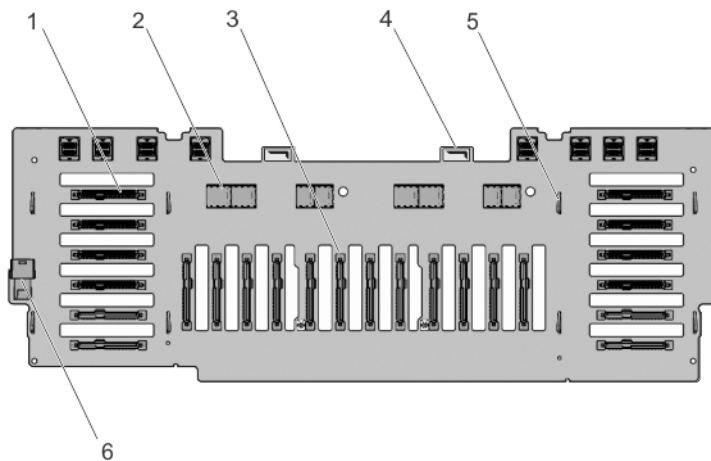


Figure 61. 2.5 Inch (x16) SAS/SATA and (x8) PCIe SSD Backplane—Front view

- | | |
|-------------------------|-----------------------|
| 1. hard drive connector | 2. SAS connector |
| 3. hard drive connector | 4. backplane loop (2) |

- 5. backplane hook (8)
- 6. jumper connector to the expander daughter card

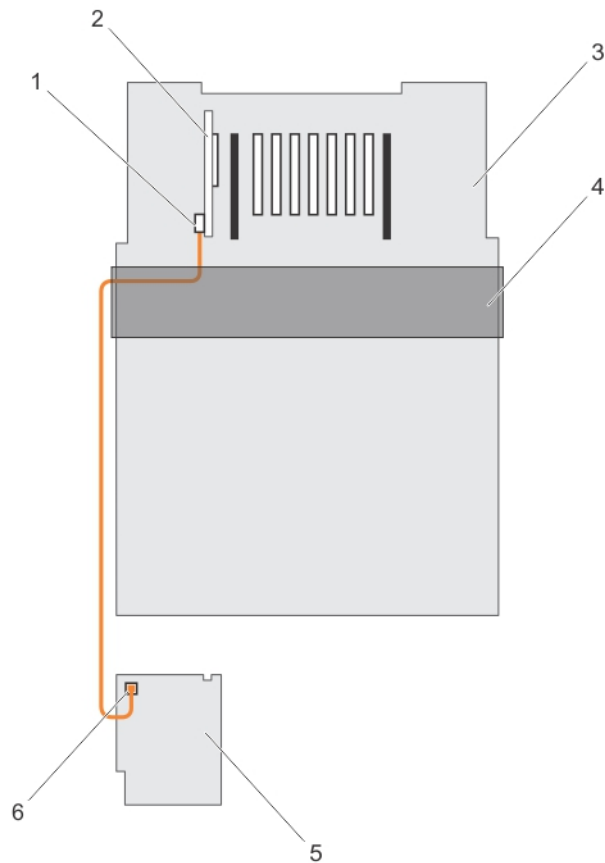


Figure 62. Cabling—2.5 Inch (x4) SAS/SATA Backplane with PERC 9

- 1. SAS cable connector on the integrated storage controller card
- 2. integrated storage controller card (PERC 9)
- 3. system board
- 4. cable management tray
- 5. x4 hard drive backplane
- 6. SAS connector on the backplane

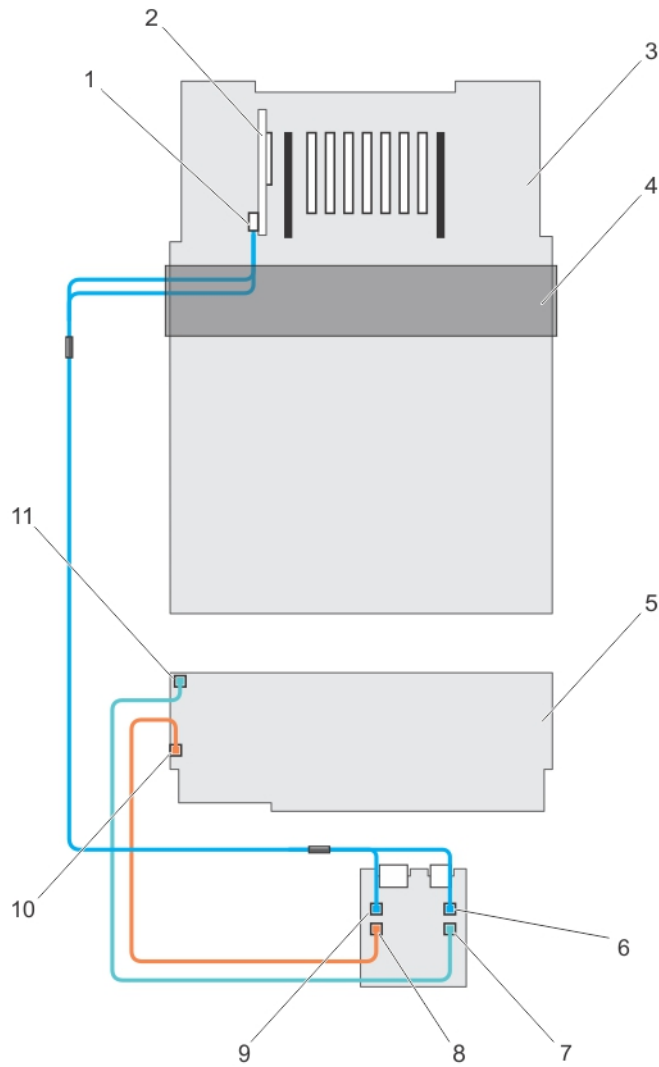


Figure 63. Cabling—2.5 Inch (x24) SAS/SATA Backplane with PERC 9

- | | |
|--|---|
| 1. SAS (A&B) cable connector on the integrated storage controller card | 2. integrated storage controller card (PERC 9) |
| 3. system board | 4. cable management tray |
| 5. x24 hard drive backplane | 6. SAS B cable connector on the expander daughter card |
| 7. backplane jumper cable connector on the expander daughter card | 8. SAS jumper cable connector on the expander daughter card |
| 9. SAS A cable connector on the expander daughter card | 10. SAS jumper cable connector on the backplane |
| 11. backplane jumper cable connector on the backplane | |

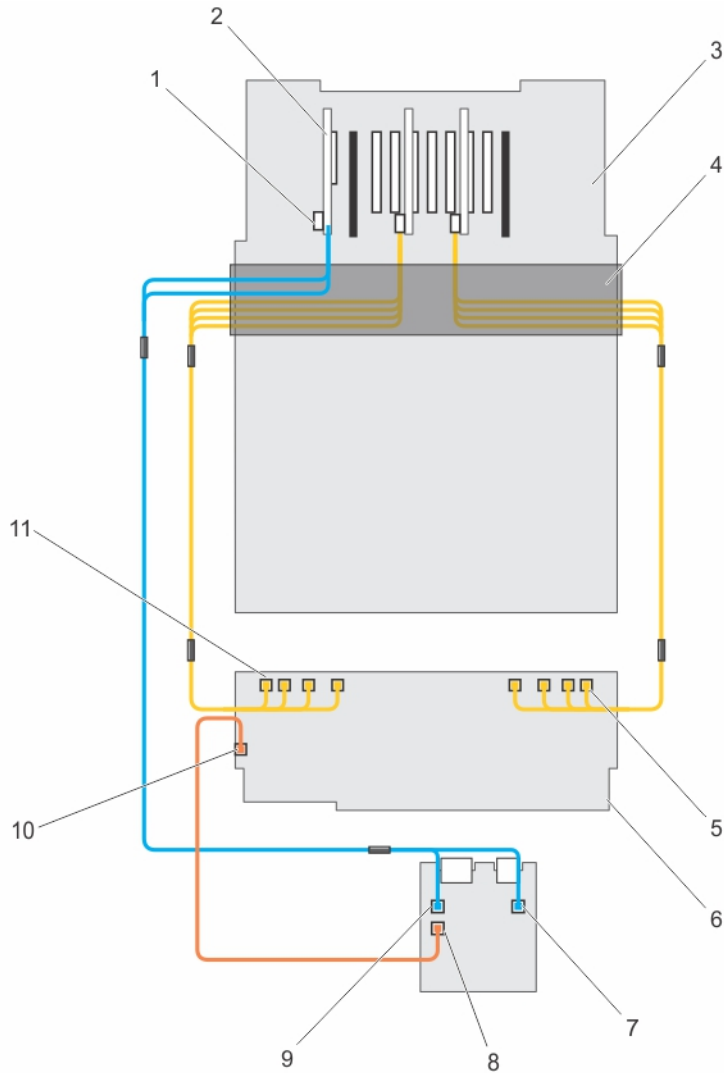


Figure 64. Cabling—2.5 Inch (x16) SAS/SATA and (x8) PCIe SSD Backplane (left and right side)

- | | |
|--|---|
| 1. SAS (A&B) cable connector on the integrated storage controller card | 2. integrated storage controller card |
| 3. system board | 4. cable management tray |
| 5. secondary PCIe SSD extender mini-SAS HD connector (A to D) | 6. x24 hard-drive backplane |
| 7. SAS B cable connector on the expander daughter card | 8. SAS jumper cable connector on the expander daughter card |
| 9. SAS A cable connector on the expander daughter card | 10. SAS jumper cable connector on the backplane |
| 11. primary PCIe SSD extender mini-SAS HD connector (A to D) | |

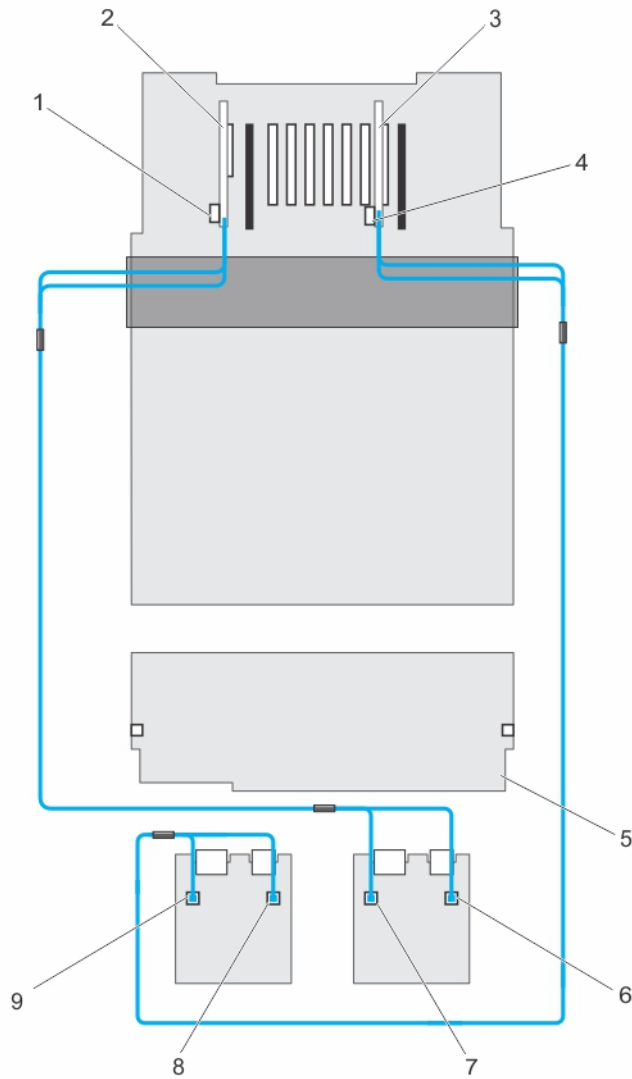




Figure 65. Cabling— x24 Backplane With Dual PERC And Dual SAS Expander Cards

- | | |
|--|--|
| 1. SAS cable connector on the primary integrated storage controller card | 2. integrated storage controller card (primary card) |
| 3. integrated storage controller card (secondary card) | 4. SAS cable connector on the secondary integrated storage controller card |
| 5. x24 hard drive backplane | 6. primary daughter card SAS B connector |
| 7. primary daughter card SAS A connector | 8. secondary daughter card SAS B connector |
| 9. secondary daughter card SAS A connector | |

Installing The Hard-Drive Backplane

 **CAUTION:** Many repairs may only be done by a certified service technician. You should only perform troubleshooting and simple repairs as authorized in your product documentation, or as directed by the online or telephone service and support team. Damage due to servicing that is not authorized by Dell is not covered by your warranty. Read and follow the safety instructions that came with the product.

1. Align the slots on the hard-drive backplane with the hooks on the chassis.
 -  **NOTE:** Before installing the hard-drive backplane, ensure that the hard drives are removed.
2. Slide down the hard-drive backplane until the release tabs snap into place.
3. Connect the SAS/SATA/ PCIe SSD data, signal, and power cable(s) to the backplane.
4. Replace the SAS expander daughter card tray.
5. Route the cables along the chassis wall as follows:
 - a. left side of the chassis wall route the control panel/USB cable, PERC card cable, and PCIeSSD cables.
 - b. right side of the chassis wall route the PERC card cable first and then the PCIeSSD cables.
6. Install the hard drives in their original locations.
7. Close the system.
8. Reconnect the system to its electrical outlet and turn the system on, including any attached peripherals.
9. If applicable, install the front bezel.


SAS Expander Daughter Card

The systems storage uses SAS expander daughter card to facilitate:

- transition of SAS technology from 6 Gb/s to 12 Gb/s
- maximize the hard disk drive space
- provide the configuration flexibility and cabling and signalling issues of the system

The daughter card uses LSI expander chips that supports:

- Up to 12 gb/s SAS
- Up to 6 Gb/s SAS and SATA
- Serial SCSI Protocol (SSP)
- Spanning-Tree Protocol (STP)
- Simple Management Protocol (SMP) and their communication with the RAID controllers.

 **NOTE:** The expander daughter card sled supports up to two daughter cards(depending on the configuration).

Removing The SAS Expander Daughter Card

1. Turn off the system, including any attached peripherals, and disconnect the system from the electrical outlet and peripherals.
2. Open the system.
3. Locate the SAS expander daughter card on the system.
4. Disconnect the SAS cables connected to the SAS expander daughter card and hard-drive backplane.
5. Push or lift the riser release tabs upwards, so that the tabs are in 90 degrees position.

While lifting the release tabs, the SAS expander daughter card sled slides out disengaging itself from the backplane slots, towards the front of the system.

6. Pull and remove the SAS expander daughter card sled out of the system chassis.

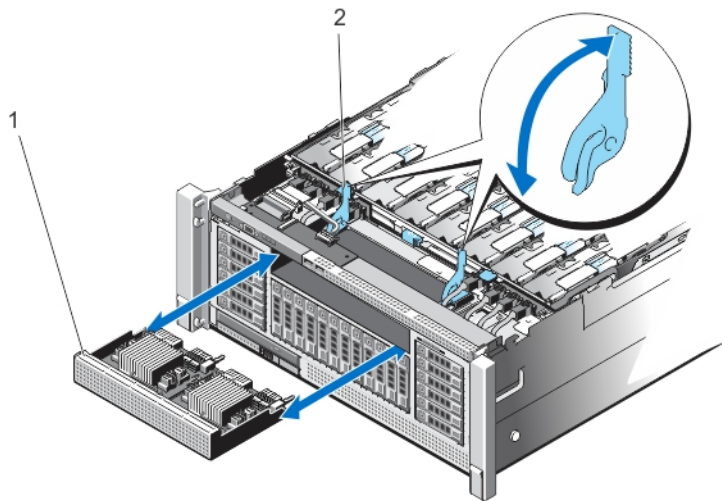


Figure 66. Removing and Installing the SAS Expander Daughter Card

1. SAS expander daughter card sled
2. release tab (2)

Installing The SAS Expander Daughter Card

1. Press the two release tabs inwards to release the lock.
Once the lock is released, the release tabs pop-up.
2. Align the SAS expander daughter card with the opening on the front-panel of the system.
3. Slowly push the SAS expander daughter card inside the chassis.
Do not apply any pressure to lock the card.
4. Verify, if the SAS expander daughter card pins are inserted in the slots of the backplane.
5. Press the release tabs to lock the SAS expander daughter card.
6. Connect the SAS cables.
7. Close the system.
8. Reconnect the system to its electrical outlet and turn the system on, including any attached peripherals.

Control Panel Board

Removing The Control Panel Board

CAUTION: Many repairs may only be done by a certified service technician. You should only perform troubleshooting and simple repairs as authorized in your product documentation, or as directed by the online or telephone service and support team. Damage due to servicing that is not authorized by Dell is not covered by your warranty. Read and follow the safety instructions that came with the product.

1. Turn off the system and attached peripherals, and disconnect the system from the electrical outlet.
2. Open the system.
3. Disconnect the cables connected to the control panel board.

NOTE: Note the routing of the cables on the side of the system as you remove them from the control panel board. You must route these cables properly when you replace them inside the shim stock pieces to prevent them from being pinched or crimped.

4. Using a Phillips screwdriver, remove the two screws that secure the control panel board to the chassis.
5. Slide the control panel board toward the back of the system and remove.

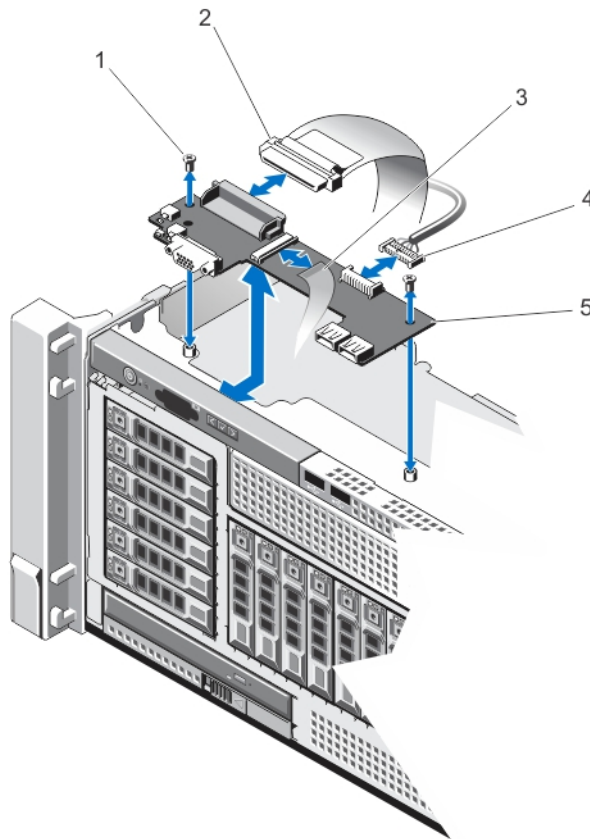


Figure 67. Removing and Installing the Control Panel Board

- | | |
|---|----------------------------------|
| 1. screw securing the control panel board (2) | 2. control panel connector cable |
| 3. display module cable | 4. USB connector cable |
| 5. control panel board | |

Installing The Control Panel Board


CAUTION: Many repairs may only be done by a certified service technician. You should only perform troubleshooting and simple repairs as authorized in your product documentation, or as directed by the online or telephone service and support team. Damage due to servicing that is not authorized by Dell is not covered by your warranty. Read and follow the safety instructions that came with the product.


1. Align the screw holes on the control panel board with the holes on the chassis.
2. Using a Phillips driver, tighten the screws that secure the control panel board to the chassis.
3. Connect all the cables to the control panel board.

4. Close the system.
5. Reconnect the system to its electrical outlet and turn the system on, including any attached peripherals.

System Board

Removing The System Board


 **CAUTION:** Many repairs may only be done by a certified service technician. You should only perform troubleshooting and simple repairs as authorized in your product documentation, or as directed by the online or telephone service and support team. Damage due to servicing that is not authorized by Dell is not covered by your warranty. Read and follow the safety instructions that came with the product.

 **CAUTION:** If you are using the Trusted Program Module (TPM) with an encryption key, you may be prompted to create a recovery key during program or System Setup. Be sure to create and safely store this recovery key. If you replace this system board, you must supply the recovery key when you restart your system or program before you can access the encrypted data on your hard drives.


1. Turn off the system, including any attached peripherals, and disconnect the system from the electrical outlet.
2. If installed, remove the front bezel.
3. Open the system.
4. Disconnect the cables to the system board, SAS backplane, and control panel board.
5. Remove the following:
 - a. cable management tray
 - b. cooling fans (6)
 - c. memory risers (8)
 - d. memory riser and fan cage
 - e. fan tray

 **WARNING:** The heat sink is hot to touch for some time after the system has been powered down. Ensure that you do not touch the heat sink(s) while removing the system board.

- f. processor heat sink/heat sink blanks
 - g. processors (if required)
 - h. power supply(s)
 - i. power supply unit bays with power distribution boards (2)
 - j. NDC riser (I/O riser 1)
 - k. expansion-card risers, expansion card(s)/integrated storage controller cards
 - l. internal USB key (if installed)
 - m. SAS backplanes
 - n. optical drive
6. Disconnect all cables from the system board.


 **CAUTION:** Do not lift the system board assembly by holding a memory module, processor, or other components.

7. Grasp the system-board using the memory riser guides, lift the blue release pin and slide the system board toward the front of the system.

- j. cooling fans (6)
 - k. cable management tray
 - l. SAS backplane
 - m. internal USB key (if installed)
 - n. optical drive
5. Reconnect the cables to the system board, hard-drive backplane, control panel board, and the optical drive cable (if applicable).
-  **NOTE:** Ensure that the cables inside the system are routed along the chassis wall and secured using the shimstock pieces.
6. Close the system.
7. Reconnect the system to its electrical outlet and turn the system on, including any attached peripherals.
8. Import your new or existing iDRAC7 Enterprise license. For more information, see *iDRAC7 version 1.40.40 User's Guide*, at dell.com/support/manuals.

Troubleshooting Your System

Safety First—For You And Your System

 **CAUTION:** Many repairs may only be done by a certified service technician. You should only perform troubleshooting and simple repairs as authorized in your product documentation, or as directed by the online or telephone service and support team. Damage due to servicing that is not authorized by Dell is not covered by your warranty. Read and follow the safety instructions that came with the product.

Troubleshooting System Startup Failure

If you boot the system to the BIOS boot mode after installing an operating system from the UEFI Boot Manager, the system hangs. The reverse is also true. You must boot to the same boot mode in which you installed the operating system.

For all other startup issues, note the system messages that appear on the screen.

Troubleshooting External Connections

Ensure that all external cables are securely attached to the external connectors on your system before troubleshooting any external devices.

Troubleshooting The Video Subsystem

1. Check the system and power connections to the monitor.
2. Check the video interface cabling from the system to the monitor.
3. Run the appropriate diagnostic test.

If the tests run successfully, the problem is not related to video hardware.

If the tests fail, see [Getting Help](#).

Troubleshooting A USB Device

Use the following steps to troubleshoot a USB keyboard/mouse. For other USB devices, go to step 7.

1. Disconnect the keyboard and mouse cables from the system briefly and reconnect them.
2. Connect the keyboard/mouse to the USB port(s) on the opposite side of the system.
3. If the problem is resolved, restart the system, enter the System Setup, and check if the non-functioning USB ports are enabled.
4. Replace the keyboard/mouse with another working keyboard/mouse.
5. If the problem is resolved, replace the faulty keyboard/mouse.

6. If the problem is not resolved, proceed to the next step to begin troubleshooting the other USB devices attached to the system.
7. Power down all attached USB devices and disconnect them from the system.
8. Reboot the system and, if your keyboard is functioning, enter the System Setup. Verify that all USB ports are enabled on the **Integrated Devices** screen, in the System Setup options.
If your keyboard is not functioning, you can also use remote access. If the system is not accessible, reset the NVRAM_CLR jumper inside your system and restore the BIOS to the default settings.
9. Reconnect and power on each USB device one at a time.
10. If a device causes the same problem, power down the device, replace the USB cable with a known good cable, and power up the device.

If all troubleshooting fails, see [Getting Help](#).

Troubleshooting A Serial I/O Device

1. Turn off the system and any peripheral devices connected to the serial port.
2. Swap the serial interface cable with a working cable, and turn on the system and the serial device.
If the problem is resolved, replace the interface cable with a known good cable.
3. Turn off the system and the serial device, and swap the device with a comparable device.
4. Turn on the system and the serial device.

If the problem persists, see [Getting Help](#).

Troubleshooting A Wet System



CAUTION: Many repairs may only be done by a certified service technician. You should only perform troubleshooting and simple repairs as authorized in your product documentation, or as directed by the online or telephone service and support team. Damage due to servicing that is not authorized by Dell is not covered by your warranty. Read and follow the safety instructions that came with the product.



WARNING: When troubleshooting a wet system, ensure the power cables are unplugged and the flea power is drained off the system board or it may expose you to a risk of electric shock.

1. Turn off the system and attached peripherals, and disconnect the system from the electrical outlet.
2. Open the system.
3. Disassemble components from the system:
 - Hard drives
 - Optical drive
 - Hard-drive backplane
 - USB memory key
 - NIC hardware key
 - SD cards
 - Cable Management Tray
 - Expansion cards and expansion-card risers
 - Network Daughter Card Riser (Riser 1)
 - Power supply(s)
 - Cooling-fans
 - Memory risers

- Memory riser and fan cage
 - Processor(s) and heat sink(s)
4. Let the system dry thoroughly for at least 24 hours.
 5. Reinstall the components you removed in step 3.
 6. Close the system.
 7. Turn on the system and attached peripherals.
If the system does not start properly, see [Getting Help](#).
 8. If the system starts properly, shut down the system and reinstall all of the expansion cards that you removed.
 9. Run the appropriate diagnostic test. For more information, see Using System Diagnostics.

If the tests fail, see [Getting Help](#).

Troubleshooting A Damaged System





CAUTION: Many repairs may only be done by a certified service technician. You should only perform troubleshooting and simple repairs as authorized in your product documentation, or as directed by the online or telephone service and support team. Damage due to servicing that is not authorized by Dell is not covered by your warranty. Read and follow the safety instructions that came with the product.

1. Turn off the system and attached peripherals, and disconnect the system from the electrical outlet.
2. Open the system.
3. Ensure that the following components are properly installed:
 - Hard-drive carriers
 - Hard-drive backplane
 - Hard drives
 - Cable Management Tray
 - Expansion cards and expansion-card risers
 - Power supply(s)
 - Memory risers
 - Cooling fans
 - Memory riser and fan cage
 - SD cards
 - USB memory key
 - NIC hardware key
 - Network Daughter Card riser (Riser 1)
 - Processor(s) and heat sink(s)
4. Ensure that all cables are properly connected.
5. Close the system.
6. Run the appropriate diagnostic test. For more information, see Using System Diagnostics.

If the tests fail, see [Getting Help](#).


Troubleshooting The System Battery

 **CAUTION:** Many repairs may only be done by a certified service technician. You should only perform troubleshooting and simple repairs as authorized in your product documentation, or as directed by the online or telephone service and support team. Damage due to servicing that is not authorized by Dell is not covered by your warranty. Read and follow the safety instructions that came with the product.

 **NOTE:** If the system is turned off for long periods of time (for weeks or months), the NVRAM may lose its system configuration information. This situation is caused by a defective battery.

1. Re-enter the time and date in the System Setup.
2. Turn off the system and disconnect it from the electrical outlet for at least one hour.
3. Reconnect the system to the electrical outlet and turn on the system.
4. Enter the System Setup.
If the date and time are not correct in the System Setup, check the SEL for system battery messages.


If the problem persists, see [Getting Help](#).

 **NOTE:** Some software may cause the system time to speed up or slow down. If the system seems to operate normally except for the time kept in the System Setup, the problem may be caused by software rather than by a defective battery.


Troubleshooting Power Supplies

 **CAUTION:** Many repairs may only be done by a certified service technician. You should only perform troubleshooting and simple repairs as authorized in your product documentation, or as directed by the online or telephone service and support team. Damage due to servicing that is not authorized by Dell is not covered by your warranty. Read and follow the safety instructions that came with the product.

 **CAUTION:** At least one power supply must be installed for the system to operate. Operating the system with only one power supply installed for extended periods of time can cause the system to overheat.

1. Identify the faulty power supply by the power supply's fault indicator.
2. Reseat the power supply by removing and reinstalling it.
 **NOTE:** After installing a power supply, allow several seconds for the system to recognize the power supply and to determine if it is working properly.
3. If the problem persists, see [Getting Help](#).

Troubleshooting Cooling Problems


 **CAUTION:** Many repairs may only be done by a certified service technician. You should only perform troubleshooting and simple repairs as authorized in your product documentation, or as directed by the online or telephone service and support team. Damage due to servicing that is not authorized by Dell is not covered by your warranty. Read and follow the safety instructions that came with the product.

Ensure that none of the following conditions exist:


- System cover, memory-riser blank, drive blank, memory-module blank, power-supply blank, processor blank, or back-filler bracket is removed.
- Ambient temperature is too high.
- External airflow is obstructed.
- A cooling fan is removed or has failed.

- The expansion card installation guidelines have not been followed.


Troubleshooting Cooling Fans

 **CAUTION:** Many repairs may only be done by a certified service technician. You should only perform troubleshooting and simple repairs as authorized in your product documentation, or as directed by the online or telephone service and support team. Damage due to servicing that is not authorized by Dell is not covered by your warranty. Read and follow the safety instructions that came with the product.

1. Open the system.

 **CAUTION:** The cooling fans are hot-swappable. To maintain proper cooling while the system is on, only replace one fan at a time.


2. Locate the faulty fan indicated by the ESM
3. Reseat the fan or the fan's power cable.

 **NOTE:** Wait at least 30 seconds for the system to recognize the fan and determine whether it is working properly.

4. If the problem is not resolved, install a new fan.
5. If the fan functions properly, close the system.

If the problem persists, see [Getting Help](#).

Troubleshooting System Memory

 **CAUTION:** Many repairs may only be done by a certified service technician. You should only perform troubleshooting and simple repairs as authorized in your product documentation, or as directed by the online or telephone service and support team. Damage due to servicing that is not authorized by Dell is not covered by your warranty. Read and follow the safety instructions that came with the product.

1. If the system is operational, run the appropriate diagnostic test. See Using System Diagnostics for available diagnostic tests.

If diagnostics indicates a fault, follow the corrective actions provided by the diagnostic program.

2. If the system is not operational, turn off the system and attached peripherals, and unplug the system from the power source. Wait at least 10 seconds and then reconnect the system to power.

3. Turn on the system and attached peripherals and note the messages on the screen.

If an error message is displayed indicating a fault with a specific memory module, go to step 14.

4. Enter the System Setup and check the system memory setting. Make any changes to the memory settings, if needed.

If the memory settings match the installed memory but a problem is still indicated, go to step 14.

5. Turn off the system and attached peripherals, and disconnect the system from the electrical outlet.

6. Open the system.

7. Remove the memory risers.

8. Check the memory channels and ensure that they are populated correctly.

9. Reseat the memory modules in their sockets.

10. Install the memory risers.

11. Close the system.

12. Reconnect the system to its electrical outlet, and turn on the system and attached peripherals.


13. Enter the System Setup and check the system memory setting.

If the problem is not resolved, proceed with the next step.

14. If a diagnostic test or error message indicates a specific memory module as faulty, swap or replace the module with a known good memory module.
15. Open the system.
16. Remove the memory risers.
17. To troubleshoot an unspecified faulty memory module, replace the memory module in the first DIMM socket with a module of the same type and capacity.
If an error message is displayed on the screen, this may indicate a problem with the installed DIMM type(s), incorrect DIMM installation, or defective DIMM(s). Follow the on-screen instructions to resolve the problem. For more information, see General Memory Module Installation Guidelines.
18. Install the memory risers.
19. Close the system.
20. Reconnect the system to its electrical outlet, and turn on the system and attached peripherals.
21. As the system boots, observe any error message that is displayed and the diagnostic indicators on the front of the system.
22. If the memory problem is still indicated, repeat step 14 through step 19 for each memory module installed.

If the problem persists after all memory modules have been checked, see [Getting Help](#).


Troubleshooting An Internal USB Key


 **CAUTION:** Many repairs may only be done by a certified service technician. You should only perform troubleshooting and simple repairs as authorized in your product documentation, or as directed by the online or telephone service and support team. Damage due to servicing that is not authorized by Dell is not covered by your warranty. Read and follow the safety instructions that came with the product.

1. Enter the System Setup and ensure that the **USB key port** is enabled on the **Integrated Devices** screen.
2. Turn off the system and attached peripherals, and disconnect the system from the electrical outlet.
3. Open the system.
4. Locate the USB key and reseal it.
5. Close the system.
6. Turn on the system and attached peripherals and check if the USB key is functioning.
7. If the problem is not resolved, repeat step 2 and step 3.
8. Insert a different USB key that you know works properly.
9. Close the system.


If the problem is not resolved, see [Getting Help](#).


Troubleshooting An SD Card

 **CAUTION:** Many repairs may only be done by a certified service technician. You should only perform troubleshooting and simple repairs as authorized in your product documentation, or as directed by the online or telephone service and support team. Damage due to servicing that is not authorized by Dell is not covered by your warranty. Read and follow the safety instructions that came with the product.

 **NOTE:** Certain SD cards have a physical write-protect switch on the card. If the write-protect switch is turned on then the SD card is not writeable.


1. Enter the System Setup and ensure that the **Internal SD Card Port** is enabled.
2. Turn off the system, including any attached peripherals, and disconnect the system from the electrical outlet.
3. Open the system.

 **CAUTION:** If the **Internal SD Card Redundancy** option is set to **Mirror Mode** in the **Integrated Devices** screen of the **System Setup**, you must follow the instructions in **step 4** through **step 7** to avoid loss of data.

 **NOTE:** When an SD card failure occurs, the internal dual SD module controller notifies the system. On the next reboot, the system displays a message indicating the failure.

4. If the **Internal SD Card Redundancy** option is set to **Disabled**, replace the failed SD card with a new SD card.
5. If SD card 1 has failed, remove the card from SD card slot 1. If SD card 2 has failed, install a new SD card in SD card slot 2 and proceed to step 7.
6. Remove the card present in SD card slot 2 and insert it into SD card slot 1.
7. Insert the new SD card into SD card slot 2.
8. Close the system.
9. Reconnect the system to its electrical outlet and turn the system on, including any attached peripherals.
10. Enter the System Setup and ensure that the **Internal SD Card Port** and **Internal SD Card Redundancy** mode is enabled.
11. Check if the SD card is functioning properly.
If the problem persists, see [Getting Help](#).


Troubleshooting An Optical Drive

 **CAUTION:** Many repairs may only be done by a certified service technician. You should only perform troubleshooting and simple repairs as authorized in your product documentation, or as directed by the online or telephone service and support team. Damage due to servicing that is not authorized by Dell is not covered by your warranty. Read and follow the safety instructions that came with the product.

1. Try using a different CD or DVD.
2. Enter the System Setup and ensure that the integrated SATA controller and the drive's SATA port are enabled.
3. Run the appropriate diagnostic test.
4. Turn off the system and attached peripherals, and disconnect the system from the electrical outlet.
5. Open the system.
6. Remove the front bezel.
7. Ensure that the interface cable is securely connected to the optical drive and to the controller.
8. Ensure that a power cable is properly connected to the drive.
9. Close the system.

If the problem is not resolved, see [Getting Help](#).

Troubleshooting A Hard Drive

 **CAUTION:** Many repairs may only be done by a certified service technician. You should only perform troubleshooting and simple repairs as authorized in your product documentation, or as directed by the online or telephone service and support team. Damage due to servicing that is not authorized by Dell is not covered by your warranty. Read and follow the safety instructions that came with the product.

 **CAUTION:** This troubleshooting procedure can erase data stored on the hard drive. Before you proceed, back up all files on the hard drive.

1. Run the appropriate diagnostic test. For more information, see Using System Diagnostics.
Depending on the results of the diagnostics test, proceed as needed through the following steps.
2. If your system has a RAID controller and your hard drives are configured in a RAID array, perform the following steps:

- a. Restart the system and press <F10> during system startup to run the Lifecycle Controller, and then run the Hardware Configuration wizard to check the RAID configuration.
See the Lifecycle Controller documentation or online help for information on RAID configuration.
 - b. Ensure that the hard drive(s) have been configured correctly for the RAID array.
 - c. If there is a failed or offline hard drive in a redundant array, take the hard drive offline and reseal the drive.
 - d. Exit the configuration utility and allow the system to boot to the operating system.
3. Ensure that the required device drivers for your controller card are installed and are configured correctly. See the operating system documentation for more information.
 4. Restart the system and enter the System Setup.
 5. Verify that the controller is enabled and the drives are displayed in the System Setup.

If the problem persists, try troubleshooting the expansion cards or see [Getting Help](#).

Troubleshooting A Storage Controller



CAUTION: Many repairs may only be done by a certified service technician. You should only perform troubleshooting and simple repairs as authorized in your product documentation, or as directed by the online or telephone service and support team. Damage due to servicing that is not authorized by Dell is not covered by your warranty. Read and follow the safety instructions that came with the product.





NOTE: When troubleshooting a SAS or PERC controller, see the documentation for your operating system and the controller.

1. Run the appropriate diagnostic test. For more information, see [Using System Diagnostics](#).
2. Turn off the system and attached peripherals, and disconnect the system from the electrical outlet.
3. Open the system.
4. Verify that the installed expansion cards are compliant with the expansion card installation guidelines.
5. Ensure that each expansion card is firmly seated in its connector.
6. Close the system
7. Reconnect the system to the electrical outlet, and turn on the system and attached peripherals.
8. If the problem is not resolved, turn off the system and attached peripherals, and disconnect the system from the electrical outlet.
9. Open the system.
10. Remove all expansion cards installed in the system.
11. Close the system.
12. Reconnect the system to the electrical outlet, and turn on the system and attached peripherals.
13. Run the appropriate diagnostic test. For more information, see [Using System Diagnostics](#). If the tests fail, see [Getting Help](#).
14. For each expansion card you removed in step 10, perform the following steps:
 - a. Turn off the system and attached peripherals, and disconnect the system from the electrical outlet.
 - b. Open the system.
 - c. Reinstall one of the expansion cards.
 - d. Close the system.
 - e. Run the appropriate diagnostic test. For more information, see [Using System Diagnostics](#).

If the tests fail, see [Getting Help](#).

Troubleshooting Expansion Cards


 **CAUTION:** Many repairs may only be done by a certified service technician. You should only perform troubleshooting and simple repairs as authorized in your product documentation, or as directed by the online or telephone service and support team. Damage due to servicing that is not authorized by Dell is not covered by your warranty. Read and follow the safety instructions that came with the product.

 **NOTE:** When troubleshooting an expansion card, see the documentation for your operating system and the expansion card.

1. Run the appropriate diagnostic test. For more information, see [Using System Diagnostics](#).
2. Turn off the system and attached peripherals, and disconnect the system from the electrical outlet.
3. Open the system.
4. Ensure that each expansion card is firmly seated in its connector.
5. Close the system.
6. If the problem is not resolved, turn off the system and attached peripherals, and disconnect the system from the electrical outlet.
7. Open the system.
8. Remove all expansion cards installed in the system.
9. Close the system.
10. Run the appropriate diagnostic test. For more information, see [Using System Diagnostics](#).
If the tests fail, see [Getting Help](#).
11. For each expansion card you removed in step 8, perform the following steps:
 - a. Turn off the system and attached peripherals, and disconnect the system from the electrical outlet.
 - b. Open the system.
 - c. Reinstall one of the expansion cards.
 - d. Close the system.
 - e. Run the appropriate diagnostic test. For more information, see [Using System Diagnostics](#).

If the problem persists, see [Getting Help](#).

Troubleshooting Processors

 **CAUTION:** Many repairs may only be done by a certified service technician. You should only perform troubleshooting and simple repairs as authorized in your product documentation, or as directed by the online or telephone service and support team. Damage due to servicing that is not authorized by Dell is not covered by your warranty. Read and follow the safety instructions that came with the product.

1. Run the appropriate diagnostics test. See [Using System Diagnostics](#) for available diagnostic tests.
2. Turn off the system and attached peripherals, and disconnect the system from the electrical outlet.
3. Open the system.
4. Remove the memory risers, cooling fans, and memory riser and fan cage.
5. Ensure that the processor and heat sink are properly installed.
6. Install the memory riser and fan cage, cooling fans and memory risers.
7. Close the system.
8. Reconnect the system to the electrical outlet, and turn on the system and attached peripherals.
9. Run the appropriate diagnostic test.
If the problem still persists, follow the next step.


10. Open the system.
11. Remove the memory risers, cooling fans, and memory riser and fan cage.
12. If your system has four processors, remove all processors except for processor 1 and processor 2.
13. Install the memory riser and fan cage, cooling fans and memory risers.
14. Close the system.
15. Reconnect the system to the electrical outlet, and turn on the system and attached peripherals.
16. Run the appropriate online diagnostic test.
 - If the test fails, the processor is faulty.
 - If the test passes, replace processor 1 and 2 with processor 3 and processor 4. Run the appropriate online diagnostic test. If the test fails, the processor is faulty.

If a problem is still indicated, see [Getting Help](#).

Using System Diagnostics

If you experience a problem with your system, run the system diagnostics before contacting Dell for technical assistance. The purpose of running system diagnostics is to test your system hardware without requiring additional equipment or risking data loss. If you are unable to fix the problem yourself, service and support personnel can use the diagnostics results to help you solve the problem.

Dell Embedded System Diagnostics

 **NOTE:** Also known as Enhanced Pre-boot System Assessment (ePSA) diagnostics.

The embedded system diagnostics provides a set of options for particular device groups or devices allowing you to:

- Run tests automatically or in an interactive mode
- Repeat tests
- Display or save test results
- Run thorough tests to introduce additional test options to provide extra information about the failed device(s)
- View status messages that inform you if tests are completed successfully
- View error messages that inform you of problems encountered during testing

When To Use The Embedded System Diagnostics

If a major component or device in the system does not operate properly, running the embedded system diagnostics may indicate component failure.

Running The Embedded System Diagnostics

The embedded system diagnostics program is run from the Dell Lifecycle Controller.

 **CAUTION:** Use the embedded system diagnostics to test only your system. Using this program with other systems may cause invalid results or error messages.

1. As the system boots, press <F11>.
2. Use the up and down arrow keys to select **System Utilities** → **Launch Dell Diagnostics**.
The **ePSA Pre-boot System Assessment** window is displayed, listing all devices detected in the system. The diagnostics starts executing the tests on all the detected devices.

System Diagnostic Controls

Menu	Description
Configuration	Displays the configuration and status information of all detected devices.
Results	Displays the results of all tests that are executed.





Menu	Description
System Health	Provides the current overview of the system performance.
Event Log	Displays a time-stamped log of the results of all tests run on the system. This is displayed if at least one event description is recorded.

Jumpers And Connectors

System Board Jumper Settings

For information on resetting the password jumper to disable a password, see [Disabling A Forgotten Password](#).

Table 5. System Board Jumper Settings

Jumper	Setting	Description
PWRD_EN	 (default)	The password feature is enabled (pins 4–6).
		The password feature is disabled (pins 2–4). iDRAC local access is unlocked at the next AC power cycle.
NVRAM_CLR	 (default)	The configuration settings are retained at system boot (pins 1–3).
		The configuration settings are cleared at the next system boot (pins 3–5).

System Board Connectors

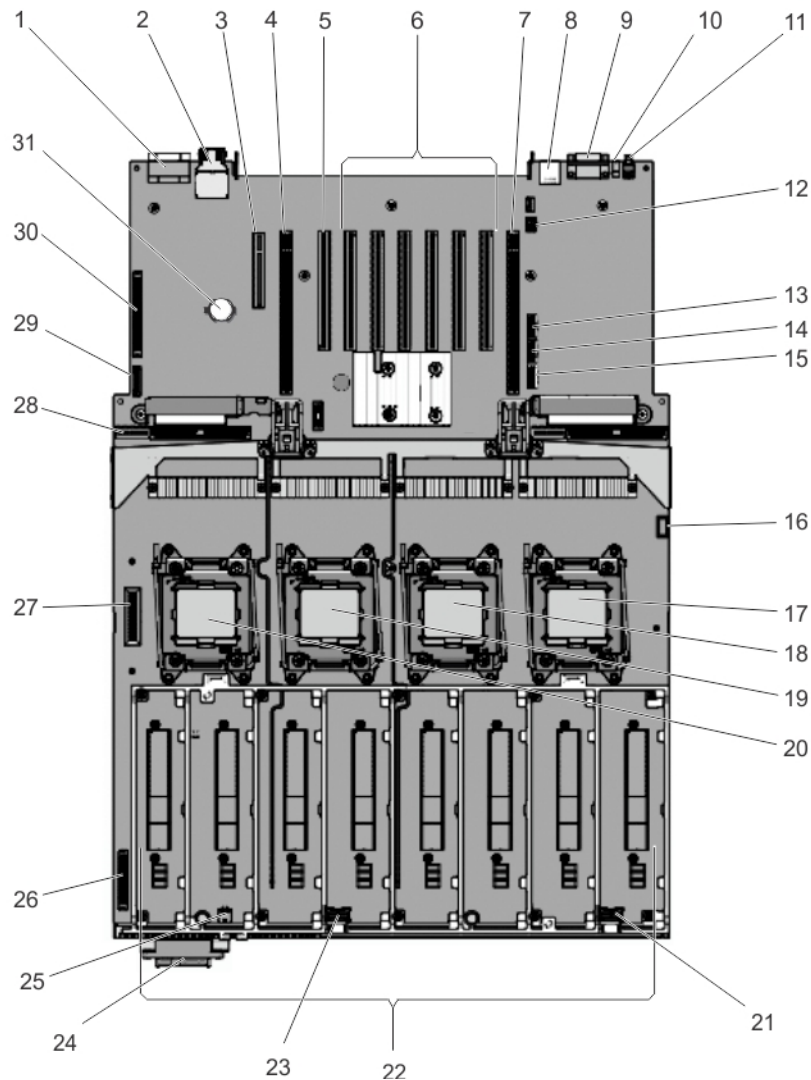


Figure 69. System Board Jumpers and Connectors

Item	Connector	Description
1	J_VIDEO	VGA connector
2	JA_IDRAC_RG45	IDRAC connector
3	INT_STORAGE/ J_PERC	Integrated storage controller card connector
4	J_PCIE_SLOT1	Left I/O Riser Connector (Optional)
5	IO_RISER1/J_NDC_RISER	NDC Riser Connector
6	J_PCIE_SLOT 3-8	Expansion-card connectors

Item	Connector	Description
7	J_PCIE_SLOT9	Right I/O Riser Connector (Optional)
8	USB1/USB2 J_USB	USB connector
9	J_SERIAL	Serial connector
10	JA_CYC	System Identification connector
11	W_CYC_ID	System Identification button connector
12	J_SATA_PWR_BC	SATA power Backplane connector
13	SATA_B	SATA B connector
14	SATA_C	SATA C connector
15	SATA_A	SATA A connector
16	J_USB_INT	Internal USB connector
17	CPU4	Processor socket 4
18	CPU3	Processor socket 3
19	CPU2	Processor socket 2
20	CPU1	Processor socket 1
21	J_BP_PWR_B	Backplane Power Connector B
22	MEMORY RISER A to H	Memory Riser connectors A to H
23	J_BP_PWR_A	Backplane Power Connector A
24	Optical Drive Connector	-
25	J_SATA_PWR_A	Optical drive SATA power Connector
26	J_BP_PWR_MISC	Backplane Power Connector
27	J_FAN_MOD1	Fan tray connector
28	J_PDBL_SIG	Power distribution board connector
29	J_USB_CNTRL_PNL	USB control panel connector
30	CONTROL PANEL	Control panel connector
31	BATTERY	Battery Connector

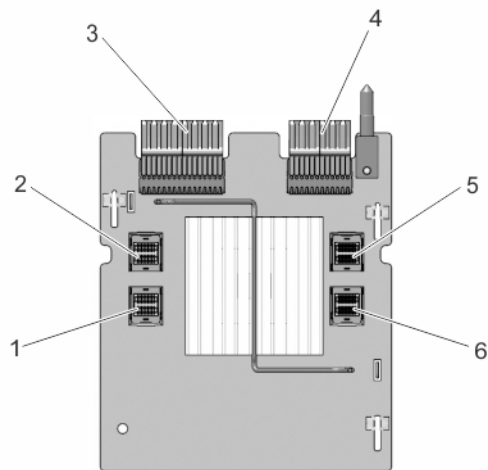


Figure 70. Expander Daughter Card board Jumpers and Connectors (Unified Mode)

Item	Connector	Description
1	J_SAS_A1	SAS A1 connector
2	J_SAS_A	SAS A connector
3	J_XCEDE_SAS1	SAS 1 connector
4	J_XCEDE_SAS2	SAS 2 connector
5	J_SAS_B	SAS B connector
6	J_SAS_B1	SAS B1 connector

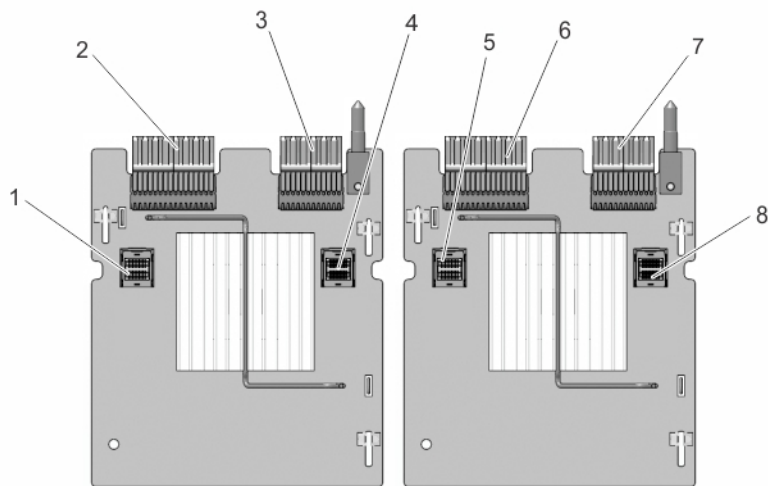



Figure 71. Expander Daughter Card board Jumpers and Connectors (Performance Mode)

Item	Connector	Description
1	J_SAS_A	SAS A connector
2	J_XCEDE_SAS1	SAS 1 connector
3	J_XCEDE_SAS2	SAS 2 connector
4	J_SAS_B	SAS B connector
5	J_SAS_A	SAS A connector
6	J_XCEDE_SAS1	SAS 1 connector
7	J_XCEDE_SAS2	SAS 2 connector
8	J_SAS_B	SAS B connector

Disabling A Forgotten Password

The system's software security features include a system password and a setup password. The password jumper enables these password features or disables them and clears any password(s) currently in use.

 **CAUTION:** Many repairs may only be done by a certified service technician. You should only perform troubleshooting and simple repairs as authorized in your product documentation, or as directed by the online or telephone service and support team. Damage due to servicing that is not authorized by Dell is not covered by your warranty. Read and follow the safety instructions that came with the product.

1. Turn off the system, including any attached peripherals, and disconnect the system from the electrical outlet.
2. Open the system.
3. Move the jumper on the system-board jumper from pins 4 and 6 to pins 2 and 4.
4. Close the system.

The existing passwords are not disabled (erased) until the system boots with the jumper on pins 2 and 4. However, before you assign a new system and/or setup password, you must move the jumper back to pins 4 and 6.



NOTE: If you assign a new system and/or setup password with the jumper on pins 2 and 4, the system disables the new password(s) the next time it boots.

5. Reconnect the system to its electrical outlet and turn the system on, including any attached peripherals.
6. Turn off the system, including any attached peripherals, and disconnect the system from the electrical outlet.
7. Open the system.
8. Move the jumper on the system-board jumper from pins 2 and 4 to pins 4 and 6.
9. Close the system.
10. Reconnect the system to its electrical outlet and turn the system on, including any attached peripherals.
11. Assign a new system and/or setup password.




Technical Specifications

Processor


Processor type	Two or Four Intel Xeon Processor E7-8800/4800/2800 v2 product family
----------------	--

Power

AC Power Supply (per power supply)

Wattage	750 W, 1100 W, or 1600 W (when available)
	 NOTE: Your system supports a maximum of two 1600 W power supplies.
Heat dissipation	2891 BTU/hr maximum (750 W power supply) 2780 BTU/hr maximum (750 W Titanium power supply) 4100 BTU/hr maximum (1100 W power supply)
 NOTE: Heat dissipation is calculated using the power supply wattage rating.	
Voltage	100–240 V AC, autoranging, 50/60 Hz
 NOTE: This system is also designed to be connected to IT power systems with a phase to phase voltage not exceeding 230 V.	or 200–240 V AC, autoranging, 50/60 Hz, for 750 W Titanium power supply

DC Power Supply (per power supply)

Wattage	1100 W
Heat dissipation	4416 BTU/hr maximum
 NOTE: Heat dissipation is calculated using the power supply wattage rating.	
Voltage	–(48–60) V DC

Battery

Coin-cell battery	3 V CR2032 Lithium coin cell
-------------------	------------------------------


Expansion Bus

Bus type	PCI Express Generation 3
----------	--------------------------

Expansion slots using riser card:

Riser 1 (NDC riser default)	(Slot 2) One full-height, half-length x8 link
Riser 2 (optional)	(Slot 1/1) One full-height, full-length x4 link

Expansion Bus

	(Slot 2/2) One full-height, half-length x4 link
	(Slot 3) One full-height, half-length x8 link
	(Slot 4) One full-height, full-length x16 link
	 NOTE: To use slots 6 through 10, all four processors must be installed.
	(Slot 5) One full-height, half-length x16 link
	(Slot 6) One full-height, half-length x16 link
	(Slot 7) One full-height, half-length x16 link
	(Slot 8) One full-height, half-length x16 link
Riser 3 (optional)	(Slot 1/ 9) One full-height, full-length x8 link
	(Slot 2/ 10) One full-height, half-length x8 link

Memory


Architecture	1066 MT/s, 1333 MT/s or 1600 MT/s DDR3 registered, load-reduced Error Correcting Code (ECC) DIMMs Support for advanced ECC or memory optimized operation
Memory module sockets	Ninety-six 240-pin
Memory module capacities	
LRDIMMs	32 GB quad-ranked
RDIMMs	4 GB, 8 GB, or 32 GB single-, dual-, quad-, or octal-ranked
Minimum RAM	4 GB with a single processor
Maximum RAM	
LRDIMMs and RDIMMs	Up to 6 TB


Drives

Hard drives	
Four hard-drive systems	Up to four 2.5 inch, internal, hot-swappable SAS hard drives in hard-drive slots 0 through 3. This configuration supports: <ul style="list-style-type: none">• 3Gb/s, 6Gb/s, and 12Gb/s I/O operations on SAS drives.• 3Gb/s and 6Gb/s on SATA drives.
Twenty four hard-drive systems (SAS/ SATA)	Up to twenty four 2.5 inch, internal, hot-swappable SAS/SATA hard-drives. This configuration supports: <ul style="list-style-type: none">• 3Gb/s, 6Gb/s, and 12Gb/s I/O operations on SAS drives.


Drives

- 3Gb/s and 6Gb/s on SATA drives.

 **NOTE:** With single *Unified mode* daughter card and PERC 9 card the hard-drives are located in hard-drive slots 0 through 24 (bay 1).


 **NOTE:** With two *Performance mode* daughter cards and two PERC 9 cards the hard-drives are located in hard-drive slots 0 through 11(bay 1) and 0 through 11(bay 2)

Twenty four or sixteen plus eight hard-drive systems Up to sixteen 2.5 inch, internal, hot-swappable SAS drives and up to eight Dell PowerEdge Express Flash devices (PCIe SSDs) hard drives in hard-drive slots 0 through 4 (bay 1), 0 through 4 (bay 2), and 0 through 15 (bay 3) for SAS/SATA with 2 PCIe Extender Cards, one Unified Mode Daughter Card, and one PERC 9 Card.

 **NOTE:** Performance mode daughter cards (hard-drive slots 0 through 7 on SAS/SATA) are not supported.

Twenty four hard-drive systems (SAS-3 (12Gb/s)) Up to twenty four 2.5 inch, internal, hot-swappable SAS hard drives.

Performance Mode (split-capable)

 **NOTE:** When the backplane is NOT in the split mode with single internal PERC, the maximum number of SATA/SSDs are 12 in the right bay (hard drives slots 12 through 23).

Twenty four or sixteen plus eight hard-drive systems (SATA SSD) Up to sixteen 2.5 inch, internal, hot-swappable SATA drives and up to eight Dell PowerEdge Express Flash devices (PCIe SSDs) hard drives in hard-drive slots 0 through 4 (bay 1), 0 through 4 (bay 2), and 8 through 15 (bay 3) for SAS/SATA.

Optical drive One optional SATA DVD-ROM drive or DVD+/-RW drive.

Connectors


Back

NIC	Four RJ-45 10/100/1000 Mbps Ethernet
Serial	9-pin, DTE, 16550-compatible
USB	Two 4-pin, USB 2.0-compliant
Video	15-pin VGA
iDRAC7	One RJ-45 10/100/1000 Mbps Ethernet

Front


USB	Two 4-pin, USB 2.0-compliant
Video	15-pin VGA
External vFlash card	vFlash memory card slot

Connectors

 **NOTE:** The card slot is available for use only if the iDRAC7 Enterprise license is installed on your system.

Internal


USB	One 4-pin, USB 2.0-compliant
Internal Dual SD Module	Two optional flash memory card slots with the internal SD module


 **NOTE:** One card slot is dedicated for redundancy.

Video


Video type	Integrated Matrox G200 with iDRAC7
Video memory	16 MB shared with iDRAC7 application memory

Expanded Operating Temperature

 **NOTE:** When operating in the expanded temperature range, system performance may be impacted.


 **NOTE:** When operating in the expanded temperature range, ambient temperature warnings may be reported on the LCD and in the System Event Log.

≤ 10% of annual operating hours 5 °C to 40 °C at 5% to 85% RH with 26 °C dew point.

 **NOTE:** Outside the standard operating temperature (10 °C to 35 °C), the system can operate down to 5 °C or up to 40 °C for a maximum of 10% of its annual operating hours.

For temperatures between 35 °C and 40 °C, de-rate maximum allowable dry bulb temperature by 1 °C per 175 m above 950 m (1 °F per 319 ft).


≤ 1% of annual operating hours -5 °C to 45 °C at 5% to 90% RH with 26 °C dew point.


 **NOTE:** Outside the standard operating temperature (10 °C to 35 °C), the system can operate down to -5 °C or up to 45 °C for a maximum of 1% of its annual operating hours.

For temperatures between 40 °C and 45 °C, de-rate maximum allowable dry bulb temperature by 1 °C per 125 m above 950 m (1 °F per 228 ft).

Expanded Operating Temperature Restrictions

- Do not perform a cold startup below 5 °C.
- The operating temperature specified is for a maximum altitude of 3050 m (10,000 ft).
- 130 W (4 core) processor is not supported.
- Redundant power supplies are required.
- Non Dell qualified peripheral cards and/or peripheral cards greater than 25 W are not supported.

 **NOTE:** Your system is capable of 40 °C and 45 °C excursion operation for fresh air cooled data centers.

 **NOTE:** For additional information about environmental measurements for specific system configurations, see dell.com/environmental_datasheets.

Temperature

Maximum Temperature Gradient (Operating and Storage)	20 °C/h (36 °F/h)
Storage Temperature Limits	–40 °C to 65 °C (–40 °F to 149 °F)

Temperature (Continuous Operation)

Temperature Ranges (for altitude less than 950 m or 3117 ft)	10 °C to 35 °C (50 °F to 95 °F) with no direct sunlight on the equipment.
Humidity Percentage Range	10% to 80% Relative Humidity with 26 °C (78.8 °F) maximum dew point.

Relative Humidity

Storage	5% to 95% RH with 33 °C (91 °F) maximum dew point. Atmosphere must be non-condensing at all times.
---------	--

Maximum Vibration

Operating	0.26 G _{rms} at 5 Hz to 350 Hz (all operation orientations).
Storage	1.87 G _{rms} at 10 Hz to 500 Hz for 15 min (all six sides tested).

Maximum Shock

Operating	One shock pulse in the positive z axis of 40 G for 2.3 ms in all operational orientations.
Storage	Six consecutively executed shock pulses in the positive and negative x, y, and z axes (one pulse on each side of the system) of 71 G for up to 2 ms.


Maximum Altitude

Operating	3048 m (10,000 ft).
Storage	12,000 m (39,370 ft).


Operating Altitude De-rating

Up to 35 °C (95 °F)	Maximum temperature is reduced by 1 °C/300 m (1 °F/547 ft) above 950 m (3,117 ft).
35 °C to 40 °C (95 °F to 104 °F)	Maximum temperature is reduced by 1 °C/175 m (1 °F/319 ft) above 950 m (3,117 ft).
40 °C to 45 °C (104 °F to 113 °F)	Maximum temperature is reduced by 1 °C/125 m (1 °F/228 ft) above 950 m (3,117 ft).


Particulate Contamination

 **NOTE:** This section defines the limits to help avoid IT equipment damage and/or failure from particulates and gaseous contamination. If it is determined that levels of particulates or gaseous pollution are beyond the limits specified below and are the reason for the damage and/or failures to your equipment, it may be necessary for you to re-mediate the environmental conditions that are causing the damage and/or failures. Re-mediation of environmental conditions will be the responsibility of the customer.


Air Filtration

 **NOTE:** Applies to data center environments only. Air filtration requirements do not apply to IT equipment designed to be used outside a data center, in environments such as an office or factory floor.

Data center air filtration as defined by ISO Class 8 per ISO 14644-1 with a 95% upper confidence limit.


 **NOTE:** Air entering the data center must have MERV11 or MERV13 filtration.

Conductive Dust

 **NOTE:** Applies to data center and non-data center environments.


Air must be free of conductive dust, zinc whiskers, or other conductive particles.

Corrosive Dust

 **NOTE:** Applies to data center and non-data center environments.

- Air must be free of corrosive dust.
- Residual dust present in the air must have a deliquescent point less than 60% relative humidity.

Gaseous Contamination

 **NOTE:** Maximum corrosive contaminant levels measured at $\leq 50\%$ relative humidity.

Copper Coupon Corrosion Rate


$<300 \text{ \AA/month}$ per Class G1 as defined by ANSI/ISA71.04-1985.

Silver Coupon Corrosion Rate


$<200 \text{ \AA/month}$ as defined by AHSRAE TC9.9.

System Messages

LCD Messages

 **NOTE:** Applicable only if your system has an LCD display.

The LCD messages consist of brief text messages that refer to events recorded in the System Event Log (SEL). For information on the SEL and configuring system management settings, see the systems management software documentation.

 **NOTE:** If your system fails to boot, press the System ID button for at least 5 seconds until an error code is displayed on the LCD. Record the code, then see System Error Messages.

Viewing LCD Messages

If a system error occurs, the LCD screen will turn amber. Press the Select button to view the list of errors or status messages. Use the Left and Right buttons to highlight an error number, and press the Select button to view the error.

Removing LCD Messages


For faults associated with sensors, such as temperature, voltage, fans, and so on, the LCD message is automatically removed when that sensor returns to a normal state. For other faults, you must take action to remove the message from the display:


- Clear the SEL — You can perform this task remotely, but you will lose the event history for the system.
- Power cycle — Turn off the system and disconnect it from the electrical outlet; wait approximately 10 seconds, reconnect the power cable, and restart the system.


System Error Messages

System messages appear on the monitor to notify you of a possible problem with the system. These messages refer to events recorded in the System Event Log (SEL). For information on the SEL and configuring system management settings, see the systems management software documentation.

Some messages are also displayed in an abbreviated form on the system's LCD, if the system includes that feature.

 **NOTE:** The LCD error messages listed here are displayed in the simple format. See Setup Menu to select the format in which the messages are displayed.

 **NOTE:** If you receive a system message not listed here, check the documentation of the application that was running when the message was displayed or the operating system's documentation for an explanation of the message and recommended action.

 **NOTE:** In some messages, a particular system component is identified by name ("`<name>`") component number ("`<number>`"), or location ("`bay`").

Error Code	Message Information	
AMP0302	Message	The system board <name> current is greater than the upper warning threshold.
	Details	System board <name> current is outside of the optimum range.
	Action	<ol style="list-style-type: none"> 1. Review system power policy. 2. Check system logs for power related failures. 3. Review system configuration changes. 4. If the issue persists, see Getting Help.
AMP0303	Message	The system board <name> current is greater than the upper critical threshold.
	LCD Message	System board <name> current is outside of range.
	Details	System board <name> current is outside of the optimum range.
	Action	<ol style="list-style-type: none"> 1. Review system power policy. 2. Check system logs for power related failures. 3. Review system configuration changes. 4. If the issue persists, see Getting Help.
ASR0000	Message	The watchdog timer expired.
	Details	The operating system or an application failed to communicate within the time-out period.
	Action	Check the operating system, application, hardware, and system event log for exception events.
ASR0001	Message	The watchdog timer reset the system.
	Details	The operating system or an application failed to communicate within the time-out period. The system was reset.
	Action	Check the operating system, application, hardware, and system event log for exception events.
ASR0002	Message	The watchdog timer powered off the system.
	Details	The operating system or an application failed to communicate within the time-out period. The system was shut down.
	Action	Check the operating system, application, hardware, and system event log for exception events.

Error Code	Message Information	
ASR0003	Message	The watchdog timer power cycled the system.
	Details	The operating system or an application failed to communicate within the time-out period. The system was power-cycled.
	Action	Check the operating system, application, hardware, and system event log for exception events.
BAT0002	Message	The system board battery has failed.
	LCD Message	The system board battery has failed. Check battery.
	Details	The system board battery is either missing or bad.
	Action	See Getting Help .
BAT0017	Message	The <name> battery has failed.
	LCD Message	The <name> battery has failed. Check battery.
	Details	The <name> battery is either missing, bad, or unable to charge due to thermal issues.
	Action	Check system fans. If the problem persists, see Getting Help .
CPU0000	Message	CPU <number> has an internal error (IERR).
	LCD Message	CPU <number> has an internal error (IERR).
	Details	System Event Log and Operating System Logs may indicate that the exception is external to the processor.
	Action	Review System Event Log and Operating System Logs. If the issue persists, see Getting Help .
CPU0001	Message	CPU <number> has a thermal trip (over-temperature) event.
	LCD Message	CPU <number> has a thermal trip. Check CPU heat sink.
	Details	The processor temperature increased beyond the operational range.
	Action	Review the logs for fan failures. If no fan failures are detected, check inlet temperature (if available) and reinstall processor heat sink. If the problem persists, see Getting Help .
CPU0005	Message	CPU <number> configuration is unsupported.
	LCD Message	CPU <number> configuration is unsupported. Check CPU or BIOS revision.
	Details	System is unable to boot or may run in a degraded state.

Error Code	Message Information	
	Action	Review the technical specifications for supported processor types.
CPU0010	Message	CPU <number> is throttled.
	Details	The CPU is throttled due to thermal or power conditions.
	Action	Review system logs for power or thermal exceptions.
CPU0023	Message	CPU <number> is absent.
	LCD Message	CPU <number> is absent. Check CPU.
	Action	Verify processor installation. If present, re-seat the processor.
CPU0204	Message	CPU <number> <name> voltage is outside of range.
	LCD Message	CPU <number> <name> voltage is outside of range. Re-seat CPU.
	Details	Voltages outside the allowable range may damage electrical components or may cause the system to shutdown.
	Action	<ol style="list-style-type: none"> 1. Turn off the system and remove input power for one minute. 2. Ensure the processor is seated correctly. 3. Reapply input power and turn on the system. 4. If the issue persists, see Getting Help.
CPU0700	Message	CPU <number> initialization error detected.
	LCD Message	CPU <number> initialization error detected. Power cycle system.
	Details	System BIOS was unable to initialize the processor.
	Action	<ol style="list-style-type: none"> 1. Turn off the system and remove input power for one minute. 2. Ensure the processor is seated correctly. 3. Reapply input power and turn on the system. 4. If the issue persists, see Getting Help.
CPU0701	Message	CPU <number> protocol error detected.
	LCD Message	CPU <number> protocol error detected. Power cycle system.
	Details	System event log and operating system logs may indicate that the exception is external to the processor.
	Action	<ol style="list-style-type: none"> 1. Check system and operating system logs for exceptions. If no exceptions are found, continue.

Error Code	Message Information	
		<ol style="list-style-type: none"> 2. Turn off the system and remove input power for one minute. 3. Ensure the processor is seated correctly. 4. Reapply input power and turn on the system. 5. If the issue persists, see Getting Help.
CPU0702	Message	CPU bus parity error detected.
	LCD Message	CPU bus parity error detected. Power cycle system.
	Details	System event log and operating system logs may indicate that the exception is external to the processor.
	Action	<ol style="list-style-type: none"> 1. Check system and operating system logs for exceptions. If no exceptions are found, continue. 2. Turn off the system and remove input power for one minute. 3. Ensure the processor is seated correctly. 4. Reapply input power and turn on the system. 5. If the issue persists, see Getting Help.
CPU0703	Message	CPU bus initialization error detected.
	LCD Message	CPU bus initialization error detected. Power cycle system.
	Details	System event log and operating system logs may indicate that the exception is external to the processor.
	Action	<ol style="list-style-type: none"> 1. Check system and operating system logs for exceptions. If no exceptions are found, continue. 2. Turn off the system and remove input power for one minute. 3. Ensure the processor is seated correctly. 4. Reapply input power and turn on the system. 5. If the issue persists, see Getting Help.
CPU0704	Message	CPU <number> machine check error detected.
	LCD Message	CPU <number> machine check error detected. Power cycle system.
	Details	System event log and operating system logs may indicate that the exception is external to the processor.
	Action	<ol style="list-style-type: none"> 1. Check system and operating system logs for exceptions. If no exceptions are found, continue. 2. Turn off the system and remove input power for one minute. 3. Ensure the processor is seated correctly. 4. Reapply input power and turn on the system.

Error Code	Message Information	
		5. If the issue persists, see Getting Help .
FAN0000	Message	Fan <number> RPM is less than the lower warning threshold.
	Details	Fan operating speed is out of range.
	Action	Remove and reinstall the fan. If the issue persists, see Getting Help .
FAN0001	Message	Fan <number> RPM is less than the lower critical threshold.
	LCD Message	Fan <number> RPM is outside of range. Check fan.
	Details	Fan operating speed is out of range.
	Action	Remove and reinstall the fan. If the issue persists, see Getting Help .
FAN1201	Message	Fan redundancy is lost.
	LCD Message	Fan redundancy is lost. Check fans.
	Details	Fan has failed.
	Action	Remove and reinstall failed fans or install additional fans.
HWC1001	Message	The <name> is absent.
	LCD Message	The <name> is absent. Check hardware.
	Details	The absent device may be necessary for proper operation. System functionality may be degraded.
	Action	Reinstall or reconnect the hardware.
HWC2003	Message	The storage <name> cable is not connected, or is improperly connected.
	LCD Message	Storage <name> cable or interconnect failure. Check connection.
	Details	The cable may be necessary for proper operation. System functionality may be degraded.
	Action	Check if the cable is present, then reinstall or reconnect.
HWC2005	Message	The system board <name> cable is not connected, or is improperly connected.
	LCD Message	System board <name> cable connection failure. Check connection.
	Details	The cable may be necessary for proper operation. System functionality may be degraded.

Error Code	Message Information	
	Action	Check if the cable is present, then reinstall or reconnect.
MEM0000	Message	Persistent correctable memory errors detected on a memory device at location(s) <i><location></i> .
	Details	This is an early indicator of a possible future uncorrectable error.
	Action	Re-seat the memory modules. If the issue persists, see Getting Help .
MEM0001	Message	Multi-bit memory errors detected on a memory device at location(s) <i><location></i> .
	LCD Message	Multi-bit memory error on <i><location></i> . Re-seat memory.
	Details	The memory module has encountered an uncorrectable error. System performance may be degraded. The operating system and/or applications may fail as a result.
	Action	Re-seat the memory modules. If the issue persists, see Getting Help .
MEM0007	Message	Unsupported memory configuration; check memory device at location <i><location></i> .
	LCD Message	Unsupported memory configuration. Check memory <i><location></i> .
	Details	The memory may not be seated correctly, misconfigured, or has failed. Memory size is reduced.
	Action	Check the memory configuration. Re-seat the memory modules. If the issue persists, see Getting Help .
MEM0701	Message	Correctable memory error rate exceeded for <i><location></i> .
	Details	The memory may not be operational. This an early indicator of a possible future uncorrectable error.
	Action	Re-seat the memory modules. If the issue persists, see Getting Help .
MEM0702	Message	Correctable memory error rate exceeded for <i><location></i> .
	LCD Message	Correctable memory error rate exceeded for <i><location></i> . Re-seat memory.
	Details	The memory may not be operational. This an early indicator of a possible future uncorrectable error.
	Action	Re-seat the memory modules. If the issue persists, see Getting Help .
MEM1205	Message	Memory mirror redundancy is lost. Check memory device at location(s) <i><location></i> .

Error Code	Message Information	
	LCD Message	Memory mirror lost on <i><location></i> . Power cycle system.
	Details	The memory may not be seated correctly, misconfigured, or has failed.
	Action	Check the memory configuration. Re-seat the memory modules. If the issue persists, see Getting Help .
MEM1208	Message	Memory spare redundancy is lost. Check memory device at location <i><location></i> .
	LCD Message	Memory spare lost on <i><location></i> . Power cycle system.
	Details	Memory sparing is no longer available.
	Action	Re-seat the memory modules. If the issue persists, see Getting Help .
MEM8000	Message	Correctable memory error logging disabled for a memory device at location <i><location></i> .
	LCD Message	SBE log disabled on <i><location></i> . Re-seat memory.
	Details	Errors are being corrected but no longer logged.
	Action	Review system logs for memory exceptions. Reinstall memory at location <i><location></i> .
PCI1302	Message	A bus time-out was detected on a component at bus <i><bus></i> device <i><device></i> function <i><func></i> .
	Details	System performance may be degraded. The device has failed to respond to a transaction.
	Action	Cycle input power, update component drivers, if device is removable, reinstall the device.
PCI1304	Message	An I/O channel check error was detected.
	LCD Message	I/O channel check error detected. Power cycle system.
	Action	Cycle input power, update component drivers, if device is removable, reinstall the device.
PCI1308	Message	A PCI parity error was detected on a component at bus <i><bus></i> device <i><device></i> function <i><func></i> .
	LCD Message	PCI parity error on bus <i><bus></i> device <i><device></i> function <i><func></i> . Power cycle system.
	Details	System performance may be degraded, PCI device may fail to operate, or system may fail to operate.

Error Code	Message Information	
PCI1320	Action	Cycle input power, update component drivers, if device is removable, reinstall the device.
	Message	A bus fatal error was detected on a component at bus <bus>device<device>function <func>.
	LCD Message	Bus fatal error on bus <bus> device <device> function <func>. Power cycle system.
	Details	System performance may be degraded, or system may fail to operate.
PCI1342	Action	Cycle input power, update component drivers, if device is removable, reinstall the device.
	Message	A bus time-out was detected on a component at slot <number>.
	Details	System performance may be degraded, or system may fail to operate.
PCI1348	Action	Cycle input power, update component drivers, if device is removable, reinstall the device.
	Message	A PCI parity error was detected on a component at slot <number>.
	LCD Message	PCI parity error on slot <number>. Re-seat PCI card.
	Details	System performance may be degraded, or system may fail to operate.
PCI1360	Action	Cycle input power, update component drivers, if device is removable, reinstall the device.
	Message	A bus fatal error was detected on a component at slot <number>.
	LCD Message	Bus fatal error on slot <number>. Re-seat PCI card.
	Details	System performance may be degraded, or system may fail to operate.
PDR0001	Action	Cycle input power, update component drivers, if device is removable, reinstall the device.
	Message	Fault detected on drive <number>.
	LCD Message	Fault detected on drive <number>. Check drive.
	Details	The controller detected a failure on the disk and has taken the disk offline.
PDR1016	Action	Remove and re-seat the failed disk. If the issue persists, see Getting Help .
	Message	Drive <number> is removed from disk drive bay <bay>.

Error Code	Message Information	
PST0128	LCD Message	Drive <number> removed from disk drive bay <bay>. Check drive.
	Details	The controller detected that the drive was removed.
	Action	Verify drive installation. Re-seat the failed drive. If the issue persists, see Getting Help .
	Message	No memory is detected.
PST0129	LCD Message	No memory is detected. Inspect memory devices.
	Details	System BIOS was unable to detect memory in the system.
	Action	Re-seat the memory modules. If the issue persists, see Getting Help .
	Message	Memory is detected, but is not configurable.
PSU0001	LCD Message	Memory is detected, but is not configurable. Check memory devices.
	Details	System BIOS detected memory, but was unable to configure the memory for system operation.
	Action	Compare system memory installation to supported system memory configurations.
	Message	Power supply <number> failed.
PSU0002	LCD Message	PSU <number> failed. Check PSU.
	Action	Remove and reinstall the power supply. If the issue persists, see Getting Help .
	Message	A predictive failure detected on power supply <number>.
	LCD Message	Predictive failure on PSU <number>. Check PSU.
PSU0003	Details	System performance and power redundancy may be degraded or lost.
	Action	Remove and reinstall the power supply at the next service window. If the issue persists, see Getting Help .
	Message	The power input for power supply <number> is lost.
	LCD Message	Power input for PSU <number> is lost. Check PSU cables.
Details	The power supply is installed correctly but an input source is not connected or is not functional.	
Action	Verify the input source is attached to the power supply. Verify the input power is within the operating requirements for the power supply.	

Error Code	Message Information	
PSU0006	Message	Power supply <number> type mismatch.
	LCD Message	Power supply <number> is incorrectly configured. Check PSU.
	Details	Power supplies should be of the same input type and power rating.
	Action	Install matched power supplies and review proper configuration in this manual.
PSU0016	Message	Power supply <number> is absent.
	LCD Message	PSU <number> is absent. Check PSU.
	Details	The power supply has been removed or has failed.
	Action	<ol style="list-style-type: none"> 1. Remove and reinstall the power supply. 2. Check cables and subsystem components in the system for damage. 3. If the issue persists, see Getting Help.
PSU0031	Message	Cannot communicate with power supply <number>.
	LCD Message	Cannot communicate with PSU <number>. Re-seat PSU.
	Details	The power supply may operate, however power supply monitoring is degraded. System performance may be degraded.
	Action	Remove and reinstall the power supply. If the issue persists, see Getting Help .
PSU0032	Message	The temperature for power supply <number> is in a warning range.
	Details	System performance may be degraded.
	Action	Check the system operating environment, including airflow and inlet temperature. Check system logs for temperature and thermal component failures.
PSU0033	Message	The temperature for power supply <number> is outside of the allowable range.
	LCD Message	PSU <number> temperature outside of range. Check PSU.
	Details	System performance may be degraded.
	Action	Check the system operating environment, including airflow and inlet temperature. Check system logs for temperature and thermal component failures.

Error Code	Message Information	
PSU0034	Message	An under voltage fault detected on power supply <number>.
	LCD Message	An under voltage fault detected on PSU <number>. Check power source.
	Details	This failure may be the result of an electrical issue with cables or subsystem components in the system.
	Action	<ol style="list-style-type: none"> 1. Remove and reinstall the power supply. 2. Check cables and subsystem components in the system for damage. 3. If the issue persists, see Getting Help.
PSU0035	Message	An over voltage fault detected on power supply <number>.
	LCD Message	Over voltage fault on PSU <number>. Check PSU.
	Action	Check input power or reinstall the power supply. If the issue persists, see Getting Help .
PSU0036	Message	An over current fault detected on power supply <number>.
	LCD Message	An over current fault detected on PSU <number>. Check PSU.
	Details	This failure may be the result of an electrical issue with cables or subsystem components in the system.
	Action	<ol style="list-style-type: none"> 1. Remove and reinstall the power supply. 2. Check cables and subsystem components in the system for damage. 3. If the issue persists, see Getting Help.
PSU0037	Message	Fan failure detected on power supply <number>.
	LCD Message	Fan failure detected on PSU <number>. Check PSU.
	Action	Check for fan blockage. If the problem persists, see Getting Help .
PSU0076	Message	A power supply wattage mismatch is detected; power supply <number> is rated for <value> watts.
	LCD Message	PSU wattage mismatch; PSU <number> = <value>watts
	Details	Power supplies should be of the same input type and power rating.
	Action	Install matched power supplies and review this manual for proper configuration.

Error Code	Message Information	
PSU1201	Message	Power supply redundancy is lost.
	Details	The power supply tries to operate in a degraded state. System Performance and power redundancy may be degraded or lost.
	Action	Check input power. Reinstall the power supply. If the issue persists, see Getting Help .
PSU1204	Message	The power supplies are not redundant. Insufficient resources to maintain normal operations.
	LCD Message	PSU redundancy degraded. Check PSU cables.
	Details	The current power operational mode is non-redundant because of a power supply exception, a power supply inventory change, or a system power inventory change.
	Action	Check the event log for power supply failures. Review system configuration and power consumption.
PWR1004	Message	The system performance degraded because power capacity has changed.
	Details	The system may power down or operate in a performance degraded state.
	Action	Check the event log for power supply failures. Review system configuration and power consumption and upgrade or install power supplies accordingly.
PWR1005	Message	The system performance degraded because the user-defined power capacity has changed.
	Details	The user-defined power settings have affected system operation.
	Action	If unintended, review system configuration changes and power policy.
PWR1006	Message	The system halted because system power exceeds capacity.
	LCD Message	System power demand exceeds capacity. System halted.
	Details	The system halted because system power exceeds capacity.
	Action	Review system configuration, upgrade power supplies or reduce system power consumption.
RFM1008	Message	Failure detected on Removable Flash Media <name>.
	LCD Message	Removable Flash Media <name> failed. Check SD Card.

Error Code	Message Information	
	Details	An error was reported during a SD card read or write.
	Action	Reseat the flash media. If the problem persists, see Getting Help .
RFM1014	Message	Removable Flash Media <name> is write protected.
	LCD Message	Removable Flash Media <name> is write protected. Check SD Card.
	Details	The card is write-protected by the physical latch on the SD card. A write-protected card cannot be used.
	Action	If unintended, remove the media and disable write protection.
RFM1201	Message	Internal Dual SD Module redundancy is lost.
	LCD Message	Internal Dual SD Module redundancy is lost. Check SD Card.
	Details	Either one or both the SD cards are not functioning properly.
	Action	See Getting Help .
RFM2001	Message	Internal Dual SD Module <name> is absent.
	LCD Message	Internal Dual SD Module <name> is absent. Check SD Card.
	Details	The SD card module is not detected or not installed.
	Action	If unintended, reinstall the SD module.
RFM2002	Message	Internal Dual SD Module <name> is offline.
	Details	The SD card module is installed but may be improperly installed or configured incorrectly.
	Action	Reinstall the SD module.
RFM2004	Message	Failure detected on Internal Dual SD Module <name>.
	LCD Message	Internal Dual SD Module <name> failed. Check SD Card.
	Details	The SD card module is installed but improperly configured or failed to initialize.
	Action	Reinstall the SD module and remove and reinstall SD cards.
RFM2006	Message	Internal Dual SD Module <name> is write protected.
	Details	The module is write-protected. Changes may not be written to the media.
	Action	If unintended, remove the media and disable write protection.


Error Code	Message Information	
SEC0031	Message	The chassis is open while the power is on.
	LCD Message	Intrusion detected. Check chassis cover.
	Details	The chassis is open. System performance may be degraded, and security may be compromised.
	Action	Close the chassis. Check system logs.
SEC0033	Message	The chassis is open while the power is off.
	LCD Message	Intrusion detected. Check chassis cover.
	Details	The chassis was opened while the power was off. System security may have been compromised.
	Action	Close the chassis and verify hardware inventory. Check system logs.
SEL0006	Message	All event logging is disabled.
	Details	This message is displayed when all event logging has been disabled by the user.
	Action	If unintended, re-enable logging.
SEL0008	Message	Log is full.
	Details	When the event log is full, additional events are not written to the log. Older events may be overwritten and lost. This message may also appear if the user disabled event logging.
	Action	Backup and clear log.
SEL0012	Message	Could not create or initialize the system event log.
	Details	If the system event log fails to initialize, platform status and failure events are not captured. Some management software do not report platform exceptions.
	Action	Reboot the management controller or iDRAC. Cycle system input power. If problem persists call support.
SEL1204	Message	An unknown system hardware failure detected.
	LCD Message	Unknown system hardware failure.
	Details	If the system event log failed to initialize, platform status and failure events are not captured. Some management software do not report platform exceptions.

Error Code	Message Information	
	Action	Re-configure system to the minimum supported configuration. If issues persists, contact support.
TMP0118	Message	The system inlet temperature is less than the lower warning threshold.
	LCD Message	System inlet temperature is outside of range.
	Details	Ambient air temperature is too cool.
	Action	Check the system operating environment.
TMP0119	Message	The system inlet temperature is less than the lower critical threshold.
	LCD Message	System inlet temperature is outside of range.
	Details	Ambient air temperature is too cool.
	Action	Check the system operating environment.
TMP0120	Message	The system inlet temperature is greater than the upper warning threshold.
	LCD Message	System inlet temperature is outside of range.
	Details	Ambient air temperature is too warm or one or more fans may have failed.
	Action	Check the system operating environment and review event log for fan failures.
TMP0121	Message	The system inlet temperature is greater than the upper critical threshold.
	LCD Message	System inlet <name> temperature is outside of range. Check Fans.
	Details	Ambient air temperature is too warm or one or more fans may have failed.
	Action	Check the system operating environment and review event log for fan failures.
VLT0204	Message	The system board <name> voltage is outside of the allowable range.
	LCD Message	System board voltage is outside of range.
	Details	System hardware detected an over voltage or under voltage condition. If multiple voltage exceptions occur consecutively the system may power down in fail-safe mode.

Error Code	Message Information
	Action
	<ol style="list-style-type: none"> 1. Review system logs for power supply exceptions. 2. Re-configure the system to minimum configuration, inspect and reinstall system cables. 3. If the issue persists, see Getting Help.

Warning Messages

A warning message alerts you to a possible problem and prompts you to respond before the system continues a task. For example, before you format a hard drive, a message warns you that you may lose all data on the hard drive. Warning messages usually interrupt the task and require you to respond by typing y (yes) or n (no).

 **NOTE:** Warning messages are generated by either the application or the operating system. For more information, see the documentation that accompanied the operating system or application.

Diagnostic Messages

The system diagnostic utilities may issue messages if you run diagnostic tests on your system. See the “Using System Diagnostics” chapter for more information about system diagnostics.

Alert Messages

Systems management software generates alert messages for your system. Alert messages include information, status, warning, and failure messages for drive, temperature, fan, and power conditions. For more information, see the systems management software documentation.

Getting help

Contacting Dell

Dell provides several online and telephone-based support and service options. If you do not have an active Internet connection, you can find contact information on your purchase invoice, packing slip, bill, or Dell product catalog. Availability varies by country and product, and some services may not be available in your area. To contact Dell for sales, technical support, or customer-service issues:

1. Go to **dell.com/support**.
2. Select your country from the drop-down menu on the bottom right corner of the page.
3. For customized support:
 - a. Enter your system Service Tag in the **Enter your Service Tag** field.
 - b. Click **Submit**.The support page that lists the various support categories is displayed.
4. For general support:
 - a. Select your product category.
 - b. Select your product segment.
 - c. Select your product.The support page that lists the various support categories is displayed.

Quick Resource Locator

Use the Quick Resource Locator (QRL) to get immediate access to system information and how-to videos. This can be done by visiting **dell.com/QRL** or by using your smartphone and a model specific QR code located on your Dell PowerEdge system. To try out the QR code, scan the following image.



Locating your system service tag

Your system is identified by a unique Express Service Code and Service Tag number. The Express Service Code and Service Tag are found on the front of a physical DR Series system by pulling out the information tag. This can also be found on the support tab in the GUI. This information is used by Dell to route support calls to the appropriate personnel.

Documentation feedback

If you have feedback for this document, write to documentation_feedback@dell.com. Alternatively, you can click on the **Feedback** link in any of the Dell documentation pages, fill out the form, and click **Submit** to send your feedback.

Free Manuals Download Website

<http://myh66.com>

<http://usermanuals.us>

<http://www.somanuals.com>

<http://www.4manuals.cc>

<http://www.manual-lib.com>

<http://www.404manual.com>

<http://www.luxmanual.com>

<http://aubethermostatmanual.com>

Golf course search by state

<http://golfingnear.com>

Email search by domain

<http://emailbydomain.com>

Auto manuals search

<http://auto.somanuals.com>

TV manuals search

<http://tv.somanuals.com>