

Setting Up Your Dell PowerVault NX3300 Network Attached Storage System

1 Before You Begin

WARNING: Before you set up and operate your Dell PowerVault system, review the safety instructions that shipped with your system.

Dell Software License Agreement

- Before using your system, please read the Dell Software License Agreement that came with the system.
- You must consider any media of Dell installed software as BACKUP for the software installed on your system's hard-disk drive.
- If you do not accept the terms of the agreement, call the customer assistance telephone number. For customers in the United States, call 800-WWW-DELL (800-999-3355). For customers outside the United States, visit dell.com/support and select your country or region from the page.

Documentation

For documentation and information updates, see dell.com/support/manuals.

Verifying Package Contents

Verify that all components listed on your packing slip are available. Save all documentation and accessories.

Installing the System in a Rack

This system requires a properly grounded electrical outlet, a compatible rack, and a rack installation kit. For more information, see the section **Additional Information**.

Locating Your System's Service Tag

- Your system is identified by a unique Express Service Code and Service Tag number. The Express Service Code and Service Tag are found on the front of the system by pulling out the information tag.
- This information is used by Dell to route support calls to the appropriate personnel.

NOTE: The illustrations in this document are not intended to represent a specific NAS system.

Default Password

The default password for the NAS system is **Stor@ge!**

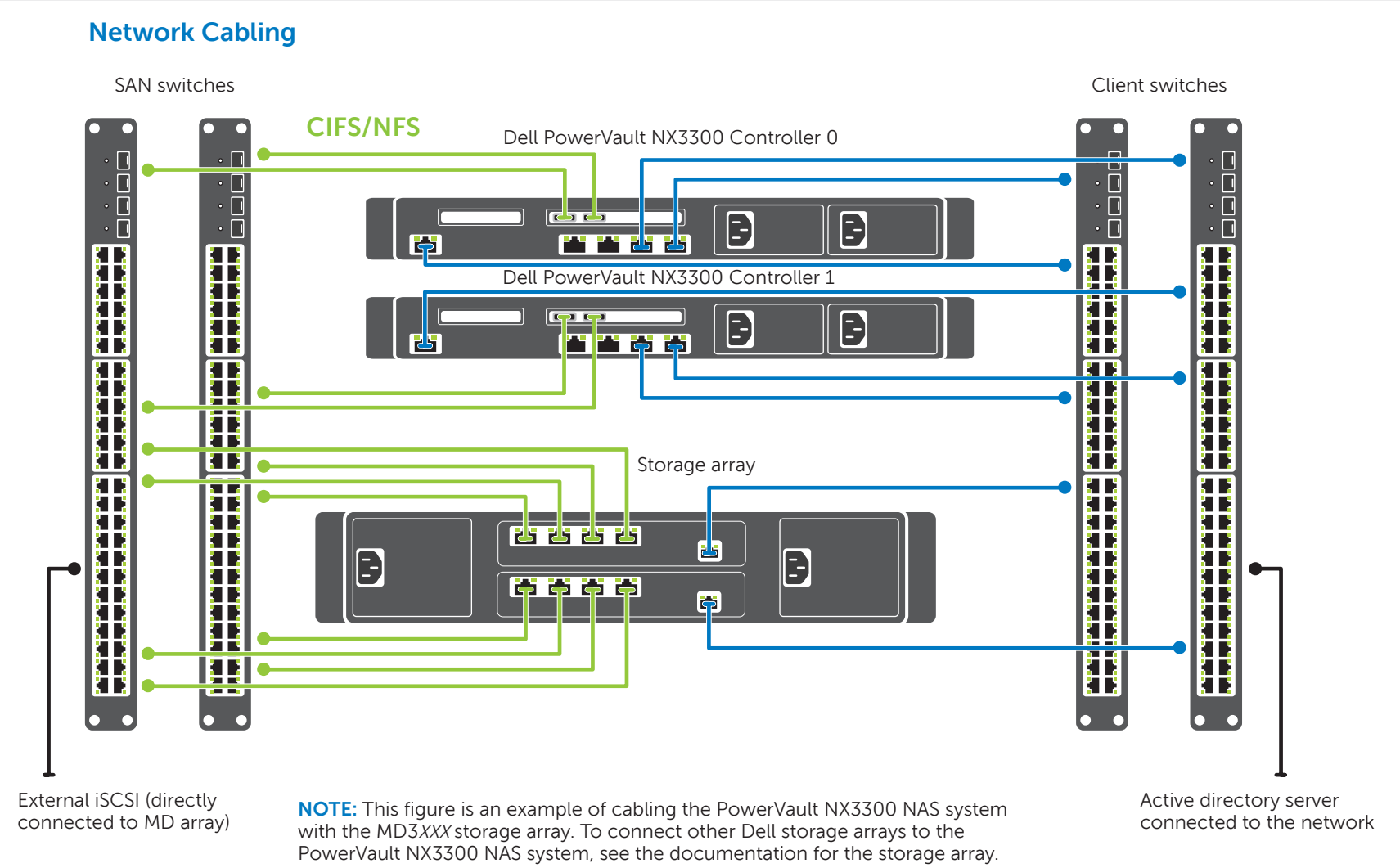
Default System Name

Your system is configured with a default system name of D<ServiceTag>, where <ServiceTag> is the Service Tag number located on the system. To locate the Service Tag of your system, see the section **Locating Your System's Service Tag** in this document.



Check for documentation and information updates on dell.com/support/manuals. Always read the updates first because they often supersede information in other documents.

2 Cabling the System Using iSCSI



3 Powering-Up and Managing Your NAS System

Power-Up Procedure

You must first turn on the storage arrays and additional expansion enclosure(s), if any. After the storage arrays and enclosure(s) are initialized, turn on the PowerVault NX3300 NAS system.

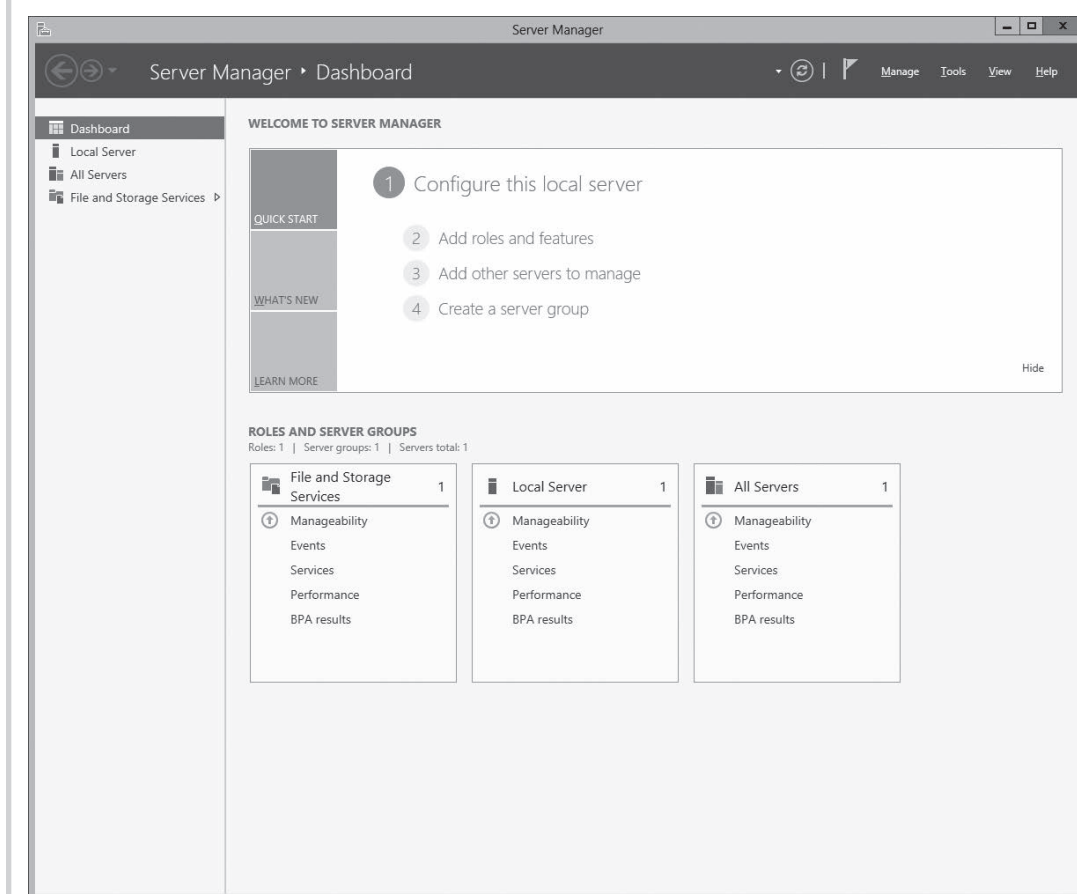
Managing Your NAS

To manage your NAS locally, connect a keyboard, monitor, and mouse directly to the NAS system.

To manage your NAS remotely, you can use:

- Remote Desktop
NOTE: For more information on Remote Desktop, see the section **Launching the Remote Desktop**.
- iDRAC
NOTE: For information about initial setup, configuration, and console redirection using iDRAC, see the *Integrated Dell Remote Access Controller 7 User's Guide* at dell.com/openmanagemanuals.

4 Initial Configuration



1. When you start your NAS system running Windows Storage Server 2012 for the first time, press **OK** on the **Default Password** screen.
NOTE: Before changing the password, ensure that you change the system language according to your preference.
2. To change the default language, navigate to **C:\Dell_OEM\MUI**, and run the appropriate language batch file. Follow the on-screen prompts to install your preferred language.
3. To change your administrator password, press **<Ctrl><Alt>** and click **Change a Password**.

Server Manager starts automatically when you log on the first time.

In **Server Manager**, click **Configure this local server** to:

- Change the computer name
- Specify the domain
- Check for latest Windows updates
- Specify the time zone
- Configure Remote Desktop

NOTE: Click on the left bottom corner of the screen to locate the **Start** screen to navigate to a particular application.

Launching the Remote Desktop

NOTE: Ensure that you have completed the Initial Configuration steps before connecting to the NAS system using Remote Desktop.

- Enable Remote Desktop using Server Manager or system properties (Control Panel -> System).
- If Dynamic Host Configuration Protocol (DHCP) and Domain Name System (DNS) are implemented on your network, your system automatically configures the network settings. You can launch Remote Desktop from a client and remotely access the NAS system using the default system name. For example: In the Remote Desktop Connection window, type `D<ServiceTag>`, where `<ServiceTag>` is the Service Tag number located on the system. To locate the Service Tag of your system, see the section [Locating Your System's Service Tag](#) in this document.

NOTE: The default password is **Stor@ge!**

5 Additional Information

Dell OpenManage Server Administration

You can monitor your system remotely using **Dell OpenManage Server Administrator**. To access **Server Administrator**, connect to the secure port, 1311, of your NAS system. For example, type: `https://D<ServiceTag>:1311` Where `<ServiceTag>` is a unique five- to seven-digit alphanumeric code. To locate the Service Tag of your system, see the section [Locating Your System's Service Tag](#) in this document.

Documentation

For more information, see the following documentation at dell.com/support/manuals.

Title	Description
Getting Started Guide	Provides an overview of system features, setting up your system, and technical specifications. This document is also shipped with your system.
Owner's Manual	Provides information about system features and describes how to troubleshoot the system and install or replace system components.
Rack Installation Instructions	Describes how to install your system into a rack. This document is also shipped with your rack solution.
Administrator's Guide	Provides information about configuring and managing the system.
Troubleshooting Guide	Provides information about troubleshooting the software and the system.
Dell OpenManage Server Administrator User's Guide	Provides information about using the OpenManage Server Administrator to manage your PowerVault NAS system. NOTE: For any documentation related to Dell OpenManage Server Administrator, see dell.com/openmanagemanuals .

Documentation Feedback

If you have any feedback for this document, write to documentation_feedback@dell.com. Alternatively, you can use the Feedback link at the top left corner of your documentation web page.

Free Manuals Download Website

<http://myh66.com>

<http://usermanuals.us>

<http://www.somanuals.com>

<http://www.4manuals.cc>

<http://www.manual-lib.com>

<http://www.404manual.com>

<http://www.luxmanual.com>

<http://aubethermostatmanual.com>

Golf course search by state

<http://golfingnear.com>

Email search by domain

<http://emailbydomain.com>

Auto manuals search

<http://auto.somanuals.com>

TV manuals search

<http://tv.somanuals.com>