

# ASD-PU-01A

## Instruction Sheet

### Digital Keypad / Display

## 1 General Notes

This instruction sheet will be helpful in the installation and operation of Delta ASD-PU-01A. Before using the product, please read this instruction sheet to ensure correct use. You should thoroughly understand all safety precautions before proceeding with the installation and operation, and place this instruction sheet in a safe location for future reference.

If you do not understand please contact your local Delta sales representative.

Please observe the following precautions:

- Do not use the product in a potentially explosive environment.
- Install the product in a clean and dry location free from corrosive and inflammable gases or liquids.
- Please ensure all wirings are correct. Otherwise, damage, malfunction or inability may result.
- Do not shake, strike, hammer or throw the product. Failure to observe this precaution or perform improper operation may seriously damage the product or cause personal injury.
- Do not damage the cables or/and disassemble the product as doing this will cause electric shock and result in serious injury or damage to the product.

## 2 Safety Precautions

ASD-PU-01A is the specified digital keypad / display used with Delta ASDA-B series servo drives. It is provided with 25 groups built-in memories for saving and writing drive parameters. Also, there are three special function keys: SAVE, WRITE and Fast Edit on the keypad and can offer more flexible and convenient operation.

When connecting ASD-PU-01A and ASDBCADK0001 communication cable, if the screws are necessary,  $\phi 2.6 \times 0.9 \times 8$  screws are recommended for use.

Ensure to observe the following precautions when performing unpacking check, installation, wiring and operation.

### Unpacking Check



Please ensure that both the digital keypad and servo drive are correctly matched. Failure to observe this precaution may cause damage, malfunction or inability.

### Installation



Do not install the product in a location that is outside the stated specification for the digital keypad and servo drive. Failure to observe this caution may cause fire, seriously damage the digital keypad and servo drive or cause personal injury.

### Wiring



Please pay close attention on the connectors and wire terminations. Ensure all wirings are correct and secure. Otherwise, damage, malfunction or inability may result.

### Operation



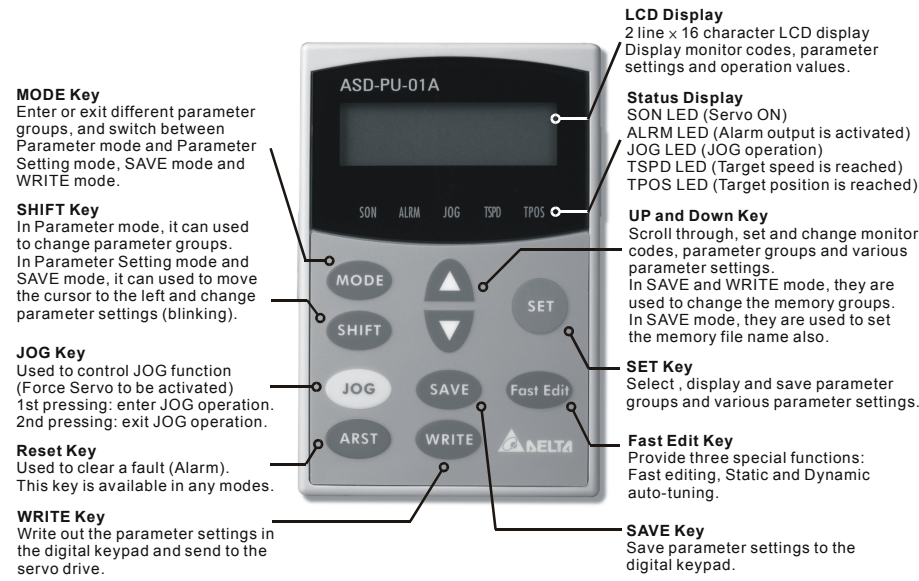
Do not shake, strike, hammer or throw the product. Failure to observe this precaution or perform improper operation may seriously damage the product or cause personal injury.

### Maintenance and Inspection



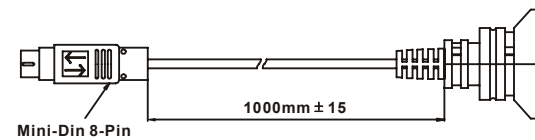
Do not damage the cables. Never disassemble the product. Doing this will cause electric shock and result in serious injury or damage to the product.

## 3 ASD-PU-01A Features



## 4 Communication Cable (Connecting a Keypad to a ASDA-B)

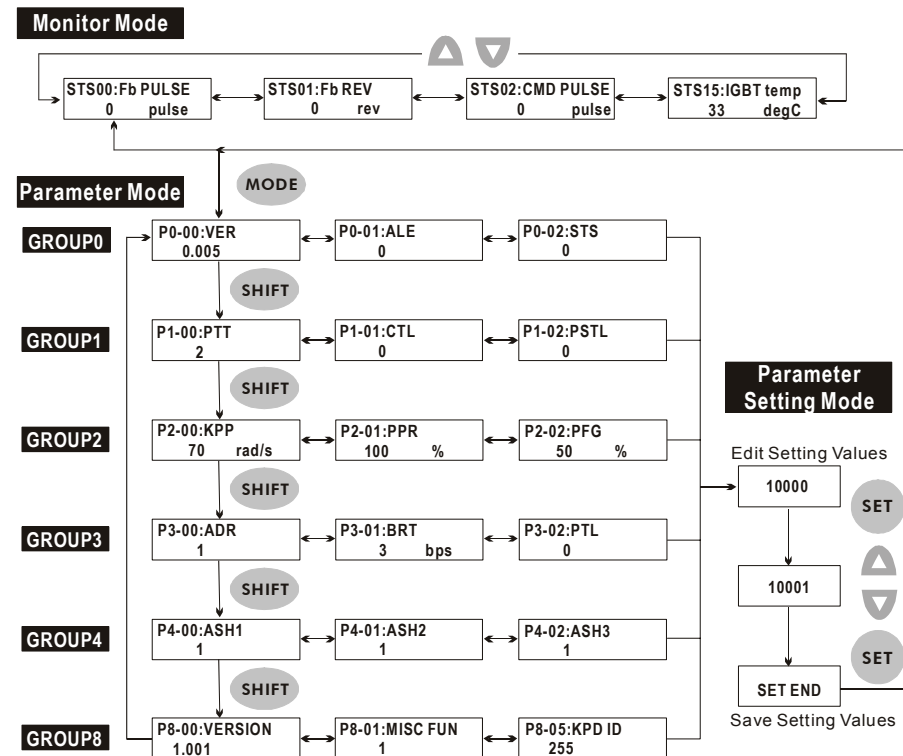
Delta Part Number: ASDBCADK0001



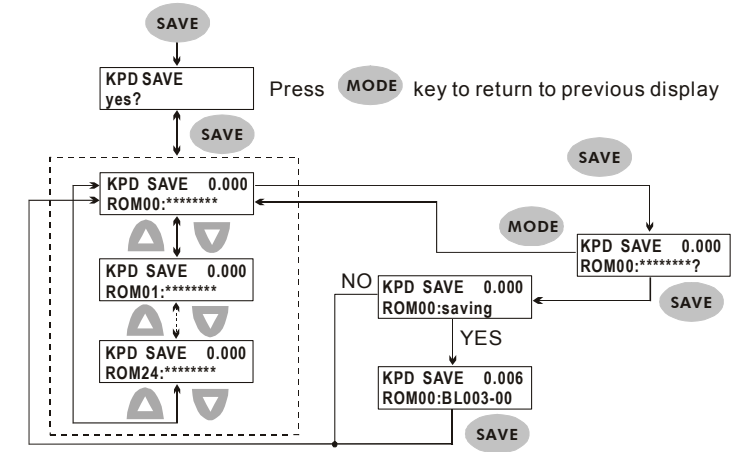
Title	Part No.	Manufacturer
BoxHeader	3071420300	DELTA
Cover	3140311100	DELTA
Housing	2541-K-14PD	JAWS
Terminal	2541-T-G	JAWS

## 5 Display Flowchart

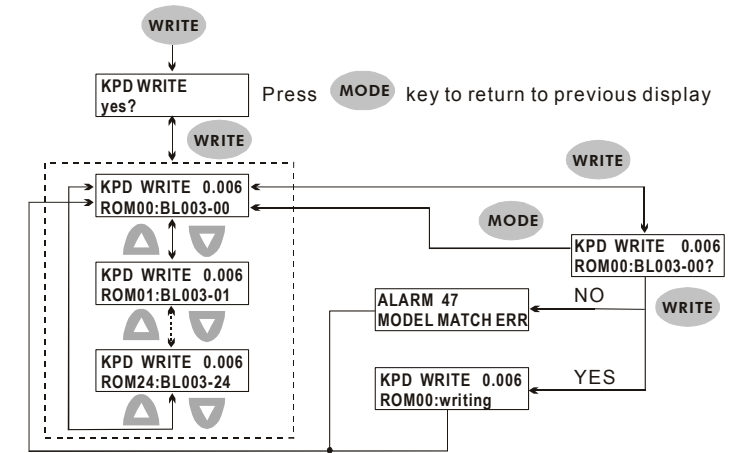
### Monitor Mode, Parameter Mode and Parameter Setting Mode:



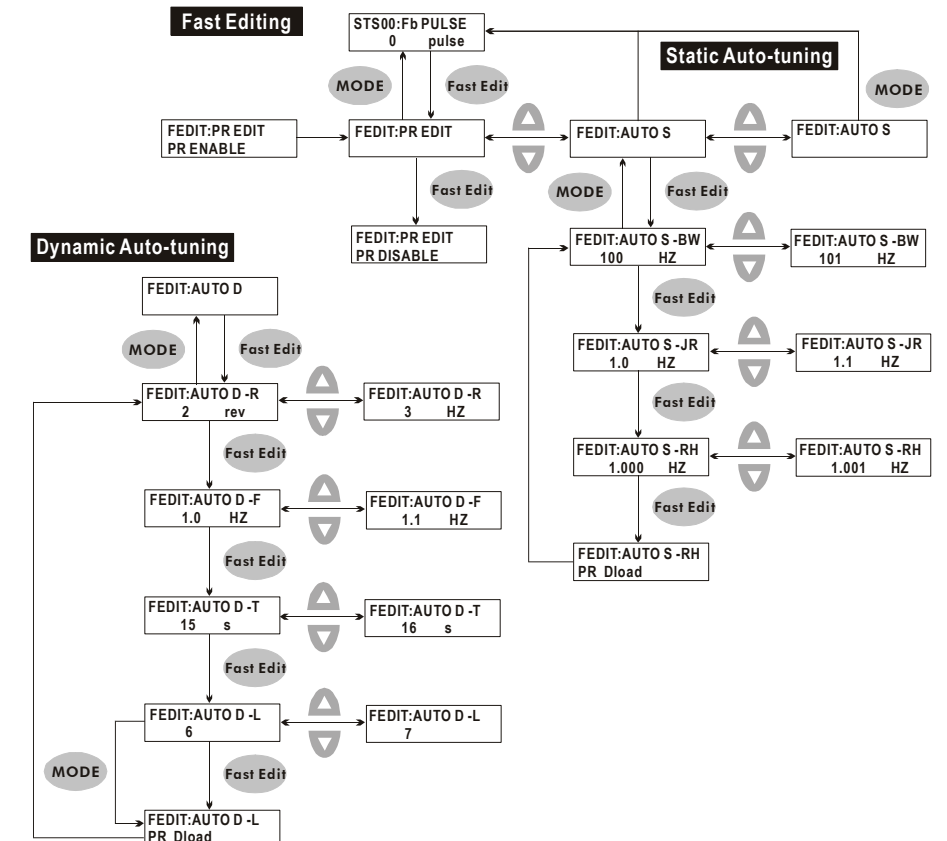
### Save Mode (SAVE) (Save parameter settings to the Keypad)



### Write Mode (WRITE) (Parameter settings written out to the Drive)



### Fast Edit Mode (Fast Edit) (Fast Editing, Static & Dynamic Auto-tuning)



## Free Manuals Download Website

<http://myh66.com>

<http://usermanuals.us>

<http://www.somanuals.com>

<http://www.4manuals.cc>

<http://www.manual-lib.com>

<http://www.404manual.com>

<http://www.luxmanual.com>

<http://aubethermostatmanual.com>

Golf course search by state

<http://golfingnear.com>

Email search by domain

<http://emailbydomain.com>

Auto manuals search

<http://auto.somanuals.com>

TV manuals search

<http://tv.somanuals.com>