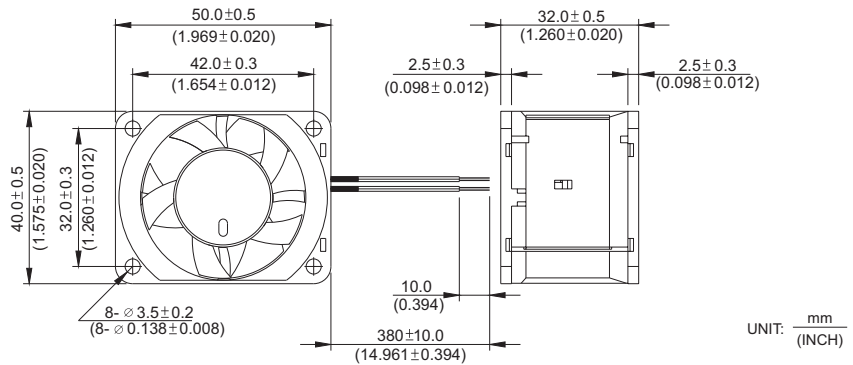
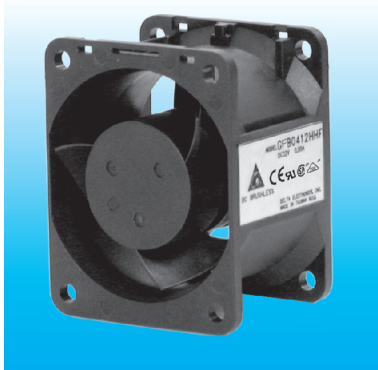


# GFB 40 x 50 x 32 MM SERIES

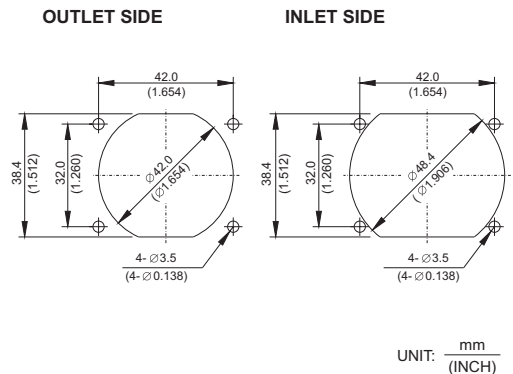
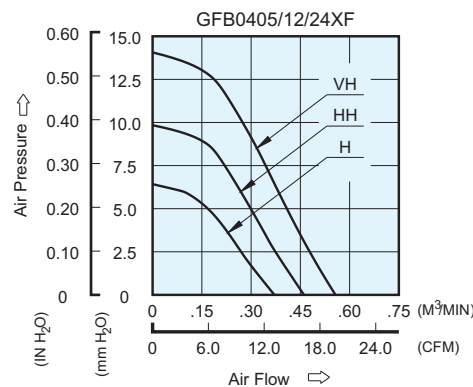
## DIMENSIONS DRAWING



- \* Bearing Type  
Ball Bearings
- \* Material  
Impeller & Frame : Plastic(UL 94V-0)
- \* Lead Wires :  
UL 1061 AWG #24 OR Equivalent  
Red Wire Positive(+)  
Black Wire Negative(-)
- \* Weight : 45g (1.59 OZ)

## P & Q CURVE (AT RATED VOLTAGE)

## MOUNTING PANEL CUTOUT



| MODEL      |             | Rated Voltage | Operating Voltage Range | Input Current | Input Power | Speed (Front /Rear) | Maximum Air Flow    |       | Maximum Air Pressure |                     | Noise |
|------------|-------------|---------------|-------------------------|---------------|-------------|---------------------|---------------------|-------|----------------------|---------------------|-------|
| PART NO.   | FUNCTION    | VDC           | VDC                     | Amp           | Watt        | R.P.M.              | m <sup>3</sup> /min | CFM   | mmH <sub>2</sub> O   | IN H <sub>2</sub> O | dB-A  |
| GFB0405HF  | -R00 / -F00 | 5             | 4.5 to 5.5              | 0.36          | 1.80        | 6500/6200           | 0.371               | 13.10 | 6.42                 | 0.253               | 41.0  |
| GFB0412HF  | -R00 / -F00 | 12            | 7.0 to 13.2             | 0.14          | 1.68        |                     |                     |       |                      |                     |       |
| GFB0424HF  | -R00 / -F00 | 24            | 14.0 to 26.4            | 0.12          | 2.88        |                     |                     |       |                      |                     |       |
| GFB0405HHF | -R00 / -F00 | 5             | 4.5 to 5.5              | 0.66          | 3.30        | 8000/7650           | 0.461               | 16.28 | 9.84                 | 0.387               | 46.5  |
| GFB0412HHF | -R00 / -F00 | 12            | 7.0 to 13.2             | 0.23          | 2.76        |                     |                     |       |                      |                     |       |
| GFB0424HHF | -R00 / -F00 | 24            | 14.0 to 26.4            | 0.16          | 3.84        |                     |                     |       |                      |                     |       |
| GFB0412VHF | -R00 / -F00 | 12            | 7.0 to 13.2             | 0.36          | 4.32        | 9500/9100           | 0.557               | 19.67 | 14.06                | 0.554               | 51.5  |
| GFB0424VHF | -R00 / -F00 | 24            | 14.0 to 26.4            | 0.22          | 5.28        |                     |                     |       |                      |                     |       |

\* Function type is optional.  
 \* The max. air flow and the speed are measured in free air ; max. air pressure is measured at zero air flow.  
 \* Noise is measured in anechoic chamber in free air, one meter from intake side.  
 \* All readings are typical values at rated voltage.  
 \* Specifications are subject to change without notice.

## Free Manuals Download Website

<http://myh66.com>

<http://usermanuals.us>

<http://www.somanuals.com>

<http://www.4manuals.cc>

<http://www.manual-lib.com>

<http://www.404manual.com>

<http://www.luxmanual.com>

<http://aubethermostatmanual.com>

Golf course search by state

<http://golfingnear.com>

Email search by domain

<http://emailbydomain.com>

Auto manuals search

<http://auto.somanuals.com>

TV manuals search

<http://tv.somanuals.com>