



## Propane/LP Patio Heater Owner's Manual

**GAS FIRED**



**⚠ WARNING: For outdoor use only.**

**MODELS  
TD125, TD126, TD127 AND TD128**



**IMPORTANT: Read and understand this manual before assembling, starting or servicing heater. Improper use of heater can cause serious injury. Keep this manual for future reference.**

### **FOR YOUR SAFETY**

**Do not store or use gasoline or other flammable vapors and liquids in the vicinity of this or any other appliance.**

### **FOR YOUR SAFETY**

**If you smell gas:**

- 1. Shut off gas to the appliance.**
- 2. Extinguish any open flame.**
- 3. If odor continues, immediately call your gas supplier.**

**Save this manual for future reference.  
For more information, visit [www.desatech.com](http://www.desatech.com)**

**⚠ WARNING: Improper installation, adjustment, alteration, service or maintenance can cause injury, property damage, or death. Read the installation, operating, and maintenance instructions thoroughly before installing or servicing this equipment.**

## TABLE OF CONTENTS

Specifications .....	2	Operation .....	9
Safety .....	2	Storage .....	10
Propane/LP Safety .....	4	Servicing .....	11
Unpacking Heater .....	4	Replacement Parts .....	11
Assembly .....	5	Technical Service .....	11
Checking for Leaks .....	8	Parts .....	12
Locating Heater .....	9	Warranty .....	16

## SPECIFICATIONS

- Rating: 40,000 Btu/hr (11.7 kW)
- Type of Gas: Propane/LP Only
- Gas Supply Pressure to Regulator: Maximum - 150 psi (1034.2 kPa), Minimum - 5 psi (34.5 kPa)
- Gas Supply Pressure Regulator Out: 11" W.C. (2.74 kPa)
- Ignition: TD125 Electronic Ignition, TD126, TD127, TD128 Manual Ignition
- Fuel Consumption: 1.8 lbs./hr (0.9 kg/hr)
- Flame Safety: Thermocouple Operated Gas Valve

## SAFETY

**⚠ WARNING: This product contains and/or generates chemicals known to the State of California to cause cancer or birth defects, or other reproductive harm.**

**⚠ WARNING: Not for home or recreational vehicle use.**

**⚠ WARNING: Fire, burn, inhalation, and explosion hazard. Keep solid combustibles, such as building materials, paper or cardboard, a safe distance away from the heater as recommended by the instructions. Never use the heater in spaces which do or may contain volatile or airborne combustibles, or products such as gasoline, solvents, paint thinner, dust particles or unknown chemicals.**

We cannot foresee every use which may be made of our heaters. Check with your local fire safety authority if you have questions about heater use.

Other standards govern the use of fuel gases and heat producing products for specific uses. Your local authorities can advise you about these.

**Carbon Monoxide Poisoning:** Direct-Fired means that all of the combustion products enter the heated space. Even though this heater operates very close to 100 % combustion efficiency, it still produces small amounts of carbon monoxide. Some people are more affected by carbon monoxide than others. Early signs of carbon monoxide poisoning resemble the flu, with headaches, dizziness, and/or nausea. If you have these signs, the heater may not be working properly. **Get fresh air at once!** Check for proper ventilation and have heater serviced.

**Propane Gas:** Propane gas is odorless. An odor-making agent is added to propane gas. The odor helps you detect a propane gas leak. However, the odor added to propane gas can fade. Propane gas may be present even though no odor exists.

# SAFETY

## Continued

This is a propane, direct-fired heater. Propane is heavier than air. If propane leaks from a connection or fitting, it sinks to the floor, collecting there with the surrounding air, forming a potentially explosive mixture. Obviously, propane leaks should be avoided, so set up the propane supply with utmost care. Read *Propane/LP Safety*, page 4 for additional information about detecting propane leaks. Leak check new connections or reconnections with a noncorrosive leak detection fluid and follow all connection instructions herein. Also, ask your propane dealer for advice on the propane application and supply installation and ask them to check it if there are any questions.

When the heater is to be operated in the presence of other people the user is responsible for properly acquainting those present with the safety precautions and instructions, and of the hazards involved.

Make certain you read and understand all warnings. Keep this manual for reference. It is your guide to safe and proper operation of this heater.

1. **State of Massachusetts:** The installation must be made by a licensed plumber or gas fitter in the Commonwealth of Massachusetts.
2. Check heater thoroughly for damage. DO NOT operate a damaged heater.
3. DO NOT modify heater or operate a heater which has been modified from its original condition.
4. Use only propane/LP gas.
5. Use only VAPOR WITHDRAWAL propane supply. The propane cylinder must be arranged for vapor-withdrawal, in accordance with the *Compress Gas Associations, Small Propane Bottle Assembly*. If there is any question about vapor withdrawal, ask your propane dealer.
6. Use only hose and regulator assembly provided with heater.
7. Inspect hose assembly before each use of heater. If there is excessive abrasion or wear, or hose is cut, replace with hose assembly listed on parts list before using heater.
8. This heater is for OUTDOOR USE ONLY. Make sure there is ample fresh air ventilation. Do not use in buildings, garages or other enclosed spaces.
9. If at any time gas odor is detected, IMMEDIATELY DISCONTINUE operation until source of gas has been located and corrected. Read *Propane/LP Safety*, page 4 for additional information about detecting propane leaks.
10. Do not expose heater to water spray, rain and/or dripping water.
11. Maintain minimum clearance to people or normal combustible material (paper) of 3 ft. (91.44 cm) from top and 2 ft. (60.96 cm) from reflector.
12. Operate only on a stable, level surface.
13. Do not spray aerosols near heater during use or shortly thereafter.
14. Do not clean heater with combustible or corrosive cleaners. Use a noncorrosive leak detection fluid.
15. Check control compartment burners and circulation air passageways for free air passage. Make sure there are no obstructions. These areas are a common location for spider webs, which can present a dangerous condition, damage heater and render it unsafe for use. Heater must be checked if any of the following conditions exist:
  - a) Gas smell along with predominate yellow tipping of burner.
  - b) Heater does not reach temperature.
  - c) Uneven burner glow.
  - d) Burner makes popping noises during normal use, other than during shutdown.
16. Use only a noncorrosive leak detection fluid to conduct leak tests whenever a propane cylinder is connected. Bubbles indicate a leak.
17. Do not adjust gas regulator. If you are unsure of your appliances gas type or pressure, call a qualified service person.
18. Place control knob in OFF position when heater is not in use.
19. Always disconnect gas supply after heater is turned OFF.
20. Do not move, handle or service while hot or burning.
21. Allow 45 minutes to cool down after use before attempting to move heater.
22. Do not operate this appliance in windy conditions. Maximum allowable wind speed is 10 mph (16 Km/h).

## SAFETY

### Continued

23. Do not operate this appliance in temperature conditions below 40° F (5° C).
24. Keep heater away from areas where flammable liquids, vapors or solids are stored or used.
25. If operated in salt air environments, unit will require more frequent cleaning. Otherwise, longevity of unit will deteriorate rapidly. Use warm soapy water to clean unit.
26. Items or material stored under heater will be subjected to radiant heat and could be seriously damaged.

**Any guard or other protective device removed for servicing must be replaced prior to operating the heater.**

**Surface temperatures become very hot when operating heater. Children and adults should stay away to avoid burns or clothing ignition.**

**Young children should be carefully supervised when they are in the area of the heater.**

**Clothing or other flammable materials should not be hung from the heater, or placed on or near heater.**

**Installation and repair should be done by a qualified service person. The heater should be inspected before use and at least annually by a qualified service person. More frequent cleaning may be required as necessary. It is imperative that control compartments, burners and circulating air passageways of the heater be kept clean.**

**⚠ CAUTION: The gas pressure regulator provided with this appliance must be used. This regulator is set for an output pressure of 11" W.C. (2.74 kPa).**

## PROPANE/LP SAFETY

**⚠ WARNING: For outdoor use only.**

### ASPHYXIATION HAZARD

- Do not use this heater for heating human or animal living quarters.
- Do not use in unventilated areas.
- The flow of combustion and ventilation air must not be obstructed.
- Proper ventilation air must be provided to support the combustion air requirements of the heater being used.

- Refer to the *Specifications*, page 2, heater data plate or contact DESA Heating, LLC to determine combustion air ventilation requirements of the heater.
- Lack of proper ventilation air will lead to improper combustion.
- Improper combustion can lead to carbon monoxide poisoning leading to serious injury or death. Symptom of carbon monoxide poisoning can include headaches dizziness and difficulty in breathing.

## UNPACKING HEATER

1. Carefully remove packaging material from box.
2. Carefully remove heater components from box. Inspect parts for possible shipping damage. If any is found, immediately notify dealer.
3. Check to make sure that all components are included with your heater (see pages 12 and 13).

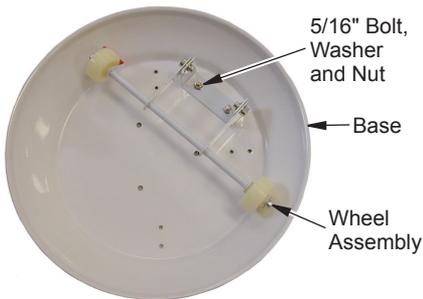
# ASSEMBLY

## Tools Required:

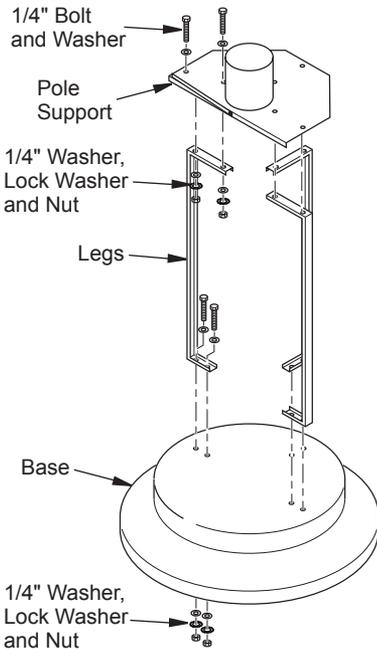
- 1) #2 Phillips Head Screwdriver
- 2) Adjustable Wrenches

Hardware packet provided with heater may contain more parts than needed for heater assembly.

1. Attach wheel assembly to base using two 5/16" bolts, two 5/16" washers and two 5/16" nuts (see Figure 1).
2. Attach legs to base using two 1/4" bolts, four 1/4" washers, two 1/4" lock washers and two 1/4" nuts per leg (see Figure 2). Place washer on bolt then insert bolt through leg and into top of base. Attach



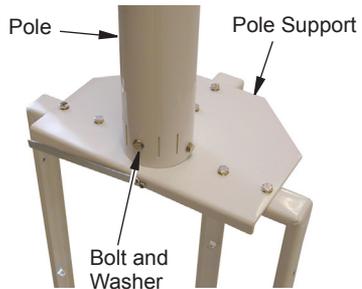
**Figure 1 - Attaching Wheels to Base**



**Figure 2 - Base Assembly**

washer, lock washer and nut from underneath base. Finger tighten only. Repeat for each bolt and leg. **Do not fully tighten until next step.**

3. Secure pole support to legs using two 1/4" bolts, four 1/4" washers, two 1/4" lock washers and two 1/4" nuts per leg (see Figure 2). Repeat for each leg. Wrench tighten nuts and bolts from step 1 and 2.
4. Remove 4 bolts and washers in collar of pole support (see Figure 3). Place pole over pole support collar. Reattach and tighten 4 bolts and washers.
5. Attach back cover using four 1/4" large Phillips head screws and four 1/4" washers as shown in Figure 4.



**Figure 3 - Pole to Pole Support**



**Figure 4 - Attaching Back Cover**

## ASSEMBLY

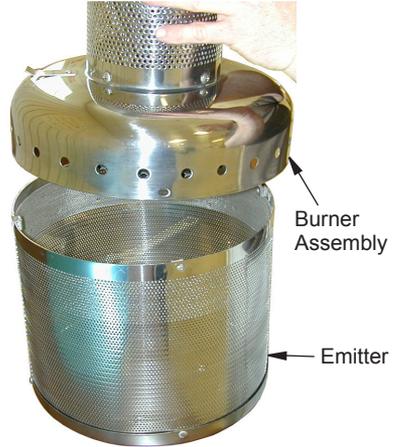
### Continued

6. Install tank door by placing cutouts on sides over screws installed in step 5 (see Figure 5).
7. Slide propane/LP cylinder top down pole and over pole support (see Figure 6). Be sure that propane/LP cylinder top rests level on base.

- Note: A cap support is provided on pole support to lift top when changing propane/LP cylinder.*
8. Remove 4 screws in bottom of emitter. Place burner assembly on emitter and align holes. Replace screws. See Figures 7 and 8.



**Figure 5 - Attaching Tank Door**



**Figure 7 - Placing Burner Assembly Onto Emitter**



**Figure 6 - Installing Cylinder Cap**



**Figure 8 - Attaching Burner Assembly and Emitter**

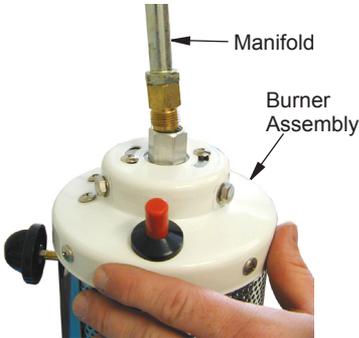
# ASSEMBLY

## Continued

9. Thread manifold to bottom of burner assembly (see Figure 9). Tighten with wrenches (see Figure 10.)
10. Temporarily connect hose and regulator to manifold. Connect hose and regulator to a 20 lb. propane cylinder.

### DO NOT LIGHT HEATER!

Open propane cylinder valve. Leak test burner assembly and manifold connection using a noncorrosive leak detection fluid. DO NOT USE FLAME. See Checking for Leaks, page 8. When there is no sign of a leak, turn off propane/LP cylinder valve and disconnect regulator from propane/LP gas cylinder. Slowly loosen connection between manifold and hose and regulator assembly. Propane gas left in hose will escape.

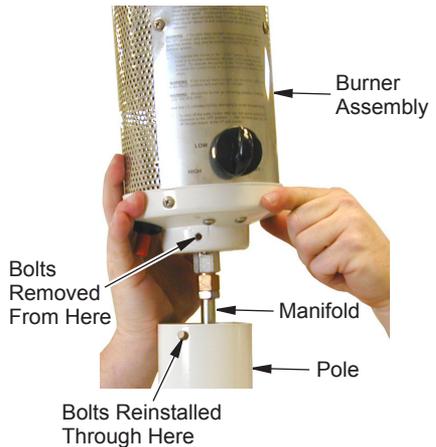


**Figure 9 - Attaching Manifold to Burner Assembly**



**Figure 10 - Tightening Manifold and Burner Assembly**

11. Remove bolts from burner assembly. Carefully lean base and pole assembly over and insert manifold and burner assembly through pole (see Figure 11). Replace bolts.
12. Remove blue film from dome top. Dome attaches to burner assembly with three 5/16" nuts and six 5/16" washers. Place 1 washer on each threaded stud of burner assembly. Place dome over studs. Attach 3 washers and nuts to studs. See Figure 12.



**Figure 11 - Sliding Manifold and Burner Assembly into Pole**



**Figure 12 - Attaching Dome to Burner Assembly**

## ASSEMBLY

### Continued

13. Remove tank door. Wrench tighten regulator and hose assembly to manifold as shown in Figure 13. Check connections for gas leaks (see *Checking for Leaks*).

*Note: Make sure hose and regulator assembly attached to manifold are never bent or kinked during installation and operation of heater.*

14. Place propane/LP tank on top of base. Attach regulator.

15. Install propane tank safety chain around tank and into openings on legs as shown in Figure 14.

16. Reinstall door.



**Figure 13 - Attaching Regulator and Hose Assembly**



**Figure 14 - Propane Tank and Safety Chain**

## CHECKING FOR LEAKS

**IMPORTANT:** The heater must be leak tested before any further assembly is done. Use only a noncorrosive leak detection fluid. DO NOT USE FLAME.

Turn control knob to the OFF position. Securely connect regulator to propane/LP gas cylinder. Open propane/LP cylinder valve. Apply a noncorrosive leak detection fluid to connections at the manifold and regulator connections. Bubbles forming show a leak.

In case of any leaks, turn off propane/LP cylinder valve, remove manifold, check and clean connection. Reconnect manifold and leak test again.

Upon completion of leak test, and when there is no sign of a leak, turn off propane/LP cylinder valve and disconnect regulator from propane/LP gas cylinder. Remove propane/LP gas cylinder and continue to next step.

## LOCATING HEATER

**⚠ WARNING: Do not move heater when lit. Allow heater to cool before moving.**

1. Locate pop-out wheel decal on base of heater (see Figure 15).



*Figure 15 - Pop-out Wheels*

2. Standing on decal side of heater, carefully lean heater away from you to access wheels underneath base.
3. Swing wheels out from under base to relocate heater.
4. Replace wheels underneath base after placing heater in desired location.



*Figure 16 - Locating Heater*

## OPERATION

**⚠ WARNING: If you smell gas:**

- Shut off gas to the appliance.
- Extinguish any open flames.
- If odor continues, immediately call your gas supplier.

**See safety warnings and precautions starting on the front page of this manual for more information.**

### PREPARING FOR OPERATION

1. Check heater for possible shipping damage. If any is found, immediately notify dealer.
2. Follow all safety information starting on page 2.
3. Check and assure control knob is in the OFF position.
4. Place propane/LP gas cylinder inside cylinder base. Securely connect regulator to propane/LP gas cylinder.
5. Turn cylinder valve on. Apply a non-corrosive leak detection fluid to connection at regulator and cylinder. Bubbles forming show a leak.
6. In case of any leaks, turn off propane/LP cylinder valve, undo leaking connection. Check and clean connection. Reconnect regulator and leak test again.

**IMPORTANT:** On new installations or routine gas cylinder changes. The system must be purged of air before use. Turn control knob to the pilot setting. Press and hold for 30-40 seconds before attempting to light pilot.

## OPERATION

*Continued*

### TO LIGHT

1. Shut main gas supply valve on propane cylinder off. Set heater control knob to OFF position. Wait 5 minutes.
2. Open main gas supply valve on propane cylinder.
3. Turn heater control knob to the PILOT position. Push and hold for 5 seconds. Press igniter button until pilot is lit. Continue to hold heater control valve for 30 seconds then release.

**CAUTION:** Do not attempt to slide viewing hole cover when main burner is lighting, operating or hot.

4. TO MATCH LIGHT PILOT: Rotate match light hole cover. Apply flame to pilot burner while holding knob in for 20 seconds or until pilot remains lit when knob is released.
5. Knob can now be turned to the ON position.

**IMPORTANT:** Smoke and odor (not a gas odor) emission may occur in the first 30 minutes of use. Run heater at high setting for at least 30 minutes to eliminate this problem.

**WARNING:** If you smell gas while in use, immediately press and turn control knob to the OFF position to shut down heater.

### TO SHUT DOWN

1. Turn control knob to the OFF position.
2. Shut off main gas supply.
3. Wait 5 minutes before relighting heater.



**Figure 17 - Heater Controls and Viewing Hole and Cover**

## STORAGE

1. Allow at least 45 minutes for heater to cool down after using.
2. Store heater upright in a sheltered area away from inclement weather and dust.
3. If desired, cover heater after heater has cooled.
4. If heater is not to be used for an extended period of time, disconnect and remove propane/LP gas cylinder and store in accordance with the *Standard for Storage and Handling of Liquefied Petroleum Gases, ANSI/INFP 58*.

## SERVICING

To assure safety, proper function and longevity of the heater, regular maintenance is required. The frequency of maintenance will depend on the usage of the unit. Review the following concerning the criteria for a properly functioning heater. Failing to follow proper, regular maintenance will void warranty.

A hazardous condition may result if a heater is used that has been modified or is not functioning properly. When the heater is working properly:

- The flame is contained within the heater.
- The flame is essentially blue with perhaps some yellow tipping.
- There is no strong disagreeable odor, eye burning or other physical discomfort.

- There is no smoke or soot internal or external to the heater.
- There are no unplanned or unexplained shut downs of the heater.

The parts list shows the heater as it was constructed. Do not use a heater which is different from that shown. In this regard, use only the hose, regulator and cylinder connection fitting (called a POL fitting) supplied with the heater. **IMPORTANT:** Do not use alternates. For this heater, the regulator must be set as shown in Specifications, page 2. If there is any uncertainty about the regulator setting, have it checked by a qualified service person.

## REPLACEMENT PARTS

 **WARNING: Use only original replacement parts. This heater must use design-specific parts. Do not substitute or use generic parts. Improper replacement parts could cause serious or fatal injuries. This will also protect your warranty coverage for parts replaced under warranty.**

### PARTS UNDER WARRANTY

Contact authorized dealers of this product. If they can't supply original replacement part(s), either contact your nearest Parts Central or call DESA Heating, LLC at 1-866-672-6040.

When calling DESA Heating, LLC have ready

- your name
- your address
- model number of your heater
- how heater was malfunctioning
- purchase date

### PARTS NOT UNDER WARRANTY

Contact authorized dealers of this product. If they can't supply original replacement part(s), either contact your nearest Parts Central (listed in Authorized Service Center booklet) or call DESA Heating, LLC at 1-866-672-6040 for referral information.

When calling DESA Heating, LLC have ready

- model number of your heater
- the replacement part number

## TECHNICAL SERVICE

A heater which is not working right must be repaired, but only by a trained, experienced service person. To find the service center closest to you, or if you have further questions about this heater, contact DESA Heating, LLC at 1-866-672-6040. When calling, please have your model and serial numbers of your heater ready.

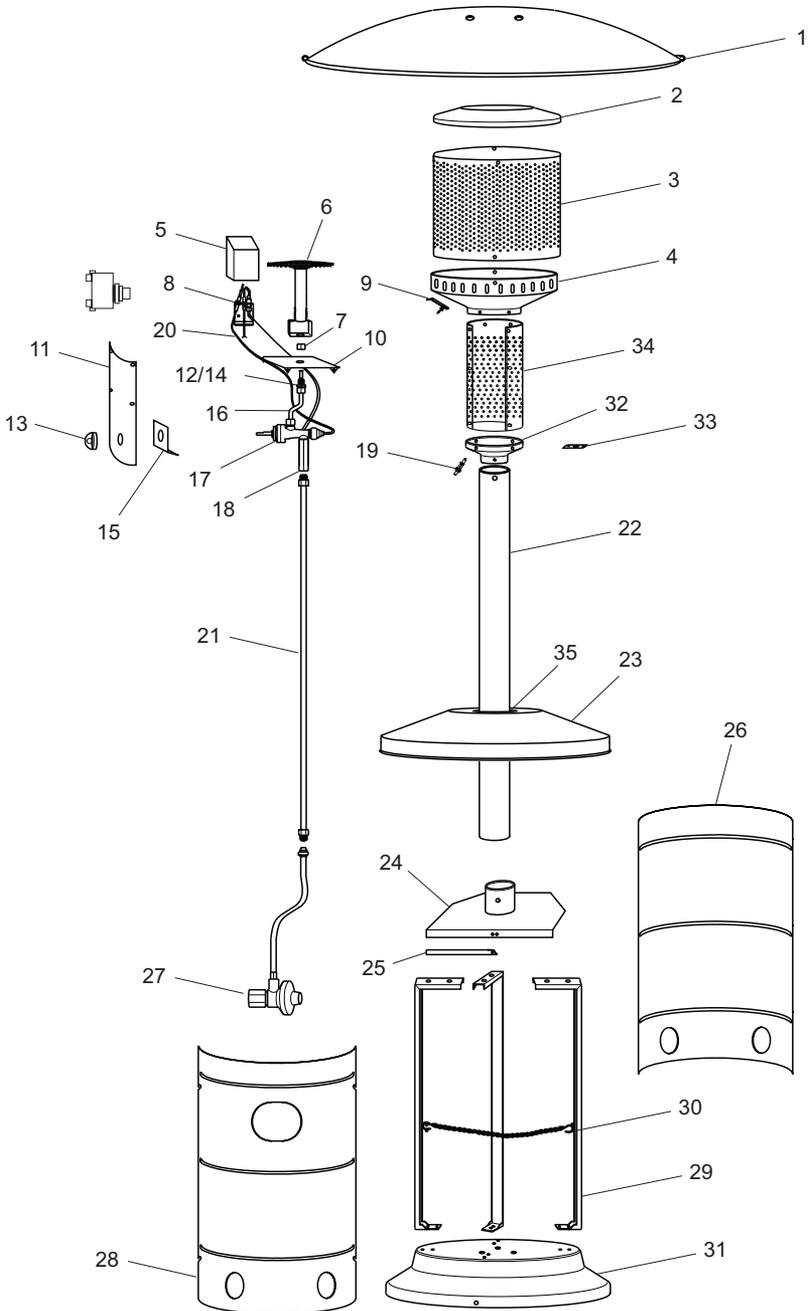
You can also visit DESA Heating, LLC's web site at [www.desatech.com](http://www.desatech.com).

You may also obtain in-warranty or out of warranty service by taking the product to your local service center.

# PARTS

## MODELS

TD125, TD126, TD127, TD128



## PARTS

This list contains replaceable parts used in your heater. When ordering parts, follow the instructions listed under Replacement Parts on page 11 of this manual.

KEY NO.	PART NO.	DESCRIPTION	Td125	Td126	Td127	Td128	QTY
1	V01-001	Dome	•	•	•	•	1
2	V01-002	Emitter Cap	•	•	•	•	1
3	V01-003	Emitter	•	•	•	•	1
4	V01-005	Emitter Bottom	•	•	•	•	1
5	V01-008	Pilot Cover	•	•	•	•	1
6	V01-004	Main Burner	•	•	•	•	1
7	V01-028	Copper Nut	•	•	•	•	1
8	V01-007	Pilot Burner Assembly	•	•	•	•	1
9	V01-006	View-hole Cover	•	•	•	•	1
10	V01-011	Insulation Panel	•	•	•	•	1
11	V01-009	Face Panel (English Operation)	•	•	•	•	1
12	V01-026	Main Nozzle	•	•	•	•	1
13	V01-034	Knob	•	•	•	•	1
14	V01-027	Nozzle Connector	•	•	•	•	1
15	V01-012	Valve Support	•	•	•	•	1
16	V01-029	Main Burner Gas Line	•	•	•	•	1
17	V01-037	Valve Assembly	•	•	•	•	1
18	V01-030	Connector Tube	•	•	•	•	1
19	V01-036	Ignitor, Manual	•	•	•	•	1
	V01-036E	Ignitor, Electronic	•	•	•	•	1
20	V01-023	Ignitor Line	•	•	•	•	1
21	V01-031	Gas Line	•	•	•	•	1
22	V01-015	Post	•	•	•	•	1
23	V01-017	Cylinder Cap	•	•	•	•	1
24	V01-016	Post Support	•	•	•	•	1
25	V01-022	Cylinder Cap Support	•	•	•	•	1
26	V01-019	Back Cover	•	•	•	•	1
27	V01-045	Regulator Assembly	•	•	•	•	1
28	V01-018	Door	•	•	•	•	1
29	V01-020	Legs	•	•	•	•	3
30	V01-032	Chain	•	•	•	•	1
31	V01-021K	Base Kit	•	•	•	•	1
32	V01-014	Valve Housing Bottom	•	•	•	•	1
33	V01-013	Gas Line Fixed Plate	•	•	•	•	1
34	V01-010	Valve Housing	•	•	•	•	1
35	V01-035	O Ring	•	•	•	•	1
<b>PARTS AVAILABLE - NOT SHOWN</b>							
	NV02-08-00	Wheel Assembly	•	•	•	•	1
	121119-01	Hardware Package	•	•	•	•	1
	114124-01	Warning Hang Tag, English	•	•	•	•	1
	114124-02	Warning Hang Tag, Spanish	•	•	•	•	1
	114124-03	Warning Hang Tag, French	•	•	•	•	1
	114122-02	Operation Decal, English	•	•	•	•	1
	114124-06	Operation Hang Tag, Spanish	•	•	•	•	1
	114124-07	Operation Hang Tag, French	•	•	•	•	1
	121420-01	Wheel Warning Decal	•	•	•	•	1





## **WARRANTY**

### **KEEP THIS WARRANTY**

Model (located on product or identification tag) \_\_\_\_\_

Serial No. (located on product or identification tag) \_\_\_\_\_

Date Purchased \_\_\_\_\_

Keep receipt for warranty verification.

#### **LIMITED WARRANTY**

DESA Heating, LLC warrants this product and any parts thereof, to be free from defects in materials and workmanship for one (1) year for residential home owner usage or 90 days for commercial/industrial usage from the date of first purchase when operated and maintained in accordance with instructions. This warranty is extended only to the original retail purchaser, when proof of purchase is provided.

This warranty covers only the cost of parts and labor required to restore the product to proper operating condition. Transportation and incidental costs associated with warranty repairs are not reimbursable under this warranty.

Warranty service is available only through authorized dealers and service centers.

This warranty does not cover defects resulting from misuse, abuse, negligence, accidents, lack of proper maintenance, normal wear, alteration, modification, tampering, contaminated fuels, repair using improper parts, or repair by anyone other than an authorized dealer or service center. Routine maintenance is the responsibility of the owner.

**THIS EXPRESS WARRANTY IS GIVEN IN LIEU OF ANY OTHER WARRANTY EITHER EXPRESSED OR IMPLIED, INCLUDING WARRANTIES OF MERCHANTABILITY AND FITNESS FOR A PARTICULAR PURPOSE.**

DESA Heating, LLC assumes no responsibility for indirect, incidental or consequential damages. Some states do not allow the exclusion or limitation of incidental or consequential damages or limitations or exclusions may not apply to you. This Limited Warranty gives you specific legal rights and you may also have other rights which vary from state to state.

This warranty does not cover discoloration due to operation of heater. The only warranty applicable is our standard written warranty. We make no other warranty, expressed or implied.

#### **WARRANTY SERVICE**

Should your heater require service, return it to your nearest authorized service center. Proof of purchase must be presented with the heater. The heater will be inspected. A defect may be caused by faulty materials or workmanship. If so, DESA Heating, LLC will repair or replace the heater without charge.

#### **REPAIR SERVICE**

Return the heater to your nearest authorized service center. Each Service Center is independently owned and operated. Repairs not covered by the warranty will be billed at standard prices.

For information about this warranty write:



DESA Heating, LLC  
2701 Industrial Drive  
P.O. Box 90004  
Bowling Green, KY 42102-9004  
www.desatech.com  
1-866-672-6040

121117-01  
Rev. B  
08/07



**Calentador para patio de  
propano o gas LP  
Manual del propietario**

**GAS FIRED**



**⚠ ADVERTENCIA: para uso  
en exteriores solamente.**

**MODELOS  
TD125, TD126, TD127 Y TD128**



**IMPORTANTE: lea y comprenda este manual antes de ensamblar, encender o dar servicio al calentador. El uso inadecuado del calentador puede causar lesiones graves. Conserve este manual para referencias futuras.**

### **POR SU SEGURIDAD**

**No guarde ni utilice gasolina u otros vapores y líquidos inflamables cerca de este aparato ni de cualquier otro.**

### **POR SU SEGURIDAD**

**Si percibe olor a gas:**

- 1. Cierre el suministro de gas al aparato.**
- 2. Apague cualquier llama al descubierto.**
- 3. Si el olor continúa, llame inmediatamente a su proveedor de gas.**

**Guarde este manual para referencias futuras.  
Para obtener más información, visite [www.desatech.com](http://www.desatech.com)**

Download from [www.Somanuals.com](http://www.Somanuals.com). All Manuals Search And Download.

**⚠ ADVERTENCIA:** la instalación, ajuste, alteración, servicio o mantenimiento inadecuados pueden provocar lesiones, daños a la propiedad o la muerte. Lea cuidadosamente las instrucciones de instalación, operación y mantenimiento antes de instalar el equipo o realizar tareas de mantenimiento.

## TABLA DE CONTENIDO

Especificaciones.....	2	Funcionamiento .....	10
Seguridad .....	2	Almacenamiento.....	12
Seguridad del propano o gas LP .....	5	Mantenimiento.....	12
Desempaquete del calentador.....	5	Piezas de repuesto.....	13
Ensamble.....	6	Servicio técnico .....	13
Revisión de fugas .....	9	Piezas.....	14
Ubicación del calentador .....	10	Garantía.....	16

## ESPECIFICACIONES

- Clasificación: 11.7 kW (40,000 BTU/h)
- Tipo de gas: únicamente propano o gas LP
- Presión del suministro de gas al regulador: máxima: 1034.2 kPa (150 PSI), mínima: 34.5 kPa (5 PSI)
- Presión de la salida de suministro de gas del regulador: 2.74 kPa (11" de c.a.)
- Encendido: el modelo TD125 con encendido electrónico; los modelos TD126, TD127 y TD128 con encendido manual
- Consumo de combustible: 0.9 kg/h (1.8 lb/h)
- Seguridad de la llama: válvula de gas que opera con termopar

## SEGURIDAD

**⚠ ADVERTENCIA:** este producto contiene y/o genera químicos que el estado de California reconoce que causan cáncer, defectos de nacimiento u otros daños relacionados con la reproducción.

**⚠ ADVERTENCIA:** no se debe usar en residencias ni en vehículos recreativos.

**⚠ ADVERTENCIA:** peligro de incendio, quemaduras, inhalación y explosión. Mantenga los combustibles sólidos, como materiales de construcción, papel o cartón, a una distancia segura del calentador según se recomienda en las instrucciones. Nunca use el calentador en áreas en las que haya o pueda haber combustibles volátiles o que se acumulen en el aire, o productos como gasolina, solventes, disolvente de pintura, partículas de polvo o químicos desconocidos.

No podemos prever todos los usos que se les pueden dar a nuestros calentadores. Consulte con la autoridad local de seguridad contra incendios en caso que tenga alguna pregunta acerca del uso de calentadores.

# SEGURIDAD

## Continuación

Otras normas rigen el uso de gases combustibles y productos que producen calor para usos específicos. Las autoridades locales pueden informarle acerca de éstas.

**Envenenamiento por monóxido de carbono:** "de combustión directa" significa que todos los productos de la combustión ingresan al espacio que se está calentando. Aun cuando este calentador funciona a un nivel muy cercano al 100% de eficiencia en la combustión, aún produce pequeñas cantidades de monóxido de carbono. El monóxido de carbono afecta más algunas personas que a otras. Los primeros signos de intoxicación con monóxido de carbono son semejantes a los de la gripe, con dolor de cabeza, mareo y/o náusea. Si usted presenta estos síntomas, es posible que el calentador no esté funcionando correctamente. **¡Respire aire fresco inmediatamente!** Compruebe que la ventilación sea adecuada y haga que reparen el calentador.

**Gas propano:** el gas propano no tiene olor. Al gas propano se le agrega un agente con olor. El olor ayuda detectar las fugas de gas propano. Sin embargo, el olor que se añade al gas propano puede desvanecerse. Es posible que haya gas propano a pesar de que no haya ningún olor.

Éste es un calentador de combustión directa de propano. El propano es más pesado que el aire. Si hay una fuga de propano en una conexión o unión, éste bajará al nivel del piso y se acumulará ahí con el aire circundante, formando una mezcla potencialmente explosiva. Obviamente, las fugas de propano deben evitarse, así que instale el suministro de propano con el mayor cuidado posible. Lea *Seguridad del propano o gas LP*, en la página 5 para obtener información adicional acerca de cómo detectar fugas de propano. Revise las nuevas conexiones o las reconexiones en busca de fugas con un líquido no corrosivo para detección de fugas y siga todas las instrucciones de conexión de este documento. Asimismo, pida al distribuidor de propano que le aconseje sobre el uso del propano y la instalación del suministro y pida también que lo revise si tiene alguna duda.

Cuando el calentador se hace funcionar en presencia de otras personas, el usuario es responsable de informar a los presentes las instrucciones y precauciones de seguridad y sobre los peligros involucrados.

Asegúrese de leer y comprender todas las advertencias. Conserve este manual como referencia. Es su guía para la operación segura y correcta de este calentador.

1. **Estado de Massachusetts:** la instalación la debe realizar un plomero o un instalador de gas con licencia para ejercer en el estado de Massachusetts.
2. Inspeccione minuciosamente el calentador en busca de daños. NO haga funcionar un calentador dañado.
3. NO modifique el calentador ni haga funcionar los calentadores que han sido sometidos a modificaciones de su condición original.
4. Utilice propano o gas LP solamente
5. Utilice únicamente suministros de propano con **EXTRACCIÓN DE VAPORES**. El cilindro de propano debe estar equipado para extracción de vapores, de acuerdo con las normas para *el ensamble de recipientes pequeños de propano de la Compressed Gas Association*. En caso de tener alguna pregunta sobre la extracción de vapores, consulte a su distribuidor de propano.
6. Use sólo el conjunto de regulador y manguera que se incluye con el calentador.
7. Inspeccione el conjunto de la manguera antes de cada uso del calentador. Si hay rozaduras o desgaste excesivos, o si la manguera tiene cortaduras, reemplácela con el conjunto de manguera que aparece en la lista de piezas antes de usar el calentador.
8. Este calentador es **PARA USO EN EXTERIORES SOLAMENTE**. Asegúrese que cuenta con abundante ventilación de aire fresco. No se use en edificios, garajes ni en otras áreas cerradas.
9. Si en cualquier momento percibe olor a gas, **DETENGA INMEDIATAMENTE** el funcionamiento del aparato hasta que la fuga de gas haya sido localizada y reparada. Lea *Seguridad del propano o gas LP*, en la página 5 para obtener información adicional acerca de cómo detectar fugas de propano.
10. No exponga el calentador a rocío de agua, lluvia o goteos de agua.

# SEGURIDAD

## Continuación

11. Mantenga una distancia mínima con respecto a las personas o material combustible normal (papel) de 91.44 cm (3 pies) desde la parte superior y de 60.96 cm (2 pies) desde el reflector.
12. Hágalo funcionar únicamente sobre una superficie estable y nivelada.
13. No aplique aerosoles cerca del calentador cuando se esté usando ni poco después de usarlo.
14. No limpie el calentador con combustible o con limpiadores corrosivos. Use un líquido no corrosivo para detección de fugas.
15. Revise los quemadores del compartimiento de control y los conductos de circulación de aire para verificar que el aire fluya libremente. Asegúrese que no haya obstrucciones. En estas áreas comúnmente se acumulan telarañas que pueden producir condiciones de peligro, dañar el calentador y causar que sea inseguro operarlo. Debe de revisar el calentador si se presenta cualquiera de las siguientes condiciones:
  - a) Olor a gas y color predominantemente amarillo en las puntas del quemador.
  - b) El calentador no alcanza la temperatura.
  - c) El brillo en el quemador no es uniforme.
  - d) Se escuchan chasquidos del quemador durante uso normal, aparte de cuando se apaga.
16. Use únicamente líquidos no corrosivos para detección de fugas cuando busque fugas y siempre que se haya conectado un cilindro de propano. Las burbujas indican una fuga.
17. No ajuste el regulador de gas. Si no está seguro del tipo de gas o de la presión de sus aparatos, comuníquese con un técnico capacitado de servicio.
18. Coloque la perilla de control en la posición de apagado cuando el calentador no esté en uso.
19. Desconecte siempre el suministro de gas después de apagar el calentador.
20. No mueva, manobre ni repare el calentador cuando este caliente o en combustión.
21. Antes de tratar de mover el calentador, deje pasar 45 minutos para que éste se enfríe.
22. No haga funcionar este aparato bajo condiciones de viento fuerte. La velocidad máxima permitida del viento es de 16 km/h (10 mph).
23. No haga funcionar este aparato en condiciones de temperatura por debajo de los 5 °C (40 °F).
24. Mantenga el calentador alejado de áreas en donde se usen o se almacenen líquidos, vapores o sólidos inflamables.
25. Si se hace funcionar en entornos con aire saturado de aire, será necesario limpiar la unidad con mayor frecuencia. De lo contrario, la vida útil de la unidad se deteriorará rápidamente. Use agua jabonosa tibia para limpiar la unidad.
26. Los artículos o materiales que se coloquen bajo el calentador estarán sometidos a radiaciones de calor y pueden resultar seriamente dañados.

**Todas las protecciones u otros dispositivos de seguridad que se hayan retirado para dar servicio al calentador se deberán volver a colocar antes de operarlo.**

**La temperatura de las superficies puede llegar a ser muy alta cuando el calentador está funcionando. Los niños y los adultos deben permanecer lejos del calentador para evitar quemaduras o que la ropa se encienda.**

**Se debe supervisar a los niños pequeños cuidadosamente cuando estén en el área donde se encuentra el calentador.**

**No se debe colgar ropa ni otros materiales inflamables en el calentador, ni se deben colocar cerca del mismo.**

# SEGURIDAD

## Continuación

La instalación y las reparaciones deben ser realizadas por una persona de servicio calificada. El calentador debe ser inspeccionado por una persona de servicio calificada antes de usarse y por lo menos una vez al año. Es posible que se requiera limpiarlo más frecuentemente, según sea necesario. Es imprescindible mantener limpios los compartimientos, los quemadores y los conductos de circulación de aire del calentador.

**⚠ PRECAUCIÓN:** se debe usar el regulador de presión de gas incluido con este aparato. Este regulador está configurado para una presión de salida de 2.74 kPa (11" de c.a.).

## SEGURIDAD DEL PROPANO O GAS LP

**⚠ ADVERTENCIA:** para uso en exteriores solamente.

### PELIGRO DE ASFIXIA

- No utilice este calentador en viviendas ocupadas por personas o animales.
- No se use en áreas sin ventilación.
- No debe obstruirse el flujo del aire de ventilación y de combustión.
- Se debe tener la ventilación adecuada de aire para cumplir con los requisitos de aire para combustión del calentador que se esté usando.

- Consulte la sección *Especificaciones*, en la página 2, la placa de datos del calentador o comuníquese con DESA Heating, LLC para determinar los requisitos de ventilación de aire para combustión del calentador.
- La falta de ventilación adecuada de aire producirá una combustión incorrecta.
- La combustión incorrecta puede provocar envenenamiento por monóxido de carbono que conduzca a lesiones graves o a la muerte. Los síntomas de envenenamiento por monóxido de carbono pueden incluir dolores de cabeza, mareos y dificultad para respirar.

## DESEMPAQUE DEL CALENTADOR

1. Extraiga con cuidado el material de empaque de la caja.
2. Extraiga con cuidado los componentes del calentador de la caja. Inspeccione las piezas en busca de posibles daños durante el transporte. Si encuentra alguno, notifique inmediatamente al distribuidor.
3. Compruebe que todos los componentes vengán incluidos con el calentador (consulte las páginas 14 y 15).

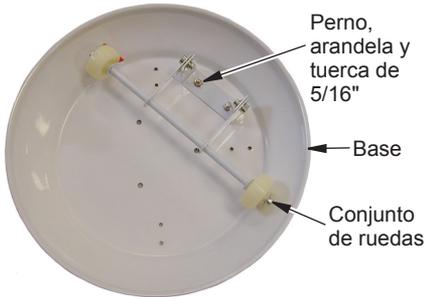
## ENSAMBLE

### Herramientas necesarias:

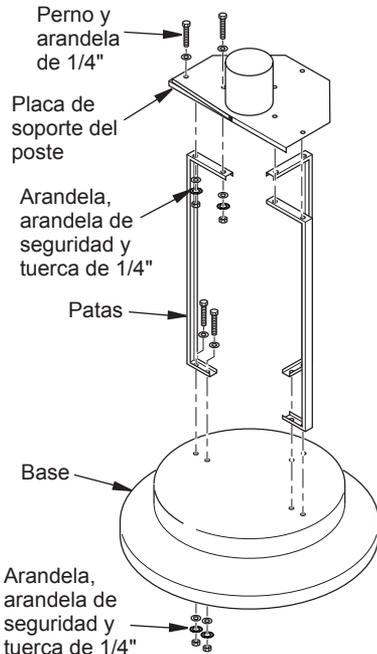
- 1) Destornillador tipo Phillips n° 2
- 2) Llaves inglesas ajustables

El paquete de tornillería que se incluye con el calentador podría incluir más piezas que las necesarias para ensamblar el calentador.

1. Una el conjunto de ruedas a la base con dos pernos de 5/16", dos arandelas de 5/16" y dos tuercas de 5/16" (consulte la figura 1).
2. Una las patas a la base con dos pernos de 1/4", cuatro arandelas de 1/4", dos arandelas de seguridad de 1/4" y dos



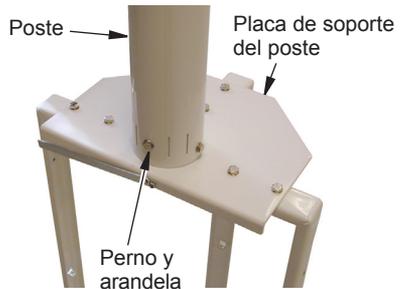
**Figura 1 - Instalación de las ruedas a la base**



**Figura 2 - Conjunto de la base**

tuercas de 1/4" por pata (consulte la figura 2). Coloque la arandela en el perno y en la parte superior de la base. Coloque la arandela, la arandela de seguridad y la tuerca desde la parte inferior de la base. Apriete sólo con los dedos. Repita la operación para cada perno y pata. **No apriete las tuercas totalmente sino hasta el paso siguiente.**

3. Asegure la base de poste a las patas con dos pernos de 1/4", cuatro arandelas de 1/4", dos arandelas de seguridad de 1/4" y dos tuercas de 1/4" por pata (consulte la figura 2). Repita la operación para cada pata. Apriete usando una llave las tuercas y pernos de los pasos 1 y 2.



**Figura 3 - Poste sobre la placa de soporte**



**Figura 4 - Instalación de la cubierta posterior**

# ENSAMBLE

## Continuación

4. Retire los 4 pernos y arandelas de la placa de soporte del poste (consulte la figura 3, página 6). Coloque el poste sobre la placa de soporte del mismo. Vuelva a colocar y apriete los 4 pernos y arandelas.
5. Fije nuevamente la cubierta posterior con cuatro tornillos de cabeza tipo Phillips de 1/4" según se muestra en la figura 4, página 6.
6. Instale la puerta del tanque colocando los cortes laterales en los tornillos que se instalaron en el paso 5 (consulte la figura 5).
7. Deslice la tapa del cilindro de propano o gas LP hacia abajo a través del poste para que cubra la placa de soporte del mismo (consulte la figura 6). Compruebe que la tapa del cilindro de propano o gas LP asiente bien nivelada sobre la base.  
*Nota: la placa de soporte del poste tiene una tapa que puede levantarse cuando sea necesario cambiar el cilindro de propano o gas LP.*
8. Quite los 4 tornillos que se encuentran en la parte inferior del emisor. Coloque el conjunto de quemador sobre el emisor y alinee los orificios. Vuelva a colocar los tornillos. Consulte las figuras 7 y 8.



**Figura 5 - Instalación de la puerta de tanque**



**Figura 6 - Instalación de la tapa del cilindro**



**Figura 7 - Cómo colocar el conjunto del quemador en el emisor**



**Figura 8 - Instalación del conjunto del quemador y emisor**

# ENSAMBLE

## Continuación

9. Enrosque el tubo múltiple a la parte inferior del conjunto de quemador (consulte la figura 9). Apriete con las llaves (consulte la figura 10).
10. Conecte temporalmente la manguera y el regulador al tubo múltiple. Conecte la manguera y el regulador a un cilindro de propano de 9 kg (20 lb).

### ¡NO ENCIENDA EL CALENTADOR!

Abra la válvula del cilindro de propano. Haga pruebas de detección de fugas en el conjunto de quemador y en la conexión del tubo múltiple con un líquido no corrosivo para detección de fugas. **NO USE UNALLAMA.** Consulte Revisión de fugas, en la página 9. Cuando no haya señales de fugas, cierre la válvula del cilindro de propano o gas LP y desconecte el regulador del cilindro de propano o gas LP. Afloje lentamente la conexión entre el tubo múltiple y el conjunto de regulador y manguera. Se escapará el gas propano acumulado en la manguera.



Figura 9 - Instalación del tubo múltiple en el conjunto del quemador



Figura 10 - Cómo apretar el tubo múltiple y el conjunto del quemador

11. Retire los pernos del conjunto del quemador. Incline con cuidado el conjunto de poste y base e inserte el conjunto de quemador y tubo múltiple a través del poste (consulte la figura 11). Vuelva a colocar los pernos.
12. Retire la película azul de la parte superior del domo. El domo se fija al conjunto del quemador con tres tuercas de 5/16" y seis arandelas de 5/16". Coloque 1 arandela en cada punta roscada del conjunto del quemador. Coloque el domo sobre las puntas. Coloque 3 arandelas y tuercas en las puntas. Consulte la figura 12.

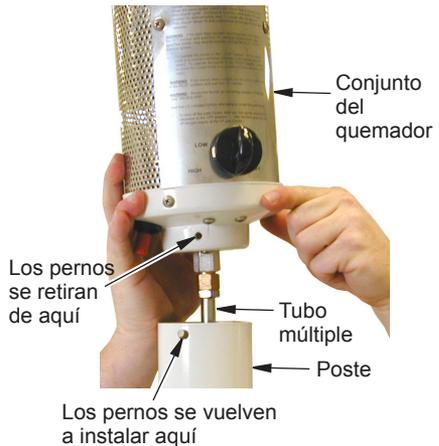


Figura 11 - Deslizamiento del tubo múltiple y el conjunto del quemador en el poste



Figura 12 - Instalación del domo en el conjunto del quemador

## ENSAMBLE

### Continuación

13. Retire la puerta de tanque. Apriete con una llave el conjunto de manguera y regulador al tubo múltiple según se muestra en la figura 13. Revise las conexiones en busca de fugas de gas (consulte Revisión de fugas).

*Nota: asegúrese que el conjunto de manguera y regulador unidos al tubo múltiple nunca se doblen o se curven durante la instalación y operación del calentador.*

Soporte de la tapa



**Figura 13 - Instalación del conjunto de manguera y regulador**

14. Coloque el tanque de propano o gas LP en la parte superior de la base. Conecte el regulador.
15. Instale la cadena de seguridad del tanque propano alrededor del mismo y a través de las aberturas en las patas, según se muestra en la figura 14.
16. Vuelva a instalar la puerta.



**Figura 14 - Tanque de propano y cadena de seguridad**

## REVISIÓN DE FUGAS

**IMPORTANTE:** es necesario realizar pruebas de detección de fugas en el calentador antes de proseguir con el ensamble. Use únicamente líquidos no corrosivos para detección de fugas. **NO USE UNA LLAMA.**

Gire la perilla de control a la posición de apagado. Conecte de manera segura el regulador al cilindro de propano o gas LP. Abra la válvula del cilindro de propano o gas LP. Aplique un líquido no corrosivo para detección de fugas a las conexiones del tubo múltiple y el regulador. La formación de burbujas indicará

una fuga. Si hay fugas, cierre la válvula del cilindro de propano o gas LP, retire el tubo múltiple, revise y limpie la conexión. Vuelva a conectar el tubo múltiple y revise nuevamente si hay fugas.

Cuando termine la revisión y no haya señales de fugas, cierre la válvula del cilindro de propano o gas LP y desconecte el regulador del cilindro de propano o gas LP. Retire el cilindro de propano o gas LP y continúe con el paso siguiente.

## UBICACIÓN DEL CALENTADOR

**⚠ ADVERTENCIA: no mueva el calentador cuando esté encendido. Permita que el calentador se enfríe antes de moverlo.**

1. Ubique la etiqueta de las ruedas plegables en la base del calentador (consulte la figura 15).



*Figura 15 - Ruedas plegables*

2. Haciendo que el calentador se sostenga sobre el lado de la etiqueta, inclínelo con cuidado alejándolo de usted para tener acceso a las ruedas debajo de la base.
3. Saque las ruedas debajo de la base para cambiarlo de ubicación.
4. Vuelva a colocar las ruedas debajo de la base después de colocar el calentador en el lugar deseado.



*Figura 16 - Ubicación del calentador*

## FUNCIONAMIENTO

**⚠ ADVERTENCIA: si percibe olor a gas:**

- Cierre el suministro de gas al aparato.
- Extinga cualquier llama al descubierto.
- Si el olor continúa, llame inmediatamente a su proveedor de gas.

**Para obtener más información, consulte las precauciones y advertencias de seguridad comenzando en la página inicial de este manual.**

### PREPARACIÓN PARA LA OPERACIÓN

1. Revise el calentador en busca de posibles daños sufridos durante el transporte. Si encuentra alguno, notifique inmediatamente al distribuidor.
2. Observe toda la información de seguridad, comenzando en la página 2.
3. Compruebe que la perilla de control esté en la posición de apagado.
4. Coloque el cilindro de propano o gas LP en el interior de la base para cilindros. Conecte de manera segura el regulador al cilindro de propano o gas LP.
5. Abra la válvula del cilindro. Aplique un líquido no corrosivo para detección de fugas a la conexión del regulador y el cilindro. La formación de burbujas indicará una fuga.

# FUNCIONAMIENTO

## Continuación

- Si encuentra alguna fuga, cierre la válvula del cilindro de propano o gas LP y retire la conexión que tiene fuga. Revise y limpie la conexión. Vuelva a conectar el regulador y revise nuevamente si hay fugas.

**IMPORTANTE:** en las nuevas instalaciones o cambios de rutina del cilindro de gas. Se debe purgar el aire del sistema antes de cada uso. Gire la perilla de control a la posición de apagado. Presione y mantenga presionada la perilla durante 30 ó 40 segundos antes de tratar de encender el piloto.

### PARA ENCENDER

- Cierre la válvula principal de suministro de gas en el cilindro de gas propano. Coloque la perilla de control en la posición de apagado. Espere 5 minutos.
- Abra la válvula principal de suministro de gas en el cilindro de gas propano.
- Gire la perilla de control del calentador a la posición de piloto. Presione y manténgala presionada durante 5 segundos. Presione el botón del encendedor hasta que el piloto se encienda. Mantenga presionada la válvula de control del calentador durante 30 segundos y luego suéltela.

**⚠ PRECAUCIÓN:** no trate de deslizar la cubierta de mirilla cuando el quemador principal se esté encendiendo, esté funcionando o esté caliente.

- PARA ENCENDER EL PILOTO CON UN FÓSFORO:** gire la cubierta de mirilla de encendido con fósforo. Aplique la llama al quemador del piloto mientras mantiene presionada la perilla por 20 segundos o hasta que el piloto permanezca encendido cuando se suelte la perilla.
- La perilla ya puede ser colocada en la posición de encendido.

**IMPORTANTE:** es posible que se produzcan emisiones de humo y olor (no olor a gas) dentro de los primeros 30 minutos de uso. Haga funcionar el calentador a una temperatura alta durante al menos 30 minutos para eliminar este problema.

**⚠ ADVERTENCIA:** si percibe olor a gas mientras el quemador está en uso, inmediatamente presione y gire la perilla a la posición de apagado para apagar el calentador.

### PARA APAGAR

- Gire la perilla de control a la posición de apagado.
- Cierre el suministro principal de gas.
- Espere 5 minutos antes de volver a encender el calentador.



**Figura 17 - Controles, mirilla y cubierta del calentador**

## ALMACENAMIENTO

1. Permita que el calentador se enfríe durante al menos 45 minutos después de usarlo.
2. Guarde el calentador en posición vertical en una área cubierta y lejos de las inclemencias del tiempo y del polvo.
3. Si así lo desea, cubra el calentador después de que éste se haya enfriado.
4. Si el calentador no se va a usar por un periodo prolongado de tiempo, desconecte y retire el cilindro de propano o gas LP y guárdelo conforme a la *Norma para almacenamiento y manejo de gas licuado de petróleo, ANSI/INFPA 58*.

## MANTENIMIENTO

Para garantizar la seguridad, el funcionamiento correcto y la durabilidad del calentador, es necesario que tenga mantenimiento con regularidad. La frecuencia del mantenimiento dependerá del uso de la unidad. Revise la siguiente información relacionada con los criterios para un funcionamiento correcto del calentador. Si no aplica el mantenimiento correcto y con regularidad, la garantía quedará anulada.

Si usa un calentador que ha sido modificado o que no funciona correctamente, pueden producirse condiciones de peligro. Cuando el calentador funciona correctamente:

- La llama se mantiene dentro del calentador.
- La llama es esencialmente azul, tal vez con algo de amarillo en las puntas.
- No hay olores fuertes ni desagradables, ni ardor de ojos ni otras incomodidades físicas.

- No hay humo ni hollín en el interior o exterior del calentador.
- El calentador no se apaga de manera inesperada o inexplicable.

La lista de piezas muestra el calentador tal como fue construido. No use un calentador que sea distinto al que aquí se muestra. A este respecto, use únicamente la manguera, regulador y conexión del cilindro (conocido como conexión de rosca invertida) que se incluye con el calentador.

**IMPORTANTE:** no use accesorios alternativos. Para este calentador, el regulador se debe instalar como se muestra en la sección Especificaciones, en la página 2. Si hay incertidumbre respecto a la configuración del regulador, llame a un técnico de servicio capacitado para que lo revise.

## PIEZAS DE REPUESTO



**ADVERTENCIA:** use sólo piezas de repuesto originales. Este calentador debe usar piezas diseñadas específicamente. No las sustituya ni use piezas genéricas. El uso de piezas de repuesto inadecuadas puede ocasionar lesiones graves o fatales. Esto también protegerá la cobertura de su garantía para piezas reemplazadas con garantía.

### PIEZAS CON GARANTÍA

Comuníquese con los distribuidores autorizados de este producto. Si ellos no pueden suministrar las piezas de repuesto originales, comuníquese con la central de piezas más cercana o llame de DESA Heating, LLC al 1-866-672-6040.

Cuando llame a DESA Heating, LLC tenga listo:

- su nombre,
- su dirección
- el número del modelo de su calentador
- la falla del calentador,
- la fecha de compra

### PIEZAS SIN GARANTÍA

Comuníquese con los distribuidores autorizados de este producto. Si ellos no pueden proveer piezas de repuesto originales, comuníquese con la central de piezas más cercana (que aparece en el folleto de centros de servicio autorizados), o bien, llame a DESA Heating, LLC al 1-866-672-6040 para obtener información de referencia.

Cuando llame a DESA Heating, LLC tenga listo:

- el número del modelo de su calentador
- número de la pieza de repuesto.

## SERVICIO TÉCNICO

Los calentadores que no funcionen correctamente deben ser reparados, pero únicamente por un técnico de servicio capacitado y con experiencia. Para localizar el centro de servicio más cercano, o si tiene más preguntas sobre este calentador, comuníquese con de DESA Heating, LLC al 1-866-672-6040. Al llamar, tenga la mano los números de modelo y serie de su calentador.

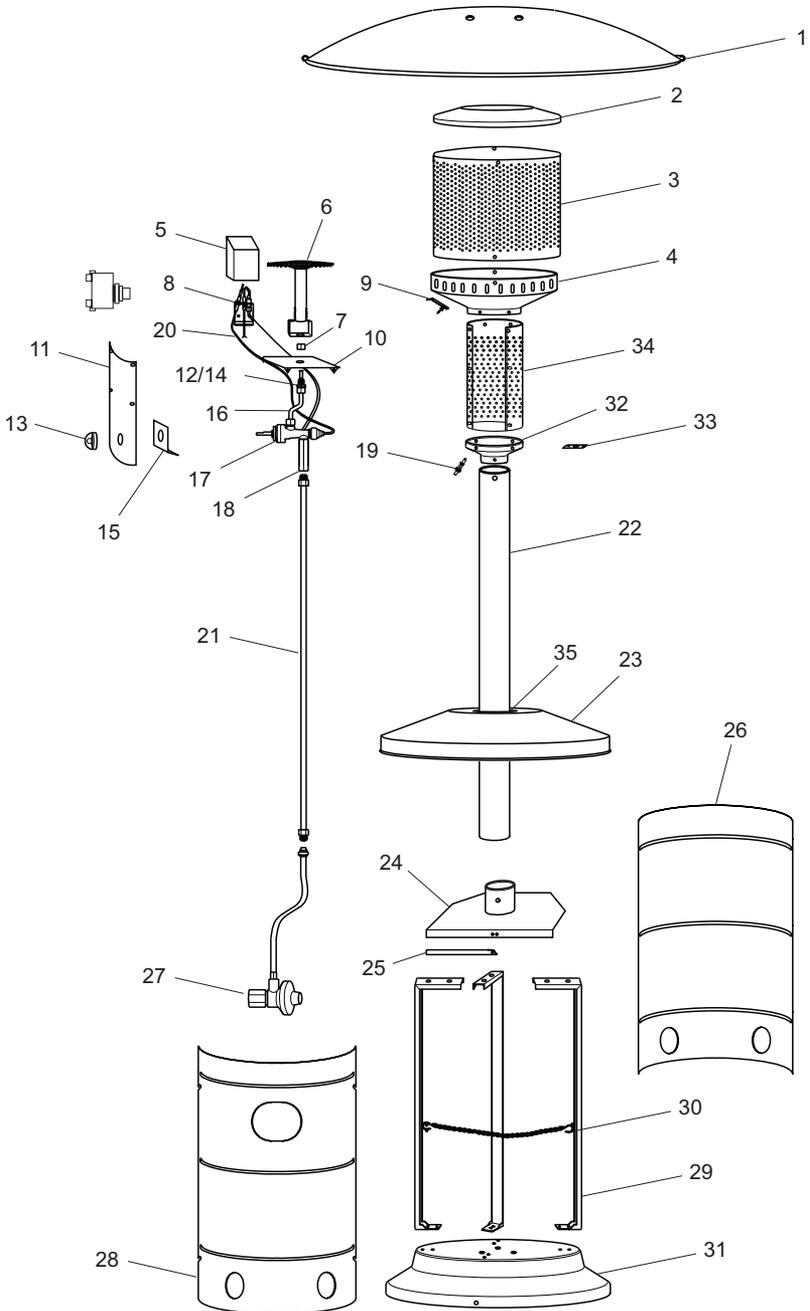
También puede visitar el sitio web de DESA Heating, LLC en **[www.desatech.com](http://www.desatech.com)**.

También puede obtener servicio bajo garantía o fuera de garantía si lleva el producto al centro de servicio local.

# PIEZAS

## MODELOS

TD125, TD126, TD127, TD128



## PIEZAS

Esta lista contiene las piezas reemplazables utilizadas en el calentador. Al hacer un pedido de piezas, siga las instrucciones listadas en Piezas de repuesto en la página 13 de este manual.

N°	N° DE PARTE	DESCRIPCIÓN	TD125	TD126	TD127	TD128	CANT.
1	V01-001	Domo	•	•	•	•	1
2	V01-002	Tapa del emisor	•	•	•	•	1
3	V01-003	Emisor	•	•	•	•	1
4	V01-005	Parte inferior del emisor	•	•	•	•	1
5	V01-008	Cubierta del piloto	•	•	•	•	1
6	V01-004	Quemador principal	•	•	•	•	1
7	V01-028	Tuerca de cobre	•	•	•	•	1
8	V01-007	Conjunto de quemador del piloto	•	•	•	•	1
9	V01-006	Cubierta de mirilla	•	•	•	•	1
10	V01-011	Panel de aislamiento	•	•	•	•	1
11	V01-009	Panel de carátula (funcionamiento en inglés)	•	•	•	•	1
12	V01-026	Boquilla principal	•	•	•	•	1
13	V01-034	Perilla	•	•	•	•	1
14	V01-027	Conector de boquilla	•	•	•	•	1
15	V01-012	Soporte de válvula	•	•	•	•	1
16	V01-029	Línea de gas del quemador principal	•	•	•	•	1
17	V01-037	Conjunto de la válvula	•	•	•	•	1
18	V01-030	Tubo de conector	•	•	•	•	1
19	V01-036	Encendedor manual	•	•	•	•	1
	V01-036E	Encendedor electrónico	•	•	•	•	1
20	V01-023	Línea del encendedor	•	•	•	•	1
21	V01-031	Línea de gas	•	•	•	•	1
22	V01-015	Poste	•	•	•	•	1
23	V01-017	Tapa del cilindro	•	•	•	•	1
24	V01-016	Soporte del poste	•	•	•	•	1
25	V01-022	Soporte de la tapa del cilindro	•	•	•	•	1
26	V01-019	Cubierta posterior	•	•	•	•	1
27	V01-045	Conjunto del regulador	•	•	•	•	1
28	V01-018	Puerta	•	•	•	•	1
29	V01-020	Patas	•	•	•	•	3
30	V01-032	Cadena	•	•	•	•	1
31	V01-021K	Kit de la base	•	•	•	•	1
32	V01-014	Parte inferior del chasis de la válvula	•	•	•	•	1
33	V01-013	Placa fija de la línea de gas	•	•	•	•	1
34	V01-010	Chasis de la válvula	•	•	•	•	1
35	V01-035	Empaque O-ring	•	•	•	•	1
<b>PIEZAS DISPONIBLES (NO SE MUESTRAN)</b>							
	NV02-08-00	Conjunto de ruedas	•	•	•	•	1
	121119-01	Paquete de tornillería	•	•	•	•	1
	114124-01	Etiqueta colgante, en inglés	•	•	•	•	1
	114124-02	Etiqueta colgante, en español	•	•	•	•	1
	114124-03	Etiqueta colgante, en francés	•	•	•	•	1
	114122-02	Etiqueta adhesiva de funcionamiento, en inglés	•	•	•	•	1
	114124-06	Etiqueta de funcionamiento, en español	•	•	•	•	1
	114124-07	Etiqueta de funcionamiento, en francés	•	•	•	•	1
	121420-01	Etiqueta de las ruedas	•	•	•	•	1

# **GARANTÍA**

## **GUARDE ESTA GARANTÍA**

N° de modelo (localizado en el producto o la etiqueta de identificación) \_\_\_\_\_

N° de serie (localizado en el producto o la etiqueta de identificación) \_\_\_\_\_

Fecha de compra \_\_\_\_\_

Conserve su recibo para verificación de la garantía.

### **GARANTÍA LIMITADA**

DESA Heating, LLC garantiza que este producto y todas sus piezas están libres de defectos en los materiales y en la mano de obra por un (1) año para uso residencial o por 90 días para uso comercial o industrial, a partir de la fecha de la primera compra, siempre y cuando se haya operado y mantenido de acuerdo con las instrucciones. Esta garantía se extiende solamente al comprador minorista original, cuando se proporciona un comprobante de compra.

Esta garantía sólo cubre el costo de las piezas y la mano de obra requeridas para restaurar el producto a una condición de operación correcta. Los costos de transporte e incidentales asociados con reparaciones bajo garantía no son reembolsables mediante la misma.

El servicio de garantía está disponible solamente mediante distribuidores y centros de servicio autorizados.

Esta garantía no cubre defectos ocasionados por mal uso, abuso, negligencia, accidentes, falta de mantenimiento adecuado, desgaste normal, alteración, modificación, manipulación, combustibles contaminados, reparación usando piezas inadecuadas o reparación realizada por cualquiera que no sea un distribuidor o centro de servicio autorizado. El mantenimiento de rutina es responsabilidad del propietario.

ESTA GARANTÍA EXPRESA SE OTORGA EN LUGAR DE CUALQUIER OTRA GARANTÍA, YA SEA EXPRESA O IMPLÍCITA, INCLUYENDO GARANTÍAS DE MERCANTIBILIDAD E IDONEIDAD PARA UN PROPÓSITO PARTICULAR.

DESA Heating, LCC no asume ninguna responsabilidad por daños indirectos, incidentales o consecuentes. Algunos estados no permiten la exclusión o limitación de daños incidentales o perjuicios, o es posible que las exclusiones no sean aplicables a usted. Esta Garantía limitada le otorga derechos legales específicos y posiblemente tenga otros derechos que varían de un estado a otro.

Esta garantía no cubre la decoloración debido al funcionamiento del calentador. La única garantía aplicable es nuestra garantía estándar por escrito. No otorgamos ninguna otra garantía, expresa o implícita.

### **SERVICIO DE GARANTÍA**

Si su calentador requiere servicio, regréselo al centro de servicio autorizado más cercano. Se debe presentar la prueba de compra junto con el calentador. El calentador será inspeccionado. Un defecto podría ser ocasionado por materiales o mano de obra defectuosos. Si es así, DESA Heating, LCC reparará o reemplazará el calentador sin ningún cargo.

### **SERVICIO DE REPARACIÓN**

Devuelva el calentador al centro de servicio autorizado más cercano. Cada centro de servicio tiene propietario y operación independientes. Las reparaciones no cubiertas por la garantía se cobrarán a precio estándar.

Para obtener información sobre esta garantía, escriba a:



DESA Heating, LLC  
2701 Industrial Drive  
P.O. Box 90004  
Bowling Green, KY 42102-9004, EE.UU.  
www.desatech.com  
1-866-672-6040

121117-01  
Rev. B  
08/07



**Chauffe-terrasse au  
propane ou au GPL  
Manuel d'utilisation**

**GAS FIRED**



**⚠ AVERTISSEMENT :**  
pour un usage à l'exté-  
rieur seulement.

**MODÈLES**

**TD125, TD126, TD127 ET TD128**



**IMPORTANT :** lisez et comprenez ce manuel avant d'as-  
sembler, d'allumer ou de réparer l'appareil de chauffage.  
Une mauvaise utilisation de l'appareil de chauffage peut  
causer des blessures graves. Conservez ce manuel  
pour consultation future.

### **POUR VOTRE PROTECTION**

N'entreposez pas et n'utilisez pas d'essence ou d'autres  
vapeurs et liquides inflammables à proximité de cet  
appareil ou de tout autre appareil.

### **POUR VOTRE PROTECTION**

Si une odeur de gaz se dégage :

- 1. Coupez l'approvisionnement en gaz à l'appareil.**
- 2. Éteignez toute flamme.**
- 3. Si l'odeur persiste, appelez immédiatement la  
compagnie de gaz.**

**Conservez ce manuel pour consultation future.**

**Pour plus de détails, visitez le site [www.desatech.com](http://www.desatech.com)**

Download from [www.Somanuals.com](http://www.Somanuals.com). All Manuals Search And Download.

**⚠ AVERTISSEMENT : une installation, un réglage, une modification, une réparation ou un entretien inapproprié peuvent causer des blessures, des dommages matériels ou la mort. Lisez complètement les instructions sur l'installation, l'utilisation et l'entretien avant d'installer ou de réparer cet appareil.**

## TABLE DES MATIÈRES

Caractéristiques.....	2	Fonctionnement.....	10
Sécurité.....	2	Entreposage.....	12
Sécurité des installations au propane ou au GPL.....	5	Entretien.....	12
Déballage de l'appareil de chauffage.....	5	Pièces de rechange.....	13
Assemblage.....	6	Service technique.....	13
Recherche de fuites.....	9	Pièces.....	14
Positionnement de l'appareil de chauffage.....	10	Garantie.....	Dos

## CARACTÉRISTIQUES

- Valeur nominale : 11,7 kW (40 000 BTU/h)
- Type de gaz : propane ou GPL uniquement
- Pression d'approvisionnement en gaz au niveau du régulateur : maximale, 1034,2 kPa (150 lb/po<sup>2</sup>); minimale, 34,5 kPa (5 lb/po<sup>2</sup>)
- Sortie du régulateur de pression d'approvisionnement en gaz : 2,74 kPa (11 po C.E.)
- Allumage : allumage électronique TD125, allumage manuel TD126, TD127, TD128
- Consommation de carburant : 0,9 kg/h (1,8 lb/h)
- Sécurité de flamme : vanne d'approvisionnement en gaz opérée par couple thermoélectrique

## SÉCURITÉ

**⚠ AVERTISSEMENT : cet appareil contient ou produit des produits chimiques déterminés par l'État de Californie comme cancérigènes et pouvant causer des malformations congénitales et d'autres troubles liés à la reproduction.**

**⚠ AVERTISSEMENT : cet appareil n'est pas conçu pour un usage domestique ou dans les véhicules de camping.**

**⚠ AVERTISSEMENT : danger de feu, de brûlure, d'inhalation et d'explosion. Gardez les produits combustibles solides, comme les matériaux de construction, le papier et les cartons, à une distance sûre de l'appareil de chauffage tel que recommandé dans la présente. N'utilisez jamais l'appareil de chauffage dans des espaces susceptibles de contenir des combustibles volatils ou atmosphériques ou des produits tels que de l'essence, des diluants, du solvant à peinture, des particules de poussières ou des produits chimiques inconnus.**

Nous ne pouvons pas prévoir toutes les utilisations possibles de nos appareils de chauffage. Vérifiez auprès de votre responsable local de la sécurité-incendie si vous

# SÉCURITÉ

## suite

avez des questions relatives à l'utilisation de cet appareil de chauffage.

D'autres normes régissent l'utilisation des gaz combustibles et des produits de chauffage pour des utilisations particulières. Les autorités locales peuvent vous conseiller à propos de ces normes.

**Empoisonnement au monoxyde de carbone** : à chauffage direct signifie que tous les produits de combustion entrent dans l'espace chauffé. Même si cet appareil de chauffage fonctionne à une efficacité de combustion très proche de 100 %, il produit tout de même de petites particules de monoxyde de carbone. Certaines personnes sont plus affectées par le monoxyde de carbone que d'autres. Les premiers symptômes d'un empoisonnement au monoxyde de carbone ressemblent à la grippe avec des maux de tête, des vertiges ou de la nausée. Si vous avez ces symptômes, il se pourrait que l'appareil de chauffage ne fonctionne pas bien. **Respirez tout de suite de l'air frais!** Vérifiez si la ventilation est suffisante et faites réviser l'appareil de chauffage.

**Gaz propane** : le gaz propane est inodore. Un produit odorant est ajouté au propane. Cette odeur vous permet de détecter une fuite de propane. Cependant, cette odeur ajoutée au propane peut se dissiper. Du propane peut être présent même s'il n'y a pas d'odeur.

Ceci est un appareil de chauffage au propane à chauffage direct. Le propane est plus lourd que l'air. S'il y a des fuites de propane venant d'un raccord ou d'une fixation, le propane s'accumule au niveau du sol, se propage dans l'air ambiant, formant un mélange potentiellement explosif. Évidemment, les fuites de propane doivent être évitées, donc installez l'approvisionnement en propane avec beaucoup de précaution. Voir *Sécurité des installations au propane ou au GPL*, page 5 pour des informations supplémentaires sur la détection de fuites de propane. Vérifiez s'il y a des fuites dans les nouveaux raccords ou les raccords existants avec un liquide de détection de fuite non corrosif et suivez toutes les instructions relatives aux raccords dans la présente. Demandez également des conseils à votre marchand de propane à propos de l'application et de l'installation de l'approvisionnement en propane et demandez-lui de le vérifier si vous avez des questions.

Lorsque l'appareil de chauffage doit fonctionner en présence d'autres personnes, l'utilisateur est responsable d'informer ces dernières des précautions et des instructions liées à la sécurité et de les avertir de dangers inhérents.

Lisez et comprenez tous les avertissements. Conservez ce manuel pour consultation future. Il vous permettra de faire fonctionner cet appareil de chauffage correctement et en toute sécurité.

1. **État du Massachusetts** : l'installation doit être effectuée par un plombier ou un monteur d'installations au gaz titulaire d'un permis dans le Commonwealth du Massachusetts.
2. Inspectez l'appareil de chauffage avec soin pour vérifier qu'il n'est pas endommagé. N'UTILISEZ PAS un appareil de chauffage endommagé.
3. NE MODIFIEZ PAS un appareil de chauffage et ne l'utilisez pas s'il n'est plus dans son état d'origine.
4. Utilisez uniquement du gaz propane ou gaz de pétrole liquéfié.
5. Utilisez uniquement l'approvisionnement en propane avec un PARE-VAPEUR. La bouteille de propane doit être arrangée de manière à utiliser un pare-vapeur, en conformité avec les directives d'*assemblage de petites bouteilles de gaz propane de la Compressed Gas Association*. Si vous avez des questions sur les pare-vapeur, contactez votre marchand de gaz propane.
6. Utilisez uniquement l'assemblage du tuyau et du régulateur fourni avec l'appareil de chauffage.
7. Inspectez l'assemblage du tuyau avant chaque utilisation de l'appareil de chauffage. En cas d'usure abrasive ou autre excessive, ou de coupure du tuyau, remplacez-le par un assemblage de tuyau mentionné dans la liste des pièces recommandées avant d'utiliser l'appareil de chauffage.
8. Cet appareil de chauffage est UNIQUEMENT pour un USAGE À L'EXTÉRIEUR. Assurez-vous que la ventilation de l'air extérieur est adéquate. N'utilisez pas l'appareil de chauffage dans des bâtiments, garages ou autres espaces clos.

# SÉCURITÉ

## suite

9. Si une odeur de gaz est détectée, ARRÊTEZ IMMÉDIATEMENT l'appareil de chauffage jusqu'à ce que la source d'émission du gaz ait été localisée ou colmatée. Voir Sécurité des installations au propane ou au GPL, page 5 pour des informations supplémentaires sur la détection de fuites de propane.
10. N'exposez pas l'appareil de chauffage aux éclaboussures, à la pluie et/ou aux gouttes d'eau.
11. Conservez un dégagement minimal avec les personnes et le matériau combustible normal (papier) de 91,44 cm (3 pi) à partir du dessus et de 60,96 cm (2 pi) à partir du réflecteur.
12. Utilisez l'appareil uniquement sur des surfaces stables et de niveau.
13. N'utilisez pas de bombe aérosol près de l'appareil de chauffage pendant ou juste après son utilisation.
14. Ne nettoyez pas l'appareil de chauffage avec des produits combustibles ou corrosifs. Utilisez un liquide de détection de fuite non corrosif.
15. Vérifiez que les brûleurs, les compartiments des commandes et les conduits d'air permettent une circulation libre de l'air. Assurez-vous qu'il n'y a pas d'obstructions. Ces endroits sont propices aux toiles d'araignée, ce qui peut présenter des risques, endommager l'appareil de chauffage et rendre son utilisation dangereuse. L'appareil de chauffage doit être vérifié si les conditions suivantes sont présentes :
  - a) Une odeur de gaz avec une formation de pointes jaunes prédominante dans le brûleur.
  - b) L'appareil de chauffage n'atteint pas la température désirée.
  - c) La flamme du brûleur est inégale.
  - d) Le brûleur émet des bruits secs lors d'un usage normal, sauf pendant l'arrêt.
16. Utilisez uniquement un liquide de détection de fuite non corrosif pour vérifier la présence de fuites quand une bouteille de propane est raccordée. Des bulles indiquent qu'il y a une fuite.
17. N'ajustez pas le régulateur de gaz. Si vous n'êtes pas certain du type de gaz ou de la pression de vos appareils électromécaniques, contactez un technicien qualifié.
18. Tournez le bouton de réglage jusqu'à la position ARRÊT quand l'appareil de chauffage n'est pas utilisé.
19. Débranchez toujours l'approvisionnement en gaz après l'arrêt de l'appareil de chauffage.
20. Ne déplacez pas l'appareil de chauffage, ne le manipulez pas et n'essayez pas d'en faire l'entretien lorsqu'il est chaud ou brûlant.
21. Laissez l'appareil de chauffage se refroidir pendant 45 minutes après son arrêt avant de le déplacer.
22. N'utilisez pas cet appareil dans des conditions venteuses. La vitesse de vent maximale permise est de 16 km/h (10 m/h).
23. N'utilisez pas cet appareil si les températures sont en-dessous de 5 °C (40 °F).
24. Gardez l'appareil de chauffage loin des endroits où des liquides, vapeurs et solides inflammables sont entreposés ou utilisés.
25. Si l'appareil fonctionne dans des environnements d'air salé, il a besoin d'être nettoyé plus fréquemment. Sinon, la longévité de l'appareil se détériorera rapidement. Utilisez de l'eau savonneuse tiède pour nettoyer l'appareil.
26. Les articles ou les matériaux entreposés sous l'appareil de chauffage sont soumis à la chaleur rayonnante et peuvent être gravement endommagés.

**Toute grille ou tout autre dispositif de protection enlevé pour effectuer une réparation doit être remis en place avant de faire fonctionner l'appareil de chauffage.**

**Les surfaces de l'appareil de chauffage deviennent brûlantes pendant son fonctionnement. Afin d'éviter de vous brûler et que vos vêtements ne prennent feu, tenez-vous à une bonne distance de l'appareil.**

# SÉCURITÉ

suite

Surveillez de près les jeunes enfants lorsqu'ils sont à proximité de l'appareil de chauffage.

Les vêtements et autres matériaux inflammables ne doivent pas être suspendus au-dessus de l'appareil de chauffage ou placés près ou sur de ce dernier.

L'installation et les réparations doivent être effectuées par du personnel qualifié. L'appareil de chauffage doit être inspecté par un technicien compétent avant d'être utilisé et au moins une fois l'an. Un nettoyage plus fréquent peut s'avérer nécessaire. Il est essentiel de garder propres les compartiments des commandes, les brûleurs ainsi que les conduits d'air de l'appareil de chauffage.

 **ATTENTION!** Utilisez le détendeur de pression de gaz fourni avec cet appareil. Ce régulateur est réglé pour une pression de sortie de 2,74 kPa (11 po C.E.).

## SÉCURITÉ DES INSTALLATIONS AU PROPANE OU AU GPL

 **AVERTISSEMENT :** pour un usage à l'extérieur seulement.

### RISQUE D'ASPHYXIE

- N'utilisez pas cet appareil pour chauffer les locaux où demeurent des gens ou des animaux.
- Ne l'utilisez pas dans des endroits non aérés.
- Le débit de chaleur et d'air de ventilation ne doit pas être obstrué.
- Un apport en air de ventilation adéquat doit être fourni pour se conformer aux exigences en air comburant de l'appareil de chauffage utilisé.

- Faites référence aux Caractéristiques de la page 2, à la plaque d'identification de l'appareil de chauffage ou contactez DESA Heating, LLC pour déterminer les exigences de ventilation d'air comburant de l'appareil de chauffage.
- Un manque d'air de ventilation peut causer une combustion inadéquate.
- Une combustion inadéquate peut résulter en un empoisonnement au monoxyde de carbone et des risques de blessures graves et de mort. Les symptômes de l'empoisonnement au monoxyde de carbone peuvent inclure des maux de tête, des étourdissements et des difficultés à respirer.

## DÉBALLAGE DE L'APPAREIL DE CHAUFFAGE

1. Retirez avec soin les matériaux d'emballage du carton.
2. Retirez avec soin les pièces de l'appareil de chauffage du carton. Inspectez les pièces pour vérifier que rien n'a été endommagé pendant l'expédition. S'il y a des dommages, contactez votre marchand immédiatement.
3. Vérifiez que toutes les pièces sont comprises avec votre appareil de chauffage (voir pages 14 et 15).

## ASSEMBLAGE

### Outils nécessaires :

- 1) Tournevis cruciforme n° 2
- 2) Clés à molette

Le sac de quincaillerie fourni avec l'appareil de chauffage peut contenir plus de pièces que nécessaire pour l'assemblage de l'appareil de chauffage.

1. Fixez l'assemblage des roues à la base en utilisant deux boulons de 8 mm (5/16 po), deux rondelles de 8 mm (5/16 po) et deux écrous de 8 mm (5/16 po) (voir figure 1).
2. Fixez les supports latéraux à la base en utilisant deux boulons de 63 mm (1/4 po), quatre rondelles de 63 mm (1/4 po), deux

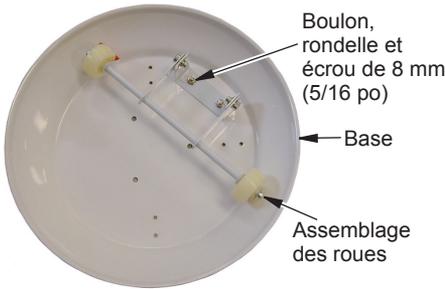


Figure 1 - Raccordement des roues à la base

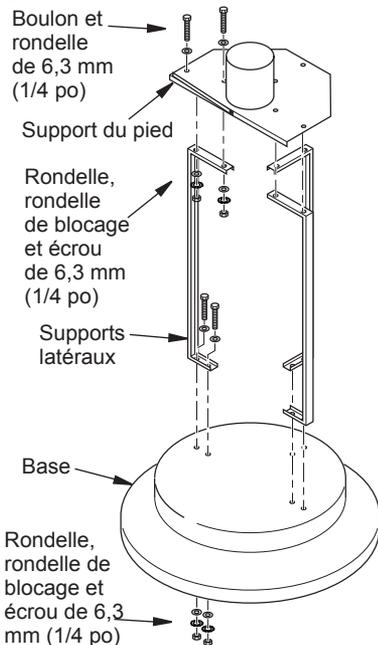


Figure 2 - Assemblage de la base

3. Fixez le support du pied aux supports latéraux en utilisant deux boulons de 63 mm (1/4 po), quatre rondelles de 63 mm (1/4 po), deux rondelles de blocage de 63 mm (1/4 po) et deux écrous de 63 mm (1/4 po) pour chaque support (voir figure 2). Répétez pour chaque support latéral. Avec une clé, serrez les écrous et les boulons des étapes 1 et 2. **Ne serrez à fond qu'à la prochaine étape.**

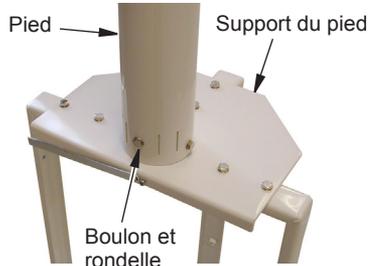


Figure 3 - Pied raccordé au support du pied



Figure 4 - Montage de l'habillage arrière

# ASSEMBLAGE

suite

- Retirez les 4 boulons et rondelles dans l'embase du support du pied (voir figure 3, page 6). Placez le pied sur l'embase du support du pied. Réinstallez et serrez les 4 boulons et rondelles.
- Fixez l'habillage arrière en utilisant quatre larges vis cruciformes de 6,3 mm (1/4 po) et quatre rondelles de 6,3 mm (1/4 po) comme illustré à la figure 4, page 6.
- Installez la porte du réservoir en plaçant les découpes dans les côtés sur les vis installées à l'étape 5 (voir figure 5).
- Abaissez la tête de la bouteille de propane/GPL le long du pied et contre le support du pied (voir figure 6). Assurez-vous que la tête de la bouteille de propane/GPL est de niveau sur la base.  
*Remarque : un support de couvercle est fourni sur le support du pied pour pouvoir soulever la tête lors du remplacement de la bouteille de propane/GPL.*
- Retirez les 4 vis qui se trouvent en-dessous de l'émetteur. Placez l'assemblage du brûleur sur l'émetteur et alignez les trous. Remettez les vis en place. Voir figures 7 et 8.



Figure 5 - Montage de la porte du réservoir

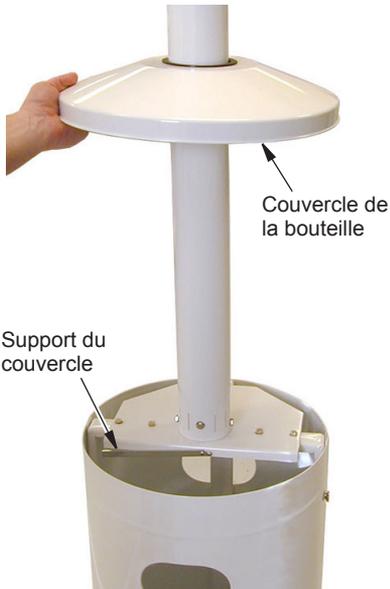


Figure 6 - Installation du couvercle de la bouteille

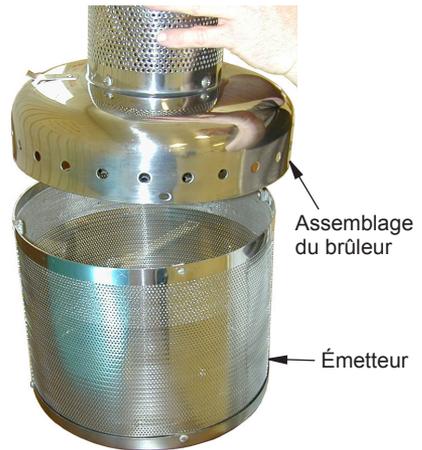


Figure 7 - Montage de l'assemblage du brûleur sur l'émetteur



Figure 8 - Montage de l'assemblage du brûleur et de l'émetteur

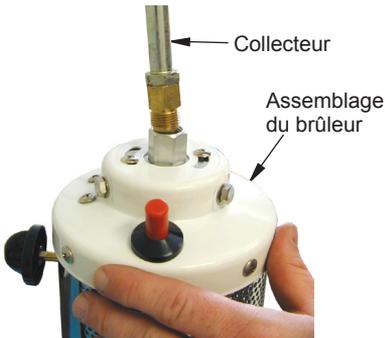
# ASSEMBLAGE

*suite*

9. Taraudez le collecteur dans la base de l'assemblage du brûleur (voir figure 9). Serrez avec les clés (voir figure 10.)
10. Raccordez provisoirement le tuyau et le régulateur au collecteur. Raccordez le tuyau et le régulateur à une bouteille de propane de 9 kg (20 lb).

## N'ALLUMEZ PAS L'APPAREIL DE CHAUFFAGE!

Ouvrez la vanne de la bouteille de propane. Vérifiez la présence de fuites dans le raccord de l'assemblage du brûleur et du collecteur en utilisant un liquide de détection de fuite non corrosif. N'UTILISEZ PAS DE FLAMME. Voir Recherche de fuites, page 9. S'il n'y a pas de signe de fuite, fermez la vanne de la bouteille de propane/GPL et déconnectez le régulateur de la bouteille de propane/GPL. Desserrez lentement le raccord entre le collecteur et l'assemblage du tuyau et du régulateur. Le gaz propane qui reste dans le tuyau s'échappera.

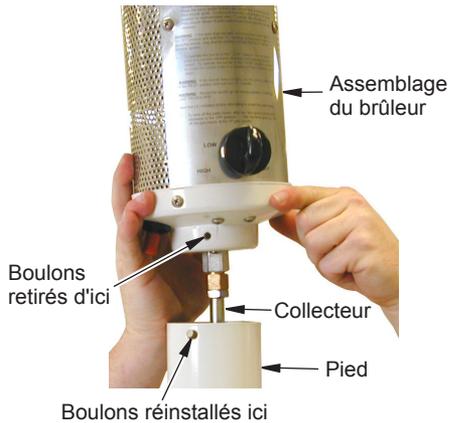


**Figure 9 - Montage du collecteur et de l'assemblage du brûleur**



**Figure 10 - Serrage du collecteur et de l'assemblage du brûleur**

11. Retirez les boulons de l'assemblage du brûleur. Retournez avec soin l'assemblage de la base et du pied et insérez le collecteur et l'assemblage du brûleur dans le pied (voir figure 11). Remettez les boulons en place.
12. Retirez le film bleu situé sur le dôme. Le dôme se monte sur l'assemblage du brûleur avec trois écrous de 8 mm (5/16 po) et six rondelles de 8 mm (5/16 po). Placez 1 rondelle sur chaque goujon fileté de l'assemblage du brûleur. Placez le dôme sur les goujons. Installez 3 rondelles et écrous sur les goujons. Voir figure 12.



**Figure 11 - Insertion du collecteur et de l'assemblage du brûleur dans le pied**



**Figure 12 - Raccordement du dôme à l'assemblage du brûleur**

## ASSEMBLAGE

*suite*

13. Retirez la porte du réservoir. Serrez avec une clé l'assemblage du régulateur et du tuyau sur le collecteur comme illustré à la figure 13. Vérifiez qu'il n'y a pas de fuite de gaz au niveau des raccords (voir Recherche de fuites).

*Remarque : assurez-vous que l'assemblage du tuyau et du régulateur raccordé au collecteur n'a pas été courbé ou tordu pendant l'installation et le fonctionnement de l'appareil de chauffage.*



**Figure 13 - Montage de l'assemblage du régulateur et du tuyau**

14. Placez la bouteille de propane/GPL sur la base. Fixez le régulateur.
15. Installez la chaîne de sécurité de la bouteille de propane autour de la bouteille et dans les ouvertures des supports latéraux comme illustré à la figure 14.
16. Réinstallez la porte.



**Figure 14 - Bouteille de propane et chaîne de sécurité**

## RECHERCHE DE FUITES

**IMPORTANT :** vérifiez qu'il n'y a pas de fuite avant de continuer tout autre assemblage. Utilisez uniquement un liquide de détection de fuite non corrosif. **N'UTILISEZ PAS DE FLAMME.**

Tournez le bouton de réglage jusqu'à la position ARRÊT. Raccordez fermement le régulateur à la bouteille de propane/GPL. Ouvrez la vanne de la bouteille de propane. Appliquez un liquide de détection de fuite non corrosif aux raccords du collecteur et du régulateur. La

présence de bulles indique une fuite. En cas de fuites, fermez la vanne de la bouteille de propane/GPL, retirez le collecteur, vérifiez et nettoyez le raccord. Raccordez le collecteur et vérifiez à niveau la présence de fuites.

Une fois la vérification effectuée et s'il n'y a pas de signe de fuite, fermez la vanne de la bouteille de propane/GPL et débranchez le régulateur de la bouteille de propane/GPL. Retirez la bouteille de propane/GPL et passez à l'étape suivante.

## POSITIONNEMENT DE L'APPAREIL DE CHAUFFAGE

**⚠ AVERTISSEMENT : ne déplacez pas l'appareil de chauffage quand il est allumé. Laissez-le d'abord se refroidir.**

1. Repérez l'étiquette des roues rétractables sur la base de l'appareil de chauffage (voir figure 15).



Figure 15 - Roues rétractables

2. En vous tenant du côté où se trouve l'étiquette, inclinez l'appareil de chauffage de manière à avoir accès aux roues qui se trouvent dans la partie inférieure de la base.
3. Dégagez les roues de la base afin de déplacer l'appareil de chauffage.
4. Une fois l'appareil de chauffage positionné à l'endroit désiré, réinsérez les roues dans la base.



Figure 16 - Positionnement de l'appareil de chauffage

## FONCTIONNEMENT

**⚠ AVERTISSEMENT : si vous sentez une odeur de gaz :**

- Coupez l'approvisionnement en gaz à l'appareil.
- Éteignez toute flamme nue.
- Si l'odeur persiste, appelez immédiatement la compagnie de gaz.

**Consultez les consignes et les précautions de sécurité à la première page de ce guide pour plus d'informations.**

### PRÉPARATION AU FONCTIONNEMENT

1. Inspectez l'appareil de chauffage pour vérifier que rien n'a été endommagé pendant l'expédition. S'il y a des dommages, contactez votre marchand immédiatement.
2. Suivez toutes les informations relatives à la sécurité de la page 2.
3. Vérifiez et assurez-vous que le bouton de réglage est en position ARRÊT.
4. Placez la bouteille de propane/GPL dans la base de la bouteille. Raccordez fermement le régulateur à la bouteille de propane/GPL.
5. Ouvrez la vanne de la bouteille. Appliquez un liquide de détection de fuite non corrosif au raccord du régulateur et de la bouteille. La présence de bulles indique une fuite.

# FONCTIONNEMENT

suite

6. En cas de fuites, fermez la vanne de la bouteille de propane/GPL et démontez le raccord de la fuite. Vérifiez et nettoyez le raccord. Raccordez le régulateur et vérifiez à niveau la présence de fuites.

**IMPORTANT** : pour des nouvelles installations ou des remplacements de bouteilles de gaz routiniers. Le système doit être purgé d'air avant toute utilisation. Tournez le bouton de réglage jusqu'à la position veilleuse. Appuyez sur le bouton pendant 30 à 40 secondes avant d'essayer d'allumer la veilleuse.

## POUR ALLUMER

1. Coupez la vanne d'approvisionnement en gaz de la bouteille de propane. Tournez le bouton de réglage jusqu'à la position ARRÊT. Patientez pendant 5 minutes.
2. Ouvrez la vanne d'approvisionnement en gaz de la bouteille de propane.
3. Tournez le bouton de réglage de l'appareil de chauffage jusqu'à la position VEILLEUSE. Appuyez pendant 5 secondes. Appuyez sur le bouton d'allumage jusqu'à ce que la veilleuse s'allume. Continuez à tenir la vanne de contrôle de l'appareil de chauffage pendant 30 secondes, puis relâchez-la.

**⚠ ATTENTION! N'essayez pas de déplacer l'obturateur du judas quand le brûleur principal s'allume, fonctionne ou est brûlant.**

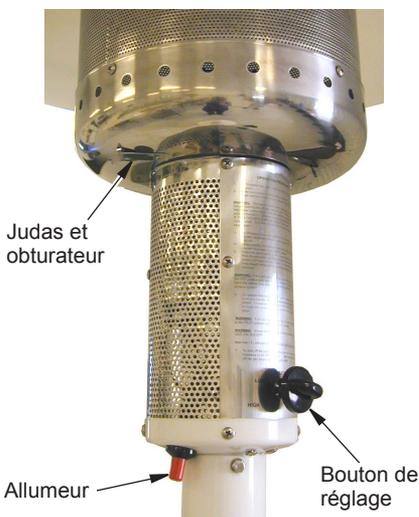
4. **POUR ALLUMER LA VEILLEUSE AVEC UNE ALLUMETTE** : tournez l'obturateur du trou d'allumage par allumette. Appliquez la flamme au brûleur de la veilleuse pendant que vous appuyez sur le bouton pendant 20 secondes ou jusqu'à ce que la veilleuse reste allumée quand le bouton est relâché.
5. Le bouton peut maintenant être tourné jusqu'à la position MARCHÉ.

**IMPORTANT** : des émissions de fumée et d'odeur (non pas une odeur de gaz) peuvent de produire dans les premières 30 minutes d'utilisation. Faites fonctionner l'appareil de chauffage à une haute température pendant au moins 30 minutes pour éliminer ce problème.

**⚠ AVERTISSEMENT** : si vous sentez une odeur de gaz pendant son utilisation, appuyez immédiatement sur le bouton de réglage et tournez-le jusqu'à la position ARRÊT pour arrêter l'appareil de chauffage.

## POUR ARRÊTER

1. Tournez le bouton de réglage jusqu'à la position ARRÊT.
2. Coupez l'approvisionnement en gaz principal.
3. Attendez pendant 5 minutes avant de rallumer l'appareil de chauffage.



**Figure 17 - Commandes de l'appareil de chauffage, judas et obturateur**

## ENTREPOSAGE

1. Laissez l'appareil de chauffage se refroidir pendant au moins 45 minutes après son arrêt.
2. Entreposez l'appareil de chauffage à la verticale dans un endroit à l'abri des intempéries et des poussières.
3. Le cas échéant, mettez une housse sur l'appareil de chauffage après qu'il ait refroidi.
4. Si l'appareil de chauffage n'est pas utilisé pendant une longue période de temps, débranchez et retirez la bouteille de propane/GPL et entreposez-la en conformité avec la *norme pour l'emmagasiner et la manipulation des gaz de pétrole liquéfiés ANSI/INFA 58*.

## ENTRETIEN

Pour assurer un fonctionnement correct et sécurisé et une longévité de l'appareil de chauffage, un entretien régulier est requis. La fréquence de l'entretien dépend de l'utilisation de l'appareil. Considérez les critères de fonctionnement correct de l'appareil de chauffage. Un manque d'entretien correct et régulier annule la garantie.

Un appareil de chauffage qui a été modifié ou qui ne fonctionne pas correctement présente des dangers. Lorsque l'appareil de chauffage fonctionne correctement :

- La flamme reste dans l'appareil de chauffage.
- La flamme a une teinte bleue avec peut-être une formation de pointes jaunes.
- Il n'y a pas de forte odeur désagréable, pas de sensation de brûlure aux yeux, ni de malaise physique général.

- Il n'y a pas de présence de fumée ni de suie à l'intérieur ou à l'extérieur de l'appareil de chauffage.
- Il ne se produit pas d'arrêts imprévus ou inexplicables de l'appareil de chauffage.

La liste des pièces illustre la composition détaillée de l'appareil de chauffage. N'utilisez pas un appareil de chauffage qui diffère de celui qui est illustré. N'utilisez à cet effet que le tuyau, le régulateur et la fixation du raccord de la bouteille (appelée fixation PP) fournis avec l'appareil de chauffage. **IMPORTANT** : n'utilisez aucun élément de substitution. Sur cet appareil de chauffage, le régulateur doit être réglé tel illustré dans la section Caractéristiques, page 2. Si vous avez un doute au sujet du réglage du régulateur, faites-le vérifier par un technicien qualifié.

## PIÈCES DE RECHANGE

**⚠ AVERTISSEMENT: n'utilisez que des pièces de rechange d'origine. Cet appareil de chauffage utilise des pièces conçues spécifiquement pour lui. N'utilisez pas de substituts ou de pièces génériques. L'utilisation de pièces de rechange inadéquates peut causer des blessures graves ou fatales. Ceci protégera également la garantie des pièces remplacées sous garantie.**

### PIÈCES SOUS GARANTIE

Communiquez avec des vendeurs autorisés de ce produit. S'ils ne peuvent pas vous fournir de pièces de rechange DESA d'origine, prenez contact avec le dépôt de pièces le plus proche ou appelez de DESA Heating, LLC au 1-866-672-6040.

Lorsque vous appelez DESA Heating, LLC ayez sous la main :

- votre nom
- votre adresse
- le numéro du modèle de l'appareil de chauffage
- une description de la panne de l'appareil de chauffage
- la date d'achat

### PIÈCES QUI NE SONT PAS SOUS GARANTIE

Communiquez avec des vendeurs autorisés de ce produit. S'ils ne peuvent pas vous fournir de pièces de rechange d'origine, contactez le dépôt de pièces le plus proche (les dépôts sont répertoriés dans la brochure des centres de service autorisés) ou appelez DESA Heating, LLC au 1-866-672-6040 pour plus de renseignements.

Lorsque vous appelez DESA Heating, LLC ayez sous la main :

- le numéro du modèle de l'appareil de chauffage
- le numéro de la pièce de rechange

## SERVICE TECHNIQUE

Si un appareil de chauffage ne fonctionne pas correctement, il doit être réparé, mais uniquement par un technicien formé et expérimenté. Pour trouver votre centre de services local ou si vous avez d'autres questions à propos de cet appareil de chauffage, contactez de DESA Heating, LLC au 1-866-672-6040. Lorsque vous appelez, ayez sous la main les numéros de modèle et de série de votre appareil de chauffage.

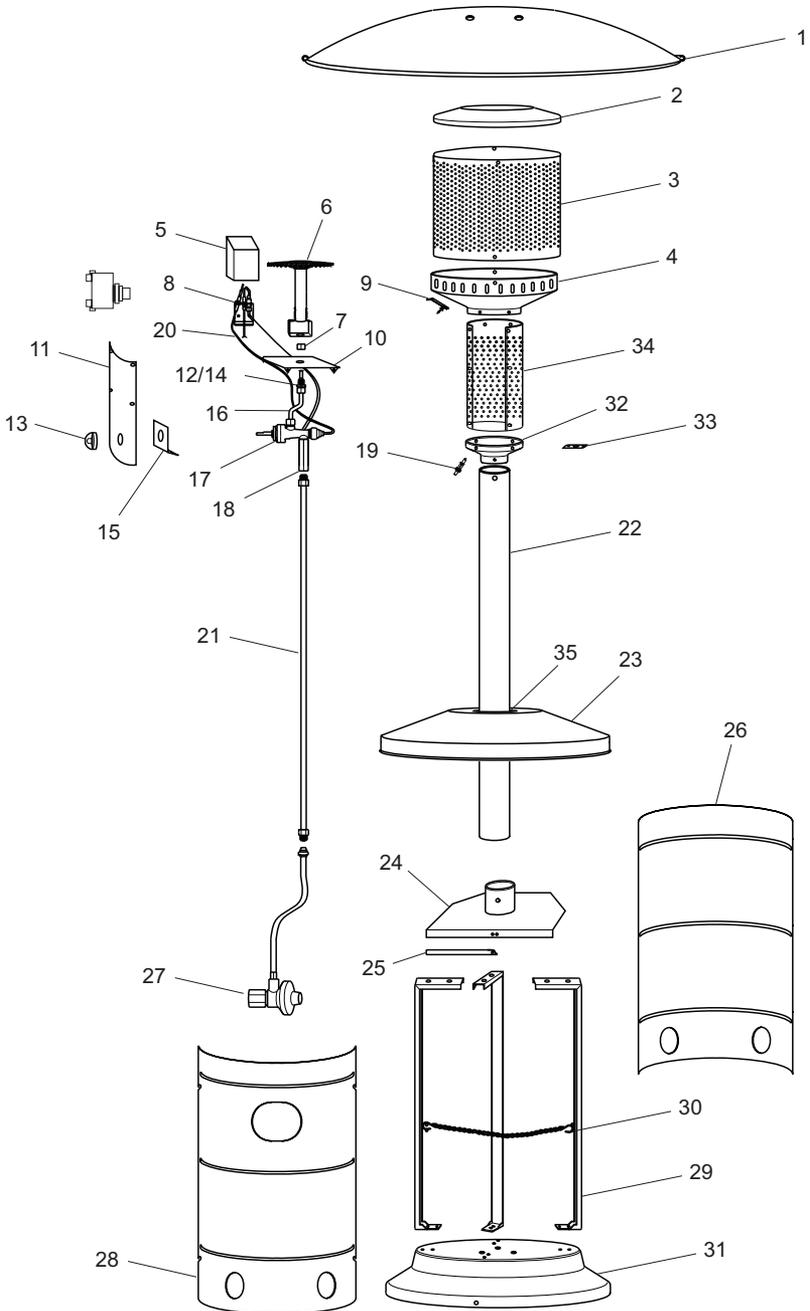
Vous pouvez aussi visiter le site web de DESA Heating, LLC à l'adresse [www.desatech.com](http://www.desatech.com).

Vous pouvez aussi obtenir de l'assistance avec ou sans garantie en amenant votre appareil à votre centre de services local.

# PIÈCES

## MODÈLES

TD125, TD126, TD127, TD128



## PIÈCES

Cette liste contient les pièces de rechange utilisées dans votre appareil de chauffage. Quand vous commandez des pièces, reportez-vous aux instructions de la section Pièces de rechange, à la page 13 de ce manuel.

N°	N° DE PIÈCE	DESCRIPTION	Td125	Td126	Td127	Td128	QTÉ
1	V01-001	Dôme	•	•	•	•	1
2	V01-002	Capuchon d'émetteur	•	•	•	•	1
3	V01-003	Émetteur	•	•	•	•	1
4	V01-005	Base d'émetteur	•	•	•	•	1
5	V01-008	Capuchon de veilleuse	•	•	•	•	1
6	V01-004	Brûleur principal	•	•	•	•	1
7	V01-028	Écrou en cuivre	•	•	•	•	1
8	V01-007	Assemblage de brûleur de veilleuse	•	•	•	•	1
9	V01-006	Obturbateur de judas	•	•	•	•	1
10	V01-011	Panneau isolant	•	•	•	•	1
11	V01-009	Panneau avant (fonctionnement en anglais)	•	•	•	•	1
12	V01-026	Buse d'aération principale	•	•	•	•	1
13	V01-034	Bouton	•	•	•	•	1
14	V01-027	Connecteur de buse d'aération	•	•	•	•	1
15	V01-012	Support de vanne	•	•	•	•	1
16	V01-029	Canalisation de gaz de brûleur principal	•	•	•	•	1
17	V01-037	Assemblage de vanne	•	•	•	•	1
18	V01-030	Tuyau de connecteur	•	•	•	•	1
19	V01-036	Allumeur manuel	•	•	•	•	1
	V01-036E	Allumeur électrique	•	•	•	•	1
20	V01-023	Ligne d'allumeur	•	•	•	•	1
21	V01-031	Canalisation de gaz	•	•	•	•	1
22	V01-015	Pied	•	•	•	•	1
23	V01-017	Couvercle de bouteille	•	•	•	•	1
24	V01-016	Support de pied	•	•	•	•	1
25	V01-022	Support de couvercle de bouteille	•	•	•	•	1
26	V01-019	Habillage arrière	•	•	•	•	1
27	V01-045	Assemblage de régulateur	•	•	•	•	1
28	V01-018	Porte	•	•	•	•	1
29	V01-020	Supports latéraux	•	•	•	•	3
30	V01-032	Chaîne	•	•	•	•	1
31	V01-021K	Prêt-à-monter de base	•	•	•	•	1
32	V01-014	Base de boîtier de vanne	•	•	•	•	1
33	V01-013	Plaque fixe de canalisation de gaz	•	•	•	•	1
34	V01-010	Boîtier de vanne	•	•	•	•	1
35	V01-035	Joint torique	•	•	•	•	1
<b>PIÈCES DISPONIBLES — PAS ILLUSTRÉES</b>							
	NV02-08-00	Assemblage de roues	•	•	•	•	1
	121119-01	Sachet de quincaillerie	•	•	•	•	1
	114124-01	Étiquette à fil, anglais	•	•	•	•	1
	114124-02	Étiquette à fil, espagnol	•	•	•	•	1
	114124-03	Étiquette à fil, français	•	•	•	•	1
	114122-02	Étiquette d'utilisation, anglais	•	•	•	•	1
	114124-06	Étiquette d'utilisation, espagnol	•	•	•	•	1
	114124-07	Étiquette d'utilisation	•	•	•	•	1
	121420-01	Étiquette des roues, français	•	•	•	•	1

# **GARANTIE**

## **CONSERVEZ CETTE GARANTIE**

N° de modèle (placé sur le produit ou l'étiquette d'identification) \_\_\_\_\_

N° de série (placé sur le produit ou l'étiquette d'identification) \_\_\_\_\_

Date d'achat \_\_\_\_\_

Veuillez conserver le ticket de caisse à des fins de validation de la garantie.

### **GARANTIE LIMITÉE**

DESA Heating, LLC garantit ce produit et les pièces qui le constituent contre tout défaut de matériau et de fabrication pour une durée d'un (1) an en cas d'usage résidentiel ou pour 90 jours en cas d'usage commercial ou industriel à compter de la date de l'achat initial lorsqu'il est utilisé et maintenu en conformité avec les instructions. Cette garantie ne protège que le premier acheteur au détail dans la mesure où une preuve d'achat est fournie.

Cette garantie ne couvre que le coût des pièces et de la main-d'œuvre requis pour restaurer le produit à son état de fonctionnement normal. Le transport et les frais accessoires associés aux réparations sous garantie ne sont pas remboursables sous cette garantie.

Les réparations sous garantie sont disponibles seulement par l'intermédiaire de marchands et de centres de service autorisés.

Cette garantie ne couvre pas les défauts causés par la mauvaise utilisation, l'abus, la négligence, les accidents, le manque d'entretien adéquat, l'usure normale, les modifications, les altérations, le trafic, les combustibles contaminés, les réparations avec des pièces inadéquates ou les réparations par quelqu'un d'autre qu'un revendeur ou un centre de service autorisé. L'entretien de routine est la responsabilité du propriétaire.

**CETTE GARANTIE EXPRESSE REMPLACE TOUTE AUTRE GARANTIE EXPRESSE OU IMPLI-CITE, Y COMPRIS LES GARANTIES DE COMMERCIALITÉ ET D'ADÉQUATION À UN BESOIN PARTICULIER.**

DESA Heating, LLC n'assume aucune responsabilité pour les dommages indirects, accessoires ou immatériels. Certains états ou provinces ne permettent pas l'exclusion ou la restriction des dommages accessoires ou immatériels et certaines restrictions ou exclusions pourraient ne pas s'appliquer à votre cas. Cette garantie limitée vous donne des droits spécifiques selon la loi; vous pourriez aussi avoir d'autres droits selon l'état ou la province où vous habitez.

Cette garantie ne couvre pas la décoloration due au fonctionnement de l'appareil. La seule garantie valable est notre garantie écrite standard. Nous n'offrons aucune autre garantie, expresse ou implicite.

### **RÉPARATION SOUS GARANTIE**

Si votre appareil de chauffage a besoin de réparation, retournez-le au centre de service autorisé le plus près de chez vous. Une preuve d'achat doit être présentée avec l'appareil de chauffage. L'appareil de chauffage sera inspecté. Un défaut peut être causé par des matériaux défectueux ou un défaut de fabrication. Si tel est le cas, DESA Heating, LLC réparera ou remplacera l'appareil de chauffage sans frais.

### **SERVICES DE RÉPARATION**

Retournez l'appareil de chauffage au centre de services autorisé le plus près de chez vous. Chaque centre de services est autonome. Les réparations non couvertes par la garantie seront facturées aux prix normaux.

Pour des renseignements sur cette garantie, écrivez à :

# **DESA**

DESA Heating, LLC  
2701 Industrial Drive  
P.O. Box 90004  
Bowling Green, KY 42102-9004, États-Unis  
www.desatech.com  
1-866-672-6040

121117-01  
Rev. B  
08/07



121117 01  
NOT A UPC

## Free Manuals Download Website

<http://myh66.com>

<http://usermanuals.us>

<http://www.somanuals.com>

<http://www.4manuals.cc>

<http://www.manual-lib.com>

<http://www.404manual.com>

<http://www.luxmanual.com>

<http://aubethermostatmanual.com>

Golf course search by state

<http://golfingnear.com>

Email search by domain

<http://emailbydomain.com>

Auto manuals search

<http://auto.somanuals.com>

TV manuals search

<http://tv.somanuals.com>