

Diamante

a brilliantly cut gem

Designer Collection

- wall canopy rangehood
- sleek styling
- 600 cfm PRO motor
- Silent Kit noise reduction
- 2 halogen lights for 30"
- 3 halogen lights for 36" and 48"
- 3 speed push button controls
- stainless steel baffle filters
- modified pro depth
- convertible to ductless*
- Easy Cube mounting system
- some range: 3.5 - 6.5
- 6" round duct



FABER

* it is highly recommended that professional style cooking always be vented to the outside.



A streamlined shape combined with traditional styling makes the Diamante an updated alternative in canopy ventilation. To add subtle sparkle, the corners of the canopy and the chimney are angled in a diamond-like cut.

Size/Color/Model

30 Stainless	630001087
36 Stainless	630001088
48 Stainless	630001648

a 24" High Backsplash

c	24" high, mounts to the wall beneath the rangehood for a coordinated look	
c	30 x 24 Stainless	6098835
e	36 x 24 Stainless	6098815

s 30" High Backsplash

s	30" high, mounts to the wall beneath the rangehood for a coordinated look	
o	30 x 30 Stainless	620000095
r	36 x 30 Stainless	620000096

i High Ceiling Chimney Kit

e	One 40" upper chimney to replace 16 1/8" upper chimney that came with hood	
s	Stainless	620000071



pro-style baffle filters with European flair and a built-in grease control system; bright halogen lights encircled by a stainless trim

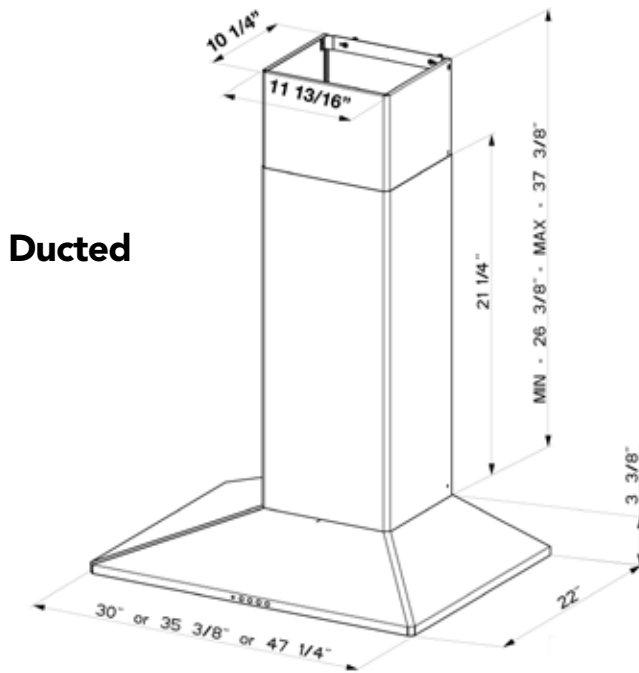
Ductless Conversion Kit

- Lower Chimney with holes for ducting
- Ductless Diverter Assembly
- Vent Grates
- Charcoal Filter

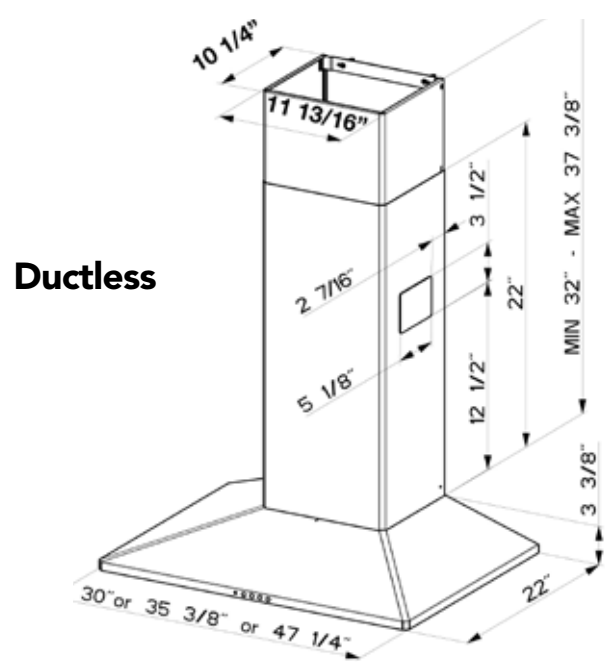
Stainless 620000072

Replacement Charcoal Filter 620000041

Dimensional Diagrams

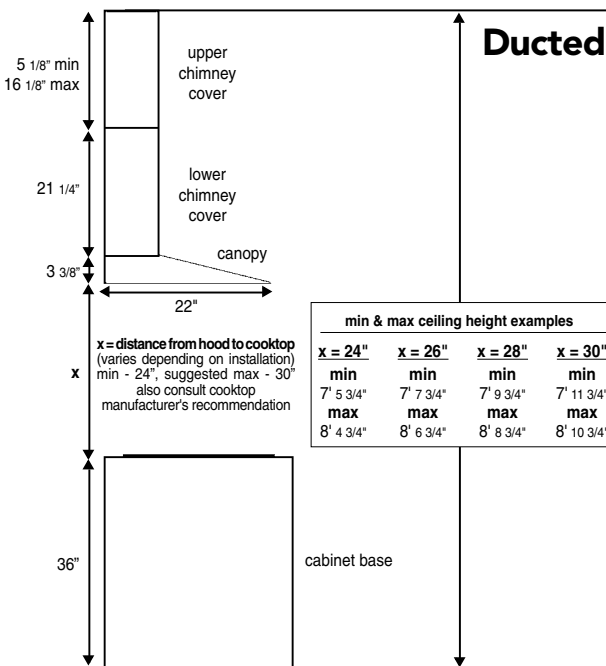


Ducted



Ductless

Pre-Planning Your Installation - Important: Consult the installation instructions before you begin installing this rangehood.

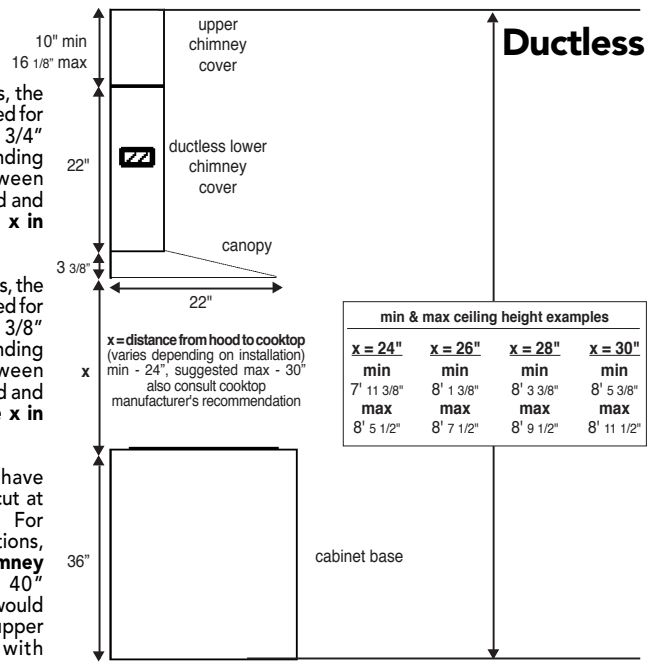


Ducted

For ducted installations, the chimneys can be adjusted for ceilings between 7' 5 3/4" and 8' 10 3/4" depending on the distance between the bottom of the hood and the cooktop (**distance x in Ducted diagram**).

For ductless installations, the chimneys can be adjusted for ceilings between 7' 11 3/8" and 8' 11 1/2" depending on the distance between the bottom of the hood and the cooktop (**distance x in Ductless diagram**).

For shorter ceilings, have the chimney cover(s) cut at a sheet metal shop. For higher ceiling installations, the **High Ceiling Chimney Kit** includes a new 40" upper chimney which would replace the 16 1/8" upper chimney that came with the hood.



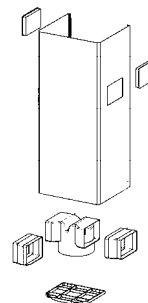
Ductless

Note: If 24" or 30" **High Backsplash** is being installed, the distance between the bottom of the hood and the cooktop (distance x in diagram) is equal to the height of the **Backsplash**.

Pre-Planning Your Installation - Important: Consult the installation instructions before you begin installing this rangehood.

Make your ductrun as straight and short as possible. The ductrun should not exceed 35 equivalent feet if ducted with the required minimum of 6" round duct. Count 45° angles as 3 feet, 90° elbows as 5 feet, and 90° flat elbows as 12 feet.

For best results, use no more than three 90° elbows. Make sure that there is a minimum of 24" of straight duct between elbows if more than one is used. Do not install two elbows together. If you must elbow right away, do it as far away from the hood's exhaust opening as possible.



Ductless Installations*

For installations where ductwork is impossible or highly impractical, a **Ductless Conversion Kit** is available. A charcoal filter, which attaches under the blower assembly, absorbs smoke and odors. A ductless diverter assembly directs the air out to a lower chimney with vent grates cut into the sides.

*** it is highly recommended that professional style cooking always be vented to the outside.**

WARNING! Product specifications are subject to change without notification. Consult the installation instructions before you begin installing this rangehood.

Free Manuals Download Website

<http://myh66.com>

<http://usermanuals.us>

<http://www.somanuals.com>

<http://www.4manuals.cc>

<http://www.manual-lib.com>

<http://www.404manual.com>

<http://www.luxmanual.com>

<http://aubethermostatmanual.com>

Golf course search by state

<http://golfingnear.com>

Email search by domain

<http://emailbydomain.com>

Auto manuals search

<http://auto.somanuals.com>

TV manuals search

<http://tv.somanuals.com>