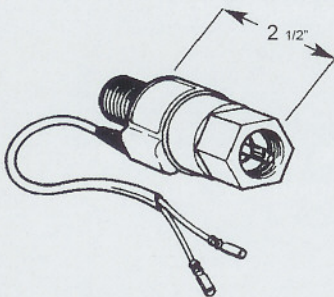


PREMIUM QUALITY FOR UNEXCELLED RELIABILITY

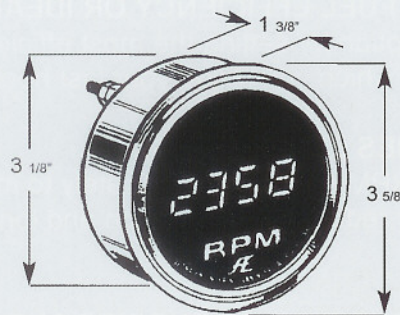
The tachometer measures one of the most important operating parameters of an engine - RPM. Your engine represents a substantial investment. Protect it with quality instrumentation.

Only top quality "mil-spec" workmanship and premium grade materials are used. This includes moisture proof glass/epoxy circuit boards with double thickness copper and extremely high intensity readouts manufactured by Hewlett Packard. The non-magnetic construction uses only brass, stainless steel, and passivated aluminum hardware. The gasketed glass to metal seal is impervious to moisture.

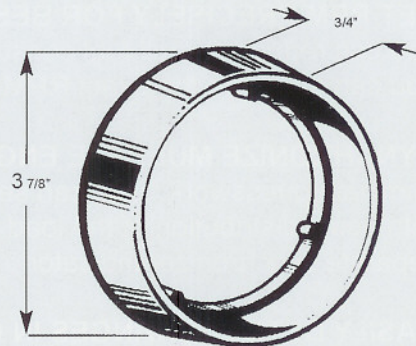
Easy to install on gasoline or diesel engines. Just three wires connect. Self-contained unit easily replaces existing standard-size tachometers. Choice of either polished stainless steel or black anodized aluminum bezel.



Sender Model 8901
For Diesel Engines



Tachometer Model 8402
LED Readout



Trim Ring
Available for optional use
with Black Bezel Tachometer

TACHOMETER SPECIFICATIONS

Tachometer range.....	0 to 9999 Revolutions Per Minute
Tachometer resolution.....	One Revolution Per Minute
Tachometer accuracy.....	Within plus or minus 1 revolution
Tachometer readout type.....	Four fully active LED digits
Tachometer display intensity.....	Automatic night dimming
Data update rate.....	Approximately once per second
Ratio settings: switch selectable....	(other ratios by special order)
Gasoline engines.....	3, 4, 6, 8, 12, 16 cycles (4 cycle)
Direct driven alternators.....	3, 4, 6, 8, 12, 16 poles
Diesel.....	2, 3, 4, 6, 8, 12, 16 pulses/rev.
Diesel sender output.....	Eight pulses per sender revolution
Diesel sender drive ratios.....	0.25:1, 2.0:1, 0.75:1, 1.0:1
Diesel sender fittings.....	SAE Marine 7/8-18 mount, 0.187 tip
Nominal input voltage.....	13.6 volts DC
Input voltage range.....	6.8 to 16.0 volts DC
Power consumption (@13.6 VDC)	
Bright Ambient.....	350 mA typical, 480 mA maximum
Dark Ambient.....	10 mA typical
Operating temperature range.....	-40 C to +85 C (-40 F to +185 F)
Storage temperature range.....	-60 C to +85 C (-76 F to +185 F)
Operating humidity range.....	0 to 95% R.H., non-condensing
Package construction.....	Passivated aluminum, non-magnetic
Interconnection terminals.....	Brass studs (3), #8x32
Warranty, limited.....	Two years

Specifications subject to change without notice.

AETNA ENGINEERING

0-379 Lake Michigan Dr. NW, Grand Rapids, MI 49544 USA
Toll Free: 1-800-776-7962 Phone: 231-223-9867 Fax: 231-223-9467
Email: aetnaengineering@fireboy-xintex.com Web: www.fireboy-xintex.com



REV. 12/04
17008



Free Manuals Download Website

<http://myh66.com>

<http://usermanuals.us>

<http://www.somanuals.com>

<http://www.4manuals.cc>

<http://www.manual-lib.com>

<http://www.404manual.com>

<http://www.luxmanual.com>

<http://aubethermostatmanual.com>

Golf course search by state

<http://golfingnear.com>

Email search by domain

<http://emailbydomain.com>

Auto manuals search

<http://auto.somanuals.com>

TV manuals search

<http://tv.somanuals.com>