

## 864 See-Thru Gas Fireplace



fireplacextordinair™

## Model 864 ST See-Thru Gas Fireplace

A home is a combination of dreams and choices, each a reflection of you. From the most intimate engraved details on a fireplace face to the grandest of fires, our fireplaces bring a sense of tranquility to your home.

The 864 ST maintains this tranquility with a perfect balance between the firebox, logs and flames. The logs and fire have been carefully designed to give you different look from either side. Compare the amazingly realistic eight piece logset with any other see-thru fireplace on the market! With the unique two-stage stepped burner, the 864 ST See-Thru fireplace will give you a warm, yellow fire with glowing embers that your friends and family will have a hard time telling apart from a real wood fire.

## Designed For Year Round Use

The 864 ST features the Comfort Control™ Valve. This valve allows the user virtually unlimited flame variation and the largest turn down rate of any see-thru gas fireplace. With the dual, stepped burner you have the option of controlling the outside and inside flames independently. You can even shut the middle flame off completely and use the outside burner for less heat. This is great for setting the mood and allowing the fireplace to be used throughout the entire year. Consider adding the Accent Light option. It casts a warm glow on the logs and fireback and can be used in your fireplace even when the fire is off.

## We Build Fireplaces Like No Others.

Our American manufactured fireplaces use only the highest quality materials available and we finish our products with perfection in mind. We design our fireplaces to the highest standards and stand behind our products with our dedicated manufacturing facility, trained hearth dealers and our Seven Year "Real World" warranty.

For the best in design, safety, ease-of-operation and comfort. Rediscover Fire.® and demand a Fireplace Xtordinaire fireplace.

## A Fireplace With Two Points of View

With two sides to the 864 ST Fireplace you get the ability to personalize each room using a different face on each side of the fireplace. Choose from the Basic Grill Set in black, as seen to the right, or pick one of the 17 beautiful upgrade faces in a wide variety of finishes and designs.



**Basic Grill Set** in Black Paint Finish  
41"W x 36 5/8"H - Edge to Edge

## Metropolitan™ Faces

This fireplace face design features the same beautiful grillwork of the Classic Arch Face, but in a more linear, contemporary style. The beveled edges of the Metropolitan Face also create an intriguing, three-dimensional appearance.



**Metropolitan™ Face** in Metallic Black Paint Finish  
40 3/4"W x 35 1/2"H



**Metropolitan™ Face** in Brushed Nickel Finish  
40 3/4"W x 35 1/2"H

## Classic Arch™ Faces

The “Original” Fireplace Xtrordinair CLASSIC ARCH™ face is our most popular fireplace face. The graceful arched opening frames the 864 square inches of viewing glass. This combination of a curved glass area and arched top line has proven timeless in its appeal to homeowners across North America. The delicate design of the heat exchange area has the appearance of woven lace, a design departure from the horizontal louvers common to inexpensive fireplaces.

The beautiful parallel arch appearance and fine detail of this face has become a unique, trademarked characteristic of Fireplace Xtrordinair, the original, and still the best arched fireplace.



**Classic Arch™ Face** in Metallic Black Paint Finish  
40 3/4" W x 35 1/2" H



**Classic Arch™ Face** in Brushed Nickel Finish  
40 3/4" W x 35 1/2" H

## French Country™ Faces

The FRENCH COUNTRY™ ARCH face is a perfect option with your Fireplace Xtrordinair 864 ST fireplace. The French Country face frames the fire and adds a charming look to your room. The unique arch with its floral garland design comes in both metallic black paint and 24K gold hand-rubbed antique finishes.



**French Country™ Face** in Metallic Black Paint Finish  
40 3/4" W x 35 1/2" H



**French Country™ Face** in 24K Gold Hand-Rubbed  
Antique Finish - 40 3/4" W x 35 1/2" H

## Architectural™ Double Doors

The ARCHITECTURAL™ DOORS offer an elegant collection of rectangular and arched black painted double doors for the 864 ST Gas Fireplace. These beautiful the doors, which can be opened, create the illusion of a much larger fireplace.



The Architectural Door Collection features the ability to add richly plated onlays to the basic black, operable double doors. Onlays are available in three distinct designs, each with their own unique, hand-rubbed antique plated finishes in bronze, copper or nickel.



This close up of the **Arts & Crafts Onlay** highlights a delicate oak leaf scroll, which is offered in a hand-rubbed antique copper finish.

## Rectangular Double Doors



**Architectural™ Rectangular Double Doors**  
in Metallic Black Paint Finish  
40 7/8" W x 35 5/8" H

## Arched Double Doors



**Architectural™ Arched Double Doors**  
in Metallic Black Paint Finish  
40 7/8" W x 35 5/8" H



The **Classic™ Onlay** is available in an Antique Bronze finish and features the detailed lace-like appearance of the "Original" Fireplace Xtordinaire Classic design, when attached to the rectangular or arched double doors.



The **Artisan™ Onlay** has a soft Antique Nickel finish, which features a graceful diamond pattern when attached to the rectangular or arched double doors.

## Hand-Hammered Artisan™ Faces

The ARTISAN™ face design and craftsmanship are reminiscent of the ironwork in the Great Lodges of Europe and America. The Artisan face is hand-forged and hammered by master blacksmiths in Europe. Each face bears unique, subtle characteristics from the hands of its creator, making it an individual work of art in iron.

The wrought iron window detail of chiseled and twisted steel frames the soft curve of a large glass viewing window.



The heat outlet of the 864 ST Gas Fireplace is concealed by the graceful diamond pattern above the glass. Variations in the hand-forged metal texture create an infinite variety of firelight reflections. You can further personalize your see-thru fireplace with the choice of three finishes in the Artisan design - charcoal paint, hand-rubbed antique nickel finish or the rich, hand-rubbed antique copper finish.



**Artisan™ Face** in Charcoal Paint Finish  
40 3/4" W x 35 1/2" H



**Artisan™ Face** in Hand-Rubbed Antique Nickel Finish - 40 3/4" W x 35 1/2" H



**Artisan™ Face** in Hand-Rubbed Antique Copper Finish - 40 3/4" W x 35 1/2" H

## Optional Enhancements



Straight Brick



Herringbone Brick



Diamond Mosaic Brick

### Decorative Firebacks

In addition to adding a gorgeous face to the outside of your fireplace, you can also decorate the inside. We offer two reversible fireback liners that give you the choice of four different interior looks.

Straight Brick on one side or Herringbone on the other.

Diamond Mosaic on one side or Stucco on the other.

Or for a very contemporary look, choose the stunning Stainless Steel liner.



Diamond Mosaic Brick with Accent Light on



Stucco



Stainless Steel

### Accent Lights

Add the dual Accent Light option to highlight your fireplace interior. With the Accent light option you can enjoy the fireplace even when the fire is off making the unit functional all year long.

### Convection Fan

If you want to improve the heated air circulation within your home, consider adding the quiet, 130 CFM convection fan. This easy to install fan can help increase the efficiency of the heat transfer off the fireplace firebox.

## Cast Iron Andirons

Make a dramatic statement on one or both sides of your fireplace. Choose from three different cast Iron Andirons to finish the interior and accent the beautiful logs and flames.



Colonial



Arabesque



Wrought Iron

## Control Options

Beside manual operation with the standard wall switch, the 864 gives you the option of hands-free operation by adding a Wall Thermostat. Other control options include the Basic Remote Control, which provides ON/OFF or Thermostat operation or the Omega™ Remote Control which allows incremental control of the fire/heat output, optional fan speed and intensity of the accent light option.



Wall Thermostat

Basic Remote Control



Omega™ Modulating Remote Control

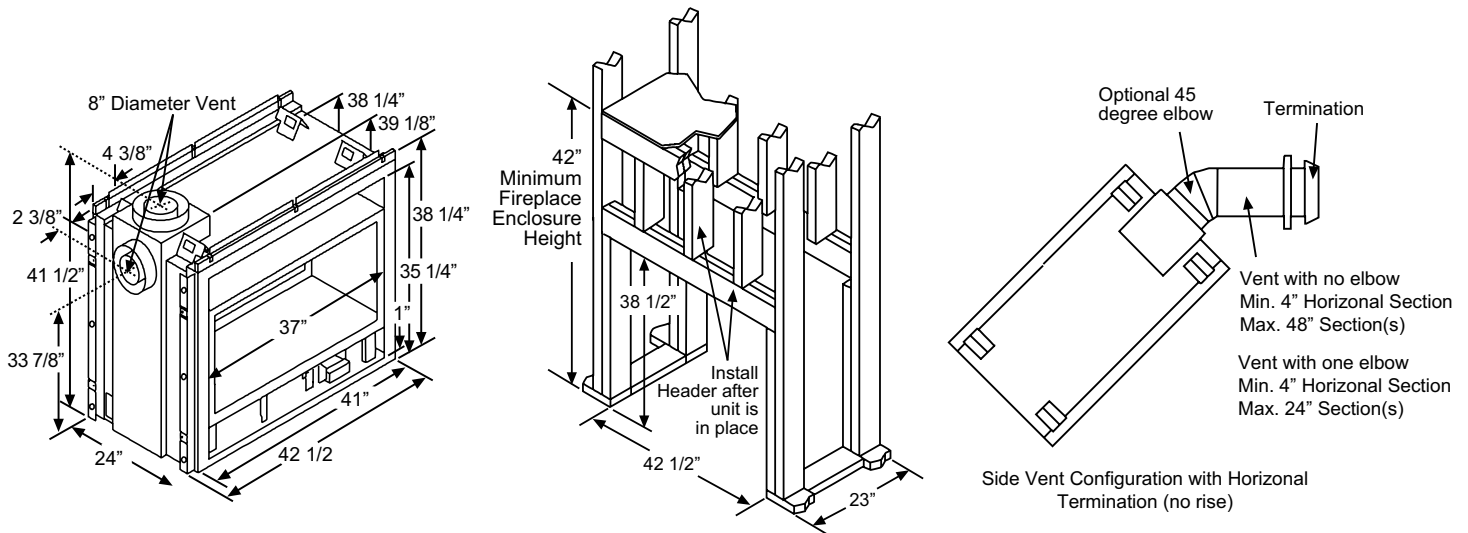


## Extra Room Power Heat Duct

Add heat to an additional room within your home with the Extra Room Power Heat Duct Kit. This venting configuration delivers heat to an additional zone within your home. Direct the heat to any room upstairs, downstairs or anywhere within 20 feet of the fireplace.

# Installation & Clearances

Please refer to the Owner's Manual for all installation information. Owner's Manuals can be downloaded from the Fireplace Xtrordinair website under the specific product - [www.fireplacex.com](http://www.fireplacex.com)



## Features

- The 864 ST utilizes a standing pilot gas valve. This system allows the fireplace to generate it's own electricity to operate and gives you continuous enjoyment of the fire and heat output, even if the power goes out in your neighborhood.
- Heater Rated: Heats up to 1,000 Square Feet.
- 8 piece realistic logset (different design from either side)
- Comfort Control™ Valve allows the widest turn down rate of any see-thru fireplace.
- ON/OFF Wall Switch is standard at no additional cost.
- Tempered glass with safety screen that can be removed if desired.

## Specifications

- Maximum BTU/Hr Input: 37,500 (NG & LP)
- Minimum BTU/Hr. Input: 14,700 (NG), 10,000 (LP)
- Minimum BTU/Hr. Output: 9,600 (NG), 6,400 (LP)
- Overall Efficiency: 76.4% (NG), 77.5% (LP)
- Glass Area: 36" wide x 24" high x 2 sides = 1,728 sq. in.
- Basic Face Dimension: 40-5/8" wide x 36-3/4" high

## Optional Enhancements

- 18 beautiful faces to choose from in different textures and finishes
- Firebacks
  - Reversible Straight/Herringbone Brick
  - Reversible Stucco/Diamond Mosaic Brick
  - Stainless Steel
- Cast Iron Andirons
  - Colonial
  - Arabesque
  - Wrought Iron
- Dual Accent Lights
- 130 CFM Convection fan
- Power Heat Duct Kit
- Wall Thermostat
- Remote Control
- Omega™ Modulating Remote Control

Your Authorized Fireplace Xtrordinair Dealer Is Located At:



Photos and illustrations are for descriptive purposes only. We reserve the right to improve or change our products without prior notification. Trademarks belong to Travis Industries, inc. Consult the Owner's Manual for complete installation requirements.



## Free Manuals Download Website

<http://myh66.com>

<http://usermanuals.us>

<http://www.somanuals.com>

<http://www.4manuals.cc>

<http://www.manual-lib.com>

<http://www.404manual.com>

<http://www.luxmanual.com>

<http://aubethermostatmanual.com>

Golf course search by state

<http://golfingnear.com>

Email search by domain

<http://emailbydomain.com>

Auto manuals search

<http://auto.somanuals.com>

TV manuals search

<http://tv.somanuals.com>