

Frigidaire

Factory Parts Catalog

Product No.	FEQ332CES0
Series	Frigidaire
Market	Canada
Color	white
Volts	230
Owner's Guide	134447700
Installation Instructions	134296400
Operating Instructions	134099100
Energy Guide	134487600

 **Electrolux**

ELECTROLUX HOME PRODUCTS, INC.
6150 McLaughlin Road, Mississauga,
Ontario, Canada L5R 1K6

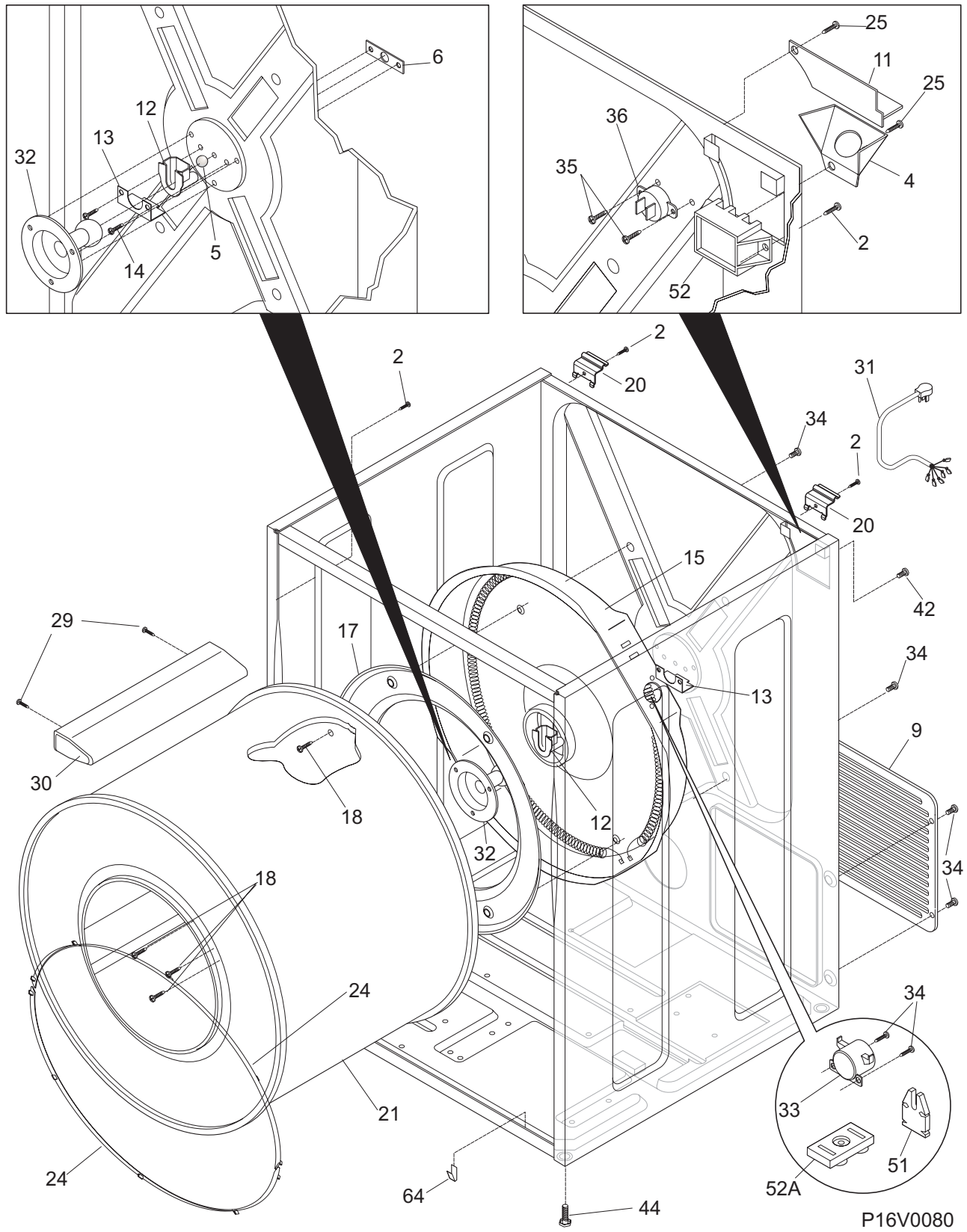
Publication No.
5995427258
05/01/21
(EN/SERVICE/BJH)
361

ELECTRIC DRYER

Model No.
FEQ332CE

Copyright © 2005 Electrolux Home Products, Inc.
All rights reserved.

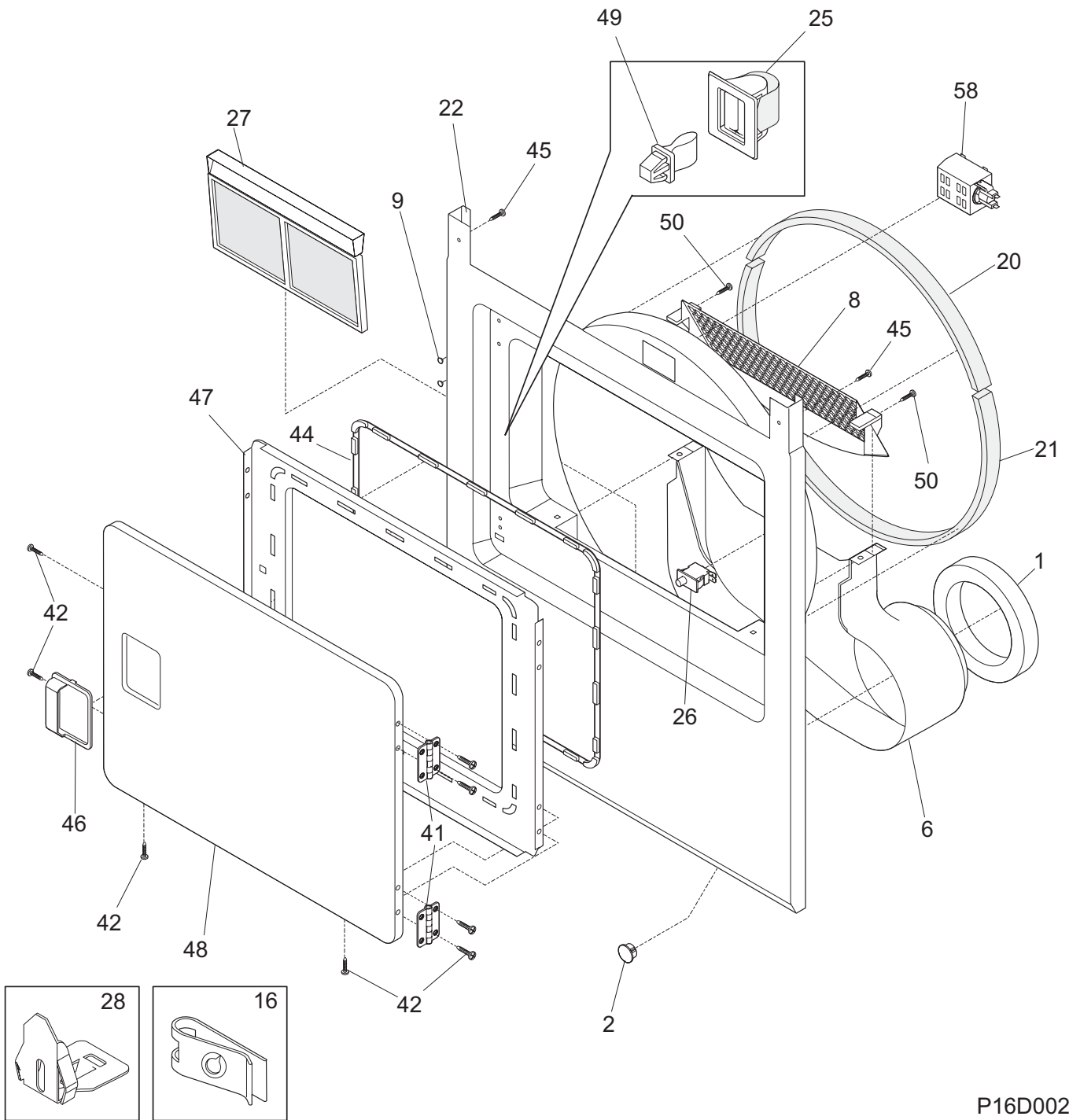
CABINET/DRUM



CABINET/DRUM

POS. NO	PART NO.	DESCRIPTION
2	131168200	Screw, pan head, 8-18B x 0.31
4	131785200	Bracket, elec power cord, knock out
5	5303281019	Ball, grounding
6	5303281020	Clip, ball, steel, flat nut
9	131793200	Panel, service access, rear
11	5303211428	Cover, terminal block
12	131825900	Bearing, drum support
13	131724300	Bracket, bearing support
14	131205400	Screw, bracket mtg., 10-16B x 1.375, cr/sq drive
15 #	131553900	Heater Assy, w/housing/felt
17	3204254	Baffle, heater shield
18	131477000	Screw, 10-16AB x 0.375
20	131469100	Bracket, hinge, rear, top panel mtg.
21	134122532	Drum, dryer, galvanized stl., service kit
24	131963900	Glide, drum
25	5303015671	Screw, hex washer head, 8-18 x 0.375, cup point
29	131382300	Screw, quadrex head, 10-14 x 1.00, vane mtg., special
30	5303201200	Vane, straight
31 #	134502300	Power Cord, electric svce, 4-wire Canada
*	5303297892	Clamp, strain relief, power cord
32	131777700	Shaft, drum support, ballhitch
32*	5303307893	Lubricant, high temp
33 #	3204267	Thermostat, safety
34	131243700	Screw, pan head, 8-18AB x 0.375, cr/sq drive
35	131892100	Screw, 6-20B x 0.230
36 #	134120900	Thermal Limiter
42	134154100	Screw, hex washer head, 10-32 x 0.375, ground
44	134158000	Leveling Leg, screw
51	131472100	Insulator, heater housing
52 #	134101400	Terminal Block, main
* #	134110500	Wiring Harness, main
52A	3202786	Terminal Block, heater housing
64	131704600	Clip, front, cabinet bottom
* #	5303281153	Rear Bearing Kit, includes 5, 6, 12, 13, 14, 18, 32
*	5303937141	Stacking Kit, washer/dryer

FRONT PANEL/LINT FILTER

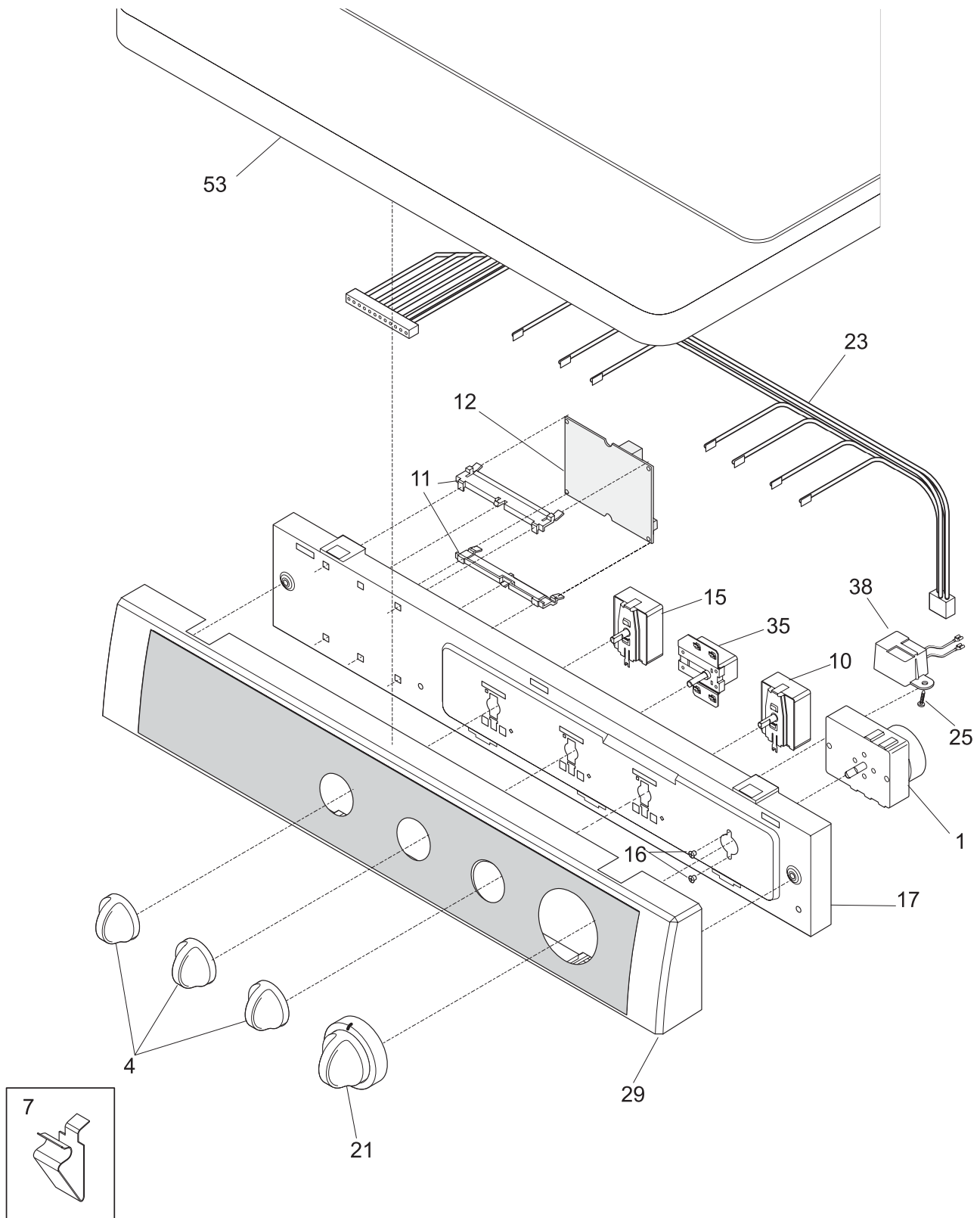


P16D0028

FRONT PANEL/LINT FILTER

POS. NO	PART NO.	DESCRIPTION
1	134417000	Seal, air duct
2	131397000	Plug, dome, white
6	131621900	Duct, air
8 #	131845801	Cover, lint housing, w/moist sensor
8* #	131657500	• Wiring Harness, moisture sensor
9	131633200	Plug, white
16	131063700	Clip, wiring
20	134440200	Seal, felt, upper
20*	5308027429	• Adhesive, high temp
21	134134700	Seal, felt, lower
22	131845902	Panel, front, white, with lamp hole
22*	131474700	Insulation
25	131658800	Door Catch
26 #	131843101	Switch, door, with drum light
27	131450300	Trap, lint blade assy
28	134440000	Clip, guide
41	134222900	Hinge, dryer door
42	134156200	Screw, flat head, 8-18AB x 0.44, quad drive
44	131129900	Gasket, door seal
45	134207300	Screw, pan head, 8-18AB x 0.250
46	131644700	Handle, door, white
47	131844104	Panel, inner door, white
48	131789303	Panel, outer door, white
49	5303211430	Door Strike
50	131303300	Screw, pan head, 10-16AB x 0.500, locking
58 #	131843500	Lamp Assy, drum light, w/mtg bracket
58*#	131862800	• Lamp

CONTROLS/TOP PANEL

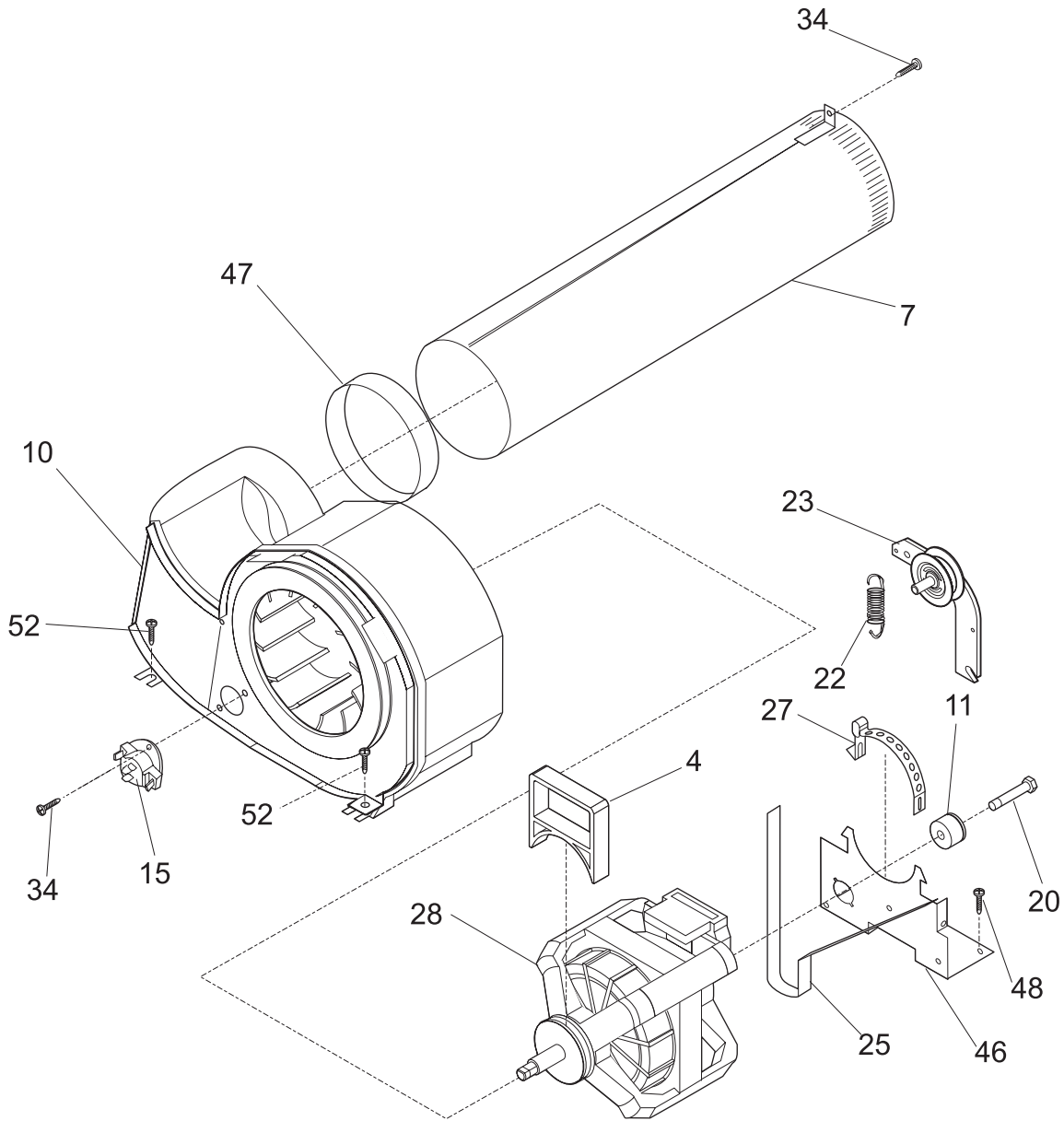


P16C0153

CONTROLS/TOP PANEL

POS. NO	PART NO.	DESCRIPTION
1 #	131789200	Timer, dryer
4	134042800	Knob, rotary, white
7	3205821	Clip, top-to-front
10	134398300	Switch, start, turn type
11	131587400	Bracket, pc board mtg., (2)
12 #	134216300	Control Board, moisture sensor
15 #	134046800	Switch, temp control, 3 posn rotary
16	134034300	Screw, pan hd phillips, 8-18B x 0.250
17	134064501	Bracket, control mtg.
21	134042600	Knob, timer, white/gray
23 #	134063800	Wiring Harness, control
* #	134110500	Wiring Harness, main
* #	134101400	Terminal Block, main
25	5303015671	Screw, hex washer head, 8-18 x 0.375, cup point
29	131666971	Console, frame, w/trim & tape
35 #	131243200	Switch, 2 position
38 #	5303210285	Buzzer
53	134086812	Panel, dryer top, white, stackable
*	134296400	Instructions, installation
*	134487600	Energy Guide

MOTOR



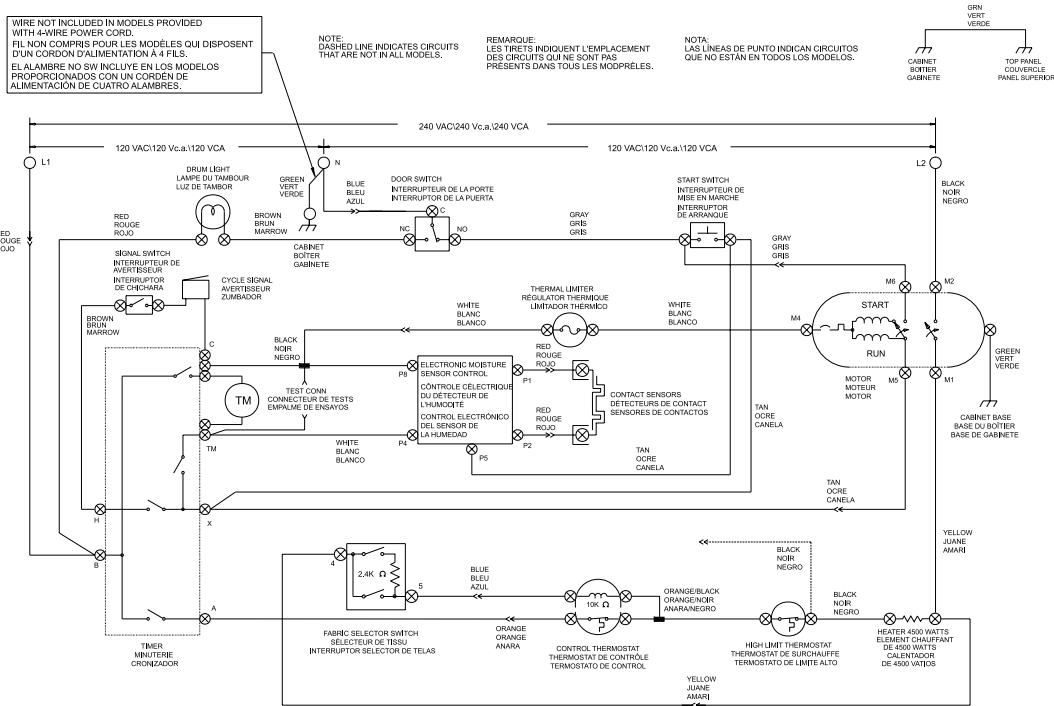
P16M0024

MOTOR

POS. NO	PART NO.	DESCRIPTION
4	131435200	Lock, blower housing
7	131451600	Tube, exhaust, rear, w/mtg bracket
7*	131456800	Tube, exhaust, side/bottom, Optional Kit
10 #	131775600	Blower Assy, housing, w/cover & wheel
11	131749800	Spacer, idler
15 #	134048800	Thermostat, control
20	131017900	Screw, hex head, 1/4-20T x 1.25, spacer mtg., thread cutting
22	131601000	Spring, idler arm
23 #	131863004	Idler Arm Assy, w/pulley
25 #	134163400	Belt, dryer
27	134242400	Clamp, motor mtg.
28 #	131560100	Motor & Pulley Assy
34	131243700	Screw, pan head, 8-18AB x 0.375, cr/sq drive
46	134203400	Bracket, motor mtg
47	131633300	Seal, exhaust tube
48	131168200	Screw, pan head, 8-18B x 0.31
52	131202300	Screw, 10-16AB x 0.625

WIRING DIAGRAM

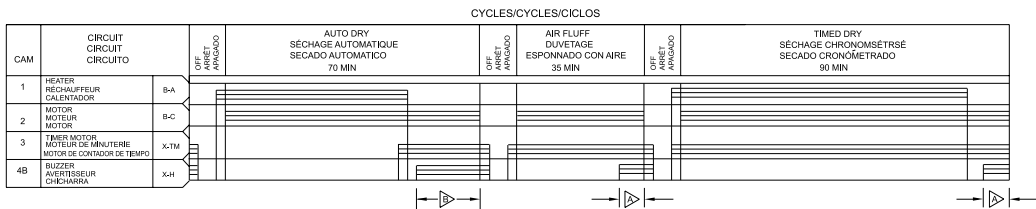
CAUTION: DISCONNECT ELECTRIC CURRENT BEFORE SERVICING
 MISE EN GARDE: METTRE HORS TENSION AVANT D'EFFECTUER TOUTE MESURE D'ENTRETIEN.
 PRECAUTION: DESCONNECTAR LA CORRIENTE ELECTRICA ANTES DE DAR SERVICIO A LA SECADORA.



WIRING CODES	CODES DE CÂBLAGE	CODIGOS DE ALAMBRADOS
⊗ QUICK DISCONNECT TERMINAL CONNECTION	BORNE À DBOURNE BRANCHMENT RAPIDE CONNEXION	TERMINAL DE DESCONEJON RAPIDA CONEXION
⊕ NO CONNECTION	AUCUNE CONNEXION	SIN CONEXION
⊖ MOTOR SWITCH	INTERRUPTEUR DU MOTEUR	INTERRUPTOR DEL MOTOR
⊚ SPICE	ÉPISURE	EMPALME
⊙ MOTOR PROTECTOR	PROTECTEUR DU MOTEUR	PROTECTOR DEL MOTOR
⊙ CHASSIS (CABINET) GROUND	MISE À LA TERRE DU BOMISE TIËR	PUESTA A TIERRA DEL CHASSIS (GABINETE)
⊙ SCREW TERMINAL	BORNE À VIS	BORNE DE TORNILLO
⊙ HARNESS CONNECTOR TERMINAL	BORNE À CONNECTEUR DE HARNAIS	TERMINAL CONECTOR DE CONEXIONADO
⊙ INSULATED TERMINAL	BORNE OSOLEE	TERMINAL AISLADO

FABRIC SELECTOR SWITCH SELECTEUR DE TISSU INTERRUPTEUR SELECTOR DE TELAS			RESISTANCE RESISTENCIA
FUNCTION	FONCTION	FUNCION	
REGULAR	RÉGULIER	RÉGULAR	∞
MEDIUM	MÉDIUM	MEDIA	2.4K Ω
LOW	BAS	BAJA	10 Ω MAX

- NOTES:
 1. ALL WIRING MUST CONFORM TO LOCAL ELECTRICAL CODES.
 2. CONNECT DRYER TO A 30 AMP INDIVIDUAL BRANCH CIRCUIT.
 3. TIMER SHOWN IN OFF POSITION, DOOR SWITCH CLOSED, MOTOR AT REST, THERMOSTAT CLOSED AND FABRIC SELECTOR SWITCH AT REGULAR.
- REMARQUES:
 1. TOUT LE CÂBLAGE DOIT RESPECTER LES CODES DE L'ÉLECTRICITÉ LOCAUX.
 2. BRANCHER LA SECHEUSE À UNE DÉRIVATION DISTINCTE DE 30 AMPÈRES
 3. MINUTERIE ILLUSTRÉE EN POSITION FERMÉE, INTERRUPTEUR DE LA PORTE FERMÉE, MOTEUR ARRÊTÉ, THERMOSTAT FERMARRÊTÉ ET BOUTON DE SÉLECTION DU TISSU SUR RÉGULIER.
- NOTAS:
 1. TODAS LAS INSTALACIONES ALAMBRICAS DEBEN CUMPLIR CON LOS CODIGOS ELECTRICOS LOCALES.
 2. CONECTAR LA SECADORA A UN CIRCUITO DE RAMAL INDIVIDUAL DE 30 AMPERIOS.
 3. EL CRONIZADOR SE MUESTRA EN POSICION APAGADO, EL INTERRUPTOR DE LA PUERTA CERRADO, EL MOTOR EN REPOSE, EL THERMOSTATO CERRADO Y EL INTERRUPTOR SELECTOR DE TELAS EN REGULAR.



BAR CHART ABOVE REPRESENTS ONE COMPLETE REVOLUTION OF TIMER SHAFT.
 LE DIAGRAMME SUR LA GAUCHE REPRESENTE UNE ROTATION COMPLETE DE L'ARBRE DE LA MINUTERIE.
 EL GRAFICO DE BARRAS DE LA IZQUIERDA REPRESENTA UNA REVOLUCION COMPLETA DEL EJE DEL CRONIZADOR.

SHADED PORTION OF BAR CHART INDICATES THE PROPORTIONAL TIMES THAT INTERNAL TIMER CONTACTS ARE CLOSED.
 LA PARTIE OMBRÉE DU DIAGRAMME INDIQUE LE TEMPS RELATIF PENDANT LEQUEL LES CONTACTS INTERNES DE LA MINUTERIE SONT FERMÉS.
 LA PORCION SOMBRADA DEL GRAFICO DE BARRAS INDICA LOS TIEMPOS PROPORCIONALES QUE LOS CONTACTOS INTERNOS DEL CRONIZADOR ESTAN CERRADOS.

A PULSAR CAM, LOCATED NEXT TO THE BUZZER CAM AND ROTATING AT 12 REVOLUTIONS PER HOUR, ALLOWS CIRCUITS "X-H" TO CLOSE FOR 5 SECONDS (±3 SECONDS).
 UNE CAME D'IMPULSION SITUÉE À CÔTÉ DE LA CAME DE L'AVERTISSEUR ET TOURNANT À RAISON DE 12 TOURS À L'HEURE PERMET AU CIRCUIT «X-H» DE SE FERMER PENDANT 5 SECONDES (±3 SECONDES).
 UNA LEVA GENERADORA DE IMPULSION, UBICADA JUNTO A LA LEVA DEL ZUMBADOR Y GIRANDO A 12 REVOLUCIONES POR HORA, PERMITE QUE EL CIRCUITO "X-H" SE CIERRE DURANTE 5 SEGUNDOS (±3 SEGUNDOS).

▷ 1 OR 2 TIMES IN THIS AREA
 ▷ 1 OU 2 FOIS DANS CETTE SECTION
 ▷ 1 Ó 2 VECES EN ESTA AREA

▷ 3 TO 4 TIMES IN THIS AREA
 ▷ 3 À 4 FOIS DANS CETTE SECTION
 ▷ 3 A 4 VECES EN ESTA AREA

WIRING DIAGRAM
 SCHÉMA DE CSHÄBLAGE
 DIAGRAMA DE CONEXIONES
 134064000

Free Manuals Download Website

<http://myh66.com>

<http://usermanuals.us>

<http://www.somanuals.com>

<http://www.4manuals.cc>

<http://www.manual-lib.com>

<http://www.404manual.com>

<http://www.luxmanual.com>

<http://aubethermostatmanual.com>

Golf course search by state

<http://golfingnear.com>

Email search by domain

<http://emailbydomain.com>

Auto manuals search

<http://auto.somanuals.com>

TV manuals search

<http://tv.somanuals.com>