



Drop-In Cooktop

FPEC3685K S

36" Electric



More Easy-To-Use Features

Smoothtop Ceramic Glass Cooking Surface
6" Element (1,200W)
Hot-Surface Indicators

Overall Exterior Dimensions

Height	3-1/2"
Width	36-3/4"
Depth	21-1/2"

Available in:



Stainless
(S)

Signature Features



PowerPlus™ Boil

Boil water fast with our 3,100-watt element.



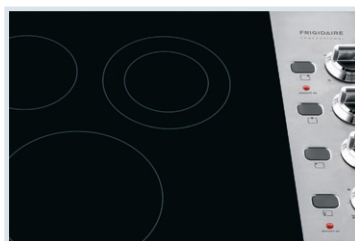
Pro-Select™ Controls

Precise control at your fingertips.



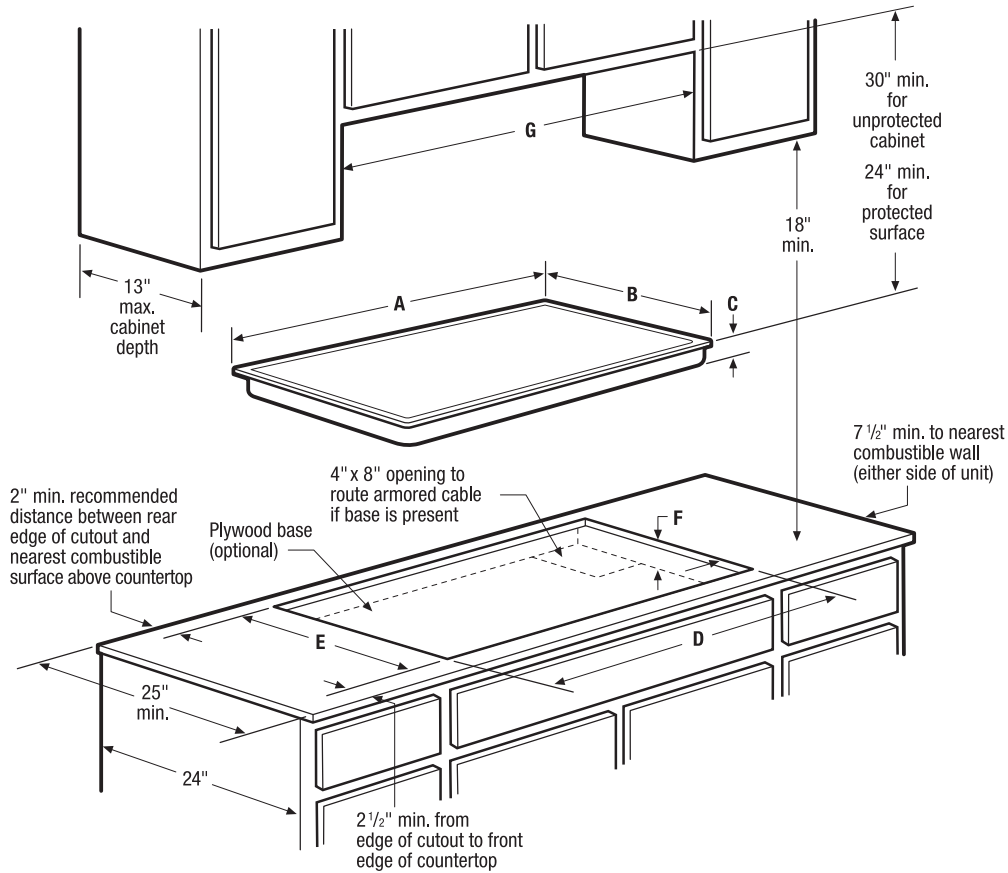
SpaceWise™ Bridge Element

A flexible element lets you combine two seven-inch elements into one to fit larger cookware.



SpaceWise™ Expandable Elements

Elements expand from five to seven inches to fit your cooking needs.



Overall Product Dimensions			Product Cutout Dimensions			G - Cabinet Opening Width	Power Supply Connection Location
A - Width	B - Depth	C - Height	D - Width	E - Depth	F - Height		
36-3/4"	21-1/2"	3-1/2"	35-5/8" min. 36-1/8" max.	20-1/4" min. 20-1/2" max.	6" min.	36" min.	Right Front

Drop-In Cooktop Specifications

- Product Shipping Weight (approx.) - 65 Lbs.
- Single phase 3- or 4-wire cable, 120/240 or 120/208 Volt, 60 Hertz AC only electrical supply with ground required on separate circuit fused on both sides of line.
- Connected Load (kW Rating) @ 240/208 Volts = 10.6/8.0kW
- Amps @ 240/208 Volts = 43.0/38.0 Amps
- Recommended Circuit Breaker - 40 Amps
- Always consult local and national electric codes.
- Allow 2" space beneath cooktop or optional platform to clear electrical cable and allow space for installation of junction box on wall at back of cooktop. Position center of junction box 10" inward from right side of cooktop cutout, and 12" down from underside of countertop.
- Overhead cabinetry should not exceed a 13" maximum depth.
- Allow 30" minimum clearance between top of cooktop and bottom of unprotected wood or metal overhead cabinetry.
- Absolute minimum horizontal distance between overhead cabinets installed to either side of appliance must be no less than 36".
- Allow 24" minimum clearance when bottom of wood or metal overhead cabinet is protected by not less than 1/8" flame-retardant millboard covered with not less than No. 28 MGS sheet steel, 0.015" stainless steel, 0.024" aluminum or 0.020" copper.
- Allow 2" minimum clearance between rear edge of cutout and nearest combustible surface above countertop.

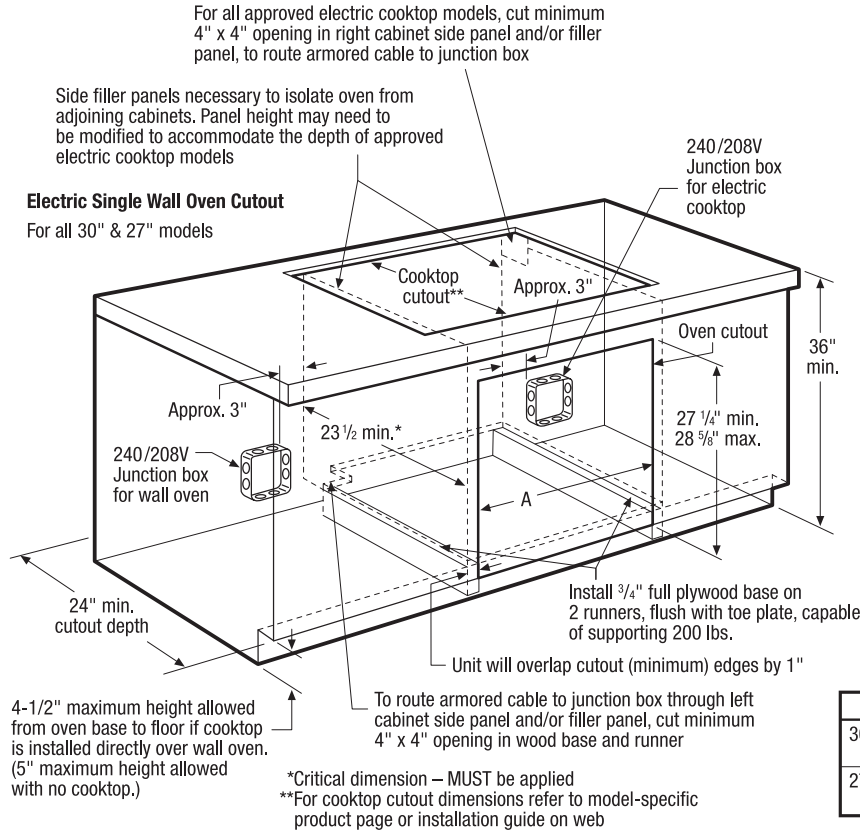
- Allow 7-1/2" minimum clearance from edge of cooktop to nearest combustible wall on either side of unit.
- Installation of drawers beneath cooktop requires minimum 8" clearance beneath countertop surface and assured clearance for electrical connection.
- To reduce risk of fire when using overhead cabinetry, install range hood that projects horizontally a recommended minimum of 5" beyond bottom of cabinets.
- Electric Drop-In Cooktop model FPEC3685K is approved to be used over any Frigidaire® Electric Single Wall Oven. (Refer to *Electric Cooktop Installation Over 30"/27" Electric Single Wall Oven Specifications page on web.*)
- Electric Drop-In Cooktop model FPEC3685K is approved to be used in combination with any Frigidaire® 36" Downdraft Vent. (Refer to *model-specific Downdraft Vent product page on web for detailed countertop preparation specifications.*)

Note: For planning purposes only. Refer to Product Installation Guide on the web at frigidaire.com for detailed instructions.

Optional Accessories

- Granite Countertop Installation Kit - (PN # 903061-9010).





30"/27" Electric Single Wall Oven Under-Counter Installation Specifications

- Single phase 3- or 4-wire cable, 120/240 or 120/208 Volt, 60 Hertz AC only electrical supply with ground required on separate circuit fused on both sides of line.
- For detailed electrical requirements, refer to model-specific product page and installation guide on web.
- Always consult local and national electric codes.
- Minimum 21" clearance for oven door depth when open.
- Minimum 23-1/2" deep cutout dimension is critical for proper installation, to ensure that oven's faceplate will fit flush against cabinet front.
- Full oven base of solid plywood or similar material required, capable of supporting 200 Lbs. Install over two runners and flush with toe plate.
- Base must be level and cabinet front must be square.
- Allow 5" maximum height from oven base to floor, if NO cooktop is installed directly over wall oven.

Electric Cooktop Installation Over 30"/27" Electric Single Wall Oven Specifications

- All Frigidaire® Electric Single Wall Ovens are approved to be used beneath any approved Frigidaire® Electric Cooktop.
- For detailed Electric Cooktop installation, refer to model-specific product page and installation guide on web.
- Side filler panels necessary to isolate oven from adjoining cabinets. Panel height may need to be modified to accommodate the depth of approved electric cooktop models.
 - To route armored cable to junction box, cut minimum 4" x 4" opening in right cabinet side panel.
 - Allow 4-1/2" maximum height from oven base to floor, if cooktop is installed directly over wall oven.

Note: For planning purposes only. Refer to Product Installation Guide on the web at frigidaire.com for detailed instructions.

Free Manuals Download Website

<http://myh66.com>

<http://usermanuals.us>

<http://www.somanuals.com>

<http://www.4manuals.cc>

<http://www.manual-lib.com>

<http://www.404manual.com>

<http://www.luxmanual.com>

<http://aubethermostatmanual.com>

Golf course search by state

<http://golfingnear.com>

Email search by domain

<http://emailbydomain.com>

Auto manuals search

<http://auto.somanuals.com>

TV manuals search

<http://tv.somanuals.com>