

Use and Care of Recirculation Hood Models JN322, JN334, JN335, JN634, & JN635 and Ventilating Hood Models JV322, JV324, JV332, JV334, JV335, JV624, JV634, & JV635

IMPORTANT SAFETY INSTRUCTIONS

WARNING- TO REDUCE THE RISK OF FIRE, ELECTRIC SHOCK, OR INJURY TO PERSONS, OBSERVE THE FOLLOWING:

- A. Use this unit only in the manner intended by the manufacturer. If you have any questions, contact the manufacturer.
- B. Before servicing or cleaning unit, switch power off at service panel and lock service panel to prevent power from being switched on accidentally.

For general ventilating use only. Do not use to exhaust hazardous or explosive materials and vapors.

When you get your new hood...

- Have it installed and properly grounded by a qualified technician in accordance with the installation instructions.
- Have the installer show you the location of the hood circuit breaker or fuse and mark it for easy reference.
- Take the time to read our suggestions for best use.

WARNING TO REDUCE THE RISK OF FIRE, ELECTRIC SHOCK, OR INJURY TO PERSONS, OBSERVE THE FOLLOWING:

- A. Installation work and electrical wiring must be done by qualified person(s) in accordance with all applicable codes and standards, including fire-rated construction.
- B. The combustion airflow needed for safe operation of fuel-burning equipment maybe affected by this unit's operation. Follow the heating equipment manufacturer's guideline and safety standards such as those published by the national Fire Protection Association (NFPA), and the American Society for Heating Refrigeration and Air Conditioning Engineers (ASHRAE), and the local code authorities.

- C. When cutting or drilling into wall or ceiling, do not damage electrical wiring and other hidden utilities.
- D. Ducted fans must always be vented to the outdoors.
- E. If this unit is to be installed over a tub or shower, it must be marked as appropriate for the application.

WARNING To reduce the risk of fire, use only metal ductwork.

When using your hood...

- Never leave surface units unattended at high settings. Boilover causes smoking and greasy spillovers that may ignite and spread if hood is used. Use surface unit heat settings recommended by the manufacturer and adequate-size utensils.
- Never use your cooking appliance for warming, or heating the room. The electrical wiring of your range hood may not withstand the resulting excessive heat.
- Keep the hood clean and clean grease filter or replace combination filter as recommended to maintain good venting and to avoid grease fires.

WARNING TO REDUCE THE RISK OF A RANGE TOP GREASE FIRE:

- A. Keep fan, filters and grease laden surfaces clean.
- B. Always turn hood ON when cooking at high heat.
- C. Use high range settings on range only when necessary. Heat oil slowly on low to medium setting.
- D. Don't leave range unattended when cooking.
- E. Always use cookware and utensils appropriate for the type and amount of food being prepared.

(continued next page)

Turn the page for Operation and Maintenance instructions.

GE Quality Product

Download from Www.Somanuals.com. All Manuals Search And Download.

IMPORTANT SAFETY INSTRUCTIONS (continued)

WARNING TO REDUCE THE RISK OF INJURY TO PERSONS IN THE EVENT OF A RANGE TOP GREASE FIRE, OBSERVE THE FOLLOWING:

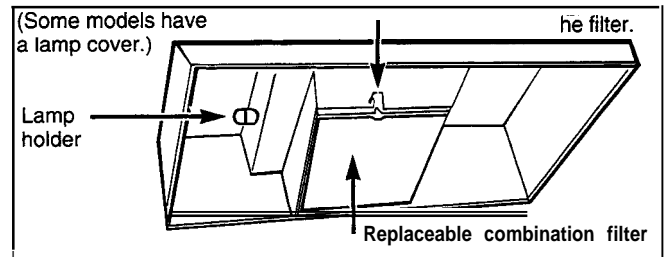
- A. SMOTHER FLAMES with a close-fitting lid, cookie sheet, or metal tray, then turn off the burner. BE CAREFUL TO PREVENT BURNS. If the flames do not go out immediately EVACUATE AND CALL THE FIRE DEPARTMENT.
- B. NEVER PICKUP A FLAMING PAN. You may be burned.
- C. DO NOT USE WATER, including wet dishcloths or towels-a violent steam explosion will result.
- D. USE AN EXTINGUISHER ONLY IF:
1. You know you have a Class ABC extinguisher, and you already know how to operate it.
 2. The fire is small and contained in the area where it started.
 3. The fire department is being called.
 4. You can fight the fire with your back to an exit.

SAVE THESE INSTRUCTIONS

If You Need Service...

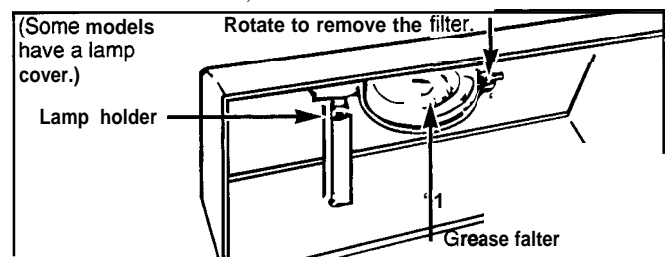
- Do not attempt to repair or replace any part of your hood unless it is **specifically** recommended in this book. All other servicing should be referred to a qualified technician.
- Disconnect hood circuit breaker or fuse before performing **any** service.

"A" Models: JN322, JN334, JN325, JN624, JN635



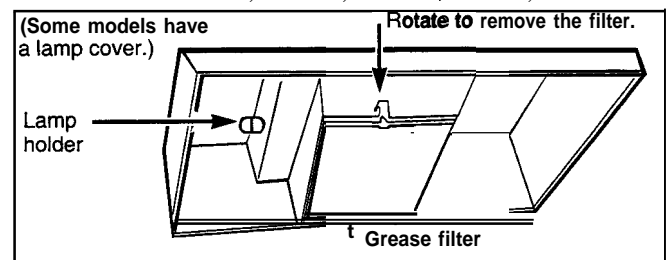
Your hood is equipped with a replaceable combination filter. When the fan is operated, air is drawn through the filter and discharged into the room through the hood.

"B" Models: JV322, JV324 & JV624



Your hood is equipped with a metal grease filter. When the fan is operated, air is drawn through the filter and discharged to the outside.

"C" Models: JV332, JV334, JV335, JV634, JV635

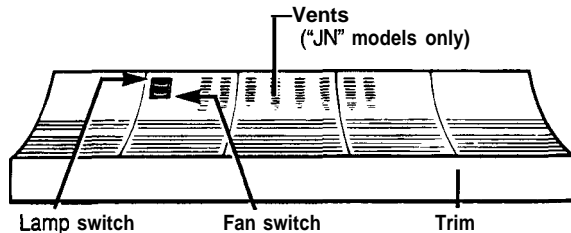


Your hood is equipped with a metal grease filter. When the fan is operated, air is drawn through the filter and discharged to the outside.

CAUTION-before operating the hood:

- Install the lamp bulb (not provided). See the Lamp Replacement instructions.
- Remove transparent protective film from the front trim.

To Operate



Lamp Switch Models: JN322, JV322 & JV332

Press for OFF and ON.

Lamp Switch All other models.

CENTER position OFF, LEFT position NIGHT LIGHT, RIGHT position BRIGHT LIGHT.

Fan Switch

CENTER position OFF, LEFT position LOW SPEED, RIGHT position HIGH SPEED.

To Maintain

Replaceable Filter "JN" models only

The efficiency of your hood depends upon a clean filter. The frequency of filter replacement depends on the type of cooking you do; however, with average, normal usage, replacement should be every 6 to 12 months.

NEVER OPERATE THE HOOD WITHOUT THE FILTER IN PLACE.

When to replace the filter: The filter has distinct color stripes of indicating material on the visible surface. It is TIME TO CHANGE when the stripes have either blended together or faded completely.

To remove: Turn the retaining clip to release the front of the filter. The filter will then slip out of the retaining tabs on the back.

To replace: Slip the back edge into the retaining tabs and lock in place with the retaining clip.

Replace with genuine GE part: filter part number WB02X8253 (JN322) or WB02X8254 (JN334, JN335, JN634, JN635).

Grease Filter "JV" models only

The efficiency of your hood depends on a clean filter. Frequency of cleaning depends on the type of cooking you do. BUT GREASE FILTER SHOULD BE CLEANED AT LEAST ONCE A MONTH. NEVER OPERATE THE HOOD WITHOUT THE FILTER IN PLACE.

To remove: Turn the retaining clip to release the edge of the filter. The filter will then slip out of the retaining tabs.

To clean: Soak and then agitate in a hot detergent solution. Light brushing may be used to remove imbedded soil. Rinse, shake and remove moisture before replacing.

With careful handling, the filter will last for years. If replacement becomes necessary, order the part from your dealer.

To replace: Slip the edge into the retaining tabs and lock in place with the retaining clip.

Hood

Clean grease laden surfaces of the hood frequently. Use warm detergent solution. About 1 tablespoon of ammonia may be added to the water. TAKE CARE TO NOT COME IN CONTACT WITH FILTERS AND OTHER NON-ENAMELED SURFACES. The hood shell can be washed, rinsed and dried with a soft cloth.

CAUTION: Be certain when cleaning the hood surfaces you do not touch the lamp bulb with moist hands or cloth. A warm or hot lamp bulb may break if touched with a moist surface. ALWAYS let lamp cool COMPLETELY before cleaning around it.

Motor and Fan

To Clean Motor and Fan

1. DISCONNECT THE HOOD POWER SUPPLY AT THE HOUSEHOLD DISTRIBUTION PANEL BY REMOVING THE FUSE OR SWITCHING OFF THE CIRCUIT BREAKER.
2. Remove the filter.
3. Wipe the fan blade and motor with cloth, dampened only in ammonia and warm water solution.
4. Replace the filter.
5. Reconnect the hood power supply.

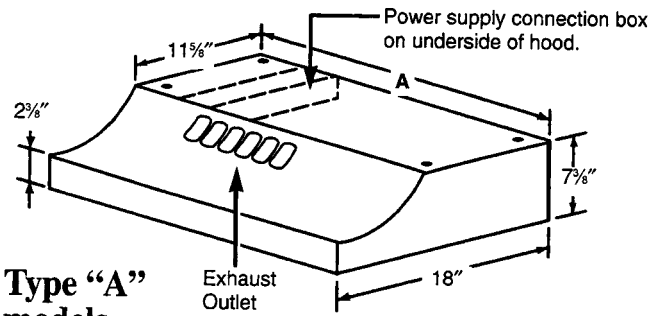
U.L. Requirement

WARNING: THE ELECTRICAL WIRING AND FAN MOTOR IN THIS RANGE HOOD ARE NOT INTENDED FOR USE WITH, OR PROVIDED WITH A SOLID STATE SPEED CONTROL. ANY SUCH ALTERATION FROM ORIGINAL FACTORY WIRING CONCEPT COULD RESULT IN DAMAGE TO THE UNIT AND/OR CREATE AN ELECTRICAL SAFETY HAZARD.

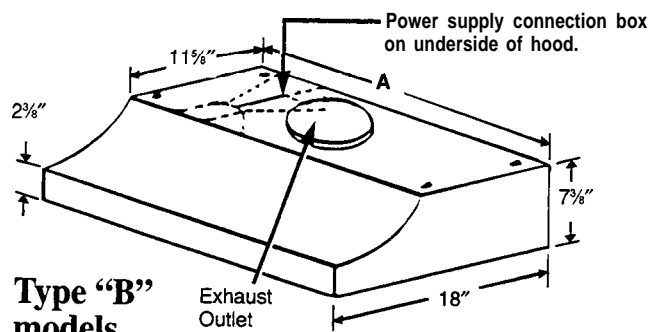
Installation Instructions for General Electric Hood

Models: JN322, JN334, JN335, JN634, JN635, JV322, JV324, JV332, JV334, JV335, JV624, JV634, JV635 Important-save for the local electrical inspector's use

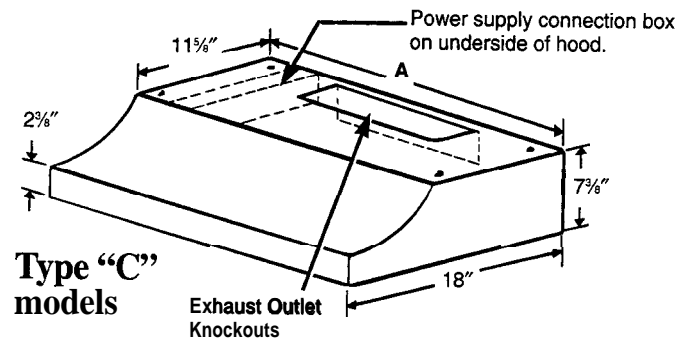
| Type A Models | A Width Dim. | Type B Models | A Width Dim. | Type C Models | A Width Dim. |
|-------------------------|--------------|----------------|--------------|-------------------------|--------------|
| JN322 JN334 JN335 | 30" | JV322 JV324 | 30" | JV332 JV334 JV335 | 30" |
| JN634 JN635 | 36" | JV624 | 36" | JV634 JV635 | 36" |



Type "A" models



Type "B" models



Type "C" models

1. PREPARATION OF WALL CABINET AND WALL

NOTE: For easier installation make all hood and vent cutouts in the cabinet and wall before cabinet is permanently fastened in place. It is recommended that the power supply be brought into the hood from the wall below the cabinet as shown in Fig. 1. However, an optional location is shown in Fig. 2, where the power supply enters the top of the hood by passing through the wall cabinet.

A. WALL CABINET WITH RECESSED BOTTOM:

Add the 2 required filler strips as shown in Fig. 3.

B. WALL CABINET WITH FLUSH BOTTOM:

In some cases it may be necessary to provide clearance for the connection box cover mounting screw which extends slightly through the top of the hood. Clearance can be provided, if necessary, by carefully positioning the hood against the bottom of the cabinet and marking the screw position; clearance may then be provided by drilling a 1/4" hole in the cabinet bottom.

FLUSH OR RECESSED BOITOM CABINET

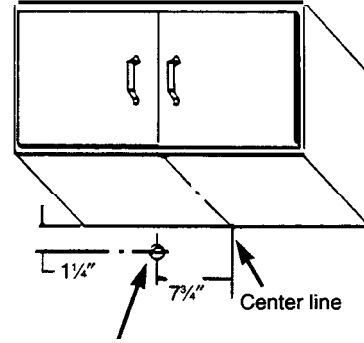


FIGURE 1

1/2" dia. clearance hole in wall for recommended power supply location

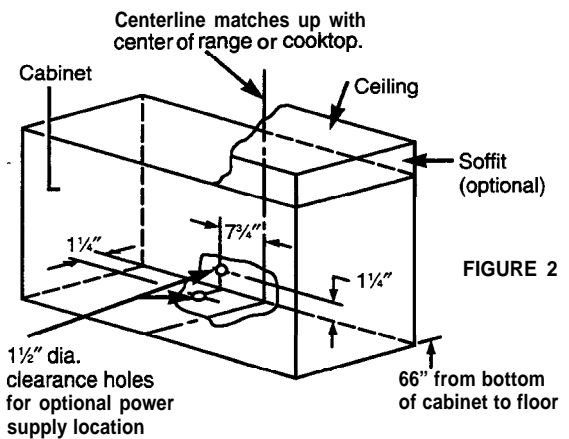


FIGURE 2

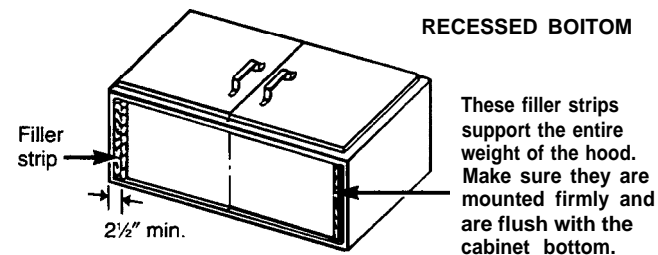


FIGURE 3

2. DUCT INSTALLATION

Type "B" Models: See Figs. 4 and 9.

The hood exhaust has been designed to mate with standard 7" round duct. (A round damper kit may be ordered. Order GE model number JXDA22.)*

- If a rectangular duct is desired, a round-to-rectangular adapter must be used. Install a 4" minimum length of 7" round duct between the hood and adapter to obtain proper operation of the outlet damper.
- If 6" round duct is desired, a 7" to 6" reducer is required. Install a 4" minimum of 7" round duct between the hood and reducer to obtain proper operation of the outlet damper.

Type "C" Models: See Figs. 5, 6 and 10.

The hood exhaust has been designed to mate with a standard 3 1/4" x 10" rectangular duct. If round duct is desired either of the following methods must be used:

- Install a 4" minimum length of rectangular duct between the hood and adapter to obtain proper operation of the outlet damper, or
- Cut off both corners of outlet damper at score lines. Installation may then be made directly to rectangular-to-round adapter.

CAUTION: If rear or horizontal exhaust is to be used, care should be taken to align exhaust with space between 2 studs, or wall should be prepared at the time it is constructed, by leaving enough space between wall studs to accommodate exhaust.

MAXIMUM DUCT LENGTH: For satisfactory air movement (CFM) the total duct length should not exceed 65 equivalent feet of 3 1/4" x 10" rectangular duct. Equivalent feet are defined as total feet straight duct plus equivalent feet of elbows, transitions, wall caps, etc. Figure 7a shows the approximate equivalent feet of some typical round (6" dia.) duct elements and rectangular (3 1/4" x 10") duct elements.

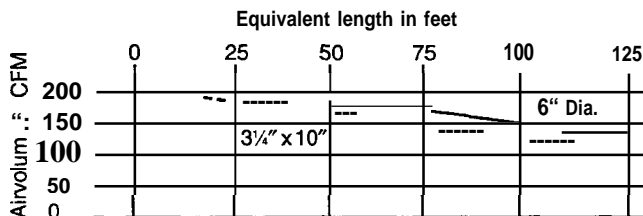


FIGURE 7b

| Duct Pieces | Equivalent Length | Number Used | Total Equivalent Length |
|---|-------------------|--------------|-------------------------|
| 6" round, straight | 5 | feet | |
| 3 1/4" X 10" straight | 2.5 | feet | |
| 6", 90° elbow | 8 | | |
| 6" 45° elbow | 6.5 | | |
| 3 1/4" x 10" 90° elbow | 8.5 | | |
| 3 1/4" x 10" 45° elbow | 7 | | |
| 3 1/4" x 10" 90° flat elbow | 24 | | |
| 6" round to 3 1/4" x 10" transition | 5.5 | | |
| 3 1/4" x 10" to 6" round transition | 4.5 | | |
| 6" round to 3 1/4" x 10" transition 90° elbow | 14.5 | | |
| 3 1/4" x 10" to 6" round transition 90° elbow | 11.5 | | |
| 6" round wall cap with damper | 34 | 6 w/o damper | |
| 3 1/4" x 10" wall cap with damper | 45 | 7 w/o damper | |
| 6" round roof cap | 30 | | |

• To order call: your local GE dealer, GE Service & Parts Center (see the telephone white pages) or the GE Answer Center, 1-800-626-2000.

FIGURE 7a

Flush or recessed bottom cabinet

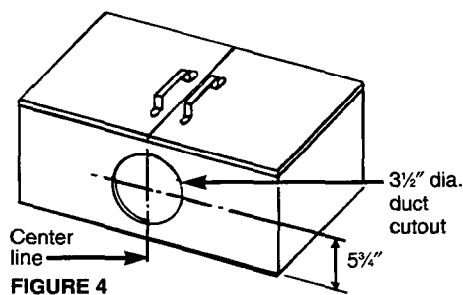


FIGURE 4

Flush or recessed bottom cabinet

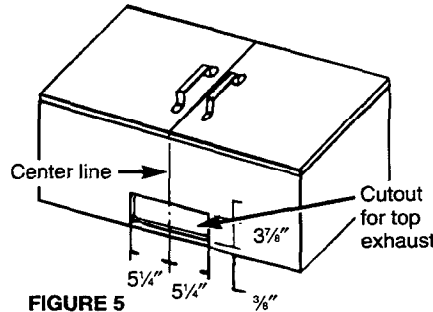


FIGURE 5

Flush or recessed bottom cabinet

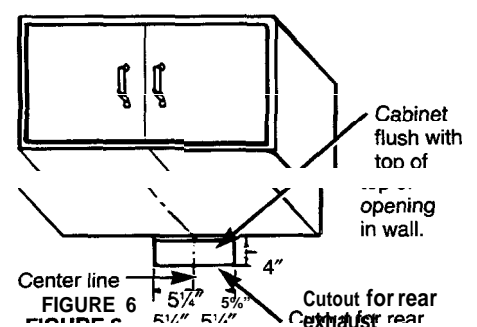


FIGURE 6

3. POWER SUPPLY

- A. **CIRCUIT VOLTAGE:** This hood must be connected to a supply circuit of the proper voltage and frequency as specified on the rating plate. Wire size must conform to the requirements of the National Electrical Code or the prevailing local code for hoods of this rating. The rating plate is located on the rear wall of the hood.
- B. **FUSE RATING:** 15 amps.
- C. Unless otherwise specified by local codes, bring a 15 amp 2 wire circuit with ground to the area of the power supply connection box.
- D. **USE OF OPTIONAL TOP POWER SUPPLY:** The power supply can be attached through the top knockout if desired, but only the top or back knockout shall be opened (See Figs. 8, 9 and 10).

Exhaust outlet connects to 3/4" x 10" rectangular duct; outlet has TOTAL ADJUSTMENT of 1/2" from side to side to simplify duct alignment.

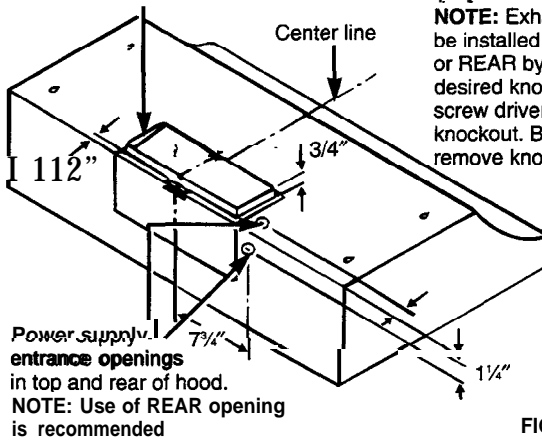


FIGURE 10

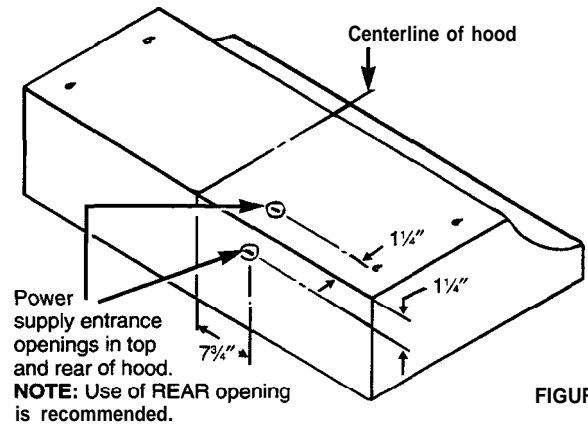


FIGURE 8

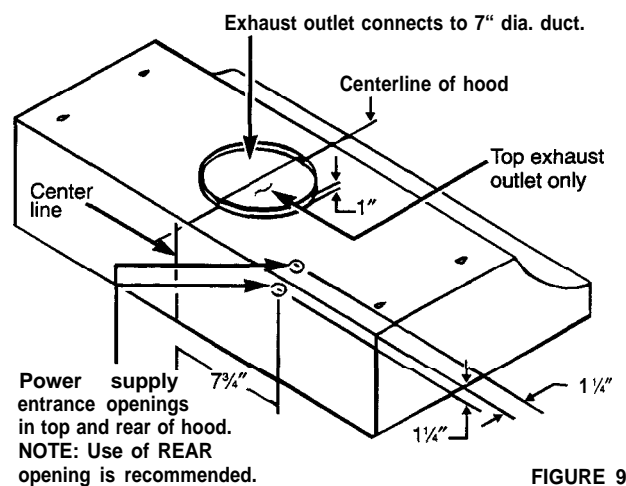


FIGURE 9

4. HOOD INSTALLATION

A. MECHANICAL

NOTE: When possible, it is more convenient to mount and wire the hood before the base cabinet is put in place.

1. Take out 1 screw and remove the power supply connection box cover located on the underside of the hood (see Fig. 14). (Models: JV322, JV324, and JV624)
2. To locate the 4 mounting holes, position the hood carefully against the bottom of the wall cabinet and mark the screw positions through the keyhole slots in the hood. Drill 3/32" pilot holes for the mounting screws in the small end of the keyhole.
3. Partially drive the 4 mounting screws so that the heads of the screws extend 1/2" below the bottom of the cabinet. Raise the hood against the bottom of the cabinet, making sure that the heads of the mounting screws protrude through the hole section of the keyhole slots as shown in Fig. 11. Before tightening the mounting screws, attach the power supply cable to the hood. Then push the hood back against the wall and tighten the mounting screws.

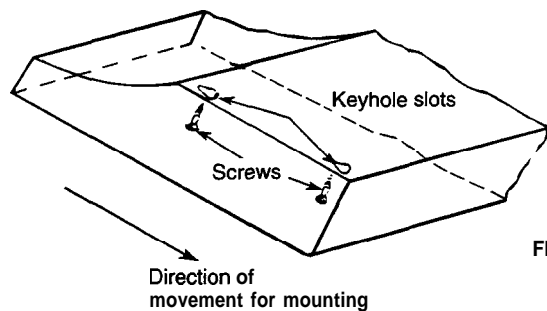


FIGURE 11

IMPORTANT: After installation, peel off the transparent protective film stripping from the decorative trim on the front of the hood. (See Fig. 12.)

B. ELECTRICAL CONNECTION

1. Be sure the power supply is disconnected before making electrical connections.
2. Remove the connection box cover located on the left side of the fan unit.
3. Attach the power supply through the knockout hole in the back or top of the hood.
4. Connect the colored incoming power supply lead to the stripped black lead and connect the incoming white neutral lead to the stripped white lead in the connection box as shown in Figs. 13 and 14. Make connections in the hood in accordance with local codes.

WARNING: IMPROPER CONNECTION OF ALUMINUM HOUSE WIRING TO THESE COPPER LEADS CAN RESULT IN A SERIOUS PROBLEM. USE ONLY CONNECTORS DESIGNED FOR JOINING COPPER TO ALUMINUM AND FOLLOW THE MANUFACTURER'S RECOMMENDED PROCEDURE CLOSELY.

5. A ground lug is provided for proper grounding of the hood frame. It is recommended that the hood frame be grounded in accordance with National Electrical Code and local codes (see Figs. 13 and 14).
6. All electrical connections should be inspected carefully before the power is turned on to make certain that none have come loose during shipment.
7. Reinstall the connection box cover.
8. Install a lamp (not supplied with hood in the socket.)
(CAUTION: Maximum wattage on the lamp should not exceed 60 watts.)

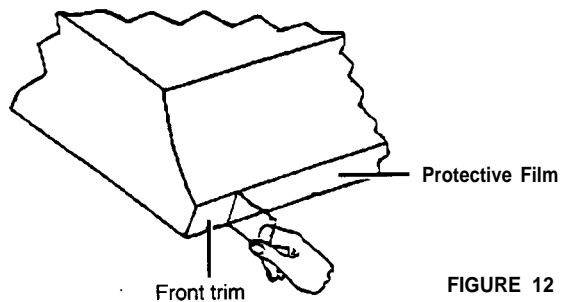


FIGURE 12

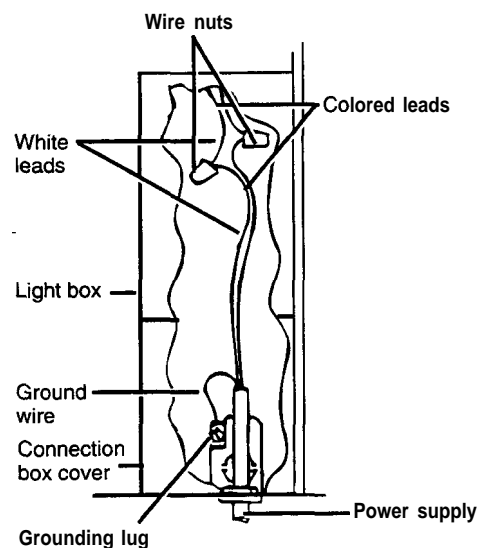


FIGURE 13

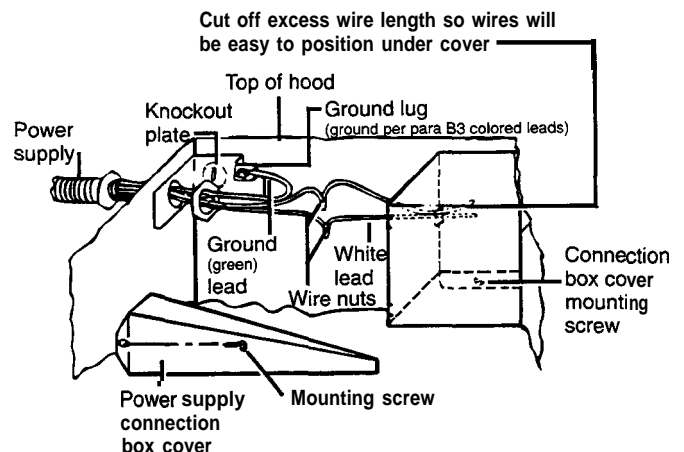
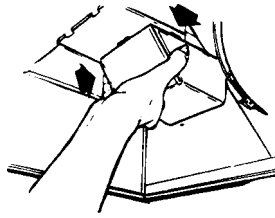


FIGURE 14

Lamp Replacement

Models JN334, JN335, JN634, JN635, JV324, JV334, JV335, JV624, JV634, JV635 have a lamp cover.

The lamp cover need not be removed for lamp removal or installation.



CAUTION: Let the lamp cool completely before removing. A warm or hot bulb may break if touched with a moist cloth or hand.

Remove the lamp and replace with an ordinary screw-base lamp bulb NOT MORE THAN 60 WATTS.

To remove the lamp cover, if desired:

- Press the sides with 2 fingers until the side prongs are released.
- Lift the lamp cover and slide towards you in one motion.

To replace the lamp cover:

- Insert the prong located at the end of the cover into the **top opening**.
- Gently push the cover up and press the sides to fit the side prongs into the side openings.
- Release and the cover will lock in position.

Questions? Use This Problem Solver

| PROBLEM | POSSIBLE CAUSE |
|---|---|
| FAN DOES NOT OPERATE WHEN THE SWITCH IS ON | <ul style="list-style-type: none">• A fuse may be blown or a circuit breaker tripped. Replace fuse or reset circuit breaker. |
| FAN FAILS TO CIRCULATE AIR | <ul style="list-style-type: none">. Fan blade striking the hood shell.• Excessively soiled filter should be checked and corrected before using the hood again. |
| FAN OPERATES BUT MOVES AIR SLOWER THAN NORMAL | <ul style="list-style-type: none">• Check to be sure the filter is clean. If replacing the filter does not correct the problem, call for service. |
| FAN KEEPS GOING OFF AND ON | <ul style="list-style-type: none">• The motor is probably overheating and turning itself off. This can be harmful to the motor. Check to be sure the filter is clean. If off and on cycling continues, call for service. |

If you need more help... call, toll free:

GE Answer Center®

800.626.2000

consumer information service

Help Us Help You...

Write down the model and serial numbers.

You'll find them on a label on the back wall of the hood. These numbers are also on the Consumer Product Ownership Registration Card that came with your hood. Before sending in this card, please write these numbers here:

Model Number

Serial Number

Use these numbers in any correspondence or service calls concerning your hood.

If You Need Service

To obtain service, see your warranty on the back page of this book.

We're proud of our service and want you to be pleased. If for some reason you are not happy with the service you receive, here are 3 steps to follow for further help.

FIRST, contact the people who serviced your appliance. Explain why you are not pleased. In most cases, this will solve the problem.

NEXT, if you are still not pleased, write **all** the details-including your phone number—to:

Manager, Consumer **Relations-GE** Appliances
Appliance Park
Louisville, KY 40225

FINALLY, if your problem is still not resolved, write:

Major Appliance Consumer Action Panel
20 North **Wacker** Drive
Chicago, IL 60606

YOUR RANGE HOOD WARRANTY

Staple sales slip or cancelled check here. Proof of original purchase date is needed to obtain service under warranty.

WHAT IS COVERED

FULL ONE-YEAR WARRANTY

For one year from date of original purchase, we will provide, free of charge, parts and service labor in your home to repair or replace **any part of the** hood that fails because of a manufacturing defect.

This warranty is extended to the original purchaser and any succeeding owner for products purchased for ordinary home use in the 48 mainland states, Hawaii and Washington, D.C. In Alaska the warranty is the same except that it is LIMITED because you must pay to ship the product to the service shop or for the service technician's travel costs to your home.

All warranty service will be provided by our Factory Service Centers or by our authorized Customer Care® servicers during normal working hours.

Should your appliance need service, during warranty period or beyond, call 800-GE-CARES (800-432-2737).

WHAT IS NOT COVERED

- Service trips to your home to teach you how to use the product.

Read your Use and Care material.

If you then have any questions about operating the product, please contact your dealer or our Consumer Affairs office at the address below, or call, toll free:

GE Answer Center®
800.626.2000
consumer information service

- Improper installation.

If you have an installation problem, contact your dealer or installer. You are responsible for providing adequate electrical, gas, exhausting and other connecting facilities as described in the Installation Instructions provided with the product.

- Replacement of the replaceable filters.

- Replacement of house fuses or resetting of circuit breakers.

- Failure of the product if it is used for other than its intended purpose or used commercially.

- Damage to product caused by accident, fire, floods or acts of God.

WARRANTOR IS **NOT**
RESPONSIBLE FOR
CONSEQUENTIAL DAMAGES.

Some states do not allow the exclusion or limitation of incidental or consequential damages, so the above limitation or exclusion may not apply to you. This warranty gives you specific legal rights, and you may also have other rights which vary from state to state. To know what your legal rights are in your state, consult your local or state consumer affairs office or your state's Attorney General.

Warrantor: General Electric Company

**If further help is needed concerning this warranty, write:
Manager-Consumer Affairs, GE Appliances, Louisville, KY 40225**

Part No. 164D2588P257

Pub No. 49-8456

D-945-598-O

JN322

JN334

JN335

JN634

JN635

JV322

JV324

JV332

JV334

JV335

JV624

JV634

JV635

Free Manuals Download Website

<http://myh66.com>

<http://usermanuals.us>

<http://www.somanuals.com>

<http://www.4manuals.cc>

<http://www.manual-lib.com>

<http://www.404manual.com>

<http://www.luxmanual.com>

<http://aubethermostatmanual.com>

Golf course search by state

<http://golfingnear.com>

Email search by domain

<http://emailbydomain.com>

Auto manuals search

<http://auto.somanuals.com>

TV manuals search

<http://tv.somanuals.com>