

INSTRUCTIONS - PARTS LIST



*307-051

APRIL 1974

Supersedes OCT. 1973

IMPORTANT

INSTRUCTION MANUAL 306-997 contains
IMPORTANT WARNINGS and INSTRUCTIONS
READ and UNDERSTAND

This manual contains IMPORTANT
WARNINGS and INSTRUCTIONS
READ AND RETAIN FOR REFERENCE

30:1 PRESIDENT *Hydra-Spray*[®]

SIPHON STAND and SIPHON CART "Airless" PAINT SPRAYERS

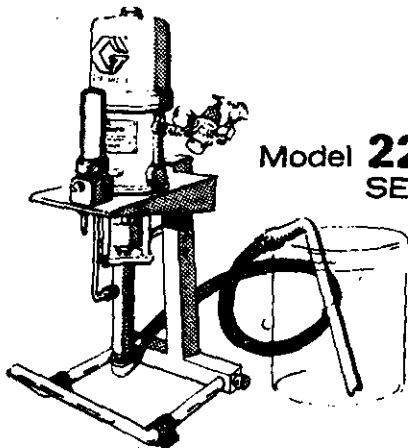
3600 PSI -- 248 bar -- MAXIMUM WORKING PRESSURE

- 30:1 ratio pump delivers up to 1.67 gpm at up to 3600 psi. Supplies one spray gun with up to a .041 in. orifice tip, or two guns with up to .029 in. orifice tips.
- Pumps from original containers.
- Outlet filter with 60 mesh screen.
- TECHNICAL DATA on back page.
- ACCESSORIES page 4 and 5.

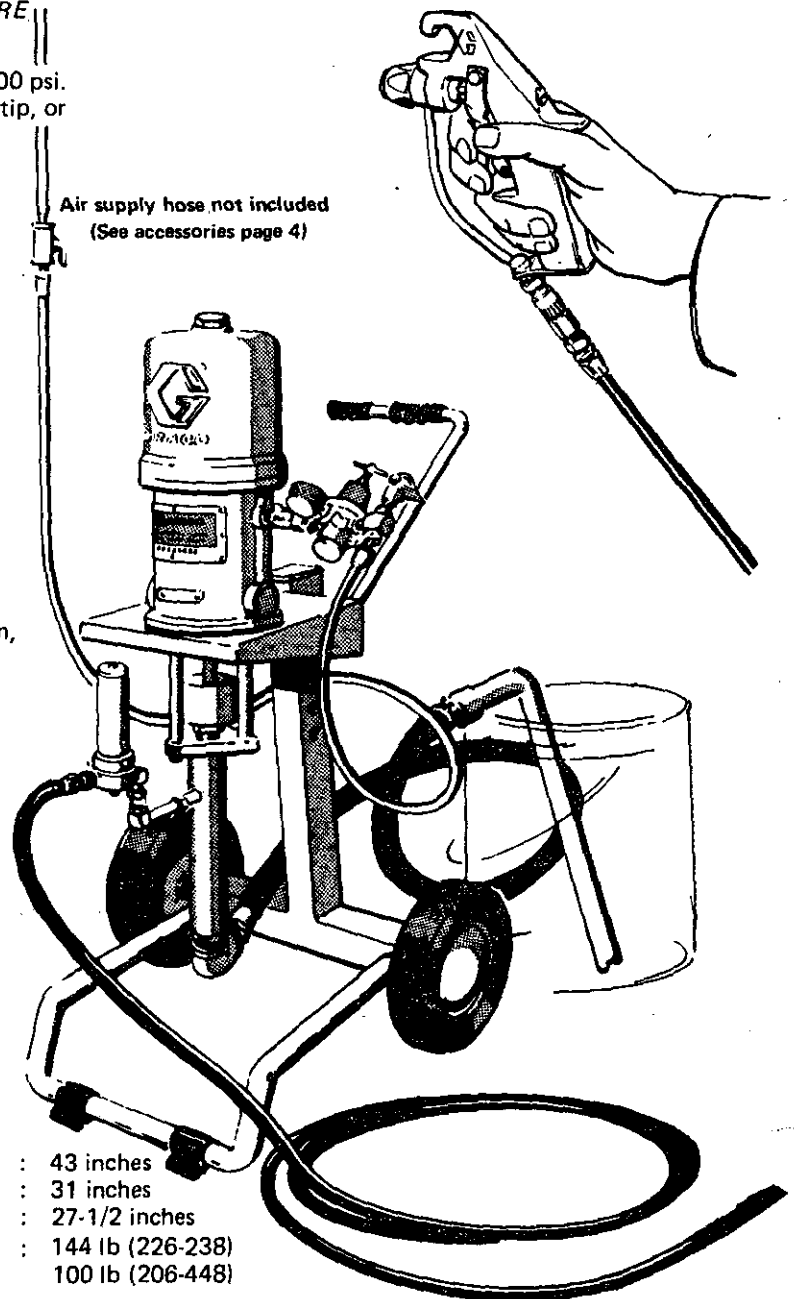
Model **226-238**
SERIES "D"

Model **206-448**
SERIES "D"
(Same as 226-238 less gun,
swivel, hose and tip)

Model **226-185**
SERIES "B"



Height : 40 inches
Width : 22 inches
Depth : 24 inches*
Weight : 89 lb



Height : 43 inches
Width : 31 inches
Depth : 27-1/2 inches
Weight : 144 lb (226-238)
100 lb (206-448)

* Supersedes 306-742 and 306-801 covering early units

GRACO INC. P.O. BOX 1441 Minneapolis, MN 55440

INSTALLATION

PREPARING FOR USE

Operating instructions and safety warnings are given in separate manual 306-997; service instructions are given in the manuals for the separate components.

CONNECTING HOSES

Connect fluid hose to nipple on outlet manifold. Do not use thread sealer. Connect spray gun to swivel.

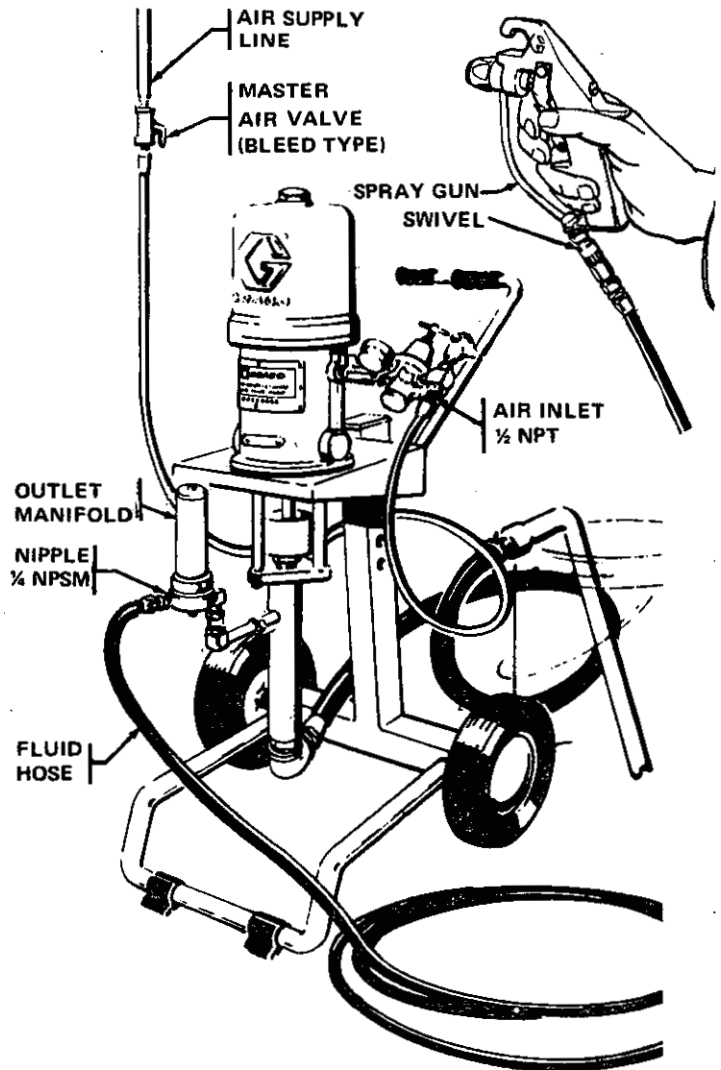
WARNING

NEVER exceed 120 psi (8 bar) air pressure to pump. At 120 psi, the pump develops up to 3600 psi (248 bar) fluid pressure. Be sure that any hose, valve, etc., that you use will withstand the pressures developed.

Connect a 1/2 ID static grounded air hose to the 1/2 npt air inlet union. You should have a bleed type master air valve in your air supply line so that you can shut off air before it reaches unit.

Flush unit as described in 306-997. If you have the stationary unit, install the filter conversion kit. Refer to manual 306-812 for instructions.

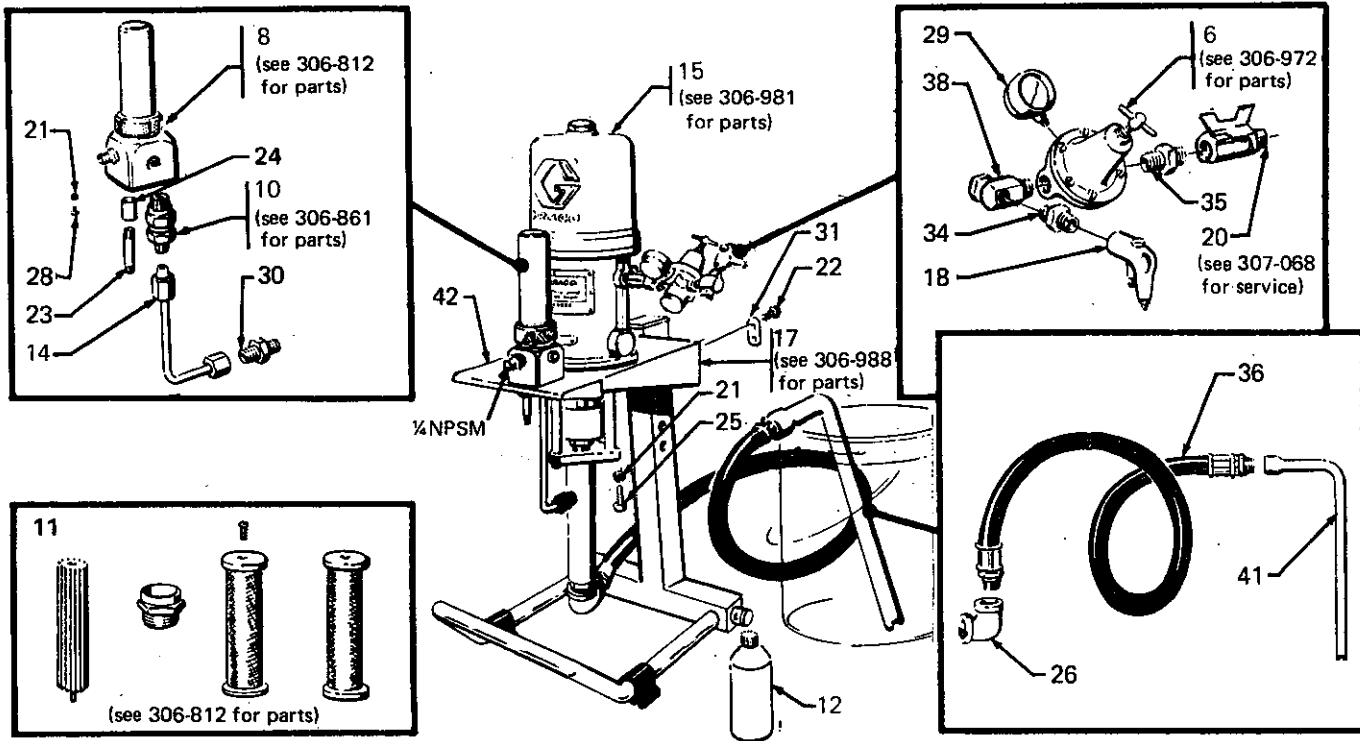
Troubleshooting and service instructions are given in 306-997 and the separate manuals for each component assembly.



PARTS DRAWING

30:1 PRESIDENT HYDRA-SPRAY (SIPHON STAND)

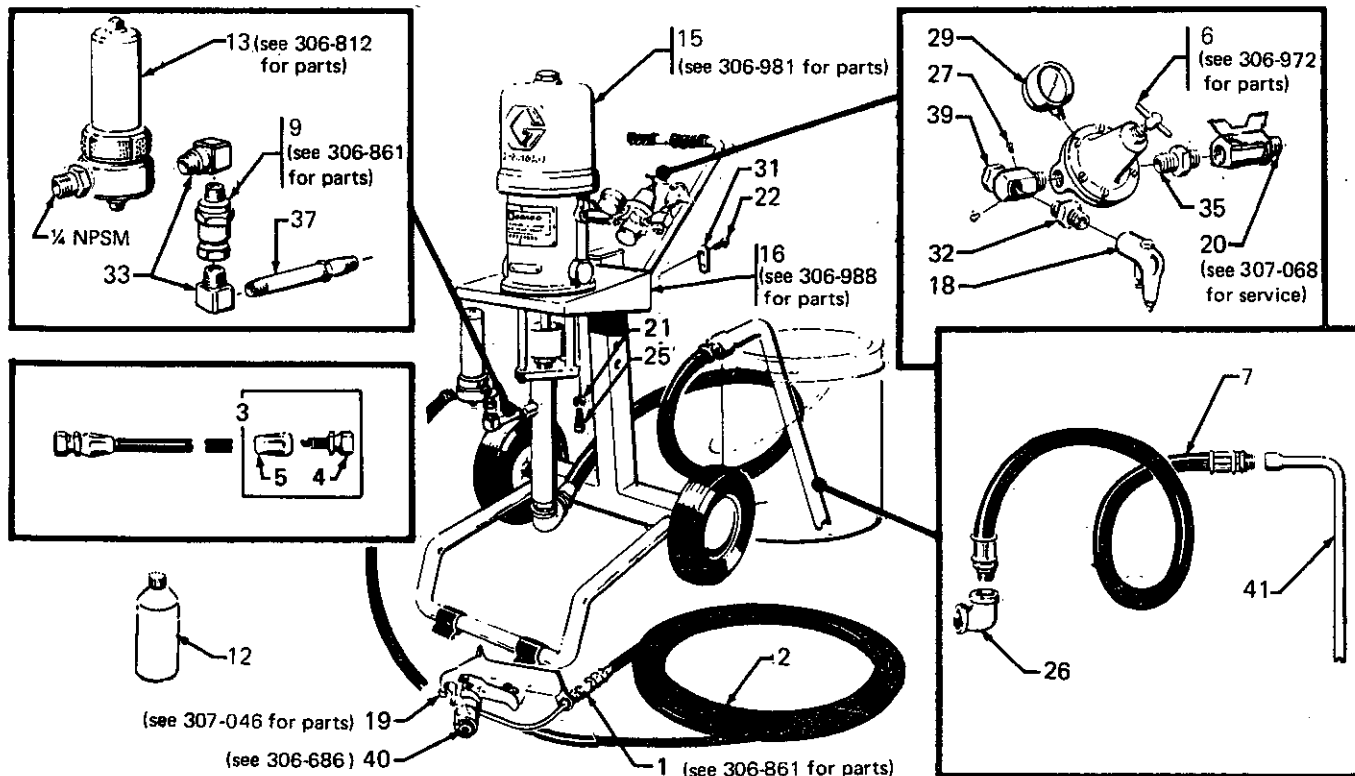
Model 226-185 Series "B"



30:1 PRESIDENT HYDRA-SPRAY (SIPHON CART)

Model 226-238 Series "D"

Model 206-448 Series "D" (Same as 226-238 less hose, swivel, gun and tip)



Model 226-185 Series "B"

Includes items 6, 8, 10-12, 14, 15, 17, 18, 20-26, 28-31
34-36, 38, 41, 42

Model 226-238 Series "D"

Includes items 1, 2, 6, 7, 9, 12, 13, 15, 16, 18-20, 2 of
item 21, 22, 25-27, 29, 31-33, 35, 37, 39-41

Model 206-448 Series "D"

Includes items 6, 7, 9, 12, 13, 15, 16, 18, 20, 2 of item 21,
22, 25-27, 29, 31-33, 35, 37, 39, 41

PARTS LIST

REF PART NO. NO.	DESCRIPTION	QTY.	REF PART NO. NO.	DESCRIPTION	QTY.
1 *204-940	SWIVEL (see 306-861 for parts)	1	18 208-627	BLOW GUN	1
2 *205-492	FLUID HOSE Assy, nylon w/grnd wire, 1/4 id, 25 ft., cpld 1/4 npsm(f) swivel, replaceable part, item 3		19 208-663	HYDRA-SPRAY GUN (see 307-046 for parts)	1
3 205-493	REUSEABLE COUPLING Assy. Includes items 4 and 5	2	20 208-630	BALL VALVE(see 307-068 for service)	1
4 205-494	STUD, 1/4 npsm(f)	2	21 100-016	LOCKWASHER, spring, 1/4 screw size	6
5 164-625	SLEEVE	2	22 100-055	DRIVE SCREW	2
6 206-197	AIR REGULATOR (see 306-972 for parts)	1	23 100-124	NIPPLE, pipe, 1/4 npt x 2 1/2"	1
7 206-297	HOSE, cpld, 1/4 npt(mbe), 1/4 id, 3 1/2 ft.	1	24 100-175	COUPLING, pipe, 1/4 npt	1
8 206-482	FILTER (see 306-812 for parts)	1	25 100-270	CAPSCREW, hex hd, 1/4-20 x 5/8	2
9 206-831	CHECK VALVE (see 306-861 for parts)	1	26 100-349	ELBOW, 90°, 1/4 npt(fbe)	1
10 206-835	CHECK VALVE (see 306-861 for parts)	1	27 100-403	PLUG, pipe, square head, 1/8 npt	2
11 206-979	FILTER CONVERSION KIT (see 306-812 for parts)	1	28 100-609	SCREW, mach, rd hd, 1/4-20 x 3/8	4
12 206-994	THROAT SEAL LUBRICANT, 1 pint	1	29 101-180	GAUGE, air, 0-200 lb, 1/4 npt(m)	1
13 207-277	FILTER (see 306-812 for parts)	1	30 101-958	MALE CONNECTOR, 3/8 od tube x 3/8 npt (m)	1
14 207-701	RISER TUBE	1	31 150-707	SERIAL PLATE	1
15 207-707	30:1 PRESIDENT PUMP (see 306-981 for parts)	1	32 151-519	NIPPLE, reducing, 1/4 to 1/8 npt	1
16 208-210	UNIVERSAL MOUNTING STAND, portable (see 306-988 for parts)	1	33 155-699	ELBOW, 90°, 3/8 npt (m x f)	2
17 208-211	UNIVERSAL MOUNTING STAND, stationary (see 306-988 for parts)	1	34 156-971	NIPPLE, pipe, short, 1/4 npt	1
			35 159-239	NIPPLE, reducing, 1/2 to 3/8 npt	1
			36 160-049	HOSE, cpld, 1/4 npt(mbe), 1/4 id, 6 ft.	1
			37 160-790	NIPPLE, adapter, 3/8 npt; 3 - 5/8" lg	1
			38 161-262	MANIFOLD, 1/2 npt(m) x 1/2 npt(f) swivel, 1/4 npt hole tapped in body	1
			39 162-376	MANIFOLD, 1/2 npt(m x f), 90° swivel, 3 holes (1/8 npt) in body	1
			40 *163-???	SPRAY TIP, std. (see 306-686)	1
			41 165-767	SUCTION TUBE, 3/8 npt, 18"	1
			42 169-558	PLATE, adapter	1

NOTE: 306 & 307 Numbers in description refer to separate instruction manuals.

*** SUGGESTED REPLACEMENT PARTS**

Order parts by number and name. Also give series letter and model number for which parts are ordered. Call or write your Graco distributor, nearest Graco factory branch or service depot for parts or service.

SERVICE INFORMATION

Listed below by the assembly changed are OLD and NEW parts.

ASSEMBLY CHANGED	PART DESIGNATION	REF NO.	PART NO.	NAME
226-238	OLD		208-327	Spray Gun
FINAL Assy	NEW	19	208-663	Spray Gun
ALL	OLD		207-919	Ball Valve
FINAL Assy	NEW	20	208-630	Ball Valve

INTERCHANGEABILITY NOTE: NEW parts replace OLD parts listed directly above them.


ACCESSORIES

(Must be purchased separately)

Air Supply Hose

Air hose with static ground wire for connecting air supply to unit.

½ in. id; coupled ½ NPT(MBE).




PART NO.	LENGTH
205-418	6 ft.
205-216	15 ft.
205-273	25 ft.
208-594	50 ft.

Fluid Hoses, Static Grounded Nylon

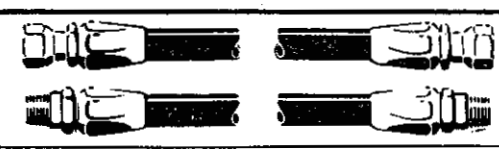
Stainless Steel braid cover.

¼ in. id; coupled ¼ NPSM(F)



PART NO.	LENGTH
207-880	15 ft.
207-881	25 ft.
207-882	50 ft.

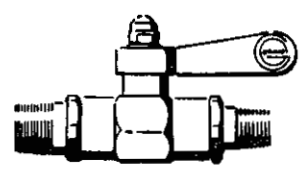
Fluid Hoses, Static Grounded Nylon



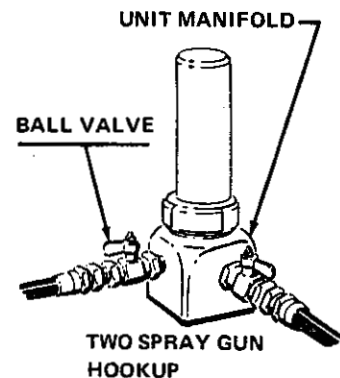
PART NO.	I.D.	LENGTH	THD. SIZE
206-787	1/8"	2'	¼" NPSM (F)
205-492	¼"	25'	¼" NPSM (F)
205-616	¼"	50'	¼" NPSM (F)
205-776	3/8"	25'	3/8" NPT (M)
205-777	3/8"	50'	3/8" NPT (M)

High Pressure Ball Valves

For two gun hookup with individual line control.



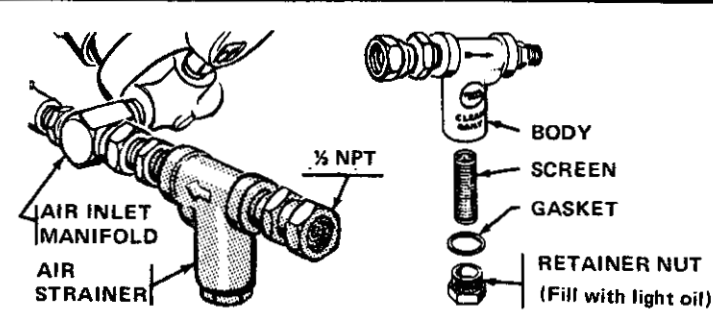
PART NO.	THD. SIZE
205-757	¼ NPT (M) Both ends



UNIT MANIFOLD
BALL VALVE
TWO SPRAY GUN HOOKUP

Air Strainer 204-999

Can be attached to air inlet manifold of unit. Has ½-in. swivel union for connection of air supply hose and a removable 60 mesh screen for filtering air to pump.



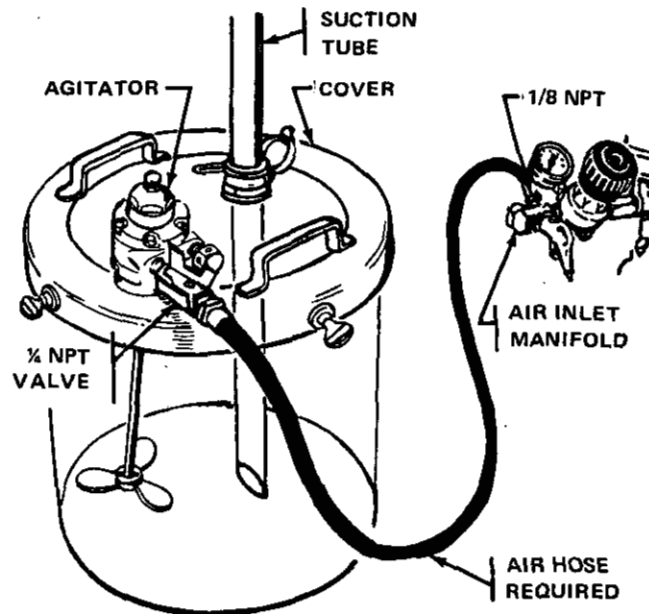
AIR INLET MANIFOLD
AIR STRAINER
½ NPT
BODY
SCREEN
GASKET
RETAINER NUT (Fill with light oil)

ACCESSORIES

(Must be purchased separately)

Cover Mounted Agitator 226-086

Fits 5-gallon pails for agitation of paint in original shipping container. Has port for inserting suction tube. Requires air hose for connecting air supply to agitator.

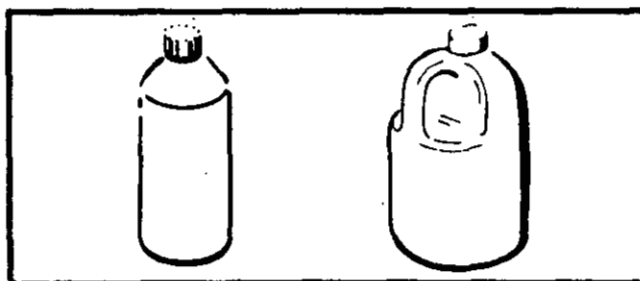


TSL THROAT SEAL LUBRICANT

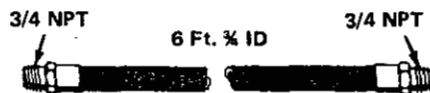
206-995 1 quart non-evaporation solvent for wet cup.

206-996 1 gallon size

WARNING: Not for use in rubber packed or food pumps, air line oilers or air motors.



Suction Hose 160-049 or 204-729

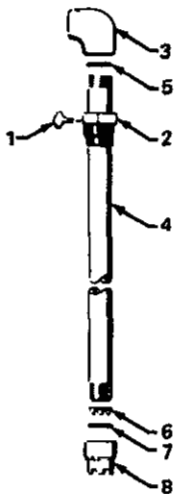


(See text for use)

Suction Tube 206-266

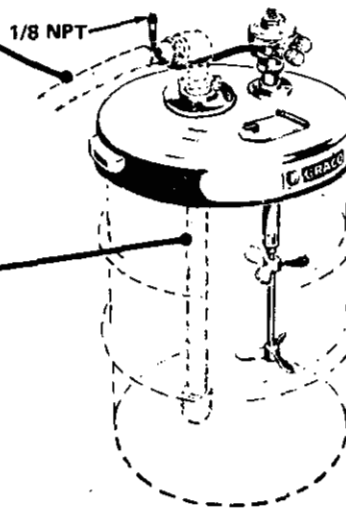
55 gal drum size

REF NO.	PART NO.	DESCRIPTION	QTY.
1	100-220	THUMBSCREW	1
2	150-994	ADAPTER, bung	1
3	156-591	ELBOW, 90° 3/4 NPT; 1 1/2-24 NS thd (Model 206-266)	1
4	156-592	TUBE, riser	1
5	156-593	SEAL, "o" ring	1
6	159-100	RETAINER, screen	1
7	161-377	SCREEN, filter	1
8	159-101	NUT, screen retain-er	1



COVER and AGITATOR 207-199

55 gal drum size (See manual 306-938)



NOTE

For continuous operation, agitator will require about 3 c.f.m. of additional free air.

For agitation of paint and suction directly from original 55-gallon shipping container.

6-ft. suction hose 160-049 is for petroleum base solvent flushing and water base materials:

204-729 is for hydrocarbon solvent flushing materials.

TECHNICAL DATA

Recommended air operating range	40 to 120 psi (3 to 8 bar)
Maximum recommended pump speed	104 cycles/min; 1.67 gpm for continuous operation
Air consumption	see below
Maximum working pressure	3600 psi (248 bar)
Air inlet size	½ NPT(F)
Fluid filter	60 mesh screen

AIR CONSUMPTION

Pump Delivery	CFM at 70 psi (5 bar)	CFM at 100 psi (7 bar)
1.67 gpm	42	54
1.0 gpm	28	36
.25 gpm	10	14

THE GRACO WARRANTY

Graco Inc. warrants all equipment manufactured by it and bearing its name to be free from defects in material and workmanship under normal use and service. Scope of this warranty extends to the original purchaser for a period of 12 months from the date of purchase and is applicable only when the equipment is installed and operated in accordance with factory recommendations. The warranty does not extend to damage or wear caused by misuse, abrasion, corrosion, negligence, accident, faulty installation or tampering in a manner to impair its normal operation.

In the event the equipment supplied by Graco Inc. is found to be defective within the above-stated 12-month period, Graco Inc. will repair or replace free of charge such defective parts if rendered prepaid to the factory or to an authorized Graco service agency and is found by Graco Inc.'s inspection to be truly defective in workmanship or material. In the event said material is deemed defective in workmanship or material, it will be corrected and shipped transportation prepaid within the continental U.S. If inspection of any such equipment by Graco Inc. does not disclose any defect in workmanship or material, repairs will be made at a reasonable charge. Purchased assemblies which are incorporated into Graco equipment, carry the manufacturer's regular warranty.

The foregoing warranties are exclusive, and are in lieu of all other warranties (whether written, oral or implied) including warranty of merchantability in other respects than expressly set forth above and warranty of fitness for a particular purpose. Except as herein provided, every form of liability for direct or consequential damages or loss is expressly excluded and denied.



Factory Branches: ATLANTA, CHICAGO(Broadview), CLEVELAND, DALLAS, DETROIT(Southfield), FT. LAUDERDALE, HOUSTON, LOS ANGELES, PHILADELPHIA(Levittown), ST. LOUIS(Maryland Heights), SOUTH SAN FRANCISCO, WEST CALDWELL(N.J.)
Subsidiary and Affiliate Companies: CANADA; ARGENTINA; BRAZIL; VENEZUELA; ENGLAND; FRANCE; GER- MANY; ITALY; SWITZERLAND; SWEDEN; HONG KONG; JAPAN

GRACO INC. P.O. BOX 1441 Minneapolis, MN 55440

307-051
May, 1971
Revised
Apr., 1974
PRINTED
IN
U.S.A.

Free Manuals Download Website

<http://myh66.com>

<http://usermanuals.us>

<http://www.somanuals.com>

<http://www.4manuals.cc>

<http://www.manual-lib.com>

<http://www.404manual.com>

<http://www.luxmanual.com>

<http://aubethermostatmanual.com>

Golf course search by state

<http://golfingnear.com>

Email search by domain

<http://emailbydomain.com>

Auto manuals search

<http://auto.somanuals.com>

TV manuals search

<http://tv.somanuals.com>