

## Instruction Manual

# Transceiver

309498H  
EN

249020, Series B, Transceiver with Full Line Matrix™ Software, North America  
249884, Series B, Transceiver with Full Line Matrix™ Software, Australia  
249021, Series B, Transceiver with Tank Level Monitor Software, North America  
249885, Series B, Transceiver with Tank Level Monitor Software, Australia  
117256, Series C, Transceiver without Software, North America  
120108, Series C, Transceiver without Software, Australia



### Important Safety Instructions

Read all warnings and instructions in this manual. Save these instructions.

For use with Matrix Total Fluid  
Management System Components



117256 shown

The Matrix Transceiver contains an RF device with the following approvals:



FCC ID: JHIGNET  
IC: 4840AGNET



Australian Vendor Code: N3845

### Industry Canada Statement

The term "IC" before the certification/registration number only signifies that the Industry Canada technical specifications were met.



PROVEN QUALITY. LEADING TECHNOLOGY.

# Contents

Manual Conventions .....	2	Troubleshooting .....	15
Warnings .....	3	Technical Data .....	16
Typical Transceiver Installations .....	4	Dimensions .....	17
Transceiver Connections .....	5	Mounting Bracket Hole Dimensions .....	17
Changing Dipswitch Settings .....	9	Graco Standard Warranty .....	18
Operation .....	13	Graco Information .....	18
Transceiver Parts .....	14		

# Manual Conventions

## Warning

 <b>WARNING</b>

<p><b>WARNING</b> indicates a potentially hazardous situation which, if not avoided, could result in death or serious injury.</p>

## Caution




<b>CAUTION</b>
<p><b>CAUTION</b> indicates a potentially hazardous situation which, if not avoided, may result in property damage or destruction of equipment.</p>

## Note

 A note indicates additional helpful information.

# Warnings

The following general warnings are related to the safe setup, use, grounding, maintenance and repair of this equipment. Additional more specific warnings may be found throughout the text of this manual where applicable.

 <b>WARNING</b>	
	<p><b>FIRE AND EXPLOSION HAZARD</b></p> <p>When flammable fluids are present in the work area, such as gasoline and windshield wiper fluid, be aware that flammable fumes can ignite or explode. To help prevent fire and explosion:</p> <ul style="list-style-type: none"> <li>• Use equipment only in well ventilated area.</li> <li>• Eliminate all ignition sources, such as cigarettes and portable electric lamps.</li> <li>• Keep work area free of debris, including rags and spilled or open containers of solvent and gasoline.</li> <li>• Do not plug or unplug power cords or turn lights on or off when flammable fumes are present.</li> <li>• Ground equipment.</li> <li>• Use only grounded hoses.</li> <li>• If there is static sparking or you feel a shock, <b>stop operation immediately</b>. Do not use equipment until you identify and correct the problem.</li> </ul>
	<p><b>EQUIPMENT MISUSE HAZARD</b></p> <p>Misuse can cause death or serious injury.</p> <ul style="list-style-type: none"> <li>• Do not exceed the maximum working pressure or temperature rating of the lowest rated system component. See <b>Technical Data</b> in all equipment manuals.</li> <li>• Use fluids and solvents that are compatible with equipment wetted parts. See <b>Technical Data</b> in all equipment manuals. Read fluid and solvent manufacturer's warnings.</li> <li>• Check equipment daily. Repair or replace worn or damaged parts immediately.</li> <li>• Do not alter or modify equipment.</li> <li>• For professional use only.</li> <li>• Use equipment only for its intended purpose. Call your Graco distributor for information.</li> <li>• Route hoses and cables away from traffic areas, sharp edges, moving parts, and hot surfaces.</li> <li>• Do not use hoses to pull equipment.</li> <li>• Comply with all applicable safety regulations.</li> </ul>

# Typical Transceiver Installations

It is recommended that you locate the transceiver in the main part of the shop, near the meters and/or tank level monitors. If the transceiver is mounted outdoors, it must be placed into a protective water proof, non-metallic outside housing. Be sure to comply with all applicable local, state, and national fire, electrical, and safety regulations.

## One -Transceiver Facility Layout

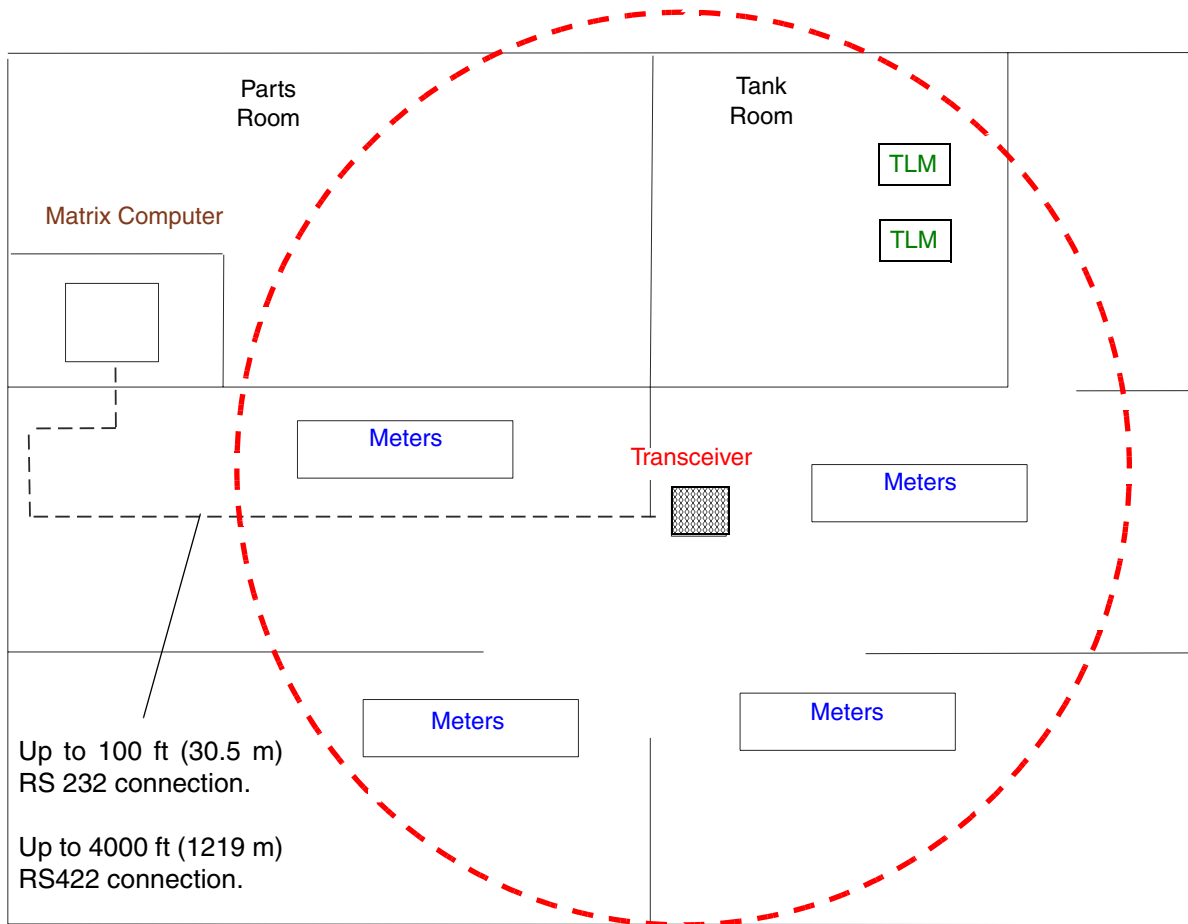


FIG. 1

## Two -Transceiver Facility Layout

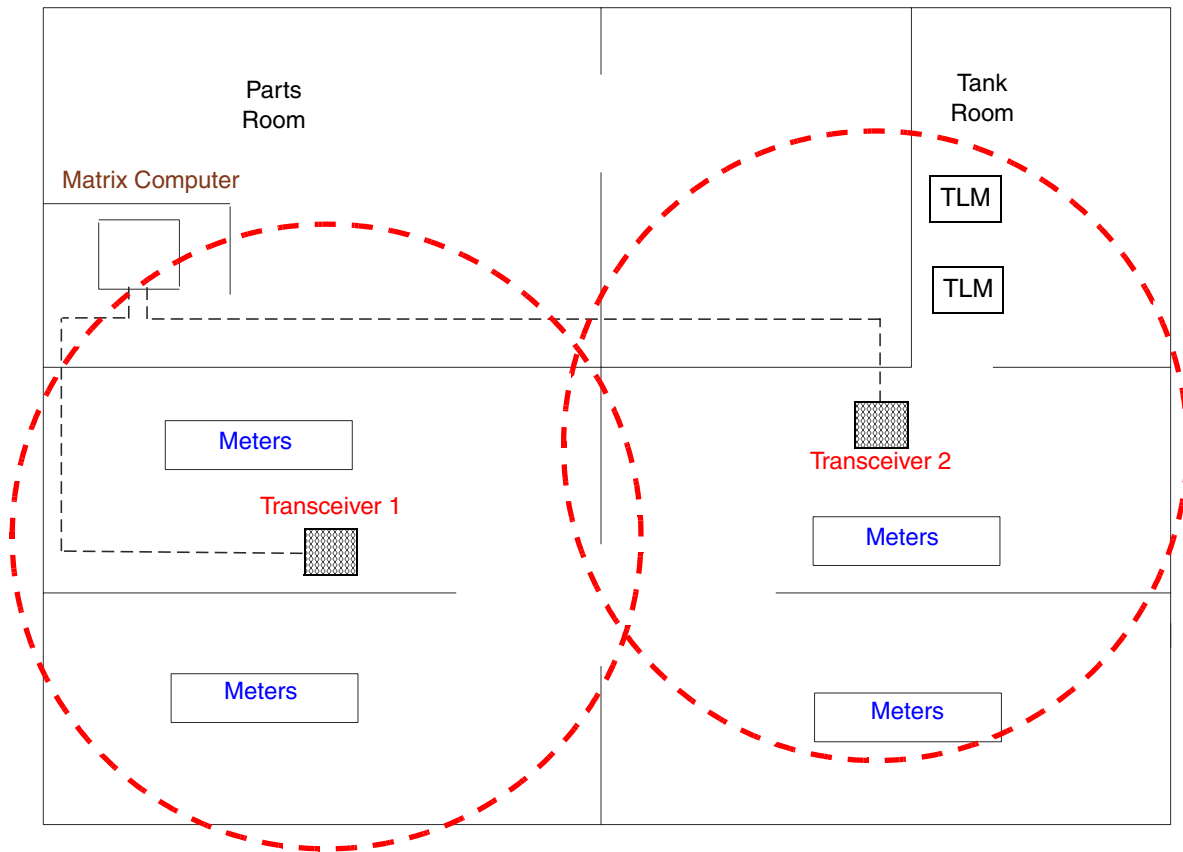


FIG. 2

## Transceiver Connections

**WARNING**

Read Warnings on page 3.

- Transceivers use a power transformer plugged into the power connector (A). See FIG. 3.
- The serial port connector (B) is used for the Transceiver to PC cable connection when RS232 cable is used to connect the transceiver to the Matrix PC. See **Transceiver Connection/Wiring** on page 6.
- The serial port connector (C) is used for the Transceiver to PC cable connection when RS422 cable and convertor is used to connect the transceiver to the Matrix PC. See **Transceiver Connection/Wiring** on page 6.

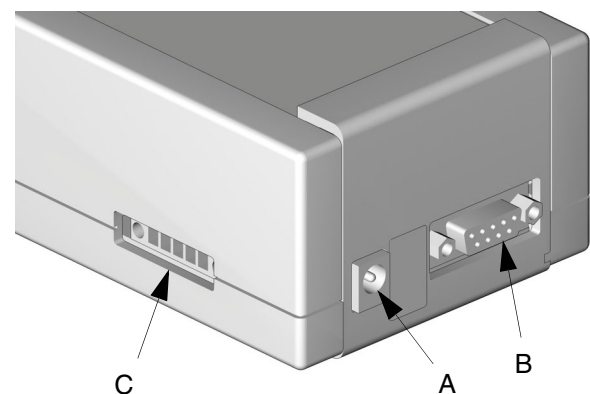


FIG. 3

## Transceiver Connection/Wiring

### CAUTION

Cable connections and wiring should always be done prior to powering on the transceiver.

There are two connection/wiring options for connecting the Transceiver(s) to the PC.

- **RS232** is for wiring distances of 100 ft (30.5 m) or less between the Transceiver and PC.
- **RS422** is for wiring distances up to 4000 ft. (1219 m) between the transceiver and PC.

### RS232 - 100 ft. (30.5 m) or less.

1. Connect the PC serial port (E) to the Transceiver serial port (B) using the 100 ft. (30.5 m) RS232 cable (D) (part no. 118346). **Do not cut** the cable (D) to remove any excess. Coil excess and place in out of way location. See FIG. 4.

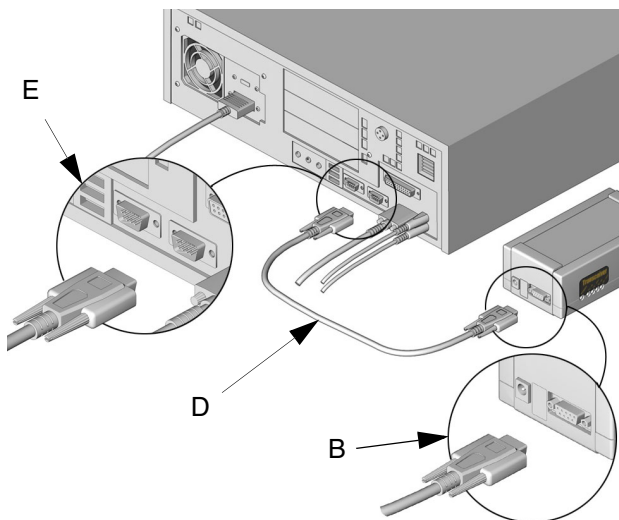


FIG. 4

2. Set dipswitch settings on the Transceiver prior to connecting the power transformer (see page 10 for RS232 dipswitch settings).
3. Plug the power into the Transceiver power inlet (A) and into a grounded 120 VAC power source. The green power light (H) will illuminate indicating the Transceiver is on. See FIG. 5.




FIG. 5

### RS422 - wiring distances up to 4000 ft (1219 m).


Parts needed to make this connection are:

- RS232 to RS422 converters (119435) will be required for each Transceiver in the system.
- (1) 249019 Connector kit (includes 10 RS422 connectors and 100 ferrules). To apply the ferrules to the wires, you will need crimping tool (15B902).

1. Attach the wires to the terminal block on the Converter and on the connector (P4). See FIG. 6.
2. With the connections made, plug and screw in the converter to the open serial port (E) on the PC. See FIG. 4.

 If your PC does not have enough serial ports for the Matrix Transceiver(s) connections, a USB converter must be used. Graco recommends using a 4-port or 8-port Edgeport USB converter depending on the number of Transceivers required for connection. These converters are not supplied by Graco. They can be purchased at B & B Electronics Manufacturing ([www.bb-elec.com](http://www.bb-elec.com)).

3. Plug and screw in the connector into the RS422 connection located on the transceiver (C). See FIG. 3.
4. Set dipswitch settings on the Transceiver prior to connecting the power transformer (see page 10 for RS422 dipswitch settings).
5. Plug the power into the Transceiver power inlet (A) and into a grounded 120 VAC power source in N.A. and a grounded 240 VAC power source in Australia. The green power light (H) will illuminate indicating the Transceiver is on. See FIG. 5.

 When the transceiver is powered on, it will go into a test mode and diagnostic light (J) will illuminate for about 10 seconds then shut-off. During this time the transceiver is not functional. See FIG. 5.

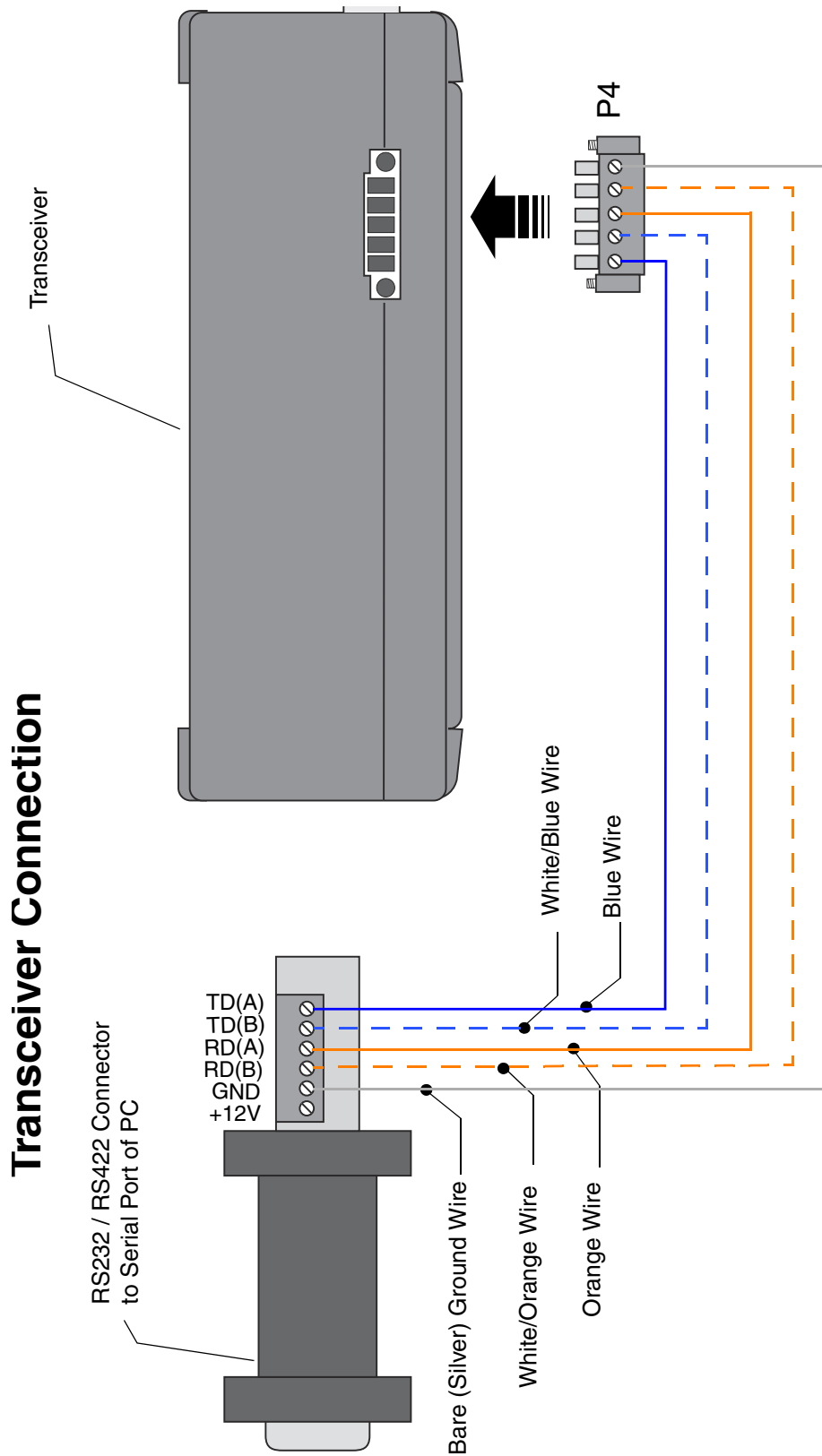


FIG. 6

## Transceiver Dipswitch Settings

Each is equipped with two, 4 - position dipswitches labeled S1 and S2. See FIG. 7.

- Network ID (S1):** This is the RF identification setting assigned to a Matrix installation. All components in the system use this same Network ID. For example, if one dealership is using Network ID (A), the dealership across the street would require Network ID (B) to avoid RF interference between the two systems.
- Transceiver ID (S2):** This is the RF identification setting assigned to a Matrix Transceiver(s). Matrix system components are then assigned to the Transceiver(s) ID's as desired for RF communication. For example, If a system required two Transceivers, some components would be assigned to one Transceiver and other components would be assigned to the second Transceiver using the Transceiver ID dipswitch.

There are (8) Network ID's and (8) Transceiver ID's possible by changing the position of the dipswitches. The eight positions are identified as A, B, C, D, E, F, G, and H.

The location of the dipswitches will change based on the hard-wired connection used between the Transceiver(s) and PC (RS232 vs. RS422).

The factory default setting for all Transceivers is (AA) using a RS232 connection. The first A refers to the Network ID and the second A refers to the Transceiver ID. If multiple Transceivers are used or if RS422 connection is used, the factory default settings will require changing.

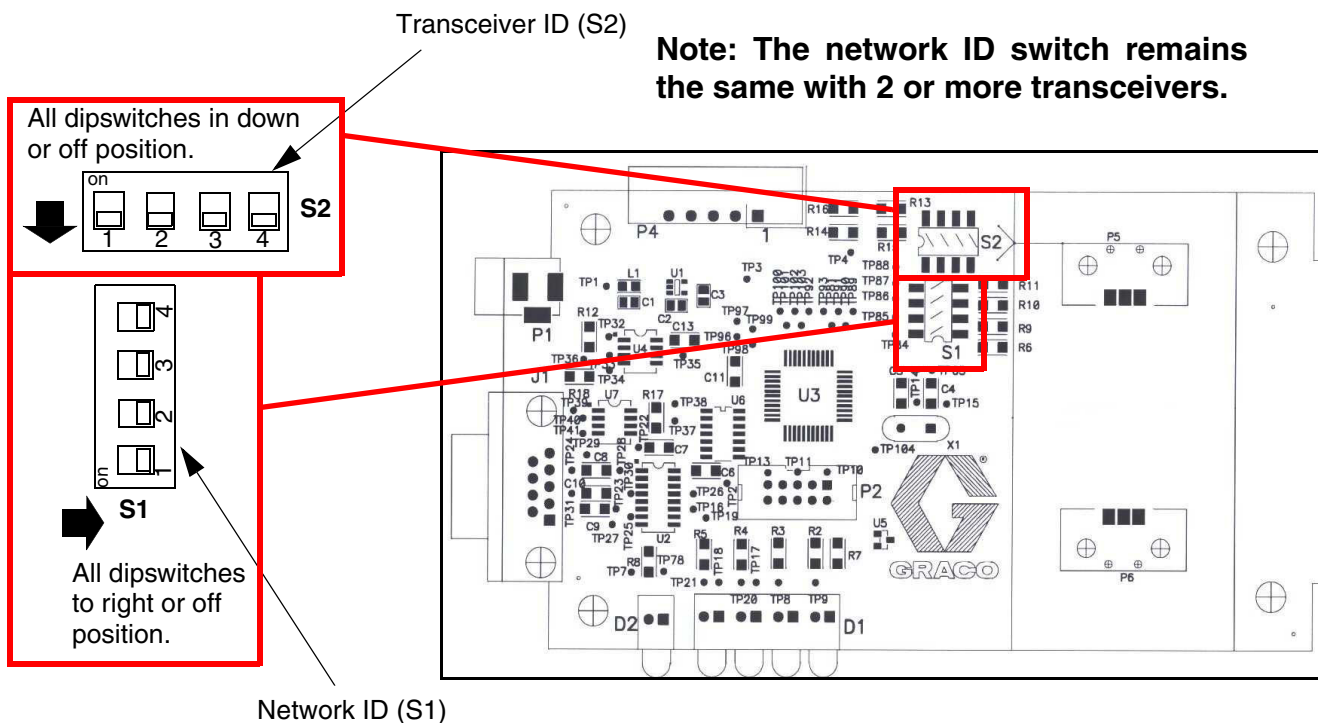



FIG. 7




# Changing Dipswitch Settings

Network ID and Transceiver ID dipswitch settings are made on the PC board. To access the board, the transceiver cover must be removed.

1. Remove power to the transceiver.

 All dipswitch settings must be made without power to the transceiver.

is the Network ID and the second letter is the Transceiver ID (i.e., AA).

 Transceivers are often mounted above the work environment. With the labels applied to the diagnostic light side of the transceiver box, the technician can more easily understand the Matrix ID configuration.

## Removing the Transceiver Cover

When necessary to change dipswitch settings remove the transceiver cover by:

1. Using a small screwdriver, push on the snap-locks (2) on one end of the Transceiver. See FIG. 8.
2. At the same time, slightly lift cover on the corresponding end of the Transceiver.
3. Repeat the process on the opposite side to remove the cover.
4. Set the appropriate dipswitch (S1 or S2). See FIG. 9.
5. Replace the cover by snapping the cover back on.
6. Labels with the letters A-H are provided with each Transceiver. These letters are applied to the outside of the Transceiver to identify its ID's. The first letter

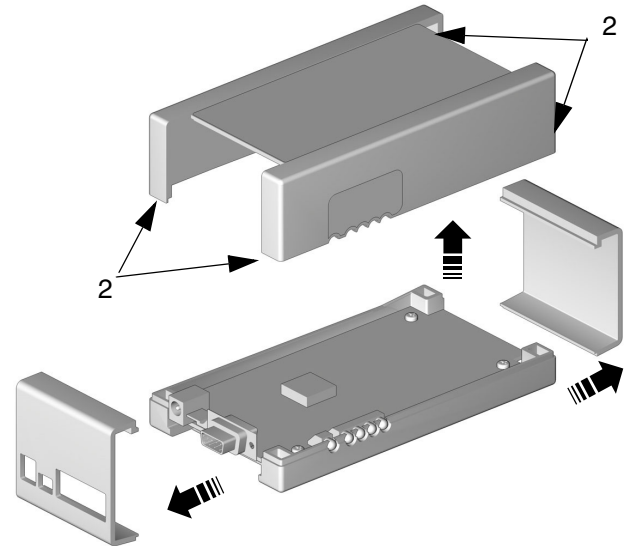


FIG. 8

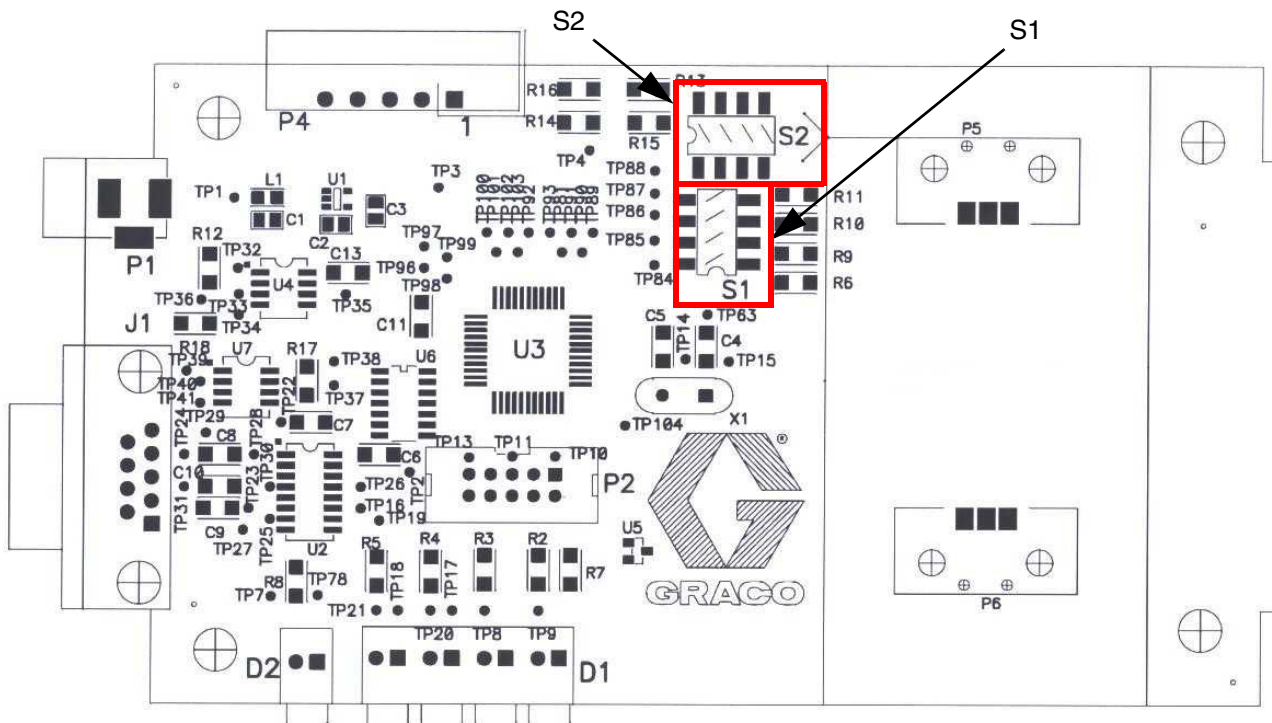


FIG. 9

## Dipswitch Setting using RS232 Connection

In FIG. 10 you can see the default (AA) setting. If the system is a one Transceiver application and no other Matrix systems are in the same RF range, this setting will not require changing.



All dipswitch settings must be made without power to the Transceivers or the settings will not be properly communicated to the PC software.

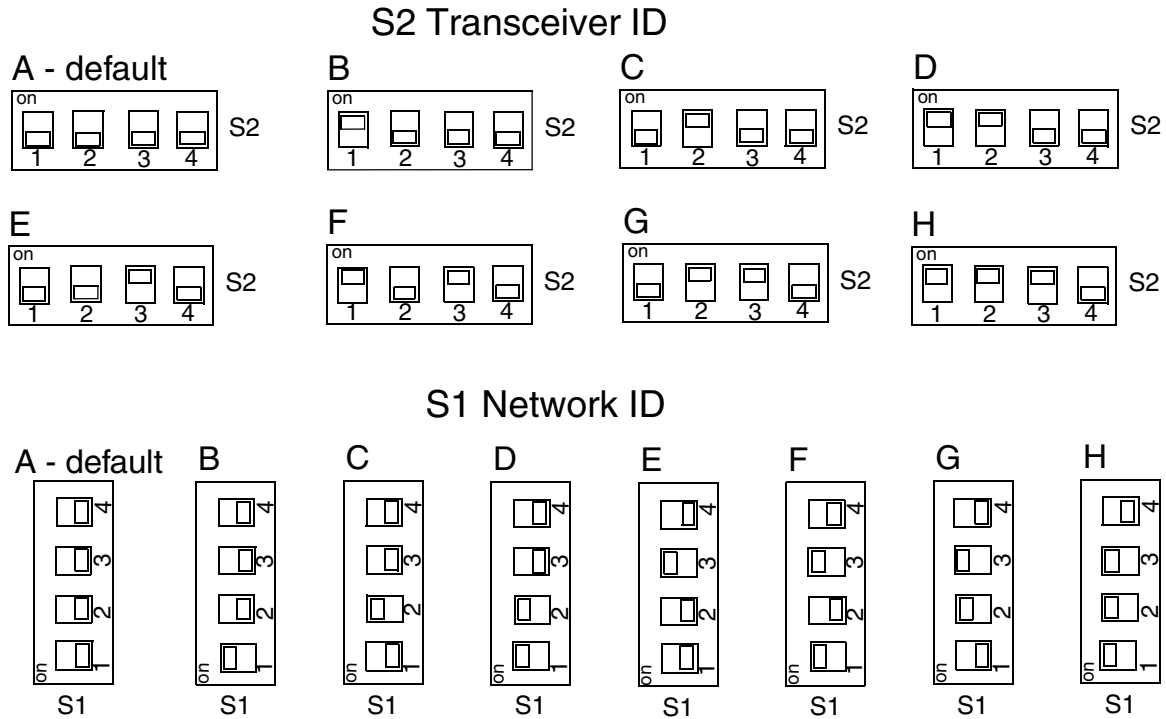


FIG. 10

## Dipswitch Setting using RS422 Connection

As stated earlier, the default dipswitch setting is (AA) for a RS232 connection. If RS422 connection is used, this setting will require a change using the settings in FIG. 11.



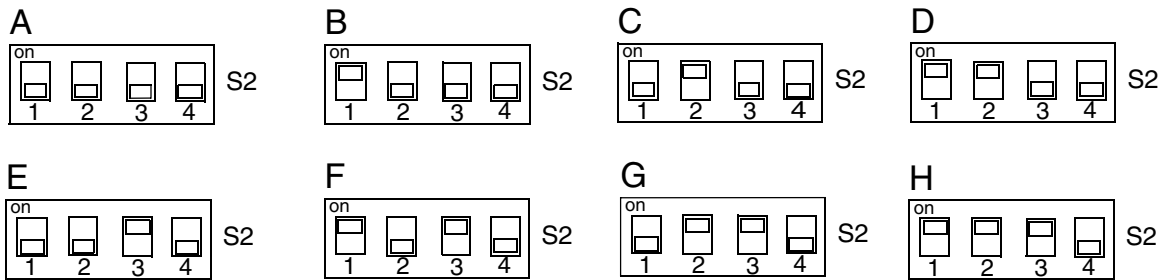
Dipswitch setting (4) of the S1 Network ID changes position when using RS422 cable instead of RS232 cable.



All dipswitch settings must be made without power to the Transceivers or the settings will not be properly communicated to the PC software.

## RS422 Cable Settings

### S2 Transceiver ID



### S1 Network ID

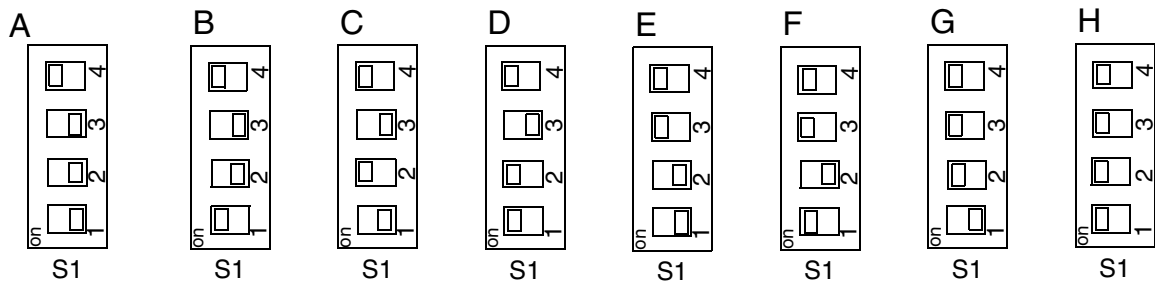


FIG. 11

## Components Mounting Bracket

During system installation, double-faced tape can be used to allow relocation of the Transceivers to optimize RF communication.

Once RF communications are confirmed, the Transceiver can be permanently mounted on a desk top, wall, or ceiling. If the component will be placed on a desktop or horizontal flat surface, use the rubber feet that are supplied. The feet are adhered to round indents on the back side of the unit. If the component will be placed on the wall or ceiling, use the Matrix mounting bracket (3) and screws (4) to fasten the box to the mounting location. See FIG. 12.

- If the Transceiver is mounted outdoors, it must be placed into a protective water proof, non-metallic outside housing meeting IP65 Standards for outdoor use.
- Be sure to comply with all applicable local, state, and national fire, electrical, and safety regulations.

1. Using the bracket as a template, mark the location of the bracket holes on the mounting surface. Or see **Mounting Bracket Hole Dimensions**, page 17.
2. Drill two holes.
3. Attach the bracket (3) to the wall or ceiling using two 1 in. sheet rock screws (4). Slide the transceiver onto the bracket.

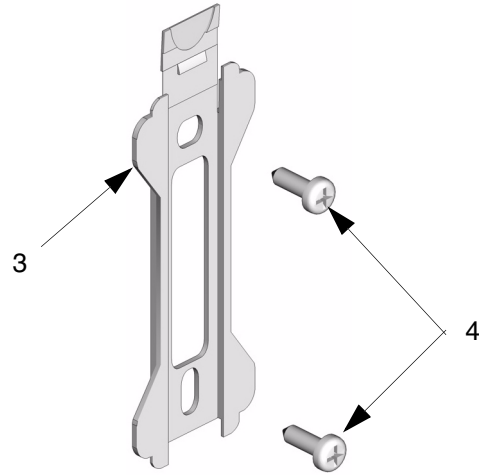


FIG. 12

# Operation

Once the Matrix system is installed, you can verify that the Transceiver is functioning correctly by observing each component's indicator lights. Once verified, no additional service or maintenance is necessary.

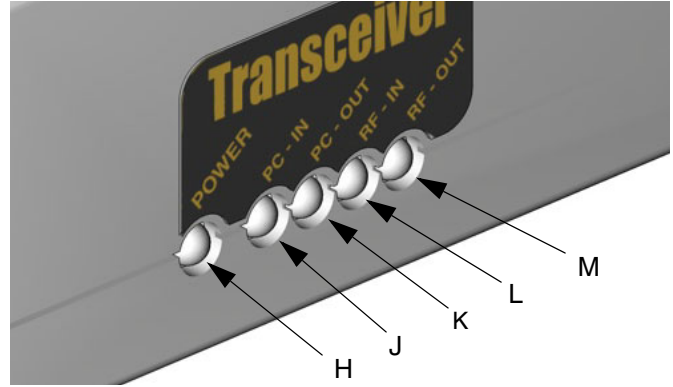


FIG. 13

## Transceiver See FIG. 13

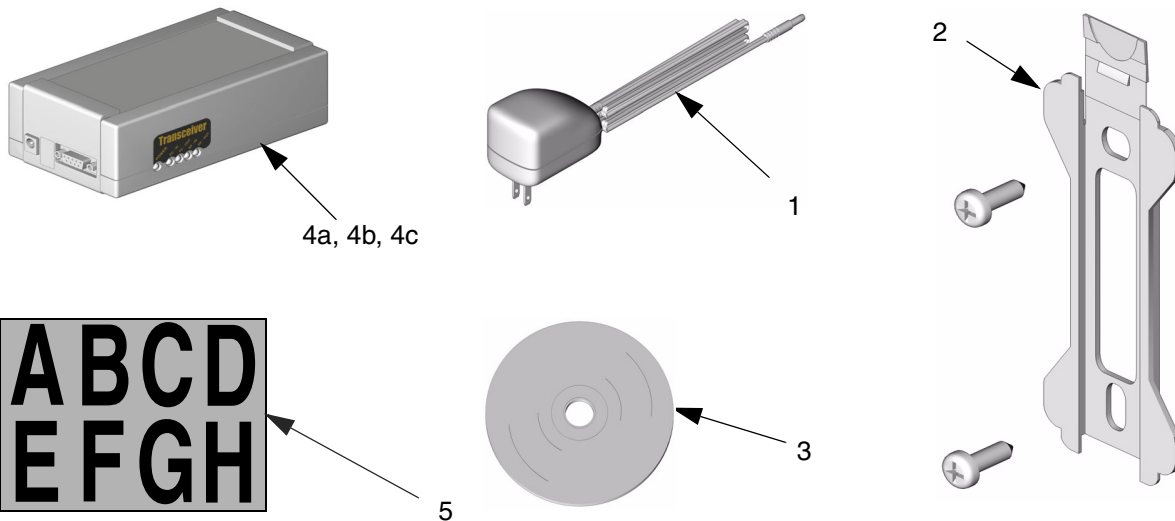
Function	Description
Power - Green light (H)	When lit, indicates the unit is receiving AC power.
PC IN - Red light (J)	Flashing light indicates transmission from the PC to the Transceiver.
PC OUT - Red light (K)	Flashing light indicates transmission from the Transceiver to the PC.
RF IN - Red light (L)	Flashing light indicates RF signal received from Matrix or other RF source.
RF OUT - Red light (M)	Flashing light indicates valid Matrix RF signal data transmitted.
PC IN & RF OUT flashing (J & M)	Data from PC is being sent out via RF.
PC OUT & RF IN flashing (K & L)	Valid data received by Transceiver and sent to the PC.

## Transceiver Diagnostics

Indicator	Diagnostic Definition
No green power light (H)	Indicates that AC power is not being received. Verify that the power cord is securely plugged into the component and the AC power outlet. Verify that the AC power outlet is "live".
No light on PC IN (J)	Indicates that the PC is not communicating. Verify that the computer cable is securely plugged into the back of the Transceiver and the communications port of the PC. Complete the Signal Strength Test on the Matrix Application screen to verify signal from the PC to the Transceiver.
No light on PC OUT (K)	Indicates that the Transceiver is not communicating to the PC when receiving information from other Matrix components. Verify that the RF IN indicator is lit. If lit, verify computer cable is securely connected. If so, replace Transceiver.
No light on RF IN (L)	Indicates no transmission is being received by the Transceiver. Components may be too far out of range for proper RF communications. Verify Matrix components are programmed, have power, are functioning correctly, and are within RF communication range. Replace Transceiver if all other components are working properly and are within appropriate distance.
Constant RF OUT (M) light on	System is in a RF communication "lock up". Applies to all.
No light on RF OUT (M)	No RF communication transmitted from Transceiver to the Matrix system. Verify that the computer cable is securely plugged into the back of the Transceiver and the communications port of the PC. Complete the Signal Strength Test on the Matrix Application screen to verify signal from PC to the Transceiver and RF OUT from Transceiver.

# Transceiver Parts

- 249020 Transceiver with Full Line Matrix Software, N.A.
- 249884 Transceiver with Full Line Matrix Software, Australia
- 249021 Transceiver with Tank Level Monitor Software, N.A.
- 249885 Transceiver with Tank Level Monitor Software, Australia
- 117256 Transceiver without Software, N.A.
- 120108 Transceiver without Software, Australia



Ref. No.	Part No.	Description	Qty
1	117251	AC Transformer, 6 ft. (1.8 m), N.A.	1
	120109	AC Transformer, 6 ft. (1.8 m), Australia	
2	117247	Mounting bracket with screws	1
3		Matrix Software CD (not available separately)	1
4a	249020	Transceiver with Full Line Matrix Software, N.A.	1
	249884	Transceiver with Full Line Matrix Software, Australia	
4b	249021	Transceiver with Tank Level Monitor Software, N.A.	1
	249885	Transceiver with Tank Level Monitor Software, Australia	
4c	117256	Transceiver without Software, N.A.	1
	120108	Transceiver without Software, Australia	
5		Transceiver Labels	2

## Accessories

Part No.	Description
118346	100 ft (30.5 m) RS232 cable
119572	1000 ft (305 m) roll of RS422 cable
249019	RS422 Connector kit (includes 25 RS422 connectors and 100 ferrules)
119645	RS422 ferrule crimping tool
119435	RS232/RS422 converter

Some Matrix applications will require USB converter to connect multiple Transceivers to a PC. Graco recommends using either a 4-port or 8-port Edgeport USB converter. Graco does NOT supply these converters. To purchase separately, contact B & B Electronics Manufacturing ([www.bb-elec.com](http://www.bb-elec.com)) in N.A. or T Data ([www.tdata.com.au](http://www.tdata.com.au)) in Australia. The converters come standard with a 3.3 ft (1 m) cable and software to load additional COM ports for Transceiver connection.

# Troubleshooting

Problem	Cause	Solution
Transceiver will not communicate to meters and TLMs	Incorrect COM port selected for transceiver.	Ensure correct COM port is selected.
	Communication (serial) cable is not connected between the transceiver and PC.	Verify that communication cable connects transceiver to PC correctly. See page 6.
	Transceiver is not powered up.	Verify transceiver is powered up.
	You attempted to communicate while red lights on transceiver were on.	Wait for red lights on transceiver to go blank before attempting to communicate.
	Transceiver dipswitches are not set for correct communication (serial) cable.	Verify transceiver dipswitches are set for appropriate communication (serial) cable. See pages 10 and 11.
	Transceiver is out of RF range of meters or TLMs.	Ensure transceiver is located within RF range of meters and TLMs.
Transceiver communicates intermittently to some meters and TLMs.	Transceiver is out of RF range of meters or TLMs.	Ensure transceiver is located within RF range of meters and TLMs.
	Two meters or TLMs are programmed to the same address.	Verify that each meter and TLM is correctly programmed to a unique address.

# Technical Data

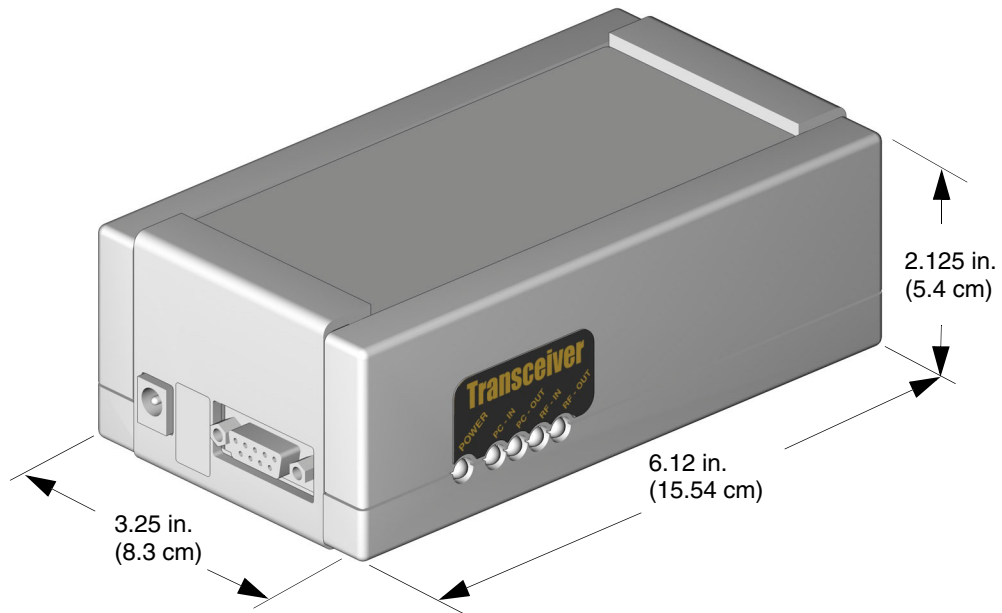
## Transceiver


Weight	1.0 lbs. (454 g)
RF Communication	902 - 928 MHz frequency hopping, spread-spectrum, N.A. 915 - 928 MHz frequency hopping, spread-spectrum, Australia
Unobstructed RF Range (based on building construction and RF environment)	300 to 500 ft (91.4 to 152.4 m)
Obstructed RF Range (based on building construction and RF environment)	250 to 300 ft (76.2 to 91.4 m)
RF Operating Temperature Range	-40°F to 185°F (-40°C to 85°C)
Power Supply	120 VAC in to a 12 VDC plug in transformer, N.A. 240 VAC in to a 12 VDC plug in transformer, Australia
FCC ID (for RF device contained in Matrix Transceivers 249020, 249021, 117256)	FCC (JHIGNET), IC - Industry Canada (4840AGNET), N.A.
Compliance (for RF device contained in Matrix Transceivers 249884, 249885, 120108)	ACMA (N 3845), Australia

These devices comply with part 16 of the FCC Rules. Operation is subject to the following two conditions: (1) this device may not cause harmful interference, and (2) this device must accept any interference received, including interference that may cause undesired operation.

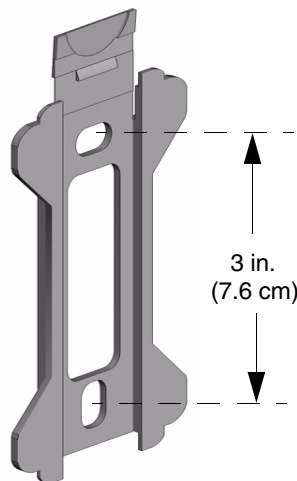


# Dimensions



 Dimensions taken with ceiling or wall mount bracket installed.

# Mounting Bracket Hole Dimensions



# Graco Standard Warranty

Graco warrants all equipment manufactured by Graco and bearing its name to be free from defects in material and workmanship on the date of sale to the original purchaser for use. With the exception of any special, extended, or limited warranty published by Graco, Graco will, for a period of twenty-four months from the date of sale, repair or replace any part of the equipment determined by Graco to be defective. This warranty applies only when the equipment is installed, operated and maintained in accordance with Graco's written recommendations.

This warranty does not cover, and Graco shall not be liable for general wear and tear, or any malfunction, damage or wear caused by faulty installation, misapplication, abrasion, corrosion, inadequate or improper maintenance, negligence, accident, tampering, or substitution of non-Graco component parts. Nor shall Graco be liable for malfunction, damage or wear caused by the incompatibility of Graco equipment with structures, accessories, equipment or materials not supplied by Graco, or the improper design, manufacture, installation, operation or maintenance of structures, accessories, equipment or materials not supplied by Graco.

This warranty is conditioned upon the prepaid return of the equipment claimed to be defective to an authorized Graco distributor for verification of the claimed defect. If the claimed defect is verified, Graco will repair or replace free of charge any defective parts. The equipment will be returned to the original purchaser transportation prepaid. If inspection of the equipment does not disclose any defect in material or workmanship, repairs will be made at a reasonable charge, which charges may include the costs of parts, labor, and transportation.

**THIS WARRANTY IS EXCLUSIVE, AND IS IN LIEU OF ANY OTHER WARRANTIES, EXPRESS OR IMPLIED, INCLUDING BUT NOT LIMITED TO WARRANTY OF MERCHANTABILITY OR WARRANTY OF FITNESS FOR A PARTICULAR PURPOSE.**

Graco's sole obligation and buyer's sole remedy for any breach of warranty shall be as set forth above. The buyer agrees that no other remedy (including, but not limited to, incidental or consequential damages for lost profits, lost sales, injury to person or property, or any other incidental or consequential loss) shall be available. Any action for breach of warranty must be brought within two (2) years of the date of sale.

Graco makes no warranty, and disclaims all implied warranties of merchantability and fitness for a particular purpose in connection with accessories, equipment, materials or components sold but not manufactured by Graco. These items sold, but not manufactured by Graco (such as electric motors, switches, hose, etc.), are subject to the warranty, if any, of their manufacturer. Graco will provide purchaser with reasonable assistance in making any claim for breach of these warranties.

In no event will Graco be liable for indirect, incidental, special or consequential damages resulting from Graco supplying equipment hereunder, or the furnishing, performance, or use of any products or other goods sold hereto, whether due to a breach of contract, breach of warranty, the negligence of Graco, or otherwise.

## **FOR GRACO CANADA CUSTOMERS**

The parties acknowledge that they have required that the present document, as well as all documents, notices and legal proceedings entered into, given or instituted pursuant hereto or relating directly or indirectly hereto, be drawn up in English. Les parties reconnaissent avoir convenu que la rédaction du présente document sera en Anglais, ainsi que tous documents, avis et procédures judiciaires exécutés, donnés ou intentés à la suite de ou en rapport, directement ou indirectement, avec les procédures concernées.

# Graco Information

**TO PLACE AN ORDER**, contact your Graco distributor, or call this number to identify the distributor closest to you:  
**Phone:** 612-623-6928 **or Toll Free:** 1-800-533-9655, **Fax:** 612-378-3590

*All written and visual data contained in this document reflects the latest product information available at the time of publication.  
Graco reserves the right to make changes at any time without notice.*

*For patent information, see [www.graco.com/patents](http://www.graco.com/patents).*

Original instructions. This manual contains English. MM 309498

**Graco Headquarters:** Minneapolis  
**International Offices:** Belgium, China, Japan, Korea

**GRACO INC. AND SUBSIDIARIES • P.O. BOX 1441 • MINNEAPOLIS MN 55440-1441 • USA**

**Copyright 2004, Graco Inc. All Graco manufacturing locations are registered to ISO 9001.**

[www.graco.com](http://www.graco.com)

Revised July 2012

Download from [Www.Somanuals.com](http://Www.Somanuals.com). All Manuals Search And Download.

## Free Manuals Download Website

<http://myh66.com>

<http://usermanuals.us>

<http://www.somanuals.com>

<http://www.4manuals.cc>

<http://www.manual-lib.com>

<http://www.404manual.com>

<http://www.luxmanual.com>

<http://aubethermostatmanual.com>

Golf course search by state

<http://golfingnear.com>

Email search by domain

<http://emailbydomain.com>

Auto manuals search

<http://auto.somanuals.com>

TV manuals search

<http://tv.somanuals.com>