

NOTE:  
Please read all instructions  
carefully before using this  
product

Safety Notice

Hardware Identifier

Assembly Instruction

Exploded Diagram

Parts List

Warranty

Ordering Parts

Model  
IGS-02

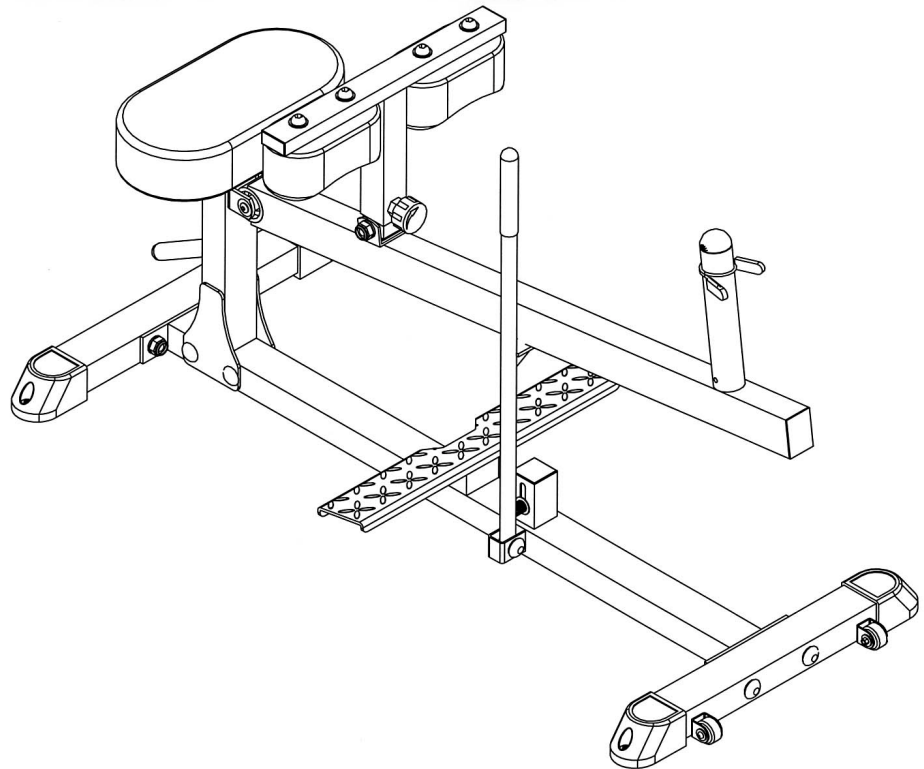
Retain This  
Manual for  
Reference

02-19-02

OWNER'S  
MANUAL

# IRON GRIP **SPORT™**

## IGS-02 CALF RAISE BENCH



### IMPEX FITNESS PRODUCTS

14777 DON JULIAN RD., CITY OF INDUSTRY, CA 91746

Tel: (800) 999-8899 Fax: (626) 961-9966

[www.impex-fitness.com](http://www.impex-fitness.com)

[info@impex-fitness.com](mailto:info@impex-fitness.com)

---

## TABLE OF CONTENTS

|                               |   |
|-------------------------------|---|
| BEFORE YOU BEGIN.....         | 1 |
| IMPORTANT SAFETY NOTICES..... | 2 |
| HARDWARE IDENTIFIER.....      | 3 |
| ASSEMBLY INSTRUCTIONS.....    | 4 |
| EXPLODED DIAGRAM.....         | 7 |
| PARTS LIST.....               | 8 |
| WARRANTY.....                 | 9 |
| ORDERING PARTS.....           | 9 |

---

## BEFORE YOU BEGIN

Thank you for selecting the IRON GRIP SPORT IGS-02 Calf Raise Bench by IMPEX FITNESS PRODUCTS. For your safety and benefit, read this manual carefully before using the machine. As a manufacturer, we are committed to provide you complete customer satisfaction. If you have any questions, or find there are missing or damaged parts, we guarantee you complete satisfaction through direct assistance from our factory. To avoid unnecessary delays, *please call our TOLL-FREE customer service number.* Our Customer Service Agents will provide immediate assistance to you.

**Toll-Free Customer Service Number**

**1-800-999-8899**

**Mon. - Fri. 9 a.m. - 5 p.m. PST**

**[www.impex-fitness.com](http://www.impex-fitness.com)**

**[info@impex-fitness.com](mailto:info@impex-fitness.com)**

## **IMPORTANT SAFETY NOTICE**

### **PRECAUTIONS**

This exercise machine is built for optimum safety. However, certain precautions apply whenever you operate a piece of exercise equipment. Be sure to read the entire manual before you assemble or operate your machine. In particular, note the following safety precautions:

1. **Keep children and pets away from the machine at all times. DO NOT leave children unattended in the same room with the machine.**
2. Only one person at a time should use the machine.
3. If the user experiences dizziness, nausea, chest pain, or any other abnormal symptoms, STOP the workout at once. CONSULT A PHYSICIAN IMMEDIATELY.
4. Position the machine on a clear, leveled surface. DO NOT use the machine near water or outdoors.
5. Keep hands away from all moving parts.
6. Always wear appropriate workout clothing when exercising. DO NOT wear robes or other clothing that could become caught in the machine. Running or aerobic shoes are also required when using the machine.
7. Use the machine only for its intended use as described in this manual. DO NOT use attachments not recommended by the manufacturer.
8. Do not place any sharp object around the machine.
9. Disabled person should not use the machine without a qualified person or physician in attendance.
10. Before using the machine to exercise, always do stretching exercises to properly warm up.
11. Never operate the machine if the machine is not functioning properly.
12. A spotter is recommended during exercise.

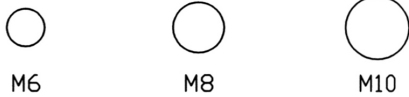
**WARNING: BEFORE BEGINNING ANY EXERCISE PROGRAM, CONSULT YOUR PHYSICIAN. THIS IS ESPECIALLY IMPORTANT FOR INDIVIDUALS OVER THE AGE OF 35 OR PERSONS WITH PRE-EXISTING HEALTH PROBLEMS. READ ALL INSTRUCTIONS BEFORE USING ANY FITNESS EQUIPMENT. IMPEX INC. ASSUMES NO RESPONSIBILITY FOR PERSONAL INJURY OR PROPERTY DAMAGE SUSTAINED BY OR THROUGH THE USE OF THIS PRODUCT.**

**SAVE THESE INSTRUCTIONS.**

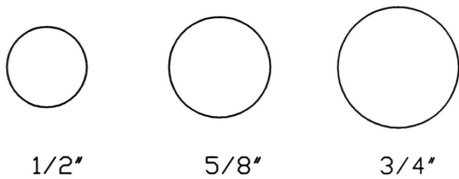
# HARDWARE IDENTIFIER

PLACE WASHER, END OF BOLT, OR SCREW ON CIRCLE TO CHECK FOR CORRECT SIZE.

## MILLIMETERS



## INCHES



## REPLACEMENT PARTS

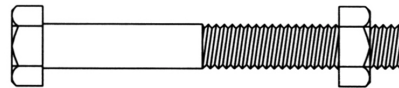
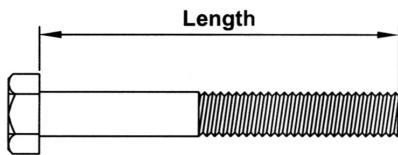
Thank you for purchasing IMPEX product. Although we go to great effort to ensure the quality of our products, Occasionally errors or omissions occur. Should you find either a defective or missing part in this product, Please contact us for a replacement at the telephone number.

QUESTION ?

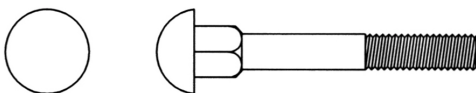


**1-800-999-8899**

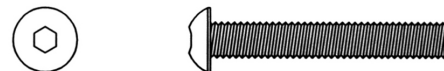
**NOTE:** When installing a Aircraft Nut (also called Nylon or Lock Nut), Please use two adjustable wrenches to tighten down the Nut. Hold down the Bolt with one wrench, and use the other wrench to turn the Nut clockwise.



HEX HEAD BOLT



CARRIAGE BOLT



ALLEN BOLT



AIRCRAFT NUT



FLAT WASHER

# ASSEMBLY INSTRUCTION

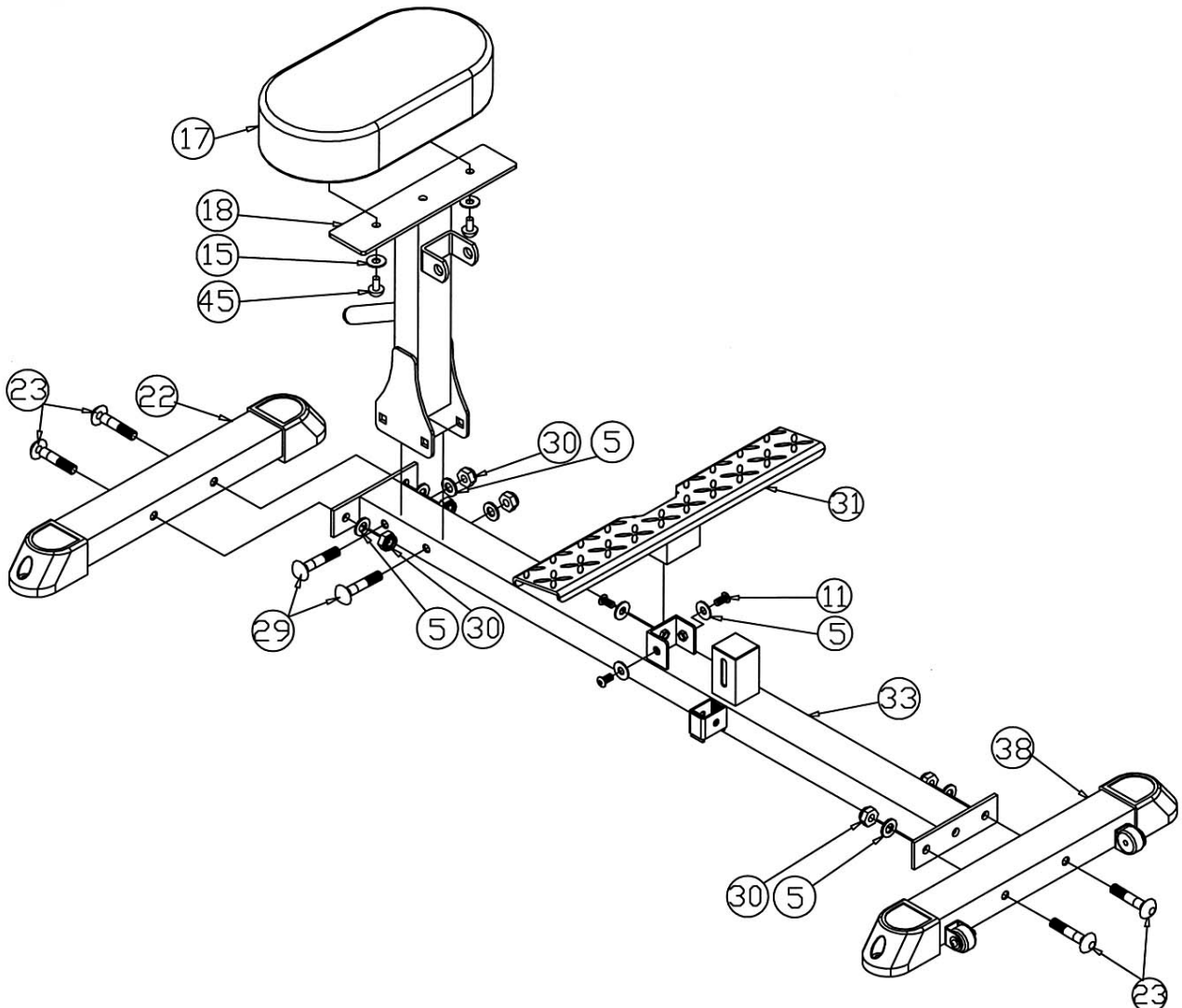
**Tools Required Assembling the Machine: Adjustable Wrench and Allen Wrench**

**NOTE: It is strongly recommended this machine to be assembled by two or more people to avoid possible injury.**

## STEP 1 (See Diagram 1)

- A.) Attach the Main Frame (#33) to the Rear Stabilizer (#22). Secure it with two M10 x 3 1/2" Carriage Bolts (#23),  $\varnothing$  3/4" Washers (#5) and M10 Aircraft Nuts (#30). Repeat the same step to install the Front Stabilizer (#38).
- B.) Attach the Seat Pad (#17) to the Seat Support (#18). Secure it with two M8 x 1 3/8" Allen Bolts (#45) and  $\varnothing$  1/2" Washers (#15). Attach the Seat Frame (#18) to the Main Frame (#33). Secure it with two M10 x 3 3/4" Carriage Bolts (#29),  $\varnothing$  3/4" Washers (#5) and M10 Aircraft Nuts (#30).
- C.) Attach the Foot Plate (#31) to the Main Frame (#33). Secure it with three M10 x 1" Allen Bolts (#11) and  $\varnothing$  3/4" Washers (#5).

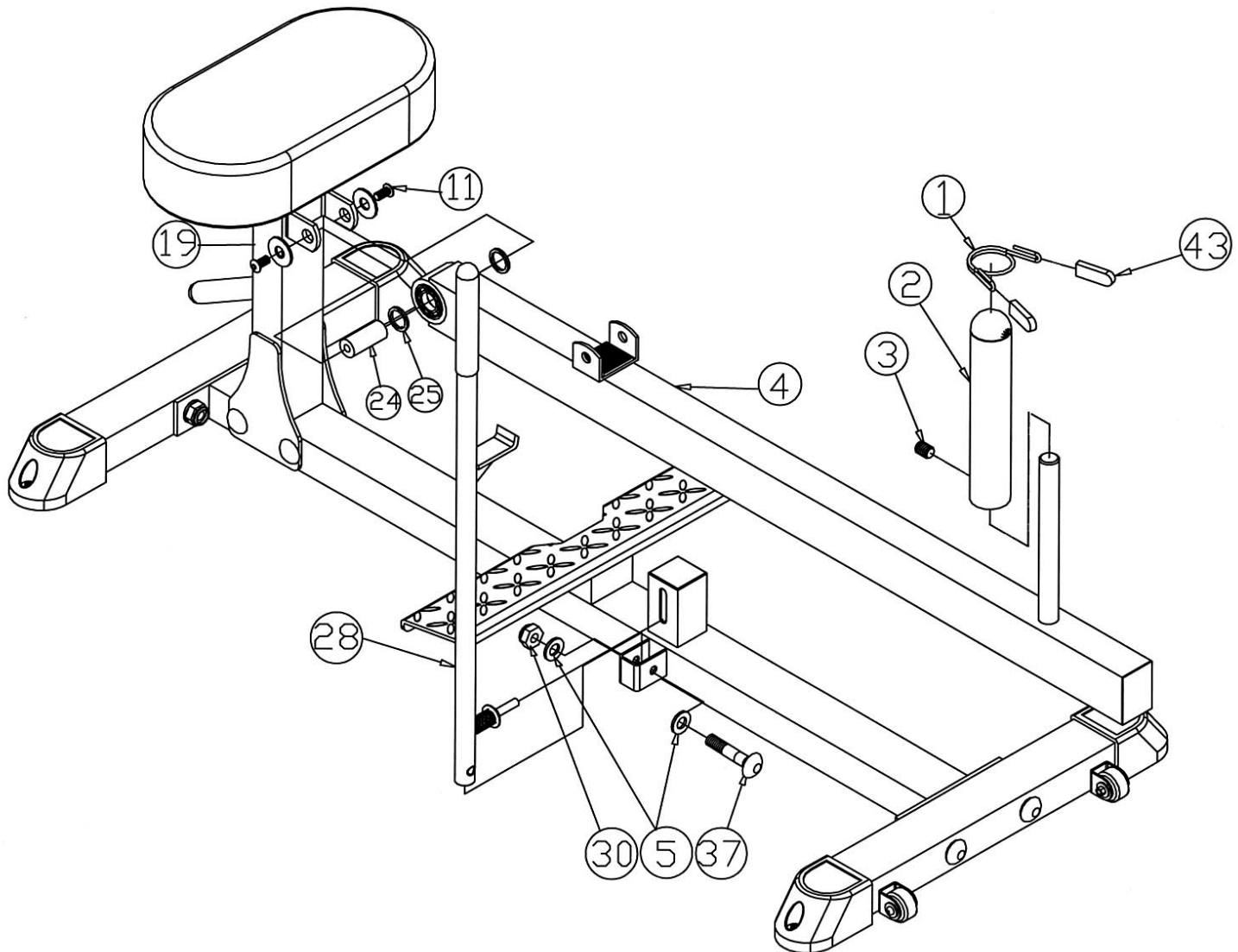
**DIAGRAM 1**



## STEP 2 (See Diagram 2)

- A.) Attach two Axle Spacers (#25) to the pivot on the rear of the Calf Raise Frame (#4). Insert the Axle (#24) through the pivot and then attach the pivot to the bracket on the Seat Support (#18). Secure it with two M10 x 1" Allen Bolts (#11) and  $\varnothing$  1 3/8" Washers (#19).
- B.) Attach the Calf Raise Bar Holder (#28) to the bracket on the side of Main Frame (#33). Secure it with one M10 x 2" Allen Bolt (#37), two  $\varnothing$  3/4" Washers (#5), and one M10 Aircraft Nut (#30).
- C.) Attach the Olympic Sleeve (#2) to the weight post on the Calf Raise Frame (#4). Secure it with one M8 x 1/2" Allen Screw (#3). Attach the Spring Clip (#1) to the Olympic Sleeve.

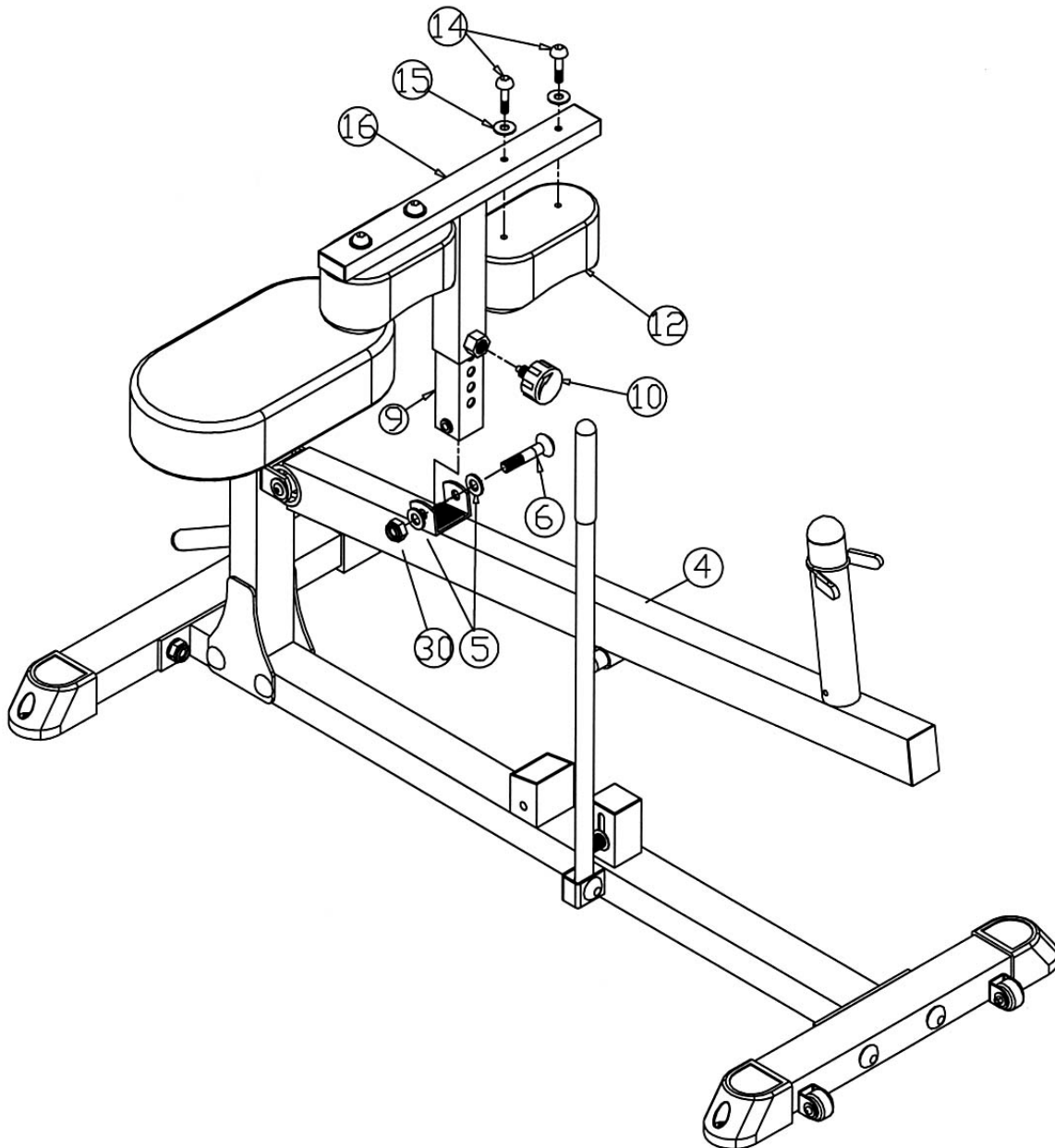
### DIAGRAM 2



### STEP 3 (See Diagram 3)

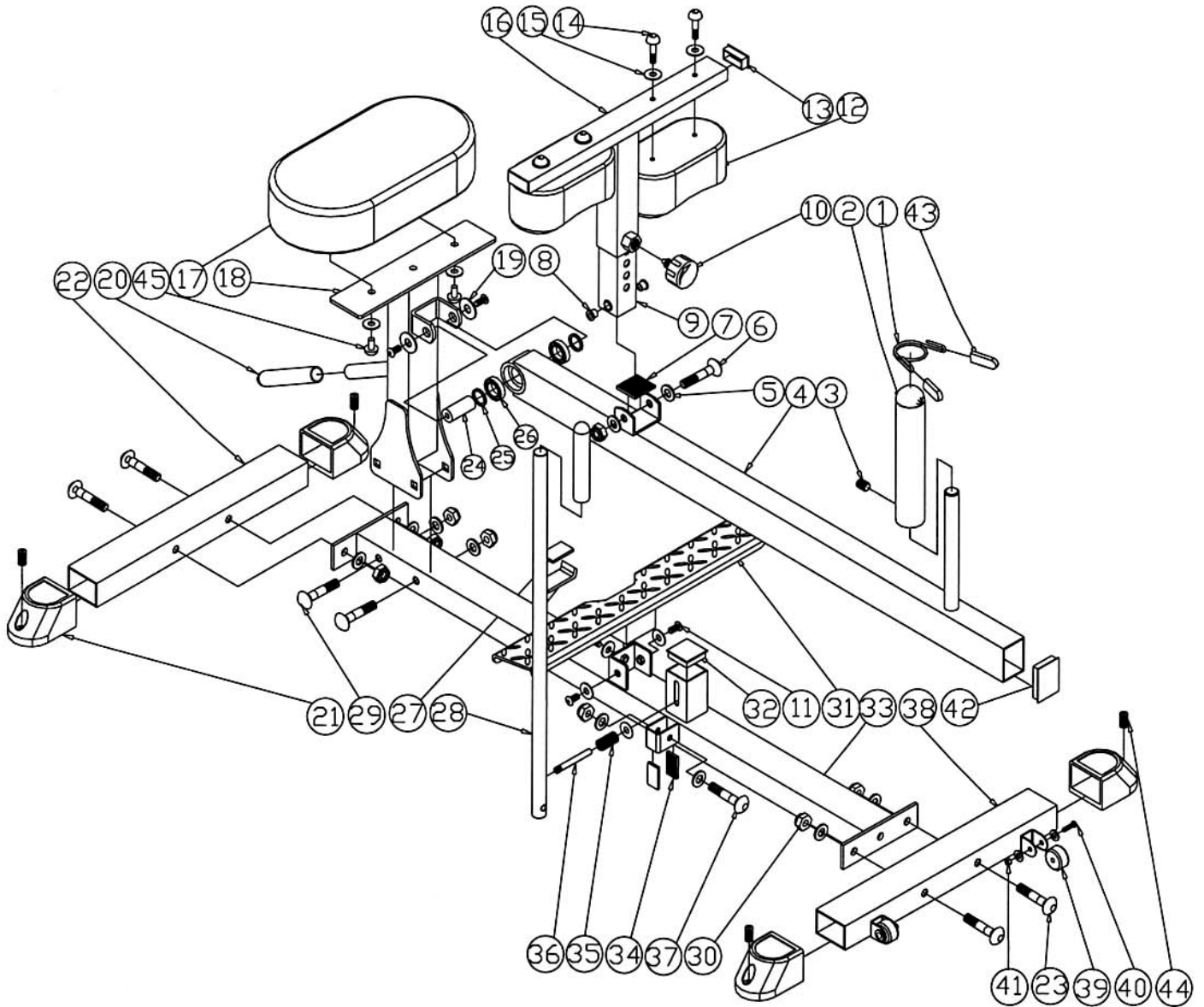
- A.) Attach the two Calf Pads (#12) to the Knee Support Frame (#16). Secure each pad with two M8 x 2" Allen Bolts (#14) and  $\varnothing$  1/2" Washers (#15).
- B.) Attach the Height Adjustment Frame (#9) to the Calf Raise Frame (#4). Secure it with one M10 x 3" Allen Bolt (#6), two  $\varnothing$  3/4" Washers (#5), and one M10 Aircraft Nut (#30).
- C.) Attach Knee Support Frame (#9) to the Height Adjustment Frame (#9). Insert the Lock Knob (#10) to the hole to obtain the desired height for the Calf Pads.

**DIAGRAM 3**





# EXPLODED DIAGRAM





## PARTS LIST

| KEY NO. | DESCRIPTION               | Q'ty |
|---------|---------------------------|------|
| 1       | Spring Clip               | 1    |
| 2       | Olympic Sleeve            | 1    |
| 3       | M8 x ½" Allen Screw       | 1    |
| 4       | Calf Raise Frame          | 1    |
| 5       | Ø ¾" Washer               | 13   |
| 6       | M10 x 3" Allen Bolt       | 1    |
| 7       | Large Bumper              | 1    |
| 8       | Brass Bushing             | 2    |
| 9       | Height Adjustment Frame   | 1    |
| 10      | Lock Knob                 | 1    |
| 11      | M10 x 1" Allen Bolt       | 5    |
| 12      | Calf Pad                  | 2    |
| 13      | 1" x 2" End Cap           | 2    |
| 14      | M8 x 2" Allen Bolt        | 4    |
| 15      | Ø ½" Washer               | 10   |
| 16      | Knee Support Frame        | 1    |
| 17      | Seat Pad                  | 1    |
| 18      | Seat Support              | 1    |
| 19      | Ø 1 3/8" Washer           | 2    |
| 20      | Handle Grip               | 2    |
| 21      | Stabilizer End Cap        | 4    |
| 22      | Rear Stabilizer           | 1    |
| 23      | M10 x 3 ½" Carriage Bolt  | 4    |
| 24      | Axle                      | 1    |
| 25      | Axle Spacer               | 2    |
| 26      | Bearing                   | 2    |
| 27      | Rubber Pad                | 1    |
| 28      | Calf Raise Bar Holder     | 1    |
| 29      | M10 x 3 ¾" Carriage Bolt  | 2    |
| 30      | M10 Aircraft Nut          | 8    |
| 31      | Foot Plate                | 1    |
| 32      | 2" x 2" End Cap           | 1    |
| 33      | Main Frame                | 1    |
| 34      | Small Bumper              | 2    |
| 35      | Spring                    | 1    |
| 36      | Spring-bar                | 1    |
| 37      | M10 x 2" Allen Bolt       | 1    |
| 38      | Front Stabilizer          | 1    |
| 39      | Roller Wheel              | 2    |
| 40      | M8 x 1 5/8" Allen bolt    | 2    |
| 41      | M8 Aircraft Nut           | 2    |
| 42      | 2" x 2 ¾" End Cap         | 1    |
| 43      | Spring Clip Sleeve        | 2    |
| 44      | M10 x 1" Round Allen Bolt | 4    |
| 45      | M8 x 1 3/8" Allen Bolt    | 2    |

# ***IRON GRIP SPORT***

## ***By IMPEX FITNESS PRODUCTS***

### **LIMITED LIFE TIME WARRANTY**

IMPEX FITNESS PRODUCTS ("IMPEX") warrants this product to be free from defects in workmanship and material, under normal use and service conditions, for a period of LIFE TIME on the Frame and Weld, 3 YEARS on parts, and 6 MONTHS on upholstery from the date of purchase. This warranty extends only to the original purchaser. IMPEX's obligation under this Warranty is limited to replacing or repairing, at IMPEX's option.

All returns must be pre-authorized by IMPEX. Pre-authorization may be obtained by calling IMPEX Customer Service Department at 1-800-999-8899. All freights on products returned to IMPEX must be prepaid by the customer. This warranty does not extend to any product or damage to a product caused by or attributable to freight damage, abuse, misuse, improper or abnormal usage or repairs not provided by an IMPEX authorized service center or for products used for heavy commercial or rental purposes. No other warranty beyond that specifically set forth above is authorized by IMPEX.

IMPEX is not responsible or liable for indirect, special or consequential damages arising out of or in connection with the use or performance of the product or other damages with respect to any economic loss, loss of property, loss of revenues or profits, loss of enjoyments or use, costs of removal, installation or other consequential damages or whatsoever natures. Some states do not allow the exclusion or limitation of incidental or consequential damages. Accordingly, the above limitation may not apply to you.

The warranty extended hereunder is in lieu of any and all other warranties and any implied warranties of merchantability or fitness for a particular purpose is limited in its scope and duration to the terms set forth herein. Some states do not allow limitations on how long an implied warranty lasts. Accordingly, the above limitation may not apply to you.

This warranty gives you specific legal right. You may also have other rights which vary from state to state. **Register on-line at [www.impex-fitness.com](http://www.impex-fitness.com)**

**IMPEX INC.**  
**14777 Don Julian**  
**City of Industry, CA 91746**

#### **ORDERING REPLACEMENT PARTS**

Replacement parts can be ordered by calling our Customer Service Department toll-free at **1-800-999-8899** during our regular business hours: Monday through Friday, 9 am until 5 pm Pacific standard time.

**[info@impex-fitness.com](mailto:info@impex-fitness.com)**

When ordering replacement parts, always give the following information.

1. Model
2. Description of Parts
3. Part Number
4. Date of Purchase

## Free Manuals Download Website

<http://myh66.com>

<http://usermanuals.us>

<http://www.somanuals.com>

<http://www.4manuals.cc>

<http://www.manual-lib.com>

<http://www.404manual.com>

<http://www.luxmanual.com>

<http://aubethermostatmanual.com>

Golf course search by state

<http://golfingnear.com>

Email search by domain

<http://emailbydomain.com>

Auto manuals search

<http://auto.somanuals.com>

TV manuals search

<http://tv.somanuals.com>