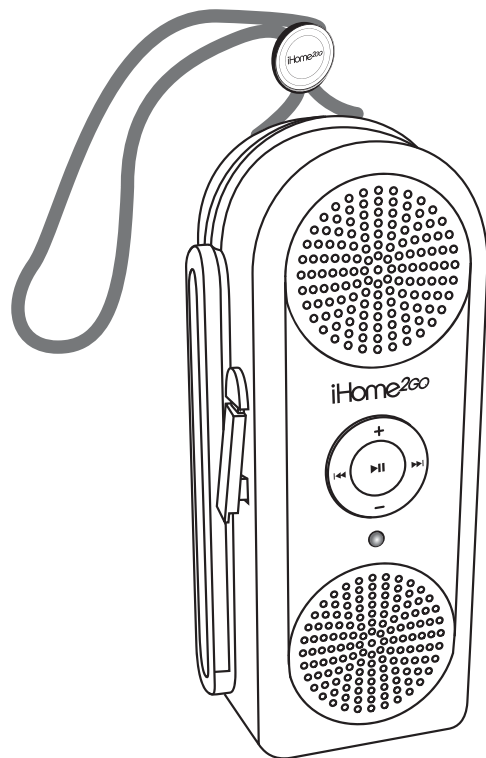


**iHome2Go™**  
**Hydro-Fi™**

*Model iH20*  
**Water-Resistant  
Shower Speaker  
System For Your iPod®**



**Questions? Visit [www.ihomeaudio.com](http://www.ihomeaudio.com)**

## Table of Contents

Controls and Indicators .....	1
iH20 Quick Start .....	2
Using the iH20 in the Shower .....	3
Using the iH20 .....	4
Connecting iH20 to AC Power Source .....	4
Playing and Charging your iPod .....	4
Using the Line-In and Headphone Jacks .....	5
Batteries Installation .....	5
A Consumer Guide to Product Safety .....	6
Trouble Shooting .....	7
Solución De Problemas .....	8
Warranty Information .....	9

## Package Contents

Congratulations on your iH20 home sound system for the iPod. Before you set up your unit, please check to see that the package contains the following items:

- 1 Main Unit
- 1 AC Adaptor
- 3 iPod Inserts
- 1 Audio Patch Cord

**IMPORTANT SAFETY INFORMATION: IT IS THE USER'S RESPONSIBILITY TO USE THIS PRODUCT PRUDENTLY, RESPONSIBLY AND IN A SAFE MANNER AT ALL TIMES.**



**DO NOT IMMERSE/SUBMERGE UNIT IN WATER**

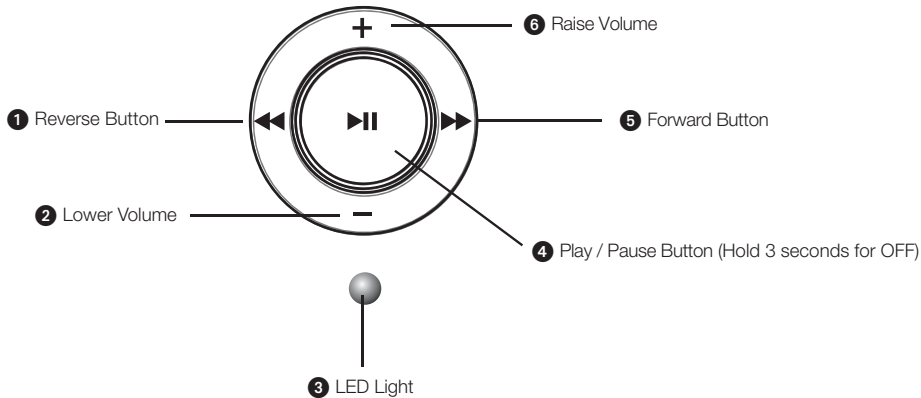
**DO NOT CONNECT TO AC OUTLET WHILE OPERATING IN SHOWER**

### Maintenance

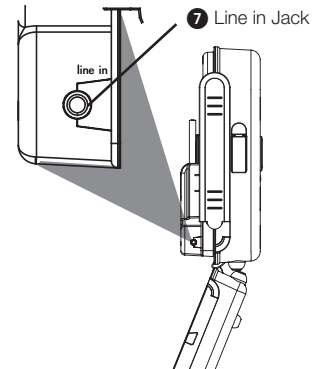
- Place the unit on a level surface away from sources of direct sunlight or excessive heat.
- Protect your furniture when placing your unit on a natural wood and lacquered finish. A cloth or other protective material should be placed between it and the furniture.
- Clean your unit with a soft cloth moistened only with mild soap and water. Stronger cleaning agents, such as Benzine, thinner or similar materials can damage the surface of the unit.

# Controls and Indicators

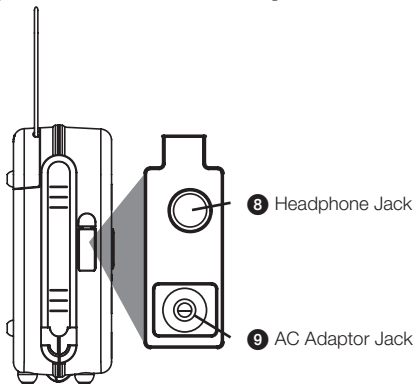
## Front Panel



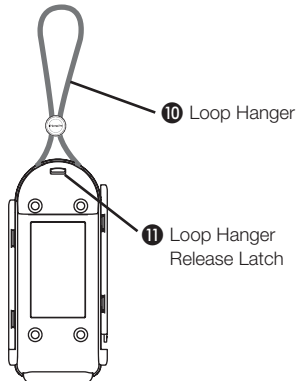
## Inside Left Side Panel



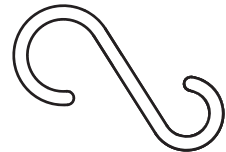
## Side Panel (under rubber tab)



## Back Panel

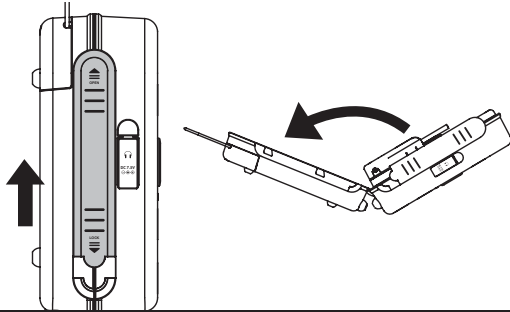


## Shower Rod Hook



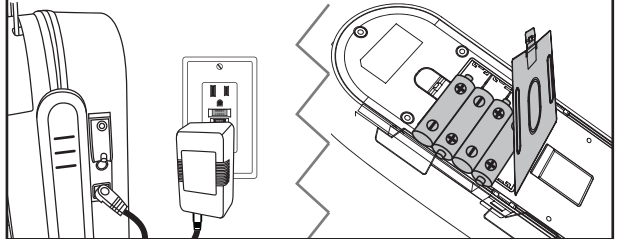
# iH20 Quick Start

## 1: Opening and closing iH20



To open the unit, use thumb to push the two sliding lock bars on either side UP to unlatch. To close cover, push lock bars back down.

## 2: Power: AC or batteries



To charge your iPod, attach AC adaptor cable to jack on left of the iH20 (under rubber tab) and plug the other end into a working AC outlet. Does not charge batteries. For portable operation (in shower, etc.), open the battery door located inside the unit above the iPod dock. Install 4 AA batteries (match + and - polarity in diagram).

## 3: Inserts

### Install iPod Insert

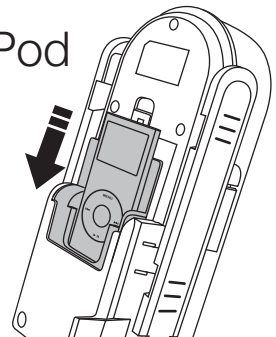
Your iH20 comes with 3 removable inserts and a card with rubber pads to ensure your iPod fits properly in the iPod dock. Please see insert table to select the insert that fits your iPod. Make sure you are using the correct insert for your iPod and that it is properly docked into the iH20. Failure to do so may damage your iPod.

To place an insert:

1. Select the insert for your iPod
2. Place the insert gently into docking bay.
3. Please note that iPod must not be in a case or "skin".

**Note:** This device will not control or charge the 3G iPod.

## 4: iPod



Insert iPod into dock with proper insert. Once iPod is docked, close the iH20. When running on AC power, the iPod will charge while docked. Press the Play Button on the iH20 to play your iPod.

### Mini Insert

Use with iPod Mini

### Thin iPod Insert

iPod 4G 20 GB  
iPod Photo 20/30 GB  
\* 5G iPod with video 30 GB

### Thick iPod (no insert needed)

iPod 4G 40 GB  
iPod Photo 60 GB  
\* 5G iPod with video 60/80 GB

### Nano Insert

iPod Nano 2/4/8 GB

\* To dock 5G iPod with video, replace rubber pads per instructions on the 5G rubber pad card included

## Using the iH20 in the Shower

The iH20 is only for shower use when operating on batteries. To avoid risk of electrical shock, never operate the unit near water when using the AC adaptor.

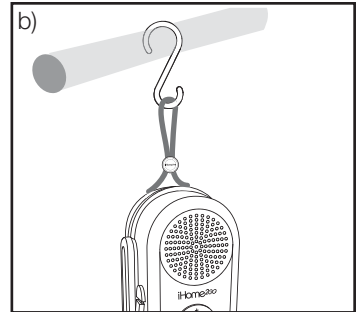
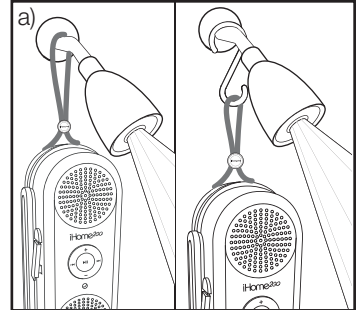
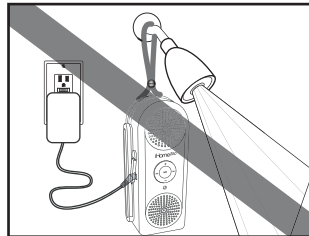
The iH20 comes with both a shower rod hook and a looped hanger.

a) **For use in a shower** (over shower head):

- With speakers facing you, place **10 Loop Hanger** over shower head OR hang shower rod hook from shower head pipe and hang Loop Hanger from hook.
- Test to ensure the loop is securely fastened

b) **For use on a shower rod**, hook the narrow end of the shower rod hook on the looped hanger and secure the larger end of the hook to your shower rod. (Make sure your shower rod is securely fastened before doing so).

**NOTE: MAKE SURE THE iH20 IS PROPERLY CLOSED/SEALED BEFORE USE IN SHOWER. DO NOT OPEN IN SHOWER**



**WARNING: DO NOT CONNECT TO AC OUTLET  
WHILE OPERATING IN SHOWER  
SHOWER USE INTENDED FOR BATTERY  
OPERATION ONLY**

## Using the iH20

### Connecting iH20 to AC Power Source

- a) Plug the AC adaptor cable into the ⑨ AC Adaptor Jack on the left side of the unit and the other end into a standard 120 VAC wall socket. If an iPod is properly connected, it will begin charging, indicated by a flashing blue ③ LED. The iH20 also operates on 4 "AA" batteries (see page 5 for information on installing/replacing batteries) for portable playing. **The AC adaptor charges the iPod with or without batteries installed.**

**WARNING: DO NOT CONNECT TO AC OUTLET WHILE OPERATING IN SHOWER**

**NOTE:** To save battery life, when running off batteries the unit will automatically power OFF after 2 hours of NON-use (no button activation). Press the

- ④ Play/ Pause Button to re-activate the unit.

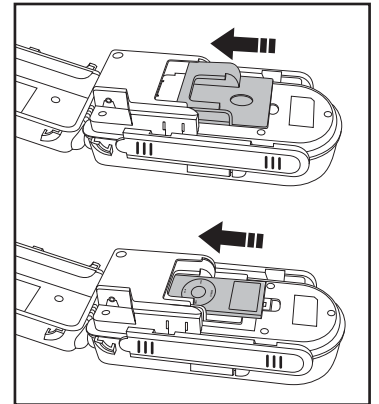
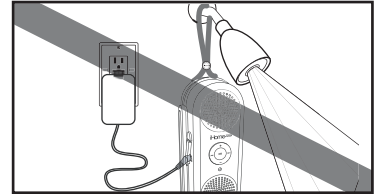
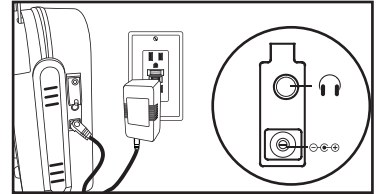
### Playing and Charging Your iPod

- a) Place the proper insert (see page 2) in the dock and gently dock your iPod in the unit. Make sure there is a power source (either batteries or AC power). Close the case. The LED on the front panel will blink if unit is off and iPod is charging. Your iPod recharges (until fully charged) while it is docked in the system and the iH20 is connected to an outlet with the included AC power adaptor. The iH20 does NOT control or charge 3G iPod models.

**NOTE: If you dock an iPod with a drained battery, it may take up to 6 minutes of charging before the iPod will respond.**

- c) Press the ④ iPod Play/Pause Button to play your iPod, and again to pause.  
d) Press ⑥ ② + or - button to increase or decrease volume.  
e) Press ⑤ Forward or ① Reverse buttons to go to the next or previous track. Hold ⑤ Forward or ① Reverse while track is playing to scan to a given music passage.  
⑤ Forward and ① Reverse do not affect components connected to the ⑦ line-in jack.  
f) Press and HOLD the ④ iPod Play/Pause button for 3 seconds to turn off the iPod and the unit.

**NOTE: iPod will go to hibernation mode if iPod is off for sometime and not charging; you may need to press the Play / Pause Button twice to play the iPod.**



## Using the Line-in and Headphone Jacks

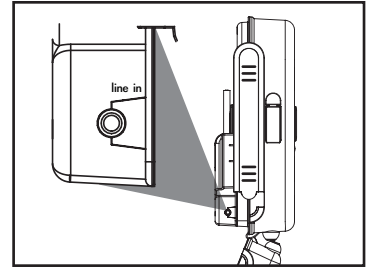
a) An audio patch cord comes with the iH20. Use it to play nondocking iPod models or other audio devices through the iH20 ⑦ Line-in Jack (one end in the device's line out or headphones jack, the other in the iH20 line in jack).

**WARNING: Connector pins are for iPod ONLY. DO NOT attempt to connect any device other than an iPod to the connector socket in the dock. Use Line-in and audio cord instead.**

Make sure there is no iPod connected to the iH20 when using the ⑦ line-in jack. Press the ④ PLAY button to mute or unmute line-in source.

**NOTE: Other than mute and volume, the iH20 does not control line in audio devices.**

b) Use the ⑧ Headphone Jack on the iH20 to disable the speakers and listen to your iPod privately.



## Batteries Installation

### Install/Replace Batteries

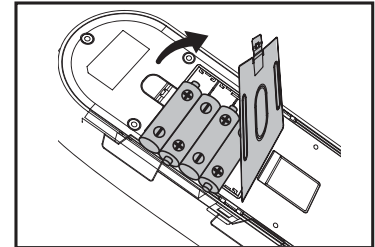
The iH20 uses 4 "AA" batteries for portable playing. If sound becomes weak or distorted, it is time to replace the batteries. The iH20 will not charge your iPod while operating on batteries.

- Open the battery compartment cover located inside the unit above the iPod dock.
- Insert 4 "AA" batteries as indicated.
- We recommend the use of alkaline batteries for longer life.

**NOTE: AC adaptor does not charge batteries**

Batteries information:

- Do not mix old and new batteries.
- Do not mix alkaline, standard (carbon -zinc) or rechargeable (nickel-cadmium) batteries.



# IMPORTANT SAFETY INSTRUCTIONS

When used in the directed manner, this unit has been designed and manufactured to ensure your personal safety. However, improper use can result in potential electrical shock or fire hazards. Please read all safety and operating instructions carefully before installation and use, and keep these instructions handy for future reference. Take special note of all warnings listed in these instructions and on the unit.

1. **Water and Moisture** – The unit should not be used near water when running on AC power. For example: near a bathtub, washbowl, kitchen sink, laundry tub, swimming pool or in a wet basement.
2. **Ventilation** – The unit should be situated so that its location or position does not interfere with its proper ventilation. For example, it should not be situated on a bed, sofa, rug or similar surface that may block ventilation openings. Also, it should not be placed in a built-in installation, such as a bookcase or cabinet, which may impede the flow of air through the ventilation openings.
3. **Heat** – The unit should be situated away from heat sources such as radiators, heat registers, stoves or other appliances (including amplifiers) that produce heat.
4. **Power Sources** – The unit should be connected to a power supply only of the type described in the operating instructions or as marked on the appliance.
5. **Power-Cable Protection** – Power supply cables should be routed so that they are not likely to be walked on or pinched by items placed upon or against them. It is always best to have a clear area from where the cable exits the unit to where it is plugged into an AC socket.
6. **Cleaning** – The unit should be cleaned only as recommended. See the Maintenance section of this manual for cleaning instructions.
7. **Objects and Liquid Entry** – Care should be taken so that objects do not fall and liquids are not spilled into any openings or vents located on the product.
8. **Attachments** – Do not use attachments not recommended by the product manufacturer.
9. **Lightning and Power Surge Protection** – Unplug the unit from the wall socket and disconnect the antenna or cable system during a lightning storm or when it is left unattended and unused for long periods of time. This will prevent damage to the product due to lightning and power-line surges.
10. **Overloading** – Do not overload wall sockets, extension cords, or integral convenience receptacles as this can result in a risk of fire or electric shock.
11. **Damage Requiring Service** – The unit should be serviced by qualified service personnel when:
  - A. the power supply cable or plug has been damaged.
  - B. objects have fallen into or liquid has been spilled into the enclosure.
  - C. the unit has been exposed to rain.
  - D. the unit has been dropped or the enclosure damaged.
  - E. the unit exhibits a marked change in performance or does not operate normally.
12. **Periods of Nonuse** – If the unit is to be left unused for an extended period of time, such as a month or longer, the power cable should be unplugged from the unit to prevent damage or corrosion.
13. **Servicing** – The user should not attempt to service the unit beyond those methods described in the user's operating instructions. Service methods not covered in the operating instructions should be referred to qualified service personnel.

**Questions? Visit [www.ihomeaudio.com](http://www.ihomeaudio.com)**



## Trouble Shooting

Symptom	Possible Problem	Solution
iH20 does not turn on	no batteries are installed	Install fresh batteries
iH20 does not turn off	improper shut down/ button not held long enough	HOLD the Play/Pause button for 3 seconds to turn unit off
No sound from iH20	Volume is set too low on iH20	Make sure volume is turned up
	headphones in headphone jack	Make sure nothing is connected to the headphone jack
	iPod is not installed properly	Make sure iPod is properly and securely connected (see below)
iPod didn't charge up	iPod is not installed properly	Remove your iPod from the connector and check for obstruction on the connector and on your iPod. Then reconnect iPod.
	iPod battery has problem	Please make sure your iPod is working properly before docking into the unit. Please refer to your iPod manual for details.
	iPod is locked up/ frozen	
	AC adaptor is not plugged into unit and wall socket	The iH20 only charges your iPod while plugged into an AC outlet . Make sure the AC adaptor is plugged into the power jack on the iH20 and into a working wall socket to charge your iPod. You cannot overcharge your iPod.
Sound is distorted	Volume level is set too high	Decrease the volume
	Sound source is distorted	If the iPod original sound source (MP3) is old or of poor quality, distortion and noise are easily noticed with high-power speakers. Try a different audio source such as a music CD.  If you are using an external sound source like older generation of iPod or iPod Shuffle, try reducing the output volume on the device itself. Also try setting iPod EQ to flat.
	Batteries are weak	Install fresh batteries
Unit/adaptor gets warm after extended play at high volume	This is normal	Turn unit off for awhile or lower volume

**NOTE: When AC adaptor is plugged in, your iPod will charge (with or without batteries installed).**

**NOTE: Unit does not control or charge 3G iPod**

## Solución De Problemas

Síntoma	Posible Problema	Solución
El iH20 no enciende	No tiene pilas instaladas	Instale pilas nuevas.
El iH20 no se apaga	Apagado incorrecto / El botón de apagado no se oprimió el tiempo suficiente	Oprima el botón Reproducir/Pausa durante 3 segundos para apagar la unidad
El iH20 no produce ningún sonido	El volumen está demasiado bajo	Asegúrese de que el volumen no esté bajo
	Los audífonos están conectados	Asegúrese de que no haya nada conectado en la entrada para audífonos
	El iPod no se instaló de forma correcto	Asegúrese de que el iPod esté conectado de manera apropiada y segura (vea más abajo)
El iPod no se carga	El iPod no es instalada apropiadamente	Retire su iPod del conector y verifique que no haya obstrucciones entre el conector y su iPod; después vuelva a conectar el iPod.
	La pila del iPod tiene algún problema	Por favor asegúrese de que su iPod esté funcionando adecuadamente antes de acoplarlo en la unidad. Para más detalles, consulte el manual de su iPod
	El iPod está bloqueado / congelado	
	El adaptador de corriente alterna no está conectado a la unidad o enchufado al tomacorriente	El iH20 sólo carga su iPod al conectarlo a un tomacorriente de AC. Asegúrese de que el adaptador esté conectado a la entrada para energía en el iH20 y a un tomacorriente para así poder cargar el iPod. No debe sobrecargar su iPod
El sonido suena distorsionado	El volumen está demasiado alto	Baje el volumen
	La fuente de sonido está distorsionada	Si la fuente original de sonido para el iPod (MP3) es antigua o de baja calidad, la distorsión y el ruido se notan con facilidad con bocinas de alto poder. Pruebe con otra fuente de sonido, como por ejemplo, con un disco compacto de música.
		Si utiliza una fuente externa de sonido como la generación anterior de iPod o iPod Shuffle, intente reducir el volumen de salida en el dispositivo. Intente también poner el ecualizador del iPod en bemol.
	Las pilas están bajas	Instale pilas nuevas
La unidad o el adaptador se calientan después de reproducir durante largo rato a volumen alto	Es normal	Apague la unidad un rato o baje el volumen

**NOTA: Cuando el adaptador AC está conectado, su iPod se cargará (con o sin las pilas instaladas).**

**NOTA: La unidad no controla o carga iPod de 3a Generación**

# Limited 90-Day Warranty Information

---

iHome Products, a division of SDI Technologies Inc. (hereafter referred to as SDI Technologies), warrants this product to be free from defects in workmanship and materials, under normal use and conditions, for a period of 90 days from the date of original purchase.

Should this product fail to function in a satisfactory manner, it is best to first return it to the store where it was originally purchased. Should this fail to resolve the matter and service still be required by reason of any defect or malfunction during the warranty period, SDI Technologies will repair or, at its discretion, replace this product without charge (except for a \$10.00 charge for handling, packing, return UPS/postage, and insurance). This decision is subject to verification of the defect or malfunction upon delivery of this product to the Factory Service Center listed below. The product must include proof of purchase, including date of purchase. The fee for service without proof of purchase is \$30.00.

Before returning this product for service, please first replace the batteries (if applicable) with fresh ones, as exhausted or defective batteries are the most common cause of problems encountered.

If service is still required:

1. Remove the batteries (if applicable) and pack the unit in a well padded, heavy corrugated box.
2. Enclose a photocopy of your sales receipt, credit card statement, or other proof of the date of purchase, if within the warranty period.
3. Enclose a check or money order payable to the order of SDI Technologies, for the sum of \$10.00 (\$30.00 without proof of purchase).
4. Send the unit prepaid and insured, to the Factory Service Center listed below.

## Consumer Repair Department

*SDI Technologies Inc.  
1330 Goodyear Drive  
El Paso, TX 79936-6420*

## Disclaimer of Warranty

**NOTE:** This warranty is valid only if the product is used for the purpose for which it was designed. It does not cover (i) products which have been damaged by negligence or willful actions, misuse or accident, or which have been modified or repaired by unauthorized persons; (ii) cracked or broken cabinets, or units damaged by excessive heat; (iii) damage to digital media players, CD's or tape cassettes (if applicable); (iv) the cost of shipping this product to the Factory Service Center and its return to the owner.

This warranty is valid only in the United States of America and does not extend to owners of the product other than to the original purchaser. In no event will SDI Technologies or any of its affiliates, contractors, resellers, their officers, directors, shareholders, members or agents be liable to you or any third party for any consequential or incidental damages, any lost profits, actual, exemplary or punitive damages. (Some states do not allow limitations on implied warranties or exclusion of consequential damages, so these restrictions may not apply to you.) This warranty gives you specific legal rights, and you may also have other rights which vary from state to state.

Your acknowledgement and agreement to fully and completely abide by the above mentioned disclaimer of warranty is contractually binding to you upon your transfer of currency (money order, cashier's check, or credit card) for purchase of your SDI Technologies product.

© 2007 SDI Technologies, Inc. All rights reserved

**Questions? Visit [www.ihomeaudio.com](http://www.ihomeaudio.com)  
or call 1-800-288-2792 Toll Free**

## Free Manuals Download Website

<http://myh66.com>

<http://usermanuals.us>

<http://www.somanuals.com>

<http://www.4manuals.cc>

<http://www.manual-lib.com>

<http://www.404manual.com>

<http://www.luxmanual.com>

<http://aubethermostatmanual.com>

Golf course search by state

<http://golfingnear.com>

Email search by domain

<http://emailbydomain.com>

Auto manuals search

<http://auto.somanuals.com>

TV manuals search

<http://tv.somanuals.com>