

READ BEFORE USE
LIRE AVANT UTILISATION
LEA ANTES DE USAR

Visit www.hamiltonbeach.com for our complete line of products and Use and Care Guides – as well as delicious recipes, tips, and to register your product online!

Rendez-vous sur www.hamiltonbeach.ca pour notre liste complète de produits et de nos manuels utilisateur – ainsi que nos délicieuses recettes, nos conseils et pour enregistrer votre produit en ligne !

¡Visite www.hamiltonbeach.com.mx para obtener nuestra línea completa de productos y las Guías de Uso y Cuidado, además de deliciosas recetas, consejos y para registrar su producto en línea!

Questions?
Please call us – our friendly associates are ready to help.
USA: 1.800.851.8900

Questions ?
N'hésitez pas à nous appeler – nos associés s'empresseront de vous aider.
CAN : 1.800.267.2826

¿Preguntas?
Por favor llámenos – nuestros amables representantes están listos para ayudar.
MEX: 01 800 71 16 100
Le invitamos a leer cuidadosamente este instructivo antes de usar su aparato.

**Hamilton
Beach®**

Stay or Go™ Slow Cooker
Mijoteuse Stay or Go™
Olla de cocción Stay or Go™



English	2
Français	13
Español	25

IMPORTANT SAFEGUARDS

When using electrical appliances, basic safety precautions should always be followed to reduce the risk of fire, electric shock, and/or injury to persons, including the following:

1. Read all instructions.
2. Do not touch hot surfaces. Use handles or knobs.
3. To protect against electric shock, do not immerse cord, plug, or base in water or other liquid.
4. Close supervision is necessary when any appliance is used by or near children.
5. Unplug from outlet when not in use and before cleaning. Allow to cool before putting on or taking off parts.
6. Do not operate any appliance with a damaged cord or plug, or after the appliance malfunctions or is dropped or damaged in any manner. Call our toll-free customer service number for information on examination, repair, or adjustment.
7. The use of accessory attachments not recommended by the appliance manufacturer may cause injuries.
8. Do not use outdoors.
9. Do not let cord hang over edge of table or counter, or touch hot surfaces, including stove.
10. Do not place on or near hot gas or an electric burner, or in a heated oven.
11. Extreme caution must be used when moving an appliance containing hot oil or other hot liquids.
12. To disconnect slow cooker, turn control knob to OFF; then remove plug from wall outlet.
13. **CAUTION:** To prevent damage or shock hazard, do not cook in base. Cook only in removable crock.
14. Avoid sudden temperature changes, such as adding refrigerated foods into a heated crock.
15. Do not use appliance for other than intended use.

SAVE THESE INSTRUCTIONS!

OTHER CONSUMER SAFETY INFORMATION

This product is intended for household use only.

This product is only intended for the preparation, cooking, and serving of foods. This product is not intended for use with any non-food materials or products.

WARNING! Shock Hazard: This appliance has a polarized plug (one wide blade) that reduces the risk of electric shock. The plug fits only one way into a polarized outlet. Do not defeat the safety purpose of the plug by modifying the plug in any way or by using an adapter. If the plug does not fit fully into the outlet, reverse the plug. If it still does not fit, have an electrician replace the outlet.

The length of the cord used on this appliance was selected to reduce the hazards of becoming tangled in or tripping over a longer cord. If a longer cord is necessary, an approved extension cord may be used. The electrical rating of the extension cord must be equal to or greater than the rating of the appliance. Care must be taken to arrange the extension cord so that it will not drape over the counter-top or tabletop where it can be pulled on by children or accidentally tripped over.

LID AND CROCK: PRECAUTIONS AND INFORMATION

- Please handle crock and lid carefully to ensure long life.
- Avoid sudden, extreme temperature changes. For example, do not place a hot lid or crock into cold water, or onto a wet surface.
- Avoid hitting crock or lid against faucet or other hard surfaces.
- Do not use crock or lid if chipped, cracked, or severely scratched.
- Do not use abrasive cleansers or metal scouring pads.
- The bottom of crock is very rough and can damage countertop. Use caution.
- The crock and lid can become very hot. Use caution. Do not place directly on any unprotected surface or countertop.
- The crock is microwave-safe and oven-proof, but never heat crock when empty. Never place lid on a burner or stove top. Do not place lid in a microwave oven, conventional oven, or on stove top.

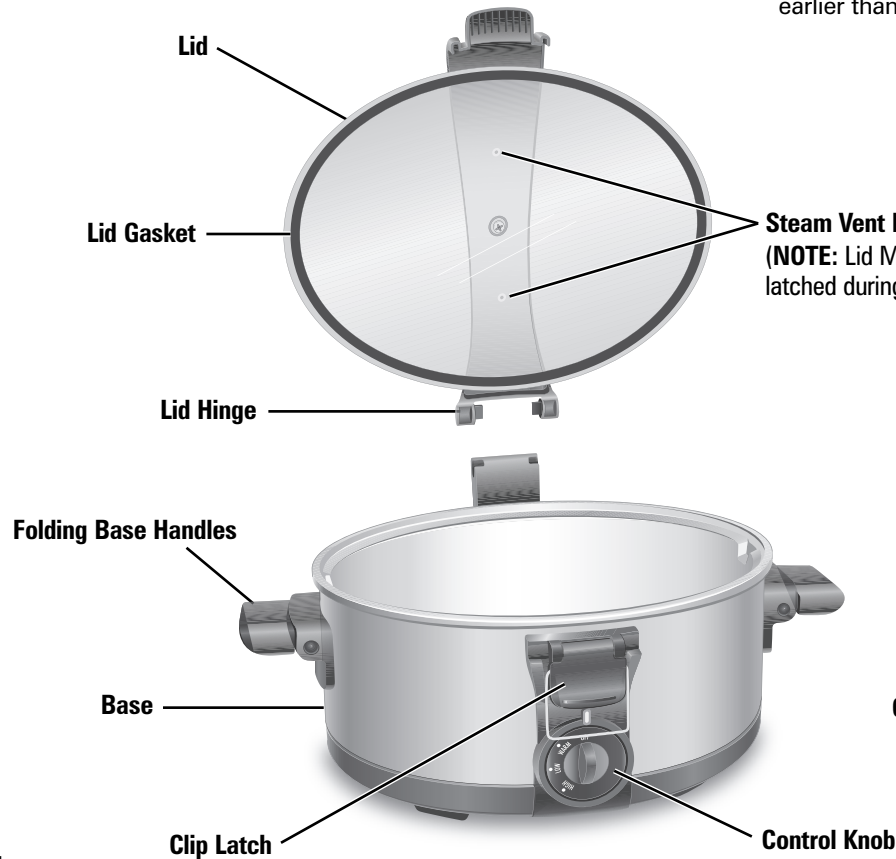
REMOVING LID AND CROCK

The sides of the slow cooker's base get very warm because the heating elements are located here. Use handles on base if necessary. Use oven mitts to remove crock.

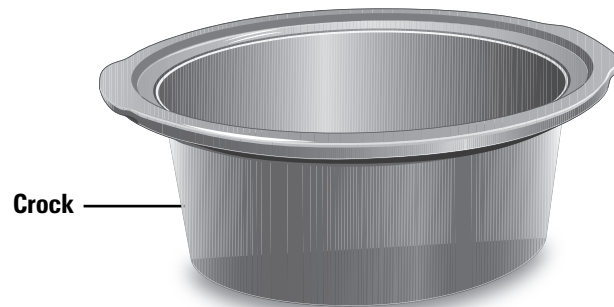
Parts and Features

Crock Capacity

For best results, fill the crock at least half full but no more than one inch from the rim. If only half-filled, check for doneness 1 to 2 hours earlier than recipe states.



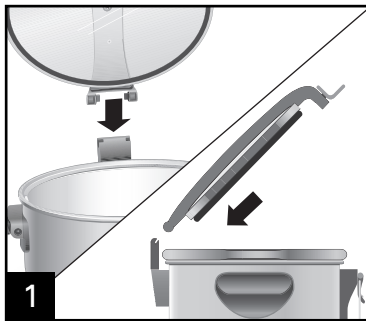
Steam Vent Holes
(NOTE: Lid MAY be latched during cooking)



How to Use Your Slow Cooker

BEFORE FIRST USE: Wash lid and crock in hot, soapy water. Rinse and dry.

⚠ WARNING Food Safety Hazard. Food must be hot enough to prevent bacterial growth before using WARM setting. The WARM setting should only be used after a recipe has been thoroughly cooked. Do not reheat food on WARM setting. If food has been cooked and then refrigerated, reheat it on LOW or HIGH and then switch to WARM. Visit foodsafety.gov for more information.



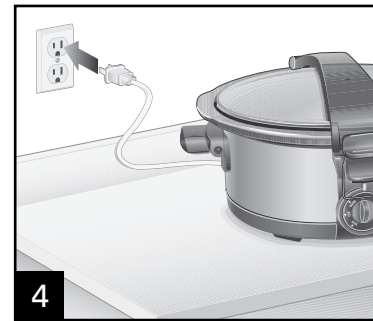
1



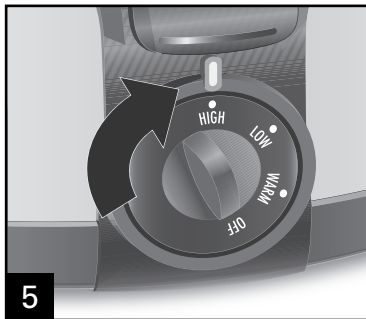
2



3

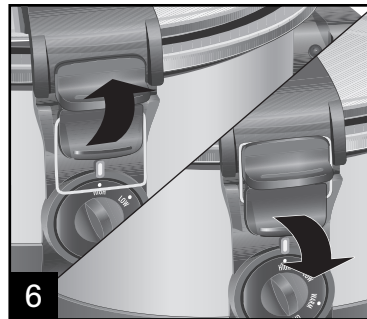


4



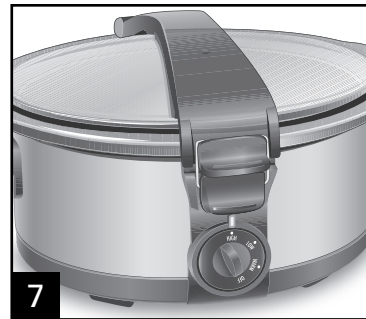
5

Rotate control knob to **LOW** or **HIGH**. Do not cook on **WARM**.



6

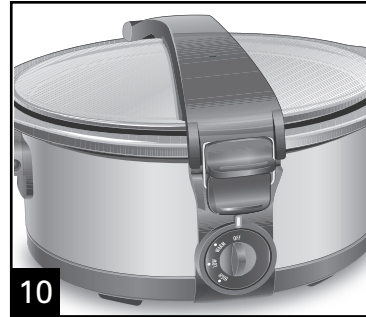
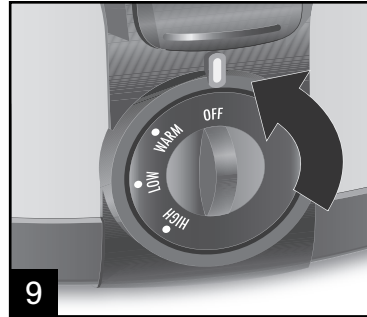
The lid should sit level on the crock for even cooking and to prevent heat loss. The lid **MAY** be latched during the cooking process.



7

Wattage has been adjusted to compensate for heat lost through vent holes.

How to Use Your Slow Cooker (cont.)



When finished, turn **OFF**. Use oven mitts to lift lid.

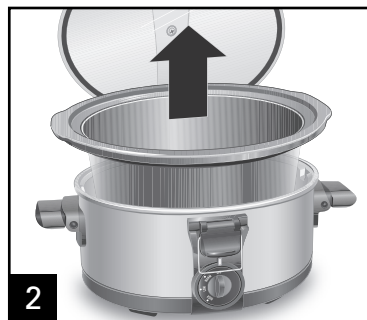
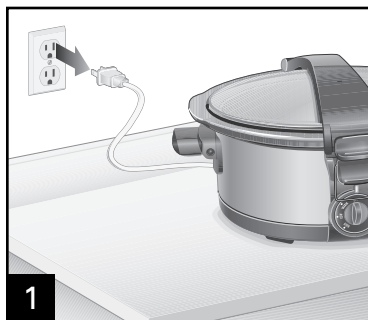
Secure wire clip for transport.

Cleaning and Care

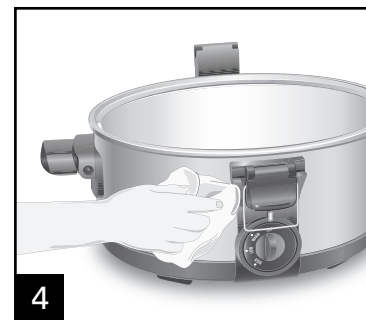
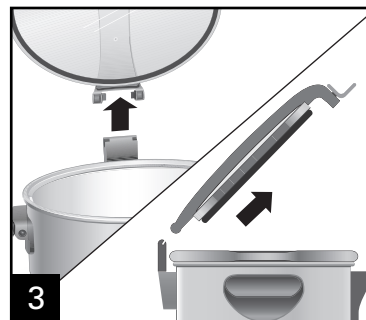
⚠ WARNING

Electrical Shock Hazard.

Disconnect power before cleaning. Do not immerse cord, plug, or base in any liquid.



Use oven mitts to remove crock and allow to cool.



DO NOT use the "SANI" setting when washing in the dishwasher. "SANI" cycle temperatures could damage your product. Lid and crock may be washed in hot, soapy water.

To prevent lingering food smells, found in most plastic containers, clean rubber lid gasket with hot, soapy water after each use. Store with lid ajar.

Tips for Slow Cooking

- The crock should be at least half-filled for best results. If only half-filled, check for doneness 1 to 2 hours earlier than recipe time.
- Stirring is not necessary when slow cooking. Removing glass lid results in major heat loss and the cooking time may need to be extended. However, if cooking on High, you may want to stir occasionally.
- If cooking soups or stews, leave a 2-inch (5-cm) space between the top of the crock and the food so that the recipe can come to a simmer.
- Many recipes call for cooking all day. If your morning schedule doesn't allow time to prepare a recipe, do it the night before. Place all ingredients in crock, cover with lid, and refrigerate overnight. In the morning, simply place crock in slow cooker.
- Some foods are not suited for extended cooking in a slow cooker. Pasta, seafood, milk, cream, or sour cream should be added 2 hours before serving. Evaporated milk or condensed soups are perfect for slow cooking.
- The higher the fat content of meat, the less liquid is needed. If cooking meat with a high fat content, place thick onion slices underneath so meat will not sit on (and cook in) fat.
- Slow cookers allow for very little evaporation. If making your favorite soup, stew, or sauce, reduce liquid called for in original recipe. If too thick, liquid can be added later.
- If cooking a vegetable-type casserole, there will need to be liquid in the recipe to prevent scorching on the sides of crock.
- If cooking a recipe with root vegetables, place root vegetables in the bottom of the crock.

Food Safety Tips

- Do not use frozen, uncooked meat in the slow cooker. Thaw any meat or poultry before slow cooking.
- Visit www.foodsafety.gov for more information on safe internal cooking temperatures.
- To store leftovers after cooking, do NOT place the entire crock in the refrigerator since contents will take too long to cool. Instead, divide leftovers into smaller containers and place into refrigerator.
- Never allow undercooked or raw meat to sit at room temperature in the slow cooker. Once meat is placed into the crock, it should be cooked immediately (unless prepping slow cooker the night before, where crock should be placed into the refrigerator).

IF YOU LIVE IN A HIGH-ALTITUDE AREA:

The Extension service will have detailed information about cooking for your area. To locate the Cooperative Extension service in your county, please visit: <http://www.csrees.usda.gov/Extension/>.

Cooking Chart

For best results, fill the crock at least half full but no more than one inch from rim.
Always follow package directions.

Visit www.foodsafety.gov for more information on safe internal cooking temperatures.

RECIPE	3–5 QT/L	6–7 QT/L	INSTRUCTIONS
Beef Pot Roast	2 lb. (907 g) beef pot roast 1 teaspoon (5 ml) salt 1/2 teaspoon (2.5 ml) pepper 1/4 cup (60 ml) beef broth/water 1/2 to 1 envelope dry onion mix 1 onion, quartered 2 potatoes, quartered 2 carrots, cut in 1-inch (2.5-cm) pieces	3–5 lb. (1.3–2.2 kg) beef pot roast 1.5 teaspoons (7.5 ml) salt 1 teaspoon (5 ml) pepper 1/2 cup (125 ml) beef broth/water 1 envelope dry onion mix 2 onions, quartered 3–4 potatoes, quartered 3–4 carrots, cut in 1-inch (2.5-cm) pieces	1. Season roast with salt and pepper. 2. Over medium-high heat, brown roast on all sides. 3. Place vegetables in crock. 4. Place roast on top of vegetables. 5. Sprinkle with onion soup mix. 6. Drizzle beef broth over meat and vegetables. 7. Cover and cook on HIGH for 5 hours, LOW for 10 hours, or until internal temperature measures at least 160°F (71°C) for medium. Cooking on the LOW setting will result in more tender meat.
Chili	1 lb. (450 g) ground beef 1 1.5-oz (40-g) envelope chili seasoning 1 14.5-oz. (411-g) can diced tomatoes 1 16-oz. (453-g) can kidney beans, drained and rinsed	2 lb. (907 g) ground beef 2 1.5-oz (40-g) envelopes chili seasoning 2 14.5-oz. (411-g) can diced tomatoes 2 16-oz. (453-g) can kidney beans, drained and rinsed	1. Combine beef, chili seasoning, diced tomatoes, and kidney beans in crock. 2. Cover and cook on HIGH for 4 hours, LOW for 8 hours, or until temperature is at least 160°F (71°C).
Whole Chicken	3 lb. (1.3 kg) whole chicken 2 garlic cloves, peeled 1/2 lemon 1 bay leaf 1 teaspoon (5 ml) salt 1/2 teaspoon (2.5 ml) pepper 1 teaspoon (5 ml) paprika	4–6 lb (1.8–2.7 kg) whole chicken (or two 3 lb. [1.3 kg] chickens) 3 garlic cloves, peeled 1/2 lemon 2 bay leaves 2 teaspoons (10 ml) salt 1 teaspoon (5 ml) pepper 1–2 teaspoons (5–10 ml) paprika	1. Remove giblets/neck from cavity of chicken(s). 2. Place garlic, lemon, and bay leaf in chicken cavity. 3. Season chicken(s) with salt and pepper. 4. Place chicken(s) in crock and sprinkle with paprika. 5. Cover and cook on HIGH for 4 hours, LOW for 8 hours, or until internal temperature measures at least 165°F (74°C).

Visit www.hamiltonbeach.com for our complete line of products and Use and Care Guides – as well as delicious recipes, tips, and to register your product online!



Troubleshooting

PROBLEM

PROBABLE CAUSE

Food is undercooked.

- Was food cooked on the Warm setting? Do not cook on Warm; always cook on Low or High heat settings.
- Was power interrupted?
- Did you select the Low heat setting, but use a cooking time based on the High heat setting?
- Did you have the lid placed correctly on the slow cooker?

The food isn't done after cooking the amount of time recommended in my recipe.

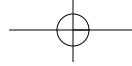
- This can be due to voltage variations (which are commonplace everywhere) or altitude. The slight fluctuations in power do not have a noticeable effect on most appliances. However, it can alter the cooking times in the slow cooker by extending the cooking times. Allow sufficient time and select the appropriate heat setting. You will learn through experience if a shorter or longer time is needed.

My meal was overcooked. Why?

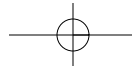
- Was the crock at least half full? The slow cooker has been designed to thoroughly cook food in a filled crock. If the crock is only half-filled, check for doneness 1 to 2 hours earlier than recipe states.
- Did you select correct number of hours based on cooking temperature (Low or High)?
- Foods will continue to increase in temperature after desired temperature has been reached.

Lid gasket collapsed.

- To help maintain shape of gasket, do not cook with clip latched and do not store empty unit with clip latched.



Notes



Limited Warranty

This warranty applies to products purchased in the U.S. and Canada. This is the only express warranty for this product and is in lieu of any other warranty or condition.

This product is warranted to be free from defects in material and workmanship for a period of one (1) year from the date of original purchase. During this period, your exclusive remedy is repair or replacement of this product or any component found to be defective, at our option; however, you are responsible for all costs associated with returning the product to us and our returning a product or component under this warranty to you. If the product or component is no longer available, we will replace with a similar one of equal or greater value.

This warranty does not cover glass, filters, wear from normal use, use not in conformity with the printed directions, or damage to the product resulting from accident, alteration, abuse, or misuse. This warranty extends only to the original consumer purchaser or gift recipient. Keep the original sales receipt, as proof of purchase is required to make a warranty claim. This warranty is void if the product is used for other than single-family household use or subjected to any voltage and waveform other than as specified on the rating label (e.g., 120V ~ 60 Hz).

We exclude all claims for special, incidental, and consequential damages caused by breach of express or implied warranty. All liability is limited to the amount of the purchase price. **Every implied warranty, including any statutory warranty or condition of merchantability or fitness for a particular purpose, is disclaimed except to the extent prohibited by law, in which case such warranty or condition is limited to the duration of this written warranty.** This warranty gives you specific legal rights. You may have other legal rights that vary depending on where you live. Some states or provinces do not allow limitations on implied warranties or special, incidental, or consequential damages, so the foregoing limitations may not apply to you.

To make a warranty claim, do not return this appliance to the store. Please call 1.800.851.8900 in the U.S. or 1.800.267.2826 in Canada or visit hamiltonbeach.com in the U.S. or hamiltonbeach.ca in Canada. For faster service, locate the model, type, and series numbers on your appliance.

PRÉCAUTIONS IMPORTANTES

Pour utiliser un appareil électroménager, vous devez toujours prendre des mesures élémentaires de sécurité pour réduire le risque d'incendie, d'électrocution et/ou de blessure corporelle, en particulier les mesures suivantes :

1. Lire toutes les instructions.
2. Ne pas toucher les surfaces chaudes. Utiliser les poignées ou les boutons.
3. Pour se protéger contre le risque de choc électrique, ne pas immerger le cordon, la fiche ou la base dans l'eau ou tout autre liquide.
4. Une surveillance étroite est nécessaire lorsqu'un appareil électroménager quel qu'il soit est utilisé par des enfants ou près d'eux.
5. Débrancher l'appareil de la prise de courant électrique lorsqu'il n'est pas utilisé et avant un nettoyage. Le laisser refroidir avant un nettoyage et avant d'y placer ou d'y enlever des pièces.
6. Ne pas faire fonctionner un appareil électroménager dont le cordon ou la fiche sont endommagés, ou lorsque l'appareil ne fonctionne pas bien, ou a été échappé ou endommagé d'une manière quelconque. Appeler notre numéro sans frais de service à la clientèle pour des renseignements concernant l'examen, la réparation ou l'ajustement.
7. L'utilisation d'accessoires non recommandés par le fabricant de l'appareil peut causer des blessures.
8. Ne pas utiliser à l'extérieur.
9. Ne pas laisser le cordon pendre du bord d'une table ou d'un comptoir, ou toucher des surfaces chaudes, y compris la cuisinière.
10. Ne pas placer l'appareil sur ou près d'un brûleur à gaz chaud, ou d'un élément électrique, ou dans un four chauffé.
11. Il est nécessaire de faire preuve de la plus grande prudence en déplaçant un appareil électroménager contenant de l'huile chaude ou d'autres liquides chauds.
12. Pour débrancher la mijoteuse, tourner le bouton de commande à OFF (arrêt), puis débrancher la fiche de la prise.
13. **MISE EN GARDE** : Afin de prévenir l'endommagement ou le risque de choc, ne pas cuire dans la base. Cuire seulement dans le plat amovible.
14. Éviter les changements soudains de température, tels que l'ajout de nourriture sortant du réfrigérateur dans un plat chauffé.
15. Ne pas utiliser l'appareil électroménager à une fin autre que celle prévue.

CONSERVEZ CES INSTRUCTIONS !

AUTRE CONSIGNE DE SÉCURITÉ POUR LE CONSOMMATEUR

Cet appareil ne doit servir qu'à un usage domestique.

Ce produit est uniquement destiné à préparer, cuire et servir de la nourriture. Il n'est pas destiné à être utilisé avec d'autres matériaux ou produits que de la nourriture.

AVERTISSEMENT ! Risque d'électrocution : Cet appareil électro-ménager possède une fiche polarisée (une broche large) qui réduit le risque d'électrocution. Cette fiche n'entre que dans un seul sens dans une prise polarisée. Ne contrecarrez pas l'objectif sécuritaire de cette fiche en la modifiant de quelque manière que ce soit ou en utilisant un adaptateur. Si vous ne pouvez pas insérer complètement la fiche dans la prise, inversez la fiche. Si elle refuse toujours de s'insérer, faire remplacer la prise par un électricien.

La longueur du cordon installé sur cet appareil a été sélectionnée afin de réduire les risques d'enchevêtrement ou de faux pas causés par un fil trop long. L'utilisation d'une rallonge approuvée est permise si le cordon est trop court. Les caractéristiques électriques de la rallonge doivent être équivalentes ou supérieures aux caractéristiques de l'appareil. Prendre toutes les précautions nécessaires pour installer la rallonge de manière à ne pas la faire courir sur le comptoir ou sur une table pour éviter qu'un enfant ne tire sur le cordon ou trébuche accidentellement.

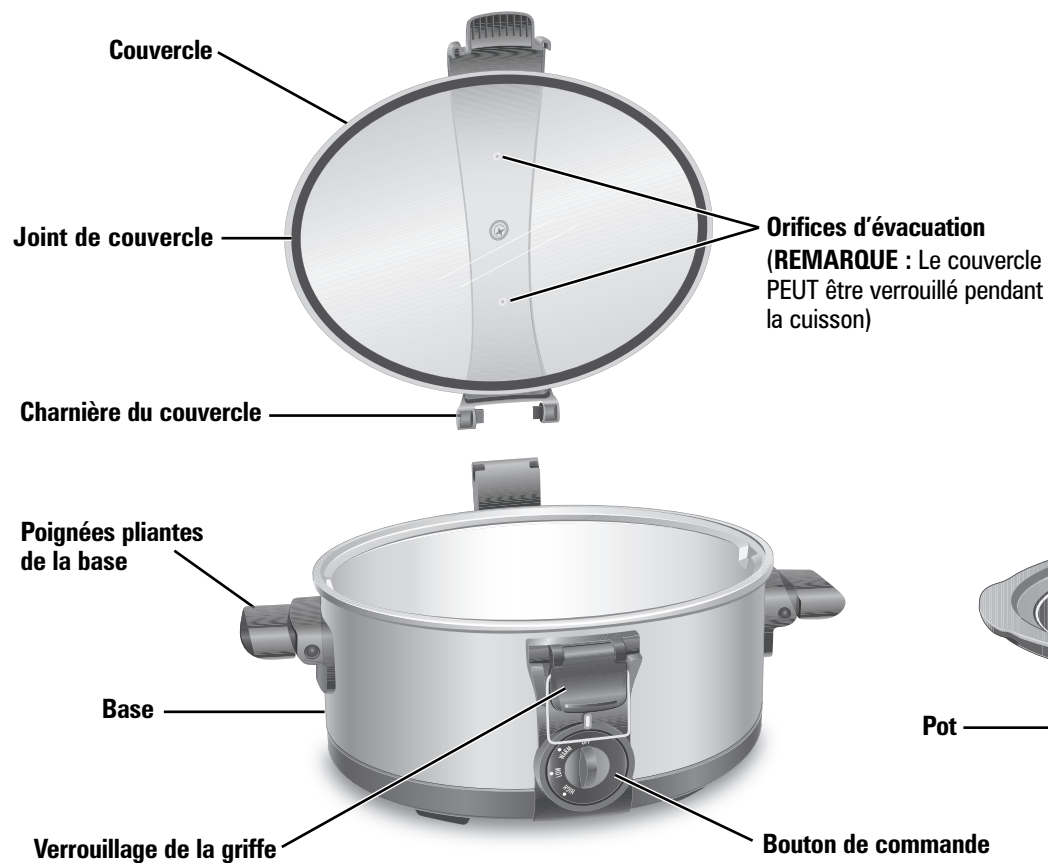
COUVERCLE ET POT: PRÉCAUTIONS ET INFORMATION

- Veuillez manipuler le pot et le couvercle avec soin pour assurer leur durabilité.
- Évitez des changements de température brusques et extrêmes. Par exemple, ne placez pas un couvercle ou un pot chaud dans l'eau froide ou sur une surface mouillée.
- Évitez de frapper le pot et le couvercle sur le robinet ou sur toute surface rigide.
- N'utilisez pas le pot ou le couvercle si l'un ou l'autre est ébréché, fendillé ou très écorché.
- N'utilisez pas de nettoyeurs abrasifs ou de tampon métallique à récurer.
- La base du pot est très rugueuse et peut endommager un revêtement de comptoir. Faites preuve de prudence.
- Le pot et son couvercle peuvent devenir très chauds. Faites preuve de prudence. Ne les déposez pas directement sur une surface ou un revêtement de comptoir non protégés.
- Le pot peut aller au four à micro-ondes et au four régulier. Évitez, toutefois, de chauffer le pot lorsqu'il est vide. Ne placez jamais le couvercle sur un rond de poêle ou directement sur le poêle. Ne placez pas le couvercle dans le four à micro-ondes, dans le four conventionnel ou directement sur le poêle.

SOULÈVEMENT DU COUVERCLE ET DU POT

Les côtés de la base de la mijoteuse deviennent très chauds car c'est là que se trouvent les éléments chauffants. Au besoin, utilisez les poignées sur la base. Utilisez des gants de cuisine pour retirer le pot.

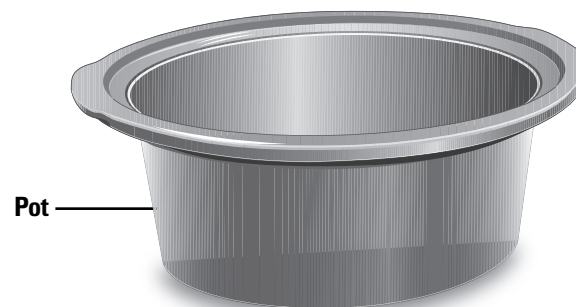
Pièces et caractéristiques



Capacité du pot : Pour des résultats optimaux, remplir le pot jusqu'à la moitié de sa capacité ou jusqu'à 2,5 cm (1 po) du rebord. Si le pot est rempli à mi-hauteur, vérifier l'état de cuisson 1 à 2 heures avant l'achèvement du temps de cuisson indiqué dans la recette.



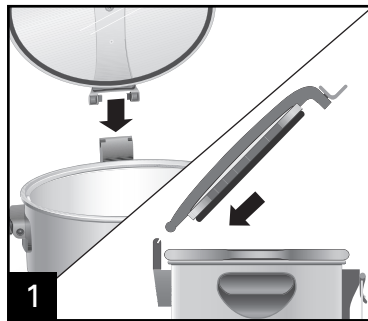
Griffe verrouillée pour la cuisson ou le transport. Ne pas ranger l'appareil lorsque le couvercle est enclenché.



Pot

Utilisation de la mijoteuse

AVANT LA PREMIÈRE UTILISATION : Laver le couvercle et le pot dans l'eau chaude savonneuse. Rincer et assécher.



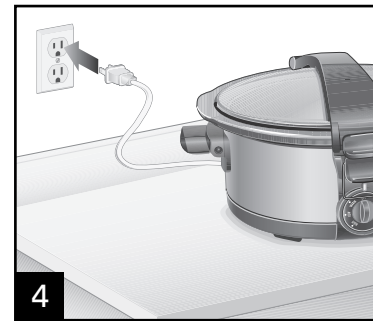
1



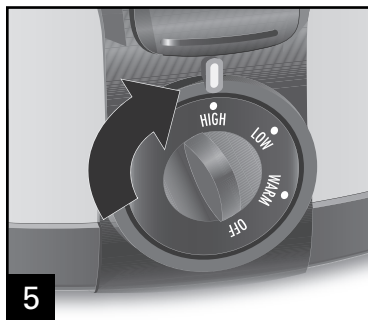
2



3



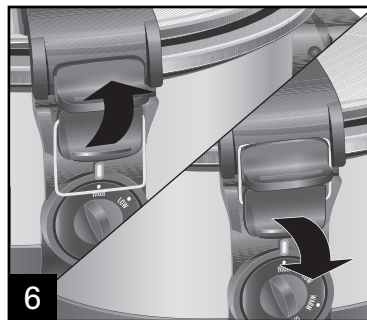
4



5

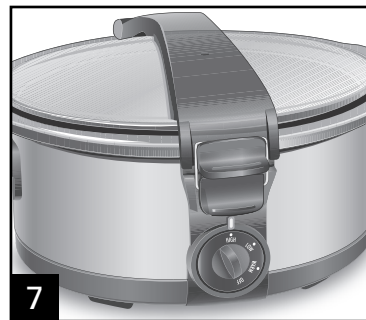
Tourner le bouton de commande à **LOW** (basse) ou **HIGH** (élevée). Ne pas cuire en utilisant le mode de **WARM** (chaud).

16



6

Le couvercle doit être déposé correctement sur la mijoteuse pour une cuisson uniforme et prévenir la perte de chaleur. Le couvercle PEUT être verrouillé pendant la cuisson.

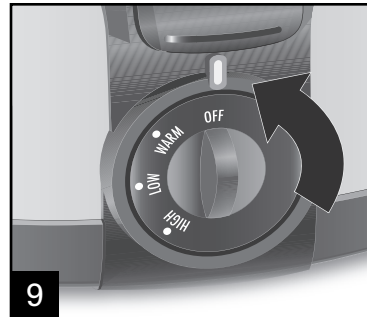


7

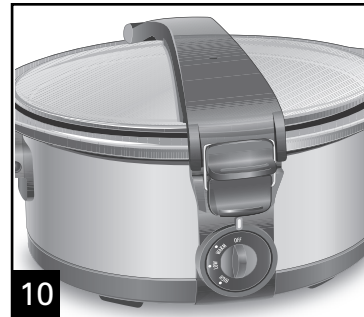
La puissance a été réglée pour compenser la perte de chaleur par les orifices d'évacuation.

⚠ AVERTISSEMENT Danger pour la salubrité des aliments. Les aliments doivent être suffisamment chauds pour prévenir toute croissance bactérienne avant d'utiliser le réglage WARM (chaud). Le réglage WARM (chaud) ne doit être utilisé qu'après la cuisson complète des aliments. Ne réchauffez pas les aliments placés sous le réglage WARM (chaud). Si les aliments ont cuit et ont été réfrigérés, réchauffez-les à température LOW (basse) ou HIGH (élevée) ; passez ensuite au réglage WARM (chaud). Visitez le site Internet foodsafety.gov pour de plus amples informations.

Utilisation de la mijoteuse (suite)



Lorsque la cuisson est terminée, tourner le bouton à **OFF** (arrêt). Utilisez des gants de cuisine pour soulever le couvercle.



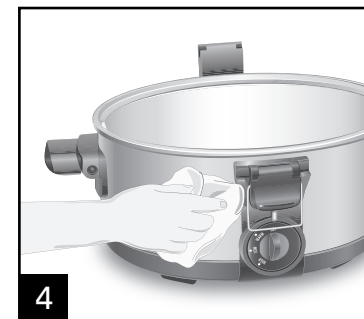
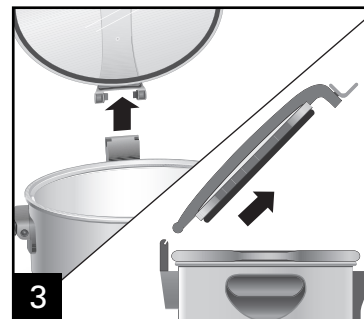
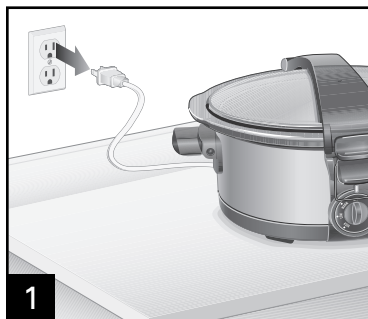
Sécuriser les griffes de serrage pour le transport.

Nettoyage et entretien

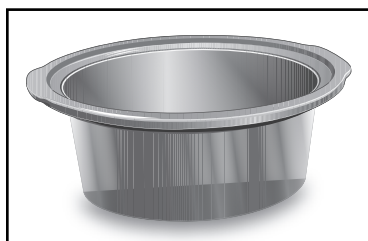
⚠ AVERTISSEMENT

Risque d'électrocution.

Débranchez l'appareil avant le nettoyage. N'immergez pas le cordon, la fiche ou la base dans tout autre liquide.



Utilisez des gants de cuisine pour retirer le pot et laisser refroidir.



**LAVABLE AU
LAVE-VAISSELLE**

Nettoyer le joint du couvercle avec de l'eau chaude savonneuse pour prévenir les odeurs persistantes des aliments produites par la plupart des contenants de plastiques. Ranger sans fermer le couvercle.

NE PAS utiliser le réglage "SANI" du lave-vaisselle. Les températures du cycle "SANI" peuvent endommager le produit. Le couvercle et le pot peuvent être lavés dans l'eau chaude savonneuse.

Conseils pour cuisson à la mijoteuse

- Pour de meilleurs résultats, remplissez le pot d'aliments jusqu'à demi-hauteur. Si le pot est rempli à demi-hauteur, vérifiez l'état de cuisson 1 à 2 heures avant l'achèvement du temps de cuisson indiqué dans la recette.
- Il n'est pas nécessaire de brasser les aliments dans la mijoteuse ; le retrait du couvercle de vitre entraîne une perte importante de chaleur, ce qui peut obliger à prolonger le temps de cuisson. Toutefois, si vous cuisez à température HIGH (élevée), vous voudrez sans doute brasser les aliments de temps à autre.
- Pour la cuisson des potages et des ragoûts, laissez un espace d'environ 5 cm (2 po) jusqu'à la bordure du pot pour permettre aux aliments de mijoter.
- Plusieurs recettes exigent toute une journée de cuisson. Si votre horaire du matin ne vous permet pas de préparer la recette, cuisinez-la le soir précédent. Déposez tous les ingrédients dans le pot, mettez le couvercle en place et réfrigérez toute la nuit. Le matin, déposez le pot dans la base.
- Certains aliments ne se prêtent pas bien à une cuisson prolongée à la mijoteuse. Versez les pâtes, les fruits de mer, le lait, la crème ou la crème sûre dans la mijoteuse 2 heures avant de servir la recette. Le lait évaporé et les soupes concentrées se prêtent bien à la cuisson à la mijoteuse.
- Plus la teneur en gras dans la viande est élevée, moins il faut de liquide pour la recette. Lorsque vous cuisez des viandes à teneur élevée en gras, déposez des tranches d'oignons épaisses sous la viande pour éviter que la viande ne repose et ne cuise dans le gras.
- Peu d'évaporation se produit lors de cuisson à la mijoteuse. Lorsque vous préparez votre soupe, votre sauce ou votre ragoût préféré, réduisez le volume de liquide indiqué dans la recette originale. Si le mélange est trop épais, vous pourrez ajouter du liquide éventuellement.
- Lorsque vous préparez une casserole de légumes, vous devrez ajouter du liquide à la recette pour éviter que le mélange ne brûle le long des parois du pot.
- Pour des recettes comprenant des légumes-racine, placer ces derniers au fond de la mijoteuse.

Conseils de sécurité pour la cuisson

- N'utilisez jamais de viande congelée, non cuite dans la mijoteuse. Dégelez toute viande ou toute volaille avant de la faire mijoter.
- Visiter le site **www.foodsafety.gov** pour plus d'information au sujet de la température de cuisson interne des aliments.
- Pour ranger les restes après la cuisson, ne PAS placer toute la mijoteuse au réfrigérateur, car la durée de refroidissement sera trop longue. Séparer les restes en les déposant dans des petits contenants et placer au réfrigérateur.
- Ne jamais laisser reposer une viande insuffisamment cuite ou crue dans une mijoteuse à la température ambiante. La viande doit être cuite dès qu'elle est placée dans la mijoteuse (sauf pour les préparations faites la veille et que la mijoteuse a été placée au réfrigérateur).

SI VOUS HABITEZ DANS UNE RÉGION À HAUTE ALTITUDE :

Les services de vulgarisation offrent les informations au sujet de la cuisson pour votre région. Pour trouver la coopérative de services de vulgarisation, veuillez visiter le site <http://www.csrees.usda.gov/Extension/>.

Carte de cuisson

Pour des résultats optimaux, remplir le pot jusqu'à mi-hauteur ou jusqu'à 2,5 cm (1 po) du rebord. Respecter toujours les instructions sur l'emballage.

Visiter le site www.foodsafety.gov pour plus d'information au sujet de la température de cuisson interne des aliments.

RECETTE	DE 3 À 5 L (PINTES)	6 À 7 L (PINTES)	INSTRUCTIONS
Pot-au-feu au boeuf	907 g (2 lb) de boeuf à braiser 5 ml (1 cuillère à café) de sel 2,5 ml (1/2 cuillère à café) de poivre 60 ml (1/4 de tasse) de bouillon de boeuf 1/2 à 1 enveloppe de soupe à l'oignon 1 oignon coupé en quartiers 2 pommes de terre coupées en quartiers 2 carottes coupées en morceaux de 2,5 cm (1 po)	1,3 à 2,2 kg (3 à 5 lb) de boeuf à braiser 7,5 ml (1,5 cuillère à café) de sel 5 ml (1 cuillère à café) de poivre 125 ml (1/2 tasse) de bouillon de boeuf 1 enveloppe de soupe à l'oignon 2 oignons coupés en quartiers 3 à 4 pommes de terre coupées en quartier 3 à 4 carottes coupées en morceaux de 2,5 cm (1 po)	<ol style="list-style-type: none"> 1. Assaisonner le boeuf à braiser avec le sel et le poivre. 2. Saisir le rôti de tous les côtés à feu moyen-fort. 3. Déposer les légumes dans le pot. 4. Déposer le rôti de boeuf sur les légumes. 5. Saupoudrer l'enveloppe de soupe à l'oignon. 6. Verser le bouillon de boeuf sur la viande et les légumes. 7. Couvrir et cuire à haute intensité (HIGH) pendant 5 heures ou à basse intensité (LOW) pendant 10 heures ou jusqu'à ce que la température interne atteigne 71 °C (160 °F) pour une cuisson mi-saignante. La cuisson à basse température (LOW) vous permettra d'obtenir une viande plus tendre.
Chili	450 g (1 lb) de boeuf haché 1 enveloppe d'assaisonnement pour chili de 40 g (1,5 oz) 1 boîte de tomates en dés de 411 g (14,5 oz) 1 boîte de haricots secs de 453 g (16 oz) égouttés et rincés	907 g (2 lb) de boeuf haché 2 enveloppes d'assaisonnement pour chili de 40 g (1,5 oz) 2 boîtes de tomates en dés de 411 g (14,5 oz) 2 boîtes de haricots secs de 453 g (16 oz) égouttés et rincés	<ol style="list-style-type: none"> 1. Mélanger le boeuf, l'assaisonnement pour chili, les tomates en dés et les haricots secs dans le pot. 2. Couvrir et cuire à haute intensité (HIGH) pendant 4 heures ou à basse intensité (LOW) pendant 8 heures ou jusqu'à ce que la température atteigne au moins 71 °C (160 °F)

Rendez-vous sur www.hamiltonbeach.ca pour notre liste complète de produits et de nos manuels utilisateur – ainsi que nos délicieuses recettes, nos conseils et pour enregistrer votre produit en ligne !



Carte de cuisson (suite)

RECETTE	DE 3 À 5 L (PINTES)	6 À 7 L (PINTES)	INSTRUCTIONS
Poulet entier	1 poulet entier de 1,3 kg (3 lb) 2 gousses d'ail pelées 1/2 citron 1 feuille de laurier 5 ml (1 cuillère à café) de sel 2,5 ml (1/2 cuillère à café) de poivre 5 ml (1 cuillère à café) de paprika	1 poulet entier de 1,8 à 2,7 kg (4 à 6 lb) (ou deux poulets de 1,3 kg [3 lb]) 3 gousses d'ail pelées 1/2 citron 2 feuilles de laurier 10 ml (2 cuillères à café) de sel 5 ml (1 cuillère à café) de poivre 5 à 10 ml (1 à 2 cuillères à café) de paprika	<ol style="list-style-type: none"> 1. Retirer les abats et le cou de la cavité des poulets. 2. Insérer l'ail, le citron et la feuille de laurier dans la cavité du poulet. 3. Assaisonner le poulet avec le sel et le poivre. 4. Placer les poulets dans le pot et saupoudrer de paprika. 5. Couvrir et cuire à haute intensité (HIGH) pendant 4 heures ou à basse intensité (LOW) pendant 8 heures ou jusqu'à ce que la température atteigne 74 °C (165 °F).

Dépannage

PROBLÈME

Les aliments ne sont pas assez cuits.

Les aliments ne sont pas cuits même après avoir suivi le temps de cuisson recommandé par ma recette.

La viande est trop cuite. Pourquoi ?

Le joint du couvercle est affaissé.

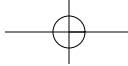
CAUSE POSSIBLE

- Les aliments ont-ils cuit avec le réglage WARM (chaud) ? Ne pas utiliser le réglage WARM (chaud) pour cuire les aliments ; toujours utiliser les intensités HIGH (élevées) ou LOW (basses).
- Y a-t-il eu une panne électrique ?
- Le réglage de basse intensité (LOW) a-t-il été choisi et utilisé pour un temps de cuisson basé sur la haute intensité (HIGH) ?
- Le couvercle était-il placé correctement sur la mijoteuse ?

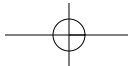
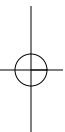
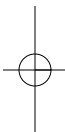
• Ceci peut survenir suite à des variations de tension électrique (phénomène commun presque partout) ou à l'altitude. Les petites variations de tension n'ont pas d'effets remarquables sur la plupart des appareils électroménagers. Cependant, elles peuvent nuire au temps de cuisson de la mijoteuse et nécessiter un temps de cuisson plus long. Allouer suffisamment de temps et choisir le réglage de température approprié. Vous apprendrez ces temps de cuisson plus ou moins longs avec l'expérience.

- Le pot était-il rempli jusqu'à la moitié de sa capacité ? La mijoteuse a été conçue pour cuire entièrement les aliments dans un pot rempli à pleine capacité. Si le pot de la mijoteuse est rempli à mi-hauteur, vérifier si la viande est cuite de 1 à 2 heures avant la fin du temps de cuisson recommandé par la recette.
- Le nombre exact d'heures a-t-il été sélectionné selon la haute intensité (HIGH) ou la basse intensité (LOW) ?
- La température des aliments continue de s'élever après avoir atteint la température désirée.

• Pour maintenir la forme du joint, ne pas cuire en enclenchant les verrous et ne pas enclencher les verrous lors du rangement.



Notes



Garantie limitée

Cette garantie s'applique aux produits achetés aux É.-U. et au Canada. C'est la seule garantie expresse pour ce produit et est en lieu et place de tout autre garantie ou condition.

Ce produit est garanti contre tout défaut de matériaux et de main-d'oeuvre pour une période de un (1) an à compter de la date d'achat d'origine. Au cours de cette période, votre seul recours est la réparation ou le remplacement de ce produit ou tout composant s'avérant défectueux, à notre gré, mais vous êtes responsable de tous les coûts liés à l'expédition du produit et le retour d'un produit ou d'un composant dans le cadre de cette garantie. Si le produit ou un composant n'est plus offert, nous le remplacerons par un produit similaire de valeur égale ou supérieure.

Cette garantie ne couvre pas le verre, les filtres, l'usure d'un usage normal, l'utilisation non conforme aux directives imprimées, ou des dommages au produit résultant d'un accident, modification, utilisation abusive ou incorrecte. Cette garantie s'applique seulement à l'acheteur original ou à la personne l'ayant reçu en cadeau. La présentation du reçu de vente d'origine comme preuve d'achat est nécessaire pour faire une réclamation au titre de cette garantie. Cette garantie s'annule si le produit est utilisé autrement que par une famille ou si l'appareil est soumis à toute tension ou forme d'onde différente des caractéristiques nominales précisées sur l'étiquette (par ex. : 120 V ~ 60 Hz).

Nous excluons toutes les réclamations au titre de cette garantie pour les dommages spéciaux, consécutifs et indirects causés par la violation de garantie expresse ou implicite. Toute responsabilité est limitée au prix d'achat. **Chaque garantie implicite, y compris toute garantie ou condition de qualité marchande ou d'adéquation à un usage particulier, est exonérée, sauf dans la mesure interdite par la loi, auquel cas la garantie ou condition est limitée à la durée de cette garantie écrite.** Cette garantie vous donne des droits légaux précis. Vous pouvez avoir d'autres droits qui varient selon l'endroit où vous habitez. Certaines provinces ne permettent pas les limitations sur les garanties implicites ou les dommages spéciaux ou indirects de telle sorte que les limitations ci-dessus ne s'appliquent peut-être pas à votre cas.

Ne pas retourner cet appareil au magasin lors d'une réclamation au titre de cette garantie. Téléphoner au 1.800.851.8900 aux É.-U. ou au 1.800.267.2826 au Canada ou visiter le site internet www.hamiltonbeach.com aux É.-U. ou www.hamiltonbeach.ca au Canada. Pour un service plus rapide, trouvez le numéro de modèle, le type d'appareil et les numéros de série sur votre appareil.

SALVAGUARDIAS IMPORTANTES

Cuando utilice artefactos eléctricos, siempre deben seguirse precauciones de seguridad básicas a fin de reducir el riesgo de incendio, descarga eléctrica, y/o lesiones a personas, incluyendo las siguientes:

1. Lea todas las instrucciones.
2. Verifique que el voltaje de su instalación corresponda con el del producto.
3. No toque superficies calientes. Use los mangos o las perillas.
4. Para protegerse contra el riesgo de choque eléctrico, no sumerja el cordón, el enchufe ni la base en agua ni en ningún otro líquido.
5. Es necesario que haya buena supervisión cuando los niños utilicen aparatos o cuando éstos se estén utilizando cerca de niños.
6. Desenchúfelo del tomacorriente cuando no lo esté usando y antes de la limpieza. Deje que se enfríe antes de colocar o sacar alguna pieza.
7. No opere ningún aparato eléctrico si el cordón o el enchufe están averiados, después de un mal funcionamiento del aparato, o si éste se ha caído o averiado de alguna forma. Llame a nuestro número de llamada gratis de servicio al cliente, para obtener información sobre el examen, la reparación o ajuste.
8. El uso de accesorios no recomendados por el fabricante de electrodomésticos puede causar incendios, choques eléctricos o lesiones.
9. No lo use al aire libre.
10. No deje que el cordón cuelgue sobre el borde de una mesa o de un mostrador, o que toque alguna superficie caliente, incluyendo la superficie de una estufa.
11. No coloque el aparato sobre o cerca de una fuente de gas caliente o de un quemador eléctrico, ni dentro de un horno caliente.
12. Es importante tener extremo cuidado cuando se mueva un aparato electrodoméstico que contenga aceite caliente u otros líquidos calientes.
13. Para desconectar la olla eléctrica de cocimiento lento, coloque la perilla en la posición OFF (apagado); saque el enchufe del tomacorriente.
14. **PRECAUCIÓN:** Para evitar daños o peligros de choque eléctrico no cocine sobre la base. Cocine solamente dentro del revestimiento desmontable.
15. Evite cambios repentinos de temperatura, como la adición de alimentos refrigerados en una el recipiente de cerámica caliente.
16. No use el aparato electrodoméstico para ningún otro fin que no sea el indicado.

¡GUARDE ESTAS INSTRUCCIONES!

INFORMACIÓN ADICIONAL DE SEGURIDAD

Este aparato ha sido diseñado solamente para uso doméstico.

Este producto está concebido para la preparación, cocción y servicio de alimentos. Este producto no está concebido para su uso con materiales o productos no alimenticios.

¡ADVERTENCIA! Peligro de descarga eléctrica: Este aparato cuenta con un enchufe polarizado (una pata más ancha) que reduce el riesgo de una descarga eléctrica. El enchufe embona únicamente en una dirección dentro de un tomacorriente polarizado. No trate de obviar el propósito de seguridad del enchufe modificándolo de alguna manera o utilizando un adaptador. Si el enchufe no entra completamente en la toma, invierta el enchufe. Si aún no entra, haga que un eléctrico reemplace la toma.

El largo del cable que se usa en este aparato fue seleccionado para reducir el peligro de que alguien se enganche o tropiece con un cable más largo. Si es necesario usar un cable más largo, se podrá usar un cable de extensión aprobado. La clasificación eléctrica nominal del cable de extensión debe ser igual o mayor que la clasificación nominal del aparato. Es importante tener cuidado de colocar el cable de extensión para que no se pliegue sobre el mostrador o la mesera en donde niños puedan tirar del mismo o tropezarse accidentalmente.

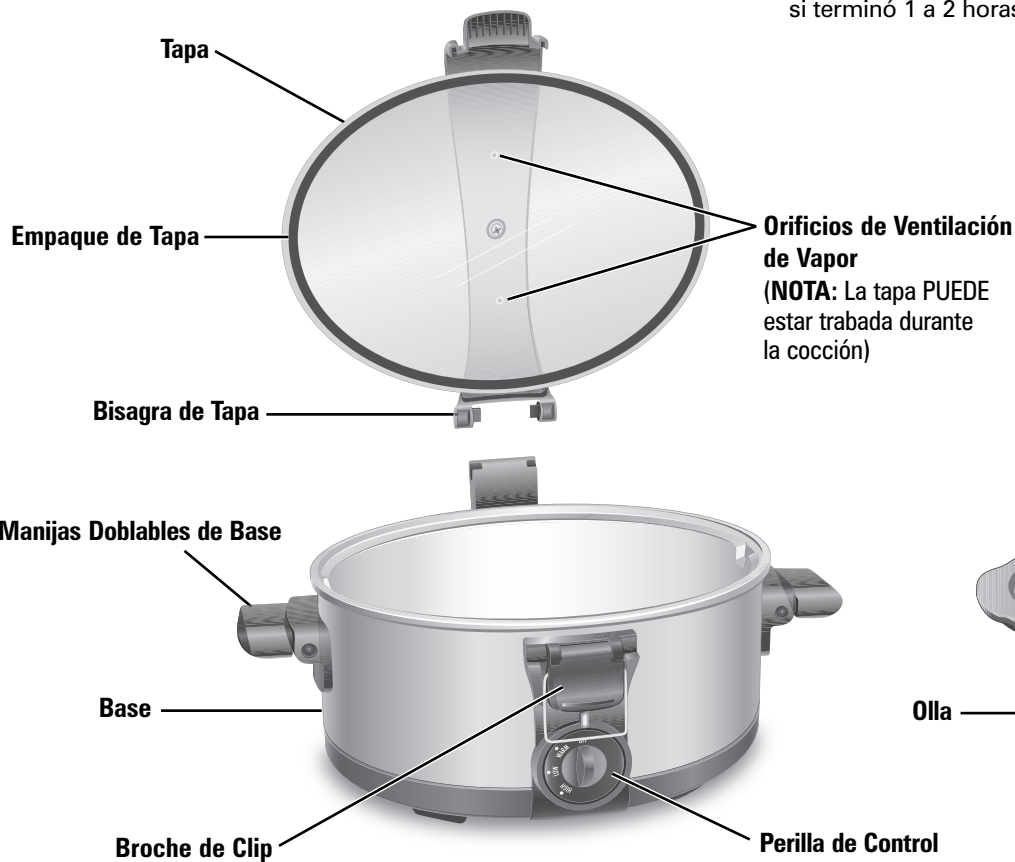
TAPA Y OLLA: PRECAUCIONES E INFORMACIÓN

- Por favor maneje la olla y tapa cuidadosamente para asegurarles una vida larga.
- Evite cambios repentinos y extremos de temperatura. Por ejemplo, no coloque una tapa u olla caliente en agua fría o sobre una superficie húmeda.
- Evite golpear al olla y tapa contra el fregadero u otra superficie dura.
- No use la olla o tapa si está astillada, quebrada o severamente tallada.
- No use limpiadores abrasivos o estropajos de metal.
- La parte inferior de la olla es muy áspera y puede dañar una cubeirta. Tenga precaución.
- La olla y tapa pueden volverse muy calientes. Tenga precaución. No los ponga directamente sobre ninguna superficie o cubierta desprotegida.
- La olla puede usarse en microondas y es a prueba de hornos, pero nunca caliente la olla cuando esté vacía. Nunca coloque la tapa en un quemador o sobre la estufa. No coloque la tapa en un horno de microondas, horno convencional o sobre la estufa.

REMUEVA LA TAPA Y OLLA

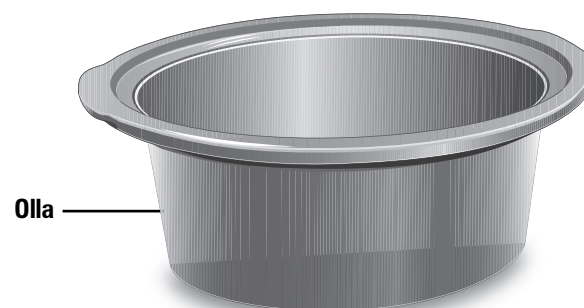
Los lados de la base de la olla de cocimiento lento se ponen muy calientes debido a los elementos caloríficos localizados en ella. Use las manijas en la base si es necesario. Uso guantes para remover la olla.

Partes y Características



Capacidad de Olla

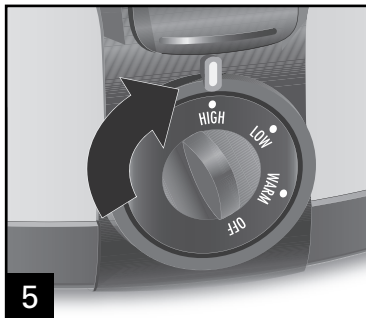
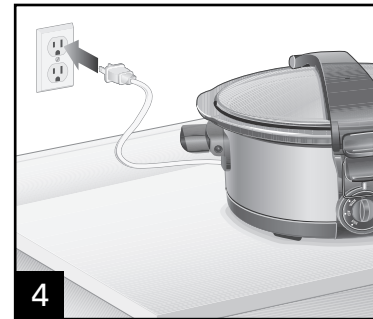
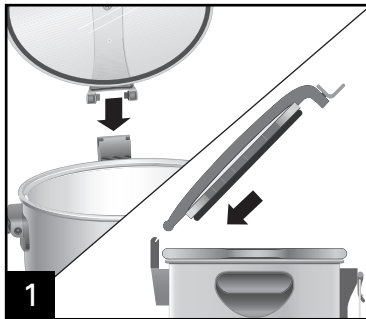
Para mejores resultados, llene la olla al menos a la mitad pero no más de una pulgada del borde. Si sólo está llena a la mitad, revise si terminó 1 a 2 horas más temprano de lo que señala la receta.



Cómo Usar Su Olla de Coccion

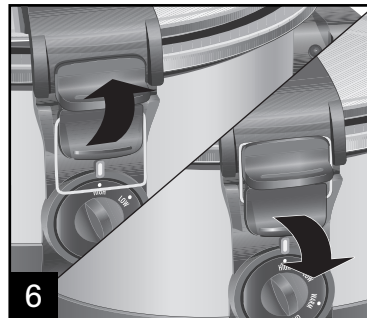
ANTES DE USAR POR PRIMERA VEZ: Lave la tapa y olla en agua caliente jabonosa. Enjuague y seque.

⚠ ADVERTENCIA Peligro de Seguridad de Comida. La comida de estar lo suficientemente caliente para prevenir el crecimiento de bacterias antes de usar el ajuste de WARM (caliente). El ajuste de WARM (caliente) debe ser usado solamente después de que una receta ha sido cocinada completamente. No recaliente la comida en el ajuste WARM (caliente). Si la comida ha sido cocinada y luego refrigerada, recaliente en LOW (bajo) o HIGH (alto), luego cambie a WARM (caliente). Visite foodsafety.gov para más información.



Gire la perilla de control a **LOW** (bajo) o **HIGH** (alto). No cocine en **WARM** (caliente).

28

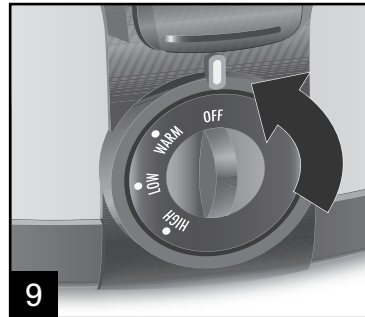


La tapa debe estar nivelada sobre la olla para lograr una cocción pareja y para evitar la pérdida de calor. La tapa PUEDE estar trabada durante el proceso de cocción.

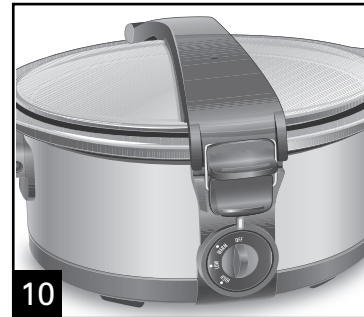


El wattaje ha sido ajustado para compensar la pérdida de calor a través de los hoyos de ventilación.

Cómo Usar Su Olla de Coccion (cont.)



Quando termine, APÁGUELO (OFF). Uso guantes para levantar la tapa.



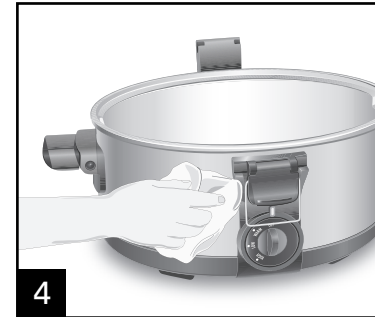
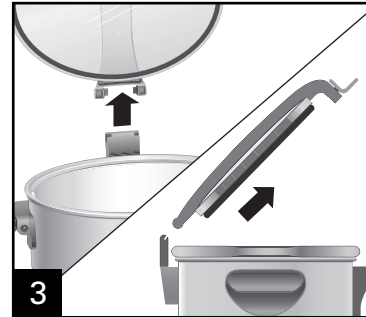
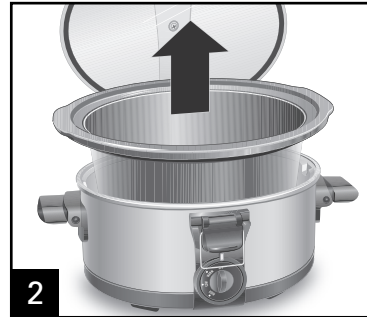
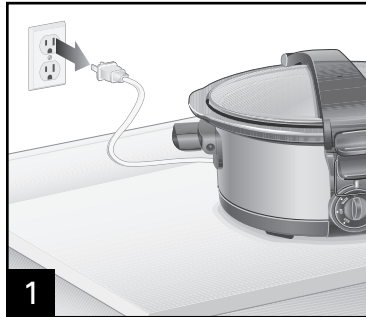
Asegure los clips de alambre para transportarlo.

Limpeza y Cuidado

⚠ ADVERTENCIA

Peligro de Descarga Eléctrica.

Desconecte la energía antes de limpiar. No sumerja el cable, enchufe o base en ningún líquido.



Uso guantes para remover la olla y deje enfriar.



No utilice la configuración "SANI" cuando la lave en el lavavajillas. Las temperaturas del ciclo "SANI" pueden dañar su producto. La tapa y la olla pueden lavarse en agua caliente jabonosa.

30

Concejos para Cocinar Lento

- La olla debe estar por lo menos llenada a la mitad para mejores resultados. Si sólo está llena a la mitad, revise si terminó 1 a 2 horas más temprano de lo que señala la receta.
- No se requiere menear cuando se cocina lento y remover la tapa de vidrio resulta en una gran pérdida de calor y puede necesitar que se extienda el tiempo de cocinado. Sin embargo, si se cocina en HIGH (alto), puede querer menear ocasionalmente.
- Si cocina sopas o guisados, deje un espacio de 2 pulgadas (5 cm) entre la parte superior de la olla y la comida de manera que la receta pueda hervir.
- Muchas recetas requieren cocerse todo el día. Si su programa matutino no le deja tiempo para preparar una receta, hágalo la noche anterior. Coloque todos los ingredientes en la olla, cubra con la tapa y refrigere durante la noche. En la mañana, coloque la olla en la base.
- Algunos alimentos no se adaptan a un cocimiento extendido en una olla de cocimiento lento. La pasta, mariscos, leche, crema o crema agria deben de agregarse 2 horas antes de servirse. La leche evaporada o sopas condensadas son perfectas para el cocimiento lento.
- Entre más contenido de grasa tenga la carne, menos líquido necesita. Si cocina carne con alto contenido de grasa, coloque rebanadas gruesas de cebolla debajo de la carne de manera que la carne no se asiente (y cocine) en la grasa.
- Las ollas de cocimiento lento permiten muy poca evaporación. Si hace su sopa, guisado o salsa favorita, reduzca el líquido indicado en la receta original. Si está muy espeso, se puede agregar líquido posteriormente.
- Si cocina una cacerola de tipo vegetal, necesita haber líquido en el recipiente para prevenir que se quemen los lados de la olla.
- Si va a realizar una receta con vegetales de raíz, colóquelos en la parte inferior de la olla.

Consejos de Seguridad de Alimentos

- No use carne congelada sin cocinar en la olla de cocción lenta. Descongele todas las carnes vacunas y de aves antes de iniciar la cocción lenta.
- Para obtener más información sobre temperaturas seguras de cocción interna, visite www.foodsafety.gov.
- Para almacenar sobras después de la cocción, NO coloque toda la olla en el refrigerador porque los alimentos tardarán demasiado en enfriarse. Divida las sobras en recipientes más pequeños y colóquelos en el refrigerador.
- Nunca permita que carne cruda o poco cocida quede a temperatura ambiente dentro de la olla de cocción lenta. Una vez que la carne se coloca en la olla, ésta debe cocinarse de inmediato (a menos que se prepare la olla de cocción lenta la noche anterior, en cuyo caso la olla debe colocarse en el refrigerador).

SI USTED VIVE EN UNA ÁREA DE ALTITUD ELEVADA:

El servicio de extensión tendrá información detallada sobre cocción en su área. Para ubicar el servicio de extensión cooperativa en su condado, tenga a bien visitar la siguiente página:
<http://www.csrees.usda.gov/Extension/>.

Tabla para Cocinar

Para mejores resultados, llene la olla al menos a la mitad pero no más de una pulgada del borde. Siempre siga las direcciones del empaque.

Visite www.foodsafety.gov para más información sobre temperaturas internas seguras para cocinar.

RECETA	3-5 CTS/L	6-7 CTS/L	INSTRUCCIONES
Carne Asada en Olla	2 libras (907 g) de carne asada en olla 1 cucharadita (5 ml) de sal 1/2 cucharadita (2.5 ml) de pimienta 1/4 (60 ml) de taza de caldo de carne 1/2 a 1 envuelto de mezcla de cebolla seca 1 cebolla, cortada en cuartos 2 papas, cortadas en cuartos 2 zanahorias, cortadas en pedazos de 1 pulgada (2.5 cm)	3-5 libras (1.3-2.2 kg) de carne asada en olla 1.5 cucharaditas (7.5 ml) de sal 1 cucharadita (5 ml) de pimienta 1/2 taza (125 ml) de caldo de carne 1 envuelto de mezcla de cebolla seca 2 cebollas, cortadas en cuartos 3-4 papas, cortadas en cuartos 3-4 zanahorias, cortadas en pedazos de 1 pulgada (2.5 cm)	1. Sazone el asado con sal y pimienta. 2. Caliente en medio-alto hasta asar todos los lados. 3. Coloque los vegetales en la olla. 4. Coloque el asado sobre los vegetales. 5. Rocíe con mezcla de sopa de cebolla. 6. Salpique caldo de carne sobre carne y vegetales. 7. Cubra y cocine en HIGH (alto) por 5 horas, LOW (baja) por 10 horas o hasta que la temperatura interna sea de por lo menos 160°F (71°C) para media. Cocinar en el ajuste LOW (baja) resultará en una carne más suave.
Chili	1 libra (450 g) de carne molida 1 envuelto de 1.5 onzas (40 g) de sazónador de chili 1 lata de 14.5 onzas (411 g) de tomate en cuadritos 1 lata de 16 onzas (453 g) de alubias rojas, drenadas y secadas	2 libras (907 g) de carne molida 2 envueltos de 1.5 onzas (40 g) de sazónador de chili 2 latas de 14.5 (411 g) de tomate en cuadritos 2 latas de 16 onzas (453 g) de alubias rojas, drenadas y secadas	1. Combine la carne, sazónador de chili, tomate en cuadritos y alubias rojas en la olla. 2. Cubra y cocine en HIGH (alto) por 4 horas, LOW (baja) por 8 horas o hasta que la temperatura sea de por lo menos 160°F (71°C).

¡Visite www.hamiltonbeach.com.mx para obtener nuestra línea completa de productos y las Guías de Uso y Cuidado, además de deliciosas recetas, consejos y para registrar su producto en línea!



Tabla para Cocinar (cont.)

RECETA	3-5 CTS/L	6-7 CTS/L	INSTRUCCIONES
Pollo Entero	Pollo entero de 3 libras (1.3 kg) 2 dientes de ajos, pelados 1/2 limón 1 laurel 1 cucharadita (5 ml) de sal 1/2 cucharadita (2.5 ml) pimienta 1 cucharadita (5 ml) de pimentón	Pollo entero de 4-6 libras (1.8-2.7 kg) (o dos pollos de 3 libras [1.3 kg]) 3 dientes de ajo, pelados 1/2 limón 2 laureles 2 cucharaditas (10 ml) sal 1 cucharadita (5 ml) de pimienta 1-2 cucharaditas (5-10 ml) de pimentón	<ol style="list-style-type: none"> 1. Remueva los menudillos/cuello de la cavidad del pollo(s). 2. Coloque el ajo, limón y laurel en la cavidad de pollo. 3. Sazone el(los) pollo(s) con sal y pimienta. 4. Coloque el(los) pollo(s) en la olla de cocina y rocíe con pimentón. 5. Cubra y cocine en HIGH (alto) por 4 horas, LOW (baja) por 8 horas o hasta que la temperatura interna sea de por lo menos 165°F (74°C).

Resolviendo Problemas

PROBLEMA

PROBABLE CAUSA

A la comida le falta cocer.

- ¿Se cocinó la comida en el ajuste de WARM (caliente)? No cocine en WARM (caliente); siempre cocine en los ajustes de calor HIGH (alto) o LOW (bajo).
- ¿Se interrumpió la corriente?
- ¿Seleccionó el ajuste de calor LOW (bajo), pero uso el tiempo de cocción basado en el ajuste de calor HIGH (alto)?
- ¿Colocó la tapa correctamente en la olla?

La comida no se coció después de la cantidad de tiempo recomendada por mi receta.

- Esto se puede deber a las variaciones de voltaje (que es común en todos lados) o la altitud. Las ligeras fluctuaciones en la corriente no tienen efectos notables en la mayoría de los aparatos. Sin embargo, puede alterar los tiempos de cocción en una olla de cocimiento lento al extender los tiempos de cocción. De un tiempo suficiente y seleccione el ajuste de calor adecuado. Aprenderá con la experiencia si se requiere de un tiempo menor o mayor.

Mi comida se coció de más. ¿Por qué?

- ¿Estaba al menos medio llena la olla? La olla de cocimiento lento ha sido diseñada para cocer completamente el alimento con una olla llena. Si la olla está sólo llena a la mitad, revise que esté lista 1 a 2 horas más temprano de lo que señala la receta.
- ¿Seleccionó el número correcto de horas basado en la temperatura de cocción (Bajo o Alto)?
- Los alimentos continuarán incrementando la temperatura después que la temperatura deseada se ha alcanzado.

Se colapsó el empaque de la tapa.

- Para ayudar a mantener la forma del empaque, no cocine con los broches ajustados y no almacene la unidad vacía con los broches ajustados.

Hamilton Beach®

Grupo HB PS, S.A. de C.V.
 Monte Elbruz No. 124 Int. 601
 Col. Palmitas Polanco
 México, D.F. C.P. 11560
 01-800-71-16-100

PÓLIZA DE GARANTÍA

PRODUCTO:	MARCA:	MODELO:
<p>Grupo HB PS, S.A. de C.V. cuenta con una Red de Centros de Servicio Autorizada, por favor consulte en la lista anexa el nombre y dirección de los establecimientos en la República Mexicana en donde usted podrá hacer efectiva la garantía, obtener partes, componentes, consumibles y accesorios; así como también obtener servicio para productos fuera de garantía. Para mayor información llame sin costo: Centro de Atención al consumidor: 01 800 71 16 100</p>		
<p>Grupo HB PS, S.A. de C.V. le otorga a partir de la fecha de compra: GARANTÍA DE 1 AÑO.</p>		
COBERTURA		
<ul style="list-style-type: none"> • Esta garantía ampara, todas las piezas y componentes del producto que resulten con defecto de fabricación incluyendo la mano de obra. • Grupo HB PS, S.A. de C.V. se obliga a reemplazar, reparar o reponer, cualquier pieza o componente defectuoso; proporcionar la mano de obra necesaria para su diagnóstico y reparación, todo lo anterior sin costo adicional para el consumidor. • Esta garantía incluye los gastos de transportación del producto que deriven de su cumplimiento dentro de su red de servicio. 		
LIMITACIONES		
<ul style="list-style-type: none"> • Esta garantía no ampara el reemplazo de piezas deterioradas por uso o por desgaste normal, como son: cuchillas, vasos, vasos, filtros, etc. • Grupo HB PS, S.A. de C.V. no se hace responsable por los accidentes producidos a consecuencia de una instalación eléctrica defectuosa, ausencia de toma de tierra, clavija de enchufe en mal estado, etc. 		
EXCEPCIONES		
<p>Esta garantía no será efectiva en los siguientes casos:</p> <ol style="list-style-type: none"> a) Cuando el producto se hubiese utilizado en condiciones distintas a las normales. (Uso industrial, semi-industrial o comercial.) b) Cuando el producto no hubiese sido operado de acuerdo con el instructivo de uso. c) Cuando el producto hubiese sido alterado o reparado por personas no autorizadas por Grupo HB PS, S.A. de C.V. el fabricante nacional, importador o comercializador responsable respectivo. d) Esta garantía pierde su validez si el producto es utilizado en un medio diferente a una vivienda unifamiliar o se somete a cualquier voltaje o forma de onda diferente a la especificada en la etiqueta de clasificación (ej., 120V ~ 60 Hz). <p>El consumidor puede solicitar que se haga efectiva la garantía ante la propia casa comercial donde adquirió su producto, siempre y cuando Grupo HB PS, S.A. de C.V. no cuente con talleres de servicio.</p>		

PROCEDIMIENTO PARA HACER EFECTIVA LA GARANTÍA

- Para hacer efectiva la garantía no deben exigirse mayores requisitos que la presentación del producto y la póliza correspondiente, debidamente sellada por el establecimiento que lo vendió.
- Para hacer efectiva la garantía, lleve su aparato al Centro de Servicio Autorizado más cercano a su domicilio (consulte la lista anexa).
- Si no existe Centro de Servicio Autorizado en su localidad llame a nuestro Centro de Atención al Consumidor para recibir instrucciones de como hacer efectiva su garantía.
- El tiempo de reparación, en ningún caso será mayor de 30 días naturales contados a partir de la fecha de recepción del producto en nuestros Centros de Servicio Autorizados.
- En caso de que el producto haya sido reparado o sometido a mantenimiento y el mismo presente deficiencias imputables al autor de la reparación o del mantenimiento dentro de los treinta días naturales posteriores a la entrega del producto al consumidor, éste tendrá derecho a que sea reparado o mantenido de nuevo sin costo alguno. Si el plazo de la garantía es superior a los treinta días naturales, se estará a dicho plazo.
- El tiempo que duren las reparaciones efectuadas al amparo de la garantía no es computable dentro del plazo de la misma. Cuando el bien haya sido reparado se iniciará la garantía respecto de las piezas repuestas y continuará con relación al resto. En el caso de reposición del bien deberá renovarse el plazo de la garantía.

DÍA__ MES__ AÑO__

Si desea hacer comentarios o sugerencias con respecto a nuestro servicio o tiene alguna queja derivada de la atención recibida en alguno de nuestros Centros de Servicio Autorizados, por favor dirigirse a:

GERENCIA INTERNACIONAL DE SERVICIO
01 800 71 16 100

Email: mexico.service@hamiltonbeach.com.mx

RED DE CENTROS DE SERVICIO AUTORIZADA GRUPO HB PS, S.A. DE C.V.**Distrito Federal****ELECTRODOMÉSTICOS**

Av. Plutarco Elías Cailles No. 1499

Zacahuitzco MEXICO 09490 D.F.

Tel: 01 55 5235 2323 • Fax: 01 55 5243 1397

CASA GARCIA

Av. Patriotismo No. 875-B

Mixcoac MEXICO 03910 D.F.

Tel: 01 55 5563 8723 • Fax: 01 55 5615 1856

Nuevo Leon**FERNANDO SEPULVEDA REFACCIONES**

Ruperto Martínez No. 238 Ote.

Centro MONTERREY, 64000 N.L.

Tel: 01 81 8343 6700 • Fax: 01 81 8344 0486

Jalisco**SERVICIOS DE MANTENIMIENTO CASTILLO**

Garibaldi No. 1450

Ladrón de Guevara

GUADALAJARA 44660 Jal.

Tel: 01 33 3825 3480 • Fax: 01 33 3826 1914

Chihuahua**DISTRIBUIDORA TURMIX**

Av. Paseo Triunfo de la Rep. No. 5289 Local 2 A.

Int. Hipermart

Alamos de San Lorenzo

CD. JUAREZ 32340 Chih.

Tel: 01 656 617 8030 • Fax: 01 656 617 8030

Modelos:**33461****33471, 33472****Tipos:****SC44****SC50****Características Eléctricas:****120V ~ 60Hz 265W****120V ~ 60Hz 295W**

Los modelos incluidos en el instructivo de Uso y Cuidado pueden ir seguidos o no por un sufijo correspondiente a una o varias letras del alfabeto y sus combinaciones, separadas o no por un espacio, coma, diagonal, o guión. Como ejemplos los sufijos pueden ser: "Y" y/o "MX" y/o "MXY" y/o "Z".

Free Manuals Download Website

<http://myh66.com>

<http://usermanuals.us>

<http://www.somanuals.com>

<http://www.4manuals.cc>

<http://www.manual-lib.com>

<http://www.404manual.com>

<http://www.luxmanual.com>

<http://aubethermostatmanual.com>

Golf course search by state

<http://golfingnear.com>

Email search by domain

<http://emailbydomain.com>

Auto manuals search

<http://auto.somanuals.com>

TV manuals search

<http://tv.somanuals.com>