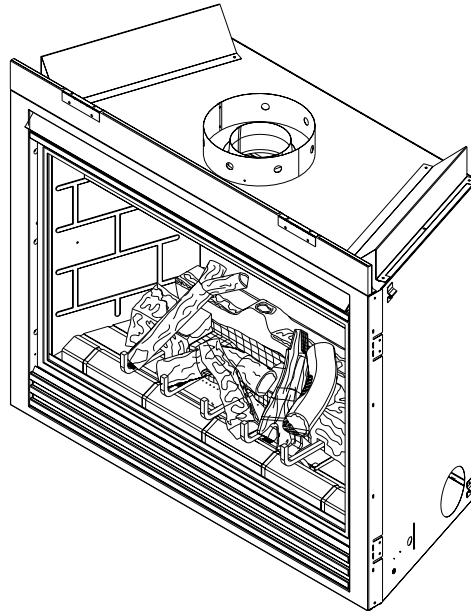




# Heat-N-Glo

**Model:  
8000TVC**

## Installers Guide



**WARNING**  
**IF THE INFORMATION IN THESE INSTRUCTIONS IS NOT FOLLOWED EXACTLY, A FIRE OR EXPLOSION MAY RESULT CAUSING PROPERTY DAMAGE, PERSONAL INJURY, OR DEATH.**

- Do not store or use gasoline or other flammable vapors and liquids in the vicinity of this or any other appliance.
- **What to do if you smell gas**
  - Do not try to light any appliance.
  - Do not touch any electrical switch.
  - Do not use any phone in your building.
  - Immediately call your gas supplier from a neighbor's phone. Follow the gas supplier's instructions.
  - If you cannot reach your gas supplier, call the fire department.
- Installation and service must be performed by a qualified installer, service agency, or the gas supplier.

**READ THIS MANUAL BEFORE INSTALLING OR OPERATING THIS APPLIANCE. THIS *INSTALLERS GUIDE* MUST BE LEFT WITH THE APPLIANCE FOR FUTURE REFERENCE.**

**WARNING: IMPROPER INSTALLATION, ADJUSTMENT, ALTERATION, SERVICE OR MAINTENANCE CAN CAUSE INJURY OR PROPERTY DAMAGE. REFER TO THIS MANUAL. FOR ASSISTANCE OR ADDITIONAL INFORMATION CONSULT A QUALIFIED INSTALLER, SERVICE AGENCY, OR THE GAS SUPPLIER.**

Please contact your Heat-N-Glo dealer with any questions or concerns. For the number of your nearest Heat-N-Glo dealer, please call 612-985-6000.

Printed in U.S.A. Copyright 1999,  
Heat-N-Glo, a division of Hearth Technologies Inc.  
20802 Kensington Blvd., Lakeville, MN 55044

This product is covered by one or more of the following patents: (United States) 4,112,913; 4,408,594; 4,422,426; 4,424,792; 4,520,791; 4,793,322; 4,852,548; 4,875,464; 5,000,162; 5,016,609; 5,076,254; 5,191,877; 5,218,953; 5,328,356; 5,429,495; 5,452,708; 5,542,407; 5,613,487; (Australia) 543790;586383; (Canada) 1,123,296; 1,297,746; 2,195,264; (Mexico) 97-0457; (New Zealand) 200265; or other U.S. and foreign patents pending.

258-900C 10/99

## SAFETY AND WARNING INFORMATION



**READ** and **UNDERSTAND** all instructions carefully before starting the installation. **FAILURE TO FOLLOW** these installation instructions may result in a possible fire hazard and will void the warranty.



Prior to the first firing of the fireplace, **READ** the Using Your Fireplace section of the *Owners Guide*.



**DO NOT USE** this appliance if any part has been under water. Immediately **CALL** a qualified service technician to inspect the unit and to replace any part of the control system and any gas control which has been under water.



**THIS UNIT IS NOT FOR USE WITH SOLID FUEL.**



Installation and repair should be **PERFORMED** by a qualified service person. The appliance and venting system should be **INSPECTED** before initial use and at least annually by a professional service person. More frequent cleaning may be required due to excessive lint from carpeting, bedding material, etc. It is **IMPERATIVE** that the unit's control compartment, burners, and circulating air passageways **BE KEPT CLEAN** to provide for adequate combustion and ventilation air.



Always **KEEP** the appliance clear and free from combustible materials, gasoline, and other flammable vapors and liquids.



**NEVER OBSTRUCT** the flow of combustion and ventilation air. Keep the front of the appliance **CLEAR** of all obstacles and materials for servicing and proper operations.



Due to the high temperature, the appliance should be **LOCATED** out of traffic areas and away from furniture and draperies. Clothing or flammable material **SHOULD NOT BE PLACED** on or near the appliance.



Children and adults should be **ALERTED** to the hazards of high surface temperature and should **STAY AWAY** to avoid burns or clothing ignition. Young children should be **CAREFULLY SUPERVISED** when they are in the same room as the appliance.



These units **MUST** use one of the vent systems described in the Installing the Fireplace section of the *Installers Guide*. **NO OTHER** vent systems or components **MAY BE USED**.



This gas fireplace and vent assembly **MUST** be vented directly to the outside and **MUST NEVER** be attached to a chimney serving a separate solid fuel burning appliance. Each gas appliance **MUST USE** a separate vent system. Common vent systems are **PROHIBITED**.



**INSPECT** the external vent cap on a regular basis to make sure that no debris is interfering with the air flow.



The glass door assembly **MUST** be in place and sealed, and the trim door assembly **MUST** be in place on the fireplace before the unit can be placed into safe operation.



**DO NOT OPERATE** this appliance with the glass door removed, cracked, or broken. Replacement of the glass door should be performed by a licensed or qualified service person. **DO NOT** strike or slam the glass door.



The glass door assembly **SHALL ONLY** be replaced as a complete unit, as supplied by the gas fireplace manufacturer. **NO SUBSTITUTE** material may be used.



**DO NOT USE** abrasive cleaners on the glass door assembly. **DO NOT ATTEMPT** to clean the glass door when it is hot.



Turn off the gas before servicing this appliance. It is recommended that a qualified service technician perform an appliance check-up at the beginning of each heating season.



Any safety screen or guard removed for servicing must be replaced before operating this appliance.

## Table of Contents

<b>Safety and Warning Information .....</b>	<b>i</b>
<b>Section 1: Approvals and Codes .....</b>	<b>1</b>
Approval Listings and Codes .....	1
Appliance Certification .....	1
Installation Codes .....	1
High Altitude Installations .....	1
<b>Section 2: Getting Started .....</b>	<b>2</b>
Introducing the Heat-N-Glo Gas Fireplaces .....	2
Pre-installation Preparation .....	2
<b>Section 3: Installing the Fireplace .....</b>	<b>4</b>
Step 1 Locating the Fireplace .....	4
Step 2 Framing the Fireplace .....	5
Step 3 Negative Pressure Make-up Air .....	5
Step 4 Installing the Vent System .....	7
A. Vent System Approvals .....	7
B. System Components .....	7
C. Bedroom Installation in Canada .....	9
D. Vent Termination .....	9
Step 5 Positioning, Leveling, and Securing the Fireplace .....	10
Step 6 The Gas Control Systems .....	10
Step 7 The Gas Supply Line .....	12
Step 8 Gas Pressure Requirements .....	13
Step 9 Wiring the Fireplace .....	14
Step 10 Finishing .....	17
◆ Step 11 Installing Trim, Logs, and Ember Material .....	18
Installing the Trim .....	18
Positioning the Logs .....	18
Placing the Ember Material .....	18
Step 12 Before Lighting the Fireplace .....	20
Step 13 Lighting the Fireplace .....	20
<b>Section 4: Maintaining and Servicing     Your Fireplace .....</b>	<b>21</b>
<b>Section 5: Replacement Parts     and Accessories .....</b>	<b>23</b>
Replacement Parts .....	23
Accessories .....	28

◆ = Contains updated information.

# 1

## Approvals and Codes

### Approval Listings and Codes

#### Appliance Certification

The Heat-N-Glo fireplace models discussed in this *Installers Guide* have been tested to certification standards and listed by the applicable laboratories.

MODEL	LABORATORY	TYPE	CERTIFICATION STANDARD
8000TVC	Underwriters Laboratories	Vented Gas Fireplace	ANSIZ21.50•CGA2.2

### Installation Codes

The fireplace installation must conform to local codes. Before installing the fireplace, consult the local building code agency to ensure that you are in compliance with all applicable codes, including permits and inspections.

In the absence of local codes, the fireplace installation must conform to the National Fuel Gas Code ANSI Z223.1 (in the United States) or the CAN/CGA-B149 Installation Codes (in Canada). The appliance must be electrically grounded in accordance with local codes or, in the absence of local codes with the National Electric Code ANSI/NFPA No. 70 (in the United States), or to the CSA C22.1 Canadian Electric Code (in Canada).

These models (natural gas and propane) can be installed in a bedroom (in the United States) which has a total volume of unconfined space appropriate to the particular installation. Refer to the National Fuel Gas Code ANSI Z223.1/NFPA54 (current edition). The Uniform Mechanical Code - (current edition), and local Building Officials for the options allowed in obtaining an effective bedroom volume of unconfined space.

These models (natural gas and propane) can be installed in a bedroom (in Canada) if a thermostat (Model WH-STAT) is installed with the unit. Consult local code authorities. Detailed installation instructions for Model WH-STAT are included with the kit.

### High Altitude Installations

U.L. Listed fireplaces are tested and approved for elevations from 0 to 2,000 feet in the U.S.A. and are tested and approved for elevations from 0 to 4,500 feet in Canada.

When installing this fireplace at an elevation above 2,000 feet (in the United States), it may be necessary to decrease the input rating by changing the existing burner orifice to a smaller size. Input should be reduced four percent (4%) for each 1,000 feet above sea level, unless the heating value of the gas has been reduced, in which case this general rule will not apply. To identify the proper orifice size, check with the local gas utility.

When installing this fireplace at an elevation between 2,000 and 4,500 feet (in Canada), the input rating must be reduced by ten percent (10%).

When installing this fireplace at an elevation above 4,500 feet (in Canada), check with local authorities.

Consult your local gas utility for assistance in determining the proper orifice for your location.

# 2

## Getting Started

### Introducing the Heat-N-Glo Gas Fireplaces

Heat-N-Glo B-type vent gas fireplaces are designed to operate with all exhaust gases expelled to the outside of the building.

The information contained in this *Installers Guide*, unless noted otherwise, applies to all models and gas control systems.

Gas fireplace diagrams, including the dimensions, are shown in this section.

### Pre-installation Preparation

This gas fireplace and its components are tested and safe when installed in accordance with this *Installers Guide*. Report to your dealer any parts damaged in shipment, particularly the condition of the glass. **Do not install any unit with damaged, incomplete, or substitute parts.**

The vent system components and trim doors are shipped in separate packages. Log installation instructions are provided in the manual bag assembly shipped with unit. **Read all of the instructions before starting the installation. Follow these instructions carefully during the installation to ensure maximum safety and benefit. Failure to follow these instructions will void the owner's warranty and may present a fire hazard.**

The Heat-N-Glo Warranty will be voided by, and Heat-N-Glo disclaims any responsibility for, the following actions:

- Installation of any damaged fireplace or vent system component.
- Modification of the fireplace or vent system.
- Installation other than as instructed by Heat-N-Glo.
- Improper positioning of the gas logs or the glass door.
- Installation and/or use of any component part not manufactured and approved by Heat-N-Glo, notwithstanding any independent testing laboratory or other party approval of such component part or accessory.

**ANY SUCH ACTION MAY POSSIBLY CAUSE A FIRE HAZARD.**

When planning a fireplace installation, it's necessary to determine:

- Where the unit is to be installed.
- The vent system configuration to be used.
- Gas supply piping.
- Electrical wiring.
- Framing and finishing details.
- Whether optional accessories—devices such as a fan, wall switch, or remote control—are desired.

If the fireplace is to be installed on carpeting or tile, or on any combustible material other than wood flooring, the fireplace should be installed on a metal or wood panel that extends the full width and depth of the fireplace.

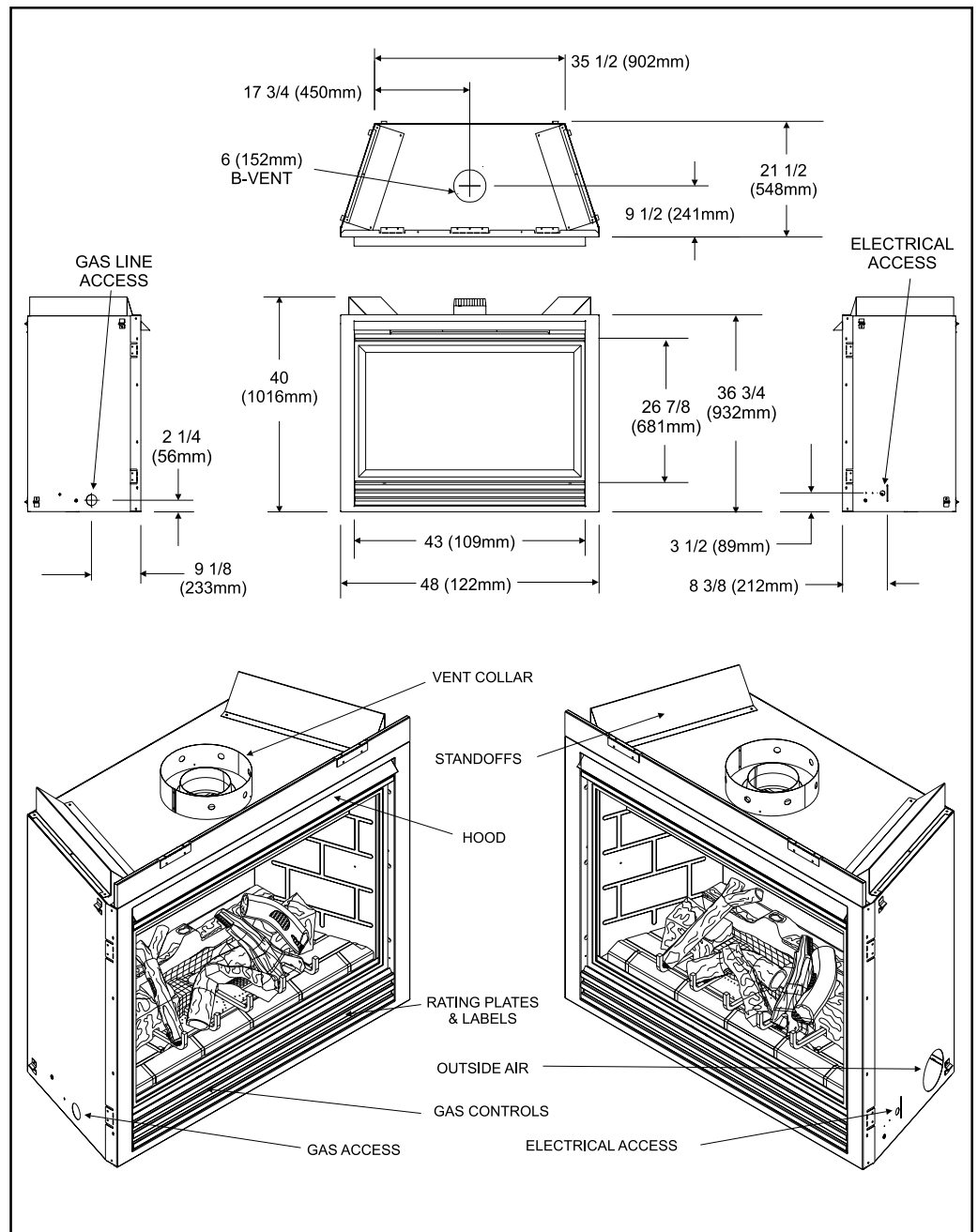
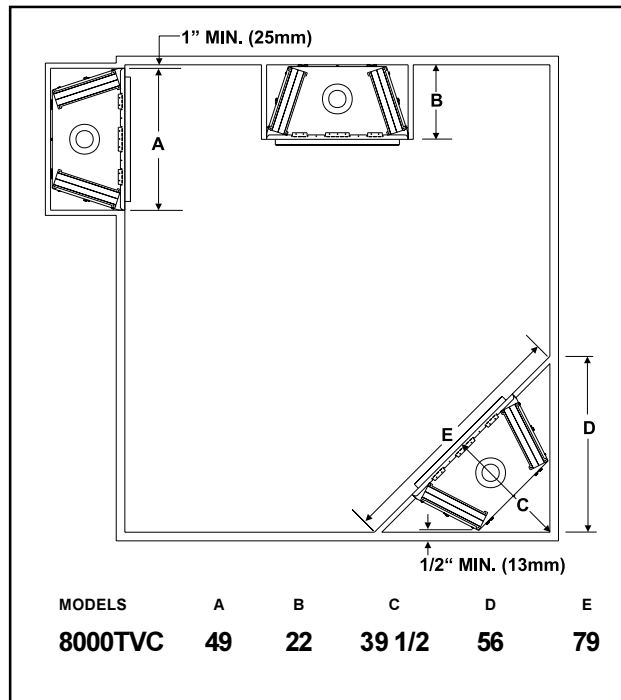


Figure 1. Diagram of 8000TVC

## Step 1 Locating the Fireplace

The diagram below shows space and clearance requirements for locating a fireplace within a room.



**Figure 2. Fireplace Dimensions, Locations, and Space Requirements**

### Clearance Requirements

The top, back, and sides of the fireplace are defined by stand-offs.

Minimum Clearances from the Fireplace to Combustible Materials					
Glass Front	Floor	Back of Fireplace	Sides of Fireplace	Top of Fireplace	Ceiling
36 inches (914 mm)	0	1/2 inch (13 mm)	1/2 inch (13 mm)	31/2 inches (89mm)	31 inches (787 mm)

The minimum clearance to a perpendicular wall extending past the face of the fireplace is one inch (25mm).

The minimum clearance from the top face of the fireplace to combustible finishing materials such as drywall, is one inch (25mm).

The back of the fireplace may be recessed 21 1/2 inches (546mm) into combustible construction.

**Minimum Clearances from the B-Type Vent Pipe to Combustible Materials is 1 inch (25mm) all around the pipe.**

# 3

## Installing the Fireplace

## Step 2 Framing the Fireplace

### CAUTION

Fireplace framing can be built before or after the fireplace is set in place. Framing should be positioned to accommodate wall coverings and fireplace facing material. The diagram below shows framing reference dimensions.

**MEASURE FIREPLACE DIMENSIONS, AND VERIFY FRAMING METHODS AND WALL COVERING DETAILS BEFORE FRAMING CONSTRUCTION BEGINS.**

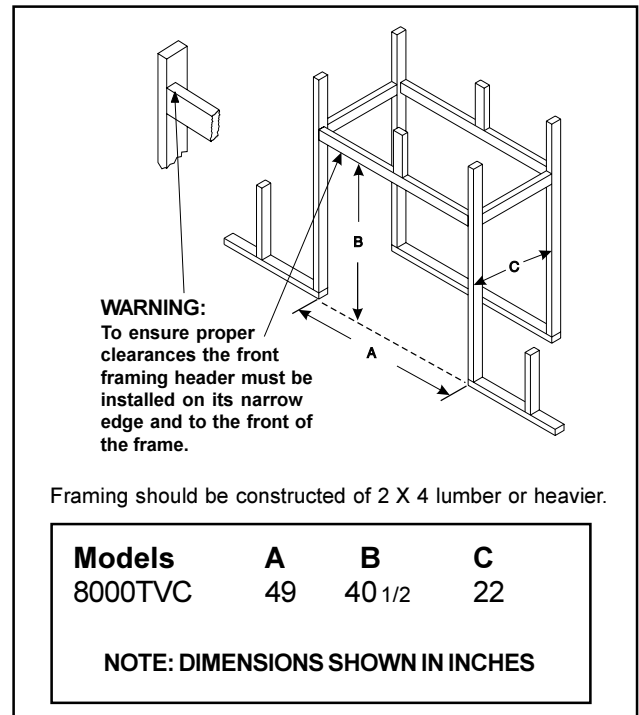


Figure 3. Framing Dimensions

## Step 3 Negative Pressure Make-up Air

**Negative Pressure warning:** When negative pressure is present, an atmospherically vented fireplace (with a draft hood) may not function properly and it may down draft. In the case of a gas appliance, spillage of the combustion gases may occur. **This may create a dangerous carbon monoxide situation in the house.**

The causes of negative pressure to a house can include the following:

- Stack effect in the building.
- Exhaust only appliances (mechanically and atmospherically vented).
- Inadequate make-up air (which is increasingly more prevalent in new construction).

It is recommended that all natural venting non-air tight gas fireplaces have outside air connected to them. It is also recommended that the building be mechanically or passively balanced to allow atmospherically vented appliances, such as top



vented gas fireplaces with draft hoods, to draft properly. If the home experiences negative pressure or is likely to experience negative pressure, connection to an outside air source is mandatory.

### **Installing Optional Outside Make-up Air:**

This unit is equipped to accept outside air. By using outside make-up air, the amount of room air used for combustion will be reduced. It is recommended that an AK-TV air kit be used with this appliance.



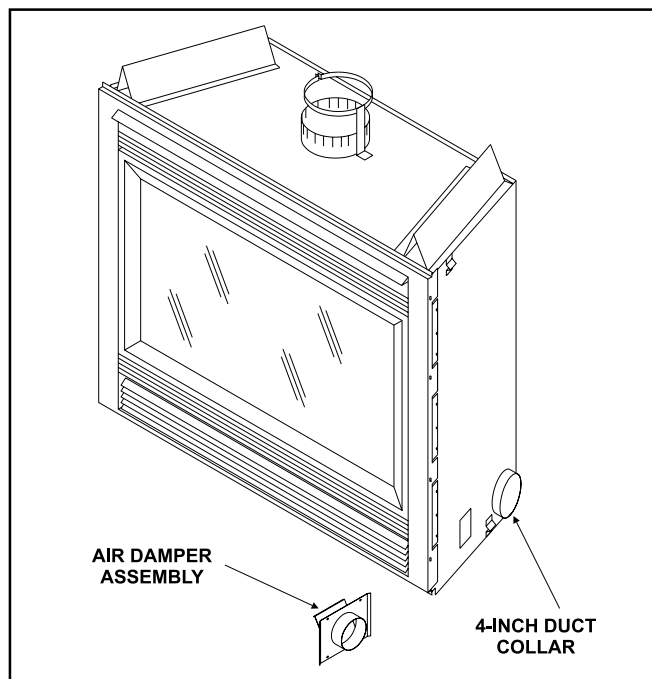
**WARNING: IN A NEGATIVE PRESSURE CONDITION (LIKELY TO OCCUR IN NEW HOMES THAT DO NOT HAVE ADEQUATE MAKE-UP AIR) THE OUTSIDE AIR KIT MUST BE INSTALLED TO OBTAIN PROPER PERFORMANCE AND TO HELP PREVENT SPILLAGE OF COMBUSTION GASES.**

A 4-inch side collar/damper (found in AK-TV Kit) must be installed on the fireplace by attaching the side collar to the outer wrap of the fireplace at the right-hand rear corner using sheetmetal screws. See Figure 4. Attach one end of a 4-inch flexible air duct (not provided in the AK-TV Kit) to the side collar and the other end of the duct to the make-up air termination cap. Use plastic tie straps to secure the ends of the flex duct to each collar.

### **Air Damper**

Before lighting the burner, open the damper. Close the damper when the burner is off.

Detailed installation instructions for Model AK-TV Outside Air kit are found in the kit.



**Figure 4. Make-up Air**

## Step 4 Installing the Vent System

### A. Vent System Approvals

Model 8000TVC is approved to use 6-inch (152mm) diameter B-type vent. B-type vent must be used when the vent system is within combustible construction.

These models may also use single wall rigid or flexible gas vent **IF** and **ONLY IF** the vent system is installed within non-combustible construction such as a masonry chimney. The same diameter noted above for B-type vent must be used for single-wall vent. See Figure 5.

For B-type vent the clearance to combustibles is 1-inch. Follow vent manufacturers **REQUIRED** clearances.

The flame and ember appearance may vary based on the type of fuel burned and the venting configuration used.

### B. System Components.

Vent System Configuration

**RISE TO RUN RATIO = 2:1**

**MAXIMUM TOTAL HORIZONTAL RUN = 15 FT.**

**MINIMUM TOTAL VERTICAL RISE = 9 FT.**

**MAXIMUM NO. Of ELBOWS:** 2 - 90° or 4 - 45°

Plan and install the vent system using the parameters shown above.



**WARNING: YOU MUST NOT EXCEED THESE PARAMETERS.**

Connect a B-Type vent component to the flue outlet collar. Look at the vent pipe through the holes in the 10 5/8" ring to check that the vent pipe is attached.

**NOTE: It is always better to first attach a straight section of vent to the unit before attaching an elbow. Avoid using elbows in the vent system if possible.**

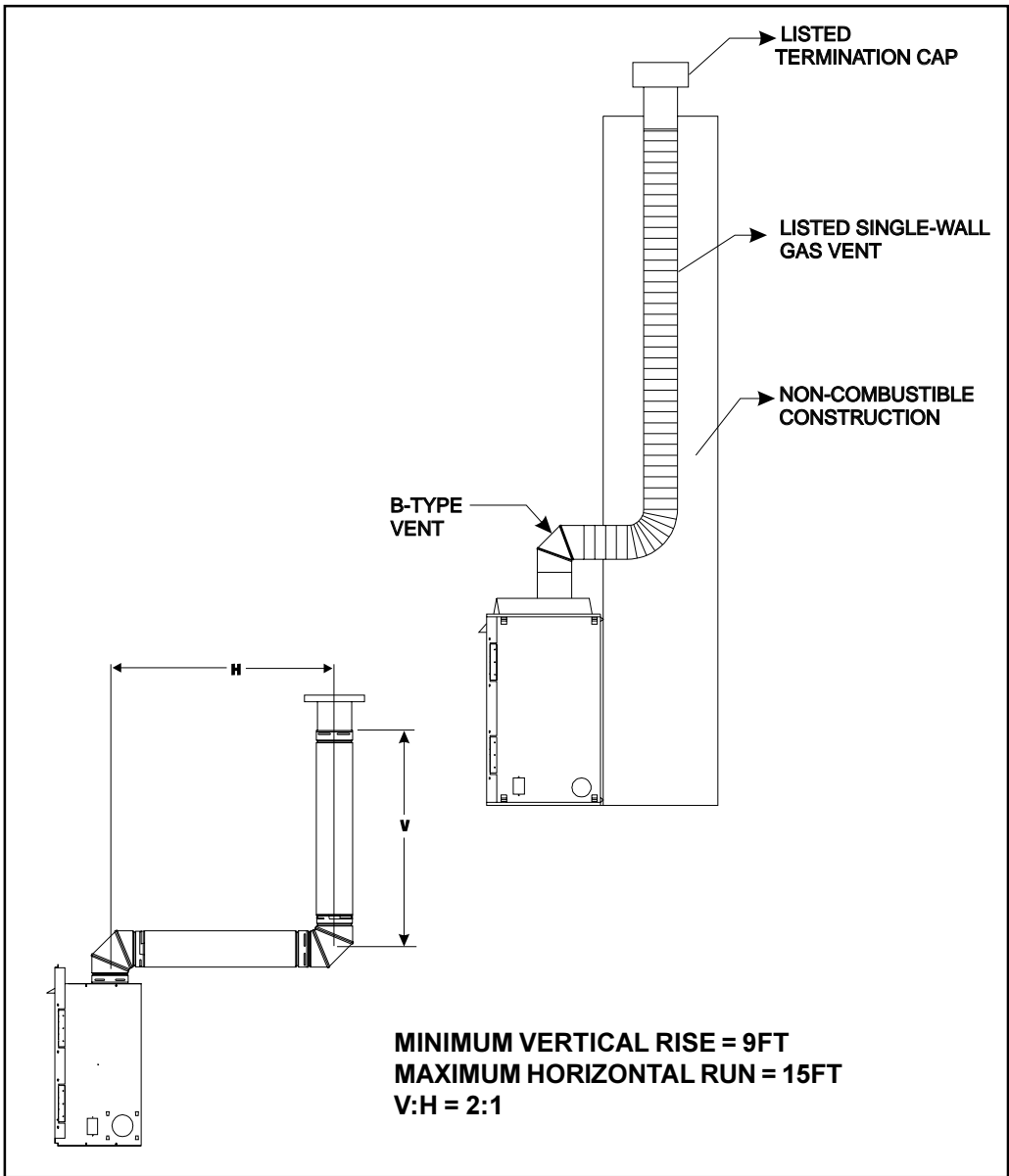
A 90-degree elbow can be attached directly to the unit. If it is, it can be followed by a **MAXIMUM** 15-foot horizontal run, a second 90-degree elbow ending in a minimum 30 foot vertical.

A minimum of 9 foot vertical rise ending in a listed termination cap is required for the unit.

Continue to add vent components, until the vent run is completed.



**WARNING: YOU MUST NOT EXCEED A TOTAL MAXIMUM HORIZONTAL RUN OF 15 FEET FOR THE ENTIRE VENT SYSTEM.**



**Figure 5. Vent System Attachment**

**NOTE: The vent termination must be in a vertical position and the termination cap must be listed for the vent pipe used.**

Consult Local Building Code Officials and Codes for proper vent system installations.



**WARNING: THIS GAS FIREPLACE MUST NEVER BE VENTED BY CONNECTING TO A CHIMNEY FLUE SERVING A SEPARATE SOLID FUEL BURNING APPLIANCE.**

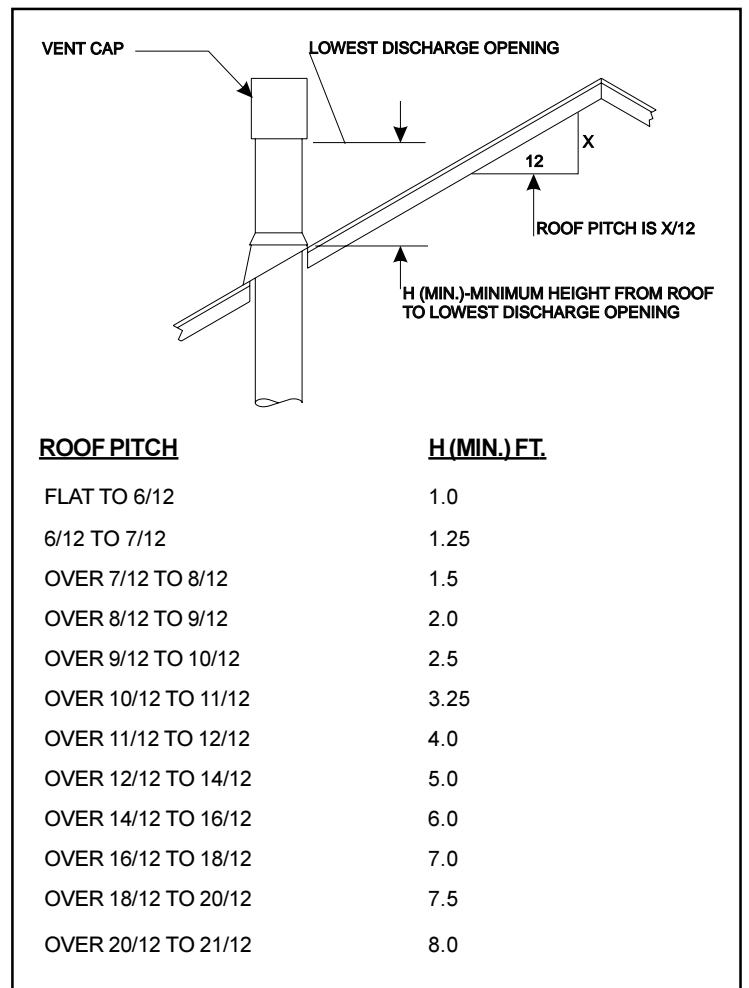
### C. Bedroom Installation in Canada

This model **MUST NOT** be vented into a vent system installed exterior to a building. The part of the vent system above the roof line can be exterior to the building.

### D. Vent Termination



**WARNING: MAJOR U.S. BUILDING CODES SPECIFY MINIMUM CHIMNEY AND/OR VENT HEIGHT ABOVE THE ROOF TOP. THESE MINIMUM HEIGHTS ARE NECESSARY IN THE INTEREST OF SAFETY. FIGURE 6 AND TABLE SHOW MINIMUM HEIGHTS, PROVIDED THE TERMINATION CAP IS AT LEAST 8-FEET FROM A VERTICAL WALL.**

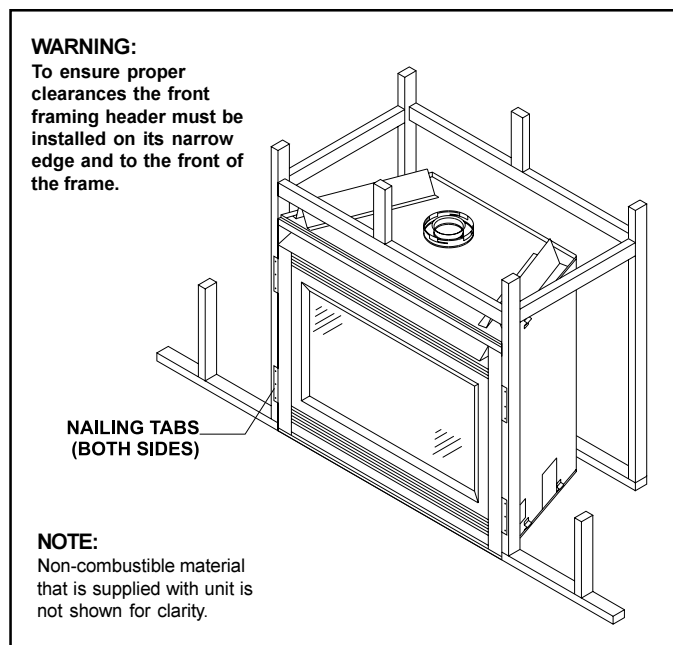


**Figure 6. Vent Termination**

## Step 5 Positioning, Leveling, and Securing the Fireplace.

1. Place the fireplace into position.
2. Level the fireplace from side to side and from front to back.
3. Shim the fireplace with non-combustible material, such as sheet metal, as necessary.
4. Secure the fireplace to the framing by nailing or screwing using the nailing tabs.

The diagram below shows how to properly position, level, and secure the fireplace.



**Figure 7. Proper Positioning, Leveling, and Securing of a Fireplace**

## Step 6 The Gas Control Systems



**WARNING**  
**THIS UNIT IS NOT FOR USE WITH SOLID FUEL.**

Two types of gas control systems are used with these models: *Standing Pilot Ignition* and *Direct Spark Ignition (DSI)*.

### Standing Pilot Ignition System

This system includes millivolt control valve, standing pilot, thermopile/thermocouple flame sensor, and piezo ignitor.



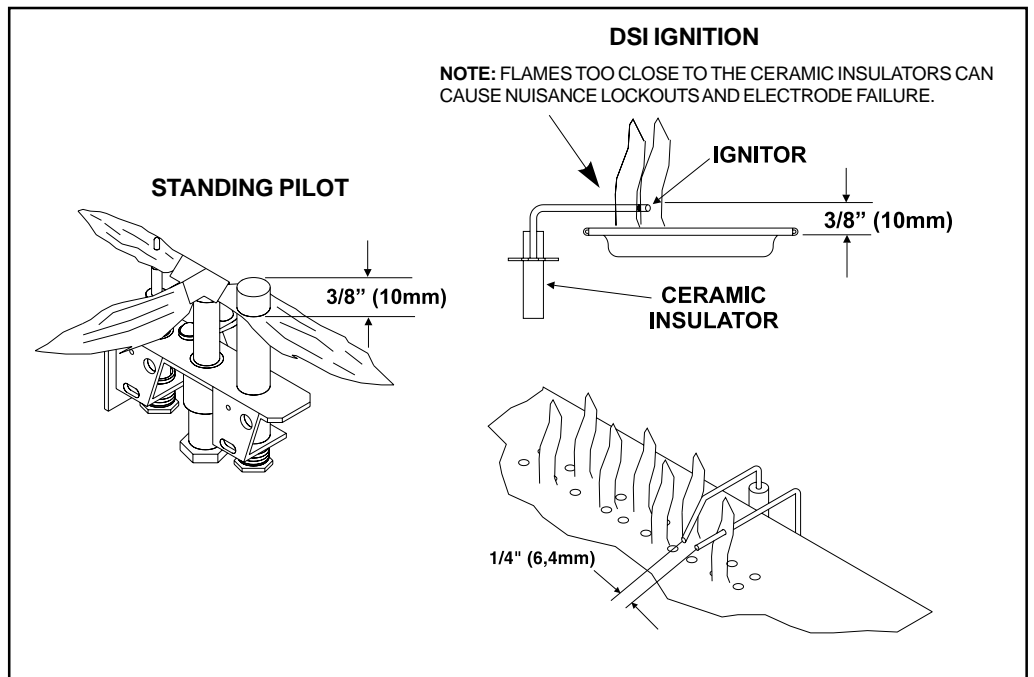
**WARNING**  
**110-120 VAC MUST NEVER BE CONNECTED TO A CONTROL VALVE IN A MILLIVOLT SYSTEM.**

### Direct Spark Ignition (DSI) System

The DSI system includes a 120V control valve, electronic module, and spark ignitor/flame sensor.



**WARNING**  
**CONTINUOUS 110-120 VAC SERVICE MUST BE WIRED TO THE FIREPLACE JUNCTION BOX IN A DSI SYSTEM.**



**Figure 8. Gas Controls Systems**

## Step 7 The Gas Supply Line

**NOTE:** Have the gas supply line installed by a qualified service technician in accordance with all building codes.

**NOTE:** Before the first firing of the fireplace, the gas supply line should be purged of any trapped air.

**NOTE:** Consult local building codes to properly size the gas supply line leading to the 1/2 inch (13 mm) hook-up at the unit.

This gas fireplace is designed to accept a 1/2 inch (13 mm) gas supply line.

To install the gas supply line:

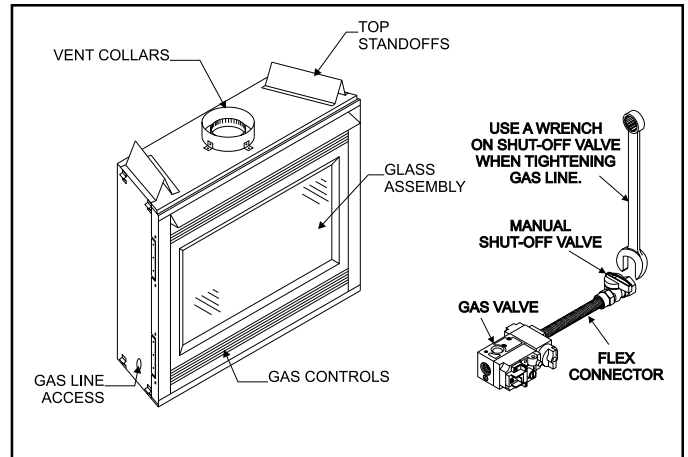
- A listed 1/2 inch (13 mm) manual shut-off valve and a listed flexible gas connector are connected to the 1/2 inch (13 mm) inlet of the control valve.
- The gas line may be run from either side of the fireplace provided the hole in the outer wrap does not exceed 2" in diameter and it does not penetrate the airtight firebox.
- The gap between the supply piping and gas access hole can be plugged with non-combustible insulation to prevent cold air infiltration.
- Locate the gas line access hole in the outer casing of the fireplace.
- Open the fireplace lower grille, insert the gas supply line through the gas line hole, and connect it to the shut-off valve.
- When attaching the pipe, support the control so that the lines are not bent or torn.
- After the gas line installation is complete, use a soap solution to carefully check all gas connections for leaks.



**WARNING**  
**DO NOT USE AN OPEN FLAME TO**  
**CHECK FOR GAS LEAKS.**

The gas line should be installed by a qualified service technician.

- At the gas line access hole, use insulation to re-pack the space around the gas pipe.
- Insert insulation from the outside of the fireplace and pack the insulation tightly to totally seal between the pipe and the outer casing.



**Figure 9. Gas Supply Line**

## Step 8 Gas Pressure Requirements

Pressure requirements for Heat-N-Glo gas fireplaces are shown in the table below.

Pressure	Natural Gas	Propane
Minimum Inlet Pressure	5.0 inches w.c.	11.0 inches w.c.
Maximum Inlet Gas Pressure	14.0 inches w.c.	14.0 inches w.c.
Manifold Pressure	3.5 inches w.c.	10.0 inches w.c.

The tap for the manifold and inlet pressures are on the face of the gas control valve. Remove the control panel covering the valve. Use a small screwdriver to crack open the screw in the center of the tap. Position a rubber hose over the tap to obtain the pressure reading.

The fireplace and its individual shut-off valve must be disconnected from the gas supply piping system during any pressure testing of the system at test pressures in excess of one-half (1/2) psig (3.5 kPa).

The fireplace must be isolated from the gas supply piping system by closing its individual shut-off valve during any pressure testing of the gas supply piping system at test pressures equal to or less than one-half (1/2) psig (3.5 kPa).



## Step 9 Wiring the Fireplace

**NOTE:** Electrical wiring must be installed by a licensed electrician.

**Caution:** Disconnect remote controls if you are absent for extended time periods. This will prevent accidental fireplace operation.

### For Standing Pilot Ignition Wiring

#### Appliance Requirements

- This appliance **DOES NOT** require 110-120 VAC to operate.



**WARNING**  
**DO NOT CONNECT 110-120 VAC TO THE GAS CONTROL VALVE OR THE APPLIANCE WILL MALFUNCTION AND THE VALVE WILL BE DESTROYED.**

#### Optional Accessories

Optional fan and remote control kits require that 110-120 VAC be wired to the factory installed junction box before the fireplace is permanently installed.

#### Remote Wall Switch

Position the remote wall switch in the desired position on a wall. Run a maximum of 25 feet (7.8 m) or less length of 18 A.W.G. minimum wire and connect it to the fireplace ON/OFF switch pigtails.



**WARNING: DO NOT CONNECT 110-120 VAC TO THE REMOTE WALL SWITCH OR THE CONTROL VALVE WILL BE DESTROYED.**

### CAUTION

**LABEL ALL WIRES PRIOR TO DISCONNECTION WHEN SERVICING CONTROLS. WIRING ERRORS CAN CAUSE IMPROPER AND DANGEROUS OPERATION. VERIFY PROPER OPERATION AFTER SERVICING.**

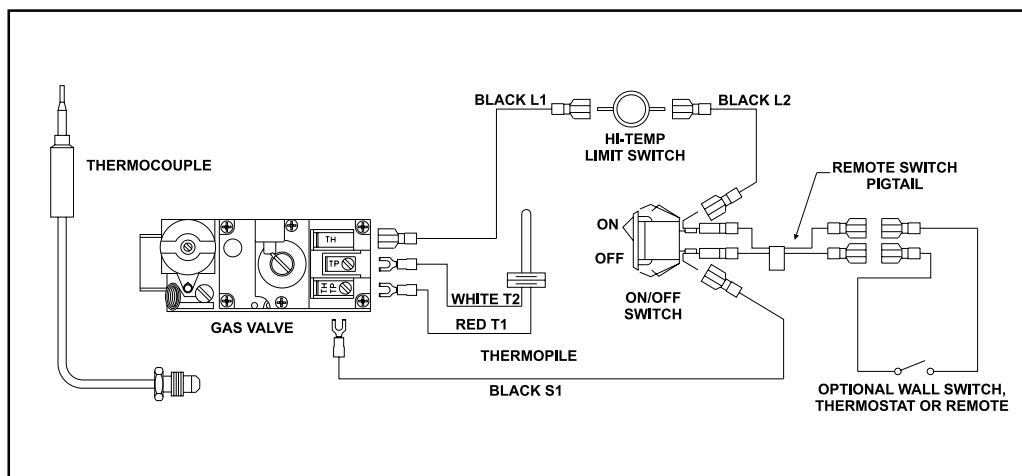


Figure 10. Standing Pilot Ignition Wiring Diagram

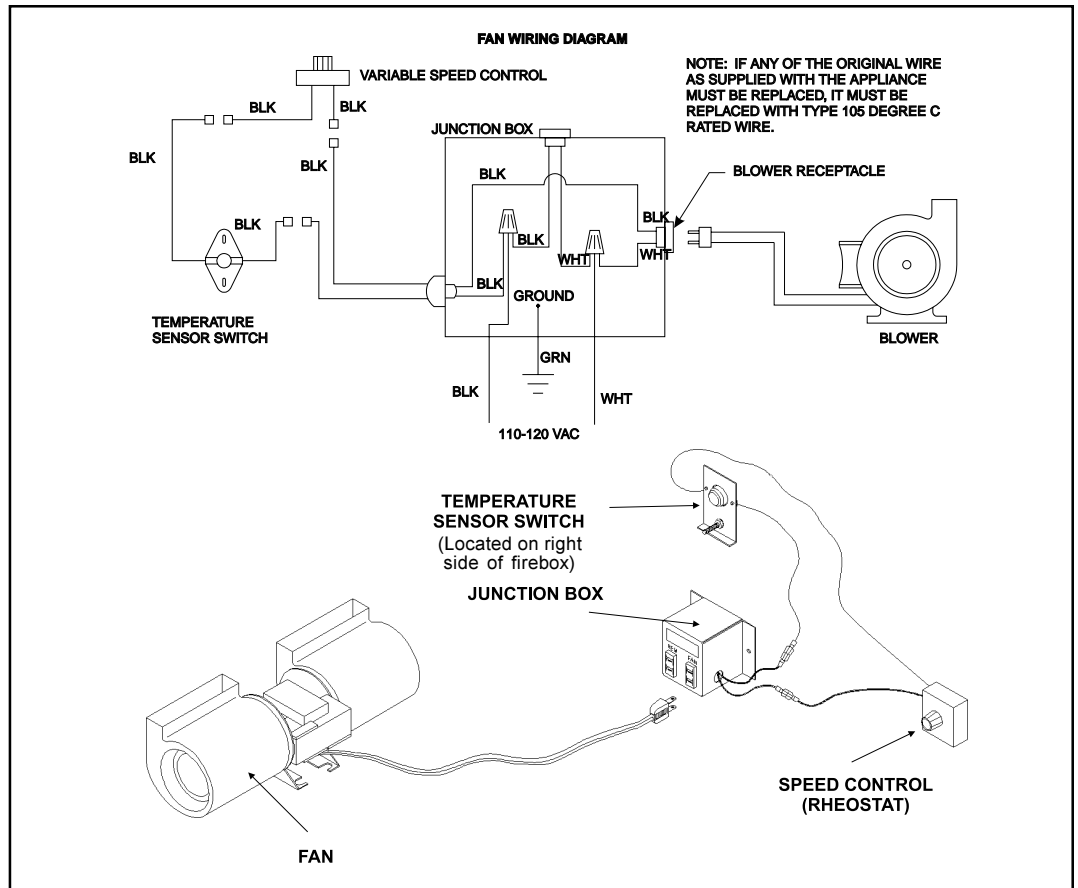


Figure 11. Fan Wiring Diagram

### For Direct Spark Ignition (DSI) Wiring

#### Appliance Requirements

This appliance requires that 110-120 VAC be wired to the junction box included in the manual bag assembly. Maintain correct polarity when wiring the junction box.

The junction box is installed by sliding one tab of the box through the slot on the lower right side of the outer wrap and driving a screw through the other tab into the pilot hole on the outer wrap.

#### Optional Accessories

Optional fan and remote control kits require that 110-120 VAC be wired to the fireplace junction box.

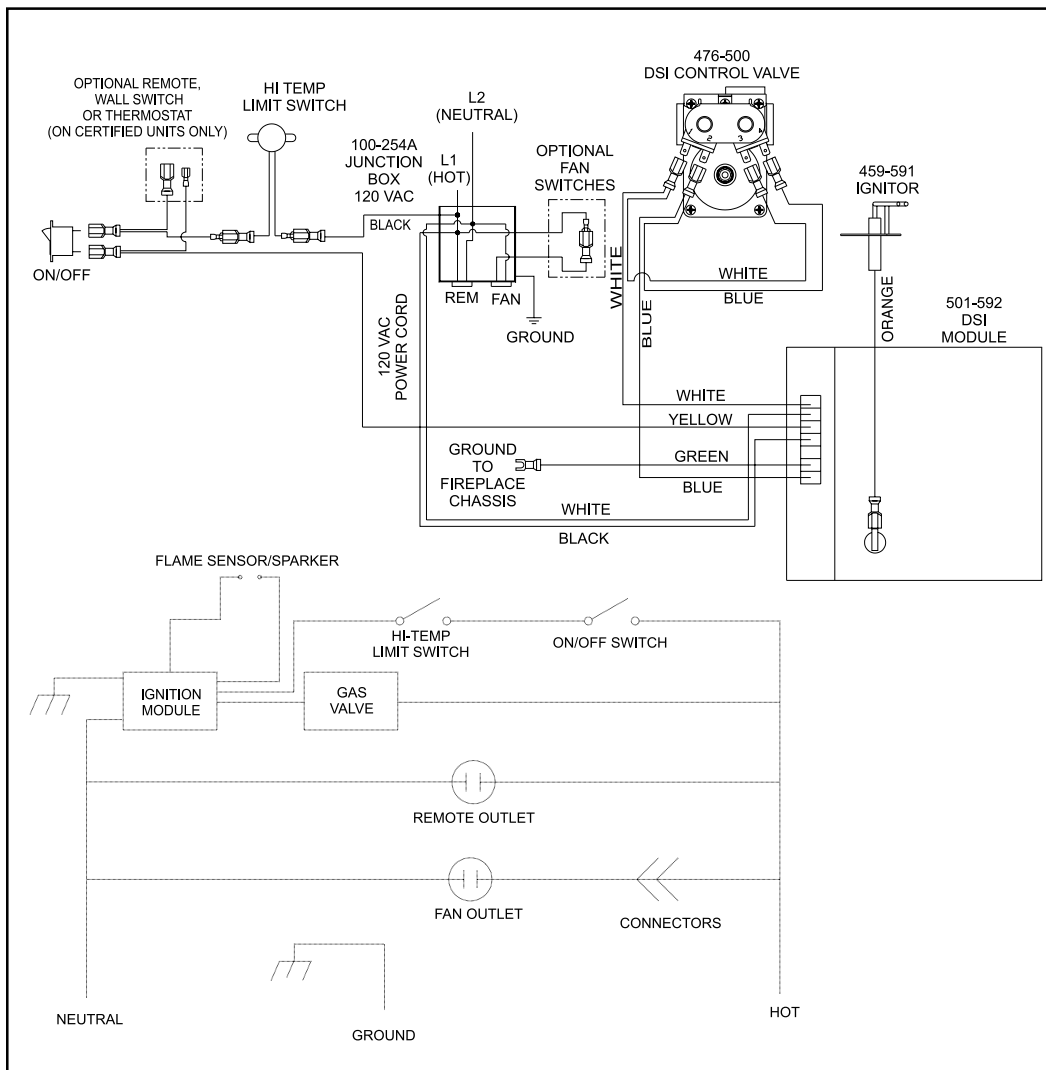
#### Remote Wall Switch

Position the remote wall switch in the desired position on a wall. Run a maximum of 25 feet (7.8 m) or less of 16 A.W.G. minimum wire and connect it to the fireplace ON/OFF switch pigtails.

*Electrical wiring must be installed by a licensed electrician.*

**LABEL ALL WIRES PRIOR TO DISCONNECTION WHEN SERVICING CONTROLS. WIRING ERRORS CAN CAUSE IMPROPER AND DANGEROUS OPERATION. VERIFY PROPER OPERATION AFTER SERVICING.**

**NOTE**  
**CAUTION**

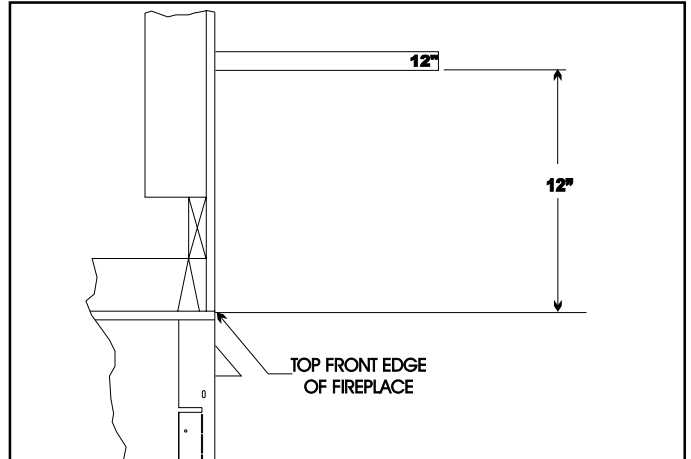


**Figure 12. Direct Spark Ignition (DSI) Wiring Diagram**

## Step 10 Finishing

Only non-combustible materials may be used to cover the black fireplace front.

The following diagram shows the minimum vertical and corresponding maximum horizontal dimensions of fireplace mantels or other combustible projections above the top front edge of the fireplace. See Figures 2 and 3 for other fireplace clearances.



**Figure 13. Minimum Vertical & Maximum Horizontal Dimensions of Combustibles above Fireplace**



**WARNING: WHEN FINISHING THE FIREPLACE, NEVER OBSTRUCT OR MODIFY THE AIR INLET/OUTLET GRILLES IN ANY MANNER.**

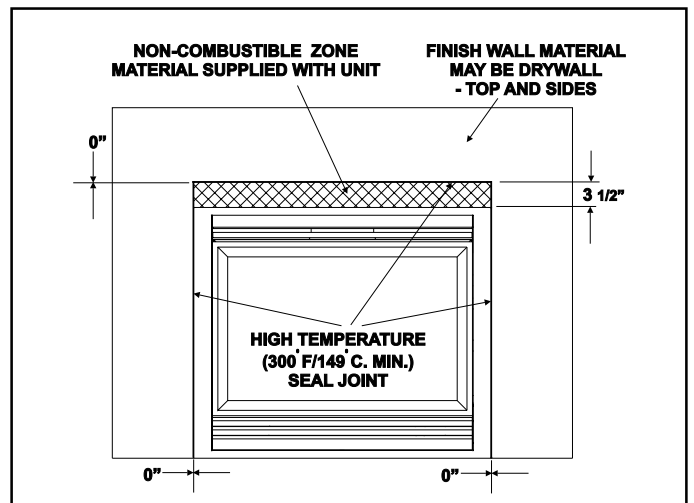
### CAUTION

***IF JOINTS BETWEEN THE FINISHED WALLS AND THE FIREPLACE SURROUND (TOP AND SIDES) ARE SEALED, A 300° F. MINIMUM SEALANT MATERIAL MUST BE USED. THESE JOINTS ARE NOT REQUIRED TO BE SEALED. ONLY NON-COMBUSTIBLE MATERIAL (USING 300° F. MINIMUM ADHESIVE, IF NEEDED) CAN BE APPLIED AS FACING TO THE FIREPLACE SURROUND. SEE THE DIAGRAM BELOW.***

1. Apply non-combustible facing material to the fireplace surround.

### Hearth Extensions

A hearth extension may be desirable for aesthetic reasons. However, ANSI or CAN/CGA testing standards **do not** require hearth extensions for gas fireplace appliances.



**Figure 14. Sealant Material**

## Step 11 Installing Trim, Logs, and Ember Material

### Installing the Trim

Combustible materials may be brought up to the specified clearances on the side and top front edges of the fireplace, but **MUST NEVER** overlap onto the front face. The joints between the finished wall and the fireplace top and sides can only be sealed with a 300° F. (149° C) minimum sealant.



**WARNING: WHEN FINISHING THE FIREPLACE, NEVER OBSTRUCT OR MODIFY THE AIR INLET/OUTLET GRILLES IN ANY MANNER.**

Install optional marble and brass trim surround kits as desired. Marble, brass, brick, tile, or other non-combustible materials can be used to cover up the gap between the sheet rock and the fireplace.

Do not obstruct or modify the air inlet/outlet grilles. When overlapping on both sides, leave enough space so that the bottom grille can be lowered and the trim door removed.

### Positioning the Logs

If the gas logs have been factory installed they should not need to be positioned.

If the logs have been packaged separately, refer to the installation instructions that accompany the logs. **Save the log instructions with this manual.**

If sooting occurs, the logs might need to be repositioned slightly to avoid excessive flame impingement.

### Placing the Ember Material

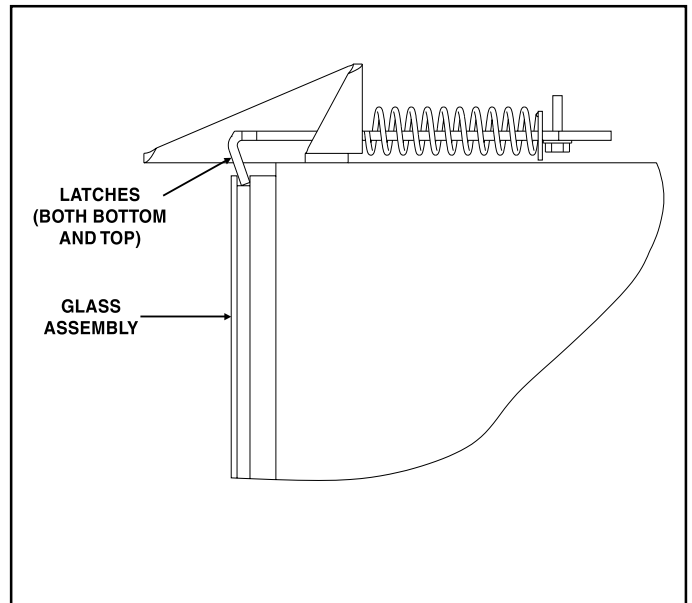
Ember material is shipped with this gas fireplace:

- The bag containing the Glowing Embers (050-721) is standard glowing ember material.

To place the ember material:

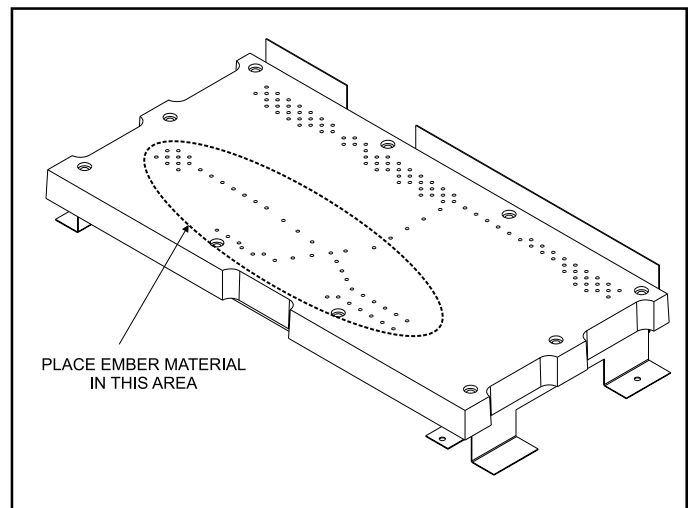
- Pull the four glass latches out of the groove on the glass frame.
- Remove the glass door from the unit.
- Cover the top of the burner with a single layer of ember material. For best performance do not place embers on the ports on the rear of the burner.
- Save the remaining ember materials for use during fireplace servicing.
- Replace the glass door and a front trim door on the unit (see Replacement Parts Section of the manual.)
- Pull out and latch the glass clips into the groove on the glass frame.

1. Lift the trim door up and out of the unit.



**Figure 15. Glass Assembly**

1. Place the ember material onto the top of the burner.



**Figure 16. Placement of the Ember Material**

**CAUTION**

***IT IS STRONGLY RECOMMENDED THAT TRIM DOORS WITH OPTIONAL MESH SCREENS BE INSTALLED ON PROPANE MODELS.***

## Step 12 Before Lighting the Fireplace

**Before** lighting the fireplace, be sure to do the following:

**Remove all paperwork and documents from underneath the fireplace.**

### **Review safety warnings and cautions**

- Read the **Safety and Warning Information** section at the beginning of this *Installers Guide*.

### **Double-check for gas leaks**

- Before lighting the fireplace, double-check the unit for possible gas leaks.

### **Double-check vent terminations and front grilles for obstructions.**

- Before lighting the fireplace, double-check the unit for possible obstructions that could be blocking the vent terminations or the front grilles.

### **Double-check for faulty components**

- Any component that is found to be faulty **MUST BE** replaced with an approved component. Tampering with the fireplace components is **DANGEROUS** and voids all warranties.

A small amount of air will be in the gas supply lines. When first lighting the fireplace, it will take a few minutes for the lines to purge themselves of this air. Once the purging is complete, the fireplace will light and will operate normally.

### **NOTE:**

*The fireplace should be run for 8 hours on the initial start-up. This will help to cure the chemicals used in the paint and logs.*

Subsequent lightings of the fireplace will not require this purging of air from the gas supply lines, **unless the gas valve has been turned to the OFF position**, in which case the air would have to be purged.

You've reviewed all safety warnings, you've checked the fireplace for gas leaks, you know the vent system is unobstructed, and you've checked for faulty components. Now you're ready to light the fireplace.

## Step 13 Lighting the Fireplace



**WARNING**  
**PLEASE REFER TO THE USER'S**  
**MANUAL FOR ALL CAUTIONS, SAFETY,**  
**AND WARNING INFORMATION**  
**PERTAINING TO THE LIGHTING AND**  
**OPERATION OF THE FIREPLACE.**

# 4

## Maintaining and Servicing Your Fireplace

### Fireplace Maintenance

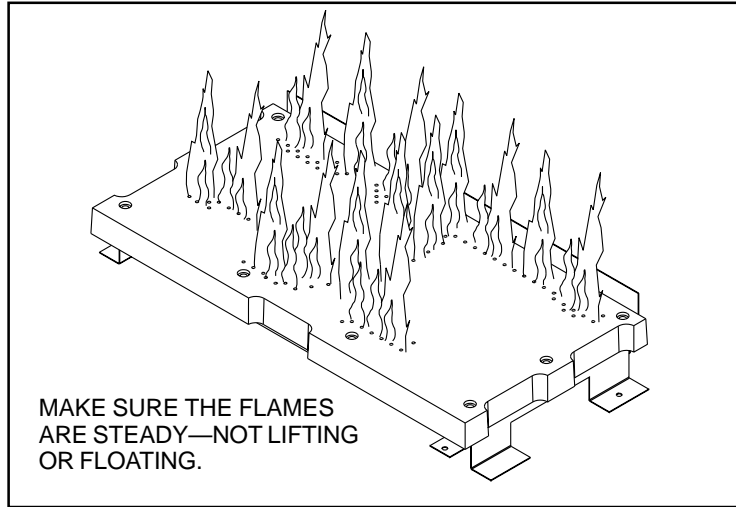
Although the frequency of your fireplace servicing and maintenance will depend on use and the type of installation, you should have a qualified service technician perform an appliance check-up at the beginning of each heating season. See the table below for specific guidelines regarding each fireplace maintenance task.

#### **IMPORTANT**

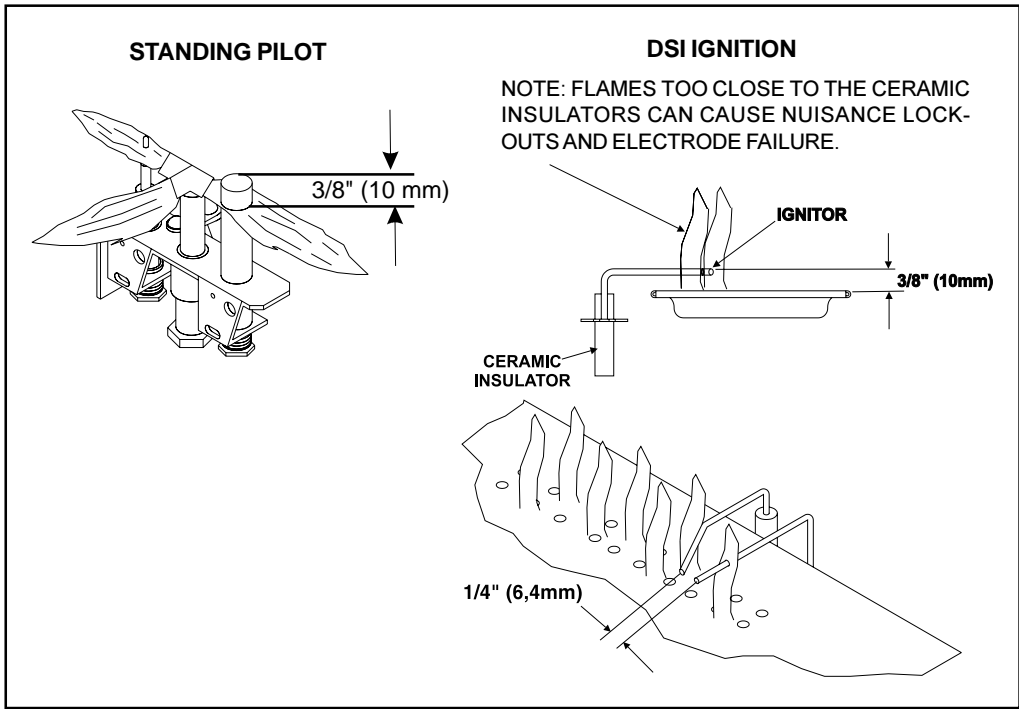
**TURN OFF THE GAS BEFORE SERVICING YOUR FIREPLACE.**

Type of Fireplace Maintenance	Frequency	By	Fireplace Maintenance Task To Be Completed
Replacing Old Ember Material	Once annually, during the annual check-up	Qualified Service Technician	Brush away loose ember material near the burner. Replace old ember material with new dime-size and -shape pieces of Golden Ember (GE-93) and Glowing Ember (050-721). New ember material should be placed alternately on top of the burner—a layer of Golden Ember, a layer of Glowing Ember, and so on. Save the remaining ember material and repeat this procedure at your next servicing. For more information, see <b>Placing Ember Material</b> in the <b>INSTALLERS GUIDE</b> .
Cleaning Burner & Controls	Once annually	Qualified Service Technician	Brush or vacuum the control compartment, fireplace logs, and burner areas surrounding the logs.
Checking Flame Patterns, Flame Height	Periodically	Qualified Service Technician/ Owner	Make a visual check of your fireplace's flame patterns. Make sure the flames are steady—not lifting or floating. See the picture in Figure 17. The flame sensor (DSI) or thermopile/thermocouple (standing pilot) tips should be covered with flame. See the picture in Figure 18.
Checking Vent System	Before initial use and at least annually thereafter, more frequently if possible	Qualified Service Technician/ Owner	Inspect the external vent cap on a regular basis to ensure that no debris is interfering with the flow of air. Inspect entire vent system for proper function.
Cleaning Glass Door	As necessary	Homeowner	Clean as necessary, particularly after adding new ember (flame colorant) material. Film deposits on the inside of the glass door should be cleaned off using a household glass cleaner. <b>NOTE: DO NOT handle or attempt to clean the door when it is hot and DO NOT use abrasive cleaners.</b>





**Figure 17. Burner Flame Patterns**



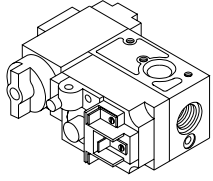
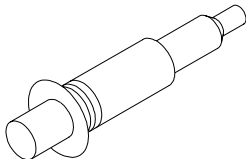
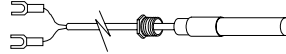
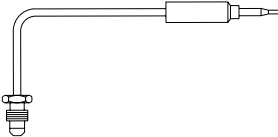
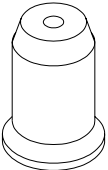
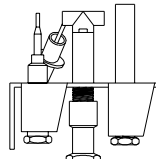

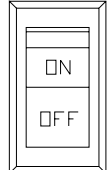
**Figure 18. Pilot/Ignitor Flame Patterns**

# 5

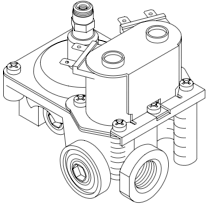
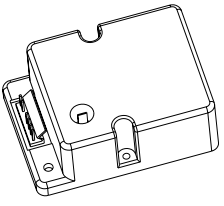
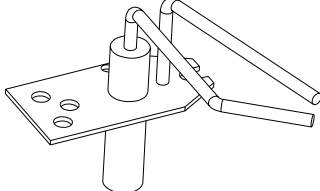
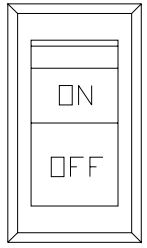
## Replacement Parts and Accessories

All parts listed in this **INSTALLERS GUIDE** may be ordered from an authorized dealer. When requesting service or replacement parts for your fireplace, please provide the model number and the serial number.

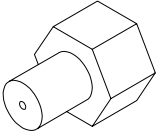

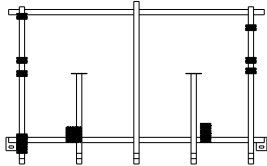

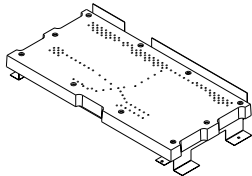
### Standing Pilot Only

PART	PART DESCRIPTION	PART NUMBER
	Valve LP	SRV60-523
	Valve NG	SRV60-522
	Piezo Ignitor	SRV418-513
	Thermopile	SRV60-512
	Thermocouple	SRV446-511
	Pilot Orifice LP	SRV446-517
	Pilot Orifice NG	SRV446-505
	Pilot Assembly LP	SRV530-511A
	Pilot Assembly NG	SRV530-510A
	Pilot Tube	SRV485-301
	On/Off Rocker Switch	SRV60-521A

## DSI Ignition Only

PART	PART DESCRIPTION	PART NUMBER
	DSI Valve	
	NG LP	SRV492-500 SRV492-501
	DSI Module	SRV501-592
	Electrode	SRV459-591
	On/Off Rocker Switch	SRV60-511


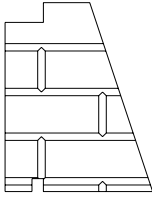
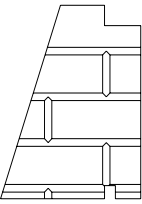
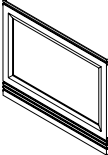
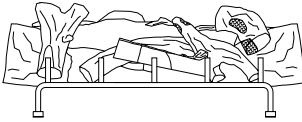
## Both Standing Pilot and DSI Ignition

PART	PART DESCRIPTION	PART NUMBER
	Burner Orifice	
	NG (#31A DMS) LP (#49A DMS)	SRV506-800 SRV65-801
	Glass Door Assembly	
		GLA-950
	Grate Assembly	
		SRV582-360A
	Burner Tube	
		SRV477-312
	Burner	
	NG LP	SRV582-378A SRV582-379A

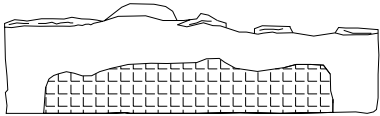
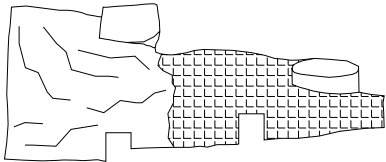
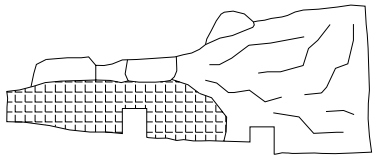
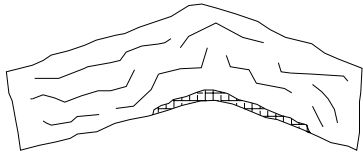
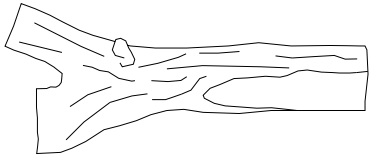
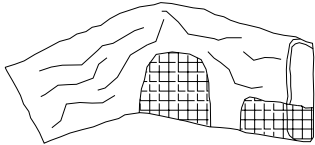
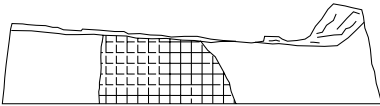
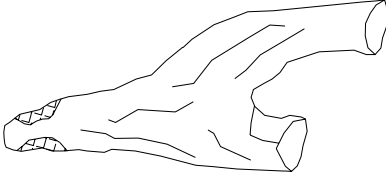
### GLASS SPECIFICATIONS:

8000TRC: 26 1/2 X 42 1/2 TEMPERED

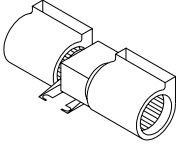
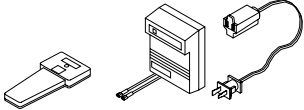
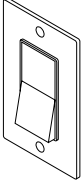
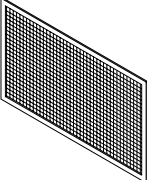
## Both Standing Pilot and DSI Ignition (Cont.)

PART	PART DESCRIPTION	PART NUMBER
	Refractory Front	
		SRV582-370
	Refractory Right Side	
		SRV582-377
	Refractory Left Side	
		SRV582-376
	Trim Door	
		DF-950M
	Log Set Assembly	
		Logs-8TRC

## Both Standing Pilot and DSI Ignition (Cont.)

PART	PART DESCRIPTION	PART NUMBER
	Log #1	
		SRV582-701
	Log #2	
		SRV582-702
	Log #3	
		SRV582-703
	Log #4	
		SRV582-704
	Log #5	
		SRV582-705
	Log #6	
		SRV582-706
	Log #7	
		SRV582-707
	Log #8	
		SRV402-701

## Accessories

ACCESSORY	PART DESCRIPTION	PART NUMBER
	Fan Kit	
		GFK-160A GFK-230
	Remote Control Kit	
		RC-SMART SMART-STAT RC-MLT
	Wall Switch Kit	
	Off White White	WSK-21 WSK-21-W
	Trim Door Mesh	
		MESH-8TRC
	Conversion Kit	
	NG Conversion LP Conversion	NGK-8TRC LPK-8TRC

## Free Manuals Download Website

<http://myh66.com>

<http://usermanuals.us>

<http://www.somanuals.com>

<http://www.4manuals.cc>

<http://www.manual-lib.com>

<http://www.404manual.com>

<http://www.luxmanual.com>

<http://aubethermostatmanual.com>

Golf course search by state

<http://golfingnear.com>

Email search by domain

<http://emailbydomain.com>

Auto manuals search

<http://auto.somanuals.com>

TV manuals search

<http://tv.somanuals.com>