

# shindaiwa



## Shindaiwa Trimmer Head Guide

How to load and service the most popular Shindaiwa trimmer heads, including complete replacement parts information and other important technical data.

**shindaiwa**

**First To Start. Last To Quit.**

Item 80792 6/03

# Shindaiwa Trimmer Head Guide



## INTRODUCTION

Shindaiwa offers several types of trimmer heads to meet the requirements of our customers. This booklet will help you – the distributor and dealer – to help your customers decide which trimmer heads to purchase, as well as give them step-by-step instructions on how to untangle the mess of installing trimmer line.

Each Shindaiwa trimmer head comes with a set of instructions on line installation. In the event that these instructions are lost or misplaced, feel free to provide your customers with a copy of the instructions from this booklet that matches their particular trimmer head.

## CONTENTS

	page no.
General Trimmer Head Information .....	3
Low Profile Manual Head .....	4
SemiMatic Trimmer Head .....	6
E-Z Load and E-Z Pro Trimmer Heads .....	8
High Capacity Trimmer Head .....	10
Midget Manual and High Profile Trimmer Heads .....	12
Pro-Matic and Bump 'N' Cut Trimmer Heads .....	14
HomePro Semi-Auto Feed .....	16
Pro Semi-Matic .....	18
UN-10 .....	20
UN-30 .....	21
UN-32 .....	22
Flail Trimmer Head .....	23
Super Flail Trimmer Head .....	24
Fixed Line Trimmer Head .....	25
Heavy-Duty Fixed Line Head .....	26
Adaptors .....	27

## ADAPTER BOLTS BY MODEL

Current Models	Bolt Size
22F	8mm / MRH
F230	8mm / MRH
22T	7mm / MLH
T230, T231, C230, T2500, 65001	7mm / MLH
T250, C250	8mm / MLH
T260, T261, C260	8mm / MLH
T270, T271, C270, T350	8mm / MLH
C350, B450, B530	10mm / MLH

## Discontinued Models Bolt Size

BP35	8mm / MLH
B40	10mm / MLH
B45	10mm / MLH
C35	10mm / MLH
F18	8mm / MRH
F20	8mm / MLH
F21	8mm / MRH
LT18	7mm / MLH
LT20	7mm / MLH
T18	7mm / MLH
T20, C20	7mm / MLH
T25, C25	8mm / MLH
T27, C27	8mm / MLH

MLH	Male, Left Hand Thread
MRH	Male, Right Hand Thread
FLH	Female, Left Hand Thread
FRH	Female, Right Hand Thread

# General Trimmer Head Maintenance Information

The most common cause of trimmer head malfunction is poor maintenance, especially true for tap-for-line, bump-feed, and fully automatic heads. Customers buy these heads for convenience so they don't have to reach down and advance the line—yet that added convenience often means the head is not properly maintained.

## A Few Tips

- Clean the head thoroughly each time line is refilled. Wipe all grass and debris from internal parts. Water will dissolve accumulated buildup, but a cleaner such as 409™ will aid in the task.
- Replace worn eyelets. Never run a trimmer head without eyelets installed. Running with an eyelet missing will cause the trimmer line to wear into the body of the head as well as create excessive vibration.
- Replace any noticeably worn parts. A knob at the bottom of a head is a wear part if it contacts the ground, especially in abrasive soil conditions and when the head is run against sidewalks and curbs.
- When winding line, keep both strings separate. Try to wind as evenly as possible to prevent snarling and reduce vibration.
- Trim line ends to equal length from the eyelet. Operation with uneven length trimmer line will cause excessive vibration.
- Always replace worn or damaged parts promptly.
- Make sure line is wound in the correct direction for the rotation of the head—  
**For heads with a LH arbor bolt**, wind line counterclockwise as viewed from the knob at the end of the trimmer head.  
**For heads with a RH arbor bolt**, wind line clockwise as viewed from the knob.

*“Clockwise for RH,  
Counterclockwise for LH”*

Any plastic material can dry out, especially when stored at high temperature and when exposed to direct sunlight. To prevent this, Shindaiwa packages much of their trimmer line in all-plastic holders so the line can be soaked in water to restore moisture.

Trimmer line with very low moisture content is brittle and inflexible. Winding dry line on a trimmer head can be very difficult. After soaking in water, the same line will become very flexible and far tougher, and service life will be significantly extended. **NOTE:** This also applies to flail blades.

**CAUTION:** Remove the bearing or bushing from Super Flail blades before soaking in water.

## The Shindaiwa Warranty

Shindaiwa warrants trimmer heads to be free of defects in materials and workmanship for 90 days. The warranty is for replacement parts only – not the entire trimmer head. Damage caused by wear, running with missing parts, etc. is not covered.

**Question:** Why does Shindaiwa carry so many trimmer heads?

**Answer:** There are different heads for different applications. Some heads feature manual adjustment of line length while others are tap-for-line models. In addition, some trimmer heads are intended for consumer use and others are intended primarily for commercial applications.

## CONSUMER HEADS

### Manual

**Midget Head** An inexpensive manual head for small-displacement trimmers.

### Tap-for-Line

**Bump & Cut** An inexpensive tap-for-line head for small-displacement trimmers.

### 3-Blade Flail

Economical flail head for weeds, light brush and grass.

## COMMERCIAL HEADS

### Manual

**Low Profile** Reasonably priced medium-duty manual head.

**High Profile** Proven “old reliable” manual head. Best choice for abrasive soil conditions where head is in contact with the ground.

### Tap-for-Line

**Pro-Matic** General purpose tap-for-line head.

**EZ-Load** Simple to load, easy to reassemble.

**EZ-Pro** Similar to EZ-Load with larger line capacity.

**SemiMatic** Tough tap-for-line head. Stays clean by design. Reel in cover for fast reloading.

**Pro-Head** Professional tap-for-line head.

### Fixed-Line Head

One-piece die cast metal head. No moving parts to lose. First choice for many commercial users. Contains grooves in sides to prevent line shearing when head contacts solid objects. Permits cutting lower to the ground than any other line cutting attachment.

### Super Flail Head

Heavy-duty head for thick, tough grass and brush.

**NOTE:** Flail-type heads are not a good choice for stemmy material such as mature blackberry vines and tree seedlings.

# INSTALLATION INSTRUCTIONS

## Low Profile Manual Trimmer Head

### Model View



#### 72036-15200

Fits LT18, T18, T20, C20, LT20, T230, C230, 22T

#### 72005-92001

Fits F20, T25, C25, T27, C27, BP35, T250, C250, T270, C270, T260, C260, T350

#### 72017-92001

Fits C35, C350, RC45, B45, B450

**NOTE:** Operating with trimmer line of uneven length will cause excessive vibration. Always make sure the line is wound evenly and trimmed to equal lengths from the eyelets.

#### Line Chart

**72036-15200**

**72005-92001**

**72017-92001**

Shipped with  
20 feet of .080 line.

**Maximum fill—**

40 feet of .080

30 feet of .095

26 feet of .105

1



Remove the knob and spring (turn counterclockwise to remove).

2



Remove the line spool.

3



Clean the spool, housing and eyelets. Inspect for wear and damage. Replace damaged components.

4



Reattach the eyelets if they were removed. **Never operate a trimmer head head without eyelets!**

5



Replace the line by threading it through the eyelet in the spool until the line ends are of about equal length. Refer to the Line Chart (above) for the proper amount of line.

6



Bend the line at the eyelet to form two lengths. Wind both ends clockwise as viewed from the underside of the head.

**To advance line:** With the engine off, loosen the bottom knob a few turns in the direction of rotation. Grasp the trimmer head in both hands. Rotate the bottom of the spool clockwise and pull the line through the eyelets. Re-tighten the knob before operating the trimmer.



Use your finger to separate the line into two sections. Doing so will assist in a smooth line feed when the head is reassembled.



Holding the spool and wound line in one hand, place the lines 180 degrees apart.



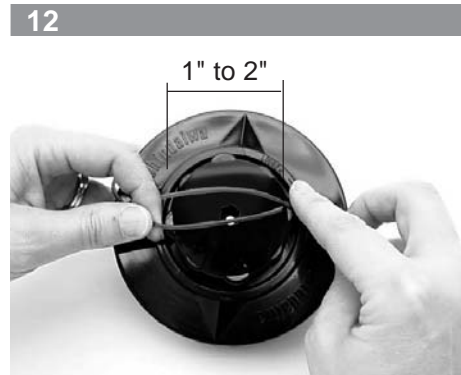
Hold the spool over the housing and feed one line end into an eyelet. As you place the spool in the head, feed the other line into the opposite eyelet. **Make sure one line does not slide under the spool.**



**Tip:** Sometimes it's easier to remove one eyelet to install the second piece of line. Slide the eyelet over the line two to three inches, then push the eyelet in place as the spool is replaced in the housing.

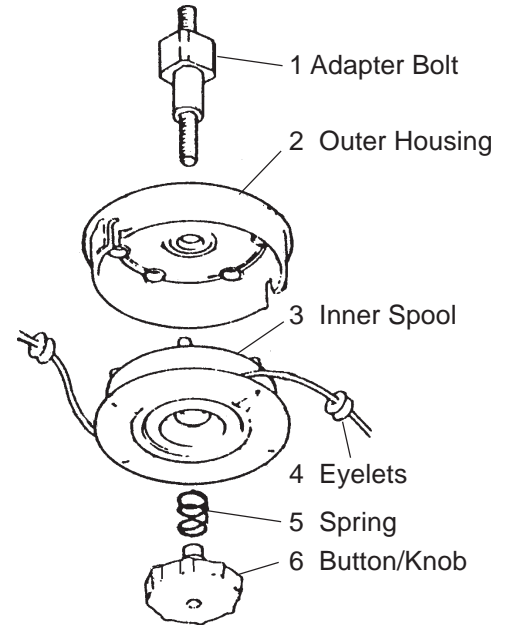


Reinstall the spring and knob. Tighten securely.



A properly wound and reassembled head should have four or five inches of line extending from each eyelet and the overlap should be one to two inches. Trim as needed to final length.

## PARTS LIST



### Low Profile Head

#### 72036-15200

Item	Part No.
1	72036-15210
2	72005-92740
3*	72005-92630
4	72005-92720
5	72005-92660
6	72005-92770

#### 72005-92001

Item	Part No.
1	72005-92710
2	72005-92740
3*	72005-92630
4	72005-92720
5	72005-92660
6	72005-92770

#### 72017-92001

Item	Part No.
1	72017-92710
2	72005-92740
3*	72005-92630
4	72005-92720
5	72005-92660
6	72005-92770

\*2 required

# INSTALLATION INSTRUCTIONS

## SemiMatic Trimmer Head

### Model View



#### 99909-15500

Fits LT18, T18, T20, C20, LT20, T230, C230, 22T

#### 99909-15600

Fits F20, T25, C25, T27, C27, BP35, T250, C250, T260, C260

**NOTE:** Operating with trimmer line of uneven length will cause excessive vibration. Always make sure the line is wound evenly and trimmed to equal lengths from the eyelets.

#### Line Chart

99909-15500

99909-15600

Shipped with 10 feet of .095 line

#### Maximum fill—

40 feet of .080

26 feet of .095

20 feet of .105

1



Turn the knob clockwise to remove the knob and spool (one piece). Make sure the white lock tab is visible in the "L" window on the knob before starting to turn.

2



Remove the knob and spool.

3



Clean the housing and spool and inspect for damage and wear. If the eyelets are worn excessively, replace the housing. **Note:** The inner and outer cams in the spool can be serviced by a dealer.

4



Replace the line by threading it through the eyelet in the spool until the line ends are of equal length.

5



With the knob facing away from you, wind the line counterclockwise. Hook the line into line saver slots in the spool housing.

6



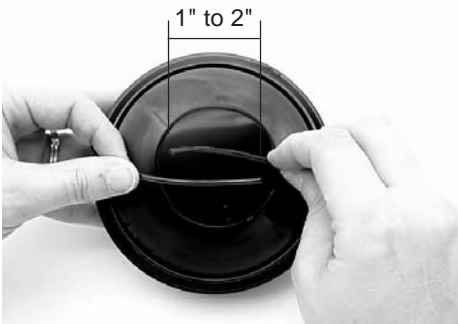
Install the knob and spool in the housing while threading the line through the eyelets. Pull the line to seat the spool.

7



Turn the knob/spool counterclockwise to lock the spool in the housing. You will feel a firm "click" when the white lock tab snaps into place.

8



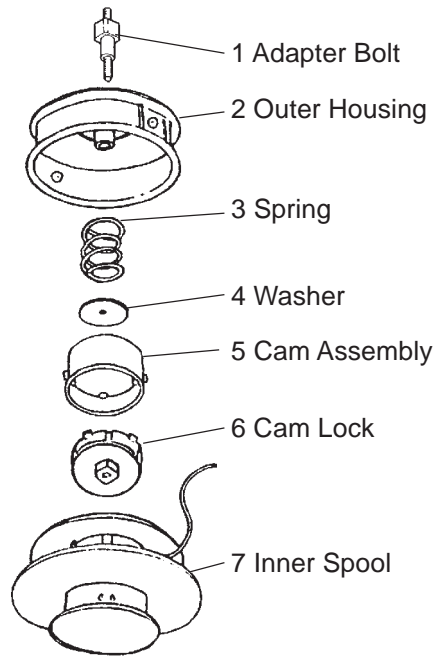
A properly reassembled head should have four to five inches of line extending from each eyelet, and the total overlap should be one to two inches.

9



Trim the line to equal length as required to avoid excessive vibration.

## PARTS LIST



### SemiMatic

#### 99909-15500

Item	Part No.
1	72036-15210
2	99909-15510
3	99909-15520
4	99909-15530
5	99909-15540
6	99909-15550
7	99909-15560

#### 99909-15600

Item	Part No.
1	72005-92710
2	99909-15510
3	99909-15520
4	99909-15530
5	99909-15540
6	99909-15550
7	99909-15560

# INSTALLATION INSTRUCTIONS

## E-Z Load and E-Z Pro Trimmer Heads

### E-Z Load



#### E-Z Load 99909-017

Fits LT18, T18, LT20, T20, C20, T230, C230, 22T

#### 99909-018

Fits F20, T25, C25, T250, C250, T27, C27, T270, C270, T260, C260, BP35

#### 99909-018RB

Fits 22F

### E-Z Pro



#### E-Z Pro 99909-028

Fits T25, C25, T27, C27, T250, C250, T270, C270

#### 99909-020

Fits B40, B45, B450, C35, C350, RC45

**NOTE:** Operating with trimmer line of uneven length will cause excessive vibration. Always make sure the line is wound evenly and trimmed to equal lengths from the eyelets.

### Line Chart

#### E-Z Load

99909-017

99909-018

Shipped with 15 feet of .095 line.

#### Maximum fill—

45 feet of .080

34 feet of .095

32 feet of .105

#### E-Z Pro

99909-028

99909-020

Shipped with 15 feet of .095 line.

#### Maximum fill—

50 feet of .080

40 feet of .095

36 feet of .105

1



Press the upper body in at the spots marked "Push Open". Pull the lower part of the trimmer head down.

2



Remove the line spool from the lower body of the trimmer.

3



If nylon line is extending through the eyelets, push the bump knob in while rotating the line spool until the slots in the spool line up with the eyelets, then remove the spool.

4



Clean and inspect the spool, housing and eyelets. Replace worn or damaged components.

5



Cut two equal lengths of trimmer line, no longer than 25 feet each. Place an end from each piece of line in the holes in the center of the spool.

6

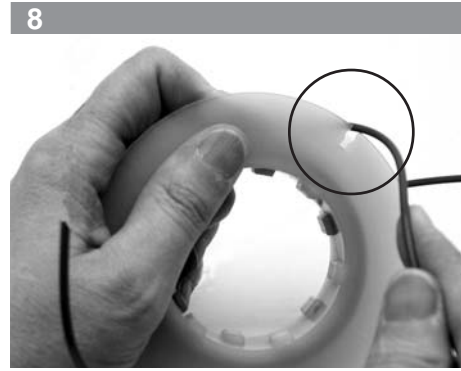


While holding the line ends, pull each line down toward the inside of the spool through the slots next to the holes.





With line saver slots facing away from you, wind the line clockwise on the spool. Use a finger to keep the two lines separate (spool shown is for 99909-017).



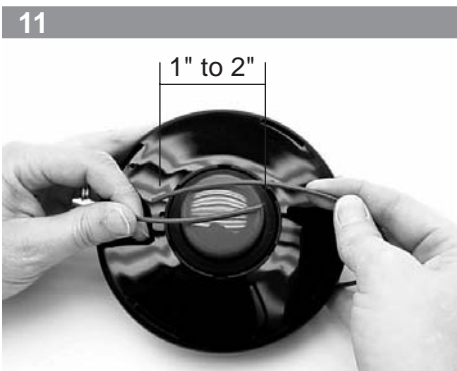
Lock the ends of the line in the line saver slots in the spool.



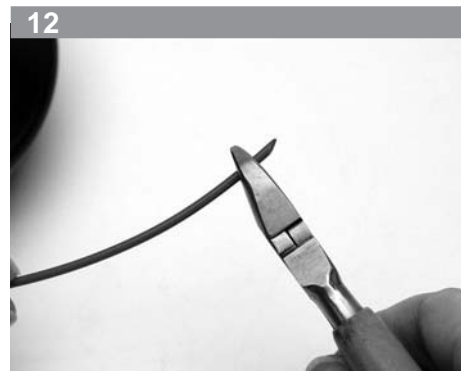
Thread the ends of the line into the eyelets in the housing. **Do not allow line to go under spool.**



Replace the cover by aligning the tabs, then snap the cover in place. Pull line free from the line saver slots.

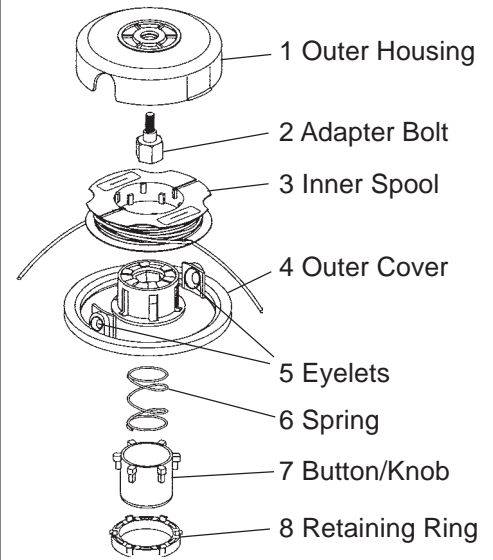


Check for a maximum line overlap of one to two inches (four to five inches of line extending from each eyelet).



Trim as required to final length.

## PARTS LIST



### E-Z Load

#### 99909-017

Item	Part No.
1	101134
2	102351
3	101030
4	101135
5*	105115
6	107001
7	101136
8	101137

### E-Z Pro

#### 99909-018

Item	Part No.
1	101134
2	102350
3	101030
4	101135
5*	105115
6	107001
7	101136
8	101137

### 99909-028

#### Item Part No.

1	101170
2	102349
3	101171
4	101172
5*	106007
6	107001
7	101136
8	101137

### 99909-020

#### Item Part No.

1	101170
2	102350
3	101171
4	101172
5*	106007
6	107001
7	101136
8	101137

\*2 required

# INSTALLATION INSTRUCTIONS

## High Capacity Trimmer Head

### Model View



**Note:** This trimmer head can operate either as a manual feed or a bump feed.

**99909-007**

Fits T230 and C230

**99909-008**

Fits T27, C27, T270, C270, T260, C260, BP35

**NOTE:** Operating with trimmer line of uneven length will cause excessive vibration. Always make sure the line is wound evenly and trimmed to equal lengths from the eyelets.

### Line Chart

**99909-007**

**99909-008**

Shipped with 21 feet of .080 line.

### Maximum fill—

50 feet of .080

40 feet of .095

36 feet of .105

1



Turn the lower knob at the bottom of the trimmer head clockwise to disassemble the halves.

2



Remove the spool from the housing.

3



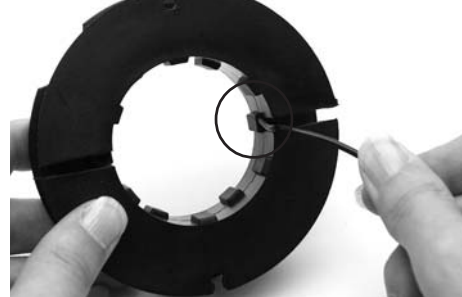
Clean the spool, housing and eyelets. Inspect for wear and damage. Replace damaged components.

4



Inspect the arbor bolt and replace it if damaged. Reattach the eyelets if they were removed or replaced. **Never operate a trimmer head without eyelets!**

5

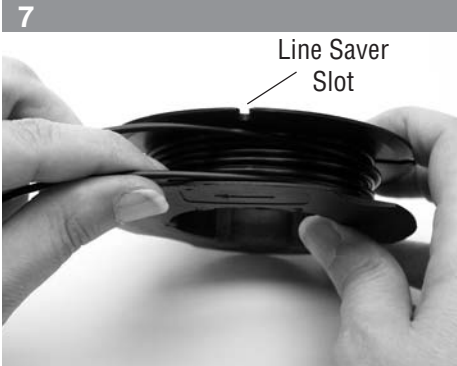


Cut two equal lengths of trimmer line, no longer than 25 feet each. Place an end from each piece of line into the holes in the center of the spool.

6



Wind the line clockwise onto the spool following the direction of the arrows stamped into the spool.



Continue winding the line onto the spool, keeping one finger between the lines. Lock the ends of each line segment into line saver slots in the spool.



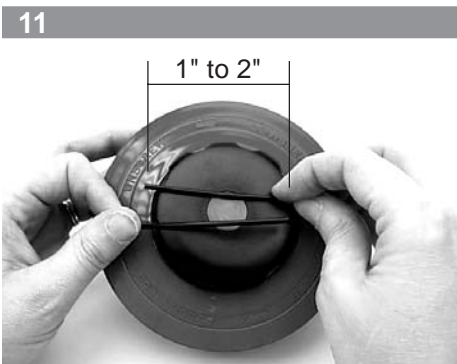
Thread the ends of the line into the eyelets in the housing. **Do not allow line to go under the spool.**



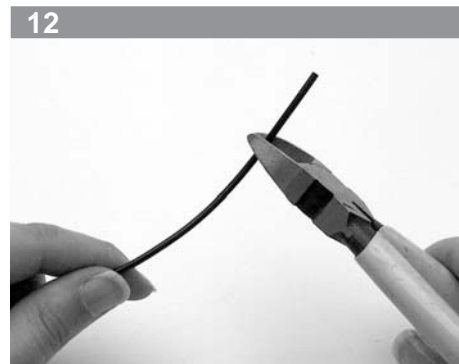
Replace the arbor bolt in the top of the trimmer head. Install the spacers as shown.



Replace the cover. Tighten the lower knob by turning counterclockwise. Pull the line ends free from the line saver slots.

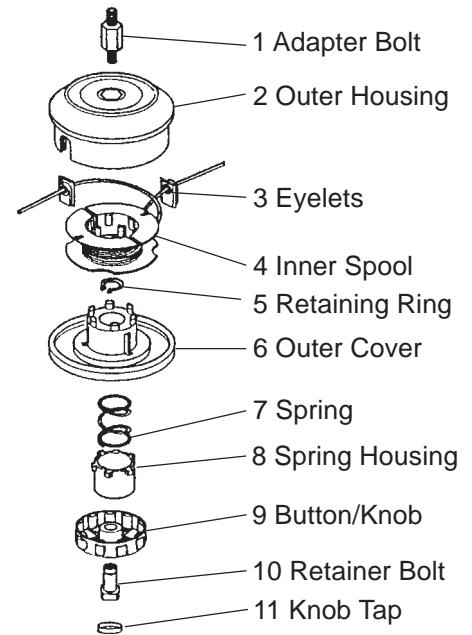


Check for maximum line overlap of one to two inches (four to five inches of line extending from each eyelet).



Trim as required to final length.

## PARTS LIST



### High Capacity

#### 99909-007

Item	Part No.
1	99909-217
2	101061
3*	106003
4	101030
5	103025
6	101053
7	107006
8	101054
9	101074
10	102082
11	101072

#### 99909-008

Item	Part No.
1	99909-218
2	101061
3*	106003
4	101030
5	103025
6	101053
7	107006
8	101054
9	101074
10	102082
11	101072

\*2 required

# INSTALLATION INSTRUCTIONS

## Midget Manual and High Profile Trimmer Heads

### Midget Manual



#### 72414-15100\*

Fits F18, F21, F230

#### 72086-15100

Fits LT18, T18, T20, C20, LT20, T230, C230, 22T

#### 72031-15100

F20

### High Profile



#### 72005-92600

Fits T25, C25, T27, C27, BP35, T250, C250, T260, C260, T270, C270, T350

#### 99909-151

Fits C35, B45, RC45, C350, B450

**NOTE:** Operating with trimmer line of uneven length will cause excessive vibration. Always make sure the line is wound evenly and trimmed to equal lengths from the eyelets.

### Line Chart

#### Midget Manual

72414-15100

72086-15100

72031-15100

Shipped with 14 feet of .080 line.

#### Maximum fill—

26 feet of .080

6 feet of .095

#### High Profile

72005-92600

99909-151

Shipped with 21 feet of .095 line.

#### Maximum fill—

26 feet of .095

20 feet of .105

1



Remove the wing nut knob and spring (turn counterclockwise to remove on 72414-15100; turn clockwise on all others).

2



Remove the line spool.

3



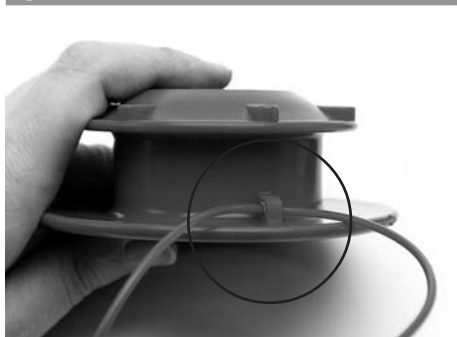
Clean the spool, housing and eyelets. Inspect for wear and damage, and replace damaged components.

4



Reattach the eyelets (if they were removed). **Never run a trimmer head without eyelets!**

5



Replace the line by threading through the eyelet in the spool until the line ends are of equal length. Refer to the Line Chart (above) for the proper amount of line.

6



Bend the line at spool eyelet to form two lengths. **72414-15100:** Wind both ends clockwise as viewed from the underside of the head. **All others:** Wind counterclockwise.

**To advance line:** With the engine off, loosen the wing nut a few turns in the direction of rotation. Grasp the trimmer head with both hands. Rotate the bottom of the spool clockwise and pull the line through the eyelets. Re-tighten the wing nut before operating the trimmer.



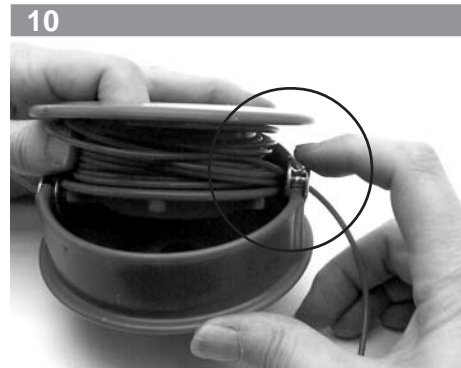
Use your finger to separate the line end into two separate sections. Doing so will assist in a smooth line feed when the head is reassembled.



Holding the spool and wound line in one hand, place the line ends 180 degrees apart. **Note:** The photo illustrates the spool for 72414-15100.



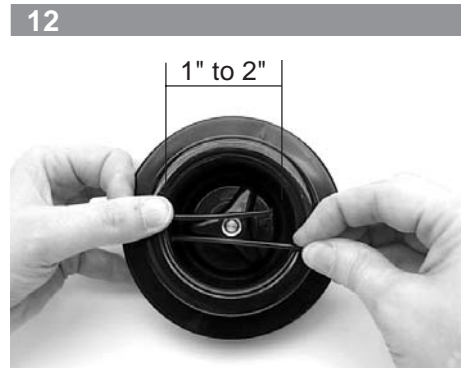
Hold the spool over the housing and feed one line into an eyelet. As you place the spool in the head, feed the other line into the opposite eyelet. **Make sure one line does not slide under the spool.**



**Tip:** Sometimes it's easier to remove one eyelet when installing the second piece of line. Slide the eyelet over the line for two to three inches, then push the eyelet in place as the spool is replaced in the housing.

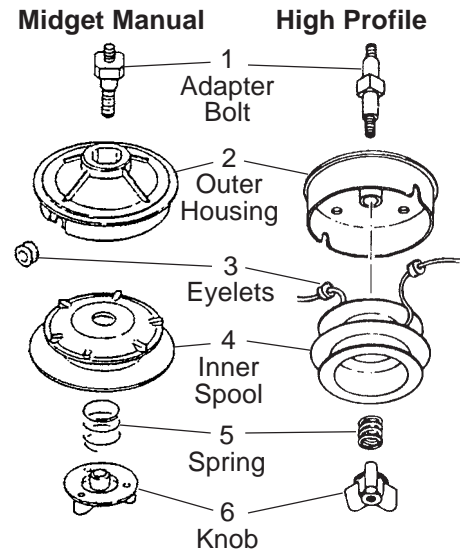


Reinstall the spring and wing nut knob. Tighten firmly.



A properly reassembled head should have four to five inches of line extending from each eyelet, and the overlap should be one to two inches. Trim as required to final length.

## PARTS LIST



### Midget Manual Head

#### 72414-15100

Item	Part No.
1	72414-15110
2	72414-15120
3*	72005-92630
4	72414-15140
5	72005-92660
6	72414-15160

#### 72086-15100

Item	Part No.
1	72086-15110
2	72414-15120
3*	72005-92630
4	72414-15140
5	72005-92660
6	72031-15160

#### 72031-15100

Item	Part No.
1	72005-92710
2	72414-15120
3*	72005-92630
4	72414-15140
5	72005-92660
6	72031-15160

\*2 required

### High Profile Head

#### 72005-92600

Item	Part No.
1	72005-92710
2	72005-92620
3*	72005-92630
4	72005-92640
5	72005-92660
6	72031-15160

#### 99909-151

Item	Part No.
1	72017-92710
2	72005-92620
3*	72005-92630
4	72005-92640
5	72005-92660
6	72031-15160

# INSTALLATION INSTRUCTIONS

## Pro-Matic and Bump 'N' Cut Trimmer Heads

### Pro-Matic



#### UN32-7L

Fits LT18, T18, T20, C20, LT20, T230, C230, 22T

#### UN32-8L

Fits F20, T25, C25, T27, C27, BP35, TC250, T270, C270, T260, C260

#### UN32-10L

Fits C35, C350, RC45, B45, B450

### Bump 'N' Cut



#### UN34-7L

Fits LT18, T18, LT20, T20, C20, T230, C230, 22T

#### UN34-8R

Fits F18, F21, F230, 22F

**NOTE:** Operating with trimmer line of uneven length will cause excessive vibration. Always make sure the line is wound evenly and trimmed to equal lengths from the eyelets.

### Line Chart

#### UN32-7L

#### UN32-8L

#### UN32-10L

Shipped with 18 feet of .080 line.

#### Maximum fill—

40 feet of .080

28 feet of .095

26 feet of .105

#### UN34-8R

Shipped with 21 feet of .080 line.

#### Maximum fill—

33 feet of .080

16 feet of .095

14 feet of .105

1



Depress the tab on the lower housing and twist the cover counterclockwise (clockwise on UN34-8R) to align arrows. Remove the cover and button.

2



Remove the spool and spring (the spring is located under the spool).

3



Clean the spool, housing and eyelets. Inspect for wear and damage. Replace damaged components.

4



Inspect the arbor bolt and replace it if damaged. Re-attach the eyelets if they were removed or replaced.

**Never operate a trimmer head without eyelets!**

5

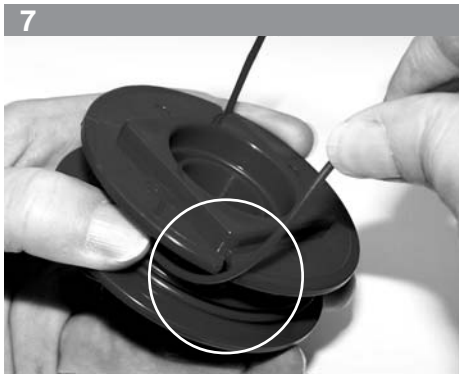


Replace the line by threading it through the eyelet in the spool until line lengths are equal. Refer to the Line Chart (above) for the proper amount of line.

6



With line saver slots facing you, wind the line clockwise in the spool using a finger to keep the two lines separate (UN34-8R: Wind the line counterclockwise).



Lock the ends of line into line saver slots in spool.



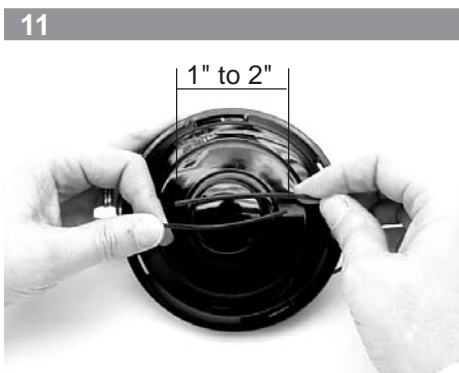
Insert the spring onto the bolt. With the line saver slots on the spool facing the bolt, thread the ends of the line into the eyelets in the housing. Do not allow the line to go under the spool.



Place the button in the center of the spool.



Replace the cover by aligning the tabs and then twisting counterclockwise as viewed from the button side of the head (UN34-8R: Twist clockwise). Pull the line free from the line saver slots.

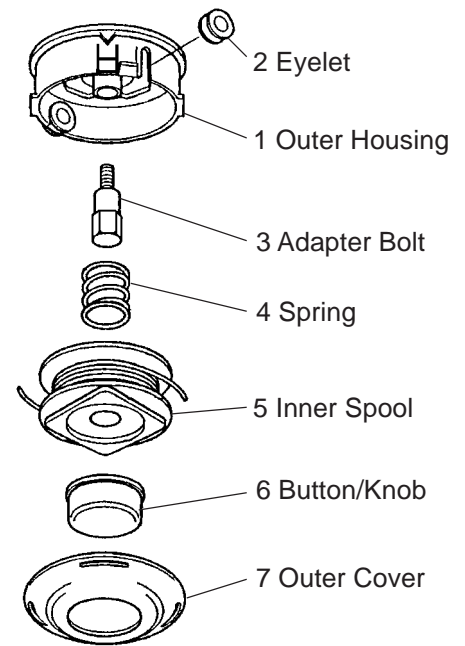


Check for a maximum line overlap of one to two inches (four to five inches of line extending from each eyelet).



Trim as required to final length.

## PARTS LIST



### Pro-Matic (UN-32)

#### UN32-7L

Item	Part No.
1	99909-15700
2*	72005-92630
3	99909-15720
4	99909-15520
5	99909-15580
6	99909-15590
7	99909-15610

#### UN32-8L

Item	Part No.
1	99909-15700
2*	72005-92630
3	99909-15730
4	99909-15520
5	99909-15580
6	99909-15590
7	99909-15610

#### UN32-10L

Item	Part No.	Item	Part No.
1	99909-15700	5	99909-15580
2*	72005-92630	6	99909-15590
3	99909-15740	7	99909-15610
4	99909-15520		

### Bump 'N' Cut (UN-34)

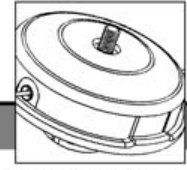
#### UN34-7L

Item	Part No.
1	99909-15710
2*	72005-92630
3	99909-15720
4	72078-15240
5	99909-15770
6	99909-15780
7	99909-15755

#### UN34-8R

Item	Part No.
1	99909-15790
2	72005-92630
3	99909-15800
4	72078-15240
5	99909-15810
6	99909-15780
7	99909-15750

\*2 required



### OPERATIONAL INSTRUCTIONS

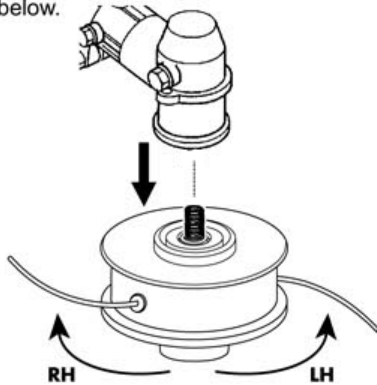
Shindaiwa is a world leader in manufacturing accessories for brush-cutters and trimmers. We appreciate your decision to buy the "HomePro Semi-Auto feed" trimmer head and recommend you take a few minutes to review this information which will aid you in maximizing its performance.



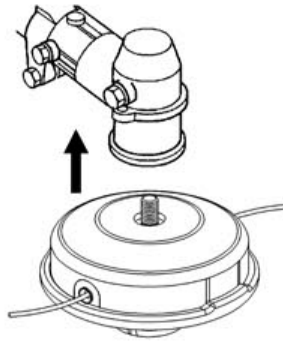
**CAUTION!** Before using your trimmer, make sure the cutting attachment debris shield is in place and always wear eye and ear protection. Prior to using the HomePro Semi-Auto feed trimmer head, please follow the safety instructions.

### Installation instructions \*

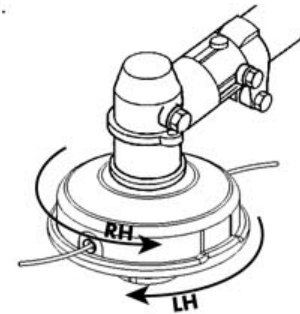
1. Remove the old trimmer head if installed, from the trimmer as shown below.



2. Screw the "HomePro Semi-Auto feed" trimmer head onto the trimmer using the required arbor bolt for your machine.



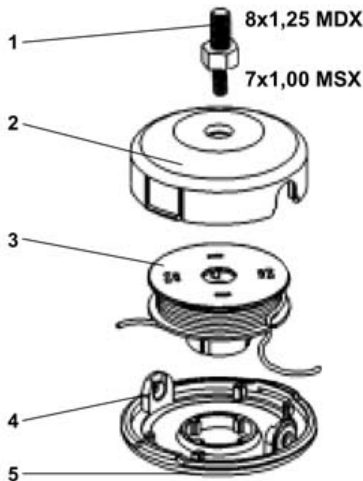
3. Hold the trimmer arbor in place using the tool that came with your trimmer or brushcutter to prevent arbor rotation and hand tighten the HomePro Semi-Auto feed trimmer head.



\*Cutting attachment shield not shown for clarity. The cutting attachment shield must be installed before using the trimmer.

### Components

#### DOUBLE BOLT INSERT



REF.	QTY.	PART NO.	DESCRIPTION
1	1	102224	Double bolt insert (7x1,00MSX + 8x1,25MDX)
2	1	101213	Upper body
3	1	202001	Spool assemble
4	2	105114	Eyelet
5	1	101214	Lower body

### Safety instructions



**CAUTION!** - Trimmer heads rotate at high speeds. It is essential to check the trimmer head often for damage. If damaged parts are found, immediately discontinue use of the trimmer head and either repair or replace the head.

Shindaiwa emphasizes that you adhere to the following safety precautions to protect you and others from harm. These procedures are general guidelines only, and are not intended to replace any safety rules/laws that may be in effect in your area.

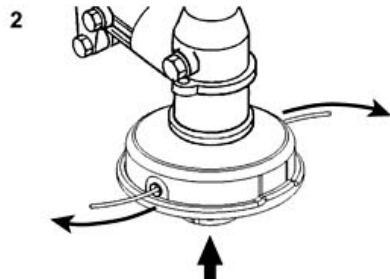
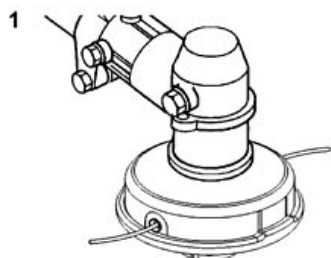
- 1) Always use eye, ear, foot and leg protection when using a trimmer or brushcutter.
- 2) Always use the HOMEPRO SEMI-AUTO FEED trimmer head for trimming and cutting grass and light vegetation-do not use it for any other purpose.
- 3) Bystanders should stay 50 feet away from the trimmer while the trimmer is in use.



- 4) Do not allow the HomePro Semi-Auto feed trimmer head to contact walls, rocks, debris, etc. when in use as this could damage the head and possibly cause harm to you or bystanders.
- 5) **USE ONLY NYLON LINE, NEVER USE METAL LINE.**
- 6) Each time the HomePro Semi-Auto feed trimmer head is refilled with nylon type trimmer line, remove any dirt or debris from inside the trimmer head body to ensure long lasting performance.
- 7) The HomePro Semi-Auto feed trimmer head can cause harm if improperly used.

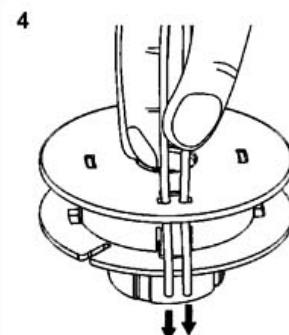
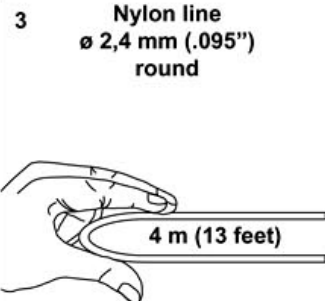
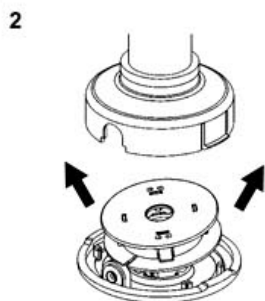
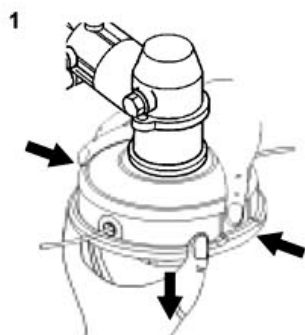


## Extending the trimmer line

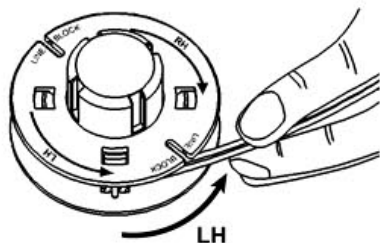


The HomePro Semi-Auto feed trimmer head comes with a simplified bump system that requires the operator to tap the knob on the ground while the head is turning to advance the nylon line.

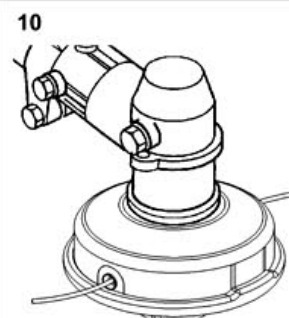
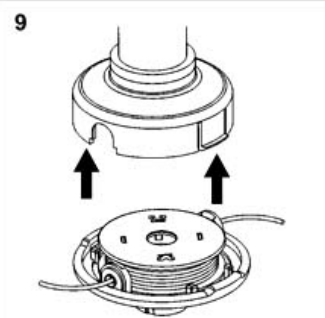
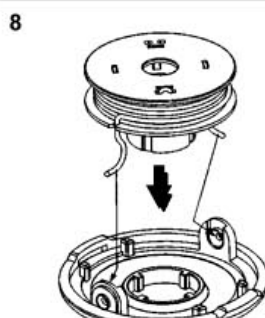
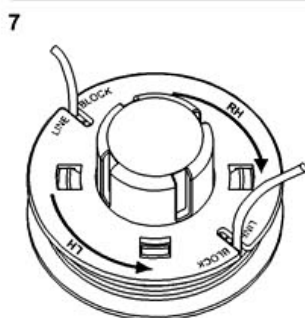
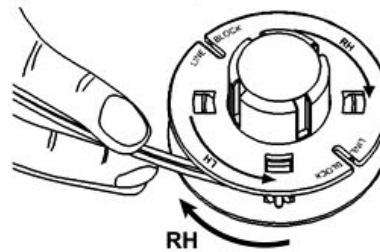
## How to reload the trimmer line



- 5 **IF YOUR TRIMMER TURNS TO THE LEFT**  
(Counterclockwise rotation as viewed from the operating position). Wrap the line to the left as indicated on the spool "LH".



- 6 **IF YOUR TRIMMER TURNS TO THE RIGHT**  
(Clockwise rotation as viewed from the operating position). Wrap the line to the right as indicated on the spool "RH".



### IMPORTANT

If you have any questions, please contact your Shindaiwa dealer.

MADE IN ITALY

# PRO SEMI-MATIC™

Dual-Line, Head for Straight-Shaft Trimmers

## Arbor Installation

To install the arbor, please take a moment to follow these easy steps:

- Remove spring from upper housing by turning the spring clockwise and pulling upward at the same time.
- **NOTE:** The two ends of the spring are NOT the same size. The small end is designed to fit on the upper housing tightly. Be certain to use the small end when reinstalling the spring after you have inserted the arbor.
- Refer to your owners manual for the proper thread size for the adaptor needed for mounting the trimmer head. (To prevent damage to your trimmer, do not force the threads of the adaptor, remembering that left hand threads turn counter-clockwise.)
- After selecting the proper adaptor, please insure a correct match by test starting the adaptor on your trimmer before installing it into the upper housing.
- Install the adaptor by inserting it into the hex-shaped, plastic holder molded into the center of the upper housing. Push the adaptor in as far as you can by hand.
- Using a small hammer, tap gently on the adaptor until it appears to be seated. Tighten the head by hand onto trimmer (counter-clockwise for left hand threads) until it fits snug.
- Reinstall the **SMALL** end of the spring on the upper housing by using a clockwise motion, while pushing downward. Check to insure the spring is completely seated.

## Cutting Technique

- Recommended line length is achieved simply by wrapping the line exiting one eyelet around to the other and cutting it off. Repeat this technique for both lines.
- Cutting line extending 3" or less from the head will require manual release.
- Never use any wire in place of nylon string.

## To Load Line Supply

- Push in one or both of the locking tabs, releasing them from their notch (Figure 1) and pull on the rotary head cap.
- When both locking tabs have released, lift head cap off and remove spool.
- Cut a length of cutting line that is the recommended diameter and length per chart on back.

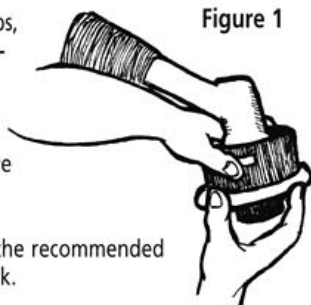


Figure 1

- Loop both ends through holes inside spool and make certain that both lines of the loop are extended evenly (Figure 2)

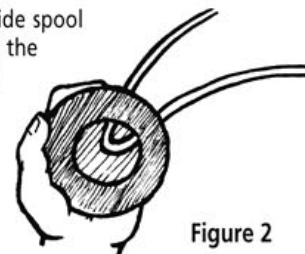


Figure 2

- Hold spool as shown (Figure 3) and feed line on neatly by rotating the spool counter clockwise, which is the preferred direction although the spool can be rotated in either direction.

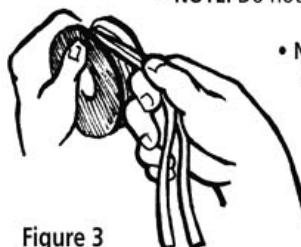


Figure 3

- **NOTE:** Do not wind line on, rotate the spool.

- **NOTE:** Clean all dirt, dust, and grass out of head, spool, Floating Eyelets™ and head cap before reassembling.

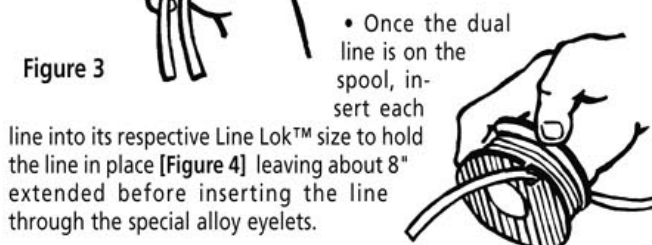


Figure 4

**NOTE:** Two Line Loks™ for both lines are provided for each model of cutting head. The Line Loks™ are diagonal from one another. 80401 (.065 to .105) 80403 (.080 to .130)

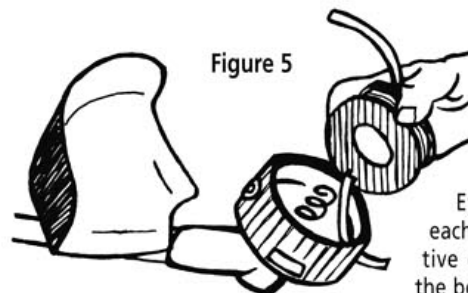


Figure 5

- Once the line is locked on the spool, hold the spool as shown in (Figure 5). Align to Floating Eyelets™ and insert each line into its respective eyelet starting with the bottom Line Lok™.

- Making certain that lines have not become trapped under the spool (Figure 6) place the spool back in the head.



Figure 6

- Re-install head cap by aligning locking tabs with their notches and pushing cap down until both locking tabs are securely seated (Figure 7).

- Pull both lines gently to release the Line Lok™. Check operation by advancing the line manually, making sure lines are not trapped, and head is assembled correctly.

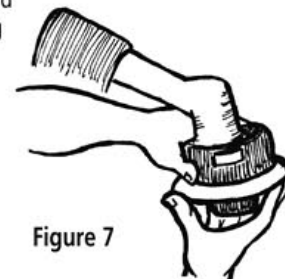


Figure 7

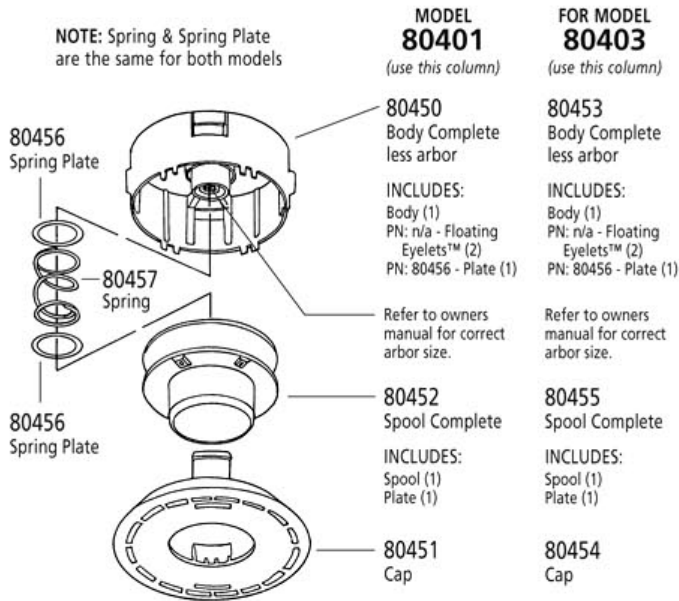
## Extending Line

- As you perform your trimming tasks, the cutting line will wear shorter. It may be extended by tapping on the ground, with the engine running or manually, with engine stopped.
- **With engine running** at full speed, lightly tap (do not pound) the head on the ground. Line will advance approximately 1/2 inch per tap.
- When tapping for line, it should be done on bare ground or a hard surface.
- **NOTE:** The cutting line will not extend by tapping if the line is worn too short. You should extend the line before it is worn to 3 inch length.
- **With engine stopped** line can be advanced manually, by turning the unit over so you are facing the bottom of the head. While pulling outward on one and then the other of the cutting lines, push in on the bumper (spool). When the line stops, release the spool and continue pulling the lines. Keep repeating this procedure until the desired amount of line is extended.

## Limited Lifetime Warranty

Warranty covers defects in material or workmanship and is limited to a free replacement of the defective part. To claim a defective part, simply return the part to your Pro Semi-matic™ dealer.

## Illustrated Parts List - Cutting Head Assembly



### Model 80401 (Cutting Swath = 18")



Head accommodates cutting line sizes:	.065	.080	.095	.105
Recommended:		X	X	
Maximum Capacity:	60 ft	40 ft	30 ft	20 ft
Recommended Minimum Engine H.P.:	1.0	1.3	1.6	1.6

*If you need even greater line capacity, more line size options and wider cutting swath, try:*

### Model 80403 (Cutting Swath = 22")

Head accommodates cutting line sizes:	.080	.095	.105	.130
Recommended:		X	X	
Maximum Capacity:	80 ft	60 ft	50 ft	30 ft
Recommended Minimum Engine H.P.:	1.6	1.6	2	2.4

## SHINDAIWA PRO SEMI-MATIC™ ADAPTER CHART

Model 80402		Adapter pictured is included to fit the following Shindaiwa models:
 7mm x 8mm LHM (#80458)	7mm Application	22T, T230, T230XR, T230XB, T231, T231B, T2500, C230, M230, M231
	8mm Application	T260, T260B, T261, T261B, T270, T271, T350, C230, C270
Model 80404		Adapter pictured is included to fit the following Shindaiwa models:
 8mm x 10mm LHM (#80459)	8mm Application	T260, T260B, T261, T261B, T270, T271, T350, C260, C270
	10mm Application	C350, B450, B530

## SIMPLY THE BEST!

<b>Application</b>	The Pro Semi-matic™ head fits Shindaiwa trimmer models as noted above.
<b>Heavy Duty Construction</b>	Heads are made of high quality, impact shock resistant, long lasting nylon for extended life under heavy commercial use. Special glass filled bump and cap for even longer life.
<b>Large Line Capacity</b>	Both the 4" and 6" heads hold the greatest amount of line in the industry. Greater line capacity means more cutting time, less downtime for the user.  <i>4" (60' of .065; 40' of .080; 30' of .095; 20' of .105) cutting swath 18"</i> <i>6" (80' of .080; 60' of .095; 50' of .105; 30' of .130) cutting swath 22"</i>
<b>Floating Eyelets</b>	Captured eyelets float to reduce line melt and eliminate lost eyelets when adding line.
<b>Interchangeability</b>	All arbors, springs and spring plates, fit both the 4" and 6" heads.
<b>Fewer Parts</b>	No loose pieces to fall off in the field when adding line; thereby reducing costly downtime.
<b>Versatility</b>	The line can be wound on the spool in either direction—no separate spools for right or left rotation. Line can be indexed manually or by bump and go.
<b>Cap Extension</b>	Offers greatest protection to eyelets and head body. Reduces potential damage at work or in transit.
<b>Warranty</b>	Lifetime limited warranty against defects in material and workmanship.

# UN10 Assembly and Rewinding Instructions



## WARNING!

- Do not make unauthorized modifications or alterations to this unit or its components. Non-standard parts may not operate properly with this trimmer head and may cause damage and lead to personal injury.
- Always wear eye protection such as goggles or safety glasses to shield against thrown objects.
- Reduce the risk of bystanders being struck by flying debris. Make sure no one is within 50 feet (15 meters)—that's about 16 paces—of an operating attachment.

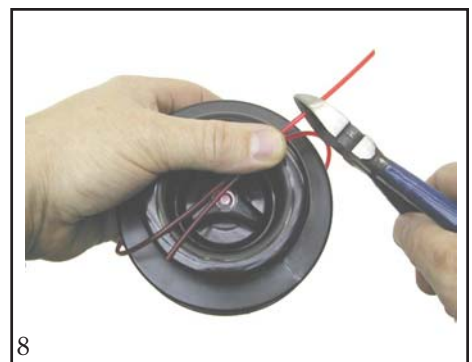
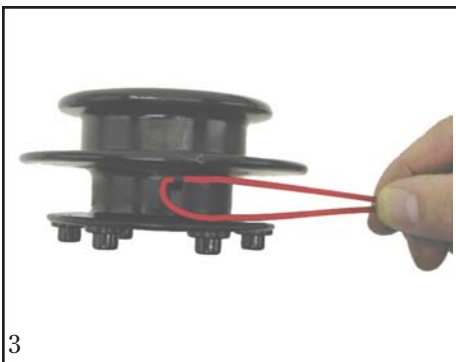
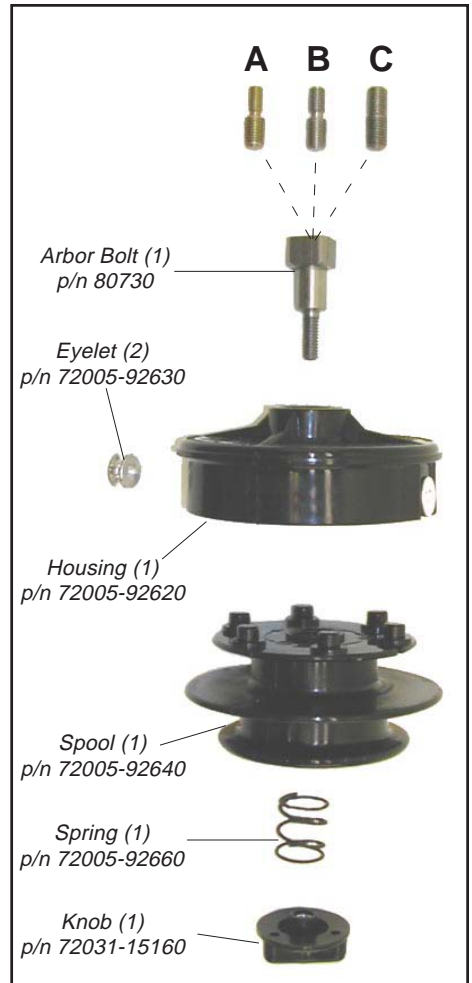
## NOTE:

Each package contains (3) steel studs. Select the correct stud for your Shin-daiwa trimmer or brushcutter model.

- A. 7mm LH (gold p/n 80676)  
(Fits 22T, 22C, T230, T231, C230, T2500, T2500X, 65001 multipurpose tool)
- B. 8mm LH (silver p/n 80677)  
(Fits T260, T261, C260, T270, T272X, C270, T350)
- C. 10mm LH (silver p/n 80678)  
(Fits C350, B450, B530)

## Line capacity:

- .080" .... 38'
- .095" .... 26'
- .105" .... 20'



# UN30 Assembly and Rewinding Instructions



## WARNING!

- Do not make unauthorized modifications or alterations to this unit or its components. Non-standard parts may not operate properly with this trimmer head and may cause damage and lead to personal injury.
- **Always** wear eye protection such as goggles or safety glasses to shield against thrown objects.
- Reduce the risk of bystanders being struck by flying debris. Make sure no one is within 50 feet (15 meters)—that's about 16 paces—of an operating attachment.

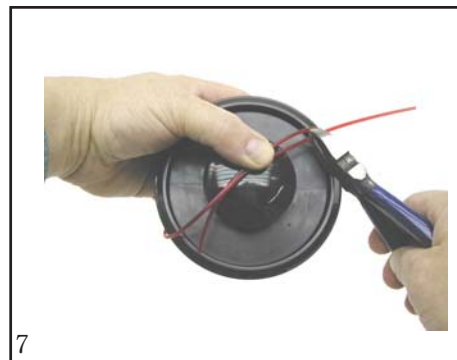
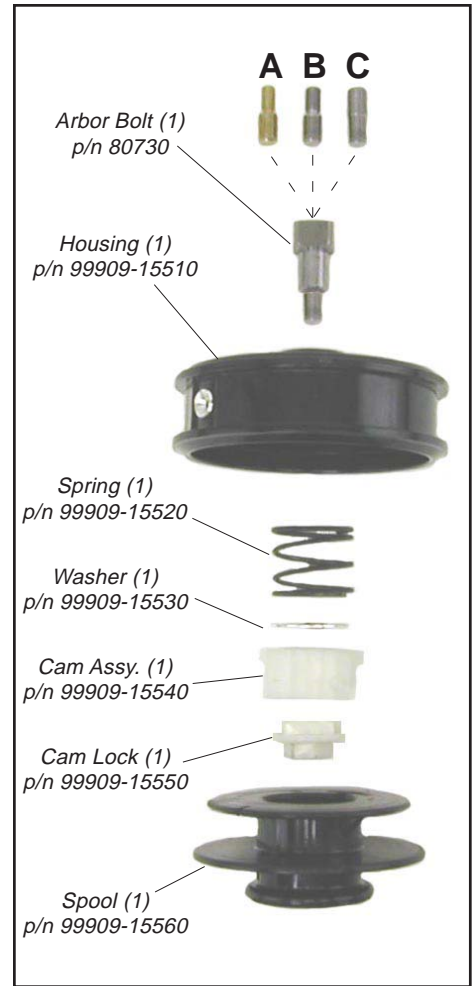
## NOTE:

Each package contains (3) steel studs. Select the correct stud for your Shin-daiwa trimmer or brushcutter model.

- A.** 7mm LH (gold p/n 80676)  
(Fits 22T, 22C, T230, T231, C230, T2500, T2500X, 65001 multipurpose tool)
- B.** 8mm LH (silver p/n 80677)  
(Fits T260, T261, C260, T270, T272X, C270, T350)
- C.** 10mm LH (silver p/n 80678)  
(Fits C350, B450, B530)

## Line capacity:

- .080" .... 40'
- .095" .... 26'
- .105" .... 20'



# UN32 Assembly and Rewinding Instructions



## WARNING!

- Do not make unauthorized modifications or alterations to this unit or its components. Non-standard parts may not operate properly with this trimmer head and may cause damage and lead to personal injury.
- Always wear eye protection such as goggles or safety glasses to shield against thrown objects.
- Reduce the risk of bystanders being struck by flying debris. Make sure no one is within 50 feet (15 meters)—that's about 16 paces—of an operating attachment.

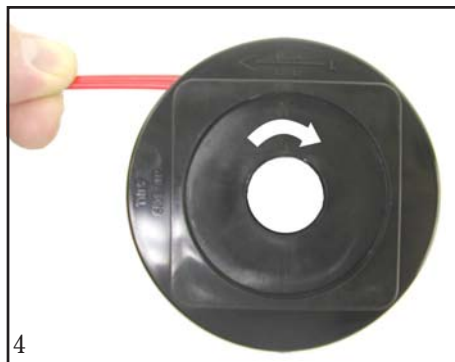
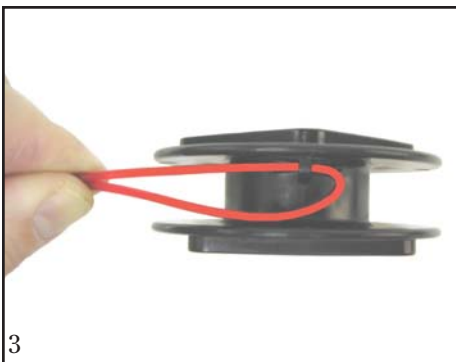
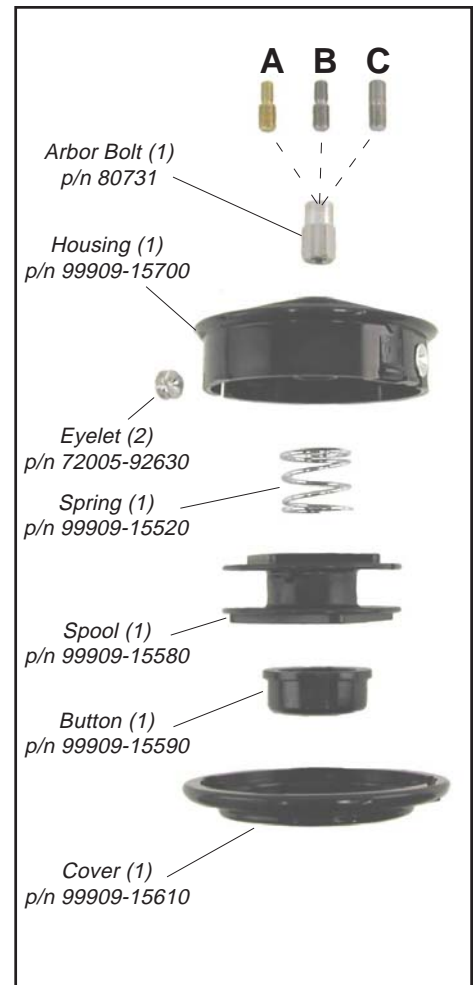
## NOTE:

Each package contains (3) steel studs. Select the correct stud for your Shin-daiwa trimmer or brushcutter model.

- A. 7mm LH (gold p/n 80676)  
(Fits 22T, 22C, T230, T231, C230, T2500, T2500X, 65001 multipurpose tool)
- B. 8mm LH (silver p/n 80677)  
(Fits T260, T261, C260, T270, T272X, C270, T350)
- C. 10mm LH (silver p/n 80678)  
(Fits C350, B450, B530)

## Line capacity:

- .080" .... 40'
- .095" .... 28'
- .105" .... 26'



# INSTALLATION INSTRUCTIONS

## Flail Trimmer Heads

### Model View



The three-blade flail head is recommended for light- to medium-duty applications. The flail head is great for clearing weeds and heavy grass.

**NOTE:** The three-blade flail head will fit straight shaft grass machines ranging from the Shindaiwa T18 through T270/C270. When installing the head onto a trimmer, notice that Holder B is included with the flail head package.

### T18, T230/C230

Item	Part No.
Spacer	22035-13230
Holder A	22035-13242
Holder B	99909-331
Bolt Guard	22035-13290
Arbor Bolt	22035-13271

### T250/C250, T260/C260

Item	Part No.
Holder A	22420-13510
Holder B	99909-331
Bolt Guard	22024-13291
Arbor Bolt	22000-13512

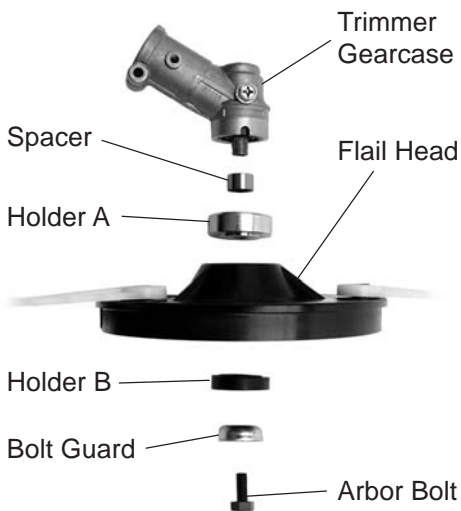
### T270/C270

Item	Part No.
Holder A	22024-13912
Holder B	99909-331
Bolt Guard	22014-13291
Arbor Bolt	22000-13512

### Replacement Blades (3 required)

Part No.	99909-148
----------	-----------

### 1



### 2



If blades become worn or damaged, they can be replaced by removing the shoulder bolt with a standard flat-blade screwdriver.

If the machine is equipped with a trimmer line head (T18/T230 models), unscrew the head (turn clockwise to remove) and remove all adapters. Replace the spacer and install all parts as shown above. Tighten the arbor bolt securely.

### 3



Insert the new blade and shoulder bolt, and tighten securely.

### PARTS LIST

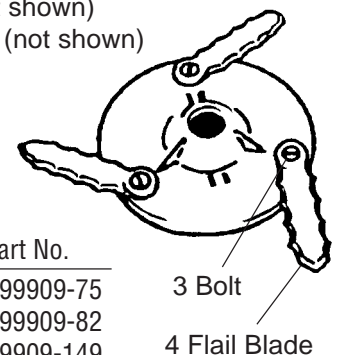
#### Flail Head

- 1 Nut (not shown)
- 2 Washer (not shown)

#### 99909-147

Item	Part No.
1	99909-75
2	99909-82
3*	99909-149
4*	99909-148

\*3 required



# INSTALLATION INSTRUCTIONS

## Super Flail Trimmer Heads

### Model View

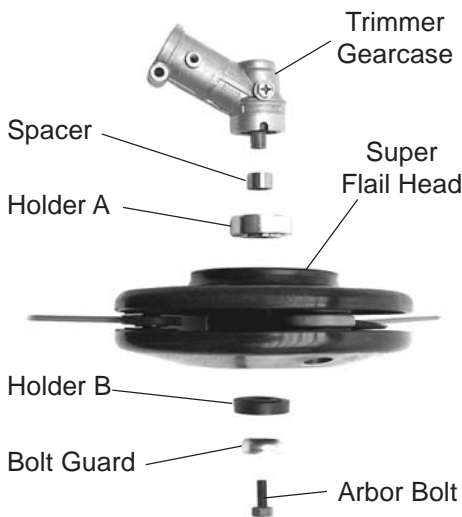


**WARNING!** NEVER USE A METAL CUTTING BLADE ON A SUPER FLAIL TRIMMER HEAD!

The three-blade super flail head is a perfect attachment for trimming grass, vegetation, and light brush. The nylon blades are supported by a metal bearing surface for superior performance and durability.

**NOTE:** The three-blade super flail head will fit straight shaft grass machines ranging from the Shindaiwa T18 through B530. When installing the head onto a trimmer, notice that Holder B is included with the flail head package (except C350 and T350 units that use a different Holder B).

1



If the machine is equipped with a trimmer line head (T18/T230 models), unscrew the head (turn clockwise to remove) and remove all adapters. Replace the spacer and install all parts as shown above. Tighten the arbor bolt securely.

**NOTE:**

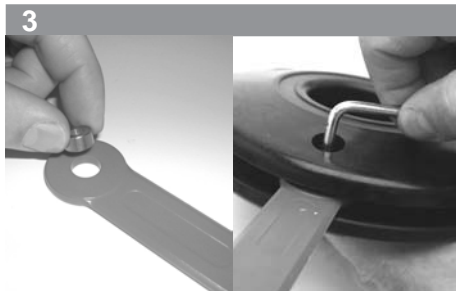
Replacement flail blades may be purchased in a pack of 3 (p/n 101058-03 or a pack of 12 (p/n 101058-12).

2



If blades become worn or damaged, they can be replaced by removing the locking bolt with a 4 mm allen wrench.

3



Push the bearing out and install it into the new blade, insert the blade and locking bolt, then tighten securely.

### T18, T230/C230

Item	Part No.
Spacer	22035-13230
Holder A	22035-13242
Holder B	99909-331
Bolt Guard	22035-13290
Arbor Bolt	22035-13271

### T250/C250-T260/C260

Item	Part No.
Holder A	22020-13510
Holder B	99909-331
Bolt Guard	22024-13291
Arbor Bolt	22000-13512

### T270/C270

Item	Part No.
Holder A	22024-13912
Holder B	99909-331
Bolt Guard	22024-13291
Arbor Bolt	22000-13512

### T350

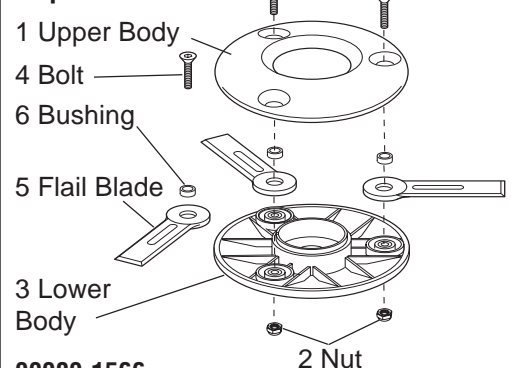
Item	Part No.
Holder A	22000-13241
Holder B	99909-331
Bolt Guard	22000-13290
Arbor Bolt	22000-13212

### C350, B450

Item	Part No.
Holder A	22015-13241
Holder B	109010
Bolt Guard	22015-13270
Arbor Bolt	22015-13261

### PARTS LIST

#### Super Flail Head



### 99909-1566

Item	Part No.	Item	Part No.
1	101017	4*	103011
2*	103012	5*	101058
3	101018	6*	105014

\*3 required



# INSTALLATION INSTRUCTIONS

## Fixed Line Trimmer Heads

### Model View



The fixed line trimmer head is a tough aluminum die-cast trimmer head that is virtually impossible to break. It accepts line up to .130 in. diameter and will perform well in heavy-duty applications.

**NOTE:** The fixed line trimmer head will fit straight shaft grass trimmers ranging from the T18 through the B450. When installing the head onto a trimmer, pay special attention to the correct use assembly components as shown to the right (supplied with the trimmer head):

### T18, T230/C230

Item	Part No.
Spacer	22035-13230
Holder A	22035-13242
Bolt Guard	22035-13290
Arbor Bolt	22035-13271

### T250/C250, T260/C260

Item	Part No.
Holder A	22024-13912
Bolt Guard	22024-13291
Arbor Bolt	22000-13512

### T270/C270

Item	Part No.
Holder A	22420-13510
Flat Washer	99909-92810
Bolt Guard	22024-13291
Arbor Bolt	22000-13512

### T350

Item	Part No.
Holder A	22000-13241
Bolt Guard	22015-13270
Arbor Bolt	22000-13512

### C350, B450

Item	Part No.
Holder A	22015-13241
Flat Washer	99909-92810
Arbor Bolt	22015-13261

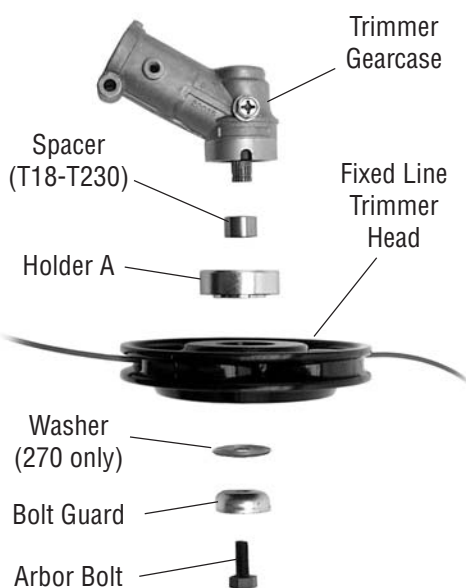
### Replacement Line

Up to .130 in. diameter. Refer to the Shindaiwa Accessory Catalog for more information.

**WARNING!**

NEVER USE WIRE ROPE TRIMMER LINE WITH A FIXED LINE TRIMMER HEAD.

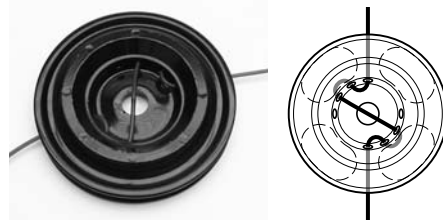
1



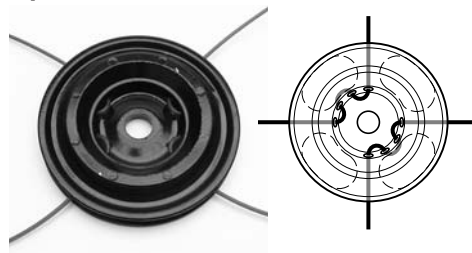
If the machine (size ranging from T18 to T230) is already equipped with a trimmer head, unthread the existing trimmer head (clockwise to remove) and remove all adapters. Replace the spacer and install all the components shown here. Tighten the arbor bolt securely.

2

### Option 1—Single Line



### Option 2—Double Line



Cut either one or two 16-inch lengths of trimmer line (depending upon how much line you want exposed for trimming) and thread it through the trimmer head as shown.

**CAUTION:** Make sure the line is trimmed evenly to avoid vibration.

3



Some applications may require that the line be trimmed to clear the cutting attachment shield, as shown.

## INSTALLATION INSTRUCTIONS

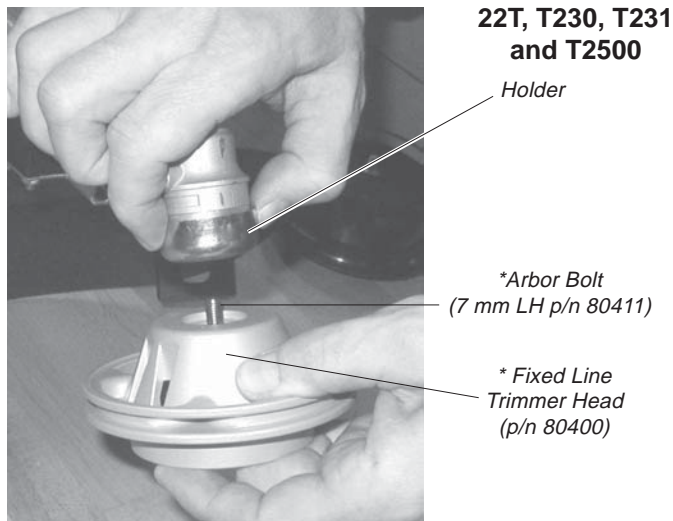
# Shindaiwa Heavy-duty Fixed-line Head

The Shindaiwa Heavy-duty Fixed-line Head package\* (p/n 80410) comes complete with the necessary hardware to fit all Shindaiwa straight shaft grass trimmers and brushcutters.

\*Package containing Fixed-line Trimmer Head, (2) arbor bolts and spacer washer.

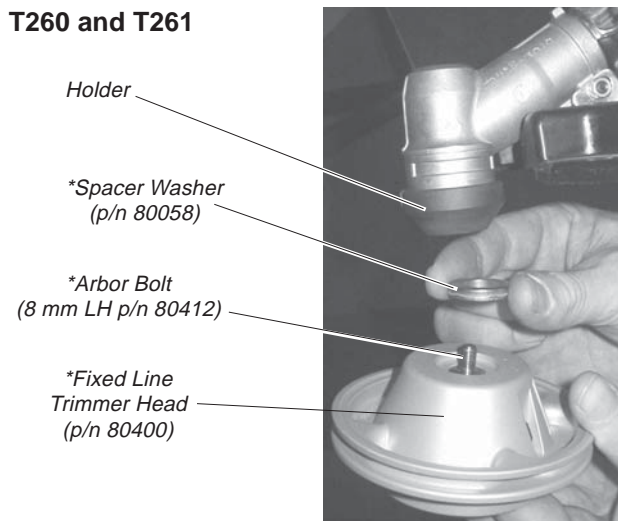
### For dedicated grass trimmer installation

First select the correct 7 mm or 8 mm arbor adapter for your Shindaiwa product. A dedicated grass trimmer is not equipped with brush blade holders. Shindaiwa models 22T, T230, T231, T2500 use the 7 mm arbor adapter while models T260 and T261 use the 8 mm arbor adapter.



On grass trimmer models 22T, T230, T231 and T2500, simply insert the arbor adapter bolt into the fixed line trimmer head and thread onto the grass trimmer.

Use the screwdriver supplied with your grass trimmer or brushcutter to securely tighten the fixed line trimmer head. Any of the following screwdrivers are suitable for the Heavy-duty Fixed-line head and can be ordered through a Shindaiwa Dealer using p/n 72518-91180, 72451-91180 or 72320-91410.



On the T260 and T261 models, the spacer washer part number 80058 must be inserted between the holder and the fixed line trimmer head as shown above.

### CAUTION!

If the special washer is not used on the T260 and T261 dedicated grass trimmer, the trimmer head will not be centered correctly against the holder causing vibration and possible failure of the trimmer head and/or gearcase.

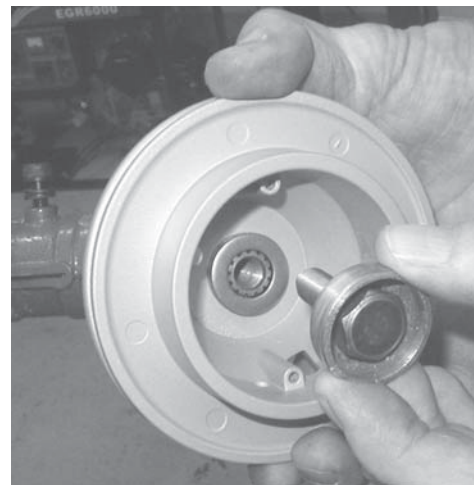
### For blade capable grass trimmer or brushcutter models



Using the 7 mm or 8 mm arbor adapter bolt, install the fixed line trimmer head as shown. Make sure that both blade holders A and B are installed with the safety clip removed, then install the fixed line trimmer head. The special washer is not required on blade capable grass trimmers and brushcutters with a 7 mm or 8 mm arbor.



For all Shindaiwa brushcutters using a 10 mm arbor (except B530), remove holder B and the safety clip. Install the fixed line trimmer head using the original 10 mm arbor bolt and bolt guard as shown.

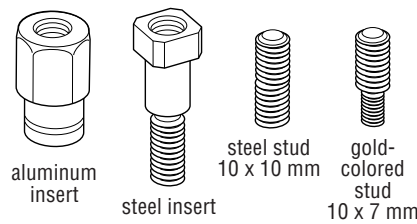


For B530 models, the special washer p/n 80058 must be installed on the inside of the fixed line trimmer head over the splines of the arbor shaft. Then install and tighten the original 10 mm arbor bolt with bolt guard.

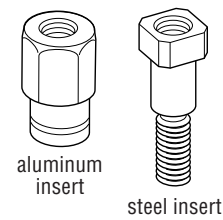
# How to Fit a Shindaiwa Trimmer Head Onto Other Brand Grass Trimmers.

Shindaiwa offers adapter kits that let you install Shindaiwa trimmer heads onto virtually every grass trimmer model on the market. Find your machine on the following chart to identify the kit you need. Kit contents are shown at the right. Each kit also includes installation instructions.

## Kit L, left-hand thread Part number 60819



## Kit R, right-hand thread Part number 60820



### MAKE AND MODEL

**ARIMATSU** AC-ZEK, ACC-15, ACC-17, ACD-17, ACD-18, ACE-30, AM-16D, AM-24D, AM-31, AM-31K, AM-40, AM-50

**ECHO** GT-140, GT-160AE, GT-200BE, GT-200CE, GT-1000, GT-1100, GT-2100, GT-2101, GT-2102, GT-2000, GT-2400, SRM-210AE, SRM-2000, SRM-2100, SRM-2110, SRM-2400, SRM-2410, SRM-2601

**ECHO** SRM-200BE, SRM-200DA, SRM-250E, SRM-300AE, SRM-300E/1, SRM-302, SRM-400AE, SRM-400BE, SRM-1500, SRM-1501, SRM-2200, SRM-2201, SRM-2300, SRM-2301, SRM-2500, SRM-2501, SRM-2502, SRM-3000, SRM-3001, SRM-3010, SRM-3800, SRM-4600, GT-1100, GT-2101

**GREEN MACHINE (HMC)** 1600, 1930, 1940, 2200, 2230, 2331, 2340, 2500LP, 2510LP, 2800, 2840, 3000LP, 3000M, 3040M, 3541, 4000LP, 4500LP

**HOFFCO** 1600, GT160T, GT210, GT225SPL, GT320B, GT320T, PC380, WT160H, WT250HT, WT250WT, WT320H, CRITTER

**HOFFCO** JP260, JP300, JP390, JP390XL, JP420, JP660

**HOMELITE** HK-24, HK-33 (up to 1986)

**HOMELITE** ST-160, ST-180, ST-210

**HUSQVARNA** 16R & 22R (up to 1986), 24R, 25R (up to 1986) 232RJ, 240RJ, 225R, 232R, 235R, 322L, LX, R, RX

**HUSQVARNA** 26RLC, 32LC, 32R, 32RL, 32RLC,

**JOHN DEERE** 100G, 110G, 200G, 210G, 250G

**JOHN DEERE** 240G, 260G, 300G, 350G, 450G

**JONSERED** LR200, LR220, LR260, LR300, LR400, LR450

**KAAZ** J40FD, JQ40, JQ50, K10, KQ30B, K40D, RQ30, U10, V15, V18, V25, V35, V40

**LAWNBOY** 1480

### KIT

L

R

L

L

R

L

L

R

L

R

R

L

L

L

L

### MAKE AND MODEL

**MARUYAMA** BC184, BC241, BC326, BC402

**McCULLOCH** 60-A, 80-A, 85-A, 90-A, EB-I, EB-II, EB-III, EB-IV

**McCULLOCH** 95-A

**OLYMPYK (OLEO-MAC)** B200, B220, B260, B300, B400, B450

**PIONEER** B180, B250

**POULAN PRO** 111, 114, 117

**REDMAX** BC220DL, BC260DL, BC340DL, BC430DWM, BC440DWM

**SACHS-DOLMAR** BC-210, BC-212, LT-16, LT-210

**SEARS** 7934, 79534, 79551, 79552, 79556, 79611, 79612, 79613, 79614, 79616, 79621, 99512, 99515, 99516

**SNAPPER** 210SS, 211SST, 212CST, 214DCST, 215ORI, 215SST, 240SST, 245ORT, 245SST, 310, 311S, 410, 411SST, 415ORT

**SOLO** 014, 100, 400

**STIHL** FS-50E, FS-51AVE, FS-55, FS-60, FS-61E, FS-65AVE, FS-80E, FS-85, FS-90AVE

**TANAKA** AST 7000, TBC-210, TBC-215, TBC-220, TBC-232, TBC-240, TBC-262, TBC-265, TBC-322, TBC-325, TBC-355, TBC-373, TBC-422, TBC-425, TBC-501, TBC-4500, SUM-301, SUM-321

**TANAKA** TBC-200

**TORO** TC600, TC650, TC700, TC800, TC2100, TC3000, TC4000, TC5000, 51628, 51641, 51650, 51660

**WEEDEATER** 1400, 1600, 1700, 3500, GT115, GT117, GT118, GT118B, YardPro 115, YardPro 120, YardPro 130A, XR20, XR30, XR50, XR70, XR75, XR80, XR85, XT20, XT50, XT85

This chart is based on information that was available at the time of publication.

### KIT

L

R

L

L

R

L

L

L

L

R

L

R



Always make sure attachments are mounted according to the manufacturer's instructions.



Never operate a grass trimmer with a blade-type attachment. A blade-equipped machine must be fitted with a harness and handlebar or other approved barrier device.



# shindaiwa

**Shindaiwa Inc.**

11975 SW Herman Road

Tualatin, OR 97062

Phone 503 692-3070

FAX 503 692-6696

[www.shindaiwa.com](http://www.shindaiwa.com)

**First To Start. Last To Quit.**

Printed in U.S.A. Item 80792 6/03  
Specifications subject to change without notice.

## Free Manuals Download Website

<http://myh66.com>

<http://usermanuals.us>

<http://www.somanuals.com>

<http://www.4manuals.cc>

<http://www.manual-lib.com>

<http://www.404manual.com>

<http://www.luxmanual.com>

<http://aubethermostatmanual.com>

Golf course search by state

<http://golfingnear.com>

Email search by domain

<http://emailbydomain.com>

Auto manuals search

<http://auto.somanuals.com>

TV manuals search

<http://tv.somanuals.com>