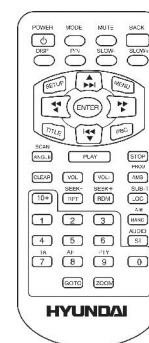
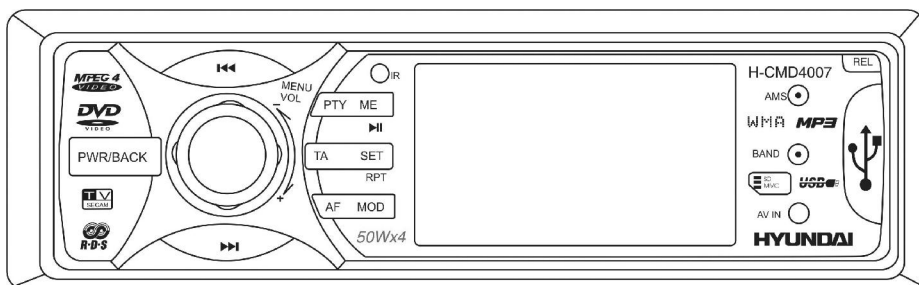


# EXCELLENCE

by **HYUNDAI**

## H-CMD4007



**MULTIMEDIA DVD/CD/MP3 RECEIVER WITH BUILT-IN 3" TFT DISPLAY AND TV TUNER**  
Instruction manual

**МУЛЬТИМЕДИЙНЫЙ DVD/CD/MP3 РЕСИВЕР СО ВСТРОЕННЫМ 3" TFT ДИСПЛЕЕМ И ТВ-ТЮНЕРОМ**  
Руководство по эксплуатации

## Dear customer!

Thank you for purchasing our product. For safety, it is strongly recommended to read this manual carefully before connecting, operating and/or adjusting the product and keep the manual for reference in the future.

## Table of contents

---

Table of contents .....	2
Important safeguards .....	3
Accessories.....	4
Installation/connection.....	5
Controls.....	7
General operations.....	11
Digital tuner operations .....	13
Disc/USB/MMC/SD operations .....	16
MP3 overview .....	24
TV tuner operations .....	26
System setup.....	27
Handling discs .....	31
Cleaning .....	31
Troubleshooting guide .....	32
Specification.....	33

## Important safeguards

---

- Using the device at temperature below -10°C may cause the breakage of the device. Before using please heat up the passenger compartment to the recommended temperature!
- Disconnect the vehicle's negative battery terminal while mounting and connecting the unit.
- When replacing the fuse, be sure to use one with an identical amperage rating. Using a fuse with a higher amperage rating may cause serious damage to the unit.
- Do not attempt to disassemble the unit. Laser beams from the optical pickup are dangerous to the eyes.
- Do not use the unit in places where it can be exposed to water, moisture and dust.
- Make sure that pins or other foreign objects do not get inside the unit; they may cause malfunctions, or create safety hazards such as electrical shock or laser beam exposure.
- If you have parked the car for a long time in hot or cold weather, wait until the temperature in the car becomes normal before operating the unit.
- Do not open covers and do not repair yourself. Consult the dealer or an experienced technician for help.
- Make sure you disconnect the power supply and aerial if you will not be using the system for a long period or during a thunderstorm.
- Make sure you disconnect the power supply if the system appears to be working incorrectly, is making an unusual sound, has a strange smell, has smoke emitting from it or liquids have got inside it. Have a qualified technician check the system.
- The unit is designed for negative terminal of the battery, which is connected to the vehicle metal. Please confirm it before installation.
- Do not allow the speaker wires to be shorted together when the unit is switched on. Otherwise it may overload or burn out the power amplifier.

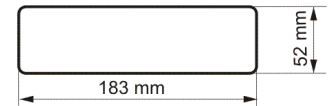
## Accessories

---

Mounting Bracket (Half Sleeve)	1 pc
Mounting Screw M5	1 pc
Rubber	1 pc
Removable Trim Ring equipped on the unit	1 pc
Remote Control	1 pc
Release key	2 pcs
Screws	4 pcs
Mounting strap	1 pc
USB cable	1 pc
Protective case	1 pc
Customer information	1 pc
Warranty card	1 pc
Instruction manual	1 pc

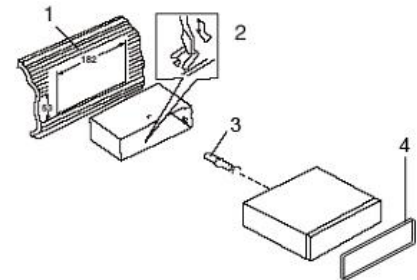
# Installation/connection

This unit can be installed in any dashboard having an opening as shown on the picture. The dashboard should be ~ 4.5 – 5.5 mm thick in order to be able to support the unit. First complete the electrical connections, and then check them for correctness.

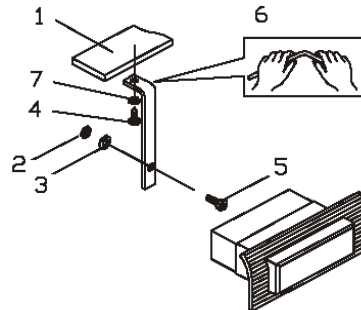


## Installation opening

1. Insert the unit holder into the dashboard.
2. Select the appropriate tabs and bend them the tabs 90 degrees to secure the holder in place.
3. Secure the rear of the unit. Fix the rear of the unit to the car body by rubber cushion.



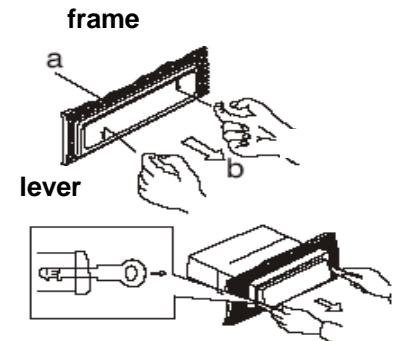
1. Dashboard
2. Nut (5 mm)
3. Spring washer
4. Screw (5 x 25 mm)
5. Screw
6. Strap
7. Plain washer



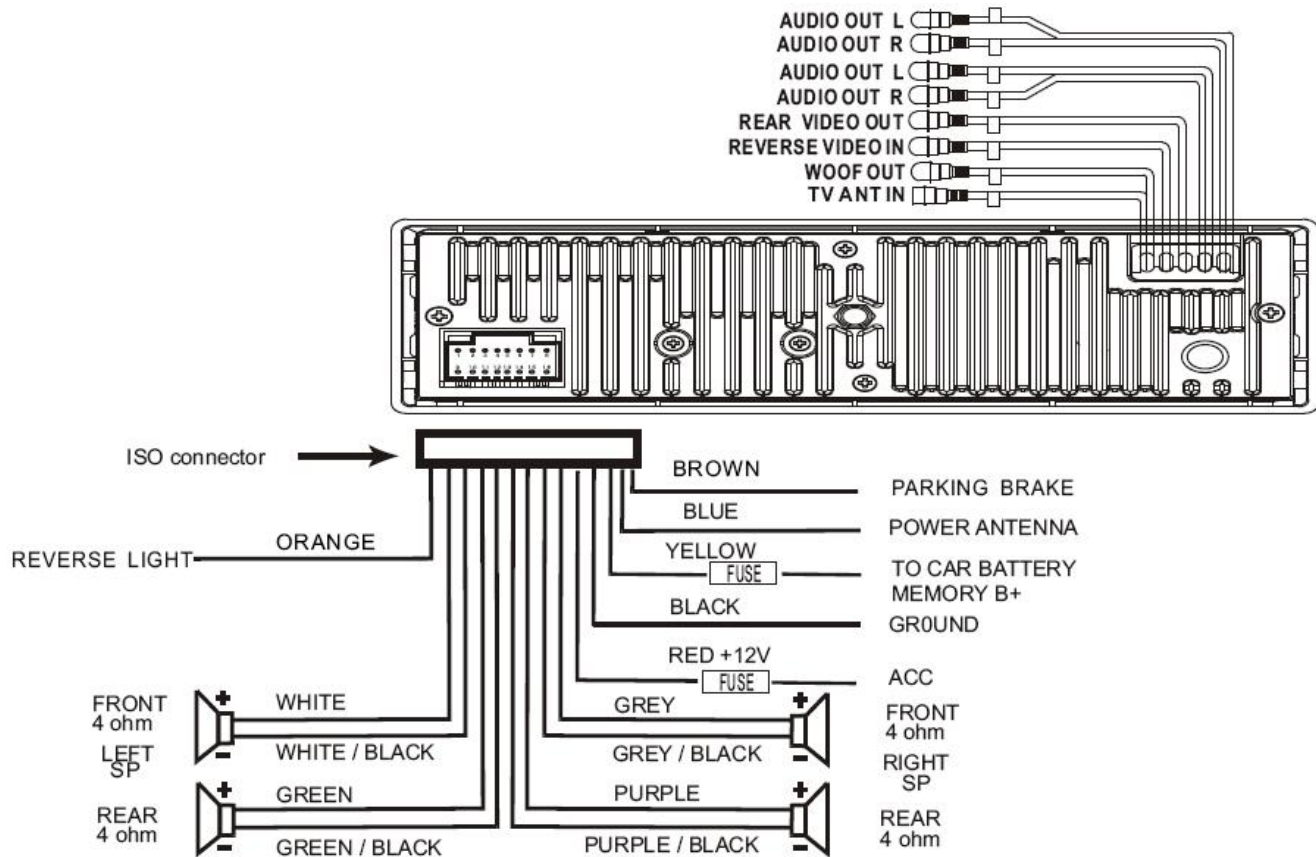
4. Insert frame.

## Removing the unit

Insert fingers into the groove in the front of frame and pull out to remove the frame. (When reattaching the frame, point the side with a groove down wards and attach it.). Insert the levers supplied with the unit into the grooves at both sides of the unit as shown in figure until they click. Pulling the levers makes it possible to remove the unit from the dashboard.



## Electrical connection

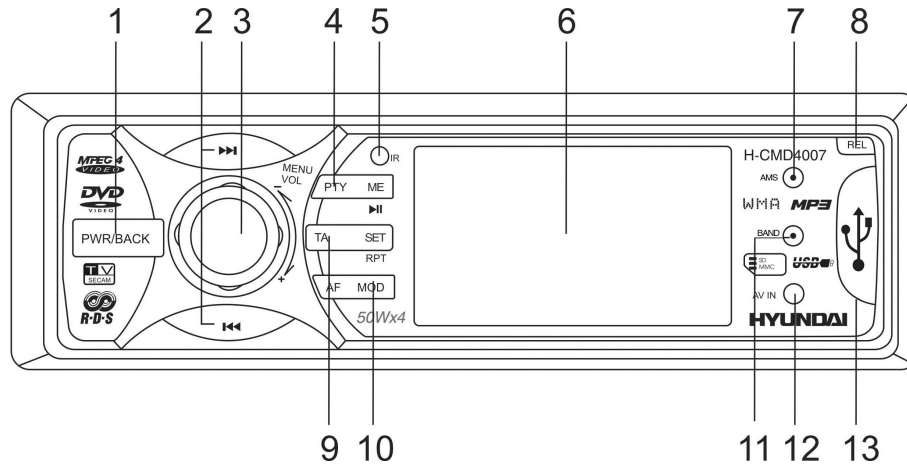


**Caution:** Do not interchange the connection of the wiring!

For some car models you may need to modify wiring of the supplied power cord. Contact your authorized car dealer before installing this unit.

# Controls

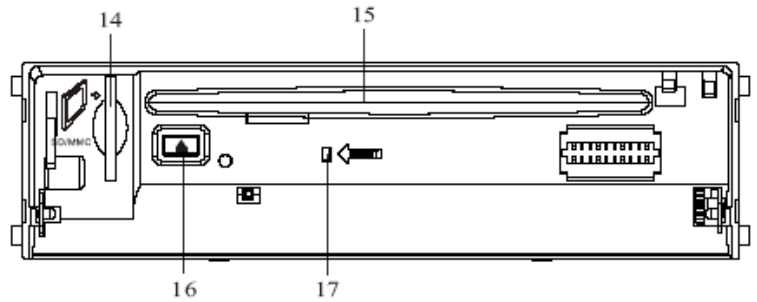
## Front panel



1. PWR/BACK button
2. ⏩/⏪ buttons
3. VOL knob/MENU button
4. PTY/ME/PLAY/PAUSE button
5. IR window
6. TFT display
7. AMS button
8. REL button
9. TA/SET/RPT button
10. AF / MOD button
11. BAND button
12. AV IN button
13. USB slot

## Inner panel

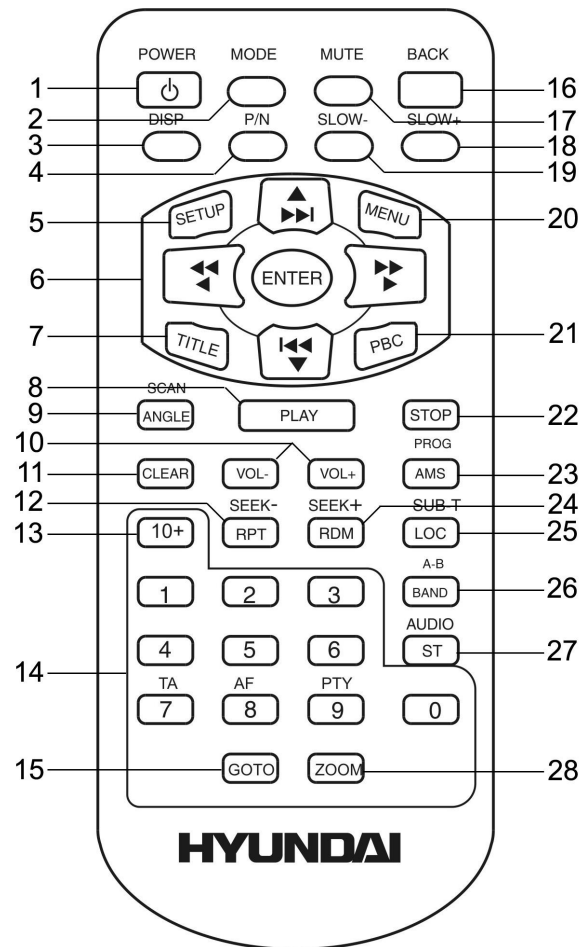
- 14. SD/MMC slot
- 15. Disc loading slot
- 16. EJECT button
- 17. RESET button



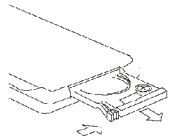


## Remote control

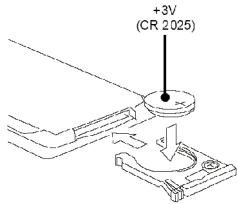
1. POWER button
2. MODE button
3. DISP button
4. P/N button
5. SETUP button
6. ◀/▶, ◀◀/▶▶, ▲/▼/◀/▶, ENTER buttons
7. TITLE button
8. PLAY button
9. ANGLE/SCAN button
10. VOL-/VOL+ buttons
11. CLEAR button
12. RPT/SEEK- button
13. 10+ button
14. (0-9) number buttons
15. GOTO button
16. BACK button
17. MUTE button
18. SLOW+ button
19. SLOW-
20. MENU button
21. PBC button
22. STOP button
23. AMS/PROG button
24. RDM/SEEK+ button
25. LOC/SUB-T button
26. BAND/A-B button
27. ST/AUDIO button
28. ZOOM button



## Changing the battery



1. Pull out the battery tray.



2. Insert the 1 x lithium battery, type CR 2025 3V battery with the stamped (+) mark facing upward. Insert the battery tray into the remote control.

### Warning:

- Store the battery where children cannot reach. If a child accidentally swallows the battery, consult a doctor immediately.
- Do not recharge, short, disassemble or heat the battery or dispose it in a fire.
- Do not expose or bring into contact the battery with other metallic materials. Doing this may cause the battery to give off heat, crack or start a fire.
- When throwing away or saving the battery, wrap it in tape and insulate; otherwise, the battery may give off heat, crack or start a fire.

# General operations

---

## Reset the unit

Operating the unit for the first time or after replacing the car battery, you must reset the unit.

Press REL button to remove the detachable front panel. Using a ballpoint pen or other pointed object, press RESET button to complete the initialization procedure.

## Power on/off

Press PWR/BACK button on the panel or POWER button on the RC to turn the unit on. Press it for a long time on the panel or press shortly on the RC to turn the unit off.

**Note:** After the unit is off, the volume level and radio current settings will be memorized, and when you turn the unit on it will resume the stored status that you set.

## Volume control

Rotate VOL knob on the panel clockwise or press VOL+ button on the RC to increase the volume level.

Rotate VOL knob on the panel anticlockwise or press VOL- button on the RC to decrease the volume level.

## Mute function

Press MUTE button to mute volume control. Press it again to resume the volume.

## Mode selecting

Press MODE button to select the mode: RADIO => DISC (if the disc is inside the unit) => USB (if the USB driver is inside the unit) => SD (if the SD/MMC card is inside the unit) => TV =>AV.

## Setting the audio and video characteristics

- Press MENU button on the panel or on the RC to enter the sound and video adjustment menu.

- Press ◀/▶ buttons on the panel or press the cursor ◀/▶/▲/▼ buttons on the RC to select the submenu: AUDIO => PICTURE => SETUP.
- Press MENU button on the panel or ENTER button on the RC to enter the submenu selected.
- Press ◀/▶ buttons on the panel or press the cursor ◀/▶/▲/▼ buttons on the RC to select the setting:  
**For AUDIO submenu:** VOLUME => BASS => TREBLE => BALANCE => FADER => EQ => LOUD => SUB.W.  
**For PICTURE submenu:** BRIGHT => CONTRAST => COLOR => TINT => DEFAULT.  
**For SETUP submenu:** SYSTEM => CLOCK.
- When the setting is selected press MENU button on the panel to activate the setting, rotate the VOL knob to adjust the setting. Or press the ◀/▶ buttons on the RC to adjust the setting.
- Wait for several seconds or press ENTER button on the RC, the setting will be saved automatically.

**Note:**

- If turning off the power all the settings of each mode will be saved.
- If turning off the ACC power or reset the unit all the settings will become as they were set on the plant.
- If you don't adjust a setting within several seconds after selecting the desired setting, the unit will automatically return to the current mode being displayed.

**“Back” function**

To return to previous menu window press BACK button on the RC or PWR/BACK button on the panel.

**Clock setting**

**Displaying the time:** Press MENU button, then select SETUP => SYSTEM menu. In TIME item, rotate VOL knob to select ON to display the time. In TIME.M item, rotate VOL knob to select the format of time displayed (12/24).

**Adjusting the time:** Press MENU button, then select SETUP => SYSTEM menu. In CLOCK item, press ◀/▶ buttons on the panel or press the cursor ◀/▶ buttons on the RC to select minutes or hours to adjust, rotate VOL knob or press ▲/▼ buttons on the RC to adjust minutes and hours.

# Digital tuner operations

---

**Note:** RDS (Radio Data System) service availability varies with areas. Please understand if RDS service is not available in your area, the following service is not available, either.

## Band selection

Press BAND/A-B button on the RC or BAND button on the panel to select a band: FM1, FM2, FM3, MW1 (AM1), MW2 (AM2). Display will show the wave band and frequency.

## Automatic/ Manual tuning

**Automatic tuning:** Press ◀▶ buttons to start auto searching the station.

**Manual tuning:** Press and hold for 3 seconds ◀▶ buttons, press repeatedly ◀▶ buttons to start manual searching the station. When ▶ button is pressed, the station is sought in the direction of higher frequencies. If ◀ button is pressed, the station is sought in the direction of lower frequencies.

## Manual store

You can store up to a total of 30 radio stations in the memory (18 FM, 12 MW (AM)), manually or automatically.

- To store a station manually:
  - Select a band (if needed)
  - Select a station by ◀▶.
  - Press and hold for 2 seconds a number button (1-6), under which you want to store the station.
- To store a station automatically:
  - Select a band (if needed)
  - Press and hold AMS button on the unit or AMS/PROG button on the RC for 2 seconds. The stations with good reception are stored automatically.

**Note:** Press repeatedly ME/PLAY/PAUSE button to change sequence number of stored station.

- To recall a station:
  - Select a band (if needed)
  - Press a number button (1-6) briefly to recall a stored station.

Or:

- Select a band (if needed)
- Press SET/RPT button to select the stored station.

### **Preset scan function**

Press AMS button on the panel or PROG/AMS button on the RC to scan all preset stations in the memory of the current band and stay on each memory stations for several seconds. To stop preset scan, press this button again.

### **Local radio station search**

Press LOC/SUB-T button on the RC to turn the LOCAL function ON or OFF. When the LOCAL function is on the local stations (stations with weak radio signal) can be played. When the LOCAL function is off both local and distant stations (stations with strong radio signal) can be played. Press the button again to turn it of.

### **Stereo/Mono reception**

Press ST/AUDIO button on the RC to select STEREO or MONO mode.

### **RDS function**

There are the PI, PS, TP, PTY, TA, AF.

PI: Program Identification Code – for identifying code.

PS: Program Service Name Broadcast – station name data expressed in alphanumerically character.

TP: Traffic Program Identification – for traffic information broadcasting station.

TA: Traffic Announcement Identification – showing traffic information is being transmitted or not.

AF: Alternative frequencies – frequency list of broadcasting station transmitting the same program.

### **AF function**

Press AF button to switch on/off mode. Symbol “AF” will appear on the display.

**Note:** The tuner will return to Alternative Frequencies whenever the reception signals getting worse.

“Alarm” will be displayed when an emergency broadcasting is received. Meanwhile sound output level will be adjusted to the preset output level automatically when the volume control is set at minimum.

### **PTY function**

1. Press PTY button to enter PTY mode.
2. Rotate VOL knob or press ▲/▼ buttons on the RC to select the music program type or speech type:

PTY Music group	PTY Speech group
POP M, ROCK M	NEWS, AFFAIRS, INFO
EAST M, LIGHT M	SPORT, EDUCATE, DRAMA
CLASSICS, OTHER M	CULTURE, SCIENCE, DRAMA
JAZZ M, COUNTRY M	WEATHER, FINANCE, CHILDREN
NATION M, OLDIES M	SOCIAL RELIGION, PHONE IN
FOLK M	TRAVEL, LEISURE, DOCUMENT

3. When PTY is selected the radio starts to search corresponding PTY information and stops of the corresponding PTY information is detected. If corresponding PTY information is not found, normal radio reception is resumed.

### **TA function**

Press TA button to select the TA mode on/off. Traffic announcement interrupts CD play or radio listening when broadcast. To interrupt traffic announcement press TA button short without switching off the TA mode. The set will return to the previous operating mode.

# **Disc/USB/MMC/SD operations**

---

## **Disc glossary**

### **PBC (PlayBack Control)**

PBC is a menu recorded on the disc with SVCD or VCD2.0 format. For the discs contained PBC, it can playback interactive software with the menu displayed on TV. And if the disc contains still images, it can playback high definition of still image.

### **Title**

The title is the important part of DVD disc. The memory volume of the disc is rather big, that makes possible to record several films on one disc. For example, if a disc contains three films, they may be divided into Title 1, Title 2 and Title 3. You can easy use the functions of looking-for.

### **Chapter**

A title can be divided into several blocks, so that every block can be operated as a unit, the unit is called chapter. The chapter contains a unit at least.

### **Track**

It is the biggest component of VCD. Generally, every song of karaoke disc is a track.



## **Discs for playback**

- This unit can play disc types: DVD/DVD±R/DVD±RW/CD/CD-R/CD-RW.
- Compatible with formats: DVD/SVCD/VCD/HDCD/MP3/MP4/WMA/CDDA/Picture-CD/JPEG/MPEG4.
- The following file types are supported:
  - Audio files: MP3 (\*.mp3)
    - WMA (\*.wma)
  - Video files: MP4 (\*.avi, DIVX3.11/4.0/5.0/6.0 and XVID)
    - MPEG 2(\*.vob)
    - MPEG 1(\*.dat)
  - Picture file: JPEG (\*.jpg)
- ISO 9660 or ISO 9660 +Joliet format - Max. 30 characters
- Max. Track number is 448
- Max. nested directory is 8 levels
- The max. album number is 99
- The max. length of each track is 99 minutes 59 seconds
- Supported sampling frequency for MP3 disc: 8 KHz – 48 KHz (44.1 KHz preferably)
- Supported bit-rates of MP3 disc are: 32 - 320 kbps (128 kbps preferably).
- Following formats are NOT supported \*.ACC, \*.DLF, \*.M3U, \*.PLS, MP3 PRO, files with DRM.
- Open session discs are NOT supported.

## **Loading a disc**

1. Turn the power on.
2. Press REL button on the panel to open the front panel.
3. Insert the disc with the printed side facing upward into the slot.
4. Close the front panel.
5. Press MODE button to select the DVD mode. The monitor will show the disc content. The DVD disc will play automatically. When the MP3 disc is loaded, press PLAY to start the playback.
6. To eject the disc, first press REL button to open the front panel.
7. Press EJECT button on the base to eject the disc.
8. Close the front panel.

**Note:** If a disc is left in the ejected position for several seconds, the disc is automatically reloaded. If you force a disc into before auto reloading, this can damage disc.

## **Inserting the SD/MMC card and USB device**

Insert an SD/MMC card or USB device into SD/MMC compartment or USB socket respectively. Then the playing mode will be changed into SD/MMC or USB mode automatically. The first card/USB device track playback will start.

When SD/MMC card and USB device are both inserted into their compartment or socket, the playing mode will be changed into the mode of the later one. You can select the source using MODE button on the RC or on the panel.

Once the SD card could not eject automatically after pressing, just take it out manually.

**Note:** This unit supports USB drivers and memory cards with up to 1 Gb.

## **Playing/pausing**

To ensure good system performance, wait until the unit finishes reading the disc information before proceeding.

After inserting the disc, playback will start automatically. Or press ME/PLAY/PAUSE button on the panel or PLAY button on the RC to start playback. Press ME/PLAY/PAUSE button on the panel to go into pause mode. In pause mode press it again or press PLAY button on the RC to resume the playback.

### **Stop playback**

During playback press STOP button on the RC to stop playback. Press ME/PLAY/PAUSE button on the panel or PLAY button on the RC to start playback for the place where it was stopped. Press STOP again to finally stop playback.

### **Playing the previous/next track**

During playback press ►► button to start next track/chapter/title playback. Press ◀◀ button to move back to the beginning of the current track. Press it twice to move to the beginning of the previous track.

### **Fast-forward/ fast-backward playing**

Press and hold ◀◀/►► buttons on the panel or press ◀◀/►► buttons on the RC to select the speed of fast playing in backward or forward direction.

### **Slow playback**

During DVD/VCD playback press the SLOW-/+ buttons on the RC repeatedly to start slow playback. The speed will change the following way: 1/2 => 1/4 => 1/8 => 1/16.

**Note:** During the disc playback, when slow playback gets to the beginning of the playing another track, it resumes normal playback.

### **Repeat playback**

During playback press the SEEK-/RPT button on the RC or SET/RPT on the panel to select the repeat mode. For various types of discs repeat playback of track/chapter/title/disc can be selected.

### **Repeat A-B function (for DVD/VCD discs)**

1. During playback, press the BAND/A-B button on the RC at the starting point of section you want to repeat.
2. Press the BAND/A-B button again at the ending point of the section you want to repeat. Section A-B repeating starts.
3. Press the button again to cancel the A-B repeat function.

### **Random playback (for CD/VCD/MP3 only)**

During disc playback press the RDM/SEEK+ button on the RC to select start random playback. Press again to cancel.

### **TV type select**

Press the P/N button on the RC to select the TV type: PAL, NTSC, MULTI.

### **Changing angle (for DVD only)**

If DVD disc supports multi-angle playback, press ANGLE/SCAN button on the RC to playback images at different camera angles. If discs doesn't support multi-angle playback, this function will not work.

### **Selecting audio languages (for DVD only)**

During DVD disc playback press ST/AUDIO button on the RC repeatedly to select the audio language to listen (if the disc supports multi-language mode).

### **Selecting the channel (for VCD only)**

During VCD disc playback press ST/AUDIO button on the RC repeatedly to select the channel: Mono left => Mono right => Mix mono => Stereo.

### **Selecting subtitle language (for DVD only)**

Subtitle language is in disc initiation setting during playback. Press LOC/SUB-T button on the RC repeatedly to switch among disc-supported languages.

### **Changing picture size (for DVD/VCD)**

During playback press ZOOM button on the RC. The picture will be zoomed accordingly: 2X, 3X, 4X, 1/2X, 1/3X, 1/4X, normal size. In enlarged picture mode press cursor buttons of the RC to move the picture.

### **Menu navigation (for DVD only)**

Title playing:

- Press TITLE button on the RC to activate the disc title list on the screen.
- Press ▲/▼ buttons to select the desired title or press number buttons to insert the needed number directly.
- Press ENTER button to confirm the selected item and start playing.

### **PBC (Playback Control) function (for VCD only)**

If you insert a VCD with PBC function, playback starts from the beginning of the 1st track automatically.

1. Press PBC button on the RC to activate PBC menu on screen during playback.
2. If the menu consists of a list of titles, you can select a desired one using ▲/▼/◀/▶ buttons or number buttons.
3. The VCD starts playing the selected title automatically, or you can press ENTER button to confirm the selected track for playback.
4. Press STOP button to return to the menu.
5. Press PBC button again to exit the menu.

### **Program playing (for DVD/VCD)**

1. In stop mode press AMS/PROG button on the RC to open the program menu.

2. Insert the track/chapter number to be played first into the first position. Press ENTER button to confirm.
3. Insert the track/chapter number to be played second into the second position. Press ENTER button to confirm.
4. Repeat step 2 until all desired tracks/chapters are inserted.
5. Press ▲/▼ buttons to select PLAY – to play the program.

### **GOTO function (for DVD/VCD discs)**

You can go to the desired track/chapter time point directly.

1. During the disc playback press GOTO button on the RC to enter the search menu.
2. Use cursor ◀ / ▶ / ▲ / ▼ buttons to choose the desired option of the menu, press ENTER button and use the number buttons to insert the needed track/chapter time.
3. Press GOTO to go to the selected item.
4. In **time search** mode press the number buttons to enter the time you want to start playback from (hh:mm:ss). For example: to enter time 18:20:00, press 1 => 8 => 2 => 0 => 0 => 0. Press ENTER button to start playback.

For **Title/Chapter search**: press number buttons to enter the desired number of title and chapter. For example, to enter the number of title/chapter 20-/8--, press 2 => 0 => ▶ => 8. Press ENTER button to start playback.

For **Track search**: press the number buttons to enter the track number. For example, to enter the number of track 13, press 1 => 3. Press ENTER button to start playback.

### **On screen display**

In DVD/VCD mode, press DISP button on the RC, the display shows playback information, such as title elapsed time, title remaining time, chapter elapsed time, chapter remaining time, single elapsed time, single remaining time, total remaining time.

### **Auto switch to video**

When playing DVD in driving car, there is “DVD: PARKING BRAKE” display in TFT. This message warns you that you must stop the car and activate the hand break in order to access the video mode.

### **Auto switch when reversing the car**

When reversing the car, the screen of the unit will show reversing view automatically if a reversing camera is connected, and the sound will be shut off.

### **MP3 folder playback**

If the inserted MP3 disc, card or USB device contains folders, during playback press PROG/AMS button on the RC or AMS button on the unit, all folders are displayed. Press ▲/▼ buttons to select the required folder upwards or downwards, then press ENTER button to start play.

If the folders are too much and cannot be displayed in one page, you can press ◀/▶ buttons to turn pages backwards or forwards.

# MP3 overview

---

## Notes on MP3:

- MP3 is short for MPEG Audio Layer 3 and refers to an audio compression technology standard.
- This product allows playback of MP3 files on CD-ROM, CD-R or CD-RW discs.
- The unit can read MP3 files written in the format compliant with ISO 9660. However it does not support the MP3 data written by the method of packet write.
- The unit can not read an MP3 file that has a file extension other than “.mp3”.
- If you play a non- MP3 file that has the “.mp3” extension, you may hear some noise.
- In this manual, we refer to what are called “MP3 file” and “folder” in PC terminology as “track” and “album”, respectively.
- Maximum number of directory level is 8, including the root directory. Maximum number of files and folders per disc is 448.
- The unit may not play tracks in the order of Track numbers.
- The unit plays only the audio tracks if a disc contains both audio tracks and MP3 files.
- When playing a disc of 8 kbps or “VBR”, the elapsed playing time in the display window will not be correct and also the intro play may not function properly. “VBR”: Variable Bit Rate.

## Notes on creating your own CD-R or CD-RW containing MP3 files:

- To enjoy high quality sound, we recommend converting to MP3 files with a sampling frequency of 44.1 kHz and a fixed bit rate of 128 kbps.
- DO NOT store more than 448 MP3 files per disc.
- For ISO 9660 - compliant format, the maximum allowable depth of nested folders is 8, including the root directory (folder).
- When CD-R disc is used, playback is possible only for discs, which have been finalized.



- Make sure that when MP3 CD-R or CD-RW is burned that it is formatted as a data disc and NOT as an audio disc.
- You should not write non-MP3 files or unneeded folders along with MP3 files on the disc otherwise it takes a long time until the unit starts to play MP3 files.
- With some CD-R or CD-RW media, data may not be properly written depending on its manufacturing quality. In this case, data may not be reproduced correctly. High quality CD-R or CD-RW disc is recommended.
- Up to 16 characters are displayed for the name of an Album or a Track. ID3TAG version 1.x is required.
- Note that the unit may not play Tracks in the order that you wrote them to the disc.

# TV tuner operations

---

## Selecting mode

Press MOD button on the unit or press MODE button on the RC to select a source of TV.

## Searching channel

Press AMS button, "SCAN READY" is displayed; then press ◀◀ button to search and store channel automatically through the frequency of VHF L and UHF. Press ▶▶ button to stop searching.

**Note:** Press ANGLE/SCAN button, then press RDM/SEEK+ button on the RC to perform the same operation.

## Selecting channel

1. Press ◀/▶ buttons on the unit or press RPT/SEEK- or RDM/SEEK+ buttons on the RC to select previous or next stored channel.
2. You can press 1-9 number buttons on the RC to select a preset channel. Continuously press number button to select corresponding preset channel which sequence number is over 10.

# System setup

---

1. Press SETUP button on the RC to display the setup screen.
2. Use ◀/▶ cursor buttons to select the desired menu: General setup, Audio setup, Preference setup, Password setup, Exit the menu.
3. Press ▼ button to enter the menu.
4. Use ▲/▼ cursor buttons to select the desired setting.
5. Press ▶ button to enter the setting adjustment window.
6. Press ▲/▼ cursor buttons to select the option of the setting and press ENTER to confirm it.
7. Press ◀ cursor button to return to the menu list.
8. To exit Setup menu press SETUP button.

## General setup page

### • TV DISPLAY

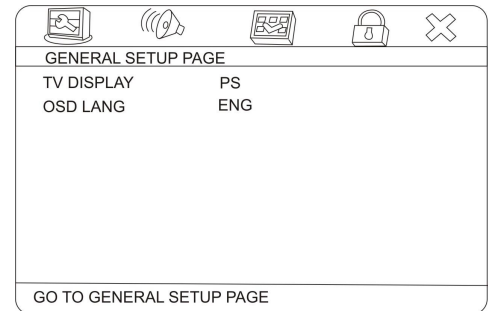
**Normal/PS:** When the unit connects to the normal TV set, the wide-screen image shows on the full screen, but some part is cut off.

**Normal/LB:** When the unit connects to the normal TV set, the wide-screen image shows and black bars appear on the top and bottom of screen.

**Wide:** Use this item when the unit is connected with the wide screen TV set.

**Wide squeeze:** Use this item to widen the image to TV screen width.

**Note:** No matter which display format is selected a picture recorded in standard 4:3 format always displays in the 4:3 aspect ratio. The display format of DVD titles may vary; refer to the information that accompanies your specific DVD title. If the DVD title is recorded in 16:9 wide display format while the TV is a standard 4:3 screen, horizontal compression of the image will result.



Some DVD titles may be recorded in special formats. In such cases, the DVD titles will always appear on the screen in their original format, regardless of which TV display selected format.

- **OSD LANGUAGE**

Select on-screen display language.

### Audio setup page

You can set up the Speakers and SPDIF function.

- **SPEAKER SETUP**

- **DOWNMIX**

**LT/RT:** The audio out is Left and Right channels format even if the original sound is 5.1 CH format.

**Stereo:** The audio out format is stereo even if the original sound is 5.1 CH format.

**V surr:** The audio out is virtual surround sounds (only for 5.1 CH player).

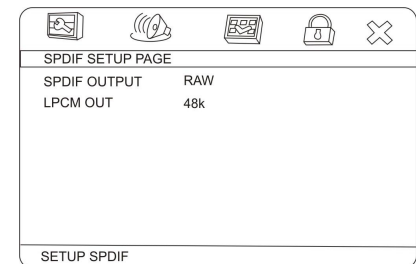
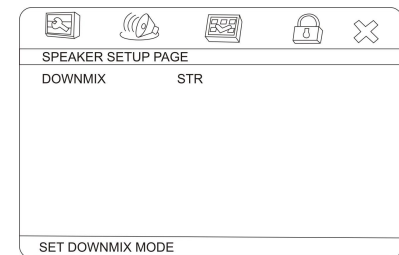
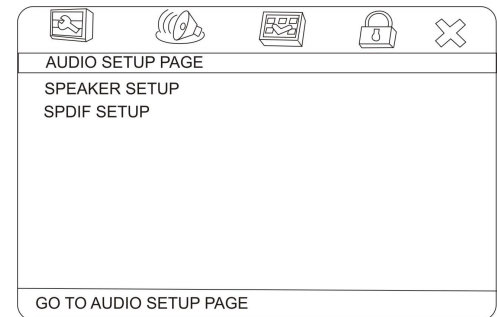
- **SPDIF SETUP**

- **SPDIF OUTPUT**

**SPDIF OFF:** no digital signal out (optical or coaxial output off), only analog audio output.

**SPDIF/RAW:** digital signal output in the original format recorded in the disc.

**SPDIF/PCM:** digital signal output in the decoded PCM form.



**Note:** The DVD player simultaneously outputs a Dolby Digital signal and an analog signal, but you have to select the Analog output if you want to take advantage of the Karaoke effects.

## - LPCM OUT

### Preference page

- **TV TYPE**

This unit is suitable for all kinds of TV systems. You can select one of the PAL, NTSC or Multi.

**Multi:** the TV system is auto switched according to the disc system.

**NTSC:** this system is used in USA, Taiwan, Japan etc.

**PAL:** this system is used in China, Europe, Hong Kong etc.

- **AUDIO, SUBTITLE, DISC MENU language setup**

These are the initial settings by your preference. If a setting is supported by disc content, it will work. Otherwise the disc default value works. And these settings can be changed respectively by pressing the AUDIO and SUBTITLE keys when playing.

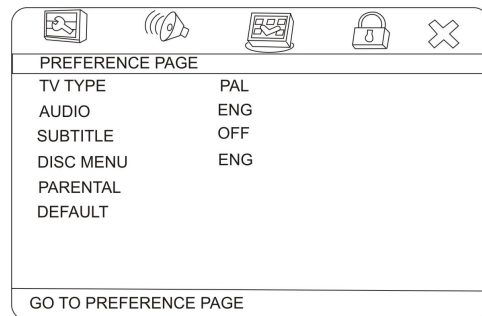
- **PARENTAL**

The control level is for parental to control playing content and protect your children from violence and erotic. The disc, the level of which is higher than the setting level cannot be played.

There are up to 8 censorship classes for DVDs.

- **DEFAULT**

Reset to the initial factory setups



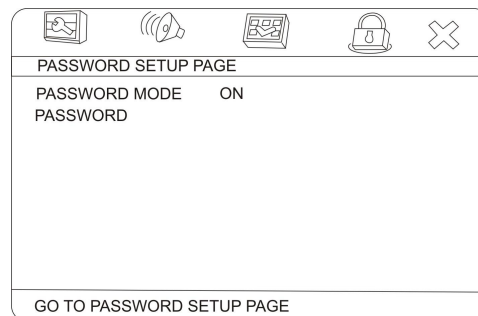
## Password setup page

- **PASSWORD MODE**

Set the password function to On or Off.

**On:** the parental control can be changed in the PARENTAL submenu (Preference page).

**Off:** you cannot change the parental control in Parental submenu.



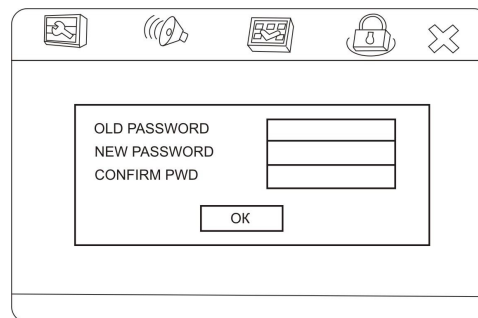
- **PASSWORD**

When the password mode is ON you can change the password. Select PASSWORD => CHANGE. Use the cursor buttons to select the desired field. In the OLD PASSWORD field insert the old password or 136900 (if you forget the old one).

In NEW PASSWORD field insert the new password.

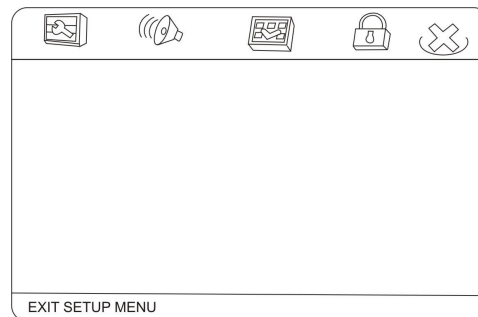
Insert it again in CONFIRM PWD field.

Press OK to save the new password.



## Exit setup menu

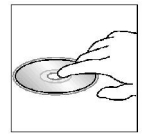
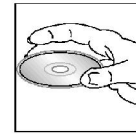
Select this item to exit the setup menu.



## Handling discs

---

- Dirty, scratched or warped discs may cause skip ping or noise.
- Handle the disc only by the edges. To keep clean do not touch its surface.
- Discs should be stored in their cases after use to avoid scratches.
- Do not expose discs to direct sunlight, high humidity, high temperature or dust.
- Prolonged exposure to extreme temperature can warp the disc (such as leaving the discs in your car during summertime).
- Do not stick or write anything on either side of disc. Sharp writing instruments, or the inks used in some felt-tip pens, may damage its surface.
- Do not touch the unlabeled side. Do not attach any seal, label or data protection sheet to either side of a disc.



## Cleaning

---

### Cleaning the cabinet and panel

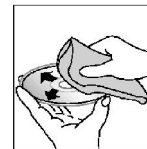
Wipe with a soft cloth. If the cabinet is very dampen (not dropping wet) the cloth with a weak solution of soapy water, and then wipe clean.

If the control panel is dirty, wipe off the dirt with soft, dry cloth only. And use a cotton swab soaked in isopropyl alcohol to clean the socket on the back of the control panel.

### Cleaning discs

Fingerprints should be carefully wiped from the surface of disc with a soft cloth. Unlike conventional records, compact discs have no grooves to collect dust and macroscopic dirt, so gently wiping them with a soft cloth should remove most particles. Wipe in a straight motion from the center to the edge.

Never use thinner benzene, record cleaner or anti static spray on a compact disc. Such chemicals can damage its plastic surface.



# Troubleshooting guide

Symptom	Cause	Solution
No power	The car ignition is not on.  The fuse is blown.	If the power supply is properly connected to the car accessory switch the ignition key to "ACC". Replace the fuse.
Disc cannot be loaded.	Presence of disc inside the player.	Remove the disc in the player then put a new upward.
Disc cannot be read.	Inserting the disc in upside down.  Compact disc is extremely dirty or defective. Temperature inside the car is too high.	Insert the compact disc with the label facing upward. Clean the disc or try to play a new one. Cool off until the ambient temperature returns to normal.
No sound	Volume is in minimum. Wiring is not properly connected.	Adjust volume to a desired level. Check wiring connection.
The operation keys do not work.	The built-in microcomputer is not operating properly due to noise. Front panel is not properly fix into its place.	Press the power button for about 10 seconds to reset the unit
Sound skips.	The installation angle is more than 30 degrees. The disc is extremely dirty or defective.	Adjust the installation angle to less than 30 degrees. Clean the compact disc/try to play a new one.
The radio does not work, the radio station automatic selection does not work.	The antenna cable is not connected the signals are too weak.	Insert the antenna cable firmly select a station manually.



# Specification

<b>General</b>	
Power supply:	12 V DC
Current consumption:	max. 15 A
Maximum power output:	50 W x 4
Compatible formats:	DVD/SVCD/VCD/HDCD/MP3/MP4/WMA/CDDA/Picture-CD/JPEG/MPEG4
Disc support:	DVD/DVD±R/DVD±RW/CD/CD-R/CD-RW/USB/SD/MMC
USB/SD/MMC support:	Up to 1 Gb
Dimensions (L x W x H)/weight:	178 x 50 x 166 mm/1.55 kg
ESP function:	40 sec. for Audio CD, 120 sec. for MP3
<b>TFT display</b>	
Screen size:	3 inches
Resolution:	480 x 234 dpi
Aspect ratio:	16:9
Contrast ratio:	450:1
Brightness:	350 cd/m <sup>2</sup>
Color system:	PAL/NTSC/SECAM
View angle:	V: 110 <sup>0</sup> , H: 160 <sup>0</sup>
<b>FM Stereo Radio</b>	
Frequency range:	65.0 – 74.0 / 87.5 – 108.0 MHz
Usable sensitivity:	10 dB
Preset memory stations:	18
S/N ratio:	55 dB (mono)
Separation:	30 dB (65 dB, 1 KHz)
<b>MW (AM) section</b>	
Frequency range:	522 kHz - 1620 kHz
Preset memory stations:	12
<b>DVD player</b>	

S/N ratio:	More than 70 dB (1 kHz)
Dynamic range:	More than 80 dB (1 kHz)
Distortion:	Less than 0.2%
<b>Line out</b>	
Output:	4 channel RCA line-out (2V)

**Specifications are subject to change without notice. Mass and dimension are approximate.**

## Уважаемый покупатель!

Благодарим Вас за покупку нашего изделия. Для обеспечения безопасности рекомендуется тщательно изучить настоящее руководство перед подключением, эксплуатацией и/или регулировкой изделия, и сохраняйте руководство для использования в будущем.

## Содержание

---

Содержание.....	35
Меры предосторожности.....	36
Комплект поставки.....	37
Установка/подключение.....	38
Элементы управления.....	41
Основные операции.....	45
Цифровой радио тюнер.....	48
Воспроизведение дисков/USB устройств/карт памяти SD/MMC.....	52
Обзор MP3.....	61
Операции с ТВ тюнером.....	63
Настройки системы.....	64
Обращение с дисками.....	69
Чистка и уход.....	69
Руководство по устранению неисправностей.....	70
Технические характеристики.....	71

## Меры предосторожности

---

- Использование данного устройства при температуре ниже  $-10^{\circ}\text{C}$  может привести к поломке. Перед использованием предварительно прогрейте салон автомобиля до рекомендованной температуры.
- При установке и подключении устройства отключите отрицательную клемму аккумулятора автомобиля.
- При замене предохранителя, убедитесь, что вы устанавливаете предохранитель с тем же номиналом. Используя предохранитель с повышенным значением тока можно причинить значительные повреждения изделию.
- Не пытайтесь разбирать устройство. Лазерные лучи, исходящие из блока оптической головки считывания информации с компакт-диска, опасны для глаз.
- Не используйте устройство в местах, где оно может подвергнуться воздействию воды, влаги и пыли.
- Убедитесь, что посторонние предметы не попали внутрь изделия. Они могут вызвать сбой в работе или стать причиной опасности, такой, как поражение электрическим током или лазерным лучом.
- Если вы ставите автомобиль на стоянку на длительное время в жаркое или холодное время года, подождите, пока температура в автомобиле не станет нормальной, перед тем как включать изделие.
- Не открывайте крышки и не проводите ремонт самостоятельно. Обратитесь к дилеру или квалифицированному персоналу.
- Убедитесь, что устройство отключено от питания во время грозы или если Вы намерены не использовать его в течение долгого времени.
- Убедитесь, что питание устройства отключено, если обнаружена неправильная работа системы, система издает необычные звуки, запах, выделяет дым или внутрь ее попала жидкость. Проведите квалифицированный технический осмотр системы.
- Изделие разработано так, чтобы отрицательный вывод аккумулятора был подключен к корпусу транспортного средства. Пожалуйста, убедитесь в этом перед установкой.
- Не позволяйте проводам динамиков касаться друг друга или металлических поверхностей автомобиля при включении изделия. В противном случае усилитель мощности может выйти из строя.
- Не снимайте панель, не выключив питание устройства.

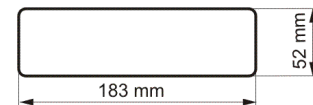
## Комплект поставки

---

Крепежный кожух	1 шт
Крепежный винт М5	1 шт
Резиновый предохранитель	1 шт
Съемная рамка	1 шт
Пульт дистанционного управления	1 шт
Съемный ключ	2 шт
Винт	4 шт
Крепежная планка	1 шт
USB кабель	1 шт
Защитный футляр	1 шт
Информация для потребителя	1 шт
Гарантийный талон	1 шт
Инструкция по эксплуатации	1 шт

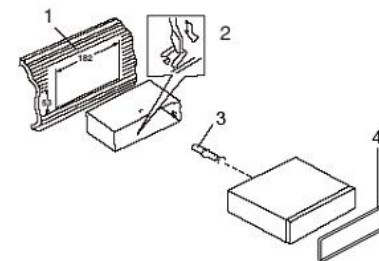
## Установка/подключение

Данное изделие может быть установлено в приборную панель, имеющую отверстие с размерами, указанными ниже. Передняя панель должна иметь толщину 4,5 – 5,5 мм, чтобы быть способной надежно удерживать изделие.



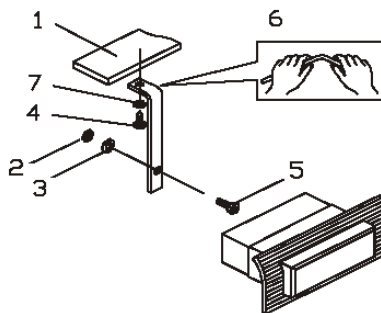
### Установки изделия

1. Вставьте установочный кожух в приборную панель.
2. После установки кожуха автомагнитолы в приборную панель автомобиля выберите на кожухе те металлические язычки, которые соответствуют толщине приборной панели, и отогните их, чтобы зафиксировать кожух на месте.
3. Закрепите заднюю сторону изделия.



После закрепления установочного болта и разъема питания установите резиновую втулку, обеспечив тем самым надежную фиксацию изделия в отсеке для магнитолы автомобиля.

1. Приборная панель автомобиля
  2. Гайка (5 мм)
  3. Пружинная шайба
  4. Винт (5 x 25 мм)
  5. Винт
  6. Металлическая планка
  7. Плоская шайба
4. Установите защитную рамку.

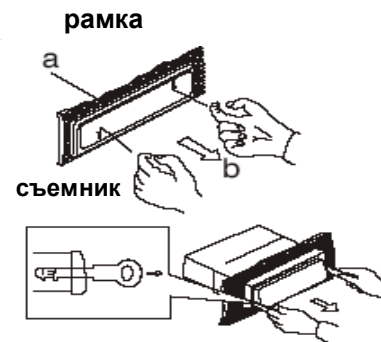


## Снятие изделия

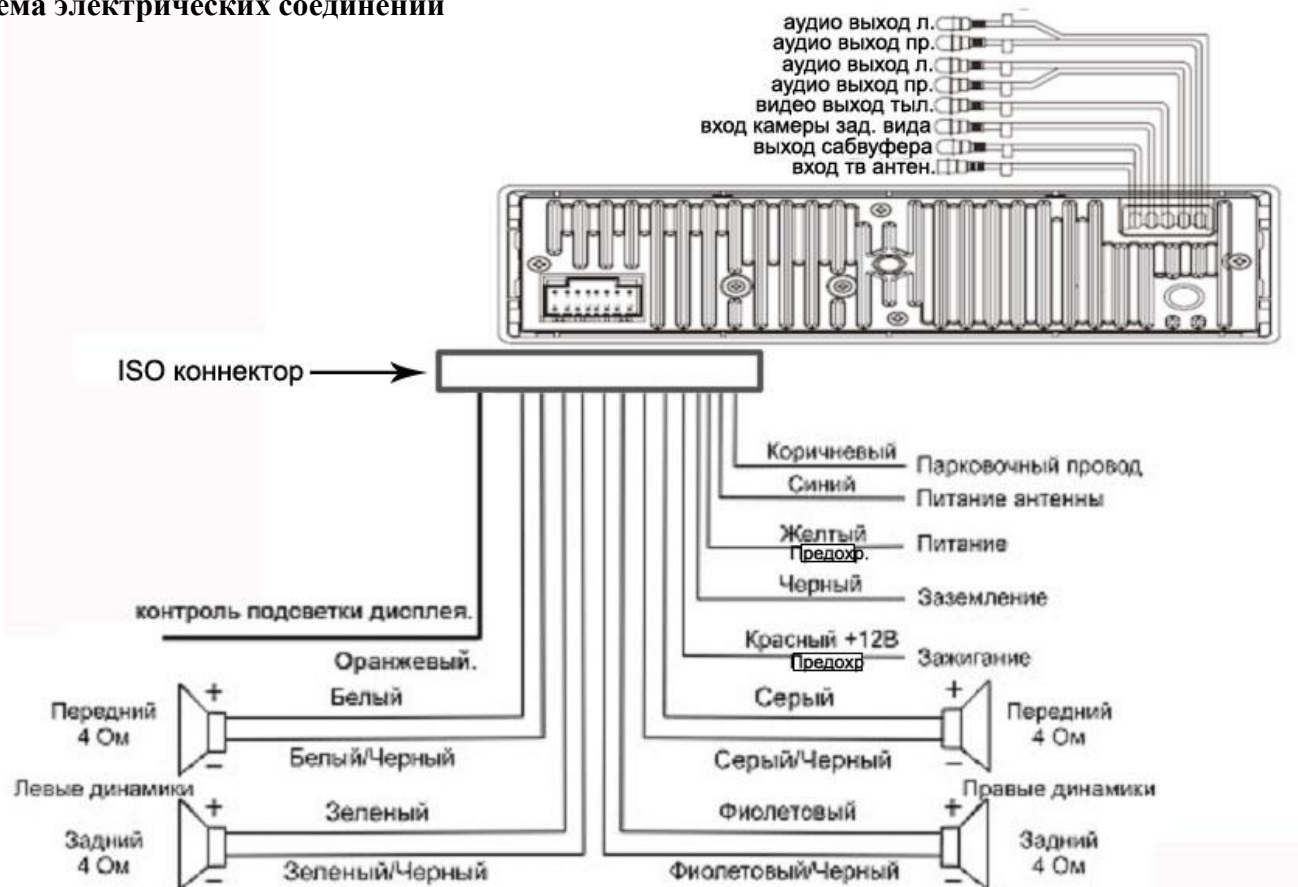
Вставьте пальцы в выемки на передней стороне рамки и вытяните рамку на себя. (При установке декоративной рамки на место направьте сторону с выемками вниз и установите рамку)

Вставьте съемники, входящие в комплект магнитолы, в пазы на обеих сторонах устройства, как показано на рисунке, чтобы они зафиксировались со щелчком.

Для того чтобы вынуть магнитолу из приборной панели автомобиля, потяните за съемники на себя.



## Схема электрических соединений



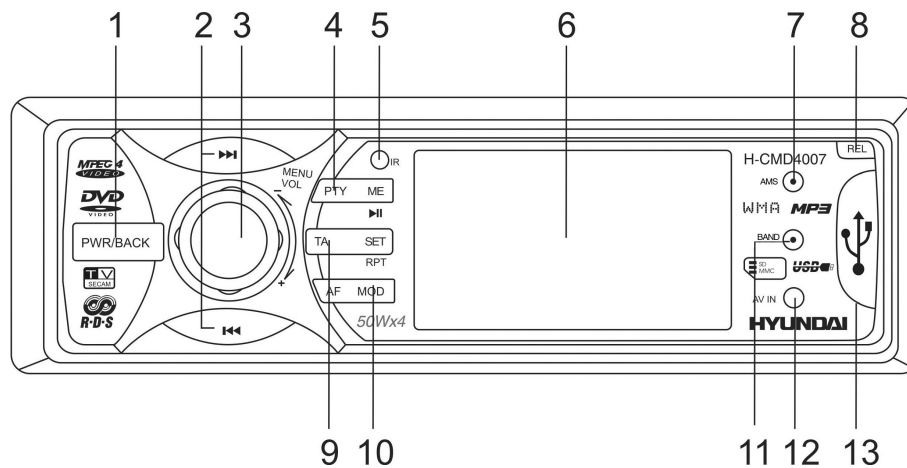
**Внимание:** Не меняйте провода самостоятельно!

Для некоторых моделей автомобилей необходимо будет изменить соединение проводов питания в разьеме, что связано с конструктивными особенностями автомобиля. В этом случае для правильной инсталляции обратитесь к авто дилеру или в установочную студию.



# Элементы управления

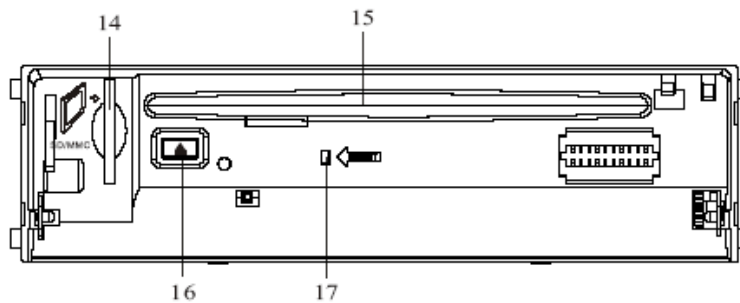
## Передняя панель



1. Кнопка PWR/BACK
2. Кнопки «|<»/»|>»
3. Регулятор VOL/кнопка MENU
4. Кнопка PTY/ME/PLAY/PAUSE
5. ИК сенсор
6. TFT дисплей
7. Кнопка AMS
8. Кнопка REL
9. Кнопка TA/SET/RPT
10. Кнопка AF/MOD
11. Кнопка BAND
12. Кнопка AV IN
13. USB порт

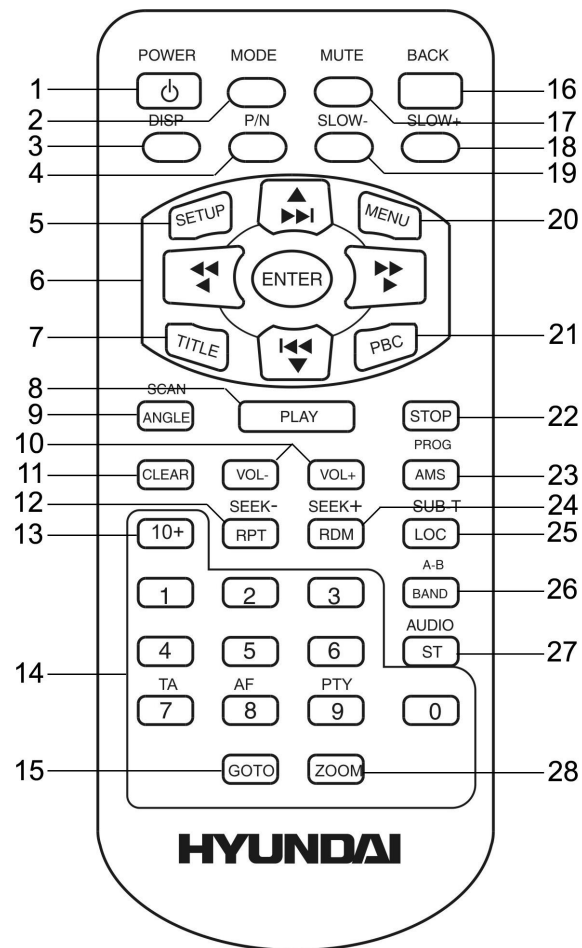
## Внутренняя панель

- 14. SD/MMC слот
- 15. Слот для загрузки дисков
- 16. Кнопка EJECT
- 17. Кнопка RESET



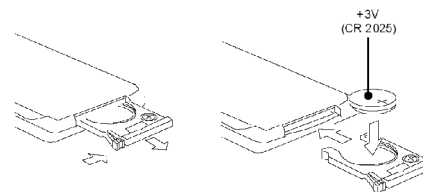
## Пульт дистанционного управления (ПДУ)

1. Кнопка POWER
2. Кнопка MODE
3. Кнопка DISP
4. Кнопка P/N
5. Кнопка SETUP
6. Кнопки ◀/▶, ◀◀/▶▶, ▲/▼/◀/▶, кнопка ENTER
7. Кнопка TITLE
8. Кнопка ANGLE/SCAN
9. Кнопки VOL-/VOL+
11. Кнопка CLEAR
12. Кнопка RPT/SEEK-
13. Кнопка 10+
14. Цифровые кнопки (0-9)
15. Кнопка GOTO
16. Кнопка BACK
17. Кнопка MUTE
18. Кнопка SLOW+
19. Кнопка SLOW-
20. Кнопка MENU
21. Кнопка PBC
22. Кнопка STOP
23. Кнопка AMS/PROG
24. Кнопка RDM/SEEK+
25. Кнопка LOC/SUB-T
26. Кнопка BAND/A-B
27. Кнопка ST/AUDIO
28. Кнопка ZOOM



### Замена батарей в пульте управления:

1. Откройте отсек для батарей в направлении, указанном стрелкой.
2. Замените старую батарею на новую (CR 2025 3V), соблюдая полярность. Закройте отсек для батарей.



### Примечание:

- Не позволяйте детям играть с батарейками.
- Неправильное использование батареек может стать причиной перегрева или возгорания, что в свою очередь ведет к пожару.
- Утечка батареек может сделать причиной повреждения пульта управления (Срок работы батарей – 6 месяцев при эксплуатации в обычных условиях при комнатной температуре).
- Не закорачивайте полюса батареи. Не бросайте батареи в огонь.

# Основные операции

---

## Сброс установок

Во время работы устройства в первый раз или после замены батарейки, или если устройство не реагирует на команды, а также на дисплее появляются символы ошибок, Вам следует сбросить настройки.

Нажмите кнопку REL, чтобы откинуть переднюю панель. Используя ручку или другой остроконечный предмет, нажмите кнопку RESET, чтобы сбросить все настройки устройства.

## Включение/отключение питания

Нажмите кнопку PWR/BACK на панели или кнопку POWER на ПДУ, чтобы включить устройство. Нажмите и удерживайте эту кнопку, чтобы выключить устройство.

**Внимание:** Когда Вы выключаете систему или зажигание автомобиля, уровень громкости и все настройки будут сохранены в памяти устройства.

## Регулировка громкости

Вращайте регулятор VOL на панели по часовой стрелке или нажимайте кнопку VOL+ на ПДУ, чтобы увеличить уровень громкости.

Вращайте регулятор VOL на панели против часовой стрелки или нажимайте кнопку VOL- на ПДУ, чтобы уменьшить уровень громкости.

## Беззвучный режим

Нажмите кнопку MUTE, чтобы выключить звук. Нажмите кнопку повторно, чтобы восстановить звук.

## Выбор режима работы

Нажимайте кнопку MODE на панели или на ПДУ, чтобы выбрать режим работы устройства: RADIO (РАДИО) => DISC (ДИСК) (если в устройство загружен диск) => USB (когда USB устройство подключено к устройству) => SD/MMC (когда SD/MMC карта подключена к устройству) => TV => AV.

## Настройка аудио и видео

- Нажмите кнопку MENU на панели или на ПДУ, чтобы войти в меню аудио и видео установок.
- Нажимайте кнопки ◀/▶ на панели или кнопки курсора ◀/▶/▲/▼ на ПДУ, чтобы выбрать подменю: AUDIO (настройки звука) => PICTURE (настройки изображения) => SETUP (настройки системы).
- Нажмите кнопку MENU на панели или кнопку ENTER на ПДУ, чтобы войти в раздел подменю.
- Нажимайте кнопки ◀/▶ на панели или кнопки курсора ◀/▶/▲/▼ на ПДУ, чтобы выбрать раздел подменю:

Подменю **Аудио (AUDIO)**: VOLUME (громкость) => BASS (низкие частоты) => TREBLE (высокие частоты) => BALANCE (баланс левого/правого каналов) => FADER (баланс переднего/заднего каналов) => EQ (эквалайзер) => LOUD (усиление баса) => SUB.W (сабвуфер).

Подменю **Изображение (PICTURE)**: BRIGHT (яркость) => CONTRAST (контрастность) => COLOR (цвет) => TINT (оттенок) => DEFAULT (по умолчанию).

Подменю **Настройки системы (SETUP)**: SYSTEM (система) => CLOCK (часы).

- Для активации настроек нажмите кнопку MENU на панели; вращайте регулятор VOL, чтобы отрегулировать настройку. Или нажимайте кнопки курсора ◀/▶ на ПДУ, чтобы отрегулировать настройку.
- Для того чтобы сохранить выбранные установки, нажмите кнопку ENTER или подождите несколько секунд – настройки будут сохранены автоматически.

### Примечание:

- При выключении устройства все установки каждого режима будут сохранены.
- При выключении питания или сбросе устройство вернется к заводским настройкам.
- Если Вы не выполняете никаких операций в течение нескольких секунд после выбора настраиваемого параметра, устройство вернется к предыдущему режиму.

### **Возврат к предыдущему режиму (функция “Back”)**

Чтобы вернуться к предыдущему разделу меню, нажмите кнопку BACK на ПДУ или кнопку PWR/BACK на панели.

### **Установка времени**

**Отображение времени:** Нажмите кнопку MENU, затем выберите SETUP => SYSTEM. В пункте TIME вращайте регулятор VOL, чтобы выбрать ON для отображения времени. В пункте TIME.M вращайте регулятор VOL, чтобы выбрать формат отображения времени (12 часов/24 часа).

**Настройка времени:** Нажмите кнопку MENU, затем выберите SETUP => SYSTEM. В пункте CLOCK нажимайте кнопки ◀/▶ на панели или кнопки ◀/▶ на ПДУ, чтобы выбрать для настройки часы или минуты. Вращайте регулятор VOL или нажимайте кнопки ▲/▼ на ПДУ, чтобы отрегулировать часы и минуты.

# Цифровой радио тюнер

---

**Примечание:** Сервис RDS (система радио данных) доступен не во всех регионах. Имейте в виду, что если услуга RDS недоступна в Вашем регионе, то данная функция не будет работать.

## Выбор диапазона

Нажмите кнопку BAND/A-B на ПДУ или кнопку BAND на панели, чтобы выбрать нужный диапазон: FM1, FM2, FM3, MW1 (AM1), MW2 (AM2). На дисплее отобразится диапазон и частота.

## Ручной/автоматический поиск радиостанций

**Автоматический поиск:** нажмите кнопки «**◀/▶**», чтобы начать автоматический поиск радиостанции.

**Ручной поиск:** нажмите и удерживайте кнопки «**◀/▶**», чтобы начать поиск радиостанции вручную. Кнопкой «**◀**» осуществляется поиск радиостанций с более низкой частотой, кнопкой «**▶**» осуществляется выбор радиостанций с более высокой частотой.

## Функция автоматического сохранения станций в памяти

Вы можете сохранить до 30 радиостанций (18 FM, 12 MW (AM)).

- Для сохранения радиостанции вручную:
  - Выберите желаемый диапазон.
  - Выберите станцию с помощью кнопок «**◀/▶**».
  - Нажмите и удерживайте 2 секунды одну из цифровых кнопок (1-6), под которой хотите сохранить радиостанцию.
- Для автоматического сохранения радиостанции:
  - Выберите желаемый диапазон.
  - Нажмите и удерживайте кнопку AMS на панели или кнопку AMS/PROG на ПДУ в течение 2 секунд. Станции с хорошим приемом сигнала будут сохранены.



**Примечание:** Нажмите кнопку ME/PLAY/PAUSE несколько раз, чтобы изменить последовательность сохраненных радиостанций.

- Для выбора одной из сохраненных радиостанций:
  - Выберите желаемый диапазон.
  - Нажмите коротко одну из цифровых кнопок (1-6), под которой была сохранена выбираемая радиостанция.

Или:

- Выберите диапазон.
- Нажмите кнопку SET/RPT, чтобы выбрать сохраненную станцию.

### **Прослушивание сохраненных станций**

Нажмите кнопку AMS на панели или кнопку PROG/AMS на ПДУ, чтобы прослушать все сохраненные в текущем диапазоне станции в течение нескольких секунд. Во время прослушивания номер каждой станции будет мигать на дисплее. Чтобы остановить прослушивание, снова нажмите эту кнопку.

### **Поиск локальных радиостанций**

Нажмите кнопку LOC/SUB-T на ПДУ, чтобы активизировать или выключить функцию приема локальных радиостанций. Если данная функция включена, магнитола будет принимать локальные радиостанции со слабым сигналом. Если данная функция выключена, будут приниматься радиостанции как со слабым сигналом, так и с сильным.

### **Прием в режиме стерео/моно**

Нажмите кнопку ST/AUDIO на ПДУ для выбора Стерео или Моно режима.

### **Функция RDS**

Существуют режимы: PI, PS, TP,PTY, TA, AF, DATA.

PI: программа идентификации кода.

PS: индикация транслирующей радиостанции – наименование станций отображается в алфавитном порядке.

TR: программа приема информации о дорожном движении – транслируются радиостанции, передающие информацию о дорожном движении.

TA: поиск программ о дорожном движении – показывает информацию о дорожном движении.

AF: альтернативная частота – перечень частот радиостанций станций, транслирующих одну и ту же программу.

### **Режим AF**

Нажмите кнопку AF, чтобы включить/выключить режим альтернативных частот. На дисплее отобразится символ “AF” при включении режима.

**Примечание:** устройство будет переключаться в режим Альтернативной частоты каждый раз, когда принимаемый сигнал будет ослабевать. На дисплее будет отображаться символ “Alarm”, при получении сообщения о ситуации на дорогах.

### **Функция выбора передаваемого типа программыPTY**

1. Нажмите кнопку PTY, чтобы войти в режим PTY.
2. Вращайте регулятор VOL или нажимайте кнопки ▲/▼ на ПДУ, чтобы выбрать тип музыкальной или голосовой программы:

Музыкальные программы	Голосовые программы
POP M, ROCK M	NEWS, AFFAIRS, INFO
EAST M, LIGHT M	SPORT, EDUCATE, DRAMA
CLASSICS, OTHER M	CULTURE, SCIENCE, DRAMA
JAZZ M, COUNTRY M	WEATHER, FINANCE, CHILDREN
NATION M, OLDIES M	SOCIAL RELIGION, PHONE IN

3. При выборе режима РТУ начнется поиск радиостанций в соответствии с заданным типом программы. Если не найдена ни одна радиостанция, соответствующая заданному типу программы, устройство возвращается к обычному режиму воспроизведения.

### **Функция ТА (программы о дорожном движении)**

Нажмите кнопку ТА, чтобы активизировать данную функцию. При вещании программы о дорожном движении воспроизведение диска или прослушивание текущей радиостанции будет прервано. Чтобы прервать вещание программы о дорожном движении, нажмите кнопку ТА. Устройство вернется к предыдущему режиму работы.

# **Воспроизведение дисков/USB устройств/карт памяти SD/MMC**

## **Используемая терминология**

### **РВС (управление воспроизведением)**

Управление воспроизведением – это меню, записанное на видео компакт-дисках. Использование экранного меню видео компакт-диска с РВС, позволяет Вам пользоваться простыми интерактивными программами с функциями поиска. Вы также можете просматривать неподвижные изображения с высоким разрешением.

### **Раздел**

Большой объем диска позволяет записывать несколько фильмов или роликов. Например, если 1 диск содержит 3 разных фильма (ролика), они подразделяются как Раздел 1, Раздел 2 и Раздел 3. Это позволяет Вам пользоваться удобными функциями поиска.

### **Глава**

Любой раздел может состоять из отдельных блоков, каждый из которых можно просматривать отдельно. Такой блок называется главой. В каждой главе должно содержаться не меньше одного трека.

### **Трек**

Трек – это дорожка, музыкальная или видео композиция. Например, песня, записанная на диске, является треком.

## Диски для воспроизведения

- Данное устройство может воспроизводить следующие разновидности цифровых дисков: DVD/DVD±R/DVD±RW/CD/CD-R/CD-RW.
- Совместимо с форматами: DVD/SVCD/VCD/HDCD/MP3/MP4/WMA/CDDA/Picture-CD/JPEG/MPEG4.
- Поддерживаются следующие типы файлов:
  - Аудио файлы: MP3 (\*.mp3)  
WMA (\*.wma)
  - Видео файлы: MP4 (\*.avi, DIVX3.11/4.0/5.0/6.0 and XVID)  
MPEG 2(\*.vob)  
MPEG 1(\*.dat)
  - Файлы с изображениями: JPEG (\*.jpg)
- ISO 9660 или ISO 9660 + формат Joliet - максимум 30 знаков.
- Максимальное число треков – 448.
- Максимальное число вложений - 8 уровней.
- Максимальное число альбомов – 99.
- Максимальная длина каждого трека - 99 минут 59 секунд.
- Поддерживаемая частота дискретизации для MP3 диска: от 8 кГц до 48 кГц (предпочтительно 44,1 кГц).
- Поддерживаемые скорости цифрового потока MP3 диска: 32 - 320 Кб/сек (предпочтительно 128 Кб/сек).
- Не поддерживаются следующие форматы: \*.ACC, \*.DLF, \*.M3U, \*.PLS, MP3 PRO, файлы с DRM.
- Диски с открытой сессией записи не поддерживаются.

## **Загрузка дисков**

1. Включите питание устройства.
2. Нажмите кнопку REL на устройстве, чтобы открыть переднюю панель.
3. Вставьте диск в слот маркированной стороной вверх.
4. Закройте переднюю панель.
5. Нажмите кнопку MODE, чтобы перейти в режим DVD. На мониторе появится содержание диска. Воспроизведение диска начнется автоматически. Для того чтобы начать воспроизведение MP3 диска, нажмите кнопку PLAY.
6. Чтобы извлечь диск, нажмите кнопку REL для открытия передней панели.
7. Нажмите кнопку EJECT, чтобы извлечь диск.
8. Закройте переднюю панель.

**Примечание:** Если диск не извлечен из слота в течение нескольких секунд, произойдет его автоматическая перезагрузка. Если Вы попытаетесь загрузить диск в слот с применением усилия, это может стать причиной повреждения диска.

## **Установка устройств SD/MMC/USB**

Установите SD/MMC карту или USB носитель в соответствующий слот. Устройство автоматически перейдет в соответствующий режим. Начнется воспроизведение первого трека установленного носителя.

Если карта памяти и USB носитель установлены одновременно, устройство перейдет в режим того носителя, который был установлен последним. Вы можете поменять источник воспроизведения нажатием кнопки MODE на ПДУ или на панели.

Если карта памяти не извлекается путем нажатия; ее следует вытянуть из слота.

**Примечание:** Данное устройство поддерживает носители USB и карты памяти с объемом памяти до 1 Гб.

### **Воспроизведение/Пауза**

Дождитесь, пока плеер закончит читать диск. Воспроизведение начнется автоматически. Также, чтобы начать воспроизведение, Вы можете использовать кнопку ME/PLAY/PAUSE на передней панели или кнопку PLAY на ПДУ. Во время воспроизведения нажмите кнопку ME/PLAY/PAUSE на панели или кнопку PLAY на ПДУ, чтобы включить режим паузы; нажмите повторно, чтобы возобновить воспроизведение.

### **Остановка воспроизведения**

Во время воспроизведения нажмите кнопку STOP на ПДУ, чтобы остановить воспроизведение. Для возобновления воспроизведения с того же места нажмите кнопку ME/PLAY/PAUSE на передней панели или кнопку PLAY на ПДУ. Нажмите кнопку STOP дважды, чтобы полностью остановить воспроизведение.

### **Переход к предыдущему/следующему треку**

Во время воспроизведения нажимайте кнопки ◀/▶ на панели или кнопки ◀/▶ на ПДУ, чтобы перейти к следующему треку или к началу текущего трека. Нажмите дважды кнопку ◀, чтобы начать воспроизведение предыдущего трека.

### **Ускоренное воспроизведение вперед или назад**

Нажмите и удерживайте кнопки ◀/▶ на панели или кнопки ◀/▶ на ПДУ, чтобы выбрать ускоренное воспроизведение вперед или назад: x2 => x4 => x8 => x16 => x32.

### **Замедленное воспроизведение**

При воспроизведении DVD/VCD дисков для воспроизведения в замедленном режиме нажимайте кнопки SLOW +/- на ПДУ. Скорость воспроизведения будет изменяться в следующем порядке: 1/2 => 1/4 => 1/8 => 1/16 => normal (воспроизведение в нормальном режиме).

**Примечание:** При переходе к следующему/предыдущему треку в режиме замедленного воспроизведения скорость воспроизведения возвращается к нормальному режиму.

### **Повторное воспроизведение**

Во время воспроизведения нажмите кнопку SEEK-/RPT на ПДУ или кнопку SET/RPT на панели, чтобы выбрать режим повтора. В зависимости от типа диска можно выбрать повтор трека/раздела/главы/диска.

### **Повтор фрагмента А-В (для дисков DVD/VCD)**

1. Во время воспроизведения нажмите кнопку BAND/A-B на ПДУ на том моменте, с которого Вы хотели бы начать повтор (точка А).
2. Нажмите кнопку BAND/A-B еще раз на том моменте, до которого Вы хотите произвести повторное воспроизведение (точка В). Повторное воспроизведение отрывка А-В начнется автоматически.
3. Чтобы остановить повторное воспроизведение фрагмента, нажмите кнопку еще раз.

### **Воспроизведение в случайном порядке (только для дисков CD/VCD/MP3)**

Во время воспроизведения нажмите кнопку RDM/ SEEK+, чтобы начать воспроизведение в произвольном порядке. Нажмите кнопку повторно, чтобы отменить функцию.

### **Выбор системы цветности**

В режиме DVD нажимайте кнопку P/N, чтобы выбрать систему цветности: NTSC/PAL/мульти.

### **Изменение угла просмотра (только для DVD дисков)**



Если DVD-диск поддерживает воспроизведение с различных точек съемки, нажмите кнопку ANGLE/SCAN на ПДУ для воспроизведения сцен с различных точек съемки. Если диск не поддерживает многоугловое воспроизведение, эта функция не будет работать.

### **Выбор языка аудио (только для DVD дисков)**

Если DVD-диск поддерживает несколько языков аудио, нажимайте кнопку ST/AUDIO на ПДУ, чтобы выбрать язык аудио.

### **Выбор канала (для CD/VCD дисков)**

Нажимайте кнопку ST/AUDIO, чтобы выбрать канал: Mono Left (левый канал) => Mono Right (правый канал) => Mix Mono (смешанное моно) => Stereo (стерео).

### **Выбор языка субтитров (только для DVD дисков)**

Для выбора языка субтитров нажимайте кнопку LOC/SUB-T, если данный диск имеет субтитры на нескольких языках.

### **Изменение масштаба изображения (для DVD/VCD дисков)**

Нажмите кнопку ZOOM на ПДУ. Масштаб изображения при каждом нажатии будет изменяться в следующем порядке: 2X, 3X, 4X, 1/2X, 1/3X, 1/4X, нормально. В режиме увеличения изображения нажимайте кнопки курсора для смещения изображения.

### **Работа с меню разделов DVD диска**

1. Нажмите кнопку TITLE на ПДУ, чтобы отобразить меню разделов диска на дисплее.
2. С помощью кнопок ▲/▼ Вы можете выбрать нужный раздел. Также Вы можете ввести номер раздела, который хотите просмотреть. Воспроизведение начнется автоматически.
3. Нажмите кнопку ENTER, чтобы начать воспроизведение.

### **РВС (управление воспроизведением) (только для VCD дисков)**

Если вы используете VCD, поддерживающий функцию РВС, автоматически начинается воспроизведение с начала 1-ого трека.

1. Нажмите кнопку РВС на ПДУ, чтобы во время воспроизведения на экране отобразилось интерактивное меню.
2. Если меню состоит из списка разделов, Вы можете непосредственно выбирать нужные разделов при помощи кнопок с цифрами или кнопок ▲/▼/◀/▶ на ПДУ.
3. При вводе номера раздела воспроизведение начнется автоматически, при выборе раздела нажмите кнопку ENTER для подтверждения своего выбора.
4. Нажмите кнопку STOP, чтобы возвратиться к меню диска VCD.
5. Повторно нажмите кнопку РВС, чтобы выйти из меню.

### **Программирование воспроизведения (только для DVD/VCD)**

1. Нажмите кнопку AMS/PROG на ПДУ, чтобы открыть окно программирования воспроизведения.
2. Введите номер трека/главы, который будет первым в списке воспроизведения. Нажмите кнопку ENTER для подтверждения.
3. Таким же образом введите номер следующего трека/главы.
4. Последовательно введите номера треков/глав в желаемом порядке, подтверждая каждый раз свой выбор нажатием кнопки ENTER.
5. С помощью кнопок курсора ▲/▼ выберите пункт НАЧАТЬ для воспроизведения программы.

### **Функция перехода «GOTO» (только для DVD/VCD)**

Используйте эту кнопку для выбора времени раздела, главы или времени, с которого Вы ходите начать воспроизведение.

1. Во время воспроизведения нажмите кнопку GOTO на ПДУ, чтобы открыть окно перехода.

- Используйте кнопки курсора ◀ / ▶ / ▲ / ▼ для выбора нужного пункта меню. Кнопкой ENTER активизируйте поле для ввода номера главы/раздела/показателя времени. С помощью кнопок с цифрами введите номер/время, к которому хотите перейти.
- Нажмите кнопку GOTO, чтобы перейти к выбранному параметру.
- Поиск по времени:** нажимайте кнопки с цифрами, чтобы ввести время, с которого Вы хотите начать воспроизведение (чч:мм:сс). Например, чтобы ввести время 18 ч 20 м 00 с, вводите цифры: 1 => 8 => 2 => 0 => 0 => 0. Нажмите кнопку ENTER, чтобы начать воспроизведение.  
**Поиск по номеру раздела/главы:** при помощи кнопок с цифрами введите номер нужного заголовка или главы. Например, для перехода к заголовку/главе 20-/8--, вводите цифры: 2 => 0 => ▶ => 8. Нажмите кнопку ENTER, чтобы начать воспроизведение.  
Для **поиска по номеру трека:** при помощи кнопок с цифрами введите номер желаемого раздела/главы/трека. Например, для перехода к 13 треку введите 1 => 3. Нажмите кнопку ENTER, чтобы начать воспроизведение.

### **Отображение информации на экране**

При воспроизведении DVD/VCD нажмите кнопку DISP на ПДУ, на экране отобразится информация о воспроизведении, такая как истекшее время раздела, оставшееся время раздела, истекшее время главы, оставшееся время главы, истекшее время трека, оставшееся время трека, общее оставшееся время.

### **Автоматическое переключение в режим видео**

Во время воспроизведения DVD диска, когда Вы едете в машине, на дисплее отображается «DVD: PARKING BRAKE» («DVD: парковка»). Данное сообщение является предупреждением о том, что машину следует остановить и активировать ручной тормоз, в этом случае будет доступен просмотр видео.

### **Автоматическое переключение при наборе скорости автомобиля**

Устройство может переключиться на установку настроек автоматически при наборе скорости автомобиля. Вы можете набирать скорость и слушать музыку в машине, не делая при этом никаких действий.

### **Операции с папками MP3**

Если загруженный MP3 диск, карта памяти или USB носитель содержит папки, во время воспроизведения нажмите кнопку PROG/AMS на ПДУ или кнопку AMS на устройстве для отображения всех папок. С помощью кнопок ▲/▼ выберите нужную папку, затем нажмите кнопку ENTER для запуска воспроизведения файлов в выбранной папке.

Если папок слишком много и они не вмещаются на одну страницу для отображения, нажимайте кнопки ◀ / ▶ для перелистывания страниц.

# Обзор MP3

---

## Замечания по MP3:

- MP3 это краткое обозначение аудио слоя MPEG 3 и относится к стандарту технологии сжатия звука.
- Данное изделие позволяет воспроизводить файлы MP3 на дисках CD-ROM, CD-R или CD-RW.
- Изделие может считывать файлы MP3, записанные в формате, соответствующем ISO 9660. Однако оно не поддерживает данные MP3, записанные методом пакетной записи.
- Изделие не может считывать файлы MP3, которые имеют расширение файла, отличающееся от “.mp3”.
- Если вы воспроизводите не MP3 файл, который имеет расширение “.mp3”, вы можете слышать некоторые шумы.
- В данном руководстве мы рассматриваем файлы, называемые “файлами MP3” и “папкой”, а в технологии PC “дорожкой” и “альбомом” соответственно.
- Максимальное количество уровней директории равно 8, включая корневую директорию. Максимальное количество файлов и папок на диске 448.
- Изделие может не воспроизводить дорожки в последовательном порядке.
- Изделие воспроизводит только аудио треки, если диск содержит как аудио треки, так и файлы MP3.
- При воспроизведении диска со скоростью передачи данных 8 килобит или переменной скоростью передачи битов (VBR), истекшее время воспроизведения в окне дисплея, возможно, будет некорректным, а ознакомительное воспроизведение может не действовать надлежащим образом.

## Замечание по созданию собственных CD-R или CD-RW, содержащих файлы MP3:

- Для получения высокого качества звука мы рекомендуем преобразовывать файлы MP3 с частотой дискретизации 44,1 кГц и постоянным битрейтом 128 Кбит/сек.
- НЕ сохраняйте более 448 файлов MP3 на диске.

- Для формата, совместимого с ISO 9660, максимально допустимая глубина вложенных папок равняется 8, включая корневую директорию (папку).
- При использовании диска CD-R воспроизведение возможно только для дисков, у которых закрыта сессия записи.
- Убедитесь, что при записи MP3 CD-R или CD-RW были отформатированы как диски данных, а НЕ как аудио диски.
- Не рекомендуется записывать на диск MP3 файлы вместе с другими файлами, так как в этом случае потребуется много времени для их воспроизведения изделием.
- На некоторых CD-R или CD-RW данные могут не быть записаны надлежащим образом в зависимости от качества их производства. В этом случае данные могут быть воспроизведены не надлежащим образом. Рекомендуются приобретать диски CD-R или CD-RW высокого качества.
- Имя альбома или композиции может содержать до 16 символов. Необходима версия 1.x ID3TAG.
- Помните, что изделие может не воспроизводить треки в том порядке, в котором они записаны на диске.

## Операции с ТВ тюнером

---

### Выбор режима

Нажимайте кнопку MODE на устройстве или кнопку MODE на ПДУ, чтобы выбрать источник сигнала TV (ТВ тюнер).

### Поиск канала

Нажмите кнопку AMS, на дисплее отобразится надпись “SCAN READY”; затем нажмите кнопку ⏪ для осуществления автоматического поиска и сохранения каналов по диапазонам частот. Для остановки процесса поиска нажмите кнопку ⏩.

**Примечание:** Нажмите соответственно кнопку ANGLE/SCAN, затем кнопку RDM/SEEK+ на ПДУ для выполнения той же операции.

### Выбор канала

1. Нажимайте кнопки ⏪/⏩ на устройстве или кнопки RPT/SEEK- или RDM/SEEK+ на ПДУ, чтобы выбрать предыдущий или следующий сохраненный канал.
2. Чтобы выбрать сохраненный канал непосредственно, нажимайте цифровые кнопки 1-9 на ПДУ. Если номер канала более 10, нажмите нужную комбинацию цифровых кнопок.

# Настройки системы

1. Нажмите кнопку SETUP, чтобы открыть меню настройки системы.
2. Используйте кнопки ◀/▶, чтобы выбрать нужное меню из списка: Общие настройки, Настройка аудио, Настройка предпочтений, Установка пароля, Выход.
3. Нажмите кнопку ▼ для входа в меню.
4. Используйте кнопки курсора ▲/▼, чтобы выбрать нужную настройку.
5. Нажмите кнопку ▶, чтобы войти в окно настройки.
6. Нажимайте кнопки ▲/▼, чтобы выбрать нужный параметр, и нажмите кнопку ENTER для подтверждения.
7. Нажмите кнопку ◀, чтобы вернуться к списку меню.
8. чтобы выйти из меню настройки, нажмите кнопку SETUP.

## Общие настройки

### • ТВ ДИСПЛЕЙ

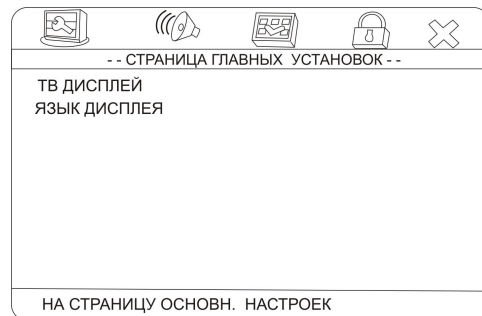
**4:3/PS:** Когда домашний кинотеатр подключен к обычному телевизору, широкоэкранный образ воспроизводится на всем экране, но часть его обрезается.

**4:3/LB:** Когда домашний кинотеатр подключен к обычному телевизору, широкоэкранный образ воспроизводится так, что сверху и снизу появляются черные полосы.

**16:9 (широкоэкранный):** Используйте этот пункт, если домашний кинотеатр подключен к широкоэкранному телевизору.

**Сжать по ширине:** выберите эту функцию, чтобы расширить изображение по ширине.

**Примечание:** Изображение в формате 4:3 всегда будет воспроизводиться в формате 4:3. Формат изображения титров в режиме DVD может меняться; относительно того, какая информация идет вместе с титрами. Если DVD титры записаны в формате 16:3, а экранное изображение на 4:3, изображение



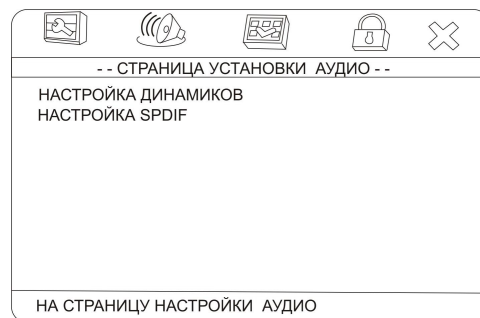


будет горизонтально сжато. Некоторые DVD титры могут быть записаны в специальном формате. В таких случаях, DVD титры будут появляться на экране в их первоначальной форме, независимо от выбранного формата изображения на экране.

- **ЯЗЫК МЕНЮ**

Выберите языка экранного меню.

## Настройка аудио



- **НАСТРОЙКА ДИНАМИКОВ**

- **МИКШИРОВАНИЕ**

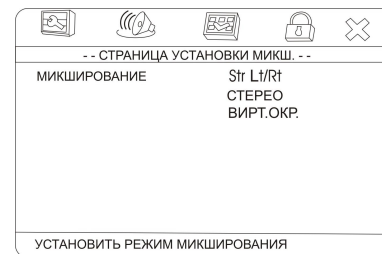
**LT/RT:** во время воспроизведения диска со звуковым эффектом PRO LOGIC Dolby, выберите данную функцию для воспроизведения сигнала с эффектом живого звука.

**Стерео:** Выберите этот пункт, если плеер подключен к обычной стереосистеме.

**Вирт. Окруж.:** если Вы выбрали эту функцию, когда диск воспроизводится с каналов 5.1, звуковой сигнал будет идти из главных динамиков (функция приемлема только для 5.1 CH воспроизведения).

- **НАСТРОЙКА SPDIF**

- **ВЫХОД SPDIF**



**SPDIF ВЫКЛ:** отсутствует цифровой выходной сигнал (оптический или коаксиальный выход отключен), только аналоговый аудио выход через соединители: L, R, LS, RS, центральные динамики, сабвуфер.

**SPDIF/RAW:** цифровой выходной сигнал в оригинальном формате, записанном на диске.

**SPDIF/PCM:** цифровой выходной сигнал в декодированном PCM формате.

**Примечание:** DVD проигрыватель может работать вместе с Dolby Digital и аналогичным звуком, но Вам следует выбрать аналогичный выход, если Вы хотите включить функцию Караоке.

## - ВЫХОД LPCM

### Предпочтения

#### • ТИП ТЕЛЕВИДЕНИЯ

Ваш домашний кинотеатр подходит для всех разновидностей телевизионных систем. Вы можете выбрать PAL, NTSC или Мульти.

**Мульти:** система ТВ автоматически переключается в соответствии с системой, в которой записан диск.

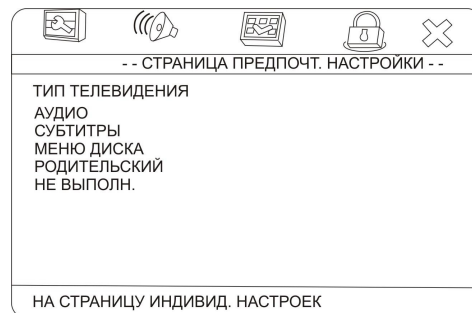
**NTSC:** эта система используется в США, ТАЙВАНЕ, ЯПОНИИ и пр.

**PAL:** эта система используется в КИТАЕ, ЕВРОПЕ, ГОНКОНГЕ и пр.

#### • АУДИО, СУБТИТРЫ, МЕНЮ ДИСКА

Эти параметры могут быть изначально установлены в соответствии с Вашими предпочтениями. Если установленные Вами параметры поддерживаются содержанием диска, то воспроизведение будет происходить с учетом Ваших настроек. Иначе, будут использоваться установки диска, заданные по умолчанию. При воспроизведении эти установки могут быть изменены соответствующими нажатиями кнопок AUDIO и SUBTITLE на пульте ДУ. Установите язык в меню Аудио/ Субтитры/ Диск во время воспроизведения диска.

#### • РОДИТЕЛЬСКИЙ



Эта функция предназначена для контроля родителями за содержанием дисков при их воспроизведении и защищает Ваших детей от сцен насилия и эротики. Диск, уровень которого выше, чем установленный с помощью данной функции, не будет воспроизведен. Установлено 8 цензурных уровней для DVD.

**Примечание:** Данный пункт изменяется, когда выключен режим Пароля 5.1. После установки уровня родительского контроля включите режим Пароля, чтобы подтвердить изменения.

- **НЕ ВЫПОЛНЕН**

Сброс всех установок.

### Установка пароля

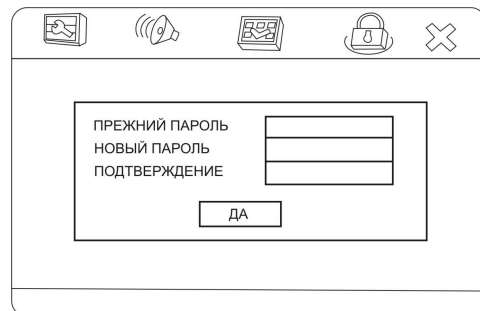
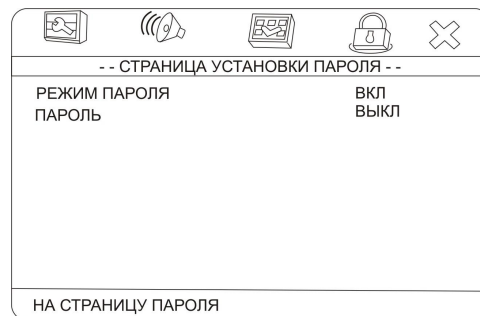
- **РЕЖИМ ПАРОЛЯ**

При включенном режиме пароля Вы не можете выбрать установить РОДИТЕЛЬСКИЙ контроль (Меню ПРЕДПОЧТЕНИЯ) или изменить пароль.

Для изменения РОДИТЕЛЬСКОГО контроля выключите режим пароля.

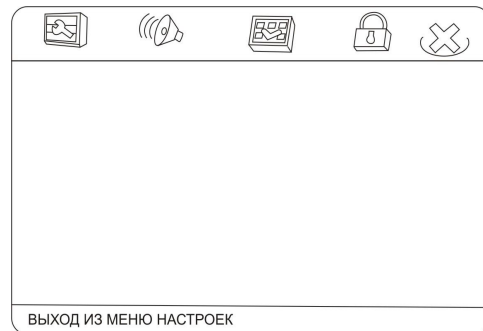
- **ПАРОЛЬ**

Если Вы хотите изменить пароль, при помощи кнопок курсора выберите пункт ПАРОЛЬ => ИЗМЕНИТЬ, введите действующий пароль из 6 цифр в поле пункта СТАРЫЙ ПАРОЛЬ, или значение по умолчанию 136900 (если Вы забыли действующий). Затем перейдите в поле НОВЫЙ ПАРОЛЬ, введите новый пароль, в поле ПОДТВЕРДИТЬ снова введите новый пароль. Нажмите на кнопку ОК, чтобы сохранить новый пароль.



## **ВЫХОД**

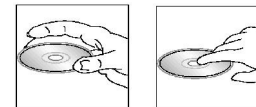
Выход из меню настроек



## Обращение с дисками

---

- Грязные, поцарапанные или погнутые диски могут вызвать искажение звука или шумы.
- Держите диск только за края (как показано на рисунке). Чтобы обеспечить чистоту, не прикасайтесь к его поверхности.
- Диски должны храниться в их чехлах после использования, чтобы не поцарапать их поверхность.
- Не подвергайте диски действию прямого солнечного света, повышенной влажности, повышенным температурам или действию пыли.
- Продолжительное влияние предельных температур может изогнуть диск (например, пребывание дисков в автомобиле в летнее время).
- Не царапайте и не пишите что-либо на любой стороне диска. Острые пишущие инструменты или чернила, используемые в них, могут повредить поверхность диска.
- Не оставляйте никаких следов на рабочей стороне диска.
- Не прикрепляйте этикетки или стикеры к любой стороне диска.



## Чистка и уход

---

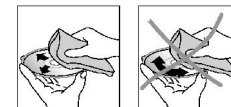
### Чистка корпуса и передней панели

Протирайте мягкой тканью. Если корпус очень загрязнен (не мочите его), используйте мягкую ткань. Если панель загрязнилась или запылилась, протрите ее сухой чистой тканью. Для чистки разъема в задней части панели используйте тампон, смоченный техническим спиртом.

### Чистка дисков

Отпечатки пальцев должны быть тщательно стерты с поверхности диска мягкой тканью. В отличие от обычных пластинок, компакт-диски не имеют канавок для сбора пыли и микроскопических частиц грязи, поэтому их можно легко отчистить мягкой тканью. Вытирайте прямолинейным движением от центра к краю.

Никогда не используйте растворитель, бензин, очиститель пластинок или антистатический аэрозоль для чистки дисков. Такие химические вещества могут повредить его пластиковые поверхности.



## Руководство по устранению неисправностей

Неисправность	Причина	Решение
Нет питания	Зажигание машины не включено.  Сгорел предохранитель.	Если источник питания подключен надлежащим образом к выключателю машины, установите ключ зажигания в положение “ACC”. Замените предохранитель.
Невозможно загрузить диск	В плеер установлен диск.	Удалите диск из плеера, затем установите новый.
Невозможно считать диск	Диск установлен верхней стороной вниз.  Диск загрязнен или имеет дефект.  Температура внутри машины очень высокая.	Установите компакт диск стороной с этикеткой вверх. Очистите диск или установите новый. Подождите, пока температура не станет нормальной.
Нет звука	Звук установлен на минимум.  Кабель не подключен надлежащим образом.	Отрегулируйте звук до необходимого уровня. Проверьте подключение кабеля.
Не действуют кнопки	Встроенный микрокомпьютер не работает надлежащим образом из-за шумов. Передняя панель не установлена на свое место.	Нажмите кнопку POWER и держите в течение 10 секунд, чтобы сбросить настройки.
Звук пропадает	Угол установки устройства более 30 градусов.  Диск загрязнен или имеет дефект.	Отрегулируйте угол установки, установив его менее 30 градусов. Очистите диск или установите новый.
Радио не работает. Не работает автоматический выбор радиостанции	Антенный кабель не подключен. Сигналы слишком слабы.	Вставьте антенный кабель надежно. Выберите станцию вручную.

## Технические характеристики

<b>Общие</b>	
Источник питания:	12 В
Потребляемый ток:	Максимум 15 А
Максимальная выходная мощность:	50 Вт x 4
Форматы воспроизведения:	DVD/SVCD/VCD/HDCD/MP3/MP4/WMA/CDDA/Picture-CD/JPEG/ MPEG4
Поддерживаемые носители:	DVD/DVD±R/DVD±RW/CD/CD-R/CD-RW/USB/SD/MMC
Поддержка USB/SD/MMC:	До 1 Гб
Размеры (Д x Ш x В)/Вес:	178 x 50 x 166 мм/1,55 кг
Функция ESP	40 с для Аудио CD, 120 с для MP3
<b>ЖК дисплей</b>	
Размер дисплея:	3 дюйма
Разрешение:	480 x 234
Формат:	16:9
Контрастность:	450:1
Яркость:	350 кд/м <sup>2</sup>
Система цвета:	PAL/NTSC/SECAM
Угол обзора:	В: 110 <sup>0</sup> , Г: 160 <sup>0</sup>
<b>Сtereo FM радио</b>	
Частотный диапазон:	65.0 – 74.0 / 87.5 – 108.0 МГц
Используемая чувствительность:	10 дБ
Память цифрового тюнера:	18 станции
Уровень сигнал/шум:	55 дБ (моно)
Разделение:	30 дБ (65 дБ, 1 КГц)
<b>MW (AM) радио</b>	
Частотный диапазон:	522 – 1620 КГц
Память цифрового тюнера	12 станций
<b>DVD плеер</b>	

Уровень сигнал-шум:	Более чем 70 дБ (1 КГц)
Динамический диапазон:	Более чем 80 дБ (1 КГц)
Искажение	Менее чем 2 %
<b>Линейный выход</b>	
Выход	2 линейных RCA-выхода (2В)

**Технические характеристики могут быть изменены заводом-изготовителем без предварительного уведомления. Указанные масса и геометрические размеры имеют приблизительные значения.**





## Free Manuals Download Website

<http://myh66.com>

<http://usermanuals.us>

<http://www.somanuals.com>

<http://www.4manuals.cc>

<http://www.manual-lib.com>

<http://www.404manual.com>

<http://www.luxmanual.com>

<http://aubethermostatmanual.com>

Golf course search by state

<http://golfingnear.com>

Email search by domain

<http://emailbydomain.com>

Auto manuals search

<http://auto.somanuals.com>

TV manuals search

<http://tv.somanuals.com>