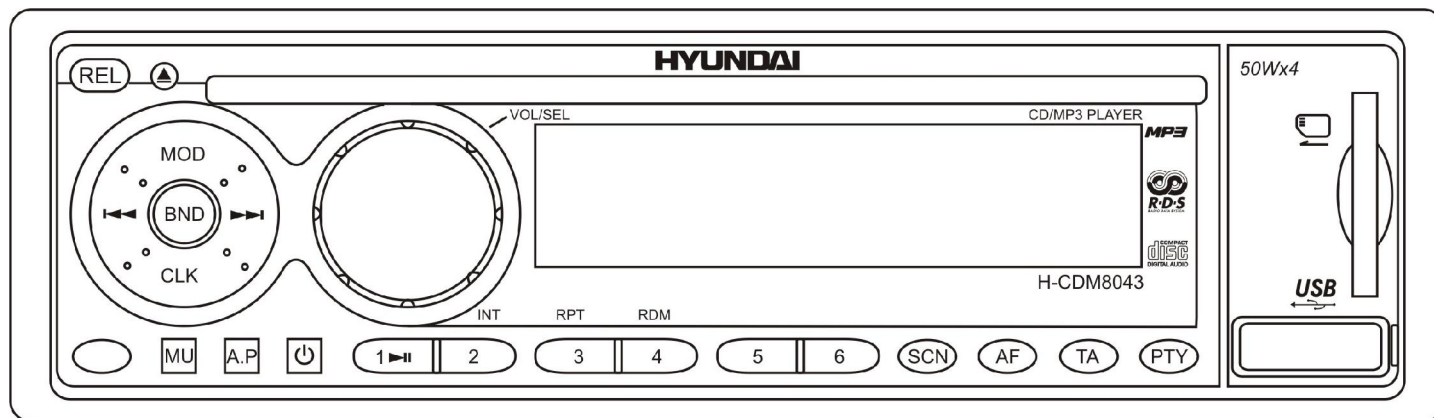


HYUNDAI

H- CDM8043



CD/MP3 RECEIVER
Instruction manual

CD/MP3 РЕСИВЕР
Руководство по эксплуатации

Dear customer!

Thank you for purchasing our product. For safety, it is strongly recommended to read this manual carefully before connecting, operating and/or adjusting the product and keep the manual for reference in the future.

Table of contents

Table of contents	2
Important safeguards	3
Installation/ connection.....	4
Panel controls	9
General operation	13
Digital tuner	18
CD/ SD/ MMC/ USB operations.....	22
MP3 overview	26
Anti-theft system	28
Handling discs	29
Cleaning	29
Troubleshooting guide	30
Specification.....	31

Important safeguards

- Using the device at temperature below -10°C may cause the breakage of the device. BEFORE USING PLEASE HEAT UP THE PASSENGER COMPARTMENT TO THE RECOMMENDED TEMPERATURE!
- Read carefully through this manual to familiarize yourself with this high-quality sound system.
- Disconnect the vehicle's negative battery terminal while mounting and connecting the unit.
- When replacing the fuse, be sure to use one with an identical amperage rating. Using a fuse with a higher amperage rating may cause serious damage to the unit.
- DO NOT attempt to disassemble the unit. Laser beams from the optical pickup are dangerous to the eyes.
- Make sure that pins or other foreign objects do not get inside the unit; they may cause malfunctions, or create safety hazards such as electrical shock or laser beam exposure.
- If you have parked the car for a long time in hot or cold weather, wait until the temperature in the car becomes normal before operating the unit.
- DO NOT open covers and do not repair yourself. Consult the dealer or an experienced technician for help.
- Make sure you disconnect the power supply and aerial if you will not be using the system for a long period or during a thunderstorm.
- Make sure you disconnect the power supply if the system appears to be working incorrectly, is making an unusual sound, has a strange smell, has smoke emitting from it or liquids have got inside it. Have a qualified technician check the system.
- The unit is designed for negative terminal of the battery, which is connected to the vehicle metal. Please confirm it before installation.
- Do not allow the speaker wires to be shorted together when the unit is switched on. Otherwise it may overload or burn out the power amplifier.
- Do not install the detachable panel before connecting the wire.

Installation/ connection

Attention:

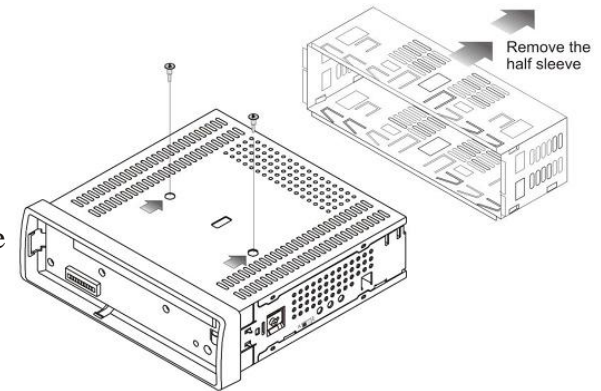
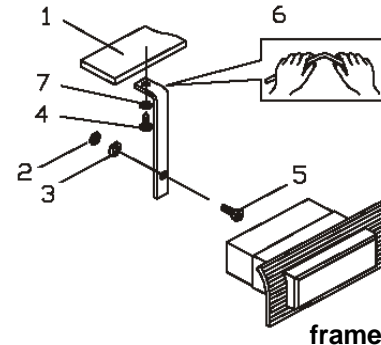
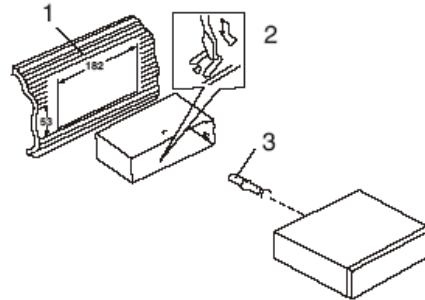
REMOVE THE TRANSPORT CD STOPPER (2 SCREWS)
BEFORE USE.

Din front-mount (method 1)

- After inserting the holder into the dashboard, select the appropriate tab and bend them inwards to secure the holder in place.
- Insert fingers into the groove in the front of frame and remove it.
- Insert the levers supplied with the unit to the grooves at both sides.

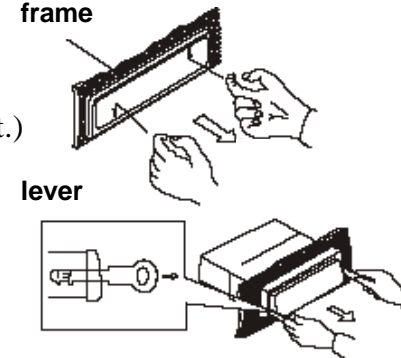
The unit can be installed or removed from the dashboard.

1. Dashboard
2. Nut (5mm)
3. Spring washer
4. Screw (5 x 25mm)
5. Screw
6. Strap
7. Plain washer



Removing the unit

- Insert fingers into the groove in the front of frame and pull out to remove the frame. (When reattaching the frame, point the side with a groove down wards and attach it.)
- Insert the levers supplied with the unit into the grooves at both sides of the unit as shown in figure until they click. Pulling the levers makes it possible to remove the unit from the dashboard.



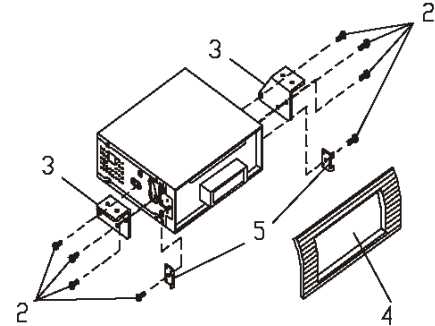
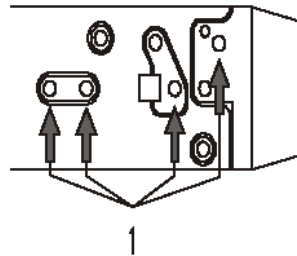
Din rear-mount (method 2)

Installation using the screw holes at both sides of the unit.

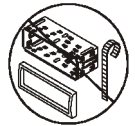
1. Select a position where the screw holes of the main unit are fitted for aligned, and tighten the screws at 2 positions at each sides.

Use either truss screws (5 x 8mm) or flush surface screws (4 x 8mm), depending on the shape of the screw holes in the bracket.

2. Screw.
3. Factory radio mounting bracket.
4. Dashboard or Console.
5. Hook (Remove this parts).



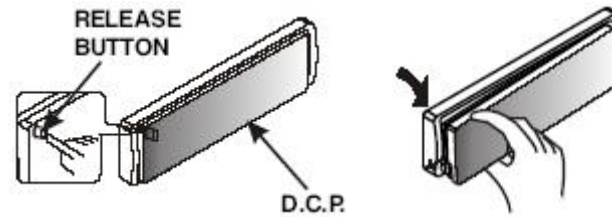
Note: The mounting box, outer trim ring, and the half-sleeve are not used for this method of installation.



Detachable control panel

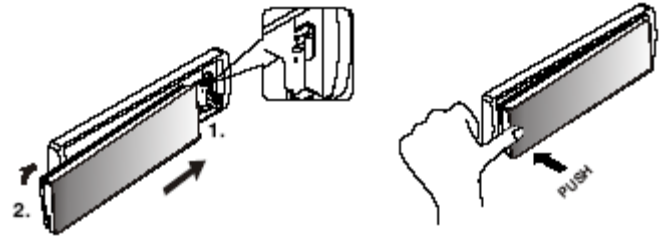
Detaching the control panel

- Turn the Power off.
- Press the panel release button REL.
- Remove the control panel.



Attaching the control panel

- Insert the right side of the control panel into the main unit.
- Note:** the control panel must be attached into the T-Joint.
- Press the control panel on to the left side of middle of it until a “click” sound is heard.



Caution:

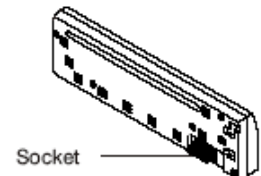
DO NOT insert the control panel from the left side. It can damage the control panel.

The control panel can easily be damaged by shocks. After removing it, place it in a protective case and be careful not to drop it or subject it to strong shocks.

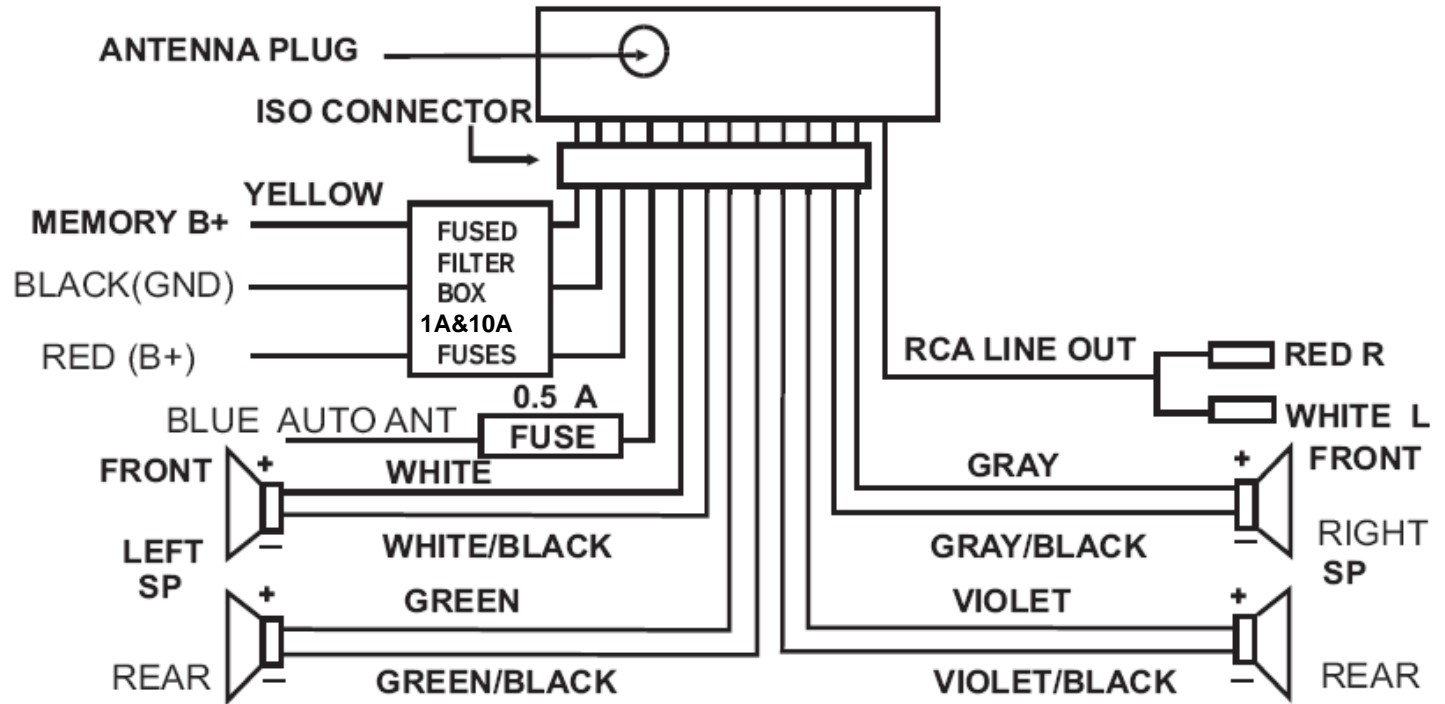
The rear connector that connects the main unit and the control panel is an extremely important part. Be careful not to damage it by pressing on it with fingernails, pens, screwdrivers, etc.

Note:

If the control panel is dirty, wipe off the dirt with soft, dry cloth only. And use a cotton swab soaked in isopropyl alcohol to clean the socket on the back of the control panel.



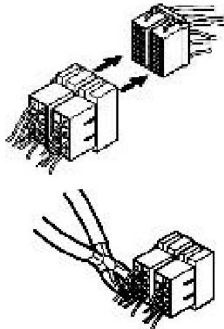
Electrical connection



Do not interchange the connection of the wiring!!!

For some car models you may need to modify wiring of the supplied power cord. Contact your authorized car dealer before installing this unit.

Using the ISO Connector



1. If your car is equipped with the ISO connector, then connect the ISO connectors as illustrated.

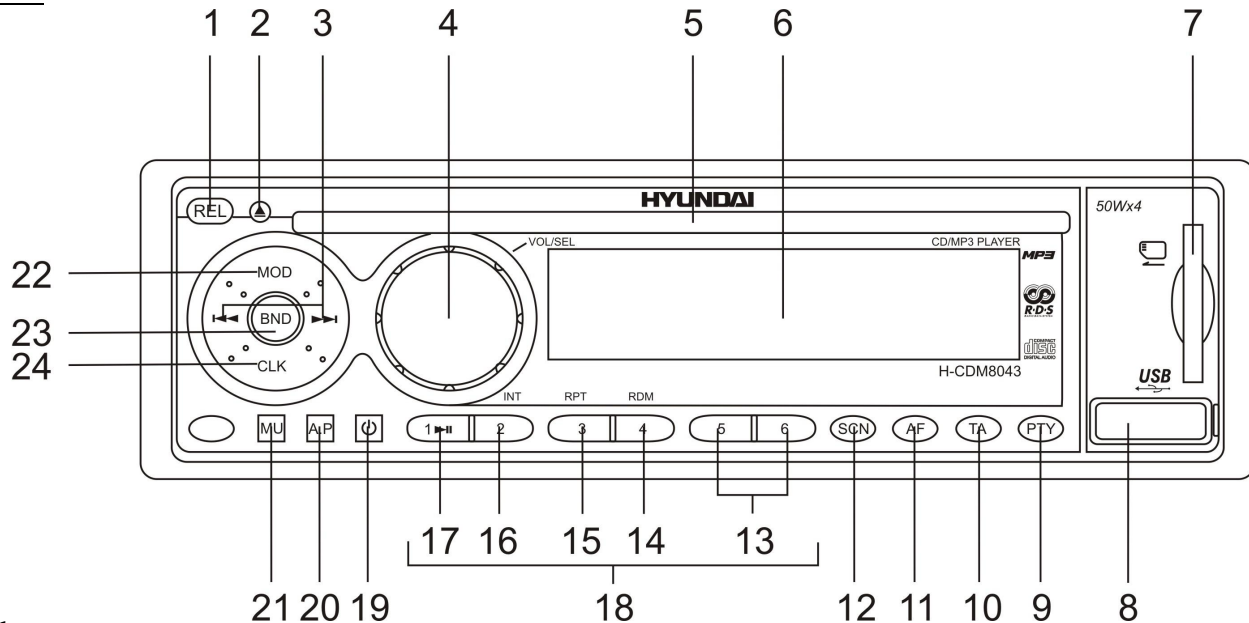
2. For connections without the ISO connectors, check the wiring in the vehicle carefully before connecting, incorrect connection may cause serious damage to this unit.

Cut the connector, connect the colored leads of the power cord to the car battery as shown in the color code table below for speaker and power cable connections.

Location	FUNCTION	
	Connector A	Connector B
1		Rear Right(+)--Purple
2		Rear Right(--Purple/Black Stripe
3		Front Right(+)--Gray
4	Battery 12V (+)/yellow	Front Right(--Gray/Black Stripe
5	Auto Antenna/blue	Front Left(+)--White
6		Front Left(--White/Black Stripe
7	ACC+/red	Rear Left(+)--Green
8	Ground/black	Rear Left(--Green/Black Stripe

Panel controls

Front panel



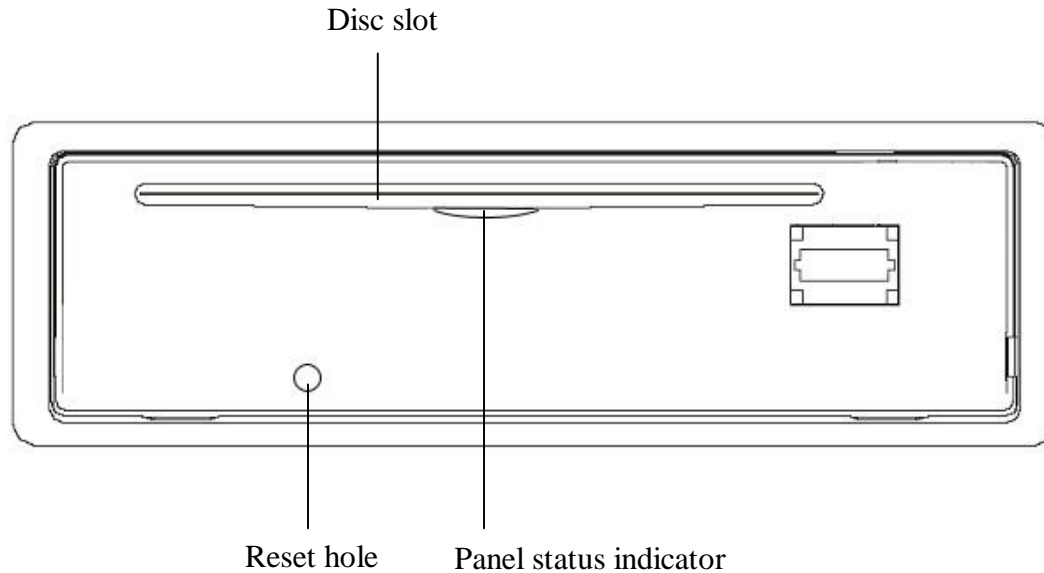
1. REL button
Press it to detach the front panel.
2. EJECT button
Press it to eject the disc.
3. PREVIOUS ◀◀/ NEXT ▶▶ buttons
Use these buttons to search for the beginnings of the next/ previous tracks or automatic skip forward/ backward or automatic/ manual seek tuning.

4. VOLUME knob/ SEL button
Rotate VOL button clockwise to increase the volume level; rotate anticlockwise to decrease the volume level.
Press SEL button to set the characteristics: TA, PI, RETUNE, MASK, BEEP, SEEK, DSP, LOUD, STEREO, DX/LOCAL, VOL, ESP.
5. Disc slot.
6. LCD (LIQUID CRYSTAL DISPLAY).
7. SD/ MMC card slot.
8. USB socket.
9. PTY button
During radio status, press it to activate PTY function.
10. TA button
Press it to activate the TA function.
11. AF button
Press it to select the RDS station.
12. SCN button
Press this button to scan the channels up one by one with station detection.
13. 5, 6 buttons
Use these buttons to go the 10 tracks up/ down.
14. RDM button
Press it to start random playing.
15. RPT button
Use this button to play current/ all tracks repeatedly.
16. INT button
Press it to start intro playing (10 seconds).

17. **PLAY/ PAUSE** button
Use this button to play or pause playback. Under the pause status, press it to play.
18. **PRESET STATION [1-6]** buttons
19. **POWER** button
Press **POWER** button to turn the power on, press again to turn the power off.
20. **A.P** button
In radio mode press this button to perform all stations in memory for 5 seconds each time or in MMC/SD/USB mode press it repeatedly to select **TRACK** or **DIRECTORY** search.
21. **MU** button
Press it to cut down the volume output, press it again to resume volume.
22. **MOD**
Press to select radio mode or playback mode.
23. **BND**
Press it repeatedly to select your desired radio band during **RADIO** mode.
24. **CLK**
Use this button to set the time or to show the time on display during **CD/MMC/SD/USB** mode.

Back of the front panel

Press the REL button to open the panel.



Note: Pressing the RESET hole will erase the clock setting and stored stations.

Panel status indicator lights up when you slide the panel down; flashes when you remove the panel.

General operation

Reset the unit

Operating the unit for the first time or after replacing the car battery, you must reset the unit.

Press REL button on the panel to open the panel and press the RESET hole with a point object to restore the unit to the original factory settings.

Power button

Press any button except EJECT and REL or insert the disc, USB or SD/ MMC card to turn the unit on. Press and hold for 0.5 seconds the POWER button to turn the unit off.

Press it to switch the set off.

Note: After the unit is off, the volume and radio settings will be memorized and will revert to it when the unit is on.

Volume control

Volume adjust

Rotate the VOLUME knob on the panel to adjust the volume level.

Setting the sound characteristics

Press shortly and repeatedly the SEL button to select the audio setting: VOL, BAS, TRB, BAL, FAD. Rotate the VOLUME knob to adjust the setting.

Note:

- If turning off the power all the settings of each mode will be saved.
- If turning off the ACC power all the settings will become as they were set on the plant as current.
- If you don't adjust VOLUME knob within 3 seconds after selecting the desired setting, the unit will automatically return to the current mode being displayed.

Setting other characteristics

During FM mode, keep pressing and holding for more than 2 seconds the SEL button to turn the setting TA on, then press it shortly and repeatedly to select other settings: PI, RETUNE, MASK, BEEP, SEEK, DSP, LOUD, STEREO, DX/LOCAL, VOL.

a. TA (Traffic Announcement) mode

To determine what action will the radio take if the newly tuned station does not receive TP (Transport Program) information for 5 seconds. Rotate the VOLUME knob to select the desired mode: TA ALARM and TA SEEK.

- TA SEEK

When newly tuned station does not receive TP information for 5 seconds, the radio retunes to next station which has not the same station (PI – Program Information) as the last station, but has the TP information. When TP information gets lost at the current station for retune time which is set by RETUNE SHORT (60 seconds) or RETUNE LONG (90 seconds), the radio starts to retune to next same PI station. When same PI station does not catch in 1 cyclic search, the radio retunes to next station with TP information.

- TA ALARM

During searching the radio does not retune but the double beep sound (alarm) is output.

b. PI mode

“PI” is referred to “Different PI (Program Information) with same AF (Alternative Frequency)”.

If a car cruises that critical area back and forth, an oscillation phenomenon can be occurred, because the different PI code can be receive from a same AF. You can select PI SOUND or PI MUTE.

- PI SOUND

When above different PI sound (DIP) is heard once in a while, the DIP's sound will be heard for less than 1 second.

- PI MUTE

Under above same situation, a mute sound will be heard for less than 1 sec.

c. Retune mode

To determine the initial time of automatic TA (Traffic Announcement) search.

There are 2 modes: RETUNE L and RETUNE S.

- RETUNE L: 90 seconds.
- RETUNE S: 30 seconds.

Note: Retune mode is active for TA SEEK mode only.

d. Mask mode

During AF search, PI stations and non-RDS (Radio Data Station) stations with strong signal will be masked, in the latter case, the non-RDS stations may cause interference, resulting the real AF to be masked due to the misjudgment of the radio under interference. Rotate the VOLUME knob to select the desired mode: MASK DPI M and MASK ALL.

- MASK DPI

To mask only the AF with different PI.

- MASK ALL

To mask both PI and strong signal non-RDS station.

e. Beep mode

There are 3 modes: BEEP 2nd, BEEP ALL and BEEP OFF.

- Beep 2nd: the beep is only generated when an allotted double key is pressed long (1 sec)..
- BEEP ALL: enable audible beep tone when any function is accessed.
- BEEP OFF: disable audible beep tone when any function is accessed.

f. Seek mode

You can choose from Seek tuning mode 1 and mode 2.

While the desired Seek tuning mode is selected, the following operations can be performed:

- SEEK1: Press and hold the ►► / ◄◄ button to seek the band in up or down direction and stop when a station is received.

- SEEK2: Press and hold the ►► / ◄◄ button increase or decrease the frequency rapidly until the button is released, the different between the same operation at Seek 1 mode is that this time the radio will not stop at any station.
- g. DSP mode
Select the following modes of the equalizer: OFF => FLAT => POP M => CLASSICS => ROCK.
- h. Loud mode
This function increases the low frequency, which can improve sensitivity for your ears.
Select the mode: LOUD ON, LOUD OFF.
- i. Stereo mode
Use this mode to select STEREO or MONO reception for FM radio stations. You can sometimes improve reception of distant stations by selecting MONO mode.
- j. Local/ distant mode
Use this mode to change between LOCAL and DISTANT (DX) tuning mode. Local mode improves reception in some areas where the signal is too strong.
- k. Volume mode
Select the mode: VOL LAST/ ADJUST.
- l. ESP mode (Electronic Shock Protection)
You can select the second of ESP as follow:
 - ESP 40 second: for normal road condition.
 - ESP 120 second: for road condition extremely unusual.

Turning the sound off

Press the MU button to turn the sound off. Press it again or press the MODE, BAND, rotate VOLUME knob, press the SEL button to turn the sound on.

Mode setting

Press the MOD button to select RADIO, DISC, CARD (after inserting the SD/MMC card), USB (after inserting the USB card) modes.

If you select RADIO mode, press BND button once or more to select: FM1, FM2, FM3, AM1, AM2.

Display operations

Press the CLK button shortly and repeatedly to show the following information on display:

- In case of receiving a RDS station: PS NAME => CLOCK => FREQUENCY => PTY;
- In CD/SD/MMC/USB mode: time for 5 seconds;
- In case of receiving a non RDS station: FREQUENCY => CLOCK => PTY;

Each displaying time is 5 sec, and returns to 1'st position after 5 seconds.

Setting the time

Press and hold for 1 second the CLK button to flash time and then rotate the VOLUME knob to adjust it.

Digital tuner

Note: RDS (Radio Data System) service availability varies with areas. Please understand if RDS service is not available in you area, the following service is not available, either.

Band selection

Press POWER to power on, then press the MOD button to select RADIO.

Press BND once or more to select: FM1, FM2, FM3, AM1, AM2.

Manual/ automatic tuning

- Manual tuning: press the ◀◀/ ▶▶ repeatedly to select a station downward or upward step by step.
- Automatic tuning: Press and hold for more than 1 second the ◀◀/ ▶▶ buttons, the automatic search will start. It will play when finds the station.

Programming tuner stations

You can store up to a total of 30 radio stations in the memory (18 FM, 12 AM), manually or automatically.

- To store a station:
 - Select a band (if needed)
 - Select a station by ◀◀/ ▶▶ buttons
 - Hold a Preset button (1-6) which you want store the station for at least 2 seconds.
- To recall a station:
 - Select a band (if needed)
 - Press a Preset button (1-6) briefly to recall the stored station

OR:

During radio mode press the ◀◀/ ▶▶ buttons to select downward or upward stored stations.

A.P function (Auto storage/ Preset memory scan)

- Preset scan: press A.P button for less than 1 second to scan all preset stations in the memories of the current band and stay on each memory stations for about 5 seconds. The memory location indicator on the LCD will flash during the process. To stop preset scan, press A.P button again.
- Auto memory store: press A.P button for more than 2 seconds to enter auto store mode. The radio will automatically store 6 stations to the 6 preset memories of the current band. To stop auto store, press A.P button again. When the auto-storage operation is completed, it will automatically perform for 5 seconds each time. After finishing 1 loop of memory scan, it will listen to the first memory station in the current band.

Scan function

Press it to scan up by one channel step with station detection. If a valid signal has detected, the current frequency is blinked within 5 seconds, then press it again to stop scan and remain the current frequency; otherwise, the unit continue to scan up by one channel step with station detection 5 seconds later.

AF function (Alternative Frequencies)

- AF mode: Press AF button shortly to turn on or turn off the AF function. If the AF function is on the display will show “AF”. When AF switching mode is selected, but RDS information is not received yet the “AF” will be flashing.
The RDS program will be automatically searched and received. After turning on, if the RDS signal is weak or even no signal, the unit will search another frequency with this RDS program.
- Region mode: Press and hold AF button for one second, the unit will be under REGION ON or REGION OFF mode:
 - REGION ON: PI code will be searched during AF searching. The display will show “REG ON”.
 - REGION OFF: PI code and covered area will not be searched.

PTY (Program Type) function

Press PTY the first time, then press the number buttons, you can select the music program style.

Press PTY the second time, then press the number buttons, you can select the language program style.

To choose the desired program style use the following table:

Button Number	Music Group	Speech Group
1	POP, ROCK	NEWS, AFFAIRS, INFO
2	EASY, LIGHT	SPORT, EDUCATE, DRAMA
3	CLASSICS, OTHER M	CULTURE, SCIENCE, VARIED
4	JAZZ, COUNTRY	WEATHER, FINANCE, CHILDREN
5	NATION, OLDIES	SOCIAL, RELIGION, PHONE IN
6	FOLK	TRAVEL, LEISURE, DOCUMENT

When PTY is selected, the radio starts to search corresponding PTY information, and stops if the corresponding PTY information is detected.

If there are no keys entered for 2 seconds, previously selected PTY is searched. During 1 loop, if desired PTY is not found, NO PTY is flashed, then return to previous normal radio and PTY word disappears.

Press PTY button for the 3rd time to switch the PTY function off.

TA (Traffic Alarm) function

- TA mode: Press the TA button shortly to select TA ON or TA OFF mode. In TA mode (LCD shows TA) traffic program will be automatically searched (LCD shows TA SEEK), the program is received.
 - If the unit is in CD/ MMC/ SD/ USB mode, it will switch to radio mode temporarily.
 - Temporarily switch over to an EON linked station when EON detects a traffic announcement on that other program, and TP will be displayed on LCD.

Note: If volume level is below 20, volume level is raised to 20, and returns to its previous mode and volume level when the traffic announcement is over.

If volume is adjusted during traffic announcement, only the traffic announcement volume is valid.

TA interruption function: the current traffic announcement is cancelled by pressing the TA key. But the TA mode will not be off.

Note: When TA is on, SEEK, (SCAN), AUTO MEMORY function can be received or saved only when traffic program identification code has been received.

When TA is ON, traffic program identification code is not received during specified time.

- EON – TA LOCAL/ EON – TA DISTANCE mode: The purpose of this key is to reduce unwanted EON TA switching, which EON TA information was received from current station and the radio switched to that EON linked station, but no information could not be received because the EON linked station is located too far from that area. So the radio is switched back to current station again. In above operation, a customer listen to a wrong program or mute sound for a while. Use this mode to change between LOCAL and DISTANT tuning mode.
 - EON TA LOCAL: When the filed strength level of EON linked is less than the threshold level, the radio does not switch that station, and any disturbances will be hardly heard.
When EON TA LOCAL mode is selected, "EON TA LO" on numeric display is indicated for a few seconds.
 - EON – TA DISTANCE: EON TA switching is tried to implement by the information of current station.
When EON-TA DISTANCE mode is selected, "EON TA DX" on numeric display is indicated for a few seconds.

Note: The initial mode is DISTANCE mode.

LOCAL mode is functional only in selecting and memorizing stations.

CD/ SD/ MMC/ USB operations

Loading a disc

1. Insert the disc with the printed side facing upward into the slot.
2. Press EJECT button to eject the disc.

Inserting the SD/ MMC card/ USB device

Insert the MMC/ SD card or USB device into MMC/ SD compartment or USB socket. Then the playing mode will be changed into MMC/ SD or USB mode and display will show CARD or USB.

The first card/ USB device track playback will start.

Note: When MMC/ SD card and USB device are both inserted into their compartment or socket, the playing mode will be changed into the mode of the latter one.

USB/SD/MMC notes:

USB functions (flash memory type) MP3 music play

1. SD/ MMC card support.
2. USB flash memory 2in1 (SD/ MMC) support.
3. FAT 12/ FAT 16/ FAT 32 is possible
 - FAT 12/16 (dir: 200 support, file:500 support),
 - FAT 32 (dir: 200 support, file:500 support).
4. Filename: 32 byte/ Dir name: 32byte.
5. Tag (id3tag ver2.0)
 - Title/ Artist/ Album: 32 byte support.
6. Multi card reader not support.
7. USB 2.0 support.

Note:

USB format supports 2.0.

Capacity: 8 MB ~ 512 MB.

SD cards brands: Cannon, Fuji film, Palm, Motorola, Microsoft, IBM, HP, Compaq, Sharp, Samsung, etc.

Capacity: 8 MB ~ 512 MB.

MMC cards brands: Ericsson, Nokia, Motorola, HP, Palm, Sanyo, Microsystems, etc.

Capacity: 16 MB ~ 512 MB.

Playing/ pausing

When the disc/ card/ USB device has been already loaded the playback of the first track starts automatically.

To ensure good system performance, wait until the unit finishes reading the disc information before proceeding.

Press the PLAY/ PAUSE button to pause the playback. Press again to resume the playback.

Press it and hold for more than 1 second to play the first track of the CD/ SD/ MMC/ USB.

Playing the previous/ next track

1. During playback press ◀◀ button to play the current track from the beginning. Press it again to play the previous track.
2. Press ▶▶ button to play the next track.
3. Press the 5, 6 buttons to play the 10 track up/ down.

Scanning forward and backward

Press the ◀◀ or ▶▶ buttons to fast the playing in backward or forward direction.

Note: During the disc playback when Fast/ Reverse Playback gets to the beginning of the playing another track, it resumes normal playback.

Repeat playing

1. During the SD/ MMC/ USB playback press the RPT button to repeat current track. The display shows M-RPT.
2. During the CD/ MP3/ WMA playback press the RPT button to repeat the current track. The display shows S-RPT.
3. During any playback press and hold it for 2 seconds to repeat the current folder playback. The display shows D-RPT.
4. Press it again to cancel the function.

Random playback

1. During the SD/ MMC/ USB playback press the RDM button to start random playback of all the tracks. The display shows M-RDM.
2. During the CD/ MP3/ WMA playback press the RDM button to start random playback of all the tracks. The display shows S-RDM.
3. During any playback press and hold it for 2 seconds to start random playback of the tracks in current folder. The display shows D-RDM.
4. Press it again to cancel the function.

Intro play

You can play the beginning of every track for 10 seconds in sequence.

1. During the SD/ MMC/ USB playback press the INT button to start intro play of all the tracks. The display shows M-INT.
2. During the CD/ MP3/ WMA playback press the INT button to start intro play of all the tracks. The display shows S-INT.

3. During any playback press and hold it for 2 seconds to start intro play of the tracks in current folder. The display shows D-INT.
4. Press it again to cancel the function.

Inserting the number of track

1. Press the number buttons to input the desired tracks.
2. Use the 5 button to go backward to the tenth track before the current track, for example: current track is 32. Press 5 to go to No.30 track.
Use the 6 button to go forward to the tenth track after the current track, for example: current track is 32. Press 6 to go to No. 40 track.
3. Use the ◀◀ or ▶▶ buttons to go to the previous/ next track by one.

Search function

- In MMC/ SD or USB mode, press A.P button repeatedly to select TRACK SEARCH or DIRECTORY SEARCH mode.
- In MP3/ WMA disc mode, press A.P button repeatedly to select TRACK SEARCH, CHARACTER SEARCH or DIRECTORY SEARCH mode.

Track search

In TRACK SEARCH mode of MMC/ SD, USB or MP3/ WMA disc, the LCD will display MP3/ WMA T 000 and flash the biggest digit 0 that the MMC/ SD card, USB bar or MP3/ WMA disc contain.

1. Rotate VOLUME knob to select the number of the flashing digit from 0 ~ 9.
2. Press SEL button to confirm the number and flash next smaller digit 0. With the same means, select the number of the flashing digit.
3. After finishing selecting the number of all flashing digit, press SEL button to play the track of the selected number.

Directory search

In DIRECTORY SEARCH mode of MMC/ SD, USB or MP3/ WMA disc, the LCD will display the root folder (if there is not the root folder, it will found a root folder named ROOT).

1. Rotate VOLUME knob to select your desired folder.
2. Press the ◀◀ or ▶▶ button to select your desired track in the folder.
3. Press SEL button to play the selected track.

Character search

In CHARACTER SEARCH mode of MP3/ WMA disc, the LCD will display A--....., if there are files names its first character are A, the is the first file name its first character is A by the order of A~Z and 0~9; otherwise, the is NONE.

1. Rotate VOLUME knob to select files first character by the order of A~Z and 0~9.
2. Press ◀◀ or ▶▶ button to select one file its first characters is the selected one.
3. Press SEL button to play the selected file.

MP3 overview

Notes on MP3:

- MP3 is short for MPEG Audio Layer 3 and refers to an audio compression technology standard.
- This product allows playback of MP3 files on CD-ROM, CD-R or CD-RW discs.
- The unit can read MP3 files written in the format compliant with ISO 9660. However it does not support the MP3 data written by the method of packet write.
- The unit can not read an MP3 file that has a file extension other than “.mp3”.
- If you play a non- MP3 file that has the “.mp3” extension, you may hear some noise.
- In this manual, we refer to what are called “MP3 file” and “folder” in PC terminology as “track” and “album”, respectively.

- Maximum number of directory level is 8, including the root directory. Maximum number of files and folders per disc is 256.
- The unit may not play tracks in the order of Track numbers.
- The unit plays only the audio tracks if a disc contains both audio tracks and MP3 files.
- When playing a disc of 8 kbps or “VBR”, the elapsed playing time in the display window will not be correct and also the intro play may not function properly. “VBR”: Variable Bit Rate.

Notes on creating your own CD-R or CD-RW containing MP3 files:

- To enjoy high quality sound, we recommend converting to MP3 files with a sampling frequency of 44.1 kHz and a fixed bit rate of 128 kbps.
- DO NOT store more than 256 MP3 files per disc.
- For ISO 9660 - compliant format, the maximum allowable depth of nested folders is 8, including the root directory (folder).
- When CD-R disc is used, playback is possible only for discs, which have been finalized.
- Make sure that when MP3 CD-R or CD-RW is burned that it is formatted as a data disc and NOT as an audio disc.
- You should not write non-MP3 files or unneeded folders along with MP3 files on the disc otherwise it takes a long time until the unit starts to play MP3 files.
- With some CD-R or CD-RW media, data may not be properly written depending on its manufacturing quality. In this case, data may not be reproduced correctly. High quality CD-R or CD-RW disc is recommended.
- Up to 16 characters are displayed for the name of an Album or a Track. ID3TAG version 1.x is required.
- Note that the unit may not play Tracks in the order that you wrote them to the disc.

Anti-theft system

Remove the panel

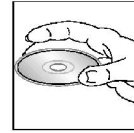
1. Press POWER button to switch off the power of the unit.
2. Press REL button to flip down the panel.
3. Hold the middle of the panel. Take off one end, and then take off the other end.
4. Place the panel into the case and take it with you when you leave the car.

Remove the unit

1. Remove the panel and the trim plate.
2. Insert both T-Keys into hole on the front of the set until they lock.
3. Pull out the unit.

Handling discs

- Dirty, scratched or warped discs may cause skip ping or noise.
- Handle the disc only by the edges. To keep clean do not touch its surface.
- Discs should be stored in their cases after use to avoid scratches.
- Do not expose discs to direct sunlight, high humidity, high temperature or dust.
- Prolonged exposure to extreme temperature can warp the disc (such as leaving the discs in your car during summertime).
- Do not stick or write anything on either side of disc. Sharp writing instruments, or the inks used in some felt-tip pens, may damage its surface.
- DO NOT touch the unlabeled side. DO NOT attach any seal, label or data protection sheet to either side of a disc.



Cleaning

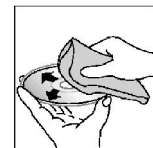
Cleaning the cabinet

Wipe with a soft cloth. If the cabinet is very dampen (not dropping wet) the cloth with a weak solution of soapy water, and then wipe clean.

Cleaning discs

Fingerprints should be carefully wiped from the surface of disc with a soft cloth. Unlike conventional records, compact discs have no grooves to collect dust and macroscopic dirt, so gently wiping them with a soft cloth should remove most panicles. Wipe in a straight motion from the center to the edge.

Never use thinner benzine, record cleaner or anti static spray on a compact disc. Such chemicals can damage its plastic surface.



Troubleshooting guide

Symptom	Cause	Solution
General No power	The car ignition is not on. The fuse is blown.	If the power supply is properly connected to the car accessory switch the ignition key to "ACC". Replace the fuse.
Disc Disc cannot be loaded.	Presence of disc inside the player.	Remove the disc in the player then put a new upward.
Disc cannot be read.	Inserting the disc in upside down. Compact disc is extremely dirty or defective. Temperature inside the car is too high.	Insert the compact disc with the label facing upward. Clean the disc or try to play a new one. Cool off until the ambient temperature returns to normal.
No sound	Volume is in minimum. Wiring is not properly connected.	Adjust volume to a desired level. Check wiring connection.
The operation keys do not work.	The built-in microcomputer is not operating properly due to noise. Front panel is not properly fix into its place.	Press the RESET button. Reinstall the front panel.
Sound skips.	The installation angle is more than 30 degrees. The disc is extremely dirty or defective.	Adjust the installation angle to less than 30 degrees. Clean the compact disc/try to play a new one.

The radio does not work, the radio station automatic selection does not work.	The antenna cable is not connected the signals are too weak.	Insert the antenna cable firmly select a station manually.
---	--	--

Specification

General	
Power supply:	12 V DC
Current consumption/Fuse:	max. 10 A/ 10 A
Maximum power output:	50 W x 4 channels
Dimensions (L x W x H):	218 x 83 x 285 mm
Working temperature range:	-10°C - +60°C
FM Stereo Radio	
Frequency range:	87.5 - 108.0 MHz
Usable sensitivity/ I.F. Frequency:	3 uV/ 10.7 MHz
Preset memory stations:	30
MW section	
Frequency range:	522 kHz - 1620 kHz
Audio specification	
Maximum output:	2 Vrms (+/- 3 dB)
Frequency response:	10 Hz to 20 KHz
S/N ratio(A-vtd):	50 dB
DSP sound effect:	Classic, Rock, Pop, Flat
Line out	
Output:	CD max 2000 mV

Specifications are subject to change without notice. Mass and dimension are approximate.

Уважаемый покупатель!

Благодарим Вас за покупку нашего изделия. Для обеспечения безопасности рекомендуется тщательно изучить настоящее руководство перед подключением, эксплуатацией и/или регулировкой изделия, и сохраняйте руководство для использования в будущем.

Содержание

Содержание.....	32
Меры предосторожности.....	33
Установка/ подключение.....	34
Органы управления	39
Основные операции.....	43
Цифровой тюнер.....	48
Воспроизведение файлов CD/ MP3/ USB.....	52
Обзор MP3	56
Система против кражи	59
Обращение с дисками.....	60
Чистка и уход.....	61
Руководство по устранению неисправностей.....	62
Технические характеристики	63

Меры предосторожности

- Использование данного устройства при температуре ниже -10°C может привести к поломке. ПЕРЕД ИСПОЛЬЗОВАНИЕМ ПРЕДВАРИТЕЛЬНО ПРОГРЕЙТЕ САЛОН АВТОМОБИЛЯ ДО РЕКОМЕНДОВАННОЙ ТЕМПЕРАТУРЫ!
- Тщательно изучите настоящую инструкцию, чтобы ознакомиться с высококачественной аудиосистемой.
- При установке и подключении изделия отключите отрицательную клемму аккумулятора автомобиля.
- При замене предохранителя, убедитесь, что вы устанавливаете предохранитель с тем же номиналом. Используя предохранитель с повышенным значением тока, можно причинить значительные повреждения изделию.
- Не пытайтесь разбирать изделие. Лазерные лучи, исходящие из блока оптической головки считывания информации с компакт-диска, опасны для глаз.
- Убедитесь, что шпильки или другие посторонние предметы не попали внутрь изделия. Они могут вызвать сбой в работе или стать причиной опасности, такой, как поражение электрическим током или лазерным лучом.
- Если вы ставите автомобиль на стоянку на длительное время в жаркое или холодное время года, подождите, пока температура в автомобиле не станет нормальной, перед тем как включать изделие.
- НЕ открывайте крышки и не проводите ремонт самостоятельно. Обратитесь к дилеру или квалифицированному персоналу
- Убедитесь, вы отключаете источник питания и антенну, если вы не будете пользоваться системой в течение длительного времени или во время грозы.
- Убедитесь, что вы отключаете источник питания, если обнаружена неправильная работа системы, система издает необычные звуки, запах, выделяет дым или внутрь ее попала жидкость. Проведите квалифицированный технический осмотр системы.
- Прибор разработан так, чтобы отрицательный вывод аккумулятора был подключен к корпусу транспортного средства. Пожалуйста, убедитесь в этом перед установкой.
- Не позволяйте проводам динамиков касаться друг друга при включении прибора. В противном случае, может быть перегружен или выйти из строя усилитель питания.

- Не устанавливайте съемную панель перед подключением кабеля.

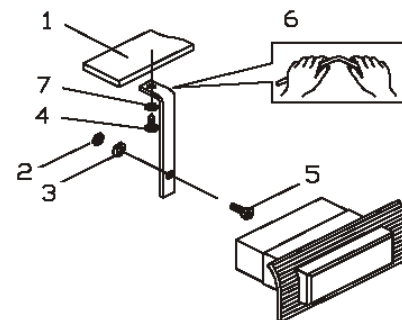
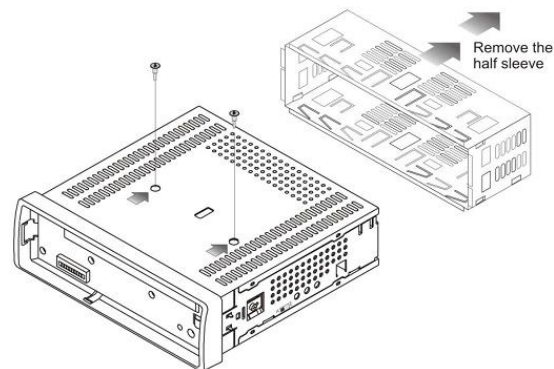
Установка/ подключение

Внимание: ПЕРЕД ПОДКЛЮЧЕНИЕМ НЕОБХОДИМО УДАЛИТЬ ДВА CD ДЕРЖАТЕЛЯ ИЗ ВЕРХНЕЙ ЧАСТИ УСТРОЙСТВА.

Первый вариант установки

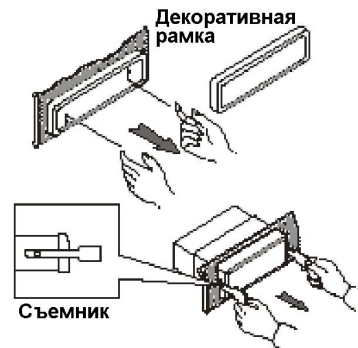
После установки кожуха автомагнитолы в приборную панель автомобиля выберите на кожухе те металлические язычки, которые соответствуют толщине приборной панели, и отогните их, чтобы зафиксировать кожух на месте.

1. Приборная панель автомобиля
2. Гайка (5 мм)
3. Пружинная шайба
4. Винт (5 x 25 мм)
5. Винт
6. Металлическая планка
7. Плоская шайба



Снятие магнитолы

- Вставьте пальцы в выемки на передней стороне рамки и вытяните рамку на себя. (При установке декоративной рамки на место направьте сторону с выемками вниз и установите рамку.)
- Вставьте съемники, входящие в комплект магнитолы, в пазы на обеих сторонах устройства, как показано на рисунке, чтобы они зафиксировались со щелчком.



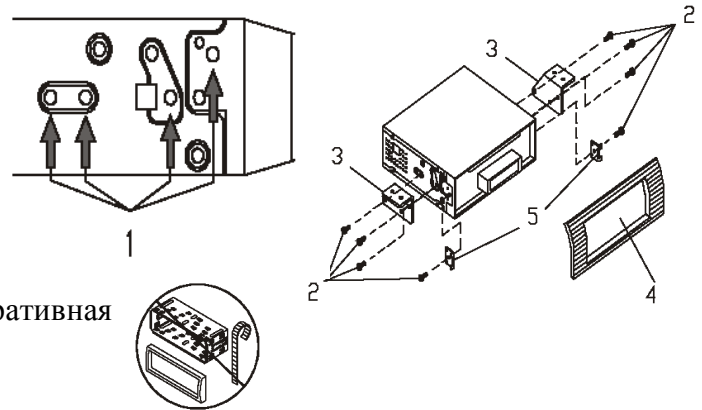
Для того, чтобы вынуть магнитолу из приборной панели автомобиля, потяните за съемники на себя.

Второй вариант установки

Данный вариант установки предусматривает использование резьбовых отверстий, которые находятся на боковых панелях магнитолы.

Закрепите магнитолу на крепежных кронштейнах штатного радиоприемника.

1. Выберите положение кронштейнов, при котором будут совмещены резьбовые отверстия на кронштейнах и резьбовые соединения на корпусе магнитолы. Закрепите кронштейны с обеих сторон магнитолы не менее чем в двух местах. Для этого используйте либо крепежные винты (5 x 8 мм), либо винты с потайной головкой (4 x 8 мм), в зависимости от типа резьбовых отверстий на кронштейне.
2. Винт.
3. Крепежные кронштейны штатного радиоприемника.
4. Приборная панель или консоль автомобиля.
5. Скоба (необходимо удалить).



Примечание:

При установке магнитолы по второму методу кожух, декоративная внешняя рамка и металлическая планка не используются.

Съемная панель

Снятие съемной панели

- Выключите питание устройства.
- Нажмите на кнопку снятия панели REL (рис. 1).
- Снимите съемную панель (рис. 2).



Рис. 1

Рис. 2

Подсоединение съемной панели

- Держите панель так, чтобы ее лицевая сторона была направлена на Вас, и установите левую сторону кронштейна панели (рис.3).
- Нажмите на правую сторону панели, чтобы она защелкнулась (рис. 4).
- Проверьте, что панель закреплена. Сделайте это сразу же, а не перед началом работы.

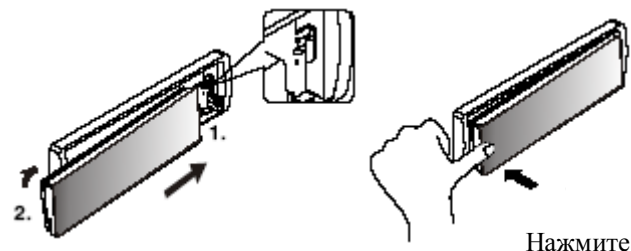


Рис. 3

Рис. 4

Внимание:

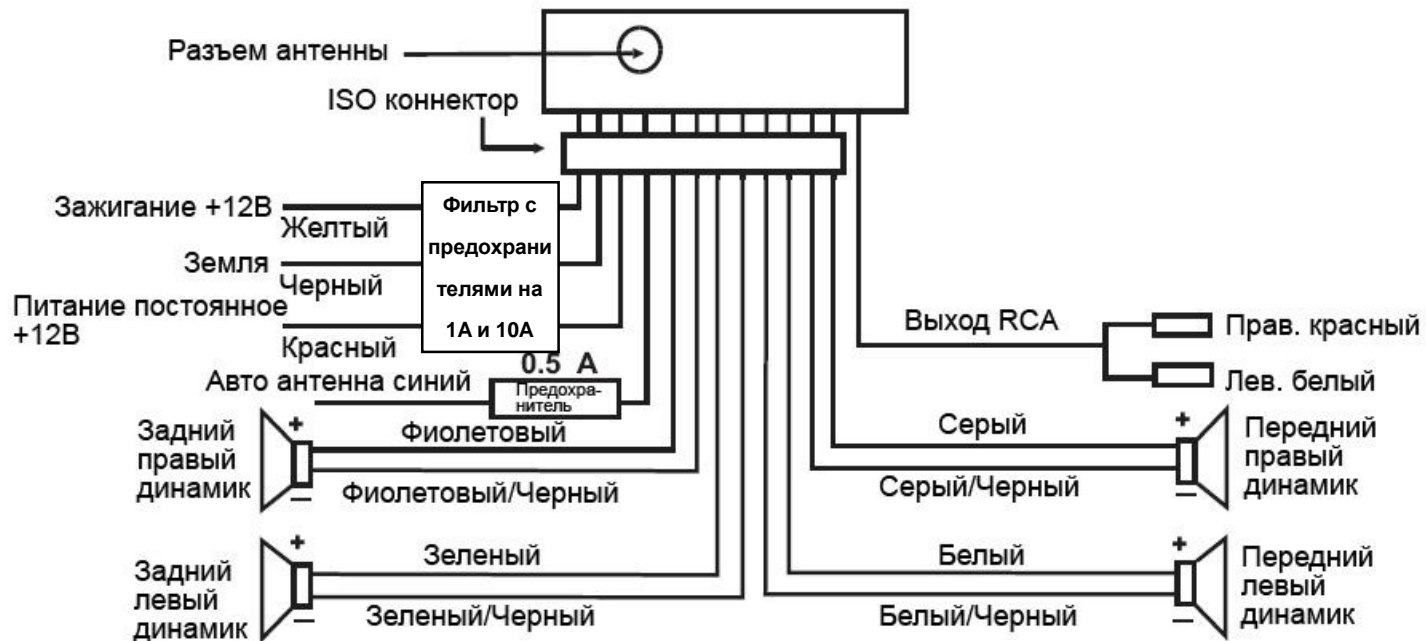
НЕ устанавливайте съемную панель правой стороной. Это может повредить ее.

Панель может повредиться из-за внешних факторов: тряски, ударов. После снятия ее с устройства держите панель в защитном футляре и старайтесь не ронять и не наносить физических повреждений.

Очень важным элементом является коннектор на задней части панели. Не нажимайте на нее ногтями, ручками, отвертками.

Если панель загрязнилась или запылилась, протрите ее сухой чистой тканью. Для чистки разъема в задней части панели используйте тампон, смоченный изопропиловым спиртом.

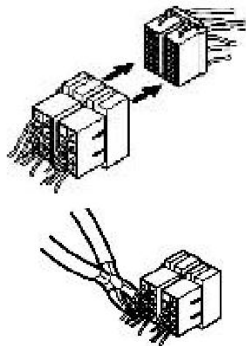
Схема электрических соединений



Не меняйте соединение красного и желтого проводов!!!

Для некоторых моделей необходимо будет изменить соединение проводов питания. Перед установкой свяжитесь с Вашим региональным дилером.

Использование разъема ISO

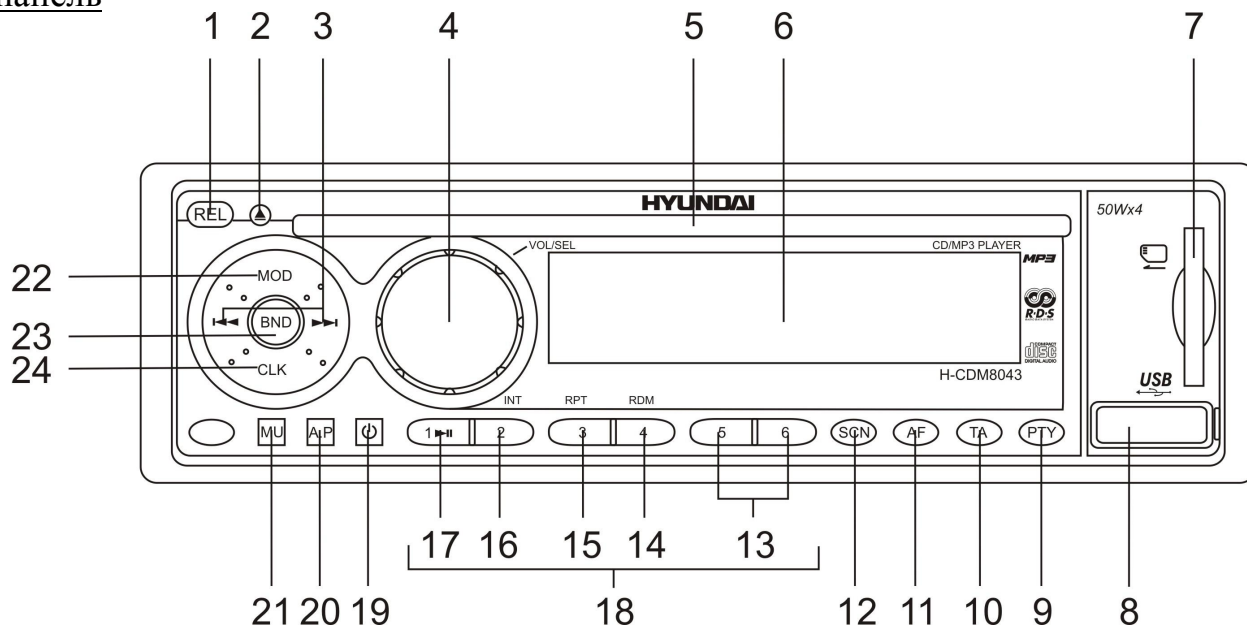


1. Если в Вашем автомобиле есть разъем ISO, произведите подключение, как показано на рисунке.
2. Для подключений без разъемов ISO внимательно проверьте все провода перед подключением, неправильное подключение может привести к повреждениям изделия.
Обрежьте разъем, подключите цветные головки разъема к шнуру питания батареи в соответствии с приведенной таблицей.

Номер	Функция	
	Разъем А	Разъем В
1		Задний правый(+)--Фиолетовый
2		Задний правый(--Фиолетовый/Черный
3		Передний правый(+)--Серый
4	Питание 12В (+)/желтый	Передний правый(--Серый/Черный
5	Авто антенна /синий	Передний левый(+)--Белый
6		Передний левый(--Белый/Черный
7	АСС+/красный	Задний левый(+)--Зеленый
8	Земля/черный	Задний левый(--Зеленый/Черный

Органы управления

Передняя панель



1. Кнопка REL
Нажмите на кнопку, чтобы снять панель.
2. Кнопка EJECT
Нажмите на кнопку, чтобы вынуть диск.
3. Кнопки ПРЕДЫДУЩИЙ ◀◀ / СЛЕДУЮЩИЙ ▶▶
Нажимайте на кнопки для поиска радиостанций; перехода к началу следующего или предыдущего трека; ускоренного просмотра вперед или назад.
4. Регулятор громкости VOLUME, кнопка выбора настроек SEL
Вращайте регулятор громкости, чтобы настроить уровень громкости.

Нажмите на него, чтобы отрегулировать настройки: TA, PI, RETUNE, MASK, BEEP, SEEK, DSP, LOUD, STEREO, DX/LOCAL, VOL, ESP.

5. Разъем для диска
6. Жидкокристаллический дисплей.
7. Слот для SD/ MMC карт
8. Разъем USB
9. КнопкаPTY

Нажмите на кнопку, чтобы начать поиск транслируемых передач.

10. Кнопка TA
Нажмите на кнопку, чтобы включить функцию TA (дорожных объявлений).
11. Кнопка AF
Нажмите на кнопку, чтобы включить функцию AF (альтернативных частот).

12. Кнопка SCN
Используйте эту кнопку для сканирования радио станций в каждом диапазоне.

13. Кнопки с цифрами 5, 6
Используйте эти кнопки для прокрутки на 10 треков вперед/ назад.

14. Кнопка RDM
Нажмите на эту кнопку, чтобы начать случайное воспроизведение треков.

15. Кнопка RPT
Используйте эту кнопку для повторного воспроизведения текущего трека/ всех треков в папке.

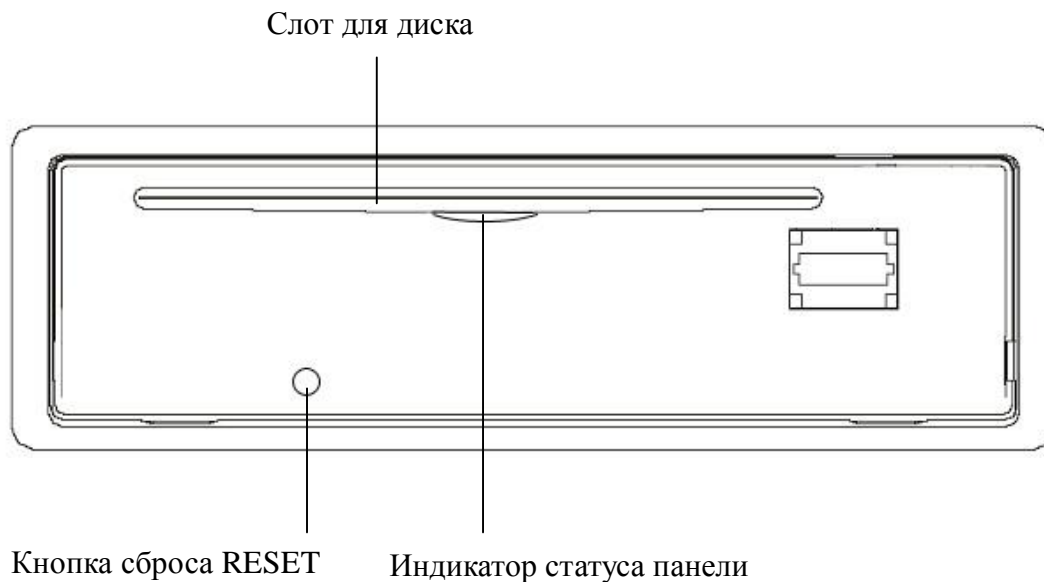
16. Кнопка INT (воспроизведение первых 10 секунд треков)
Нажмите на эту кнопку, чтобы включить функцию Intro. Только первые 10 секунд каждого трека будут воспроизводиться.

17. Кнопка PLAY/ PAUSE
Нажмите на эту кнопку, чтобы начать воспроизведение или поставить его на паузу (нажмите еще раз, чтобы продолжить воспроизведение).

18. Кнопки предварительной установки радио станций [1-6]
19. Кнопка POWER
Нажмите на кнопку POWER, чтобы включить питание устройства. Нажимайте на кнопку еще раз, чтобы выключить его.
20. Кнопка A.P
В режиме радио нажмите на эту кнопку, чтобы прослушать по 5 секунд каждую записанную в память станцию. В режиме SD/MMC/USB нажмите на кнопку, чтобы начать поиск по трекам или директориям.
21. Кнопка MU
Нажмите на кнопку, чтобы выключить звук. Нажмите снова, чтобы вернуть звук на прежний уровень.
22. Кнопка MOD
Нажмите на кнопку, чтобы выбрать режим воспроизведения или радио.
23. Кнопка BND
Нажмите кнопку BND для установки диапазона радиоприемника.
24. Кнопка CLK
Нажмите на эту кнопку, чтобы настроить время или в режиме SD/MMC/USB отобразить время на дисплее.

Обратная сторона передней панели

Нажмите на кнопку REL чтобы откинуть панель и нажмите EJECT чтобы вынуть диск.



Внимание: При нажатии на кнопку RESET все настройки и станции будут удалены из памяти устройства.

Когда Вы опускаете панель, индикатор статуса панели засветится, при удалении панели индикатор начнет мигать.

Основные операции

Кнопка RESET (сброс)

Нажмите на панели на кнопку REL. Панель откроется. Нажмите с помощью острого предмета на кнопку сброса RESET, расположенную за передней внутренней панели.

Эта мера необходима в следующих ситуациях: исходная установка устройства после подключения, никакие кнопки не действуют, символы ошибок появляются на дисплее.

Кнопка включения

Нажмите на любую кнопку панели, за исключением кнопок REL и EJECT или вставьте диск или SD/MMC/ USB устройство, чтобы включить питание магнитолы. Нажмите на кнопку POWER и удерживайте около 1 секунды, чтобы выключить устройство.

Внимание: Когда Вы выключаете систему или зажигание автомобиля, громкость звука и радио настройки будут сохранена в памяти устройства, и при включении установки вернуться к сохраненным значениям.

Кнопки регулирования звука

Регулировка громкости

Поворачивайте регулятор громкости, чтобы отрегулировать громкость.

Регулировка настроек аудио

Нажимайте на кнопку SEL (регулятор громкости), чтобы выбрать одну из настроек аудио: VOL (громкость), BAS (низкие частоты), TRB (высокие частоты), BAL (баланс левые/ правые динамики), FAD (баланс задние/ передние динамики). Затем вращайте регулятор громкости, чтобы отрегулировать каждую настройку.

Внимание:

- При выключении устройства все настройки будут сохранены.

- При отключения устройства от сети все настройки вернуться к заводским.
- Если при выборе какой-либо настройки Вы в течение 3 секунд ее не регулируете, устройство вернется к текущему режиму, отображаемому на дисплее.

Регулировка других настроек

Во время прослушивания радио нажмите и удерживайте в течение 2 секунд кнопку SEL, чтобы выбрать настройку TA, затем последовательно нажимайте на кнопку SEL, чтобы выбрать другие настройки: PI, RETUNE, MASK, BEEP, SEEK, DSP, LOUD, STEREO, DX/LOCAL, VOL.

а. Режим TA (программы о дорожном движении)

Функция TA определяют поведение радиоприемника при включенном режиме TA, если отсутствует передача информации TP (программа движения) радиостанцией, на которую в данный момент настроен радио приемник. Вращайте регулятор громкости, чтобы выбрать один из режимов: TA SEEK или TA ALARM.

- TA SEEK: Если радиоприемник настраивается на радиостанцию, которая не передает информацию TP (Traffic Program – программы с информацией о дорожном движении) в течение определенного времени - RETUNE SHORT (60 секунд) или RETUNE LONG (90 секунд), радиоприемник перенастраивается на следующую станцию, которая не имеет тот же PI (код идентификации программы), что и предыдущая радиостанция, но передает информацию TP.
- TA ALARM: Когда выбран данный режим, функция автоматической перенастройки радиоприемника не работает. Вместо этого радиоприемник включает звуковое оповещение.

б. Режим PI

Когда для какой-либо станции включен режим, разрешающий переключение на альтернативную частоту (AF), радиоприемник может переключиться на эту частоту, которая занята другой радиостанцией с другим значением PI, но с той же AF.

Если автомобиль перемещается в критической зоне, может появиться эффект частого переключения между двумя разными радиостанциями. Радиоприемник CD-ресивера имеет специальную процедуру, направленную на снижение данного эффекта.

- PI SOUND

Когда происходит частое переключение между двумя радиостанциями, то звук этих станций будет одновременно звучать в течение 1 секунды.

- PI MUTE

В аналогичной ситуации звук будет приглушен на 1 секунду.

в. Режим RETUNE

Retune-S или Retune-L – это выбор временного интервала повторного поиска в режиме TA Seek.

- Retune S: короткий, интервал поиска в режиме TA SEEK 30 секунд.

- Retune L: длинный, интервал поиска в режиме TA SEEK 90 секунд.

Замечание: Режим Retune для режима TA активен только для TA SEEK.

г. Режим MASK

Если автомобиль перемещается в критической зоне, может появиться эффект частого переключения между двумя разными радиостанциями. Радиоприемник CD-ресивера имеет специальную процедуру, направленную на снижение данного эффекта.

Радиоприемник в таком случае прекращает искать альтернативную частоту AF в течение некоторого времени. В этой ситуации радиоприемник будет маскировать сигнал ошибочно принимаемой радиостанции, в зависимости от выбранного режима: MASK DPI или MASK ALL.

Вращайте регулятор громкости на панели, чтобы выбрать один из режимов:

- MASK DPI:

Маскирует только альтернативные частоты с разными информационными программами.

- MASK ALL:

Маскирует и информационные программы, и станции, не поддерживающие RDS.

д. Режим BEEP

У функции звукового сопровождения есть 3 режима:

- BEEP 2nd: звуковое сопровождение срабатывает при нажатии на двойную кнопку.

- BEEP ALL: включает звуковые сигналы при нажатии на любую кнопку.

- BEEP OFF: выключает звуковые сигналы.

е. Функция поиска радио станции SEEK

Вы можете выбрать один из следующих режимов поиска:

- SEEK 1: Нажимайте на кнопки поиска радио станций (◀◀/ ▶▶), чтобы начать пошаговый поиск радио станций и остановиться в любой момент, когда Вам понадобится.
- SEEK 2: Нажмите и удерживайте кнопки поиска радио станций (◀◀/ ▶▶), чтобы начать поиск радио станций до тех пор, пока Вы не отпустите кнопку. При этом радио остановится только тогда, когда радио станция с четким сигналом будет найдена.

ж. Режим DSP (установка эквалайзера)

Эквалайзер имеет следующие режимы: OFF (DSP выключен) => FLAT => POP M => CLASSICS => ROCK.

з. Режим LOUD

Этот режим позволяет изменять уровень басов. Выберите одну из настроек: LOUD ON, LOUD OFF.

и. Режим STEREO

Эта функция позволяет выбирать режимы: MONO, STEREO. В режиме MONO прием сигнала с дальних станций будет лучше.

к. Режим LOCAL/ DISTANT

Эта функция позволяет выбирать режимы LOCAL и DISTANT (DX) (режим местной или удаленной чувствительности тюнера).

л. Режим VOL

Выберите режим VOL LAST/ ADJUST.

м. Режим ESP (электронная система стабилизации)

Электронная система стабилизации необходима при движении по неровной дороге.

Вы можете выбрать количество секунд, необходимых для системы:

- ESP 40 секунд: для дороги с обычным покрытием.
- ESP 120 секунд: для экстремальных условий поездки.

Выключение звука

Нажмите на кнопку MU, чтобы выключить звук. Нажмите на кнопку еще раз или нажимайте на кнопки MODE, BAND или вращайте регулятор громкости, чтобы включить звук.

Настройка режима

Нажмите на кнопку MOD, чтобы выбрать режим радио (RADIO), режим воспроизведения дисков (DISC), SD/ MMC карты (CARD) или режим воспроизведения с USB носителя (USB).

При выборе режима радио RADIO, нажимайте на кнопку BND, чтобы выбрать диапазон: FM 1, FM 2, FM 3, AM 1, AM 2.

Операции с дисплеем

Нажимайте на кнопку CLK, чтобы на дисплее появилась следующая информация:

- При приеме RDS станций: НАЗВАНИЕ ПРОГРАММЫ => ВРЕМЯ => ЧАСТОТА => ТИП ПРИНИМАЕМОЙ ПРОГРАММЫ.
- В режиме CD/SD/MMC/USB: ВРЕМЯ.
- При приеме станций, не передающих RDS: ЧАСТОТА => ВРЕМЯ => ТИП ПРИНИМАЕМОЙ ПРОГРАММЫ.

Каждый раз информация будет исчезать через 5 секунд.

Установка часов

Нажмите и удерживайте кнопку CLK, на дисплее замигает время. Вращайте регулятор громкости, чтобы настроить время.

Цифровой тюнер

Внимание: Сервис RDS (Система радио данных) доступен не во всех регионах. Имейте в виду, что если услуга RDS не доступна в Вашем регионе, то данная функция не будет работать.

Выбор диапазона

Нажмите на кнопку POWER, чтобы включить устройство. Нажмите на кнопку MOD, чтобы выбрать режим радио RADIO.

Нажимайте на кнопку BND, чтобы выбрать диапазон: FM1, FM2, FM3, AM1, AM2.

Ручной/ автоматический поиск радиостанций

- Ручной поиск: Нажмите на кнопку **◀◀ / ▶▶**, чтобы вручную уменьшать или увеличивать частоту, при этом поиск будет происходить по наиболее сильным сигналам.
- Автоматический поиск: Нажмите и удерживайте кнопку **◀◀ / ▶▶**, автоматический поиск начнется. Поиск прекратится при приеме первой станции с сильным сигналом, при этом начнется ее воспроизведение. Нажмите и удерживайте еще раз, чтобы найти следующую станцию.

Программирование радио станций

Вы можете хранить и воспроизводить 6 радио станций в каждом из 3 поддиапазонов.

- Чтобы сохранить станцию:
 - Выберите диапазон (если нужно).
 - Выберите станцию при помощи кнопок **◀◀ / ▶▶**.
 - Нажмите и удерживайте в течение двух секунд кнопку с номером 1~6, под которым Вы бы хотели сохранить эту станцию.
- Чтобы вызвать станцию:
 - Выберите диапазон (если нужно).
 - Нажмите на кнопку с номером нужной сохраненной станции 1~6.

ИЛИ:

Во время прослушивания радио нажмите на кнопку **◀◀ / ▶▶**, чтобы переходить от одной сохраненной станции к другой вперед или назад.

Функция A.P (автоматическое сохранение в памяти)

- Прослушивание предустановок: Нажмите на кнопку A.P, чтобы прослушать все сохраненные в текущем диапазоне станции в течение 5 секунд. Во время прослушивания номер каждой станции будет мигать на дисплее. Чтобы остановить прослушивание, снова нажмите на кнопку A.P.
- Автоматическое сохранение: Нажмите и удерживайте A.P более 2 секунд, 6 самых сильных доступных станций будут автоматически сохранены в памяти кнопок 1~6. Чтобы остановить автоматическое сохранение, снова нажмите на кнопку A.P. Когда авто сохранение завершится, начнется автоматическое прослушивание каждой сохраненной станции – по 5 секунд. После этого тюнер переключится на первую сохраненную станцию.

Функция сканирования

Нажмите на кнопку SCN для предварительного сканирования станций одну за другой. Как только тюнер найдет сильный сигнал, сканирование приостановится на 5 секунд, в течение которых значение частоты будет мигать на дисплее. Затем сканирование продолжится. Нажмите на кнопку SCN еще раз, чтобы остановить сканирование.

Функция AF (Альтернативные частоты)

- Нажмите на кнопку AF, чтобы режим AF стал активным. На дисплее появится надпись AF. В активном режиме AF радио постоянно проверяет силу сигнала альтернативных частот, на которых может транслироваться RDS. Если RDS станция пока не найдена, AF будет мигать.
- Нажмите и удерживайте кнопку AF, чтобы выбрать режим REGION ON или REGION OFF.
 - REGION ON (Включенный региональный режим):
Переключение AF или поиск информационных программ поменяются для станций с тем же

кодом идентификации, что и текущая. На дисплее будет гореть надпись REG ON.

- REGION OFF (Выключенный региональный режим):

Региональный код формата информационной программы при переключении AF или поиске информационных программ игнорируется.

ФункцияPTY (Тип программы)

FM-станции, поддерживающие RDS, передают идентифицирующий сигнал типа программы.

Нажмите на кнопкуPTY один раз, затем при помощи 6 кнопок предварительной установки выберите другой код музыкальной группы.

Нажмите на кнопкуPTY второй раз, затем при помощи 6 кнопок предварительной установки выберите другой код голосовой группы.

Для выбора кодов музыкальных групп используйте таблицу:

Номер кнопки	Музыкальная группа	Голосовая группа
1	POP, ROCK	NEWS, AFFAIRS, INFO
2	EASY, LIGHT	SPORT, EDUCATE, DRAMA
3	CLASSICS, OTHER M	CULTURE, SCIENCE, VARIED
4	JAZZ, COUNTRY	WEATHER, FINANCE, CHILDREN
5	NATION, OLDIES	SOCIAL, RELIGION, PHONE IN
6	FOLK	TRAVEL, LEISURE, DOCUMENT

При включенной функцииPTY приемник начинает поиск соответствующего типа программы. И останавливается, когда программа найдена.

Если в течение 2 секунд ни одна программа не была выбрана, приемник настроится на предыдущую программу. Если за один цикл нужный тип программы не найден, на экране отобразится надпись NOPTY, приемник вернется к обычному приему радио, NOPTY погаснет.

Нажмите на кнопкуPTY еще раз, чтобы выключить функциюPTY.

Функция ТА (поиск программ о дорожном движении)

- Режим ТА: При быстром нажатии на кнопку ТА, режим ТА включается или выключается. При включенном режиме на дисплее появляется “ТА”. Начнется автоматический поиск программ дорожного движения. При этом на дисплее появится надпись ТА SEEK.
 - В режиме CD/ SD/ MMC/ USB приемник временно переключится в режим радио.
 - При приеме программы на станции с расширенным диапазоном приемник временно переключится на эту станцию, на дисплее появится надпись TR.

Внимание: При включении ТА режима если уровень громкости был меньше 20, то при начале прослушивания он станет на уровне 20. Если выше 20, то останется на том же уровне. Когда передача о дорожном движении прекратится, уровень приемник вернется к последней прослушиваемой радио станции, уровень громкости вернется на прежний уровень.

Если Вы регулировали уровень громкости во время приема программы о дорожном движении, то по ее окончании приемник останется на этом уровне.

Функция прерывания программы о дорожном движении: Вы можете прервать прием программы, нажав на кнопку ТА. При этом функция ТА не будет выключена.

- Режим EON-TA LOCAL/ EON-TA DISTANCE: Этот режим позволяет исключить переключение на передачу о дорожном движении, транслируемую станцией с расширенным диапазоном, когда программа была принята с текущей станции, а радио приемник переключился на станцию с расширенным диапазоном, но с нее передача не могла быть принята из-за слишком большой удаленности этой станции. Поэтому приемник переключается обратно на текущую станцию. В этом случае слушатель будет либо слушать неверную передачу, или на время звук будет выключен. Выберите 2 режима: LOCAL и DISTANCE.
 - EON-TA LOCAL:
При этом на дисплее на несколько секунд появится надпись: EON TA LO.
 - EON-TA DISTANCE:
При этом на дисплее на несколько секунд появится надпись: EON TA LO.

Внимание: Режим по умолчанию: DISTANCE. Режим LOCAL работает только для сохраненных станций.

Воспроизведение файлов CD/ MP3/ USB

Загрузка диска

1. Установите диск в слот маркированной стороной вверх.
2. Нажмите на кнопку EJECT, чтобы вынуть диск.

Воспроизведение диска/ USB/ SD/ MMC карты

Когда диск, карта SD/ MMC или USB в устройстве, устройство автоматически переходит в соответствующий режим, на дисплее появляется соответствующая надпись. Начинается автоматическое воспроизведение первого трека на носителе.

Внимание: если SD/ MMC и USB устройство были активированы вместе, магнитола перейдет к режиму того устройства, которое было активировано последним.

Примечания по USB/ SD/ MMC разъемам:

Воспроизведение MP3 файлов с USB карт (флеш-память).

1. Поддержка карт памяти SD/ MMC.
2. Поддержка USB флеш-карты 2в1 (SD/ MMC).
3. Поддержка FAT 12/ FAT 16/ FAT 32
 - FAT 12/ 16 (поддержка 200 папок, 500 файлов),
 - FAT 32 (поддержка 200 папок, 500 файлов).
4. Имя файла: 32 байта/ имя папки: 32 байта.
5. Тэг (id3tag ver 2.0).
 - Имя/ Исполнитель/ Альбом: поддержка 32 байтов.
6. Многофункциональный карт-ридер не поддерживается.
7. Поддержка формата USB 2.0.

Примечание:

USB: Поддержка формата USB 2.0. Емкость: 8 Мб ~ 512 Мб.

SD: Поддержка брендов SD карт памяти: Cannon, Fuji film, Palm, Motorola, Microsoft, IBM, HP, Compaq, Sharp, Samsung, и т. д. Емкость: 8 Мб ~ 512 Мб

MMC: Поддержка брендов MMC карт памяти : Ericsson, Nokia, Motorola, HP, Palm, Sanyo, Microsystems, и т.д. Емкость: 16 Мб ~ 512 Мб

Пауза

Когда диск, карта SD/ MMC или USB в устройстве, начинается автоматическое воспроизведение первого трека на носителе. Нажмите на кнопку PLAY/ PAUSE во время воспроизведения, режим паузы активируется. Нажмите на кнопку PLAY/ PAUSE еще раз, чтобы продолжить воспроизведение.

Нажмите на кнопку и удерживайте около 1 секунды, чтобы начать воспроизведение самого первого трека на носителе.

Переход к предыдущему или следующему треку

1. Нажмите во время воспроизведения на кнопку **◀◀**, воспроизведение начнется с начала текущего трека. Нажмите еще раз, чтобы начать воспроизведение предыдущего трека.
2. Нажмите во время воспроизведения на кнопку **▶▶**, воспроизведение начнется со следующего трека.

Ускоренное воспроизведение вперед или назад

Во время воспроизведения нажмите на кнопки **◀◀** или **▶▶**, чтобы начать ускоренное воспроизведение назад или вперед.

Внимание: Во время воспроизведения дисков, когда ускоренное воспроизведение достигает начала следующего трека, возобновляется нормальный режим воспроизведения.

Повтор воспроизведения

1. Во время воспроизведения треков с SD/ MMC/ USB носителя нажмите на кнопку RPT, чтобы начать повторное воспроизведение текущего трека. На дисплее появится надпись M-RPT.
2. Во время воспроизведения треков CD/ MP3/ WMA нажмите на кнопку RPT, чтобы начать повторное воспроизведение текущего трека. На дисплее появится надпись S-RPT.
3. Во время воспроизведения треков нажмите и удерживайте кнопку RPT, чтобы начать повторное воспроизведение треков в текущей папке. На дисплее появится надпись D-RPT.
4. Нажмите на кнопку еще раз, чтобы выключить функцию.

Случайное воспроизведение

1. Во время воспроизведения треков с SD/ MMC/ USB носителя нажмите на кнопку RDM, чтобы начать случайное воспроизведение всех треков. На дисплее появится надпись M-RDM.
2. Во время воспроизведения треков CD/ MP3/ WMA нажмите на кнопку RDM, чтобы начать случайное воспроизведение всех треков. На дисплее появится надпись S-RDM.
3. Во время воспроизведения треков нажмите и удерживайте кнопку RDM, чтобы начать случайное воспроизведение треков в текущей папке. На дисплее появится надпись D-RDM.
4. Нажмите на кнопку еще раз, чтобы выключить функцию.

Функция Intro

Вы можете последовательно воспроизводить начало каждого трека в течение 10 секунд.

1. Во время воспроизведения треков с SD/ MMC/ USB носителя нажмите на кнопку INT, чтобы начать воспроизведение всех треков. На дисплее появится надпись M-INT.
2. Во время воспроизведения треков CD/ MP3/ WMA нажмите на кнопку INT, чтобы начать воспроизведение всех треков. На дисплее появится надпись S- INT.

3. Во время воспроизведения треков нажмите и удерживайте кнопку INT, чтобы начать воспроизведение треков в текущей папке. На дисплее появится надпись D- INT.
4. Нажмите на кнопку еще раз, чтобы выключить функцию.

Ввод номера трека

Используйте цифровые кнопки для ввода номера трека.

Для перехода к предыдущему десятку используйте кнопку 5. Например, если номер текущего трека 32, нажмите на кнопку 5, чтобы перейти к треку №30.

Для перехода к следующему десятку используйте кнопку 6. Например, если номер текущего трека 32, нажмите на кнопку 6, чтобы перейти к треку №40.

Используйте кнопки ◀◀ или ▶▶, чтобы передвигаться на 1 трек вперед или назад.

Функция поиска

- Во время воспроизведения треков с SD/ MMC/ USB носителя нажимайте на кнопку A.P, чтобы выбрать режим TRACK SEARCH (поиск по номеру трека) или DIRECTORY SEARCH (поиск по директориям).
- Во время воспроизведения треков CD/ MP3/ WMA нажимайте на кнопку A.P, чтобы выбрать режим TRACK SEARCH (поиск по номеру трека), CHARACTER SEARCH (поиск по названию трека) или DIRECTORY SEARCH (поиск по директориям).

Поиск по номеру трека (Track search)

В этом режиме на дисплее появится надпись MP3/ WMA T 000 (номер трека), при этом будет мигать первая цифра 0.

1. Вращайте регулятор громкости, чтобы выбрать цифру, соответствующую мигающей (0-9).
2. Нажмите на кнопку SEL, чтобы подтвердить ввод и перейти к следующей цифре. Вращайте регулятор громкости, чтобы выбрать цифру, соответствующую мигающей (0-9).

3. Когда все цифры будут введены, нажмите на кнопку SEL, чтобы начать воспроизведение искомого файла.

Поиск по директориям (Directory search)

В этом режиме на дисплее появится корневая папка (если на носителе нет корневой папки, на дисплее появится “ROOT” (КОРНЕВАЯ ПАПКА)).

1. Вращайте регулятор громкости, чтобы выбрать нужную папку.
2. Нажмите на кнопки **◀◀** или **▶▶**, чтобы выбрать нужный трек в выбранной папке.
3. Нажмите на кнопку SEL, чтобы начать воспроизведение искомого файла.

Поиск по названию трека (Character search)

В этом режиме при воспроизведении файлов с MP3/ WMA диска на экране появится: “A--.....”. Если на диске есть файлы, название которых начинается с буквы A, на экране появится название первого такого файла. В противном случае на дисплее появится надпись NON (нет).

Вращайте регулятор громкости, чтобы выбрать первую букву или цифру названия искомого трека. Затем нажимайте на кнопки **◀◀** и **▶▶**, чтобы выбрать нужный файл, название которого начинается с указанной буквы. Нажмите на кнопку SEL, чтобы начать воспроизведение искомого трека.

Обзор MP3

Замечания по MP3:

- MP3 это краткое обозначение аудио слоя MPEG 3 и относится к стандарту технологии сжатия звука.
- Данное изделие позволяет воспроизводить файлы MP3 на дисках CD-ROM, CD-R или CD-RW.
- Изделие может считывать файлы MP3, записанные в формате, соответствующем ISO 9660. Однако оно не поддерживает данные MP3, записанные методом пакетной записи.
- Изделие не может считывать файлы MP3, которые имеют расширение файла, отличающееся от “.mp3”.

- Если вы воспроизводите не MP3 файл, который имеет расширение “.mp3”, вы можете слышать некоторые шумы.
- В данном руководстве мы рассматриваем файлы, называемые “файлами MP3” и “папкой”, а в технологии PC “дорожкой” и “альбомом” соответственно.
- Максимальное количество уровней директории равно 8, включая корневую директорию. Максимальное количество файлов и папок на диске 256.
- Изделие может не воспроизводить дорожки в последовательном порядке.
- Изделие воспроизводит только аудио треки, если диск содержит как аудио треки, так и файлы MP3.
- При воспроизведении диска 8 килобит или VBR, истекшее время воспроизведения в окне дисплея будет неправильным, а также ознакомительное воспроизведение может не действовать надлежащим образом. VBR: Переменная скорость передачи битов.

Замечание по созданию собственных CD-R или CD-RW, содержащих файлы MP3:

- Для получения высокого качества звука мы рекомендуем преобразовывать файлы MP3 с эталонной частотой 44,1 кГц и фиксированным битрейтом 128 Кбит/сек.
- НЕ сохраняйте более 256 файлов MP3 на диске.
- Для формата, совместимого с ISO 9660, максимально допустимая глубина вложенных папок равняется 8, включая корневую директорию (папку).
- При использовании диска CD-R воспроизведение возможно только для дисков, которые были закончены.
- Убедитесь, что при записи MP3 CD-R или CD-RW были отформатированы как диски данных, а НЕ как аудио диски.
- Вы не должны записывать не-MP3 файлы или ненужные папки вместе с файлами MP3 на диск, в противном случае потребуется много времени, пока изделие начнет воспроизводить файлы MP3.
- На некоторых CD-R или CD-RW данные могут не быть записаны надлежащим образом в зависимости от качества их производства. В этом случае данные могут быть воспроизведены не надлежащим образом. Рекомендуются диски CD-R или CD-RW высокого качества.

- Имя альбома или композиции может содержать до 16 символов. Необходима версия 1.x ID3TAG.
- Помните, что изделие может не воспроизводить треки в том порядке, в котором они записаны на диске.

Система против кражи

Снятие панели

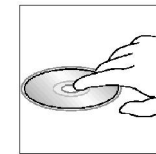
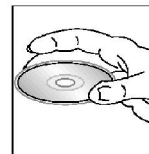
1. Нажмите на кнопку POWER чтобы выключить питание устройства.
2. Нажмите на кнопку REL чтобы снять панель.
3. Держите панель посередине. Сначала снимите один конец, затем другой.
4. Положите панель в специальный футляр и возьмите его с собой, когда будете покидать машину.

Съем изделия

1. Снимите панель.
2. Вставьте два Т-образных ключа в отверстие лицевой стороны, пока не услышите щелчок.
3. Выньте изделие.

Обращение с дисками

- Грязные, поцарапанные или погнутые диски могут вызвать искажение звука или шумы
- Держите диск только за края (как показано на рисунке). Чтобы обеспечить чистоту, не прикасайтесь к его поверхности.
- Диски должны храниться в их чехлах после использования, чтобы не поцарапать их поверхность.
- Не подвергайте диски действию прямого солнечного света, повышенной влажности, повышенным температурам или действию пыли.
- Продолжительное влияние предельных температур может изогнуть диск (например, пребывание дисков в автомобиле в летнее время).
- Не царапайте и не пишите что-либо на любой стороне диска. Острые пишущие инструменты или чернила, используемые в них, могут повредить поверхность диска.
- НЕ ПРИКАСАЙТЕСЬ к стороне, не имеющей маркировки.
- НЕ ПРИКРЕПЛЯЙТЕ какую-либо печать, этикетку или лист предохранения данных к любой стороне диска.



Чистка и уход

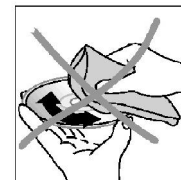
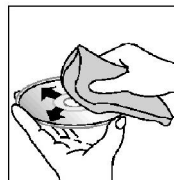
Чистка корпуса

Протирайте мягкой тканью. Если корпус очень загрязнен (не мочите его), используйте ткань, слегка смоченную мыльным раствором, и затем вытрите его сухой тканью.

Чистка дисков

Отпечатки пальцев должны быть тщательно стерты с поверхности диска мягкой тканью. В отличие от обычных пластинок, компакт-диски не имеют канавок для сбора пыли и микроскопических частиц грязи, поэтому осторожно вытирайте их мягкой тканью, чтобы убрать частицы грязи. Вытирайте прямолинейным движением от центра к краю.

Никогда не используйте растворитель, бензин, очиститель пластинок или антистатический аэрозоль для чистки дисков. Такие химические вещества могут повредить его пластиковые поверхности.



Руководство по устранению неисправностей

Неисправность	Причина	Решение
Нет питания	Зажигание машины не включено. Сгорел предохранитель.	Если источник питания подключен надлежащим образом к выключателю машины, установите ключ зажигания в положение “ACC”. Замените предохранитель.
Невозможно загрузить диск	В плеер установлен диск.	Удалите диск из плеера, затем установите новый.
Невозможно считать диск	Диск установлен верхней стороной вниз. Диск загрязнен или имеет дефект. Температура внутри машины очень высокая.	Установите компакт диск стороной с этикеткой вверх. Очистите диск или установите новый. Подождите, пока температура не станет нормальной.
Нет звука	Звук установлен на минимум. Кабель не подключен надлежащим образом.	Отрегулируйте звук до необходимого уровня. Проверьте подключение кабеля.
Не действуют функциональные ключи	Встроенный микрокомпьютер не работает надлежащим образом из-за шумов. Передняя панель не установлена на свое место.	Нажмите кнопку RESET. Повторно установите переднюю панель.
Звук пропадает	Угол установки более 30 градусов. Диск загрязнен или имеет дефект.	Отрегулируйте угол установки, установив его менее 30 градусов. Очистите диск или установите новый.
Радио не работает. Не работает автоматический выбор радиостанции	Антенный кабель не подключен. Сигналы слишком слабы.	Вставьте антенный кабель надежно. Выберите станцию вручную.

Технические характеристики

Общие	
Источник питания:	12 В, постоянное
Потребляемый ток/Предохранитель:	Максимум 10 А/ 10 А
Максимальная выходная мощность:	50 Вт х 4 канала
Размеры (Ш х В х Д):	218 х 83 х 285 мм
Рабочий диапазон температур:	-10°C - +60°C
Сtereo FM радио	
Частотный диапазон:	87.5 - 108.0 МГц
Используемая чувствительность/ Промежуточная частота:	3 мкВ/ 10.7 МГц
Память цифрового тюнера	30 станций
MW радио	
Частотный диапазон:	522-1620 КГц
Аудио	
Максимальный уровень сигнала на выходе:	2 В RMS (+/-3 дБ)
Частотный диапазон:	10 Гц – 20 КГц
Уровень сигнал-шум (A-vtd):	50 дБ
DSP процессор	Classic, Pop, Rock, Flat
Линейный выход	CD макс. 2000 мВ

Технические характеристики могут быть изменены заводом-изготовителем без предварительного уведомления.

Указанные масса и геометрические размеры имеют приблизительные значения.

Free Manuals Download Website

<http://myh66.com>

<http://usermanuals.us>

<http://www.somanuals.com>

<http://www.4manuals.cc>

<http://www.manual-lib.com>

<http://www.404manual.com>

<http://www.luxmanual.com>

<http://aubethermostatmanual.com>

Golf course search by state

<http://golfingnear.com>

Email search by domain

<http://emailbydomain.com>

Auto manuals search

<http://auto.somanuals.com>

TV manuals search

<http://tv.somanuals.com>